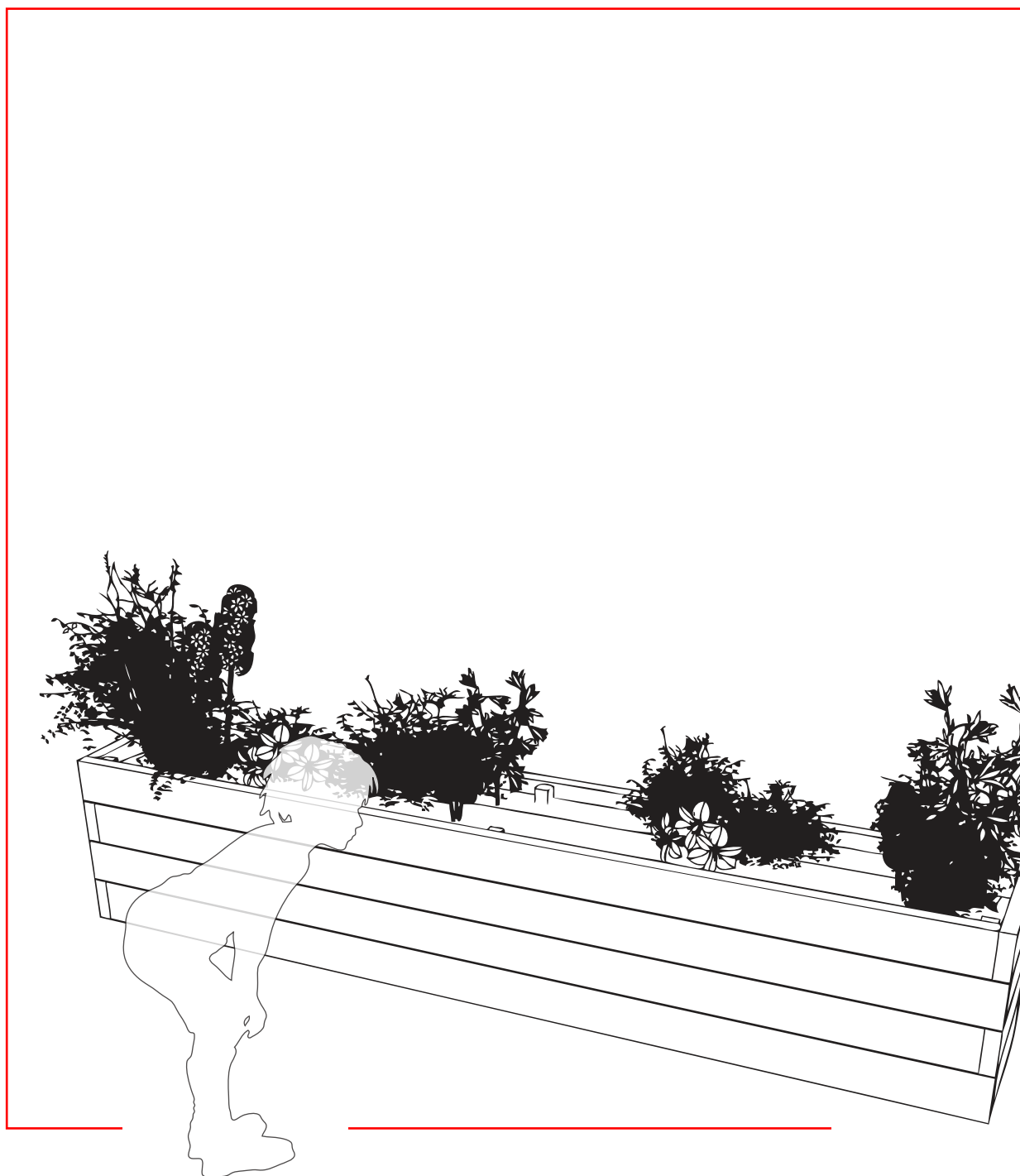


# **TIMBER PLANTER 3m x 0.5m**

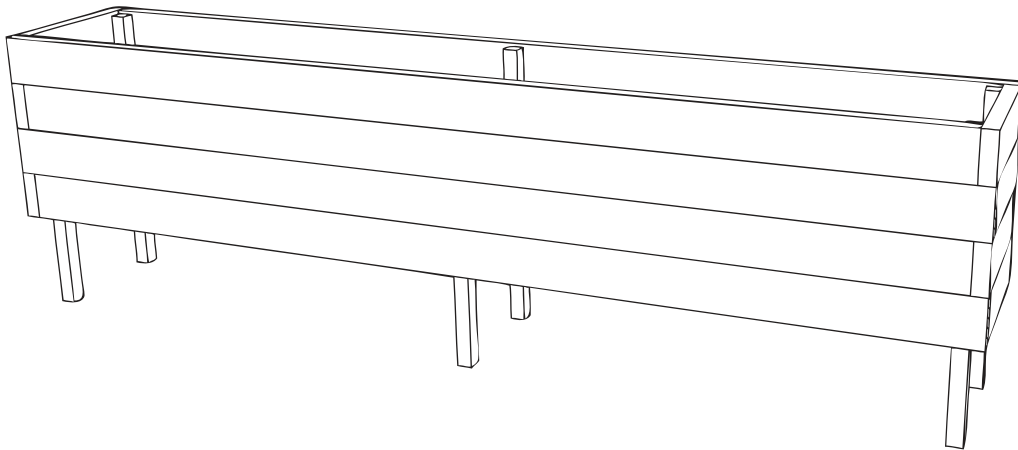
## **Installation Instructions**

**creative  
play**



## ***PARTS required***

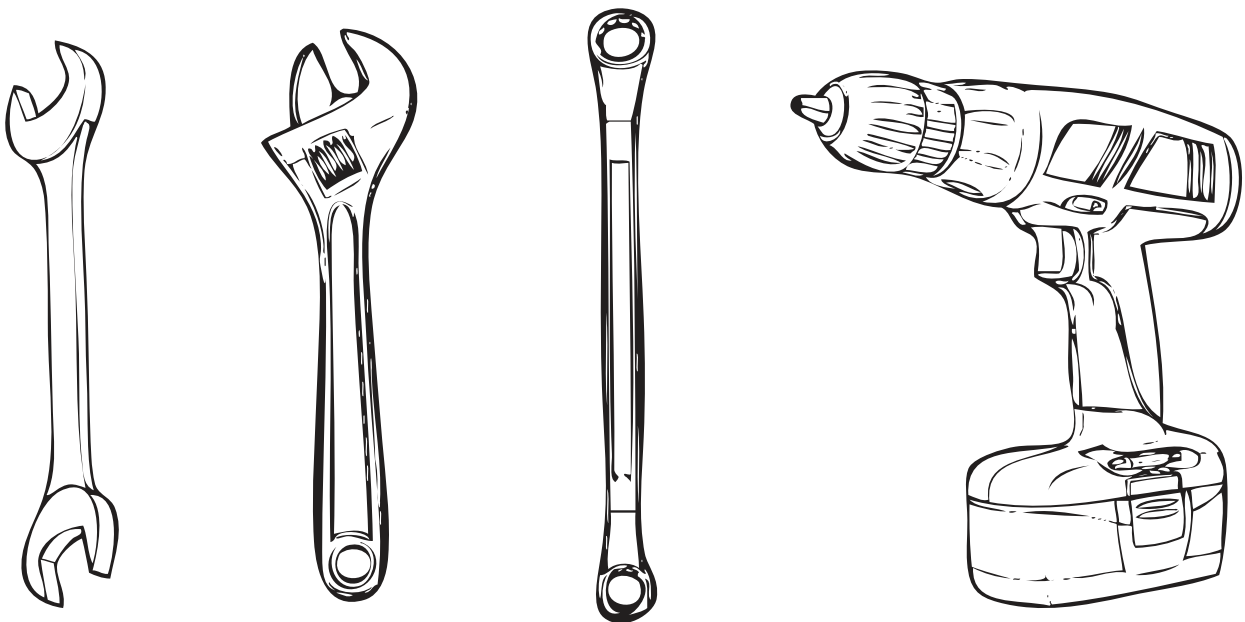
---



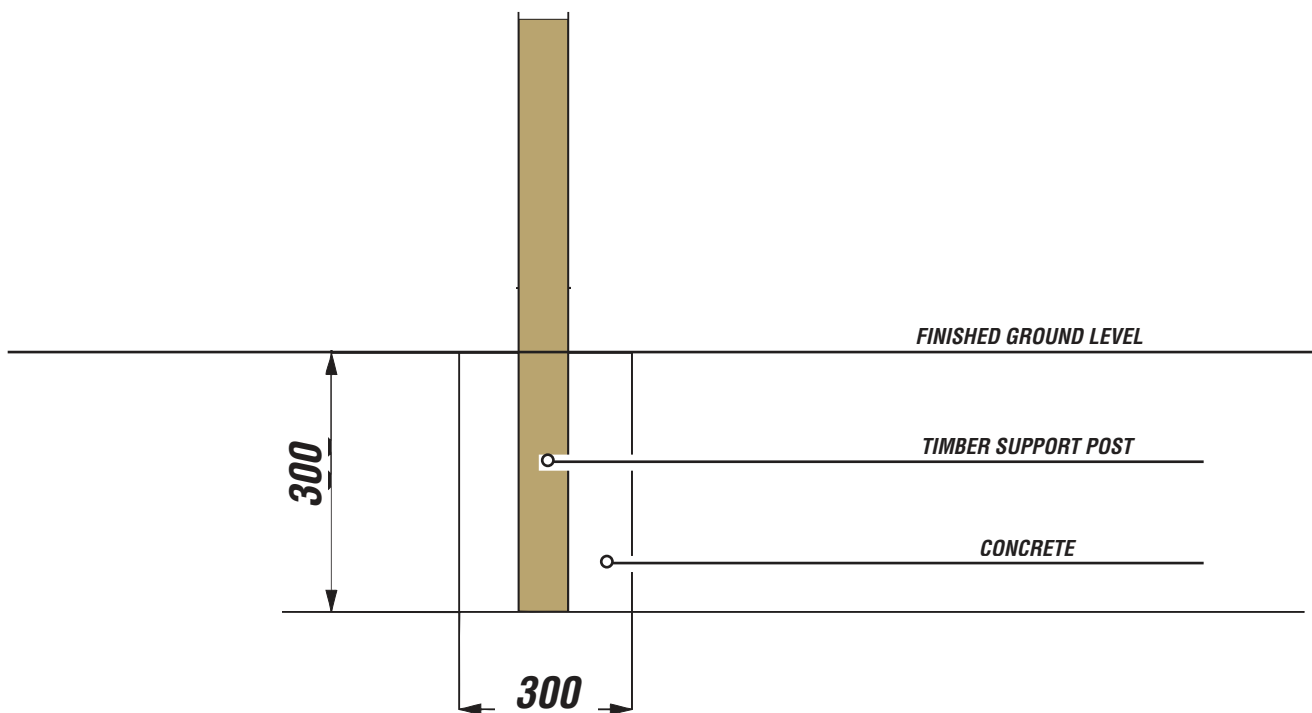
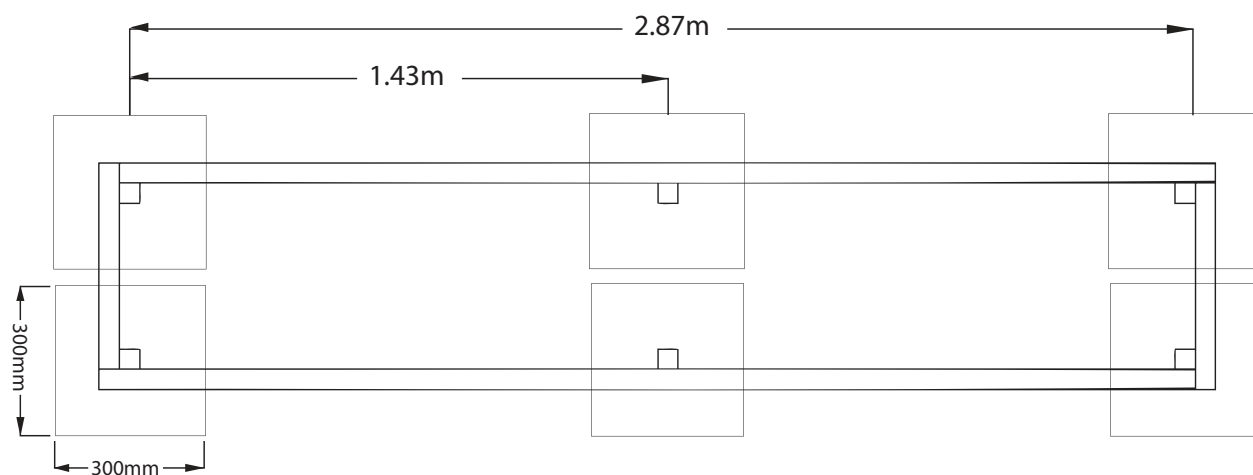
***TIMBER PLANTER 3m X 0.5m***

## ***TOOLS required***

---



# Foundation Details



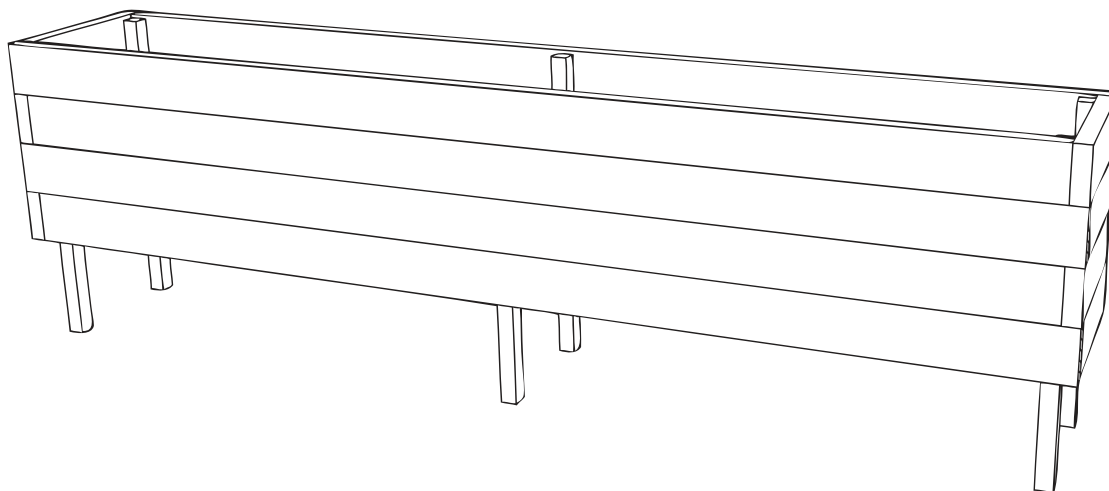
# Installation Instructions

---

**1**

## SET TIMBER PLANTER INTO FOUNDATIONS

AS SHOWN ON FOUNDATION DETAILS PAGE



## Additional Dimensions

---

