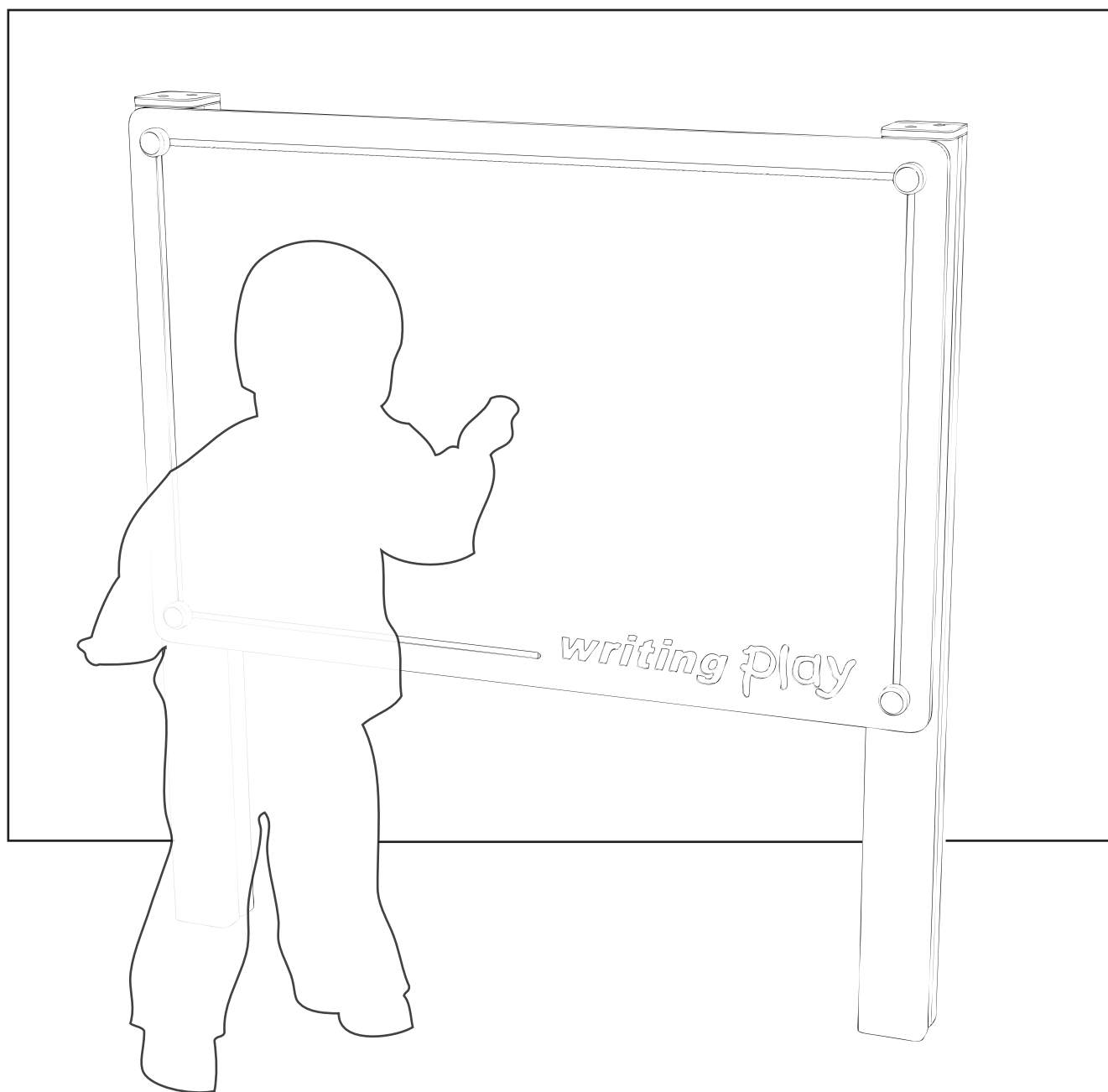


WHITE BOARD

Installation Instructions

**creative
play**



PARTS required



x4 (M12 120 cup square hex)



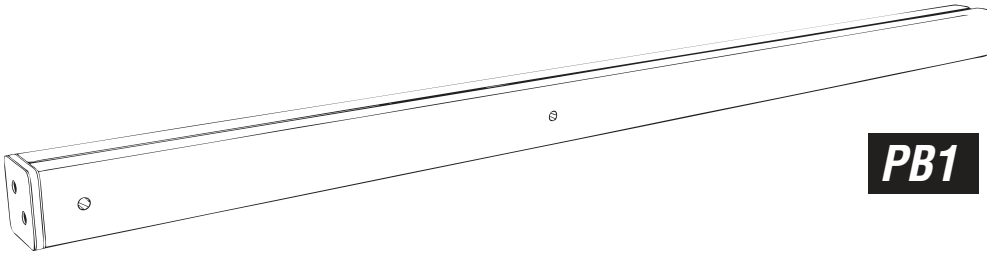
x4 (M12 Nylocs)



x4 (End Caps)

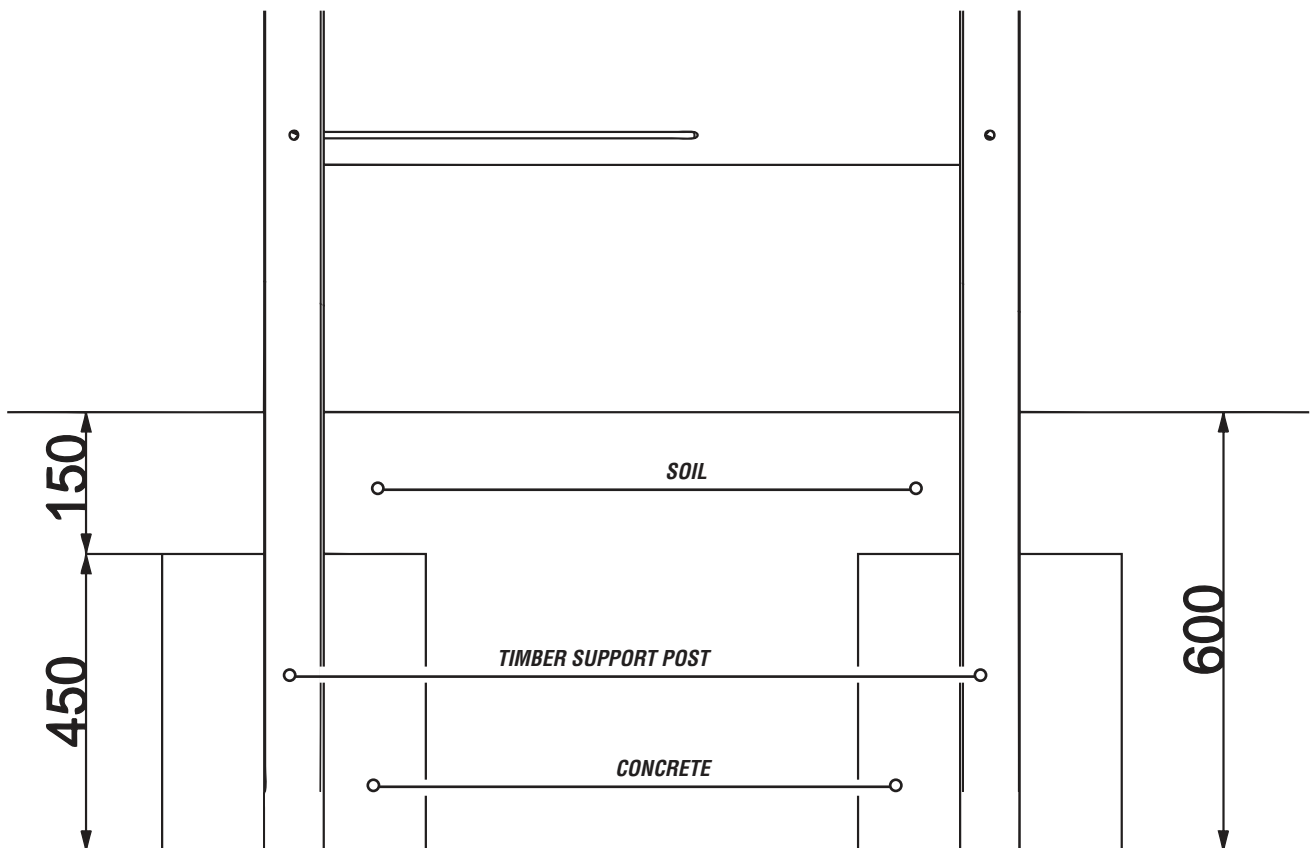
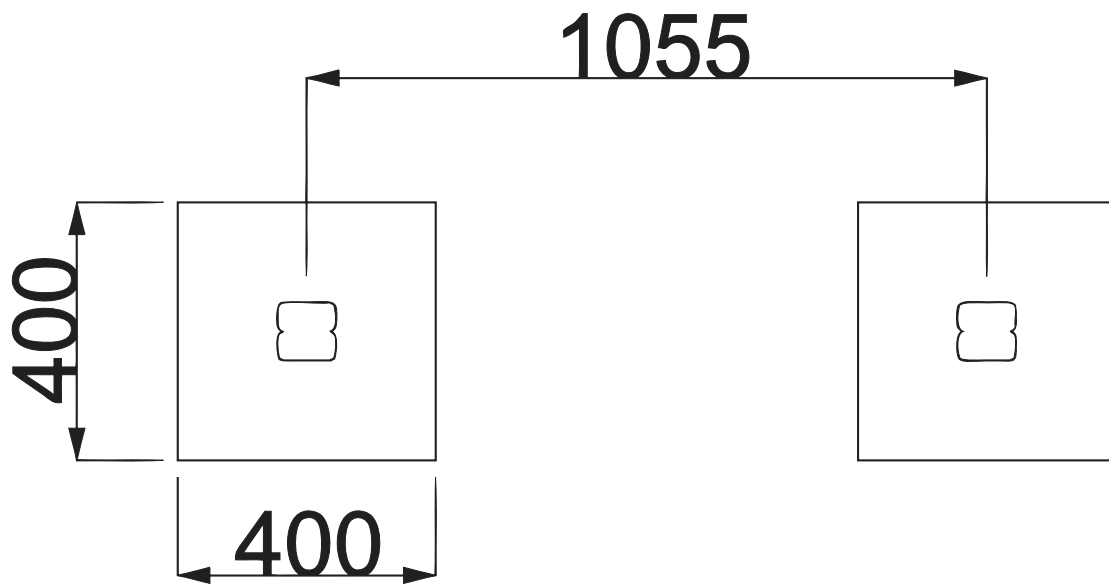


x1 White board



PB1 QTY x 2
(90mm x 90mm)

Foundation Details

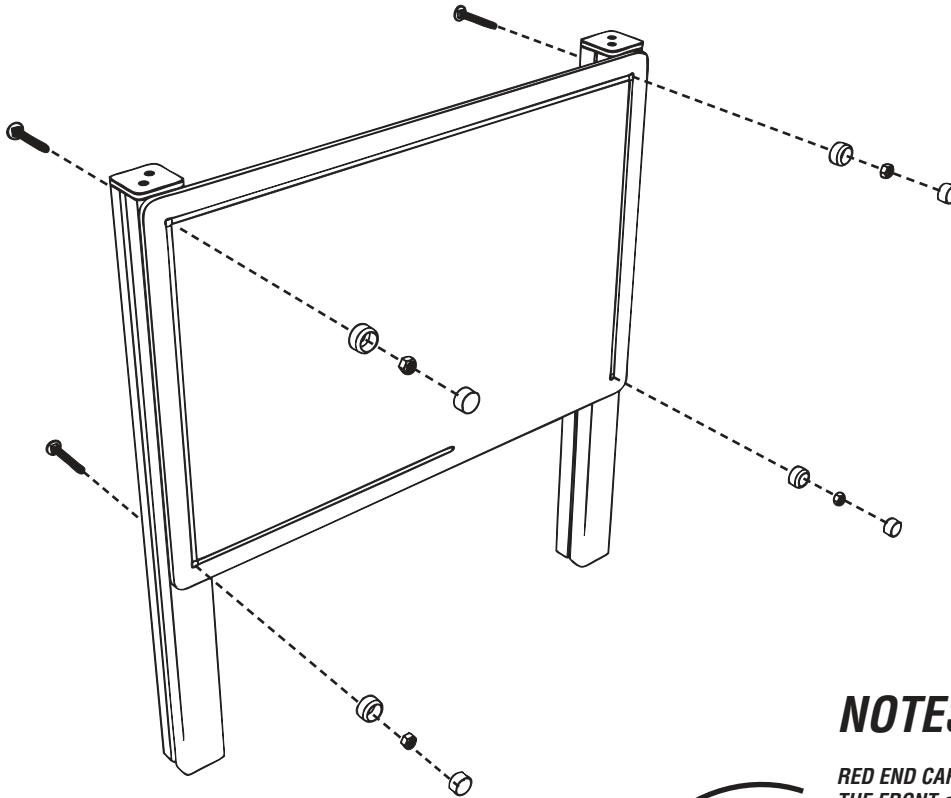


Installation Instructions

1

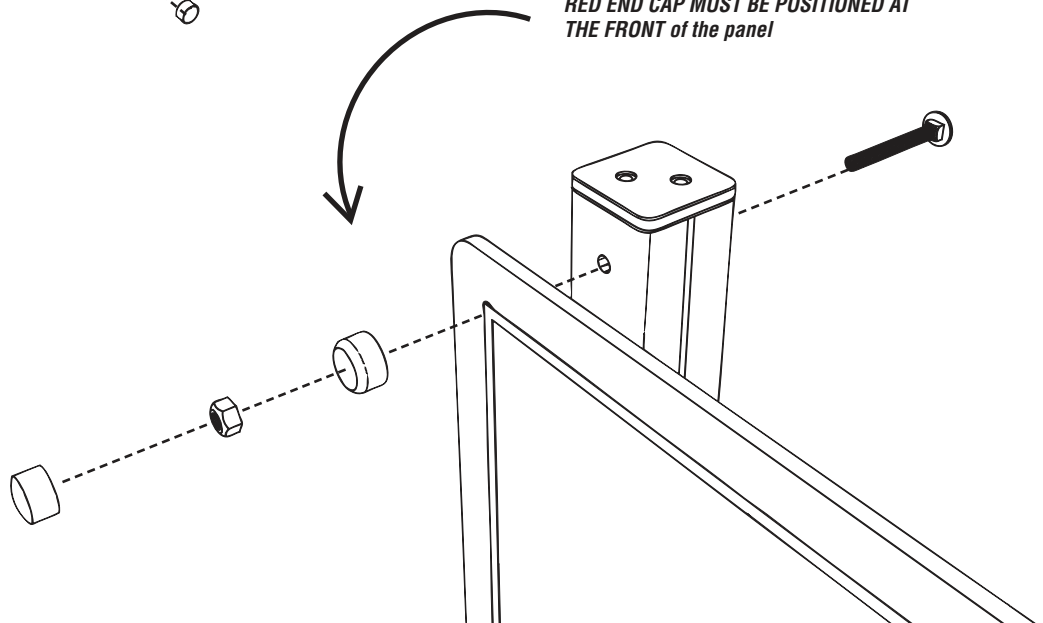
Attach the **WHITE BOARD** to the **PB1** timbers

Using **M12 CUP SQUARE BOLTS / NYLOCS / END CAPS**

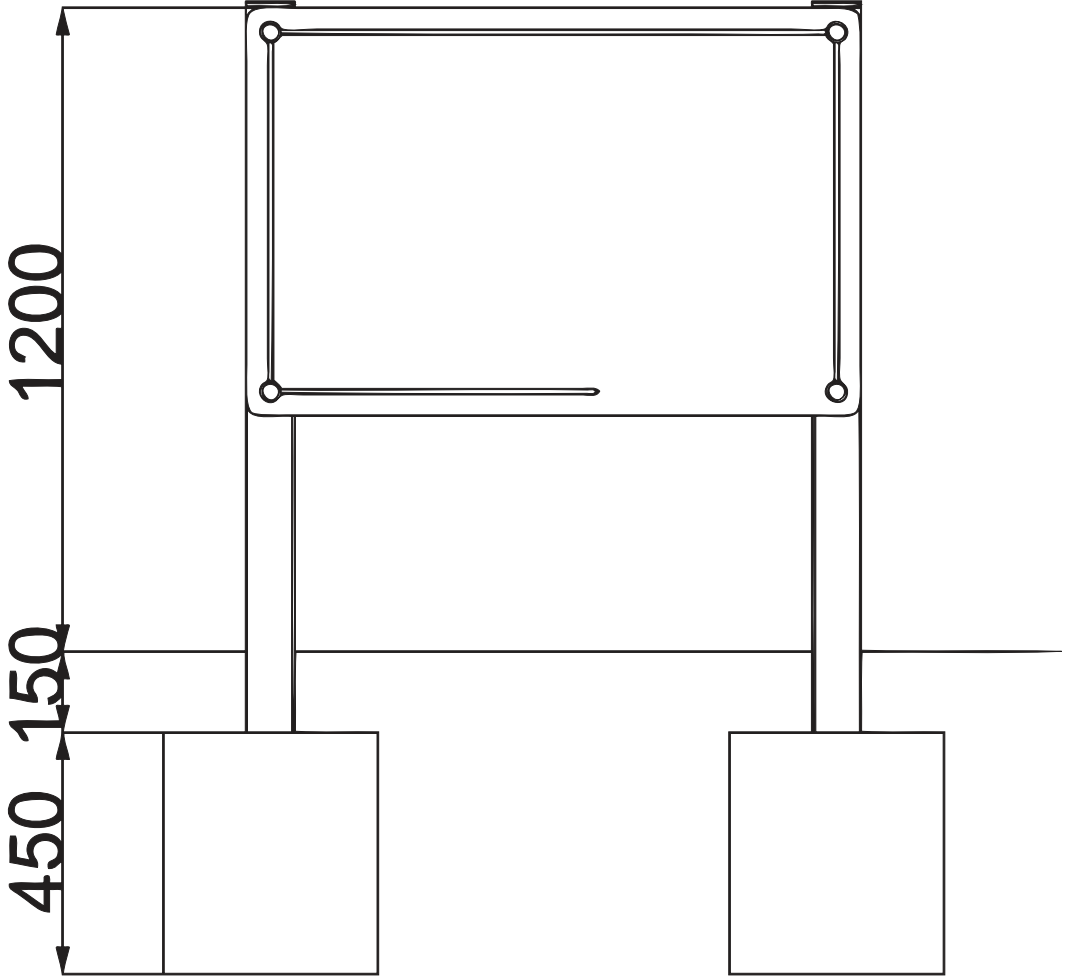


NOTES:

RED END CAP MUST BE POSITIONED AT THE FRONT of the panel

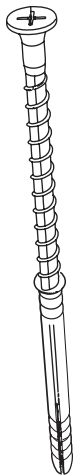
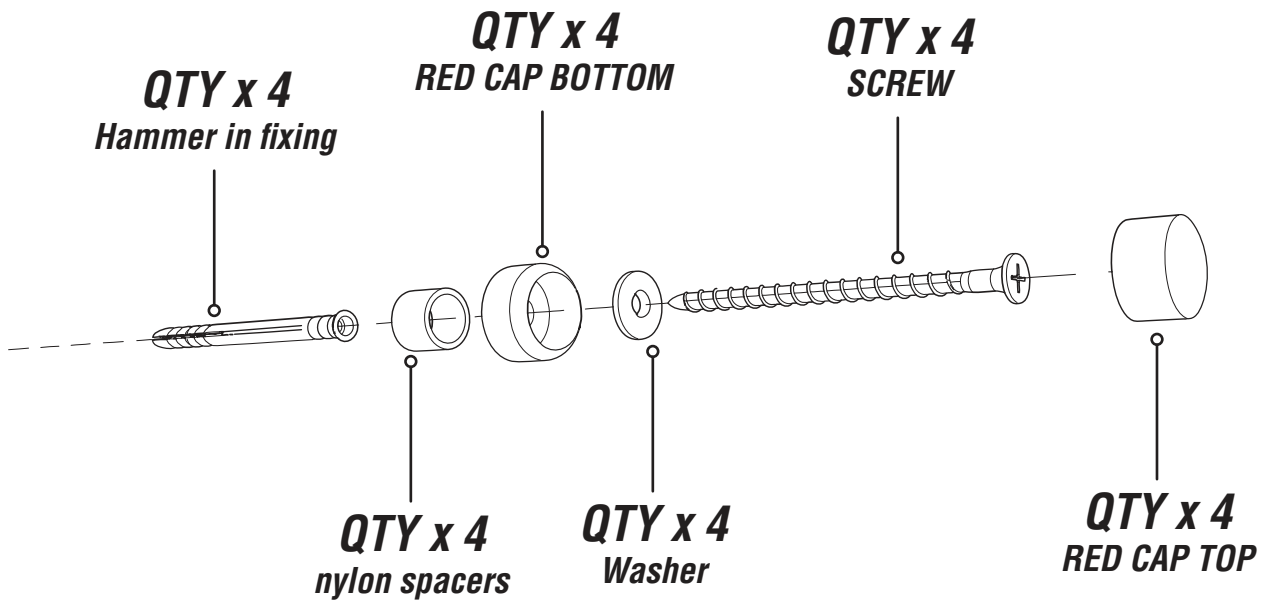


Additional Dimensions



OPTION for wall fixing

PARTS required



NOTES:

*The Hammer in fixing
includes the screw*