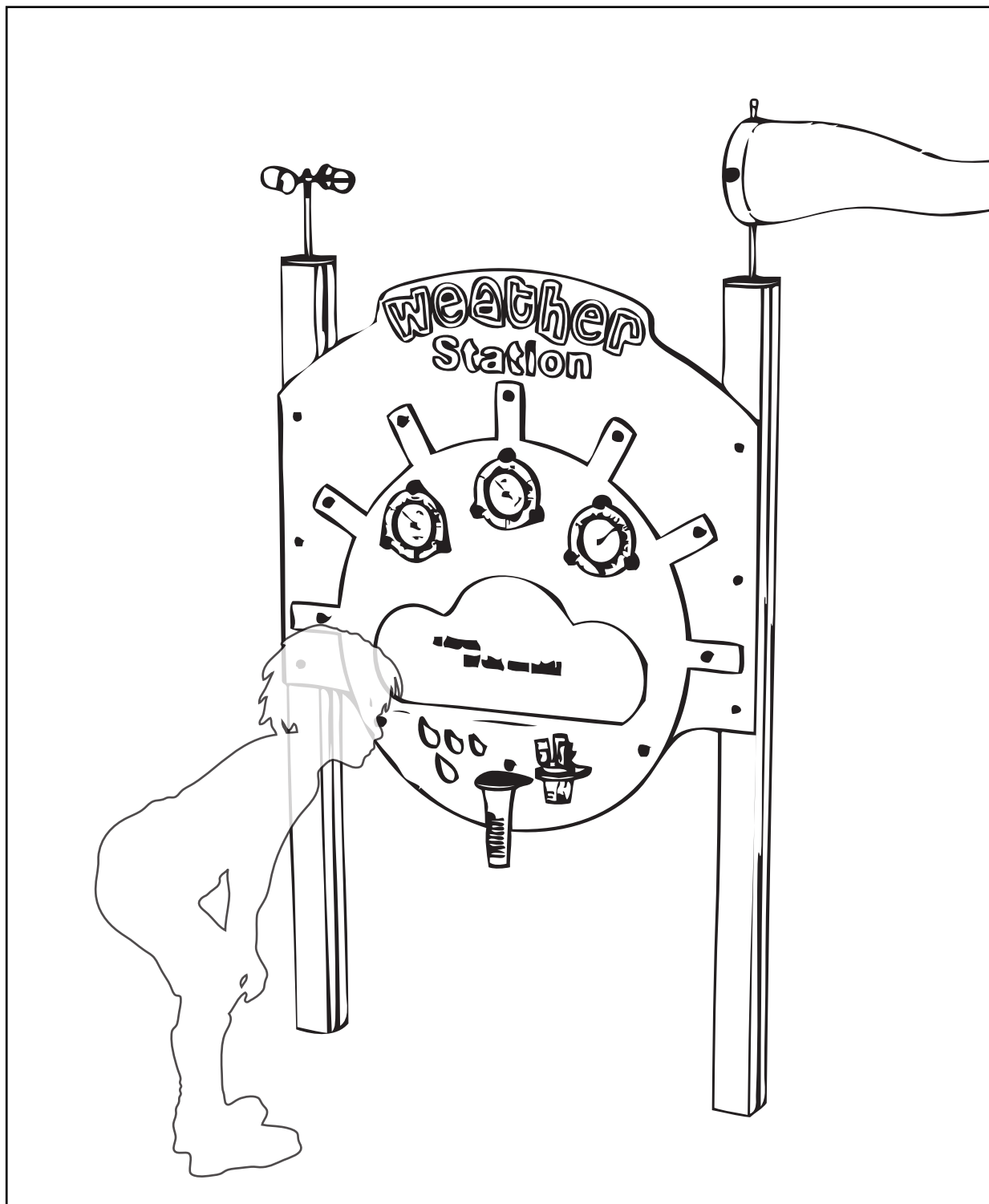


# **WEATHER STATION**

## ***Installation Instructions***

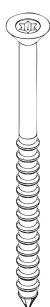
**creative  
play**



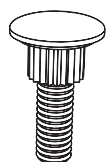
# PARTS required



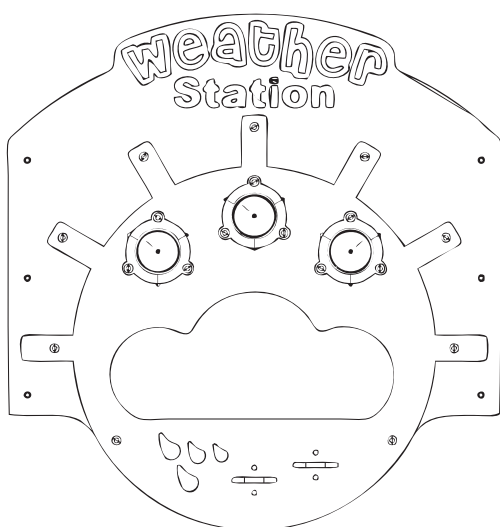
**x4** (N3 - TORQTAINER)



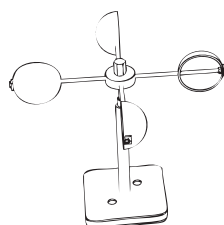
**x10** (FM80 'Brass screws')



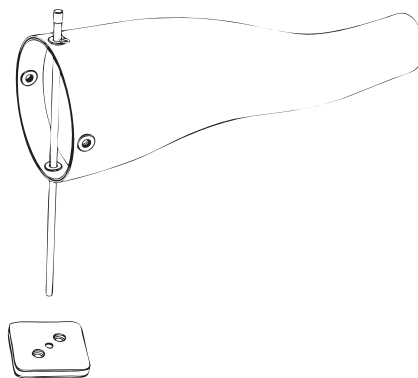
**x4** (4B - TORQTAINER)



**x1** PRE-ASSEMBLED PLAYTEC BOARD

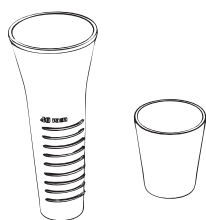


**x1** PRE-ASSEMBLED END CAP & ANEMOMETER



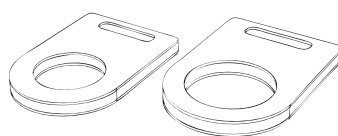
**x1** LOOSE END CAP

**x1** 24 INCH WINDSOCK

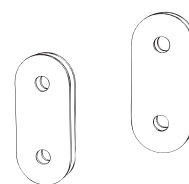


**x1** RAINFALL MEASURE

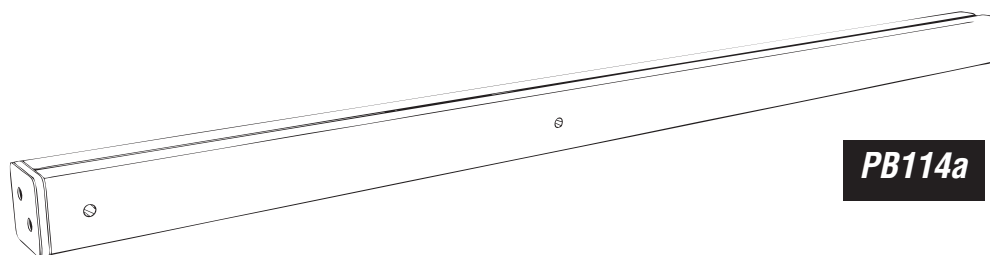
**x1** PEN POT



**x2** PLAYTEC BRACKETS FOR RAINFALL MEASURE & PEN POT



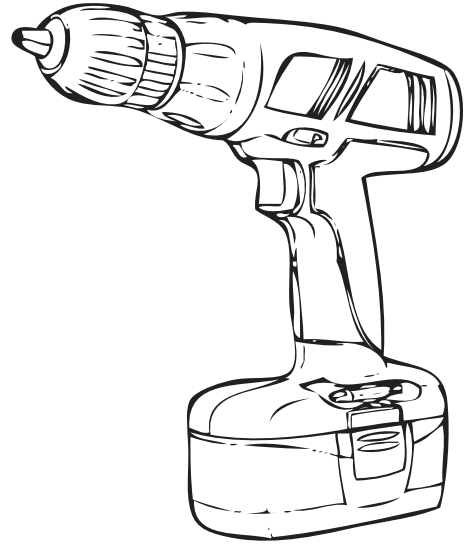
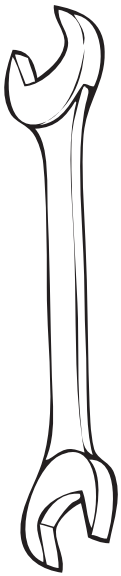
**x2** PLAYTEC BRACKET PIECES



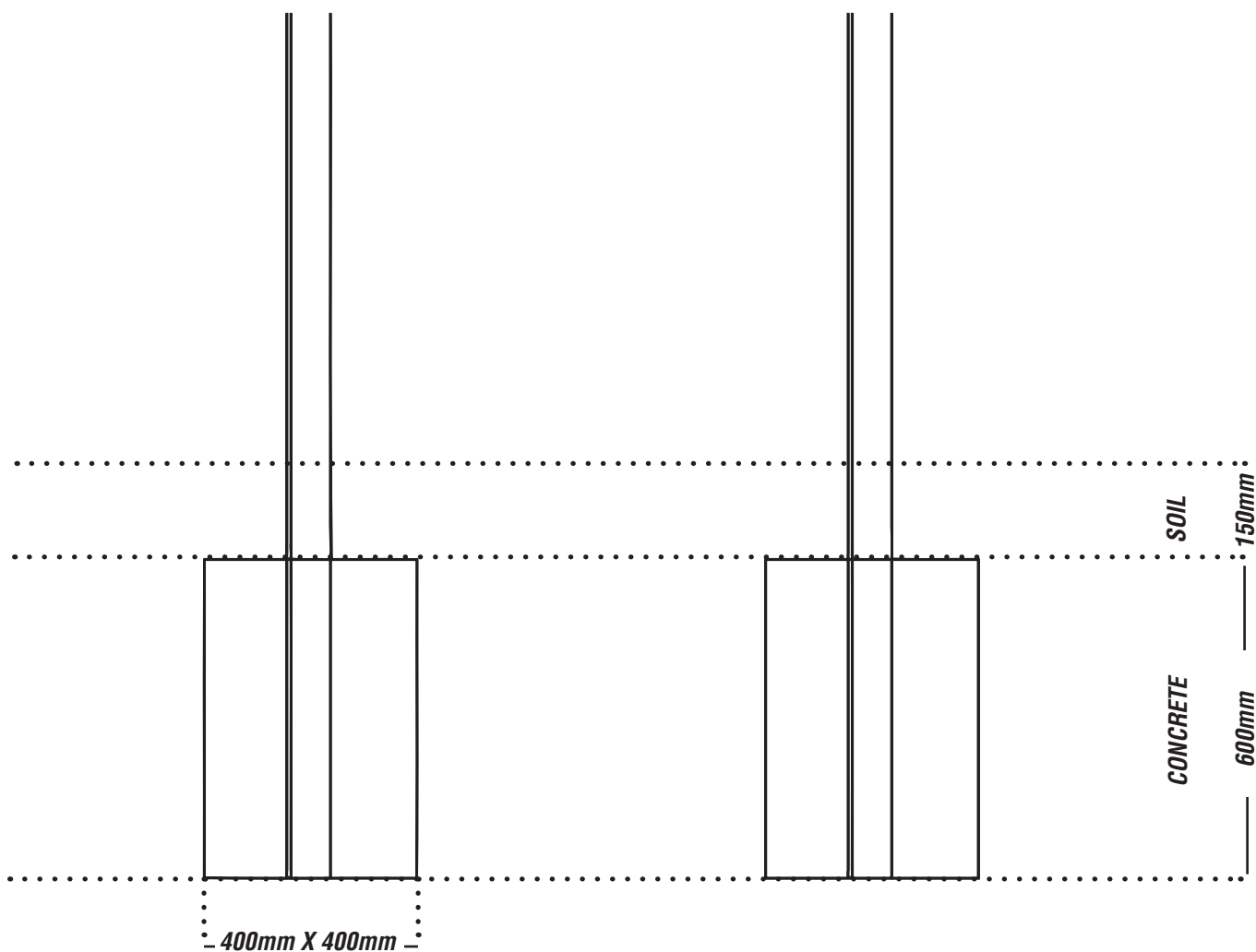
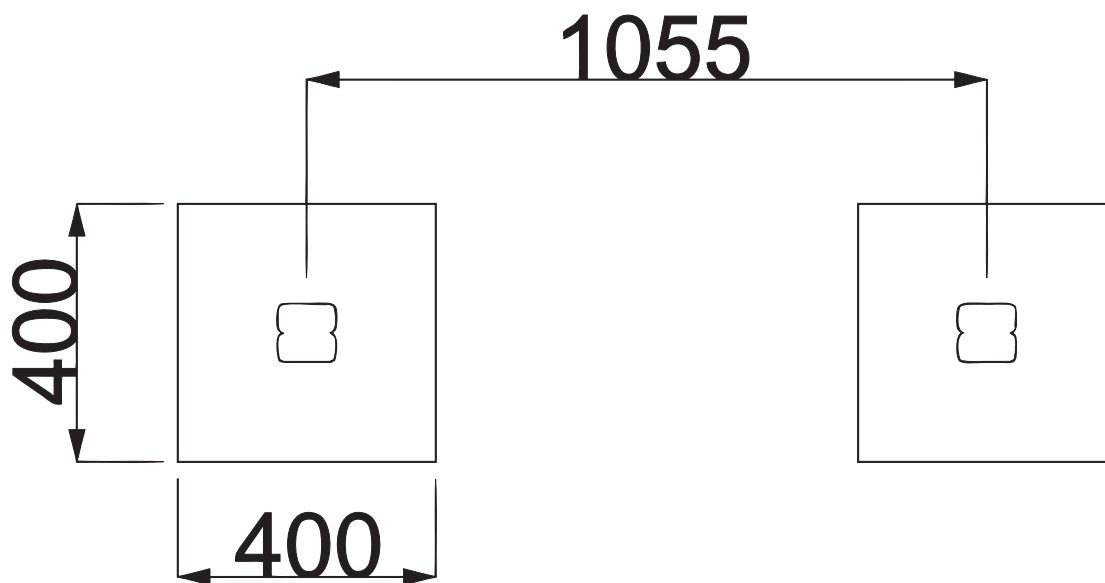
**PB114a** QTY x 2  
(90mm x 90mm)

# ***TOOLS required***

---



# Foundation Details



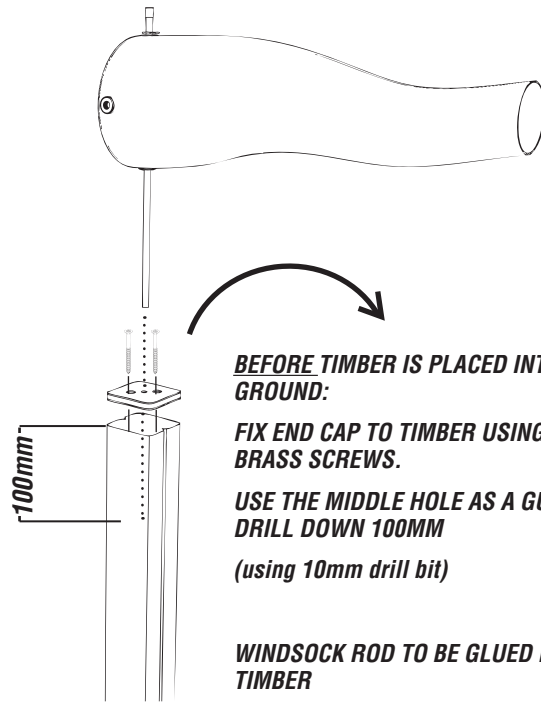
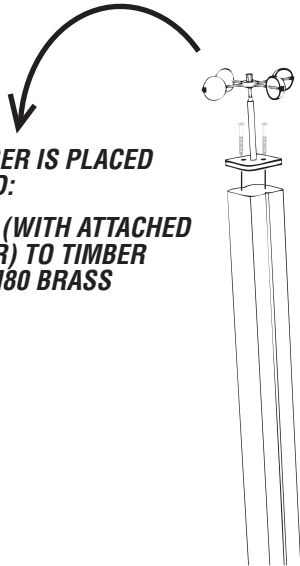
# Installation Instructions

1

## Attach End Caps to timber

**BEFORE TIMBER IS PLACED INTO GROUND:**

**FIX END CAP (WITH ATTACHED ANEMOMETER) TO TIMBER USING 2 X FM80 BRASS SCREWS**



**BEFORE TIMBER IS PLACED INTO GROUND:**

**FIX END CAP TO TIMBER USING 2X FM80 BRASS SCREWS.**

**USE THE MIDDLE HOLE AS A GUIDE - DRILL DOWN 100MM**

*(using 10mm drill bit)*

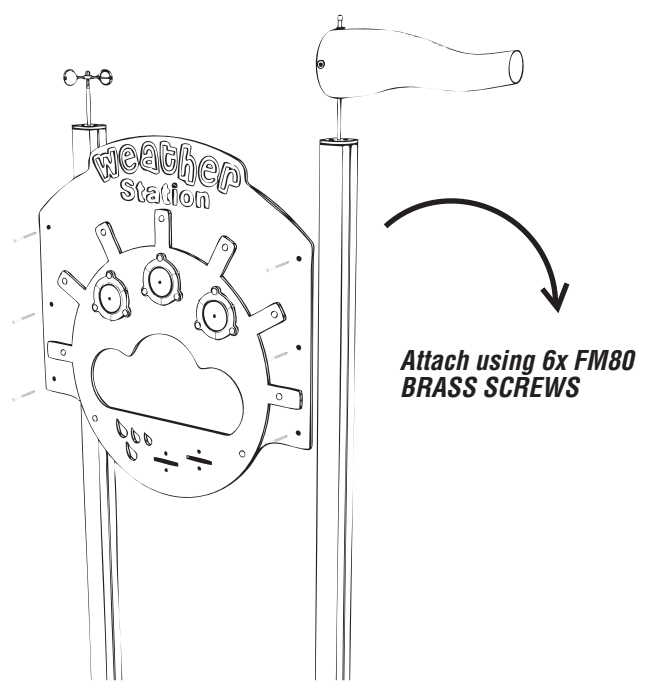
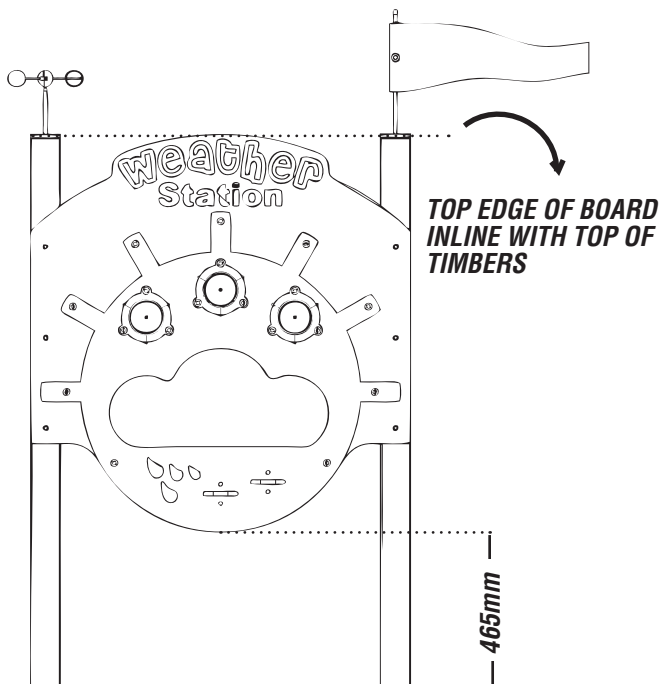
**WINDSOCK ROD TO BE GLUED INTO THE TIMBER**

*(Glue to be placed in drilled 100mm hole - not on end cap.)*

2

## Attach Playtec to timber uprights

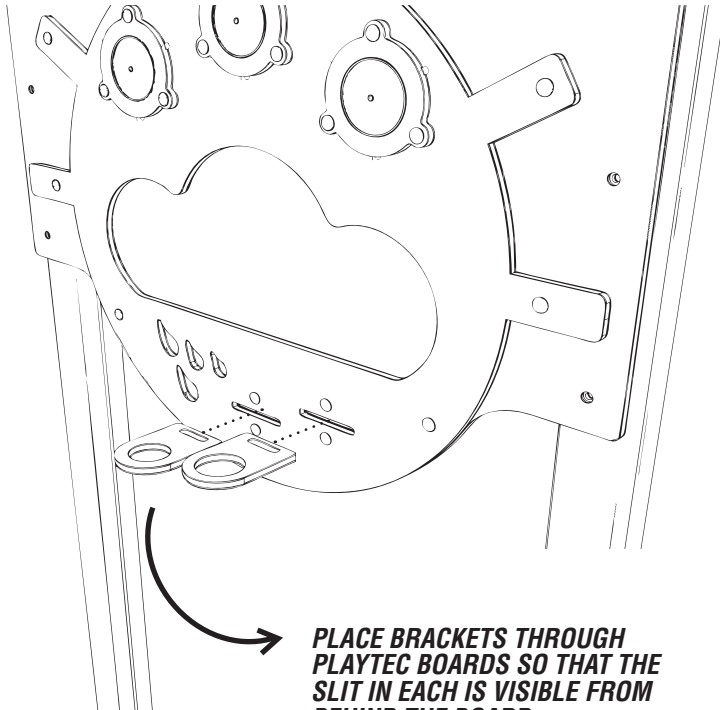
*Concrete timbers into ground as specified on PG 4*



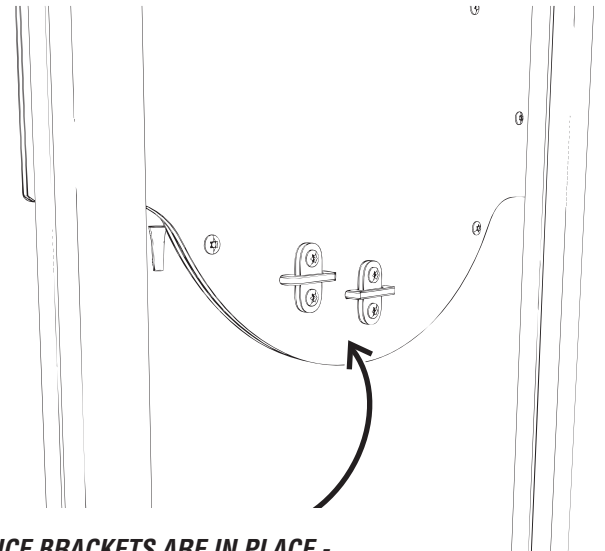
# Installation Instructions

**3**

## Attach Rainfall Measure & Pen Pot brackets to board



PLACE BRACKETS THROUGH PLAYTEC BOARDS SO THAT THE SLIT IN EACH IS VISIBLE FROM BEHIND THE BOARD



ONCE BRACKETS ARE IN PLACE -  
SLOT IN PLAYTEC PIECES AND TORKTAINER  
INTO PLACE USING 4 X 4B-N3'S

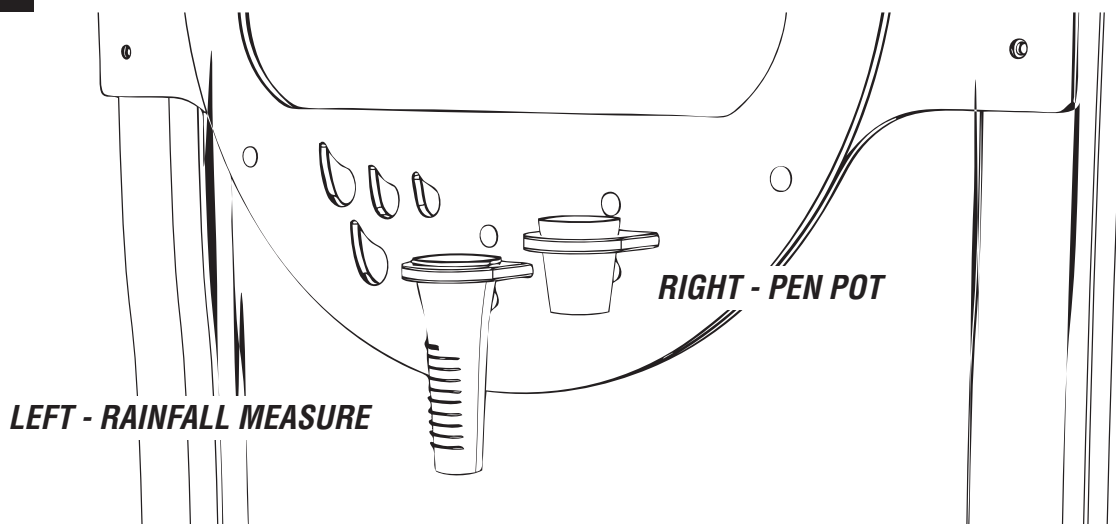
### NOTE:

EACH BRACKET HAS A DIFFERENT INTERNAL HOLE DIMENSION.

THE RAINFALL MEASURE IS TO BE POSITIONED ON THE LEFT (INTERNAL HOLE DIMENSION - 58MM) & THE PEN POT ON THE RIGHT (INTERNAL HOLE DIMENSION - 65MM)

**4**

## Put Rainfall & Pen Pot into place



LEFT - RAINFALL MEASURE

RIGHT - PEN POT