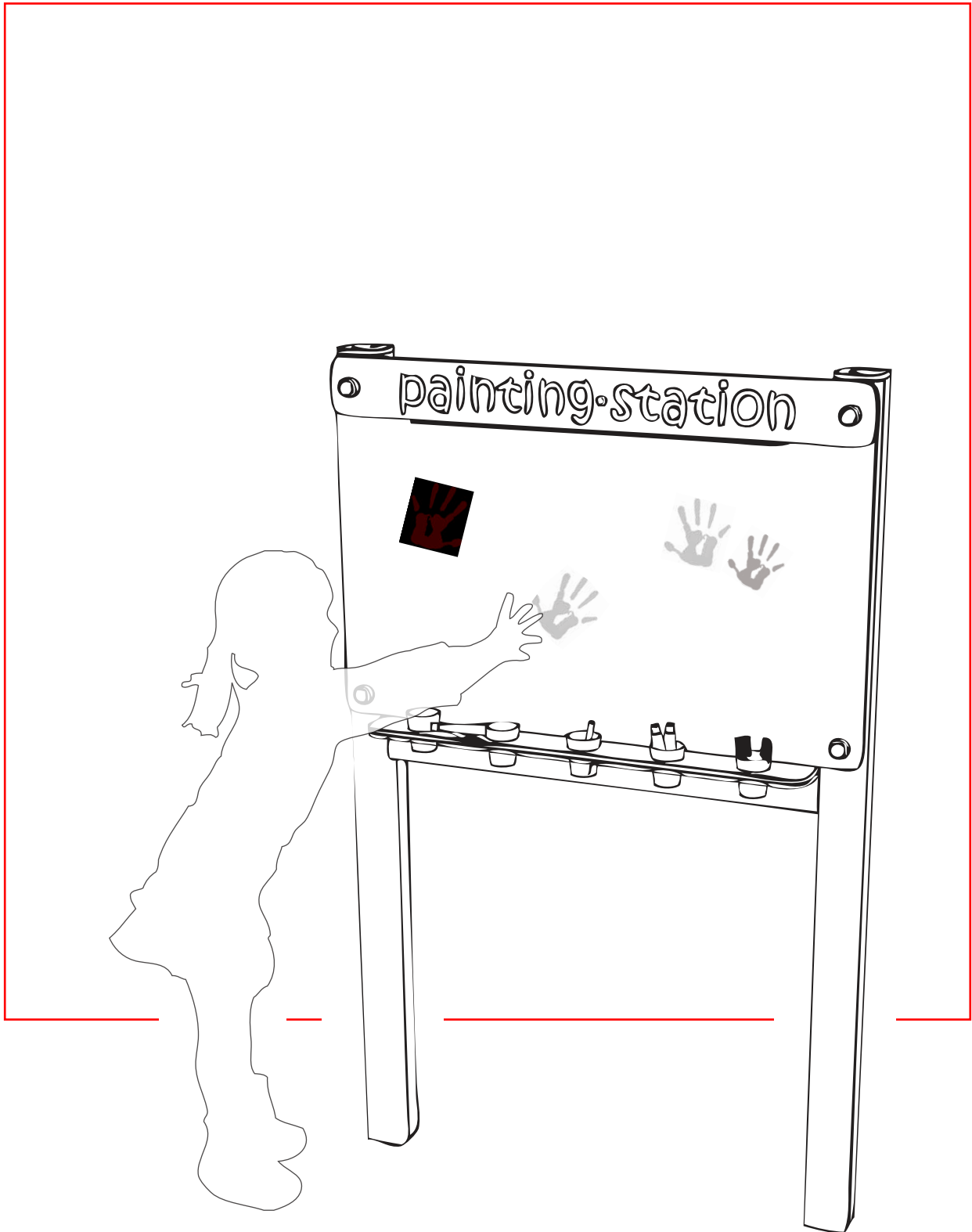


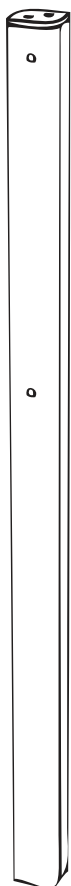
PAINTING STATION

Installation Instructions

***creative
play***

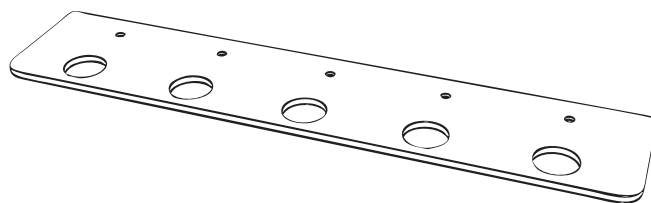


PARTS required

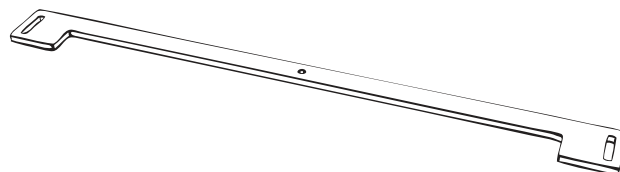


x1 PB111b 90 X 90 TIMBER

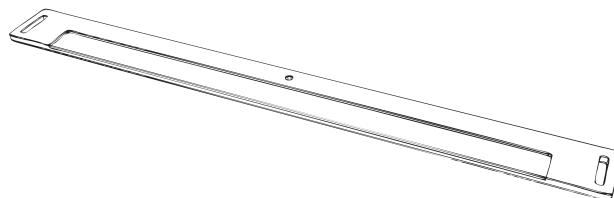
x2 PB111a 90 X 90 TIMBER



x1 PLAYTEC SHELF



x1 PLAYTEC PAPER HOLDER - TOP - cut out



x1 PLAYTEC PAPER HOLDER - BOTTOM - recessed



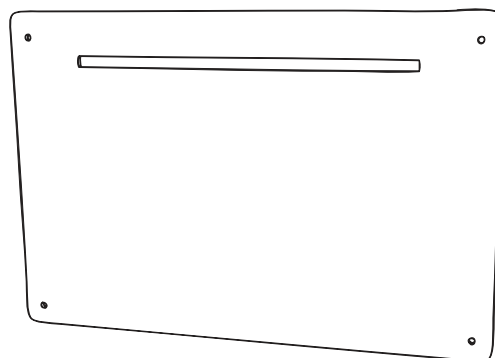
x2 PLAYTEC BRACKET



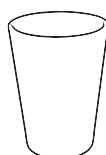
x1 PLAYTEC SIGN



x4 PLAYTEC SPACERS



x1 CLEAR ACRYLIC BOARD



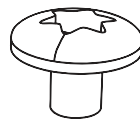
x5 NON SPILL PAINT POTS

PARTS required

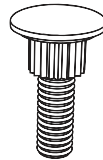


x2 130mm HEX BOLT

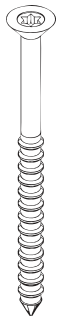
x2 120mm HEX BOLT



x2 N1 Torktainers

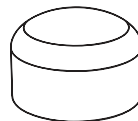


x2 3B Torktainers



x9 FM80 'Brass wood screws'

x4 FM180 'Brass wood screws'

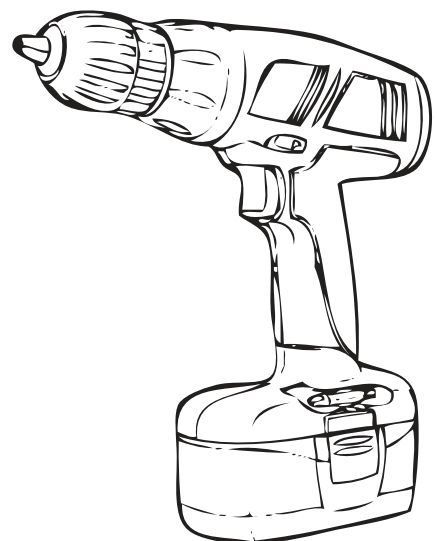
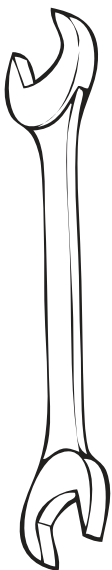


x8 COVERED ENDS

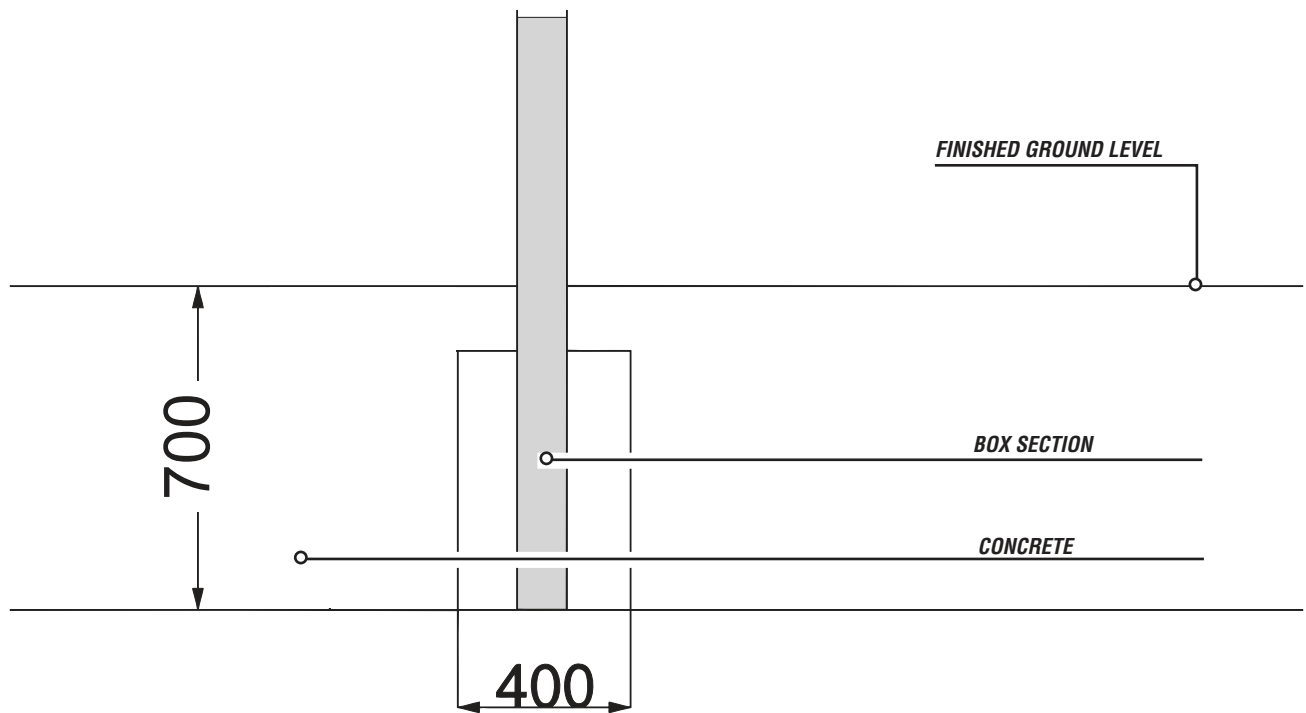
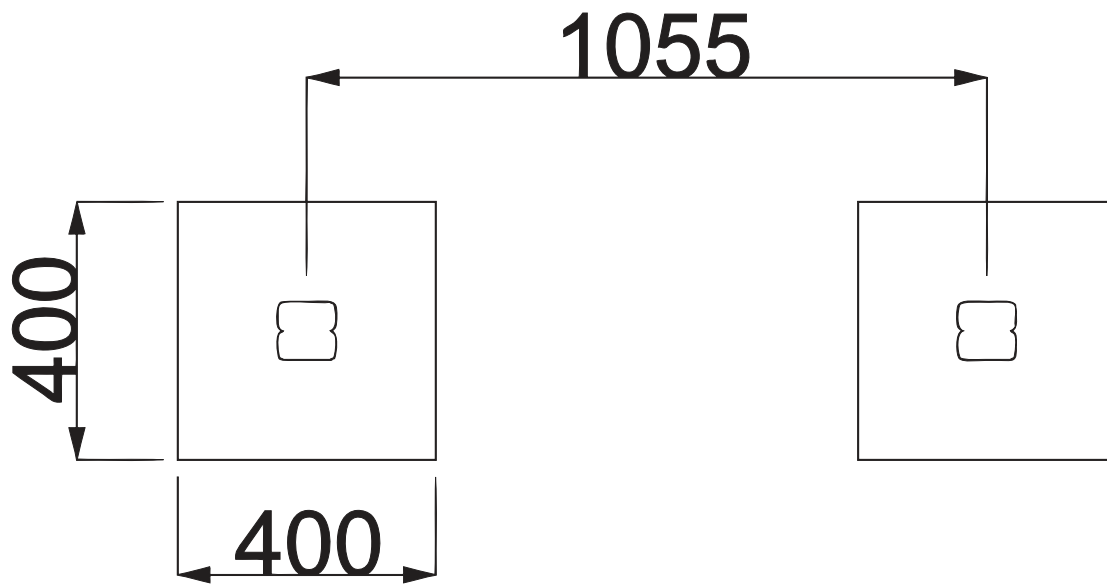


x4 M12 'NYLOC'

TOOLS required



Foundation Details

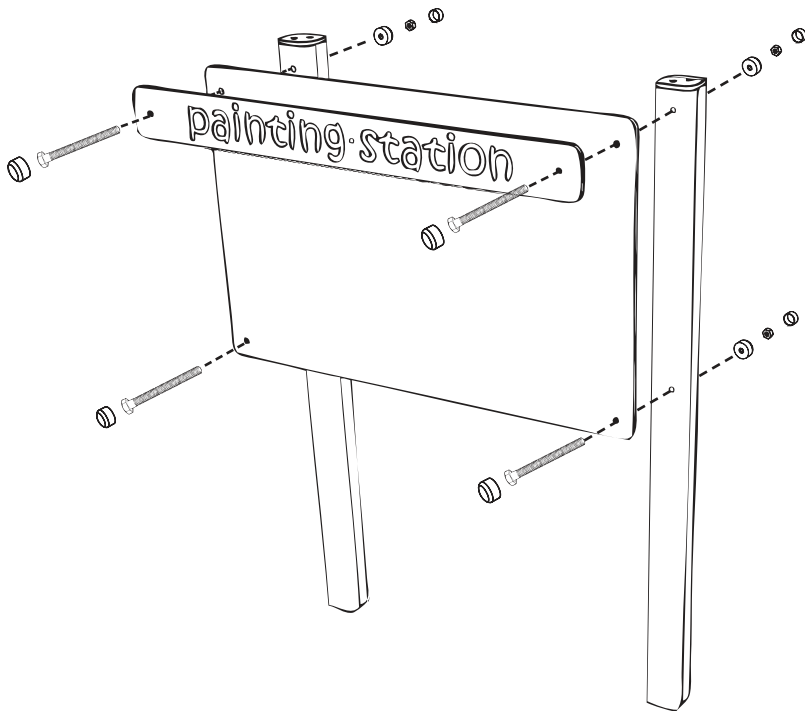


Installation Instructions

1

Attach CLEAR ACRYLIC and PLAYTEC SIGN to timber

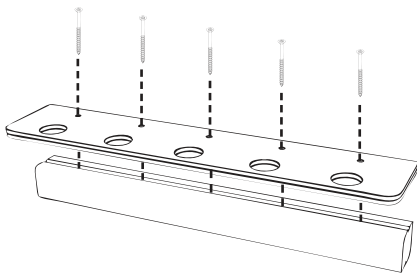
USING (IN ORDER FROM FRONT) 4 X COVERED END, 4 X HEX BOLTS (2 X 130mm TOP / 2 X 120mm BOTTOM)
4 X M12 NYLOC, 4 X COVERED END



Once boards are fixed - TORKTAINER the SIGN and CLEAR ACRYLIC BOARD together using 1 x 3B / 1 X N1 TORKTAINER

2

Attach PLAYTEC SHELF to "PB111b" timber and secure between uprights

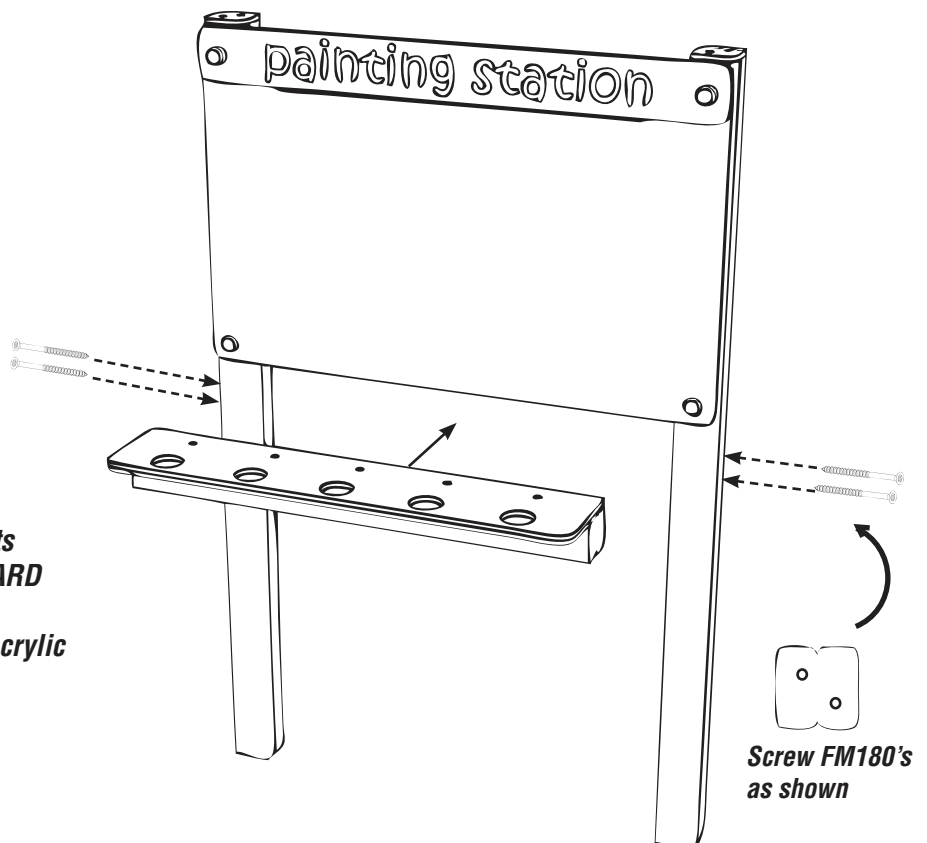


Screw PLAYTEC SHELF using 5x FM80 BRASS WOOD SCREWS

Place this shelf inbetween both uprights DIRECTLY BELOW CLEAR ACRYLIC BOARD

ENSURE - This shelf is right up to the acrylic board and there is no gap inbetween

Fix this shelf in place using 4x FM180 BRASS WOOD SCREWS



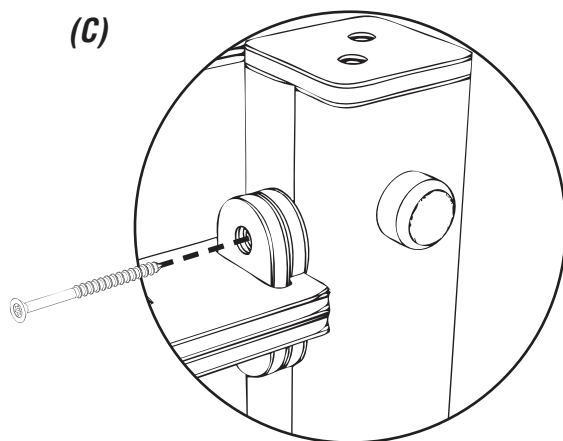
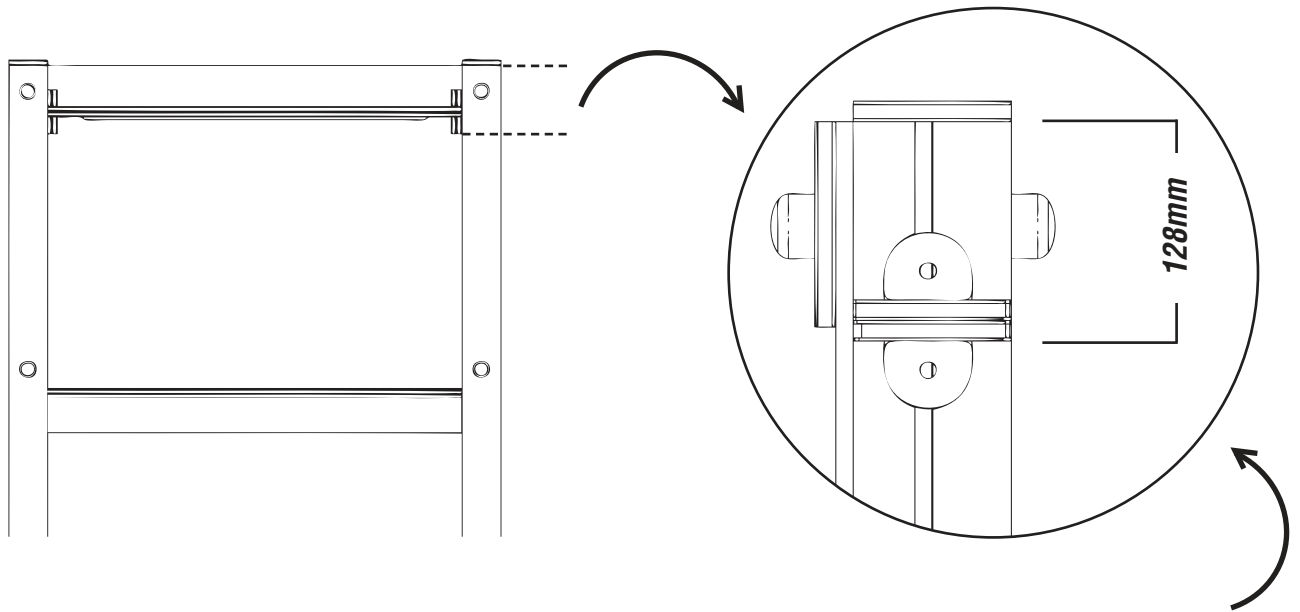
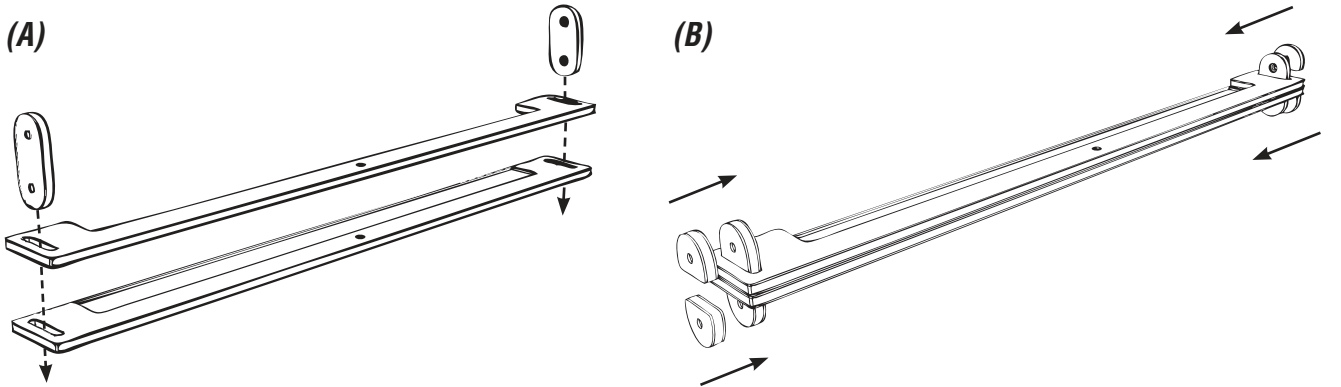
Screw FM180's as shown

Installation Instructions

3

Attach PLAYTEC PAPER HOLDER between UPRIGHTS

Using PLAYTEC BRACKETS slid through top and bottom sections (A) and PLACTEC SPACERS (B) to fix to timber uprights using 4 x FM80 BRASS WOOD SCREWS (C)



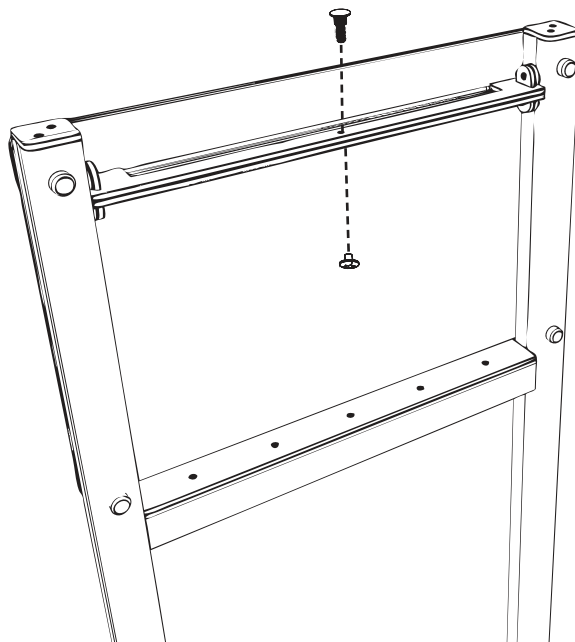
ENSURE the **BOTTOM** of PLAYTEC HOLDER component is approx 128mm from **TOP OF TIMBER** (This is so that it is in line for a the paper to feed through clear acrylic board - should it be applicable)

Installation Instructions

4

Attach PLAYTEC PAPER HOLDER together

Using 1 x 3B / 1 X N1 TORKTAINER



Additional Dimensions

