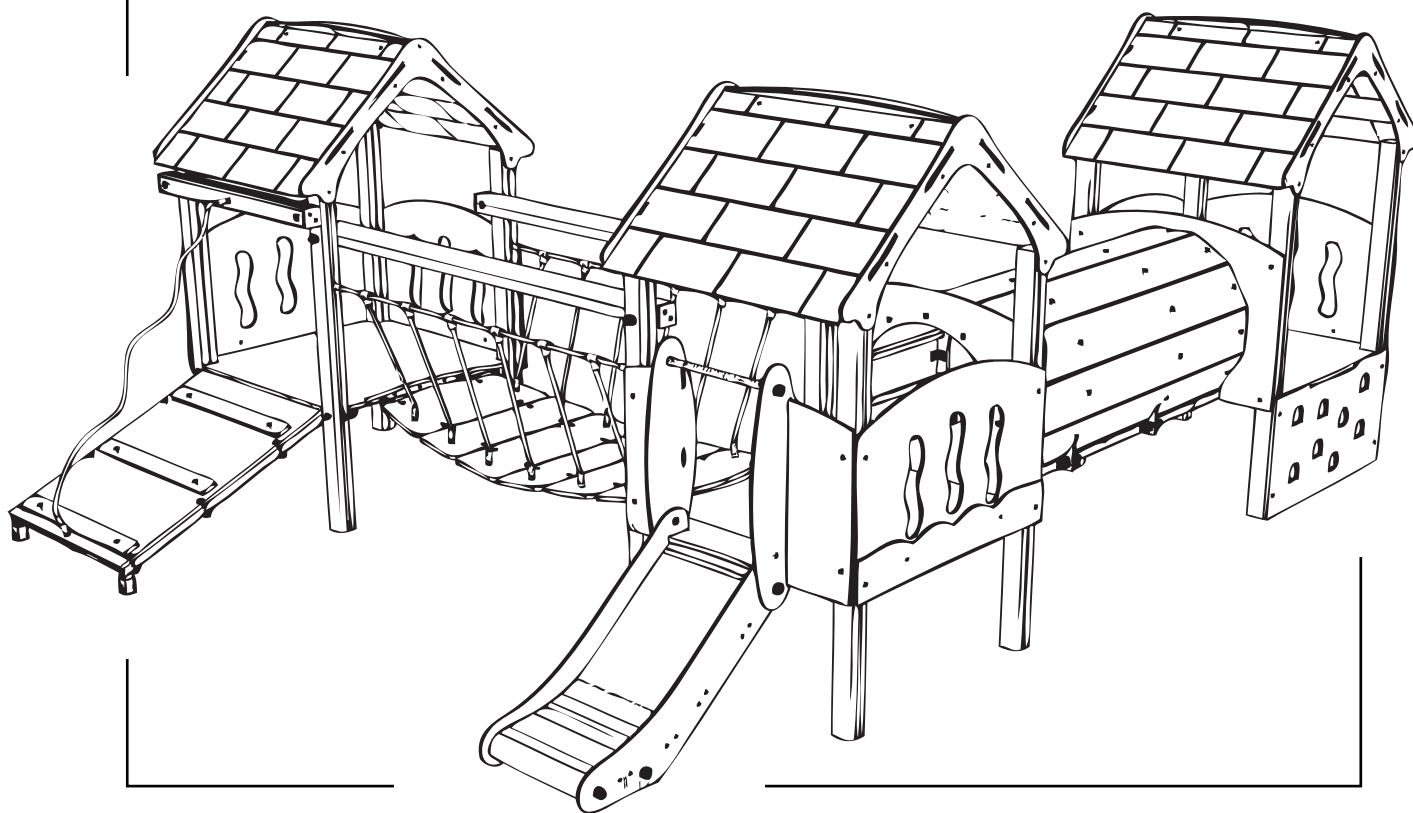
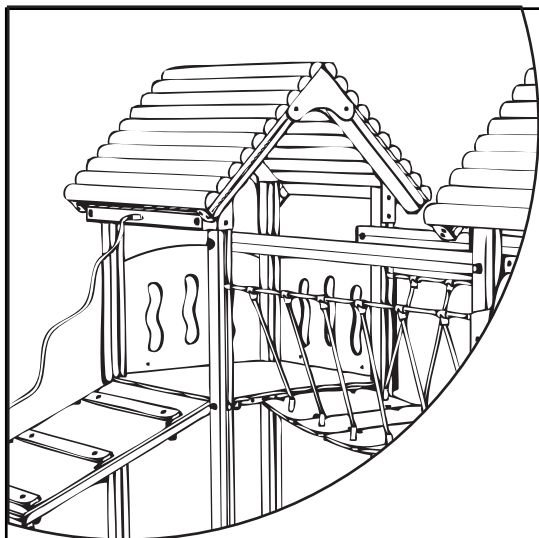


# LILLIPUT PLAYTOWN THREE

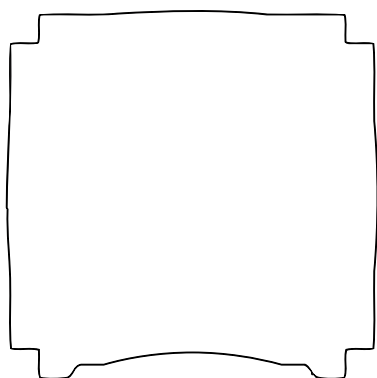
## Installation Instructions

creative  
play

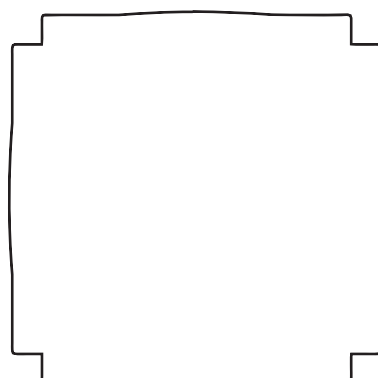


# ***PARTS required***

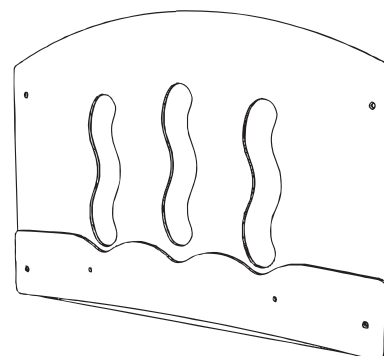
---



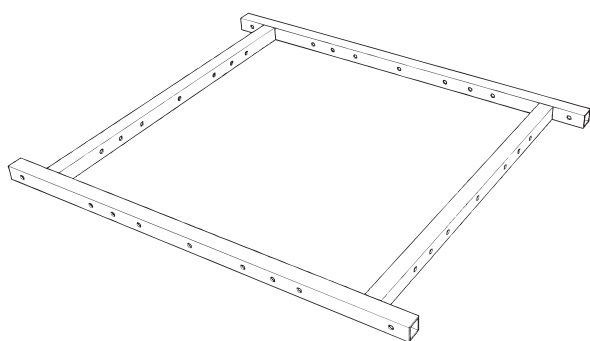
***x2*** (90 x 90 CLATTERBRIDGE FLOOR)



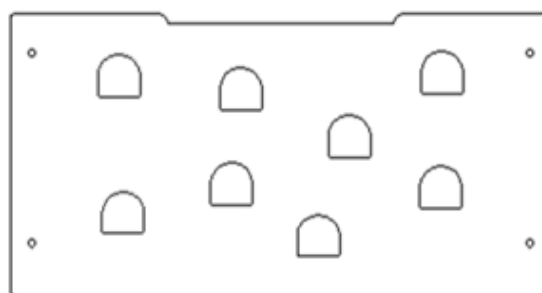
***x1*** (90 x 90 STANDARD FLOOR)



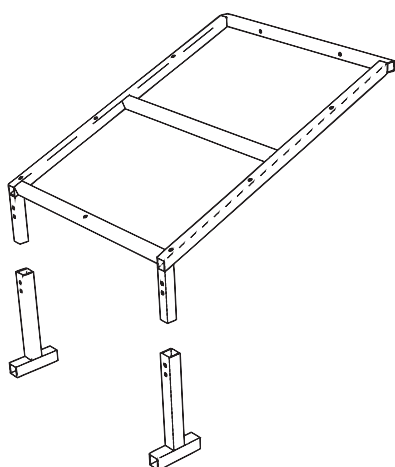
***x5*** (PRE-ASSEMBLED PANEL)



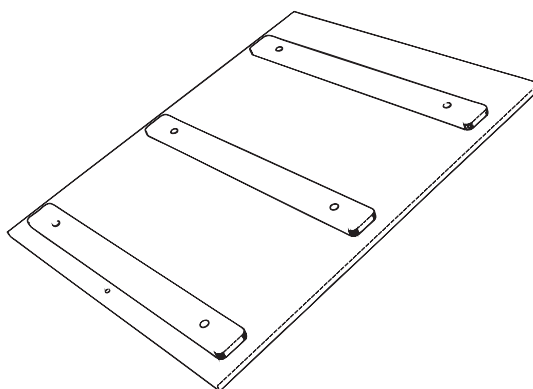
***x3*** (TOWERS STANDARD FLOOR 90x90)



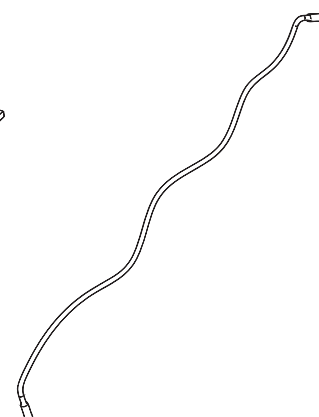
***x1*** (LILLIPUT CLIMBING WALL)



***x1*** (RAMP METAL FRAME)

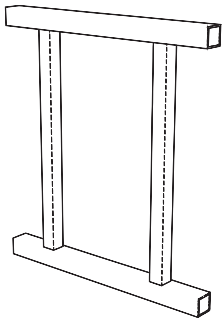


***x1*** (RAMP HEX)

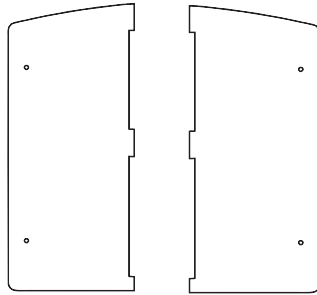


***x1*** (RAMP PULL ROPE)

# PARTS required

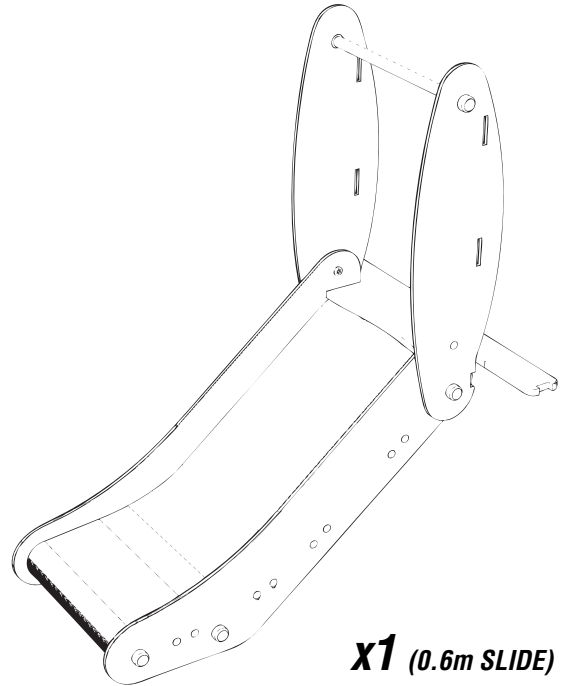


**x1** (SLIDE METAL FRAME)



**x1 LEFT** (SLIDE SIDE)

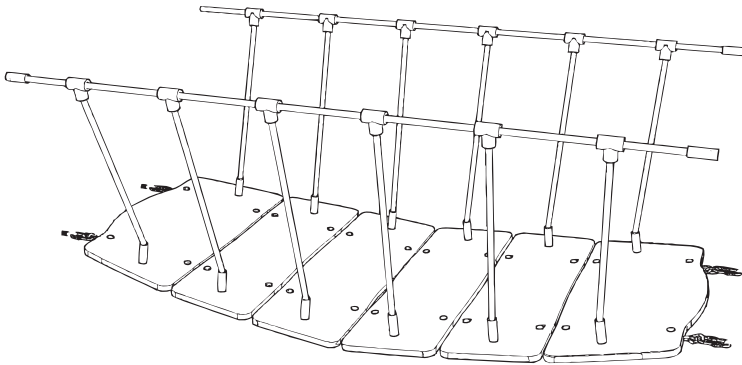
**x1 RIGHT** (SLIDE SIDE)



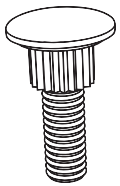
**x1** (0.6m SLIDE)



**x2** (SLIDE CLIPS)



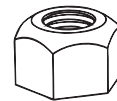
**x1** (CLATTERBRIDGE)



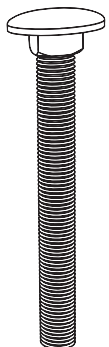
**x2** (5B- TORKTAINER)



**x2** (N4 - TORKTAINER)



**x30** (M12 'NYLOC')



**x6** (M12 x 200 SQUARE CUP HEX BOLTS)

**x12** (M12 x 150 SQUARE CUP HEX BOLTS)

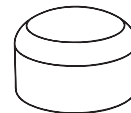
**x2** (M12 x 100 SQUARE CUP HEX BOLTS)

**x6** (M12 x 75 SQUARE CUP HEX BOLTS)



**x3** (FM40' Brass screws')

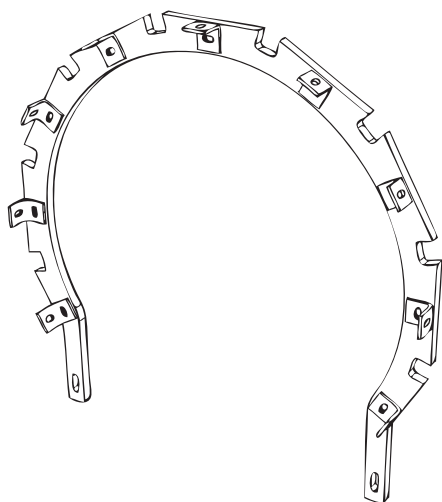
**x30** (FM80' Brass screws')



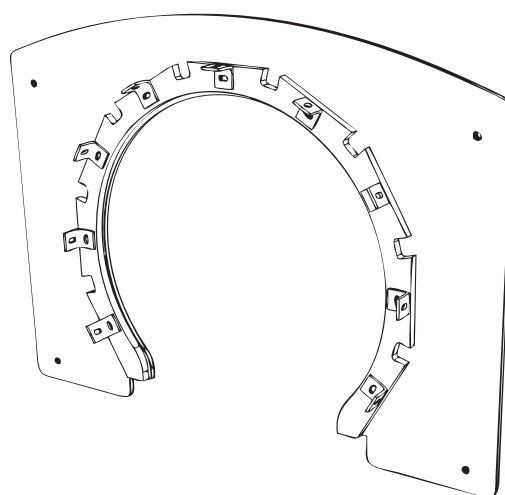
**x30** (Covered Ends)

# ***PARTS required (CRAWLING TUNNEL)***

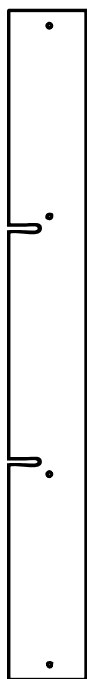
---



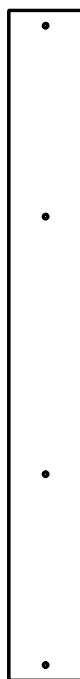
***x2*** (CENTRAL HEX RINGS)



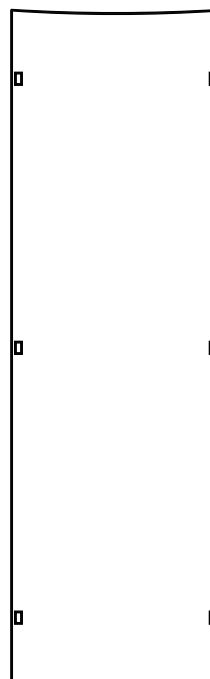
***x2*** (PLAYTEC TUNNEL ENTRANCES)



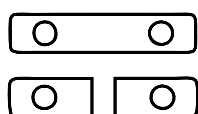
***x2*** (FIRST/LAST PLAYTEC SLAT)



***x7*** (PLAYTEC SLAT)



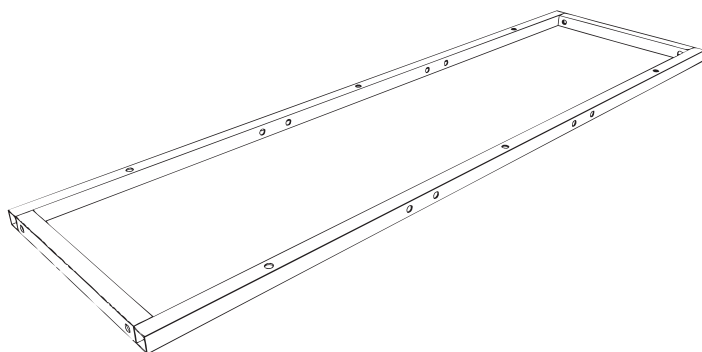
***x1*** (HEX FLOOR)



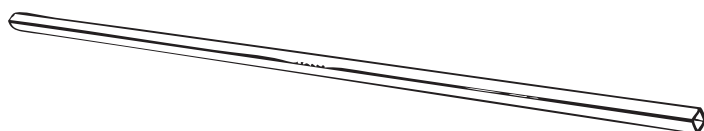
***x4*** (PLAYTEC CLIPS SET)

# ***PARTS required (CRAWLING TUNNEL)***

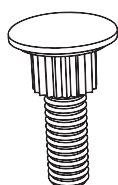
---



**x1** (40X40 BOX SECTION PRE-ASSEMBLED FLOOR)



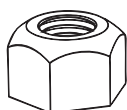
**x8** (30X30 BOX SECTION)



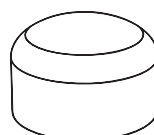
**x36** (OB- TORKTAINER)



**x36** (N1 - TORKTAINER)



**x18** (M12 'NYLOC')



**x18** (Covered Ends)



**x4** (M12 x 100 SQUARE CUP HEX BOLTS)


**x8** (M12 x 80 SQUARE CUP HEX BOLTS)

**x6** (M12 x 75 SQUARE CUP HEX BOLTS)

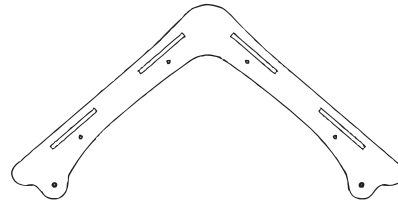


**x8** (FM80' Brass screws')

# ***PARTS required ( STANDARD ROOF )***

 **x24** (ROOF CLIPS)

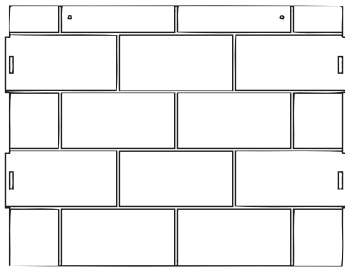
 **x3** (TOP ROOF CLIP)

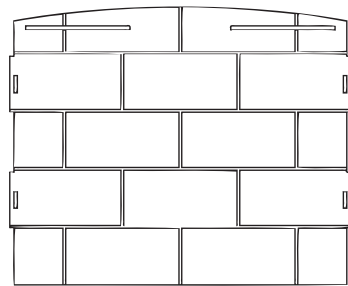
 **x6** (SIDE ROOF)

 **x30** (N1 - TORKTAINER)

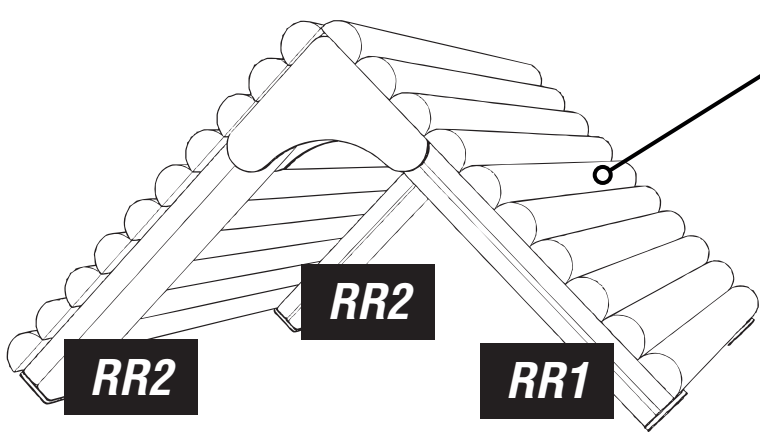
 **x30** (3B- TORKTAINER)


 **x12** (FM80 ' Brass screws')

 **x3** (FRONT ROOF)

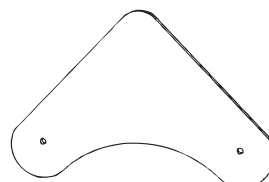
 **x3** (BACK ROOF)

# ***PARTS required (RUSTIC ROOF )***

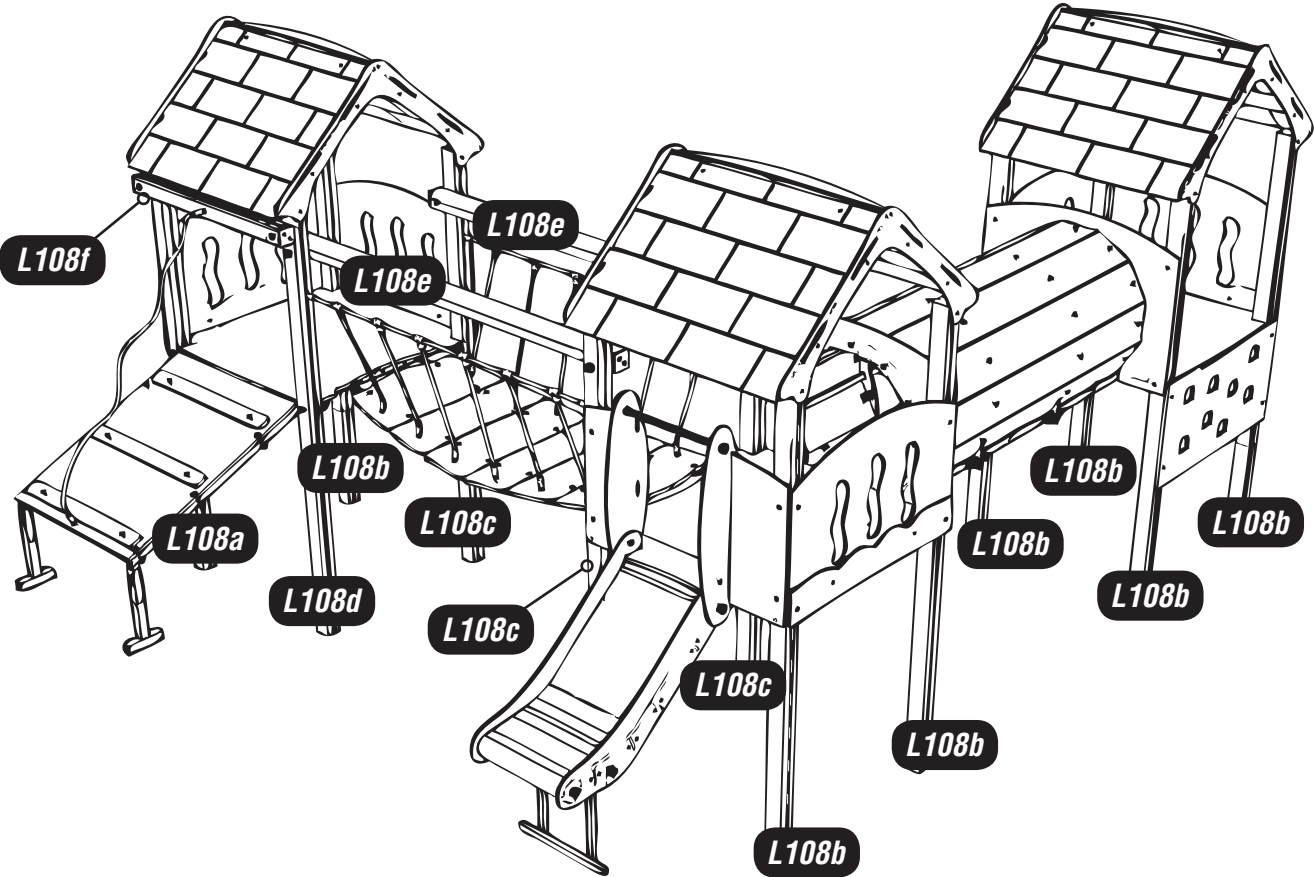
 **RR3** x60 (HALF ROUND TIMBERS)  
**RR2** x6  
**RR1** x6

 **x192** (FM80 ' Brass screws')

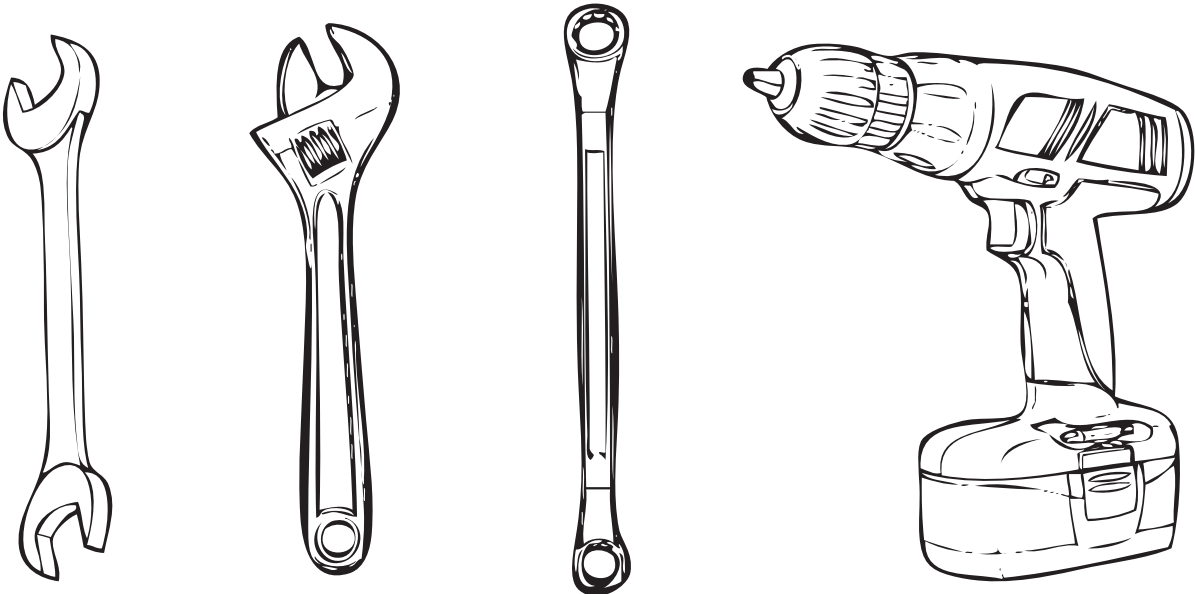
 **x6 LEFT** (SIDES RUSTIC ROOF)  
**x6 RIGHT** (SIDES RUSTIC ROOF)

 **x12** (TOP RUSTIC ROOF)

# TIMBERS required

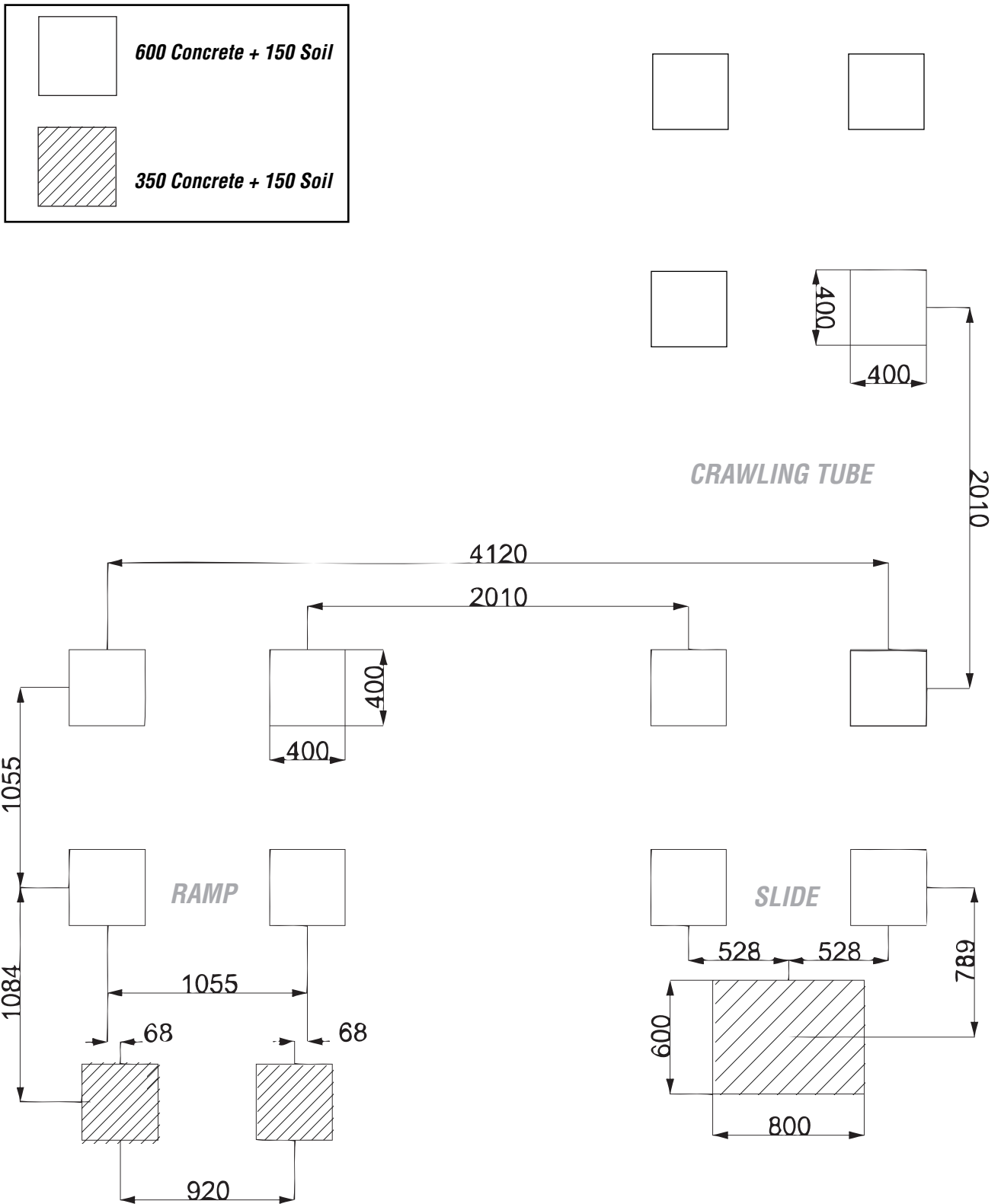


# TOOLS required



# Foundation Details

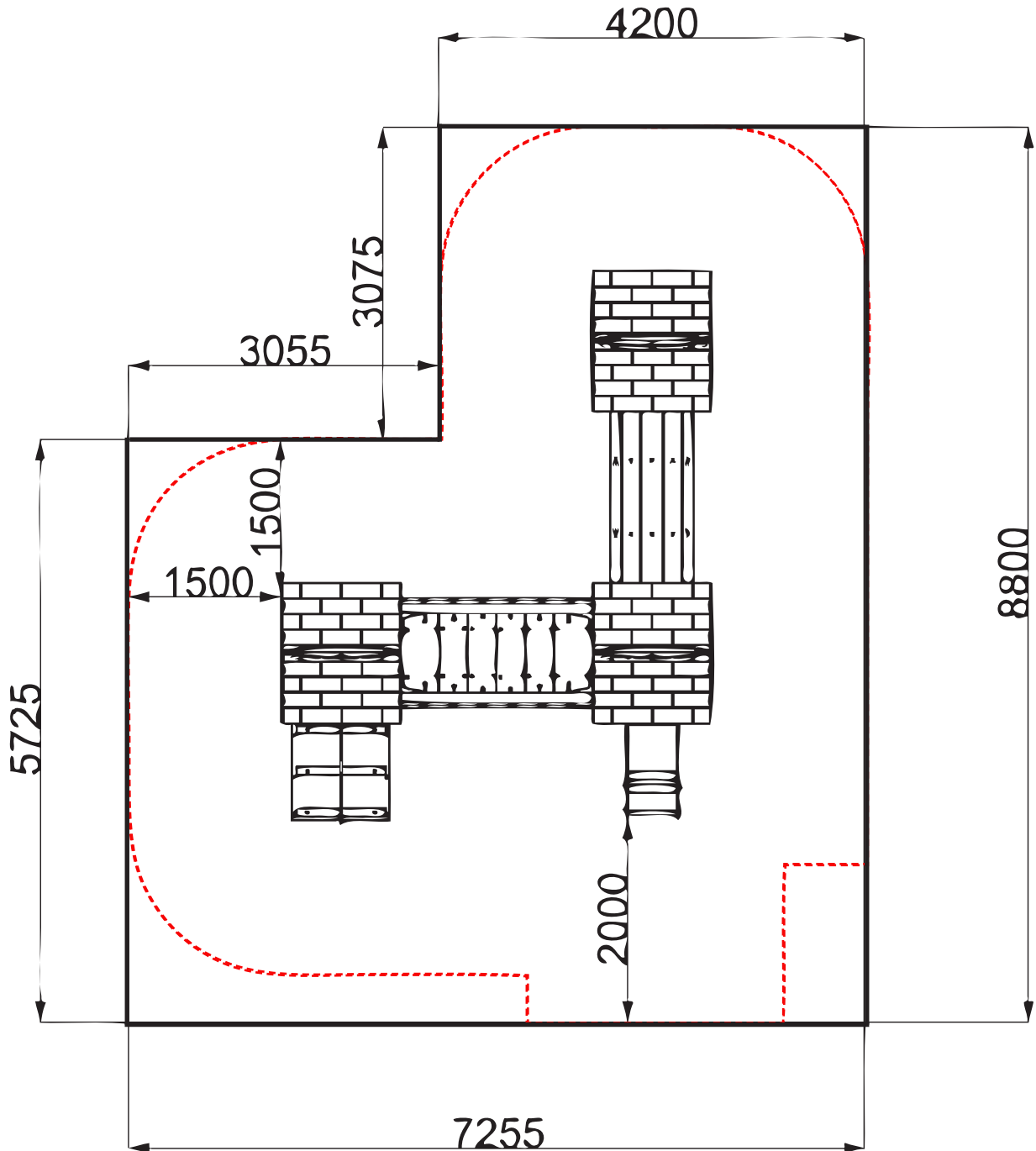
**FIG. 1**





# Surfacing Details

- - - = MINIMUM SPACE
- = SURFACE AREA

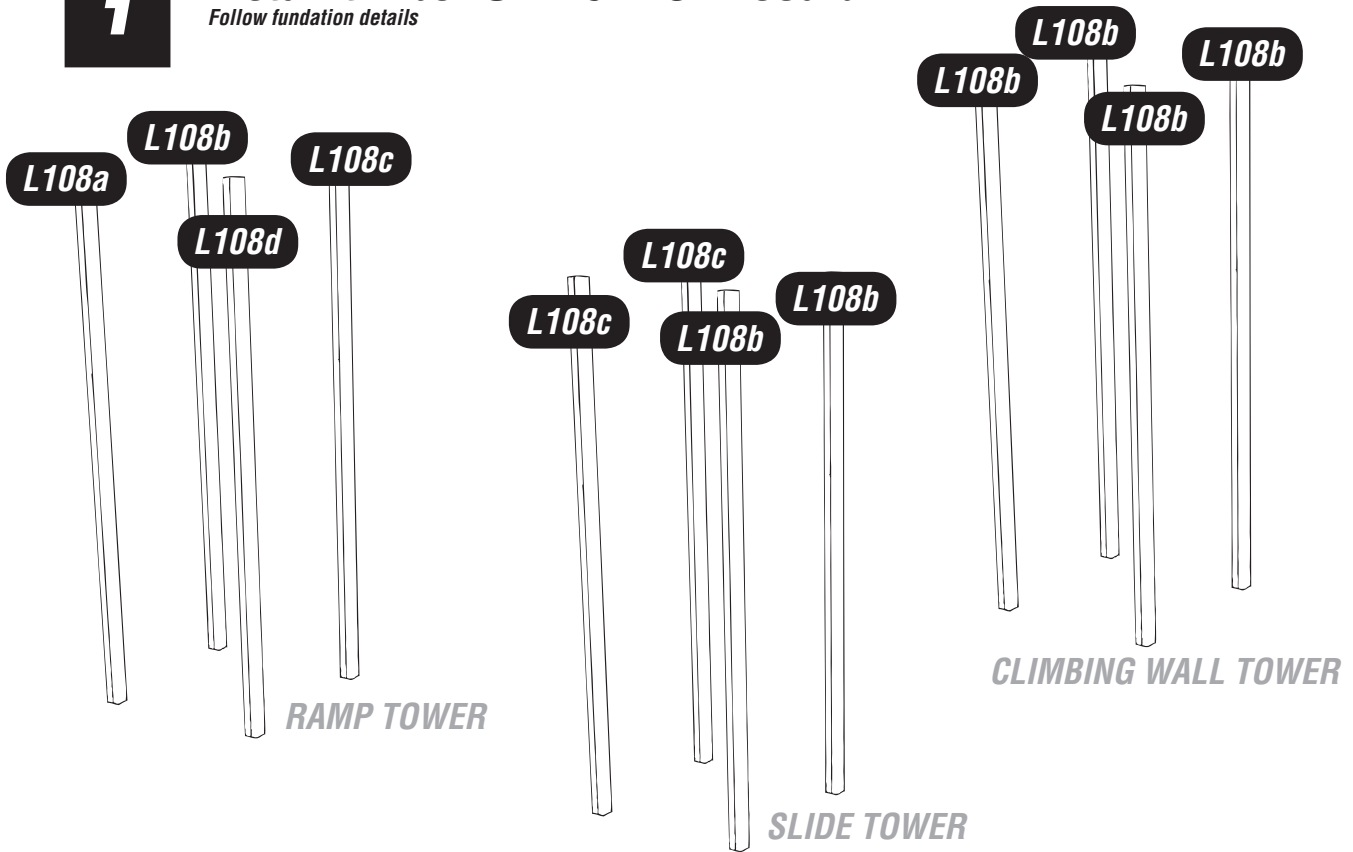


# Installation Instructions

**1**

## Install timber UPRIGHTS L108a-d

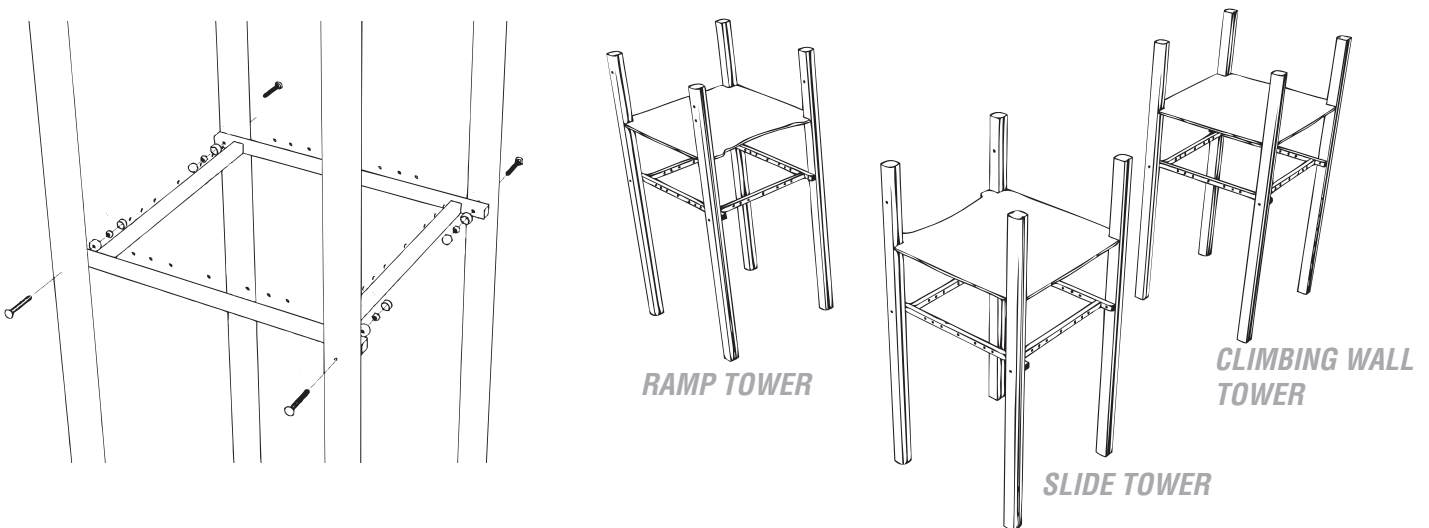
Follow foundation details



**2**

## Attach the CLATTERBRIDGE floor to timbers on RAMP AND SLIDE TOWERS and place the Hexboard on top

Using 4x150mm M12 SQUARE CUP HEX BOLTS/ 4x Nylocs / 4x RED CAPS - PER FLOOR



**ENSURE: RAMP AND SLIDE TOWER FLOOR CURVES FACE CLATTERBRIDGE**

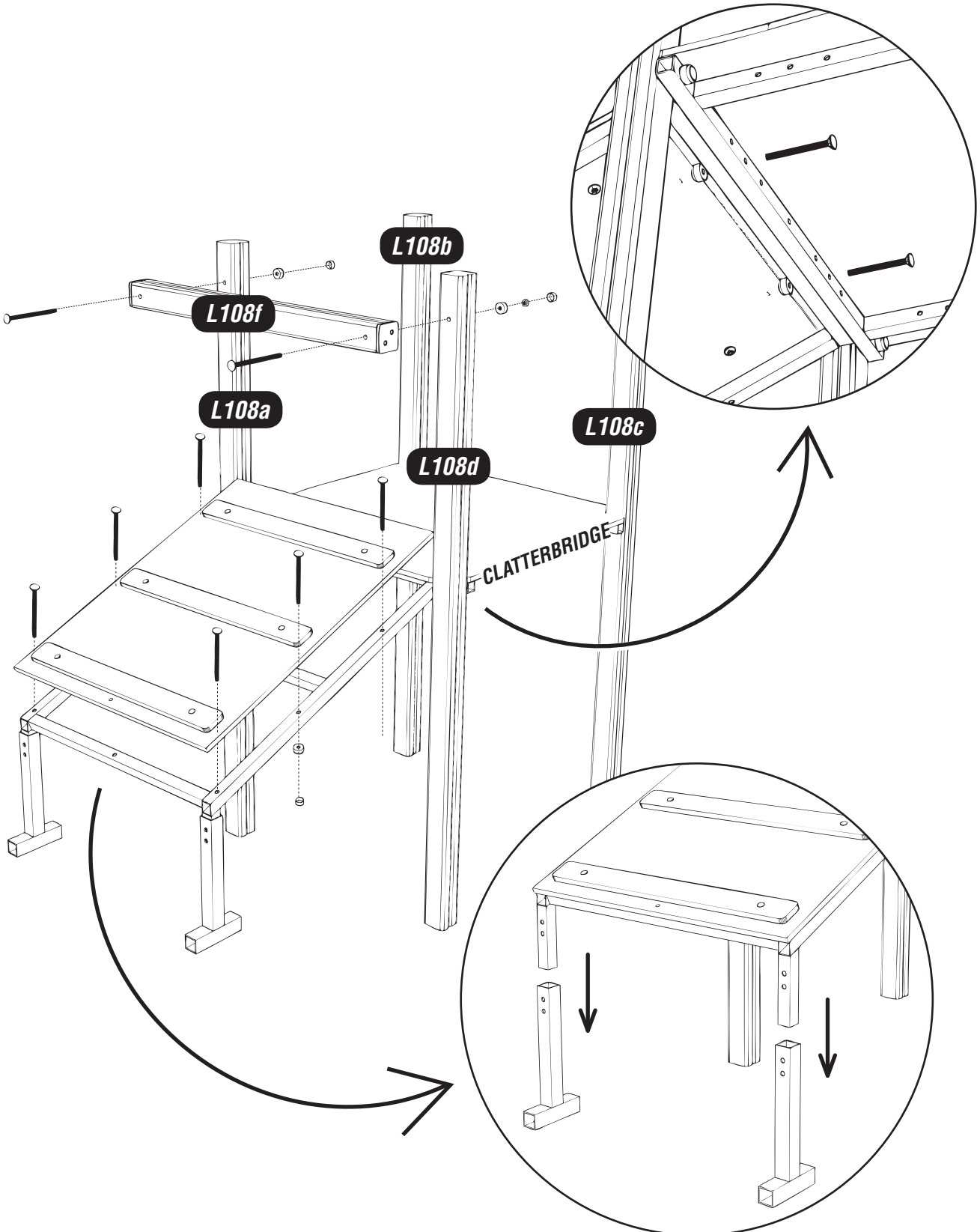
# Installation Instructions

**3**

## Install the RAMP to the floor METAL FRAME and LEGS

Using (2X200mm - RAMP PULL TIMBER) (2x100mm - FIX RAMP TO FLOOR) (6X70mm - FIX HEX TO RAMP) M12 SQUARE CUP HEX BOLTS/ 10x M12 Nylocs / 10x COVERED ENDS

Using 2x 5B TORKTAINER / 2x N4 TORKTAINER fix the box section legs

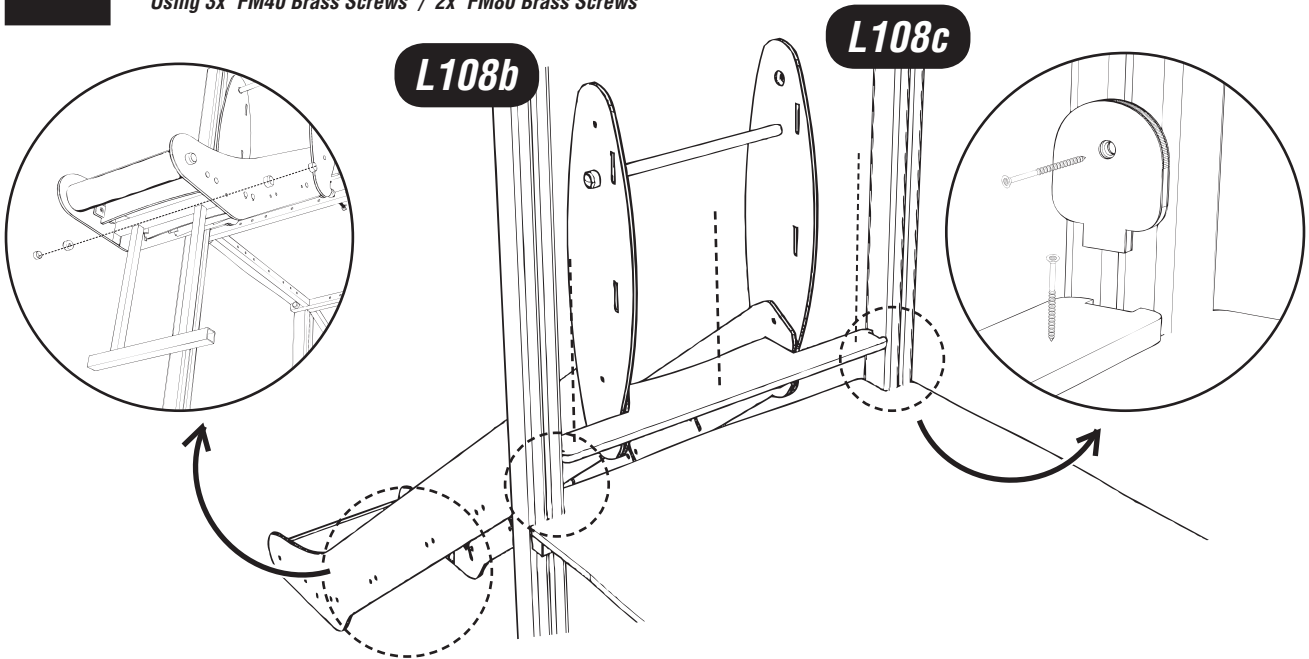


# Installation Instructions

**4**

## ON OTHER TOWER - Attach the SLIDE to the HEXBOARD FLOOR

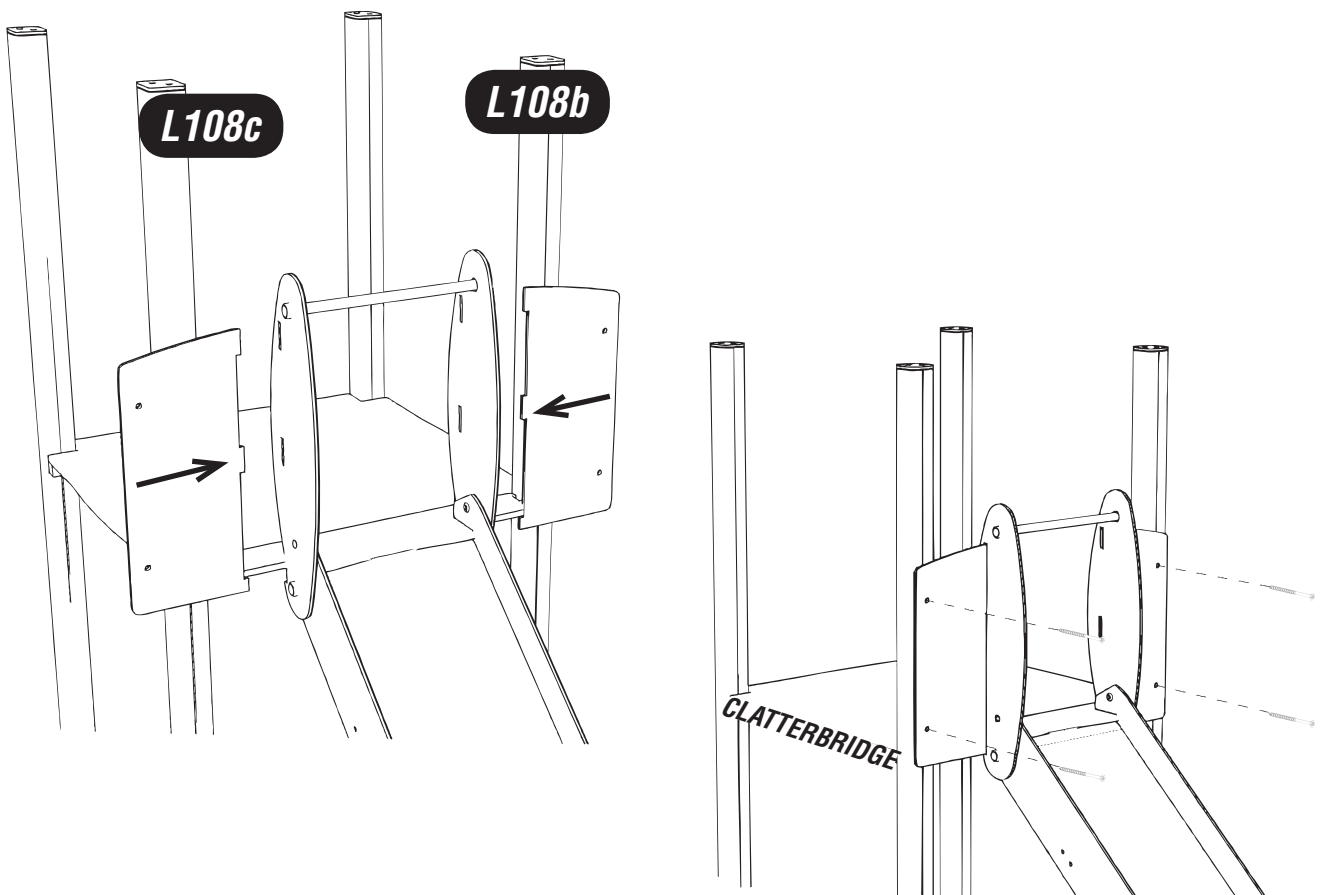
Using 3x 'FM40 Brass Screws' / 2x 'FM80 Brass Screws'



**5**

## Insert the SLIDE SIDES to the SLIDE and to the timbers L108b/L108c

USING 4x 'FM80 Brass Screws'

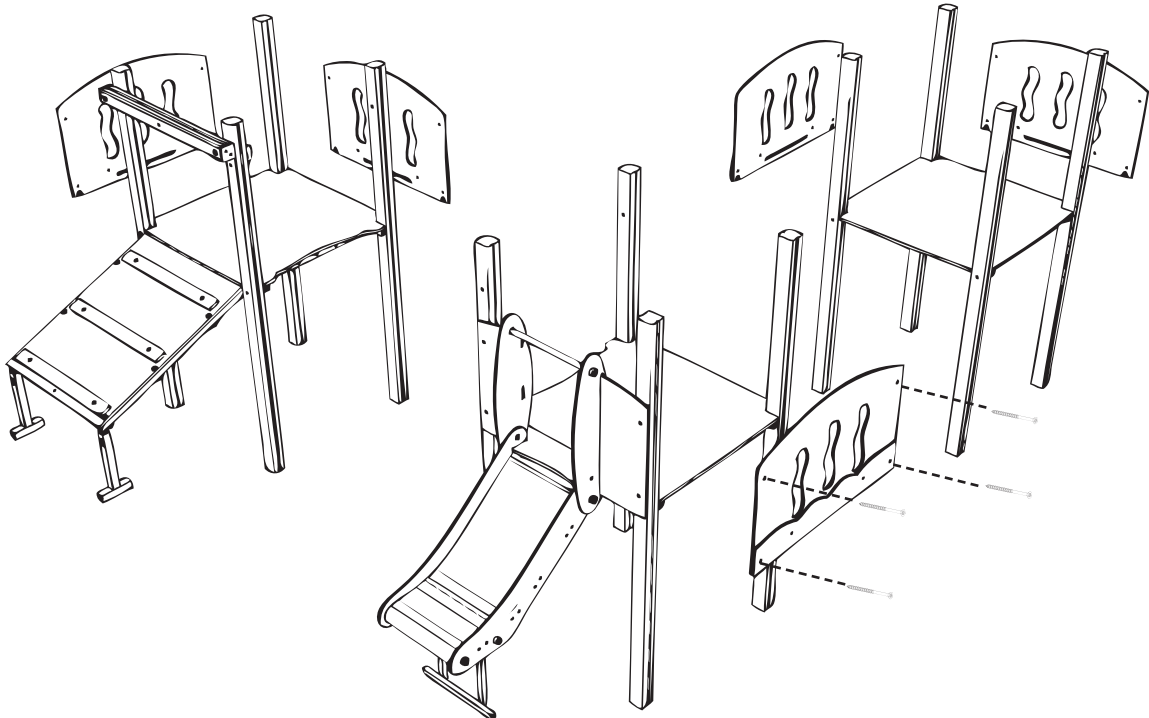


# Installation Instructions

**6**

## Attach the PANELS(x5) to the TIMBERS SHOWN

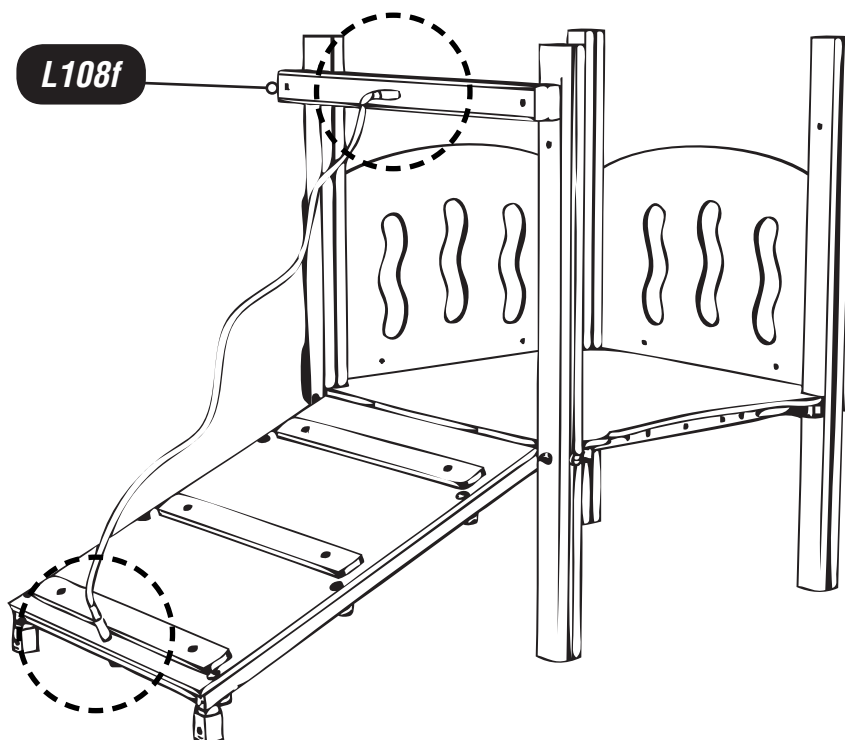
Using 4x 'FM80 Brass Screws' PER PANEL



**7**

## Attach the ROPE to the TIMBER L108f and FLOOR FRAME

Using 2x NYLOCS / 2x RED CAPS



# Installation Instructions

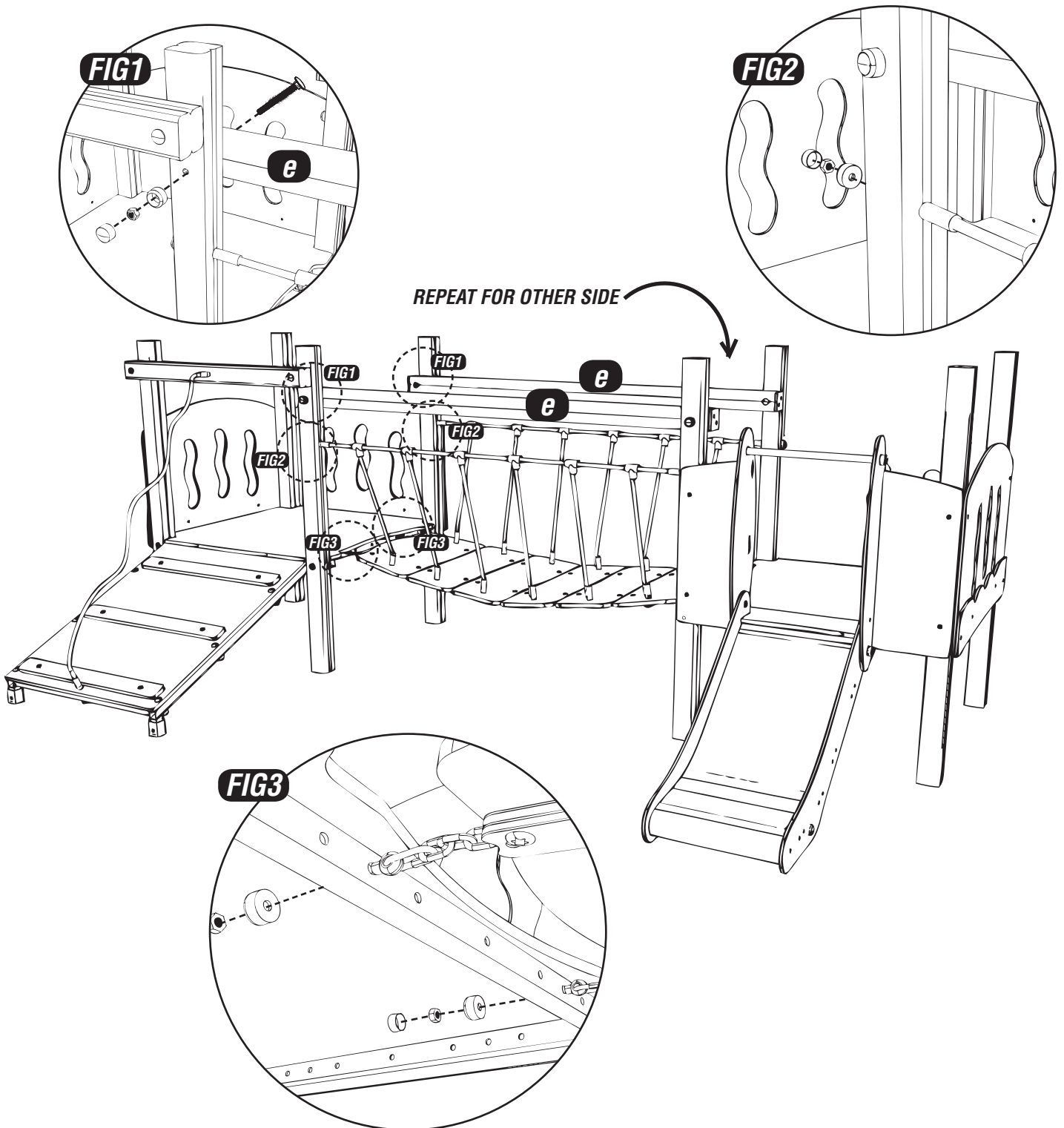
8

## ATTACH the CLATTERBRIDGE and TIMBERS L108e

Fig1 - ATTACH L108e TIMBERS USING 4 X M12 X 200 CUP SQUARE BOLTS / 4 X M12 NYLOCS / 4 X COVERED ENDS

Fig2 - ATTACH ROPES USING 4 X M12 NYLOCS / 4 X COVERED ENDS

Fig3 - ATTACH CLATTERBRIDGE CHAIN USING 4 X M12 NYLOCS / 4 X COVERED ENDS

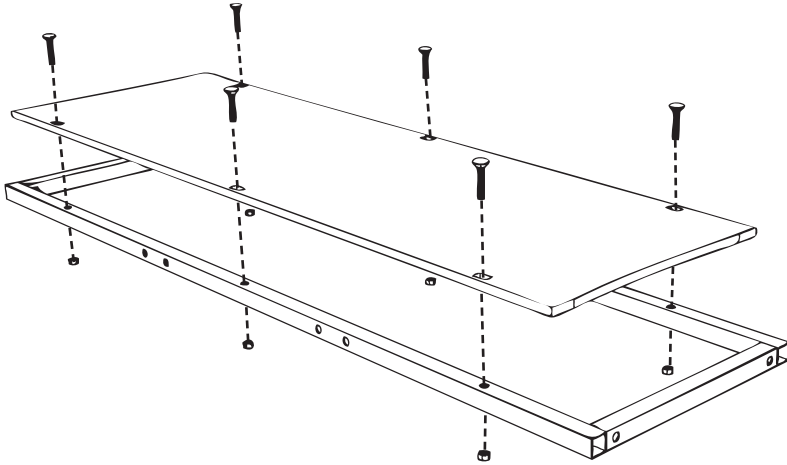


# Installation Instructions

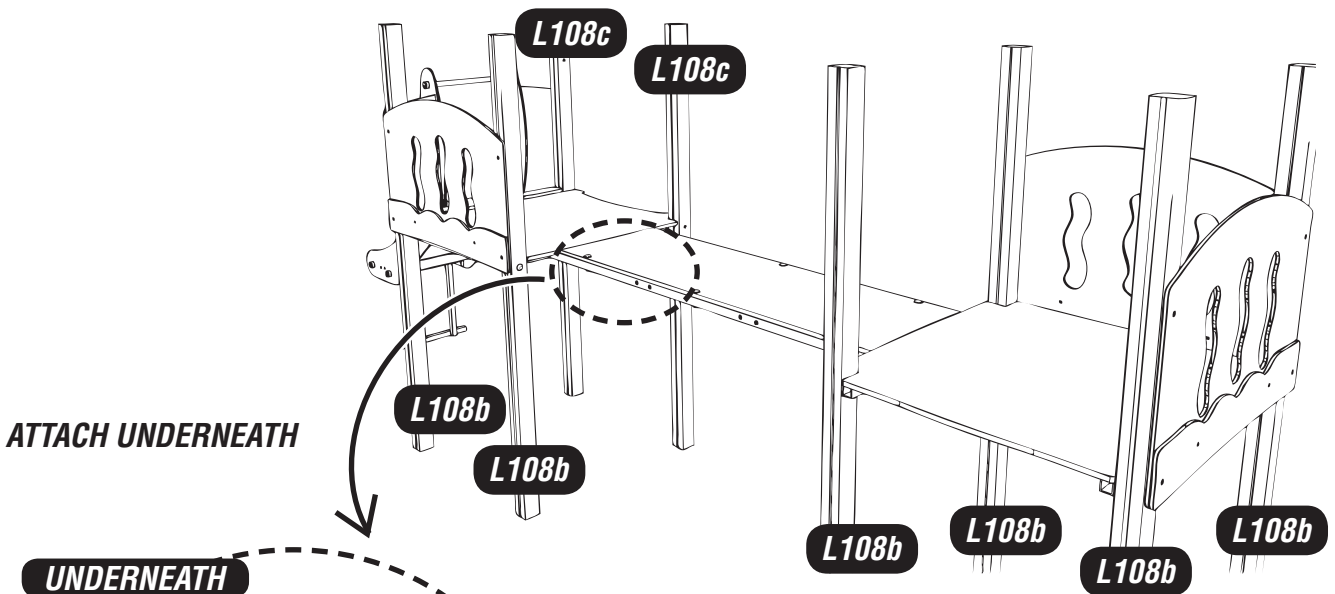
9

## CRAWLING TUBE - ATTACH THE HEXBOARD TO METAL FLOOR FRAME

USING 6 X M12 X 75 CUP SQUARE BOLTS / 6 X M12 NYLOCS / 6 X COVERED ENDS

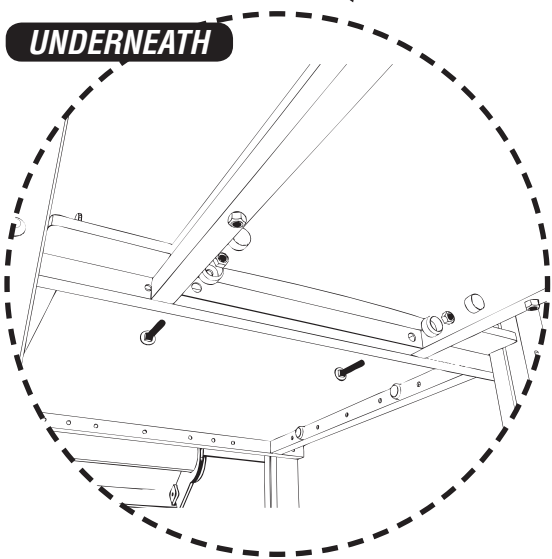


PLACE IN BETWEEN TOWERS



ATTACH UNDERNEATH

UNDERNEATH



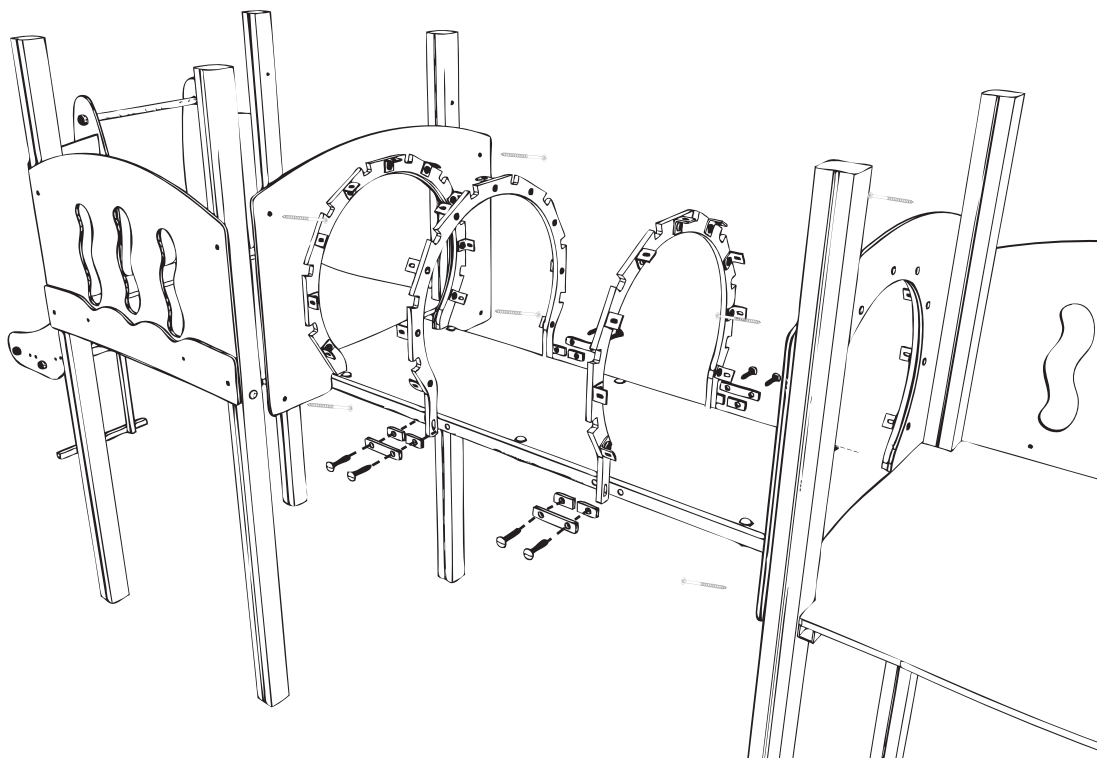
# Installation Instructions

**10**

## ATTACH THE ENTRANCE RINGS and CENTRE RINGS

ATTACH ENTRANCE RINGS USING FM80 BRASS SCREWS

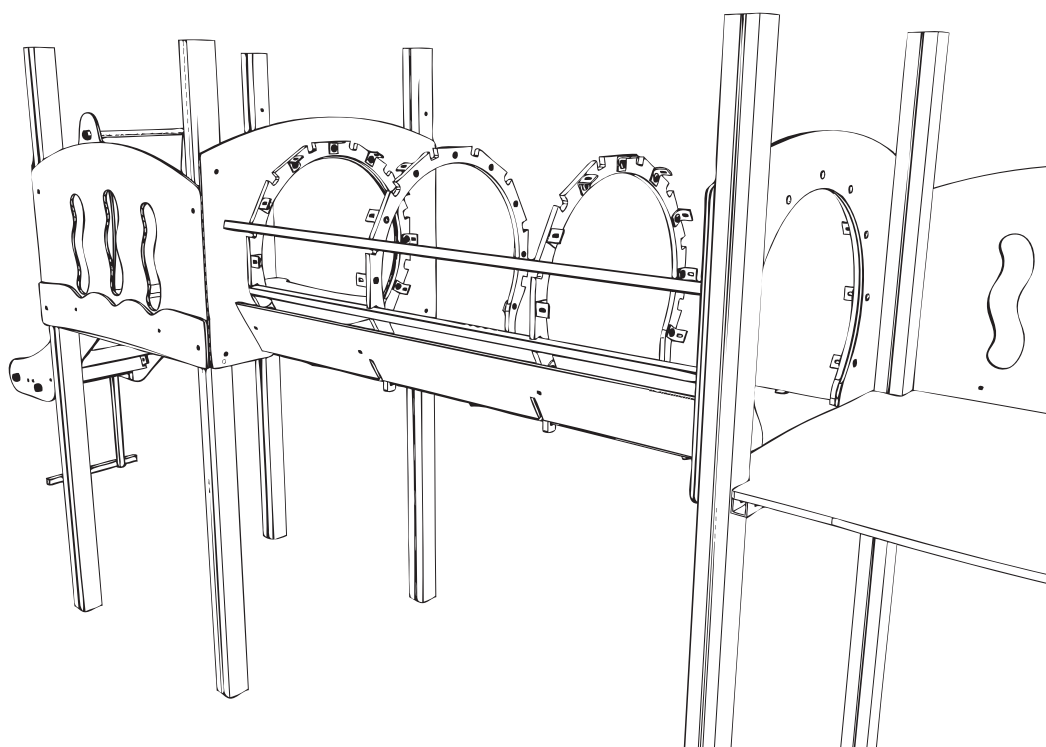
ATTACH CENTRE RINGS USING THE PLAYTEC CLIP SETS / M12 X 80mm SQUARE CUP BOLTS / M12 NYLOGS / M12 COVERED ENDS



**11**

## Attach FIRST/LAST PLAYTEC SLATS and 30X30 BOX SECTION to the RINGS

USING 08/N1 TORKTAINERS



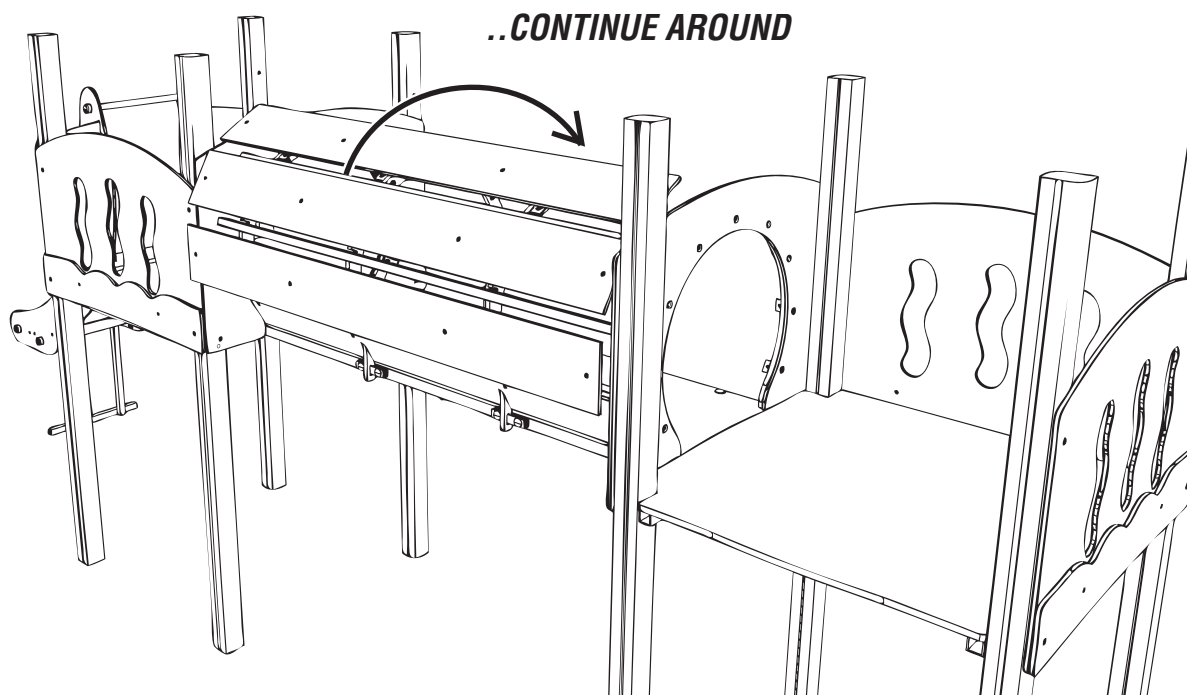


# Installation Instructions

**12**

**Attach REST of PLAYTEC SLATS and 30X30 BOX SECTION to RINGS**

USING OB/N1 TORKTAINERS

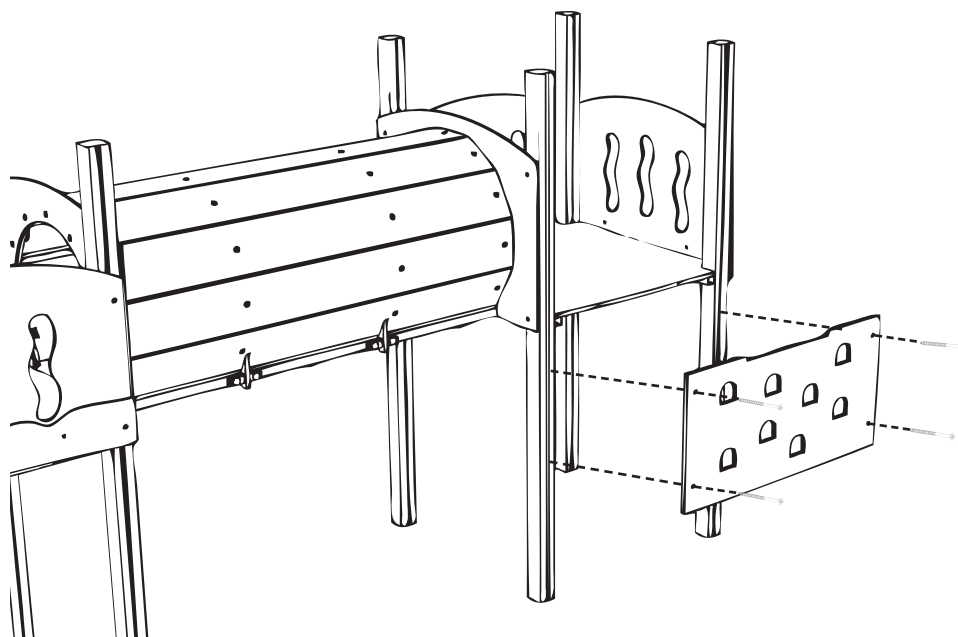


**ENSURE: THAT EACH SLAT IS AN ALTERNATIVE COLOUR.**  
e.g - ONE GREEN, ONE YELLOW, ONE GREEN, ONE YELLOW ETC.

**13**

**Attach CLIMBING WALL**

USING FM80 BRASS SCREWS



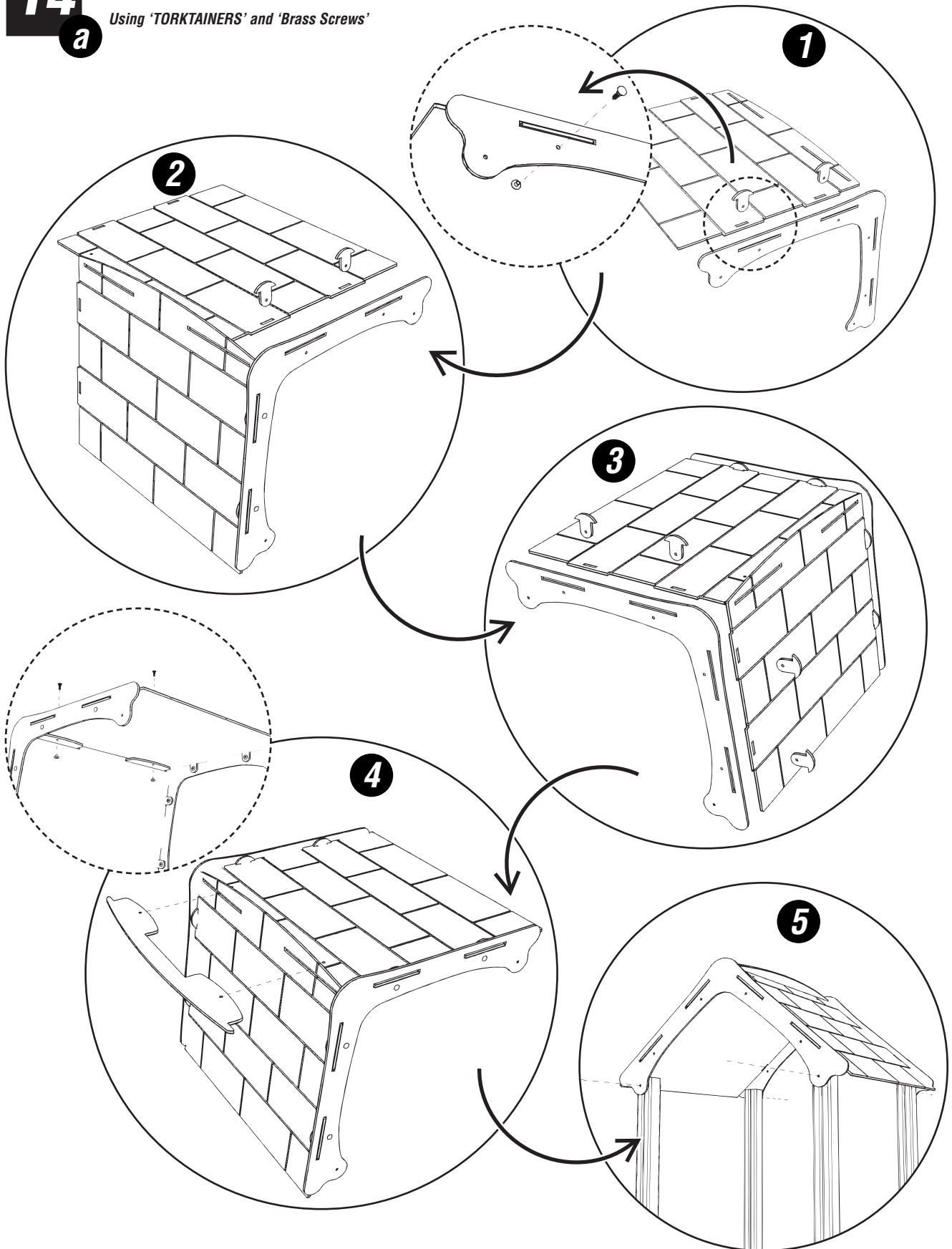
# Installation Instructions

**14**

## Attach the roof Parts (NORMAL ROOF)

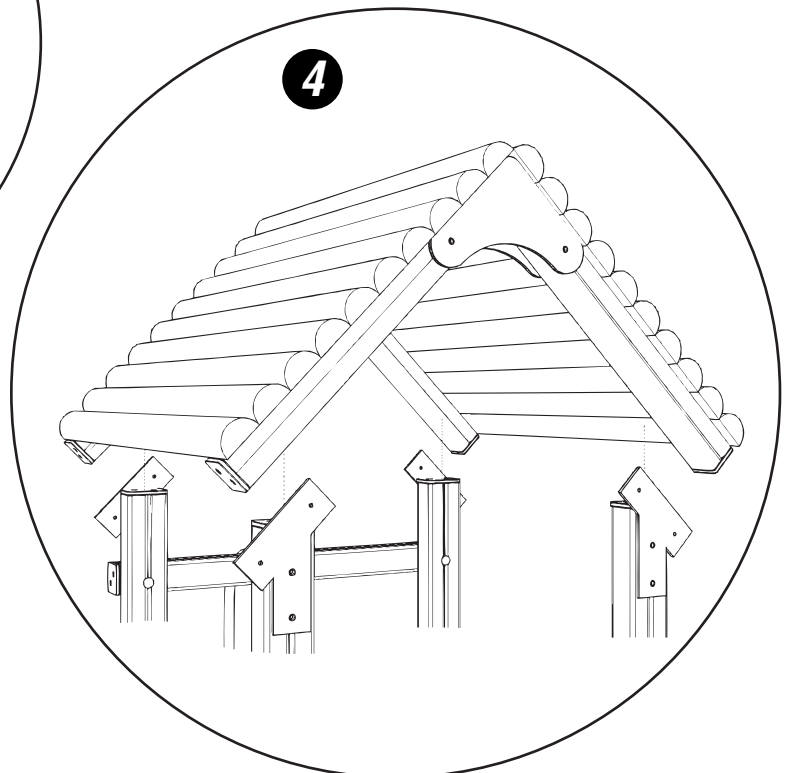
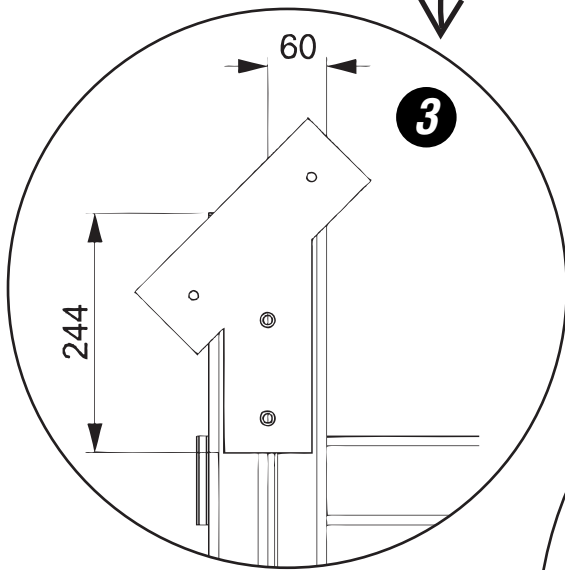
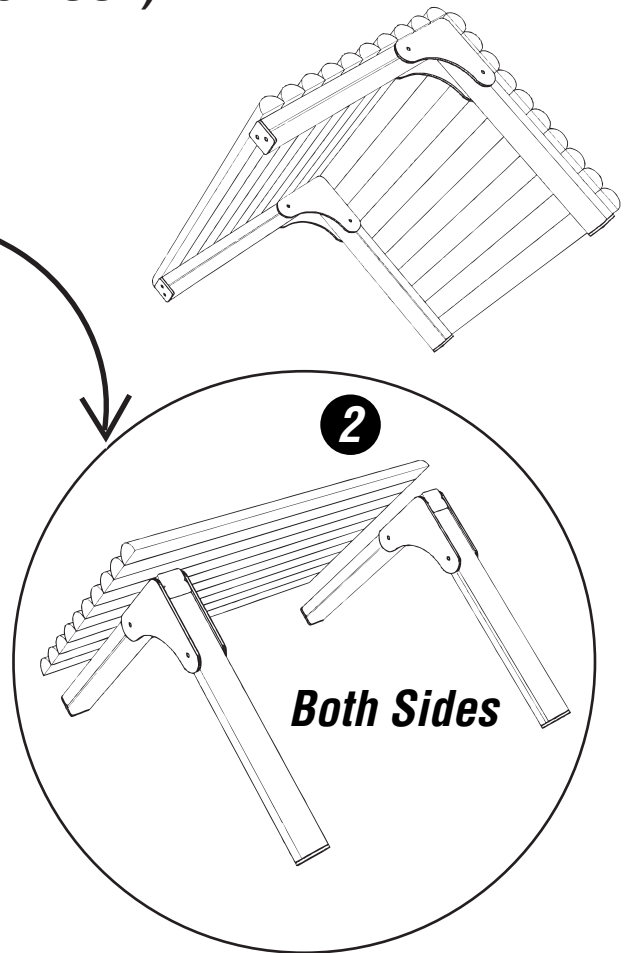
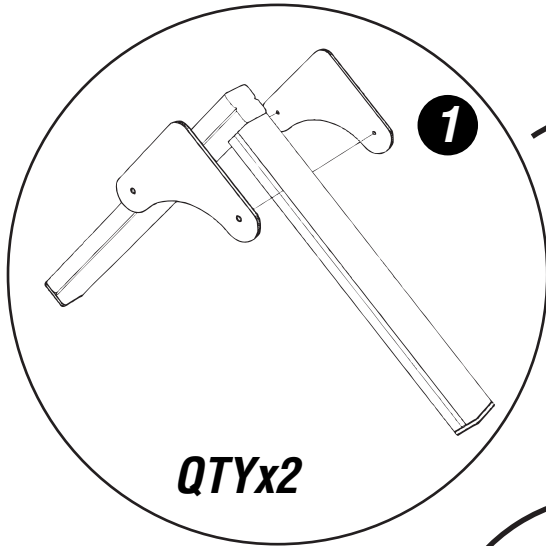
**a**

Using 'TORKTAINERS' and 'Brass Screws'



# Installation Instructions

## 14 **b** Attach the roof Parts (RUSTIC ROOF) Using 'Brass Screws'



# Additional Dimensions

