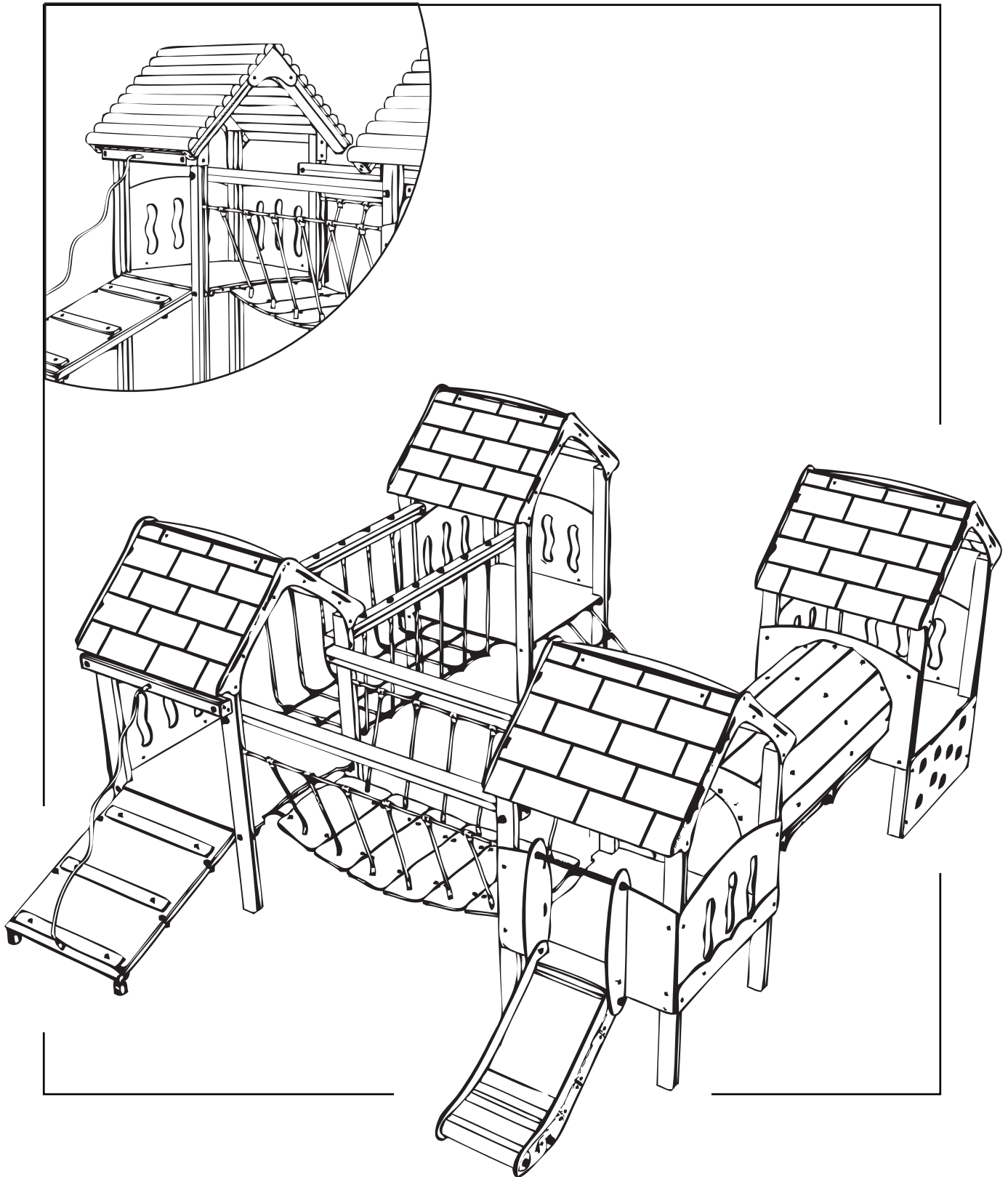


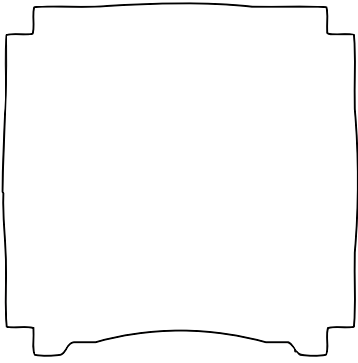
LILLIPUT PLAYTOWN FOUR

Installation Instructions

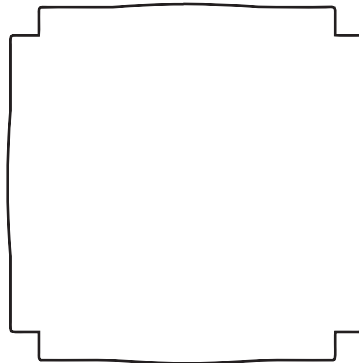
creative
play



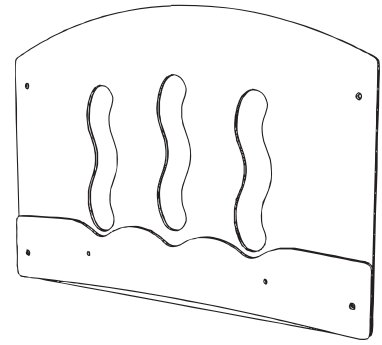
PARTS required



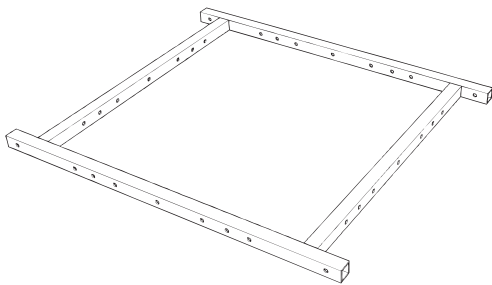
x2 (90 x 90 CLATTERBRIDGE FLOOR)



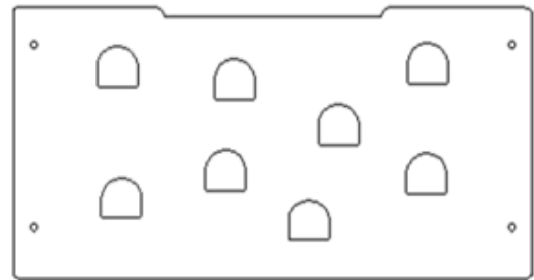
x2 (90 x 90 STANDARD FLOOR)



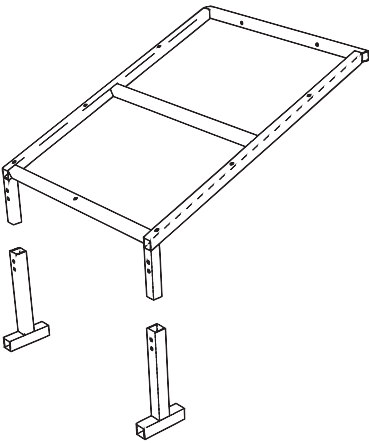
x6 (PRE-ASSEMBLED PANEL)



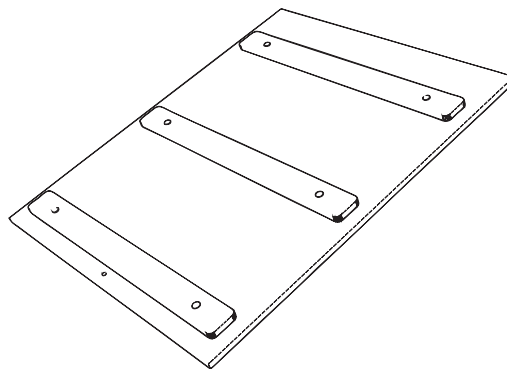
x4 (TOWERS STANDARD FLOOR 90x90)



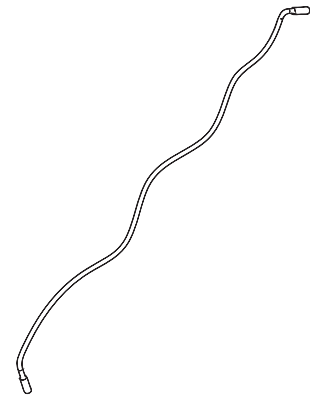
x1 (LILLIPUT CLIMBING WALL)



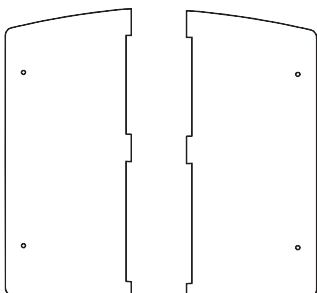
x1 (RAMP METAL FRAME)



x1 (RAMP HEX)

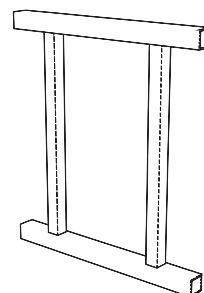


x1 (RAMP PULL ROPE)



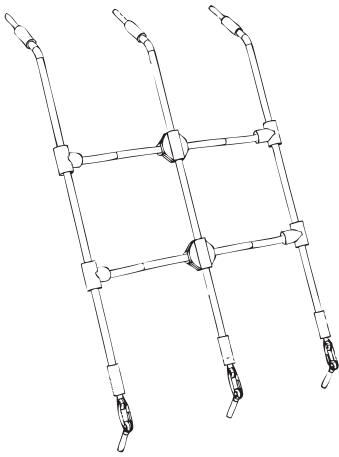
x1 LEFT (SLIDE SIDE)

x1 RIGHT (SLIDE SIDE)

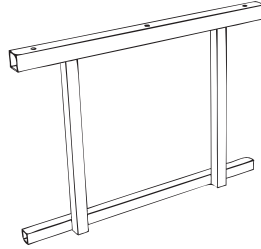


x1 (SLIDE METAL FRAME)

PARTS required



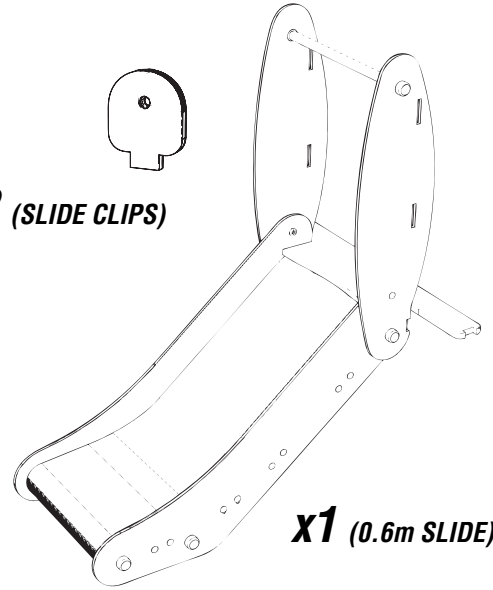
x1 (NET CLIMBER)



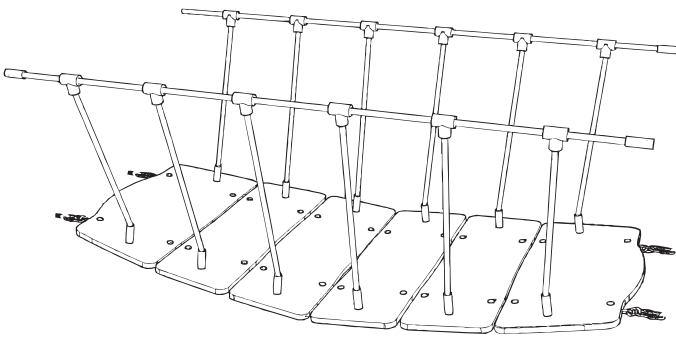
x1 (CLIMBER GROUND ANCHOR)



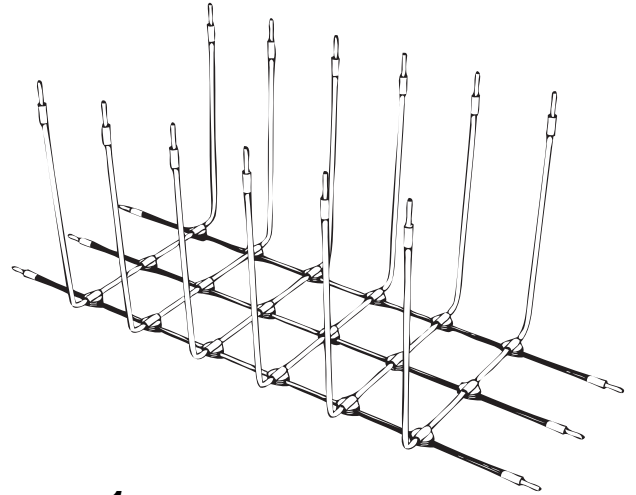
x2 (SLIDE CLIPS)



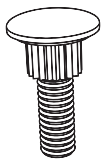
x1 (0.6m SLIDE)



x1 (CLATTERBRIDGE)



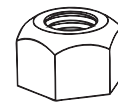
x1 (NET TUNNEL)



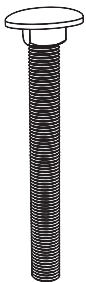
x2 (M12 - TORKTAINER)



x2 (M4 - TORKTAINER)



x58 (M12 'NYLOC')



x10 (M12 x 200 SQUARE CUP HEX BOLTS)

x12 (M12 x 150 SQUARE CUP HEX BOLTS)

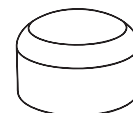
x2 (M12 x 100 SQUARE CUP HEX BOLTS)

x6 (M12 x 75 SQUARE CUP HEX BOLTS)



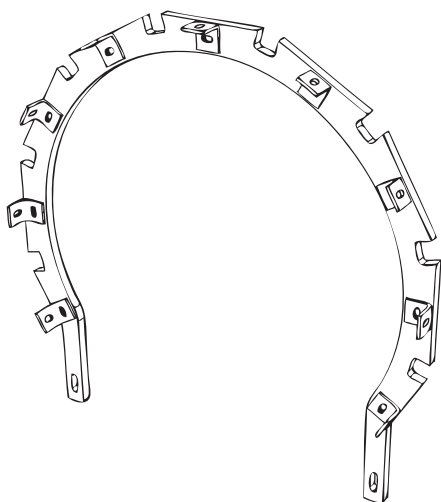
x3 (FM40' Brass screws')

x34 (FM80' Brass screws')

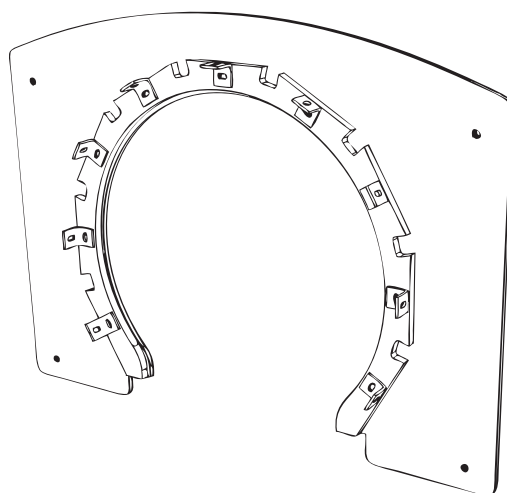


x58 (Covered Ends)

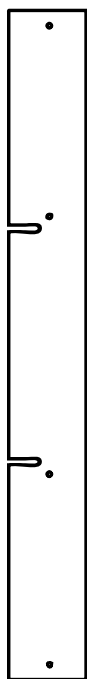
PARTS required (CRAWLING TUNNEL)



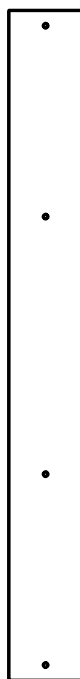
x2 (CENTRAL HEX RINGS)



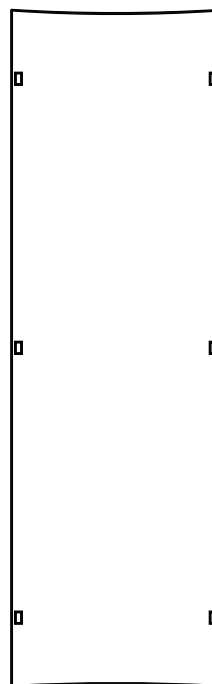
x2 (PLAYTEC TUNNEL ENTRANCES)



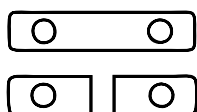
x2 (FIRST/LAST PLAYTEC SLAT)



x7 (PLAYTEC SLAT)

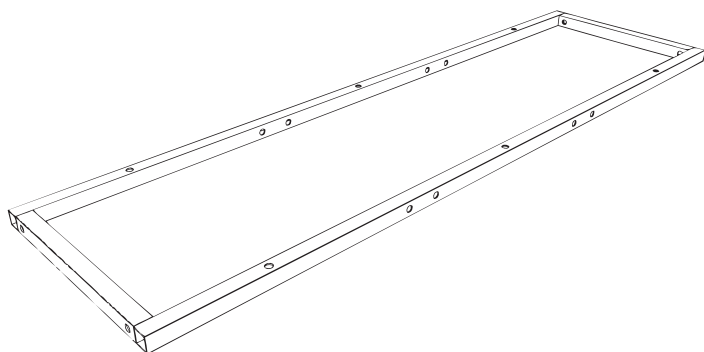


x1 (HEX FLOOR)

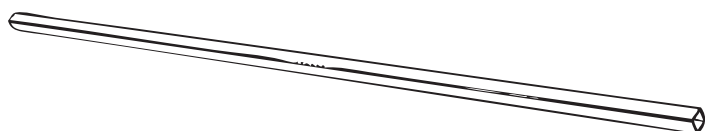


x4 (PLAYTEC CLIPS SET)

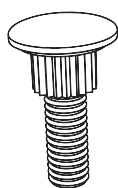
PARTS required (CRAWLING TUNNEL)



x1 (40X40 BOX SECTION PRE-ASSEMBLED FLOOR)



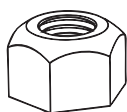
x8 (30X30 BOX SECTION)



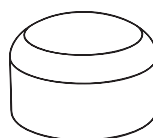
x36 (0B- TORKTAINER)



x36 (N1 - TORKTAINER)



x18 (M12 'NYLOC')



x18 (Covered Ends)



x4 (M12 x 100 SQUARE CUP HEX BOLTS)


x8 (M12 x 80 SQUARE CUP HEX BOLTS)

x6 (M12 x 75 SQUARE CUP HEX BOLTS)

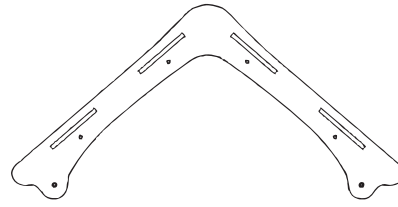


x8 (FM80' Brass screws')

PARTS required (STANDARD ROOF)

 **x32** (ROOF CLIPS)

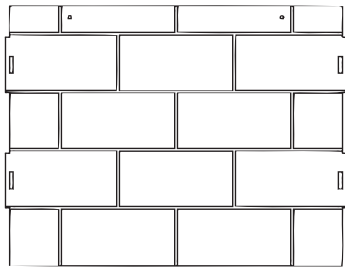
 **x4** (TOP ROOF CLIP)

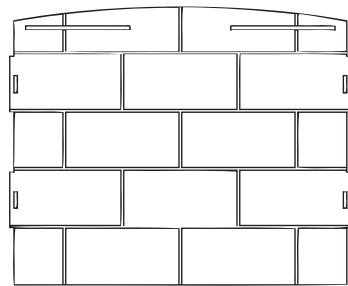
 **x8** (SIDE ROOF)

 **x40** (N1 - TORKTAINER)

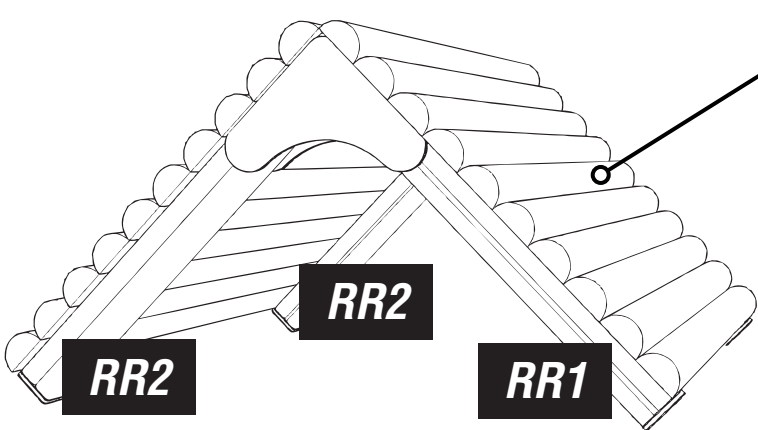
 **x40** (3B - TORKTAINER)


 **x16** (FM80 ' Brass screws')

 **x4** (FRONT ROOF)

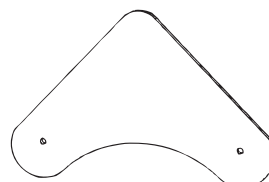
 **x4** (BACK ROOF)

PARTS required (RUSTIC ROOF)

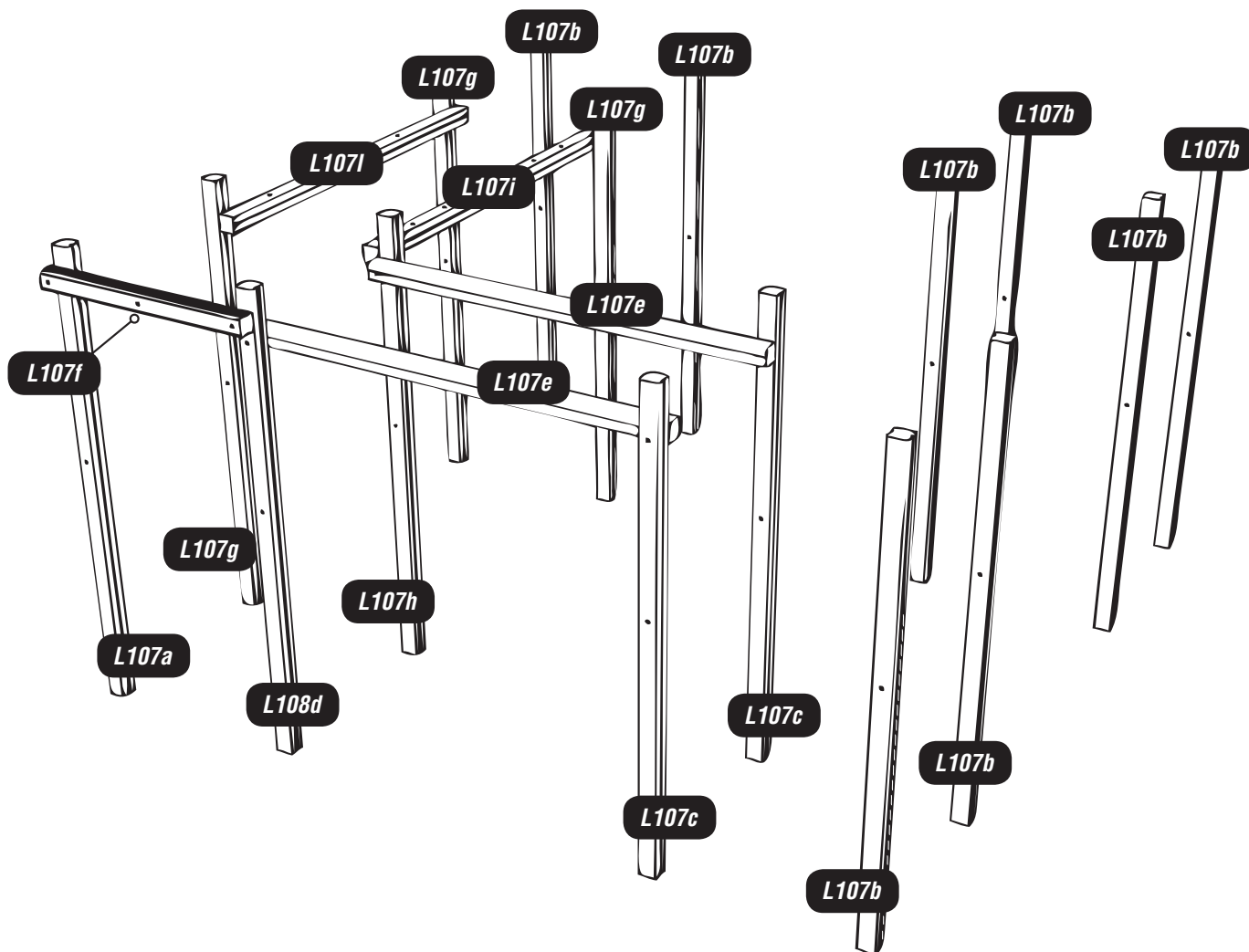
 **RR3** **x80** (HALF ROUND TIMBERS)
RR2 **x8**
RR1 **x8**

 **x256** (FM80 ' Brass screws')

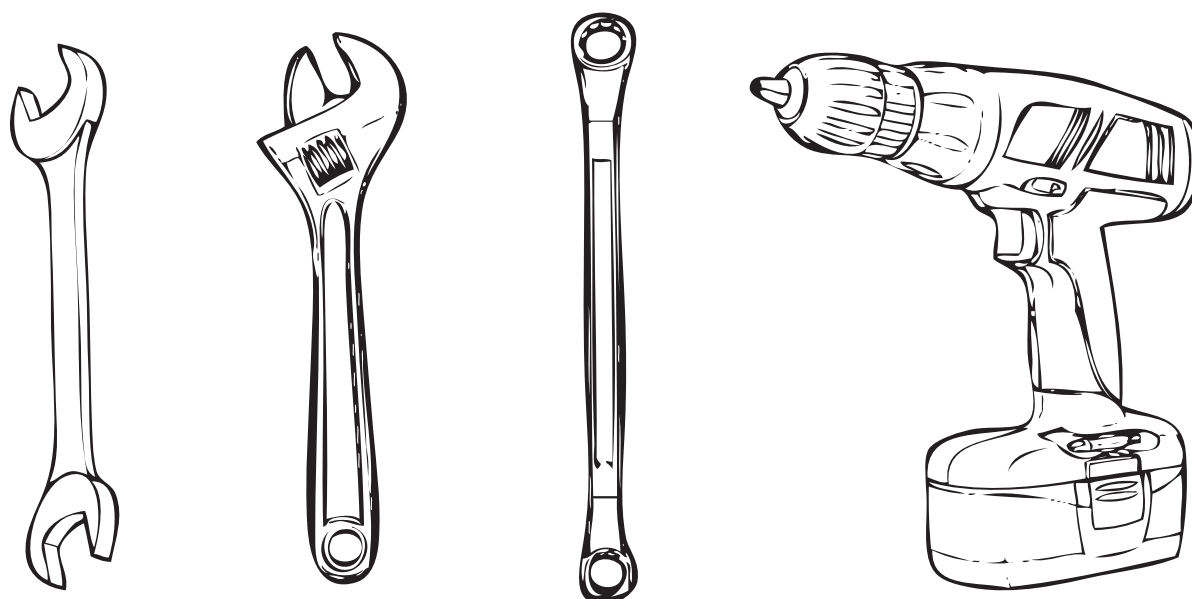
 **x8 LEFT** (SIDES RUSTIC ROOF)
x8 RIGHT (SIDES RUSTIC ROOF)

 **x16** (TOP RUSTIC ROOF)

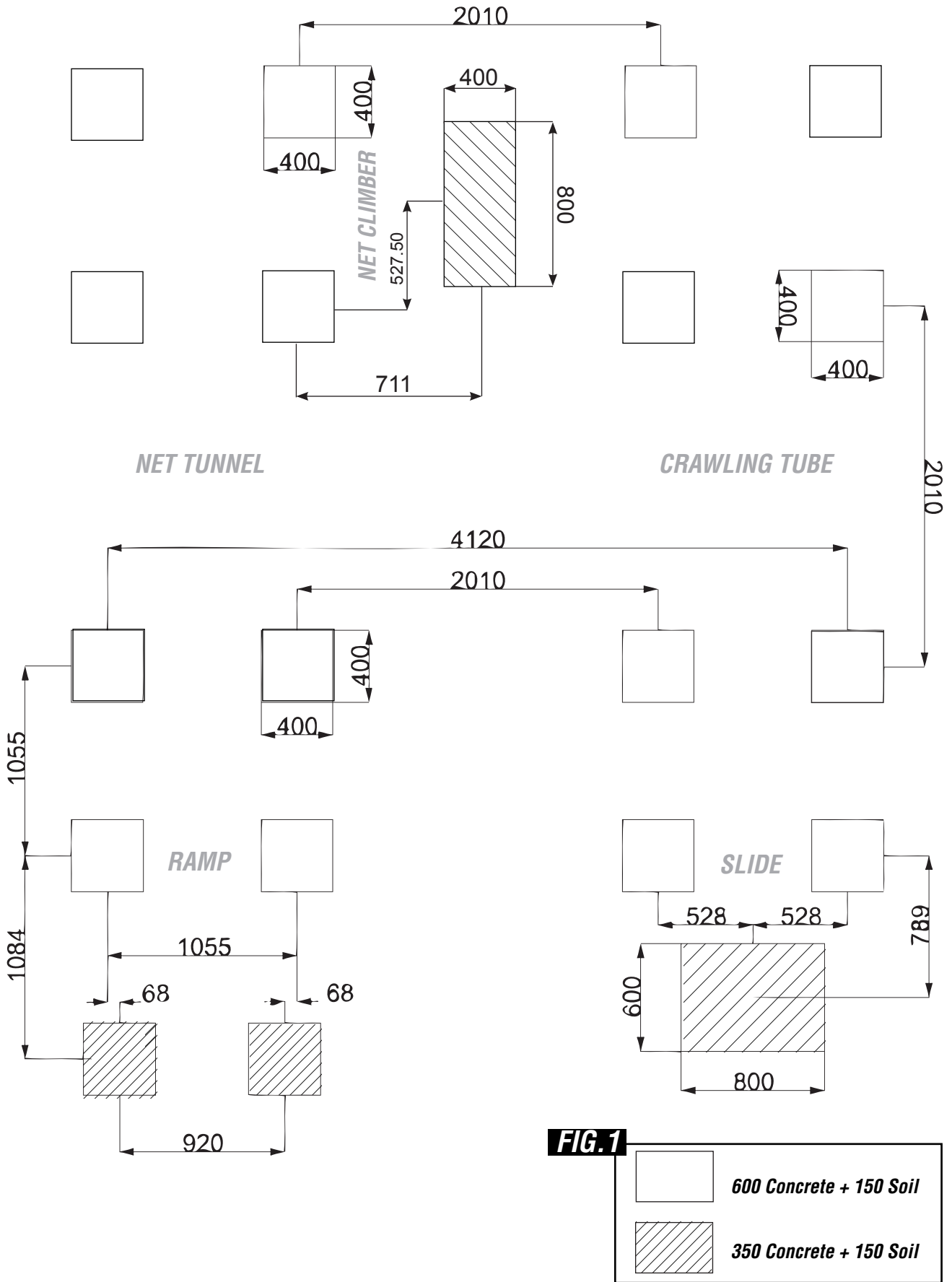
TIMBERS required



TOOLS required

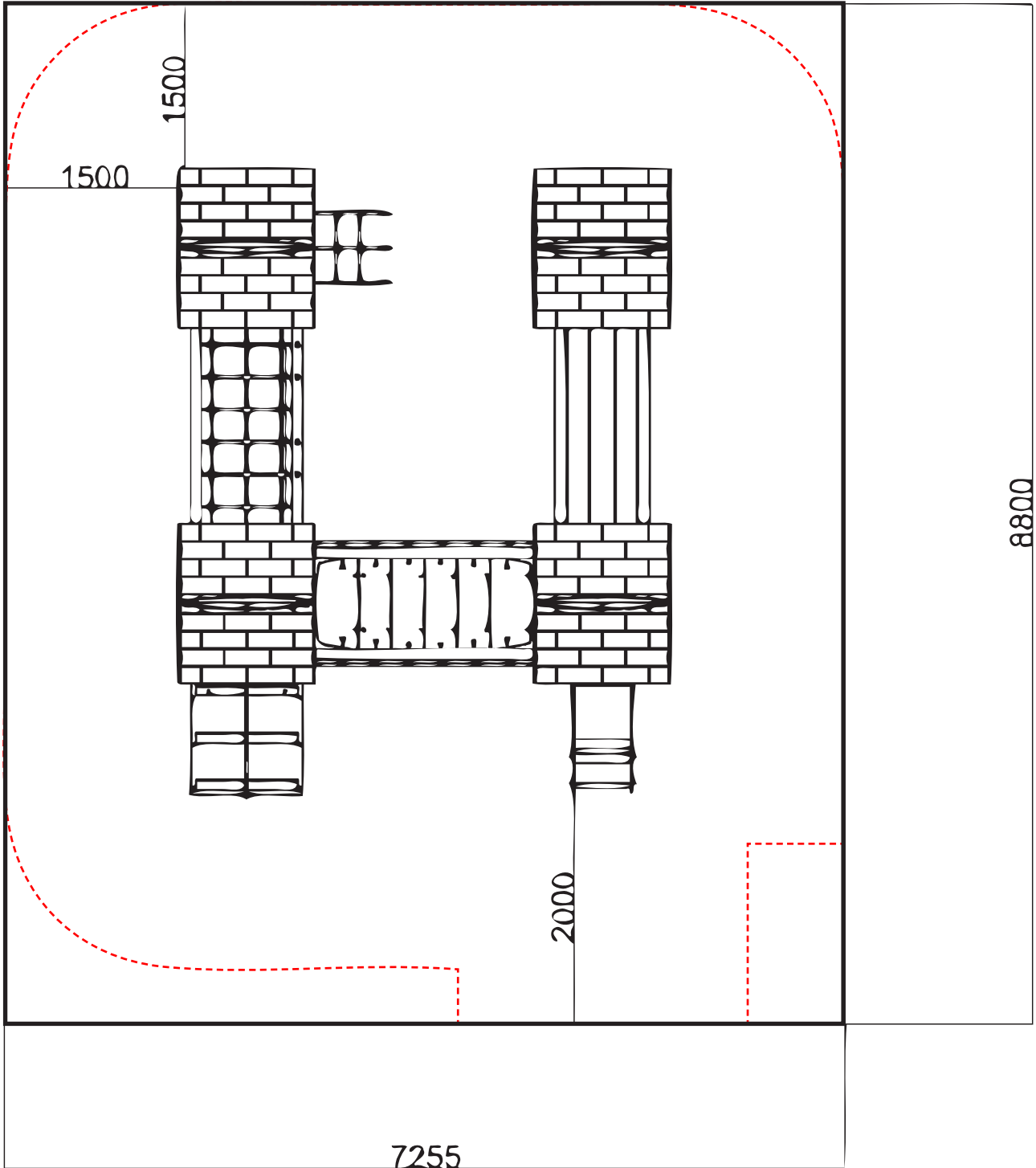


Foundation Details



Surfacing Details

- - - = MINIMUM SPACE
- = SURFACE AREA

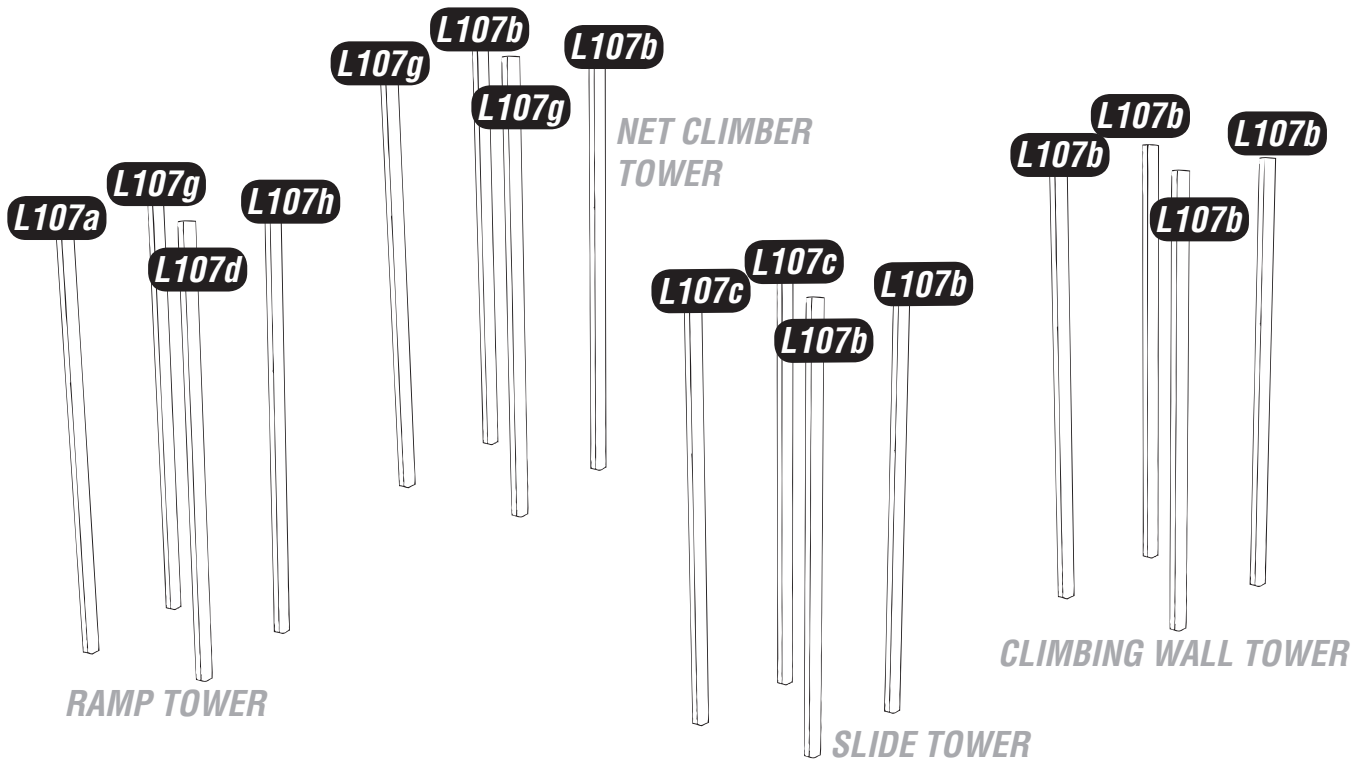


Installation Instructions

1

Install timber UPRIGHTS L107a-h

Follow foundation details



RAMP TOWER

NET CLIMBER TOWER

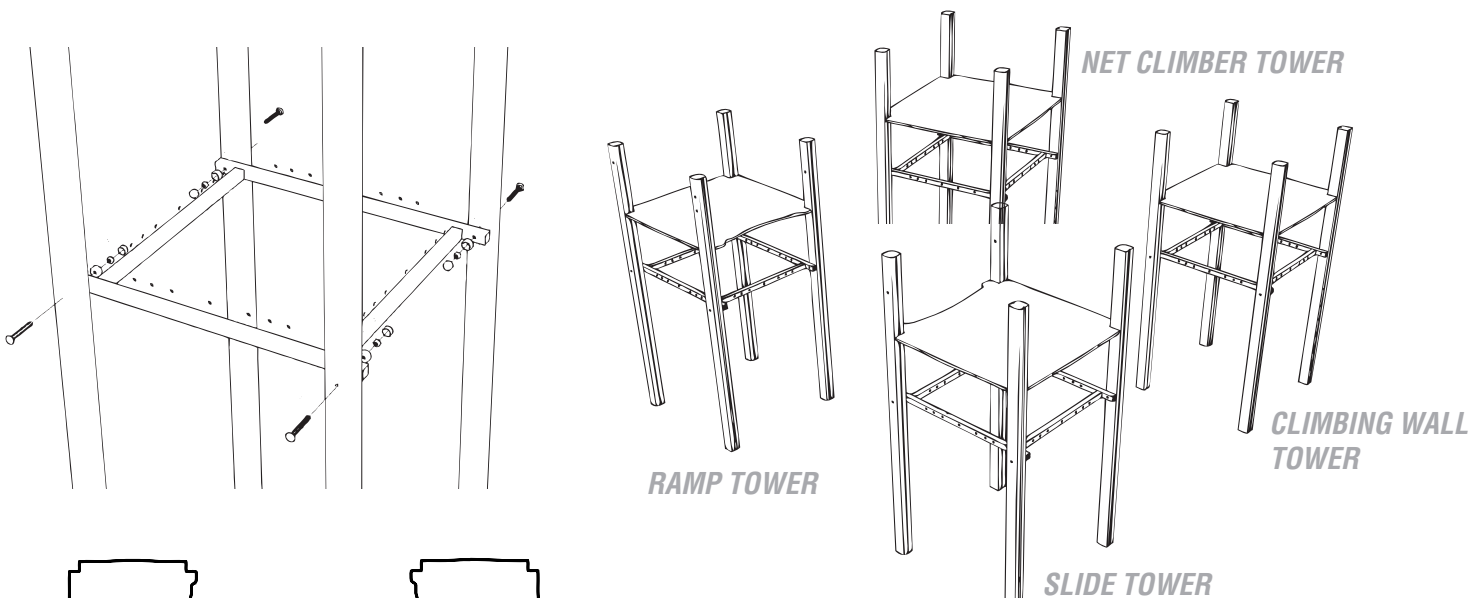
SLIDE TOWER

CLIMBING WALL TOWER

2

Attach the CLATTERBRIDGE HEX floor to timbers on RAMP AND SLIDE TOWERS and STANDARD HEX FLOOR to NET CLIMBER AND CLIMING WALL timbers

Using 4x150mm M12 SQUARE CUP HEX BOLTS/ 4x Nylocs / 4x RED CAPS - PER FLOOR

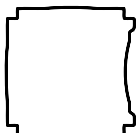


RAMP TOWER

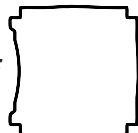
NET CLIMBER TOWER

SLIDE TOWER

CLIMBING WALL TOWER



CLATTERBRIDGE



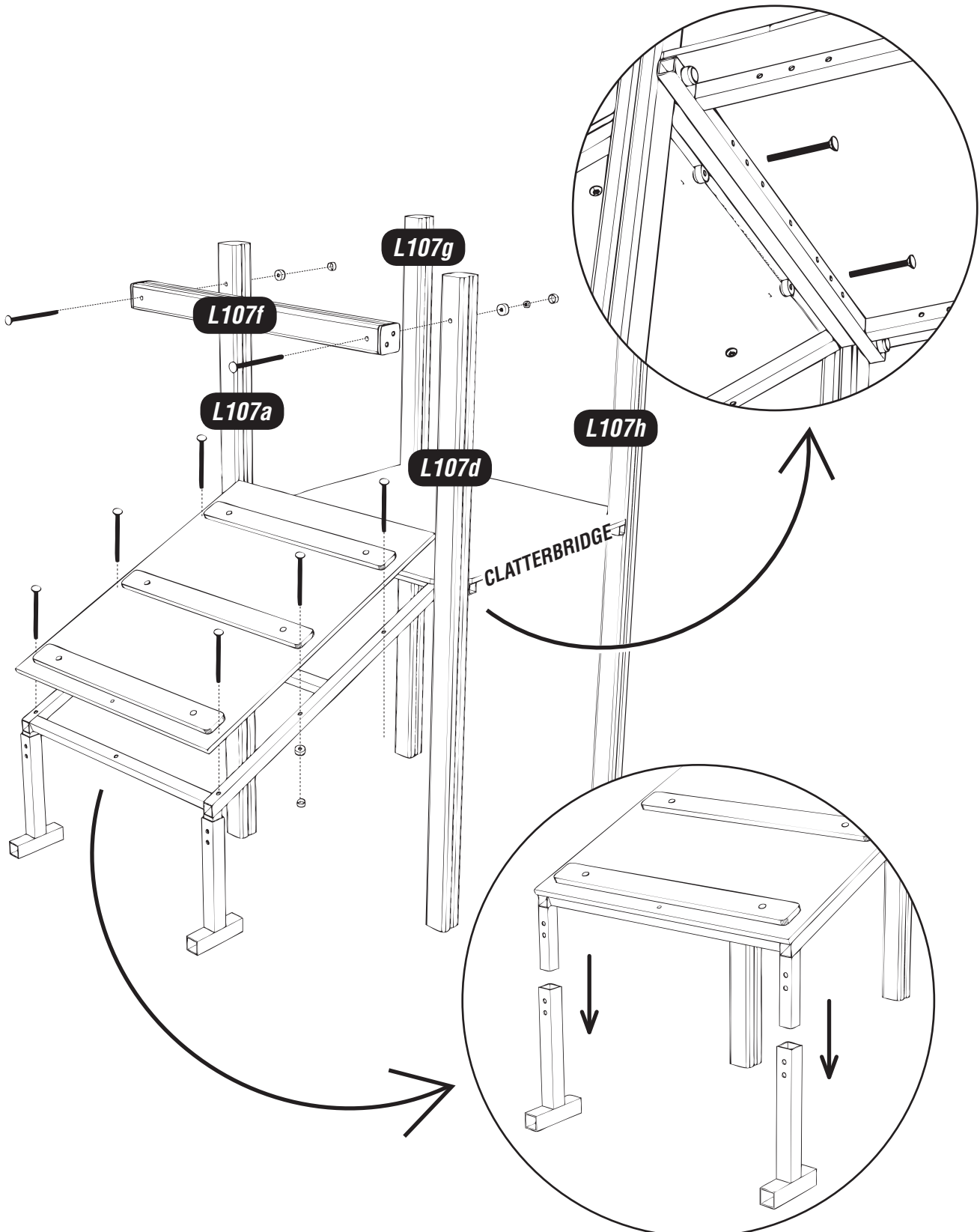
ENSURE: RAMP AND SLIDE TOWER FLOOR CURVES FACE CLATTERBRIDGE

Installation Instructions

3

Install the RAMP to the floor METAL FRAME and LEGS

Using (2X200mm - RAMP PULL TIMBER) (2x100mm - FIX RAMP TO FLOOR) (6X70mm - FIX HEX TO RAMP) M12 SQUARE CUP HEX BOLTS/ 10x M12 Nylocs / 10x COVERED ENDS
Using 2x 5B TORKTAINER / 2x N4 TORKTAINER fix the box section legs

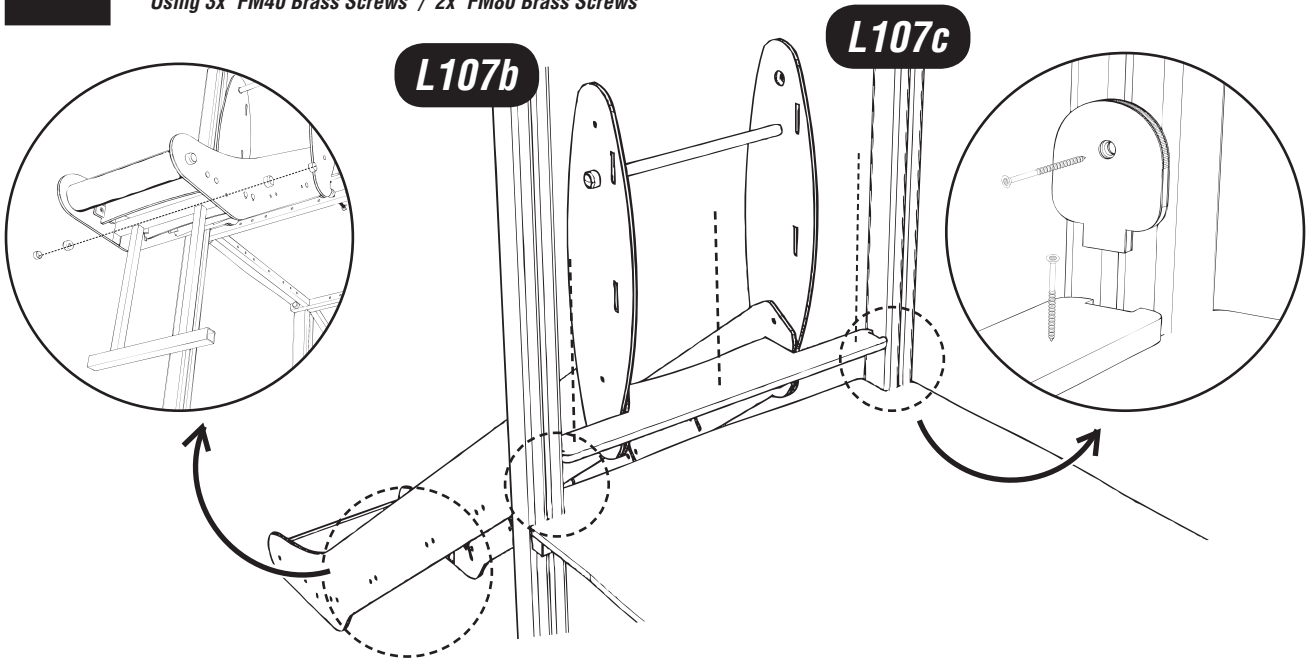


Installation Instructions

4

ON OTHER TOWER - Attach the SLIDE to the HEXBOARD FLOOR

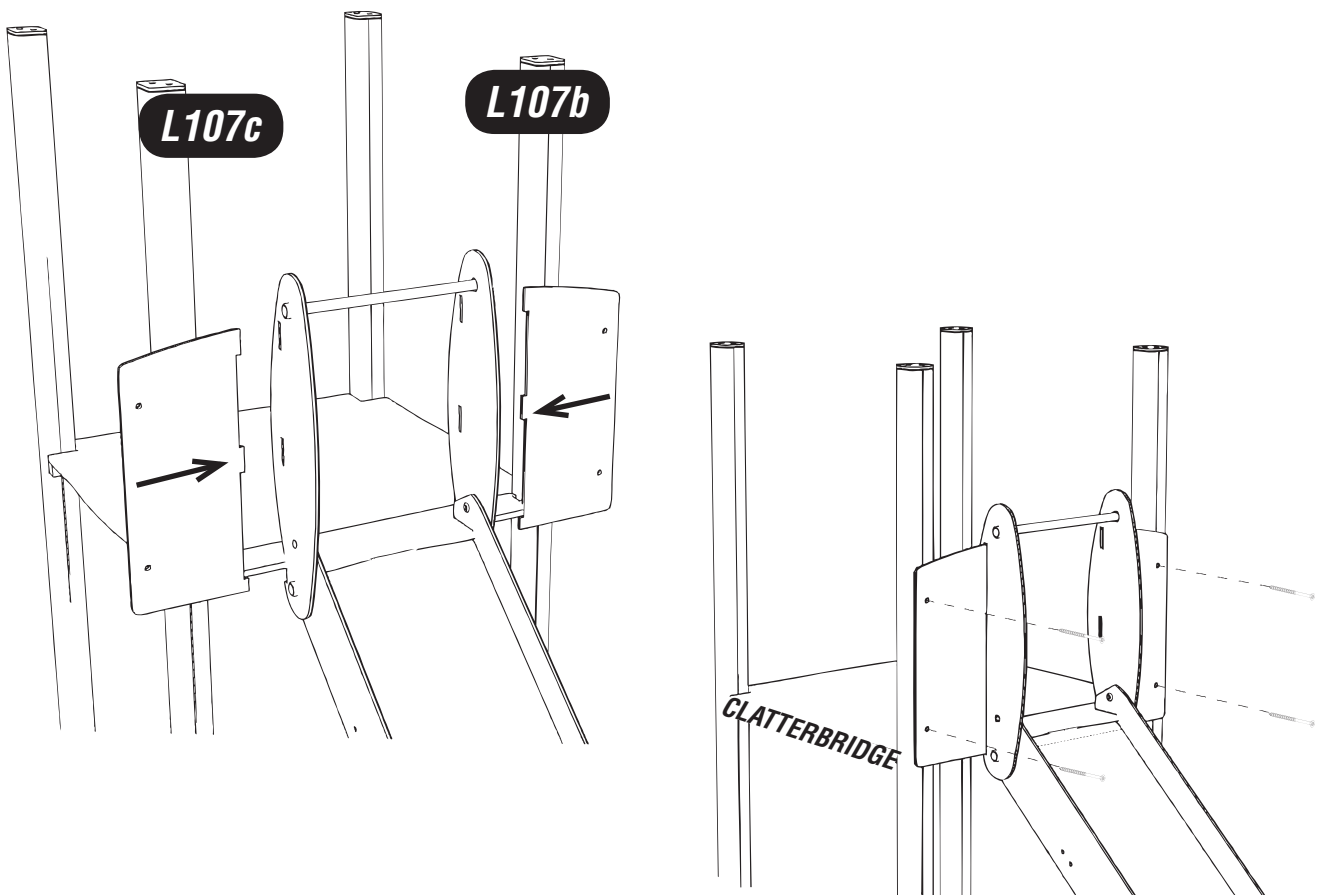
Using 3x 'FM40 Brass Screws' / 2x 'FM80 Brass Screws'



5

Insert the SLIDE SIDES to the SLIDE and to the timbers L107b/L107c

USING 4x 'FM80 Brass Screws'

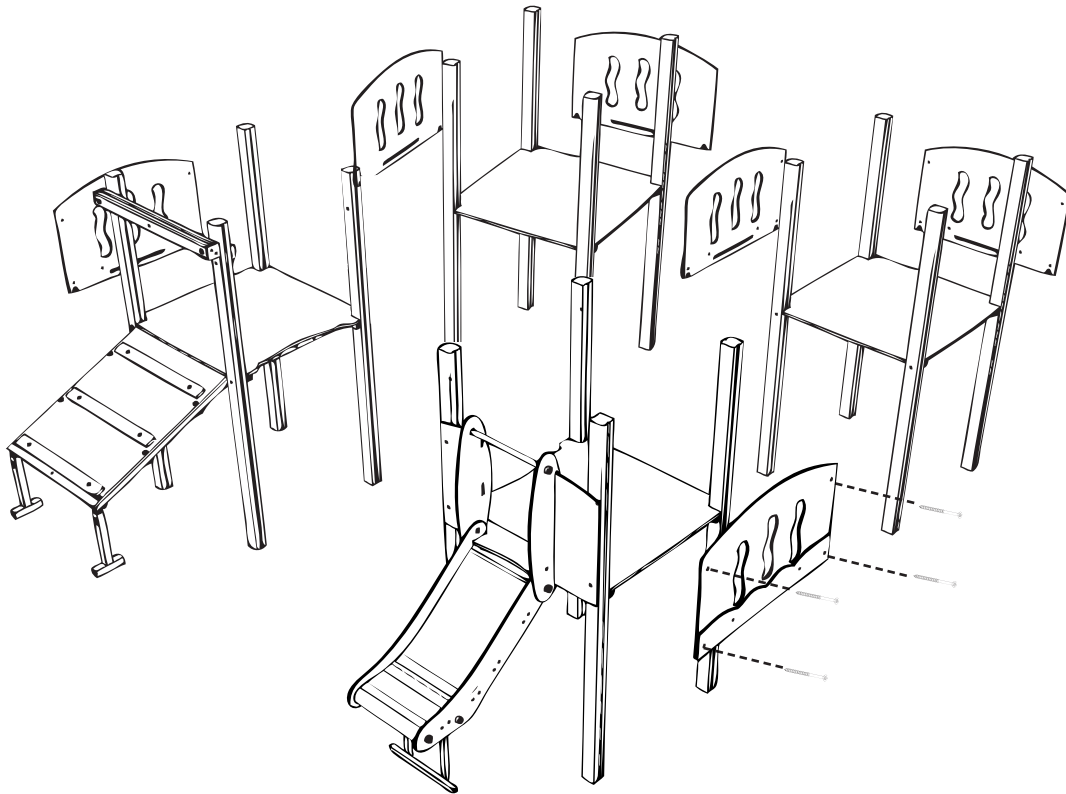


Installation Instructions

6

Attach the PANELS (x6) to the TIMBERS SHOWN

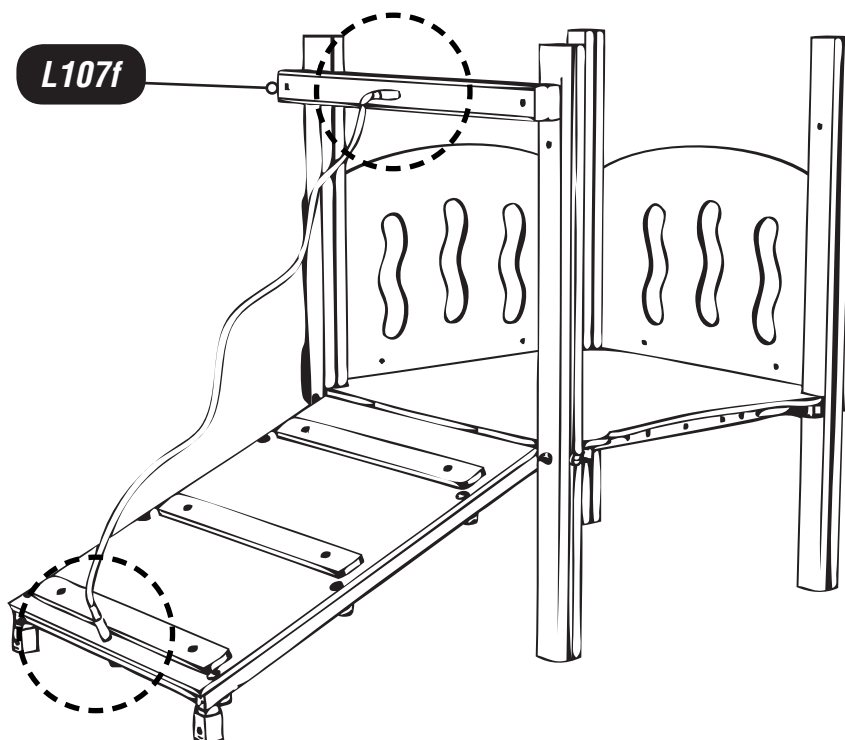
Using 4x 'FM80 Brass Screws' PER PANEL



7

Attach the ROPE to the TIMBER L107f and FLOOR FRAME

Using 2x NYLOCS / 2x RED CAPS



Installation Instructions

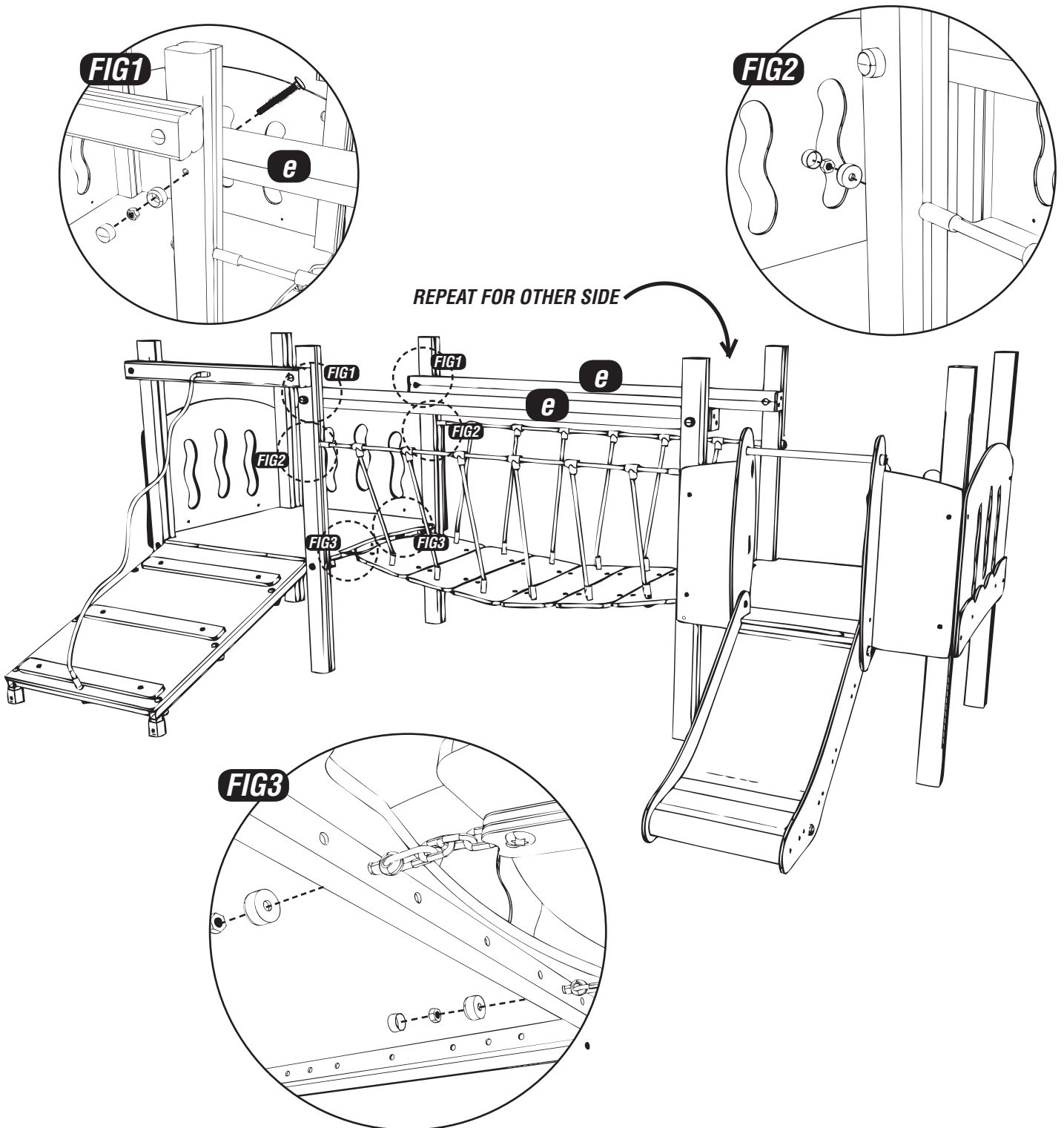
8

ATTACH the CLATTERBRIDGE and TIMBERS L107e

Fig1 - ATTACH L107e TIMBERS USING 4 X M12 X 200 CUP SQUARE BOLTS / 4 X M12 NYLOCS / 4 X COVERED ENDS

Fig2 - ATTACH ROPES USING 4 X M12 NYLOCS / 4 X COVERED ENDS

Fig3 - ATTACH CLATTERBRIDGE CHAIN USING 4 X M12 NYLOCS / 4 X COVERED ENDS

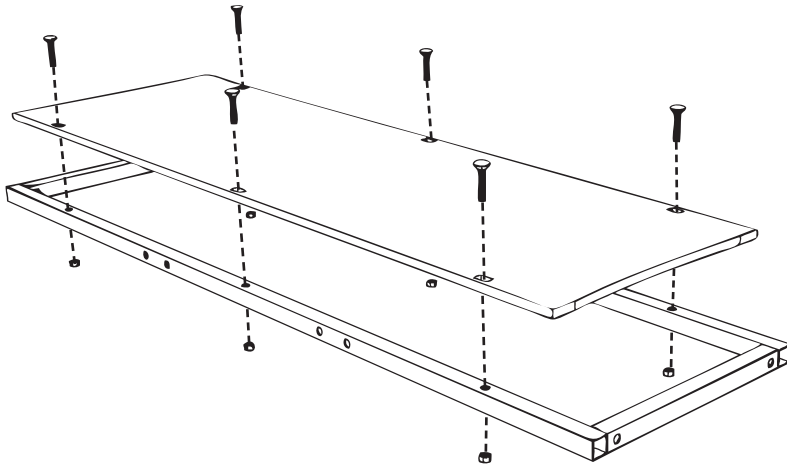


Installation Instructions

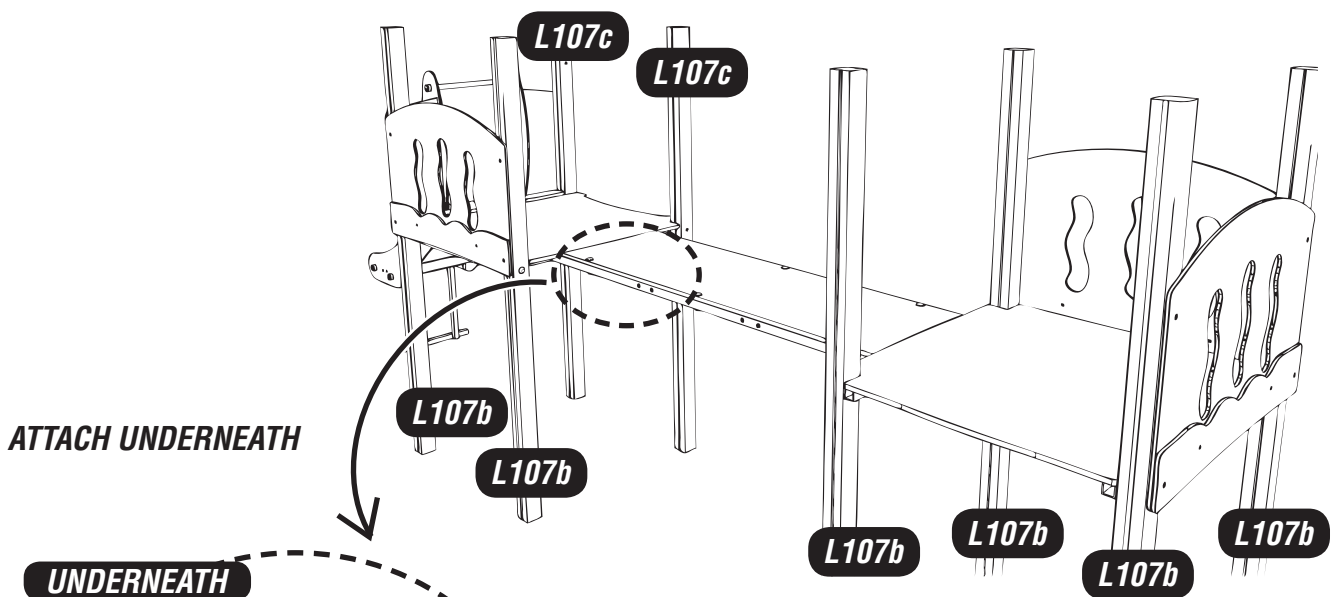
9

CRAWLING TUBE - ATTACH THE HEXBOARD TO METAL FLOOR FRAME

USING 6 X M12 X 75 CUP SQUARE BOLTS / 6 X M12 NYLOCS / 6 X COVERED ENDS



PLACE IN BETWEEN TOWERS



ATTACH UNDERNEATH

UNDERNEATH

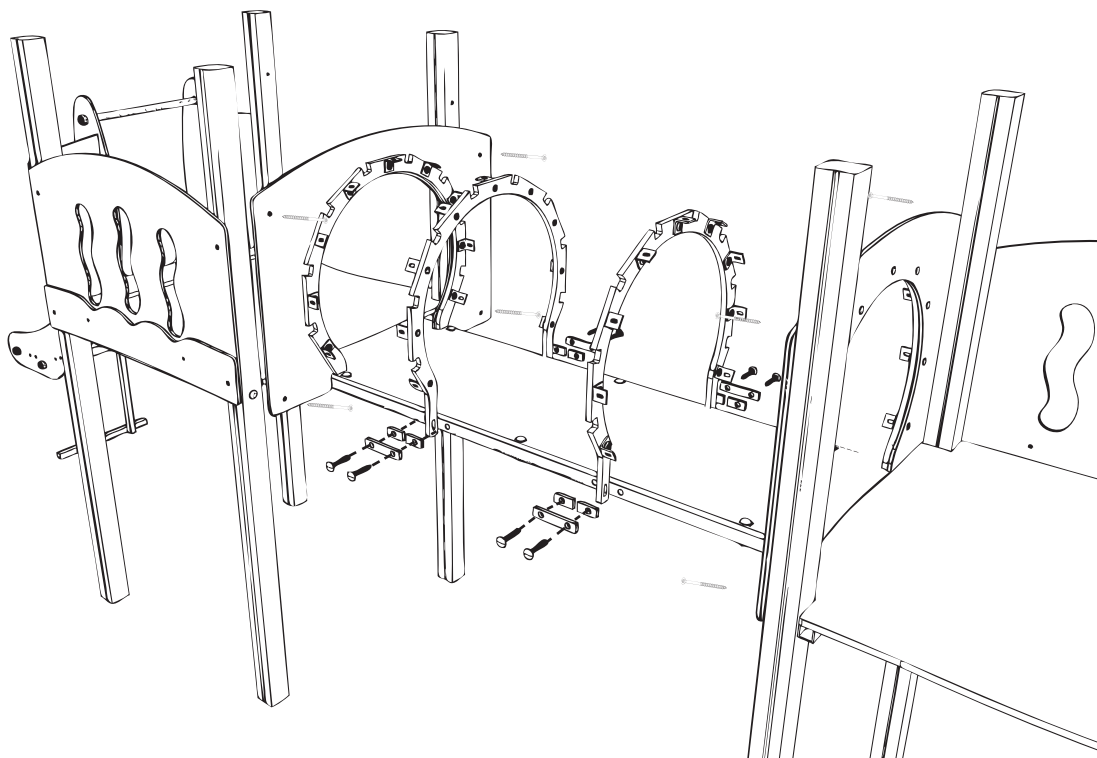
Installation Instructions

10

ATTACH THE ENTRANCE RINGS and CENTRE RINGS

ATTACH ENTRANCE RINGS USING FM80 BRASS SCREWS

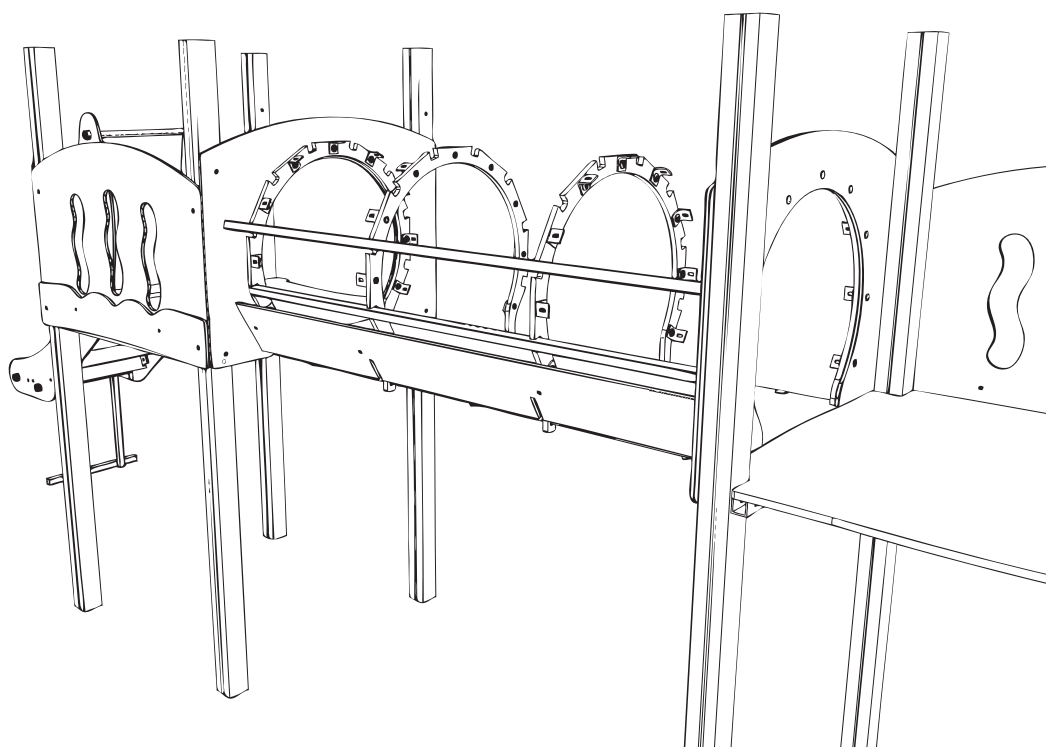
ATTACH CENTRE RINGS USING THE PLAYTEC CLIP SETS / M12 X 80mm SQUARE CUP BOLTS / M12 NYLOGS / M12 COVERED ENDS



11

Attach FIRST/LAST PLAYTEC SLATS and 30X30 BOX SECTION to the RINGS

USING 08/N1 TORKTAINERS

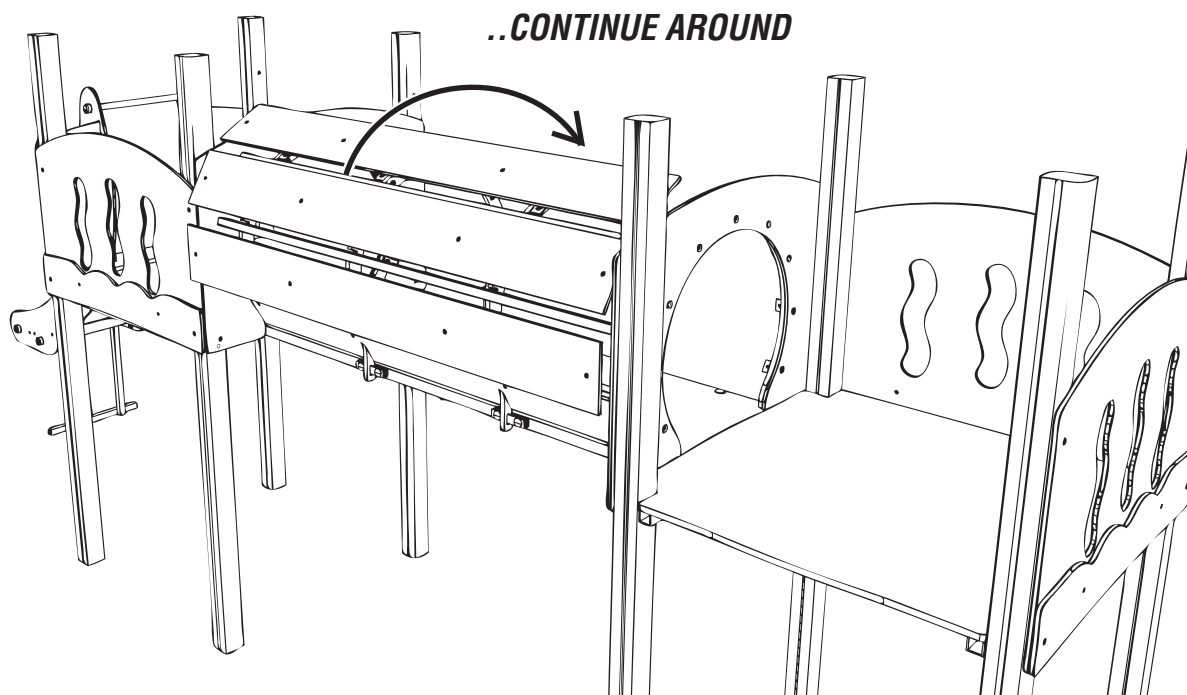


Installation Instructions

12

Attach REST of PLAYTEC SLATS and 30X30 BOX SECTION to RINGS

USING OB/N1 TORKTAINERS

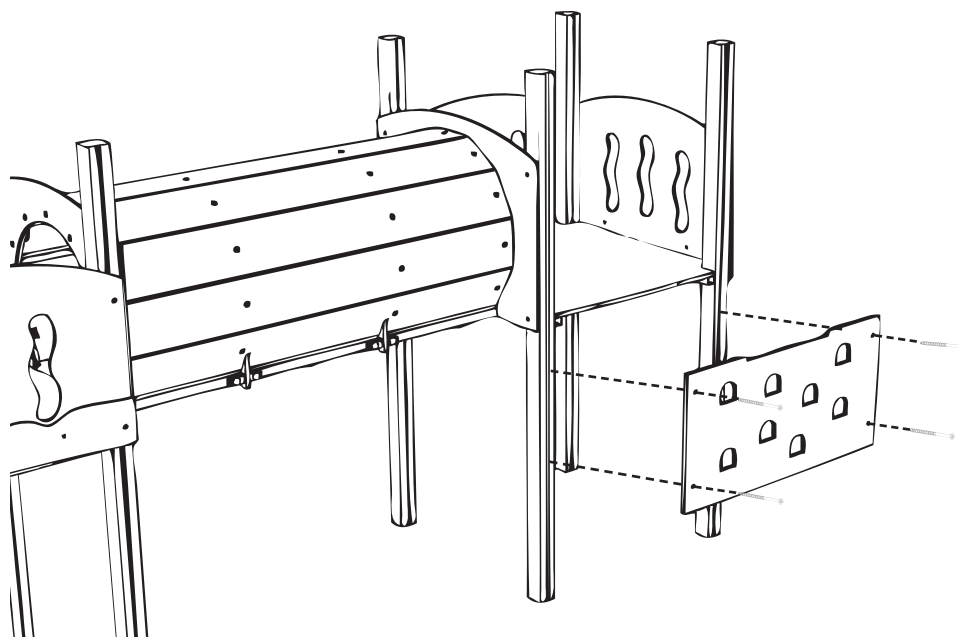


ENSURE: THAT EACH SLAT IS AN ALTERNATIVE COLOUR.
e.g - ONE GREEN, ONE YELLOW, ONE GREEN, ONE YELLOW ETC.

13

Attach CLIMBING WALL

USING FM80 BRASS SCREWS



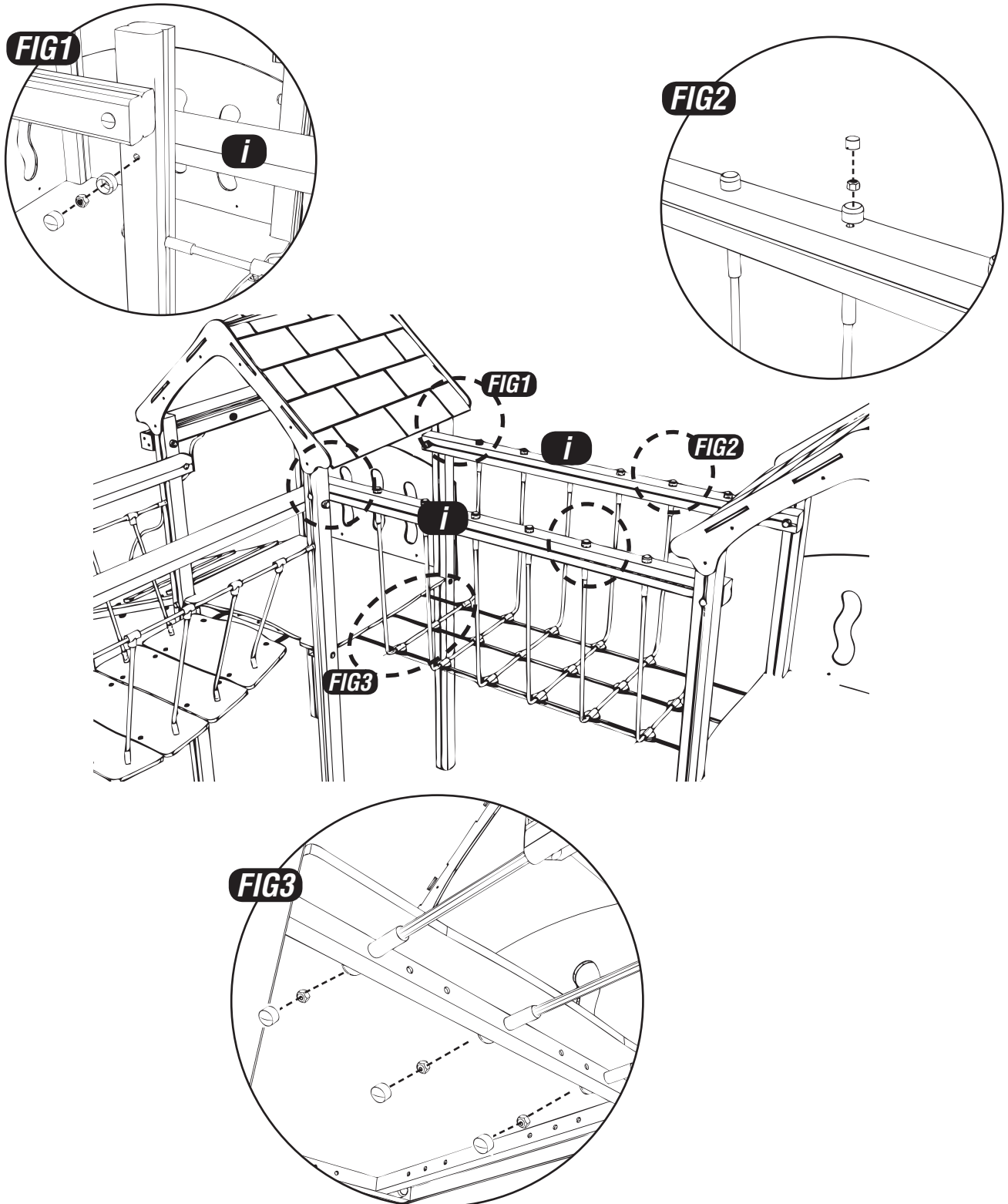
Installation Instructions

14

ATTACH NET TUNNEL and TIMBER L107i (X 2)

Fig1 - ATTACH 2 X L107i TIMBERS USING 4 X M12 X 200 CUP SQUARE BOLTS / 4 X M12 NYLOCS / 4 X COVERED ENDS
Fig2 - ATTACH ROPES USING M12 NYLOCS / COVERED ENDS

Fig3 - ATTACH NET TUNNEL THREAD BAR USING 6 X M12 NYLOCS / 6 X COVERED ENDS



Installation Instructions

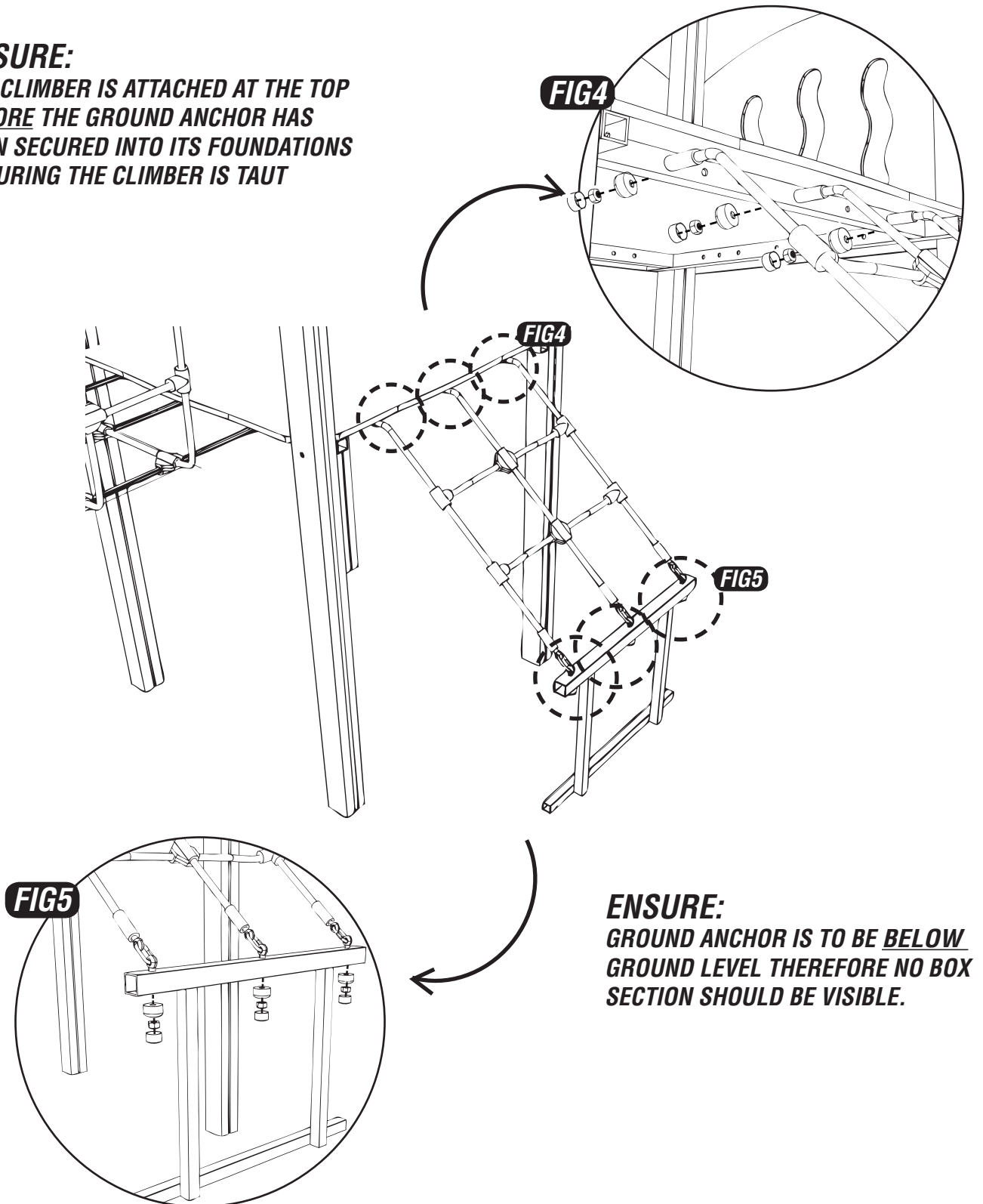
15

ATTACH NET CLIMBER to TOWER and SECURE IN FOUNDATIONS

Fig4 - ATTACH TOP OF NET TO FLOOR USING 3 X M12 NYLOCS / 3 X COVERED ENDS

Fig5 - ATTACH ROPES TO NET CLIMBER GROUND ANCHOR USING 3 X M12 NYLOCS / 3 X COVERED ENDS

ENSURE:
NET CLIMBER IS ATTACHED AT THE TOP
BEFORE THE GROUND ANCHOR HAS
BEEN SECURED INTO ITS FOUNDATIONS
ENSURING THE CLIMBER IS TAUT



ENSURE:
GROUND ANCHOR IS TO BE BELOW
GROUND LEVEL THEREFORE NO BOX
SECTION SHOULD BE VISIBLE.

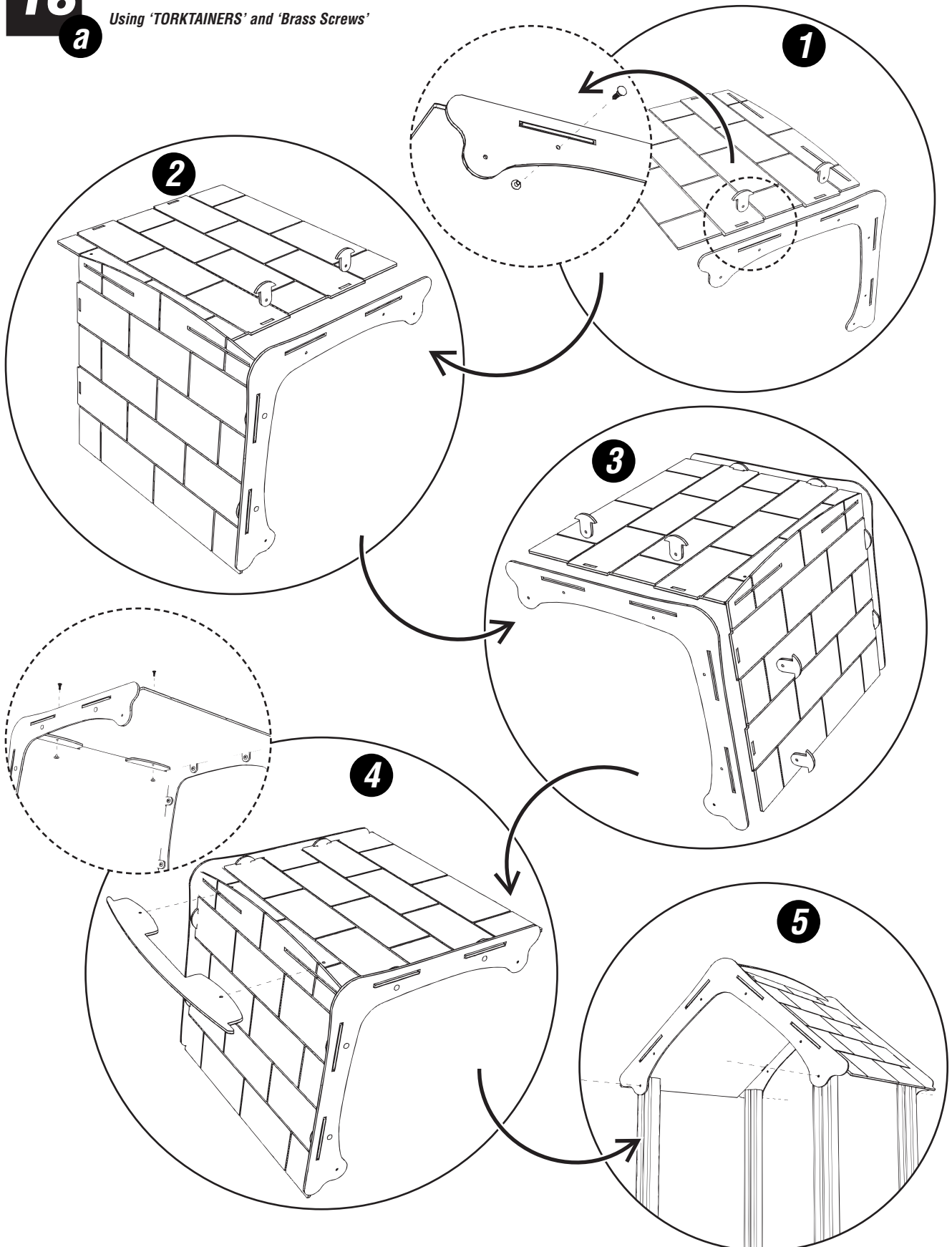
Installation Instructions

16

Attach the roof Parts (NORMAL ROOF)

a

Using 'TORKTAINERS' and 'Brass Screws'



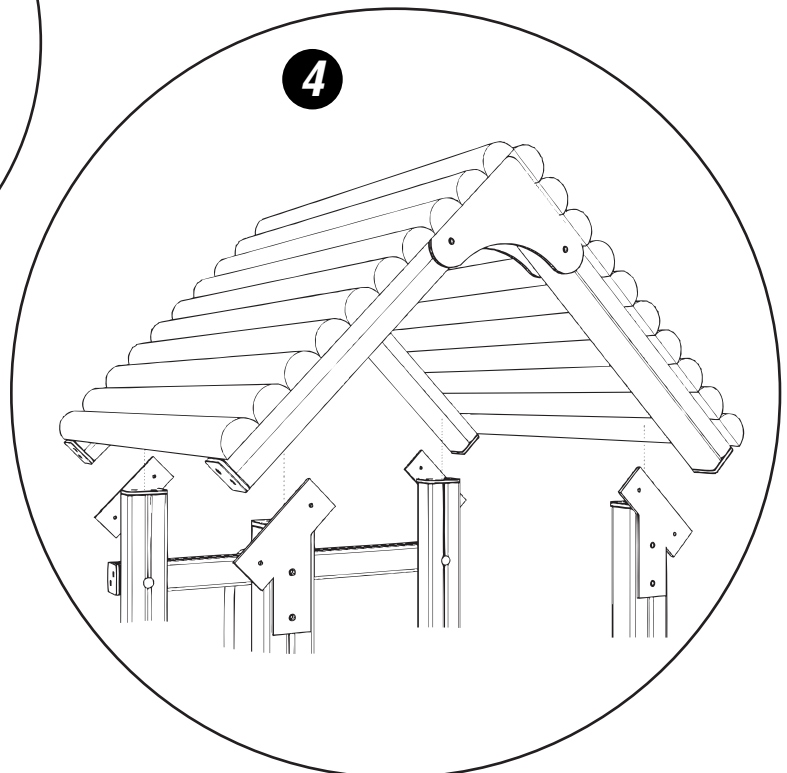
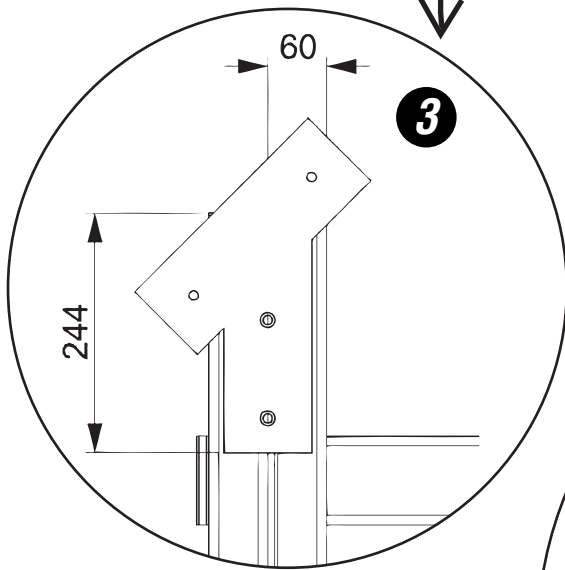
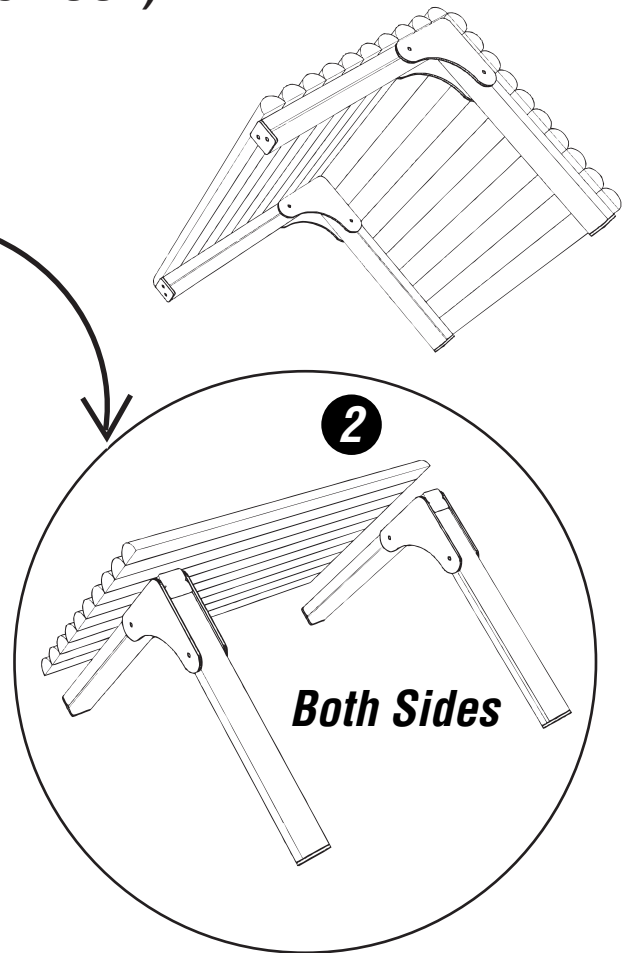
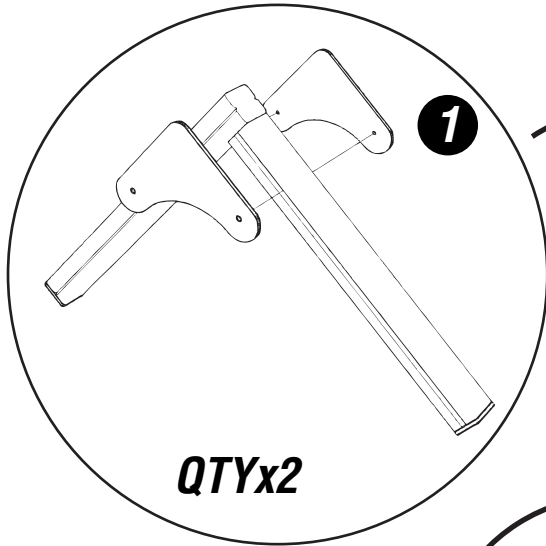
Installation Instructions

16

Attach the roof Parts (RUSTIC ROOF)

b

Using 'Brass Screws'



Additional Dimensions

