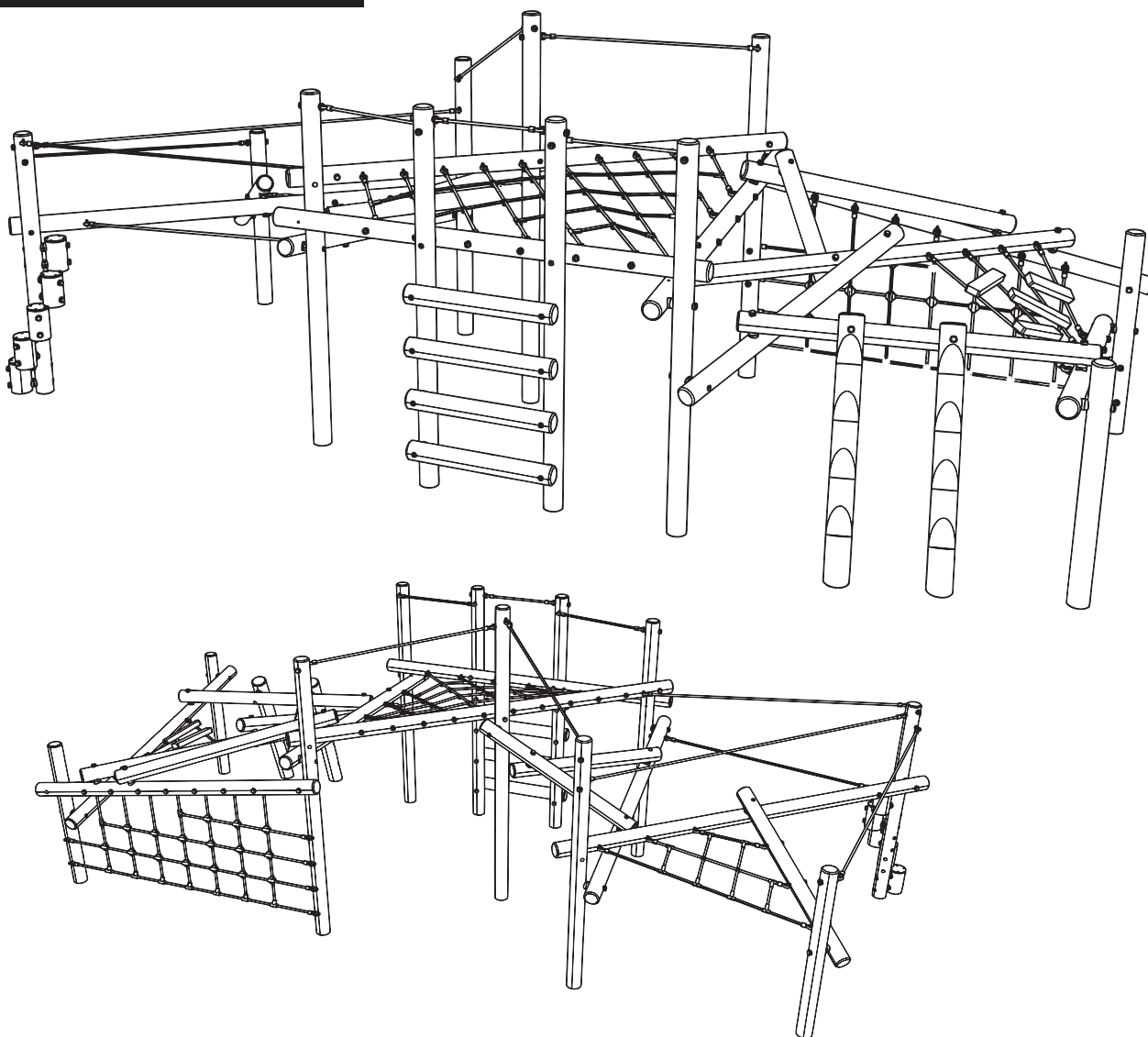


JUNGLE CLIMBER COMBI

Installation Instructions

creative
play

(WITHOUT SLIDE)



CONTENTS

Parts Required	(pg. 2 - 8)
Tools Required	(pg. 9)
Foundation Details	(pg. 10 - 11)
Surfacing Details	(pg. 12)
Step by step Instructions	(pg. 13 - 47)
Additional Drawings	(pg. 48 - 49)
Notes	(pg. 50)

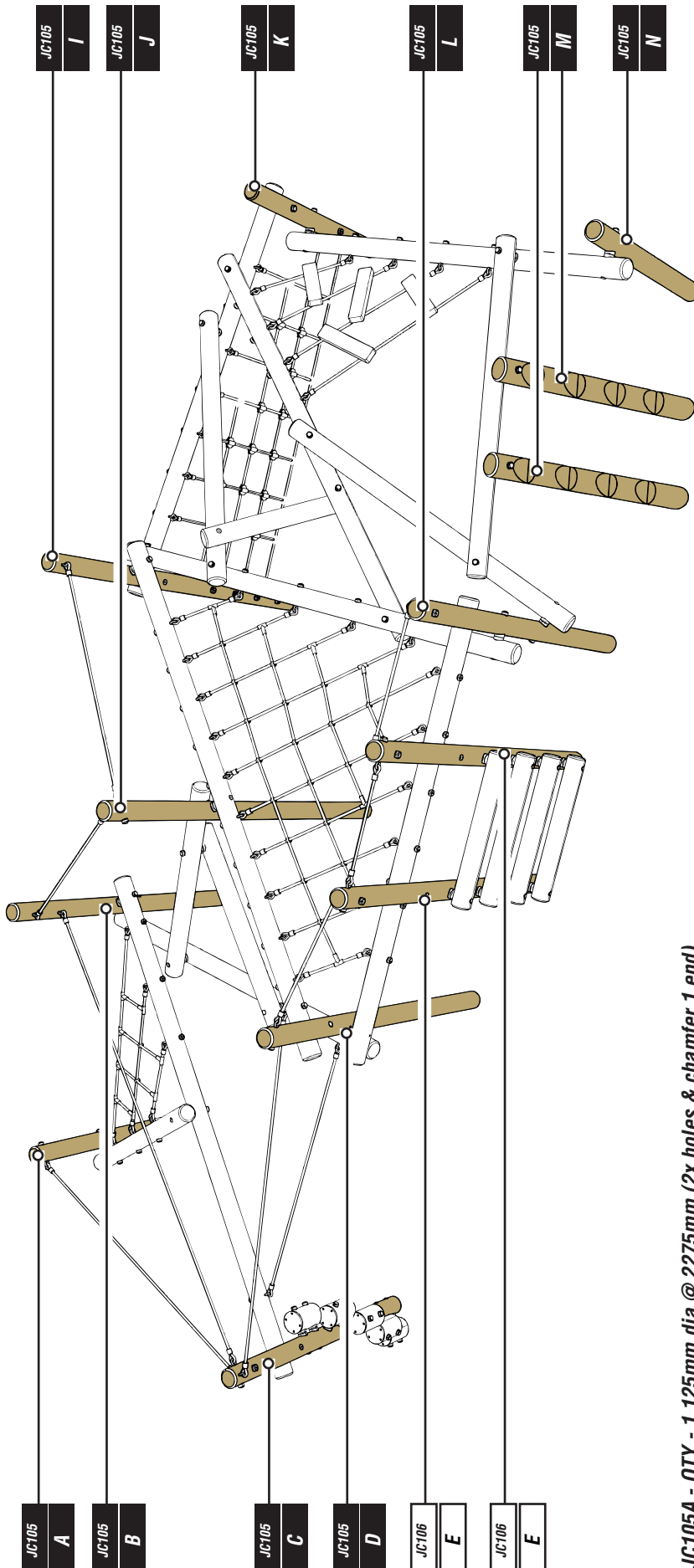
TIMBERS required

Vertical Timbers

ALL POSTS WILL BE LABELLED

NOTES:

The majority of timbers are AS PER PRODUCT JC105 - coding is JC105 (except for JC106E)



- JC105A - QTY - 1 125mm dia @ 2275mm (2x holes & chamfer 1 end)
- JC105B - QTY - 1 125mm dia @ 3040mm (3x holes & chamfer 1 end)
- JC105C - QTY - 1 125mm dia @ 2740mm (10x holes & chamfer 1 end)
- JC105D - QTY - 1 125mm dia @ 3250mm (3x holes & chamfer 1 end)
- JC106E - QTY - 1 125mm dia @ 2225mm (7x holes & chamfer 1 end)
- JC106E - QTY - 1 125mm dia @ 3390mm (7x holes & chamfer 1 end)
- JC105J - QTY - 1 125mm dia @ 3640mm (3x holes & chamfer 1 end)
- JC105K - QTY - 1 125mm dia @ 2225mm (4x holes & chamfer 1 end)
- JC105L - QTY - 1 125mm dia @ 3250mm (2x holes & chamfer 1 end)
- JC105M - QTY - 2 150mm dia @ 2331.5mm (1x hole, cut-outs & chamfer 1 end)
- JC105N - QTY - 1 125mm dia @ 2225mm (1x holes & chamfer 1 end)
- JC106E - QTY - 2 125mm dia @ 3300mm (7x holes & chamfer 1 end)

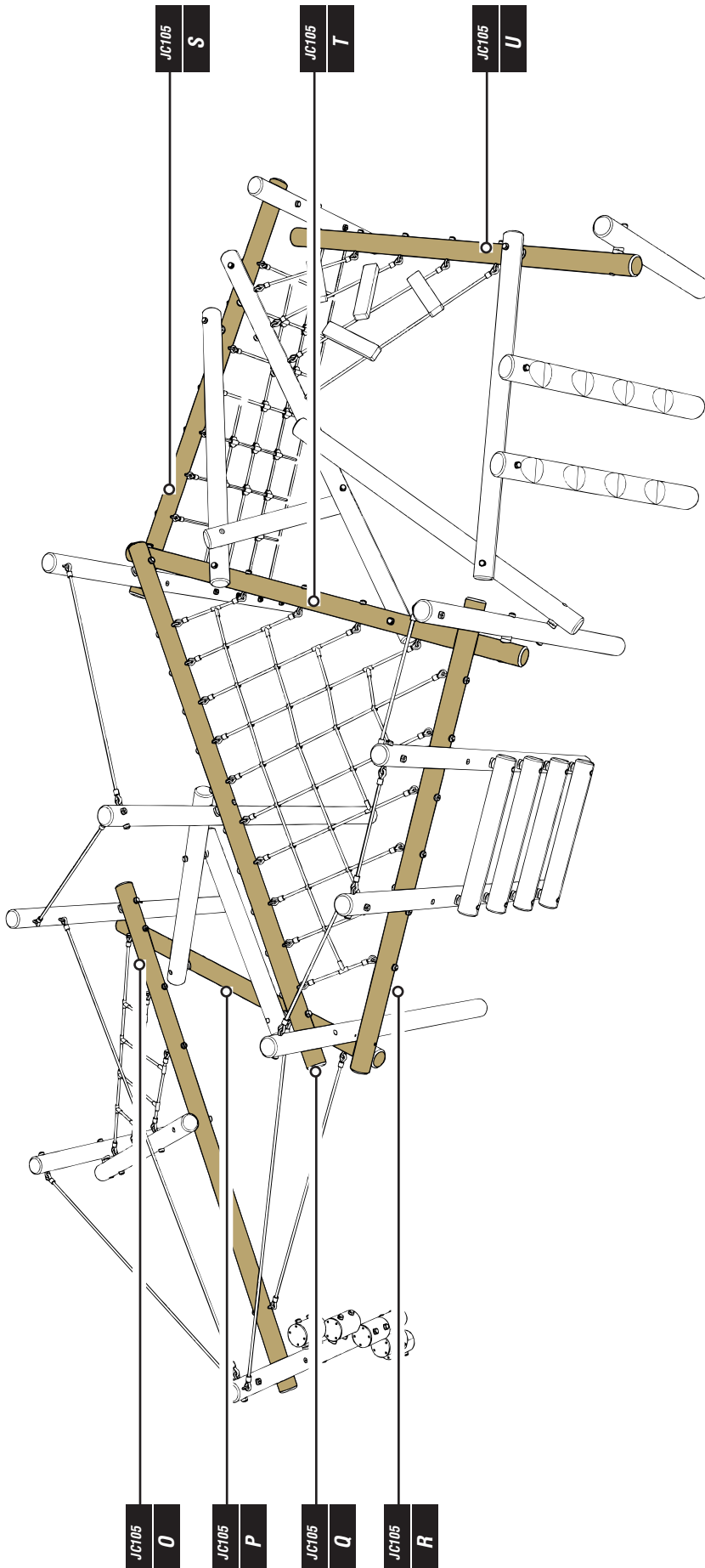
TIMBERS required

Main Timbers

ALL POSTS WILL BE LABELLED

NOTES:

The majority of timbers are AS
PER PRODUCT JC105 - coding is
JC105



- JC1050 - QTY - 1 125mm dia @ 3650mm (6x holes & chamfer both ends)
- JC105P - QTY - 1 125mm dia @ 2711.5mm (3x holes & chamfer both ends)
- JC105Q - QTY - 1 125mm dia @ 3650mm (14x holes & chamfer both ends)
- JC105R - QTY - 1 125mm dia @ 3000mm (9x holes & chamfer both ends)
- JC105S - QTY - 1 125mm dia @ 3000mm (9x holes & chamfer both ends)
- JC105T - QTY - 1 125mm dia @ 3000mm (7x holes & chamfer both ends)
- JC105U - QTY - 1 125mm dia @ 3000mm (7x holes & chamfer both ends)

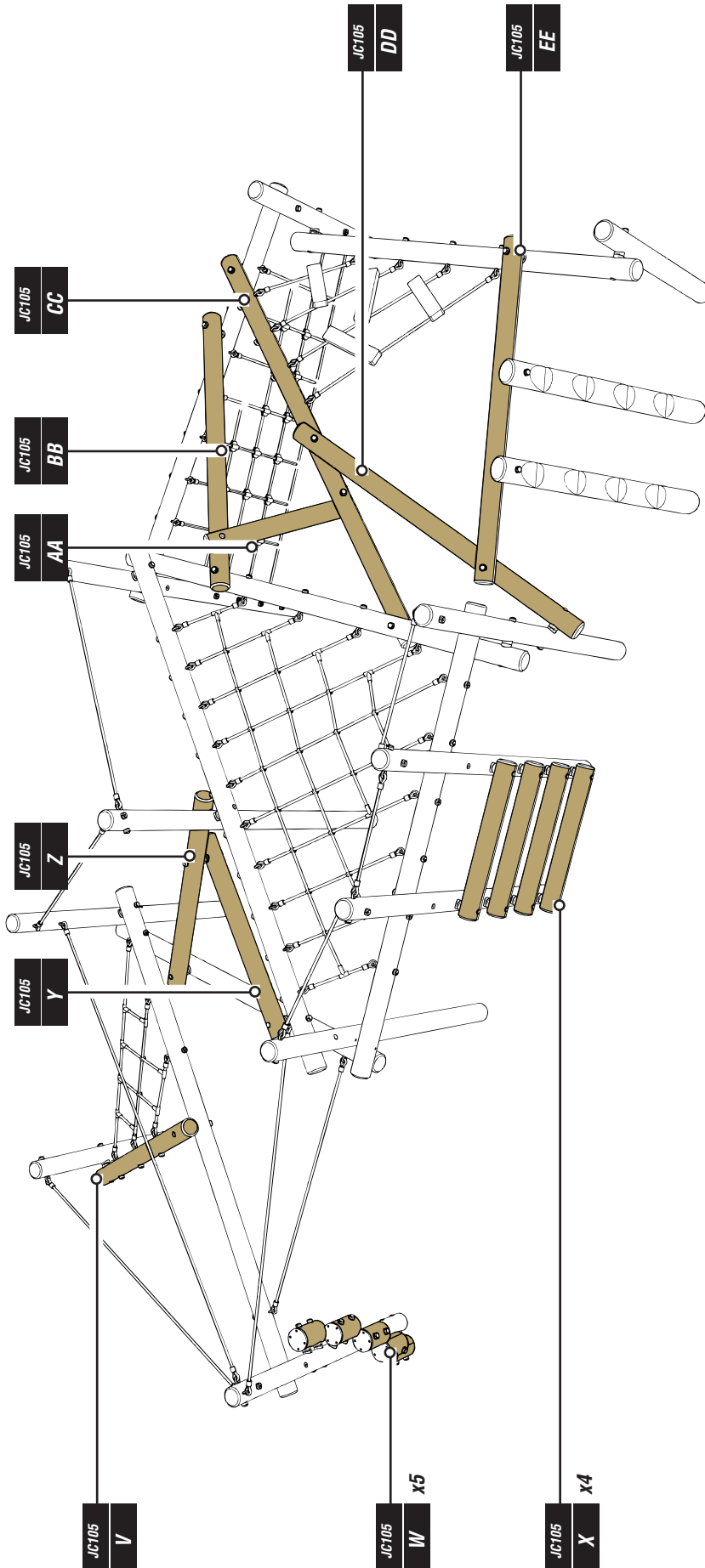
TIMBERS required

Additional Timbers

ALL POSTS WILL BE LABELLED

NOTES:

The majority of timbers are AS
PER PRODUCT JC105 - coding is
JC105

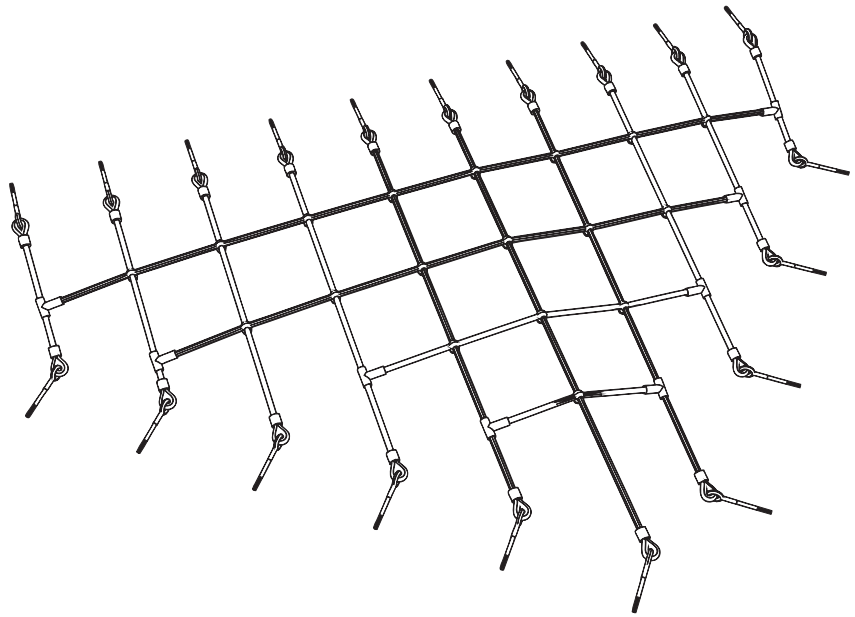


- JC105V - QTY - 1 125mm dia @ 1742mm (5 x holes & chamfer both ends)
- JC105W - QTY - 5 150mm dia @ 230mm (2 x holes & chamfer 1 end)
- JC105X - QTY - 4 125mm dia @ 1005mm (2 x holes & chamfer both ends)
- JC105Y - QTY - 1 125mm dia @ 1450mm (1 x holes & chamfer BOTH ENDS)
- JC105Z - QTY - 1 125mm dia @ 1625mm (1 x holes & chamfer BOTH ENDS)
- JC105AA- QTY - 1 125mm dia @ 1013.5mm (2 x holes & chamfer BOTH ENDS)
- JC105BB - QTY - 1 125mm dia @ 2037mm (1 x holes & chamfer BOTH ENDS)
- JC105CC - QTY - 1 125mm dia @ 3100mm (4 x holes & chamfer BOTH ENDS)
- JC105DD- QTY - 1 125mm dia @ 2271mm (1 x holes & chamfer BOTH ENDS)
- JC105EE- QTY - 1 125mm dia @ 2129mm (1 x holes & chamfer BOTH ENDS)

ROPES + NETS required

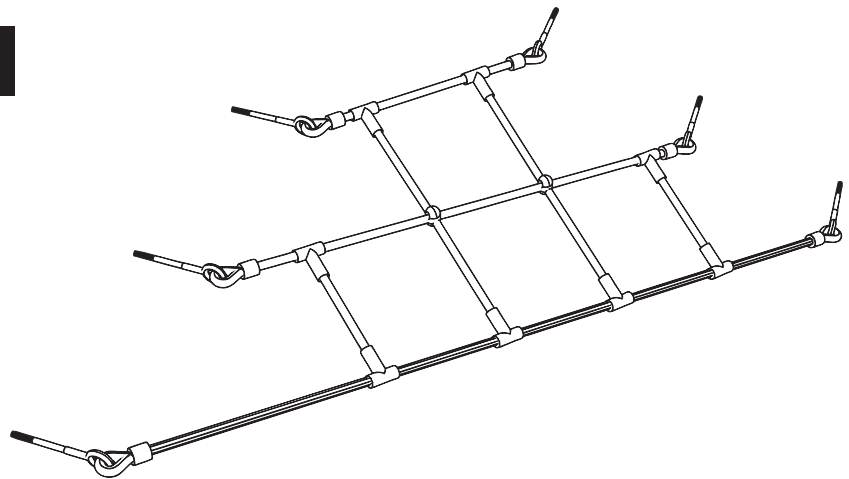
CARGO NET

QTY - 1 ASSEMBLY



NET CLIMBER

QTY - 1 ASSEMBLY

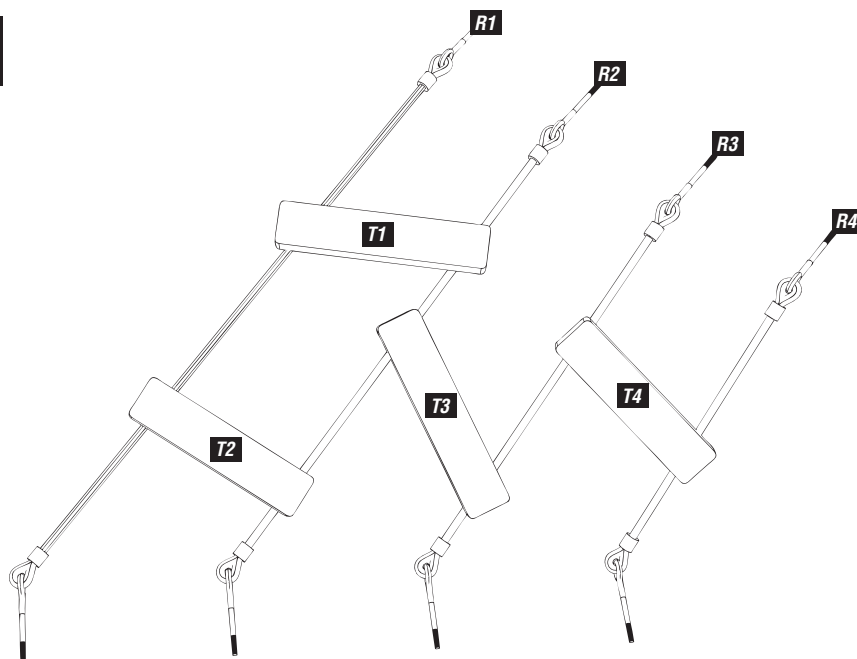
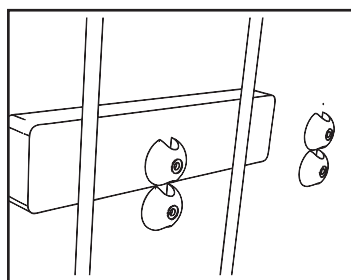


ROPES + NETS required

NET + BLOCKS

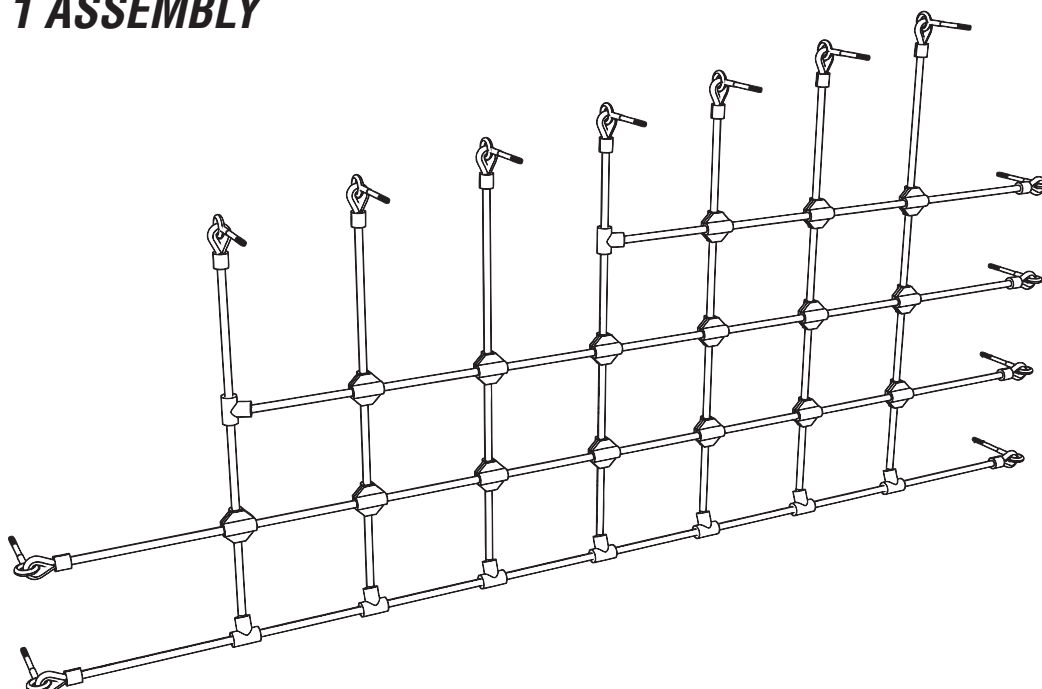
SUPPLIED LOOSE
Consists of...

T1 / T2 / T3 / T4 timbers
R1 / R2 / R3 / R4 Ropes

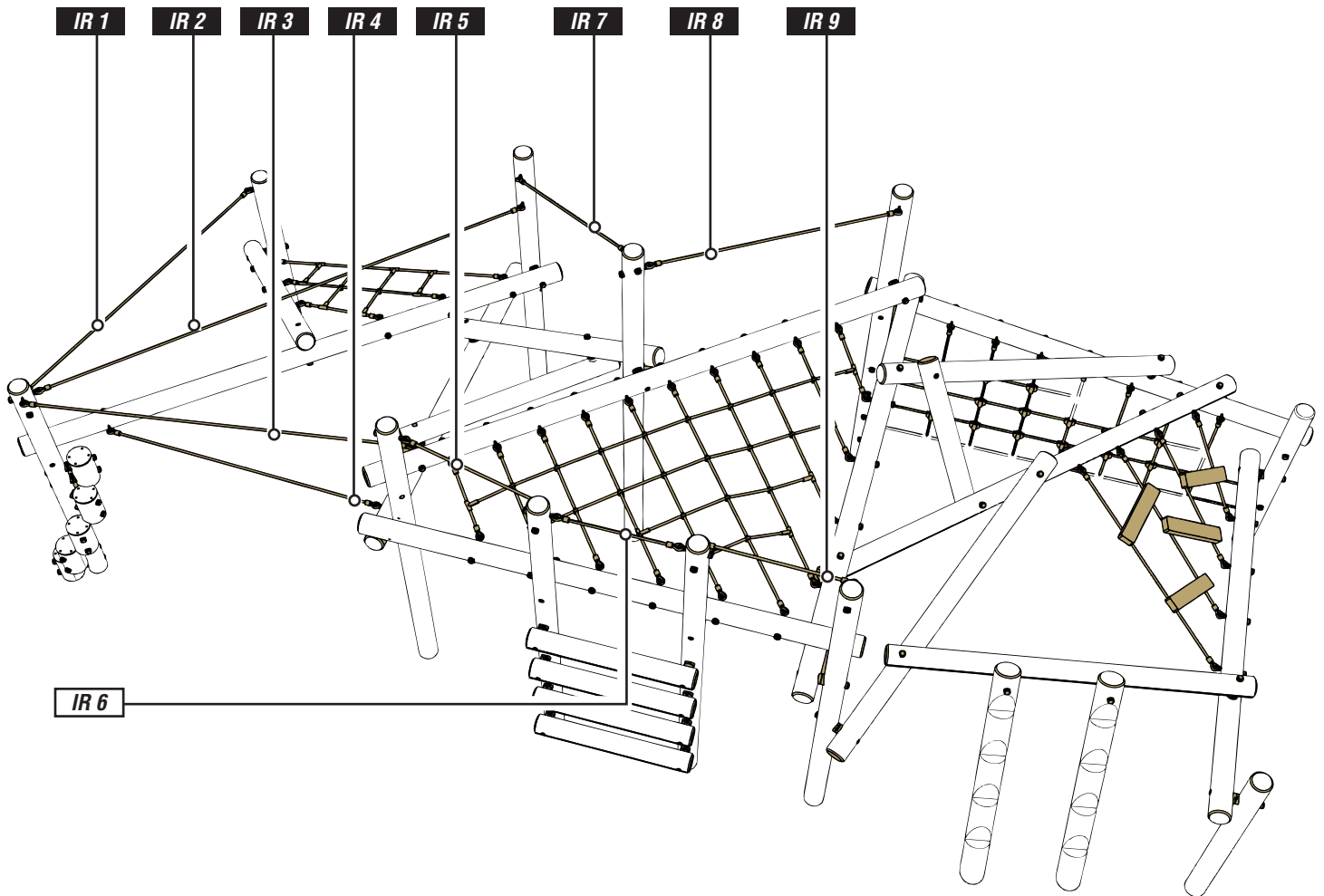


NET WALL

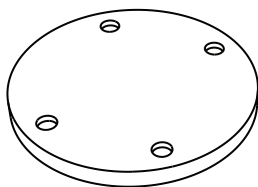
QTY - 1 ASSEMBLY



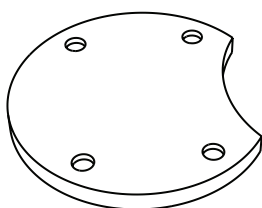
ROPES + NETS required



HEXA GRIP required



x1 (HEX BOARD 'STEP')



x4 (HEX BOARD 'STEP' with cut out)

FIXINGS required



x16 (Polyfix halves inc screws)
To be used for NET+BLOCKS



x100 (120 Distance piece)
120 label is shown on the inside
(94 required)



x15 (140 Distance piece)
140 label is shown on the inside
(12 required)



x125 (Covered end cap R60)
NOT STANDARD END CAP - has a radius
cut into it
(118 required)



x30 (FM80 'Brass screws')
To be used for HEX BOARD steps
(20 required)



x45 (M12 x 290* CUP SQUARE BOLTS)
*or closest size available NOT SMALLER
(41 required)

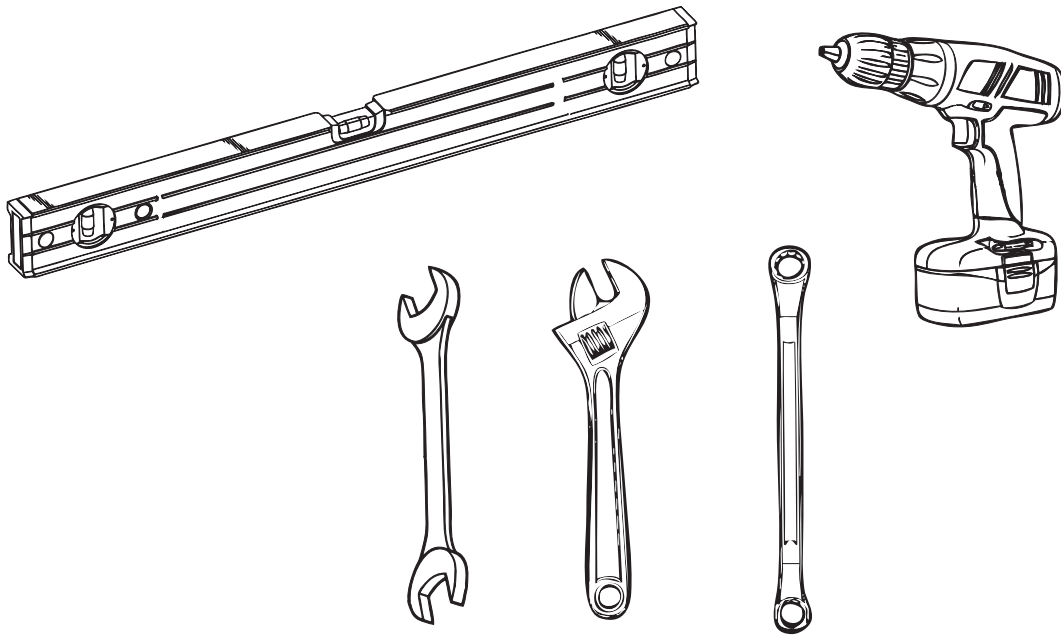


x60 ('NYLOCS' M12 - Nylon locking nuts)
(53 required)



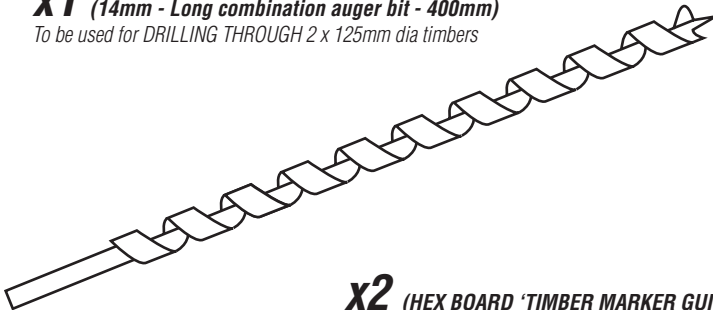
x70 ('NYLOCS' M10 - Nylon locking nuts)
To be used for M10 EYEBOLTS on net assemblies
(65 required)

TOOLS required

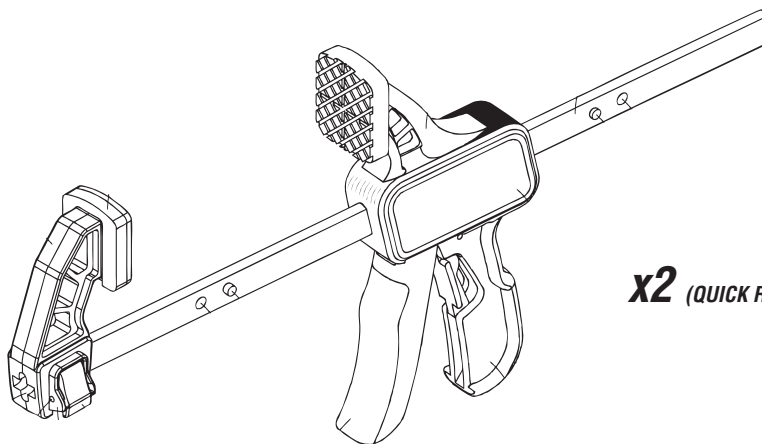
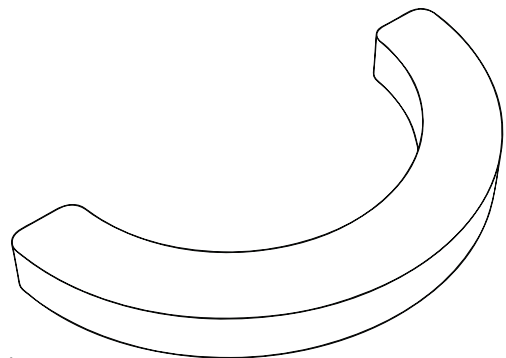


SPECIFIC JUNGLE CLIMBER TOOLS

x1 (14mm - Long combination auger bit - 400mm)
To be used for DRILLING THROUGH 2 x 125mm dia timbers



x2 (HEX BOARD 'TIMBER MARKER GUIDE')
To be used for MARKING the 125mm dia timbers



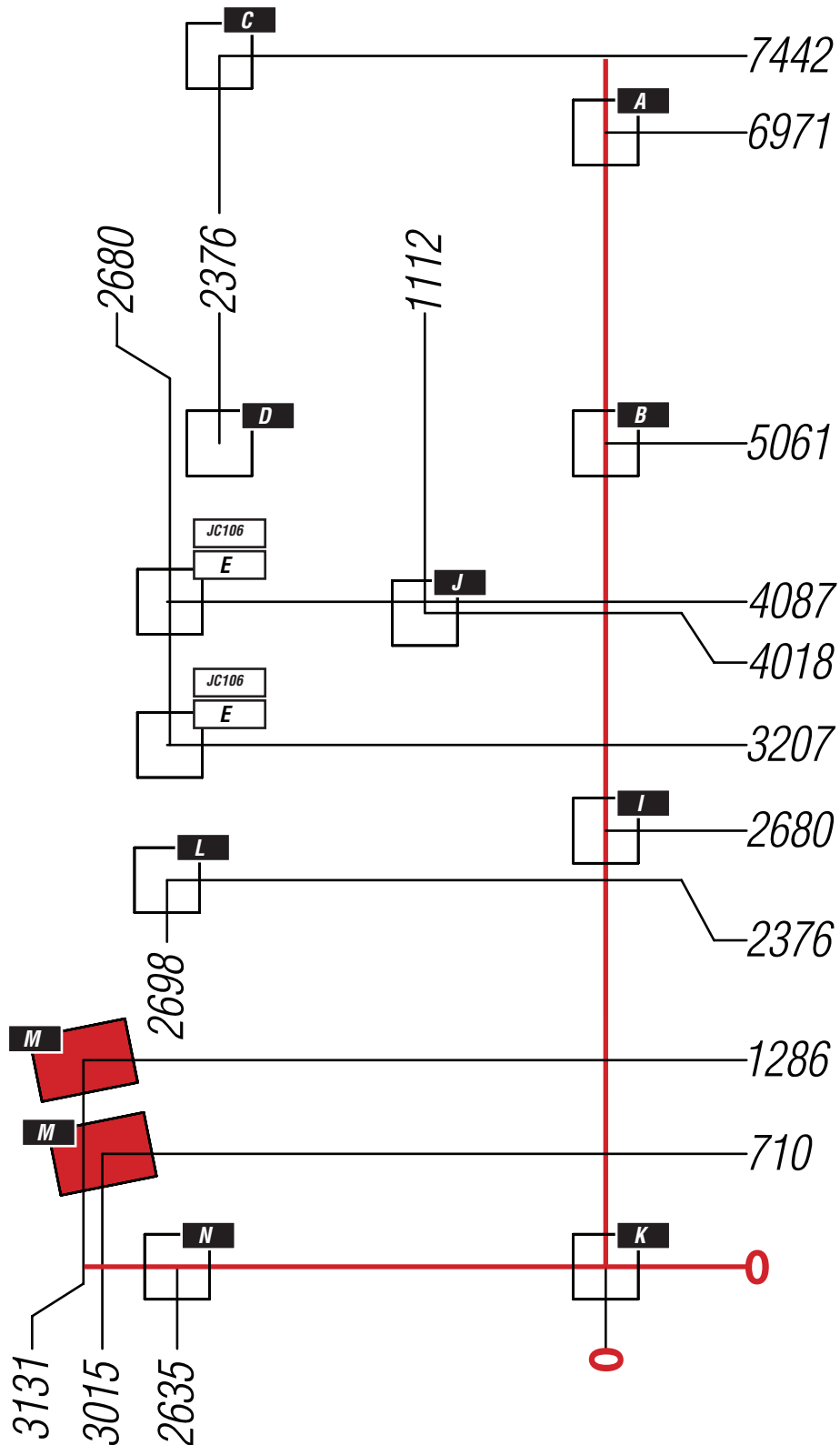
x2 (QUICK RELEASE CLAMPS)

Foundation Details

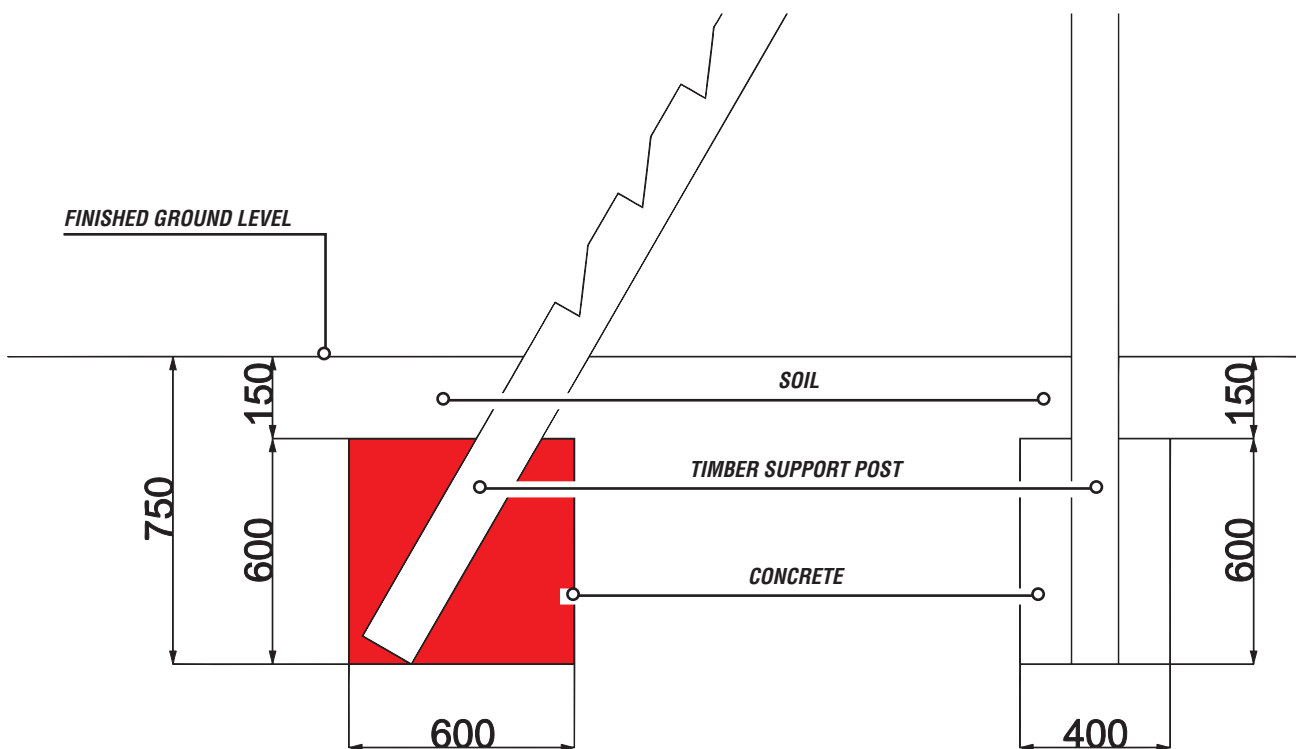
FOUNDATIONS 400mm x 400mm x 750

RED FOUNDATIONS 400mm x 600mm x 750

**REMEMBER - 750mm below FINISHED GROUND LEVEL - if WETPOUR / MULCH / PLAYSAFE is to be laid amend as required*



Foundation Details



JC105

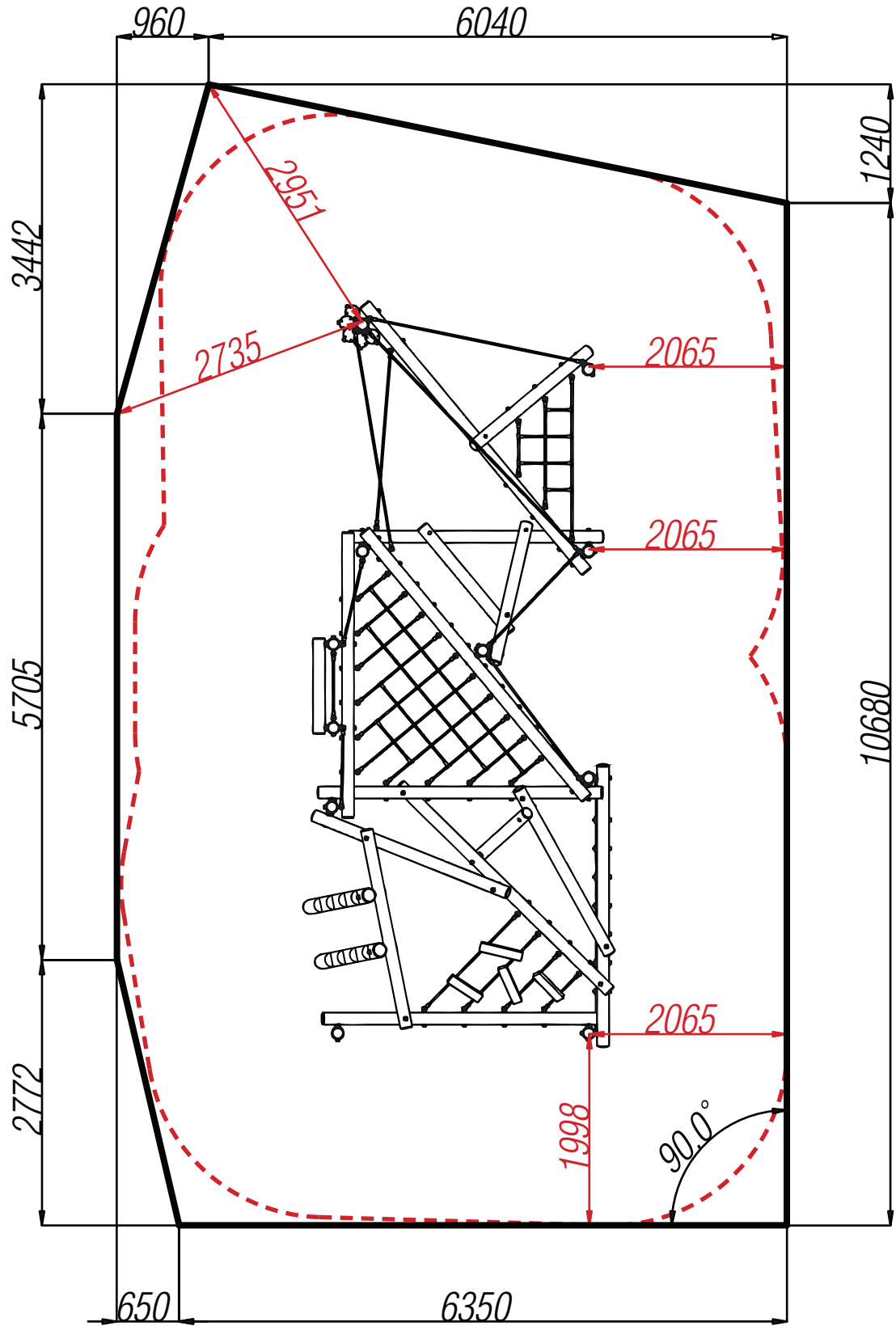
M

ARE SET AT A 45 degree ANGLE - the 'edge' of the 600mm measurement is where the post meets the ground level
ALL OTHER VERTICAL TIMBERS ARE POSITIONED UPRIGHT

Surfacing Details

- - - - - = MINIMUM SPACE
 ————— = SURFACE AREA

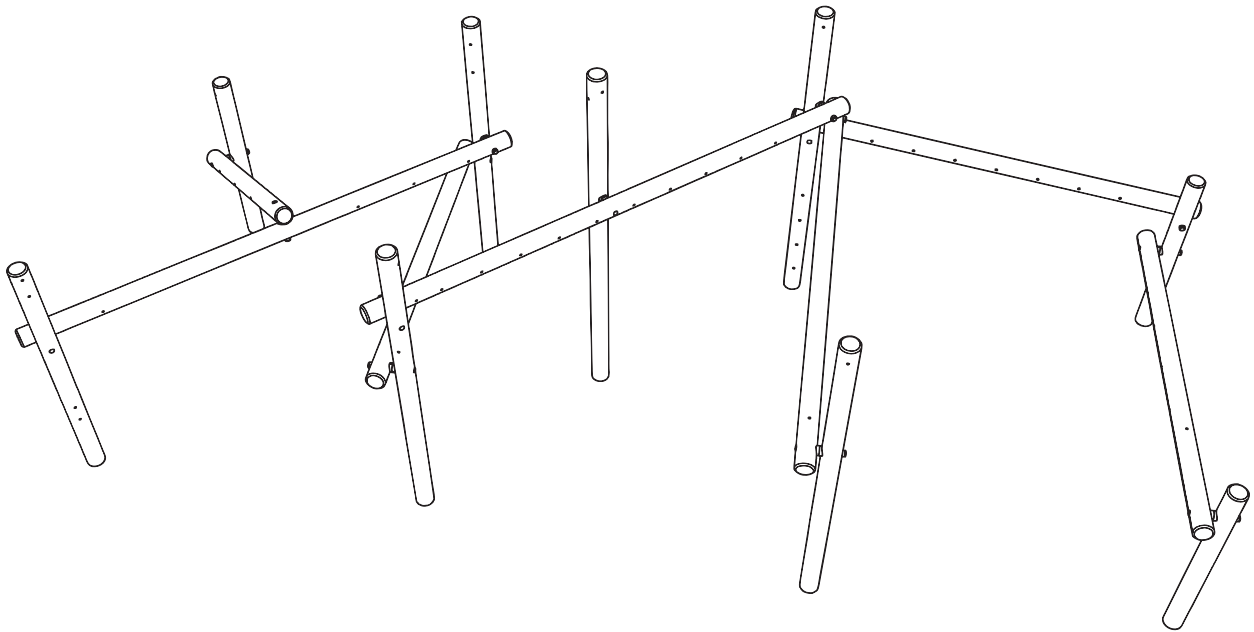
RED DIMENSIONS CENTRE OF VERTICAL TIMBERS



Installation Instructions

1

Construct the main assembly BEFORE laying concrete foundations STEPS 1 to 19



NOTES:

- All timbers bolted together *MUST* include 2 x DISTANCE PIECES

TIMBERS DO NOT BOLT DIRECTLY TO EACH OTHER



- Install *STEP* by *STEP*

TO ENSURE THE CORRECT HOLES ARE USED AT EACH STAGE

- TAKE EXTRA CARE WHEN DRILLING

TAKE EXTRA PRECATION WHEN DRILLING THE TIMBERS - ONCE POSITIONED REMEMBER TO ALLOW FOR THE DISTANCE PIECES AND MARK ACCORDINGLY (distance between timbers 27mm)

- DRILLING THROUGH THE CENTRE

ALTHOUGH SOME HOLES ARE DRILLED AT AN ANGLE - THE HOLE IS DRILLED THROUGH THE CENTRE OF THE TIMBER (LEAVING 62.5mm either side)

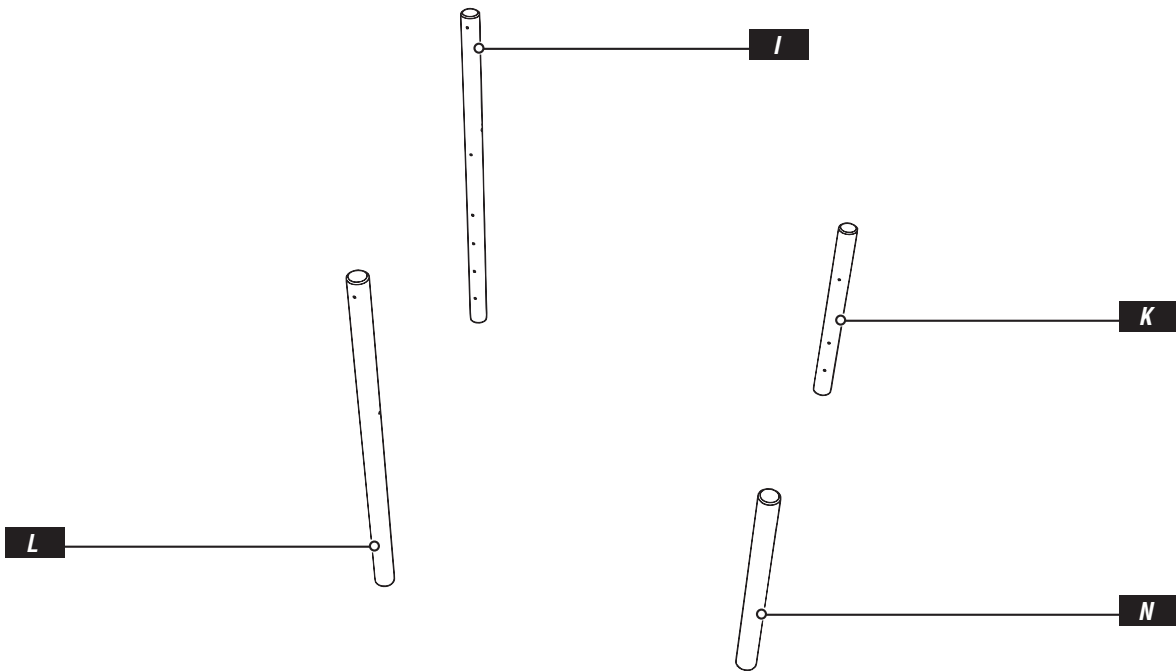


Installation Instructions

2

Position the N / L / K / I - timbers

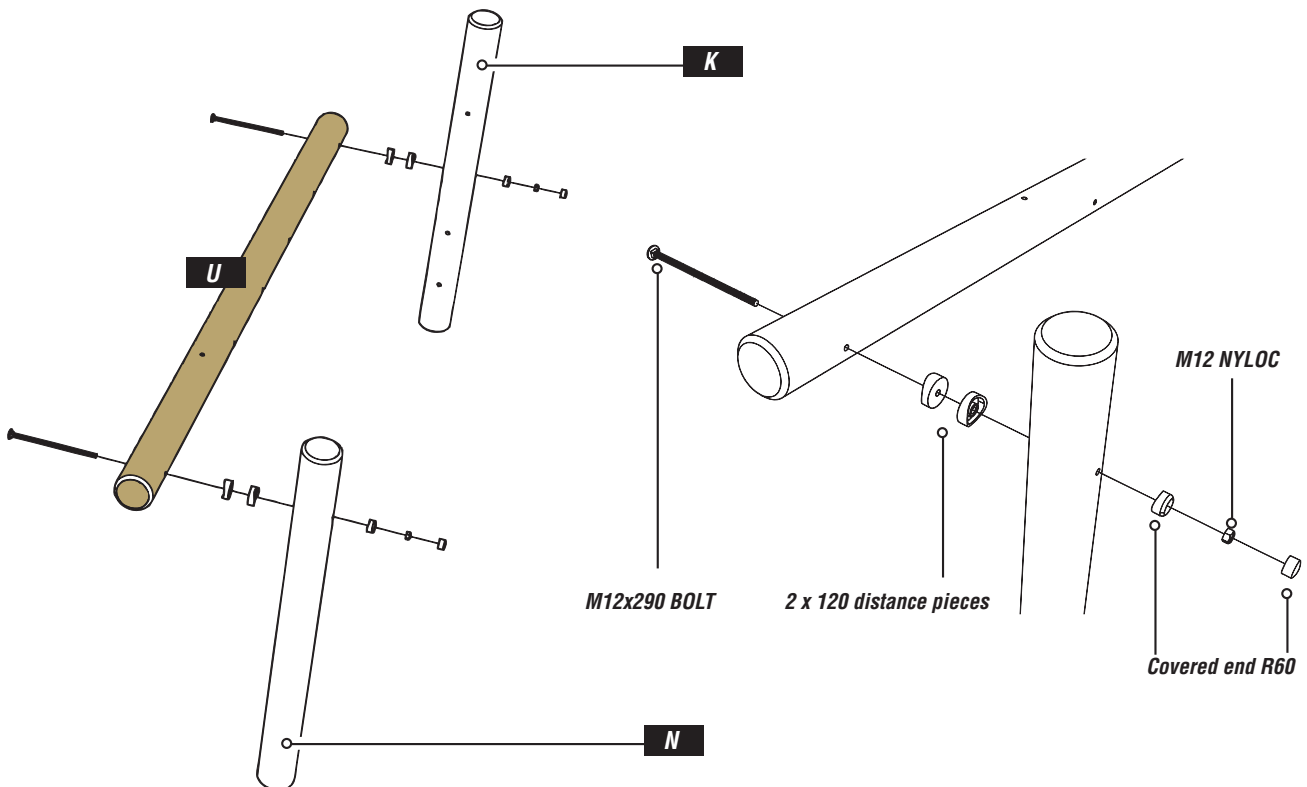
VERTICAL TIMBERS (VT) are CHAMFERED at one end only - ENSURE THIS END IS NOT IN THE GROUND



3

Attach U to N / K - timbers

Using 2 x M12 x 290* CUP SQUARE BOLTS / 2 x 'NYLOCS' M12 / 2 x Covered end cap R60 / 4 x 120 Distance pieces

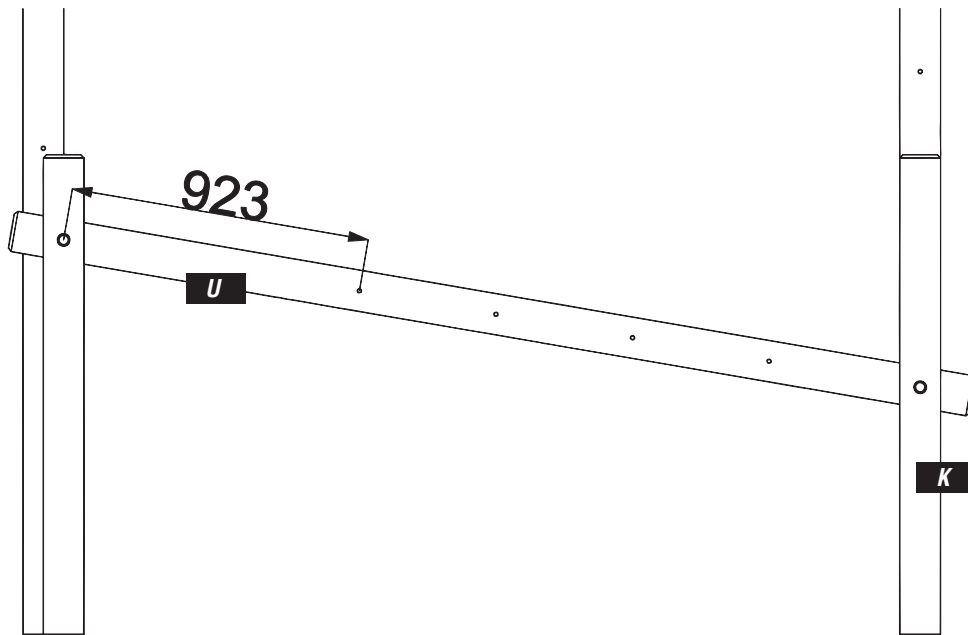


Installation Instructions

4

ENSURE the positioning of U is correct

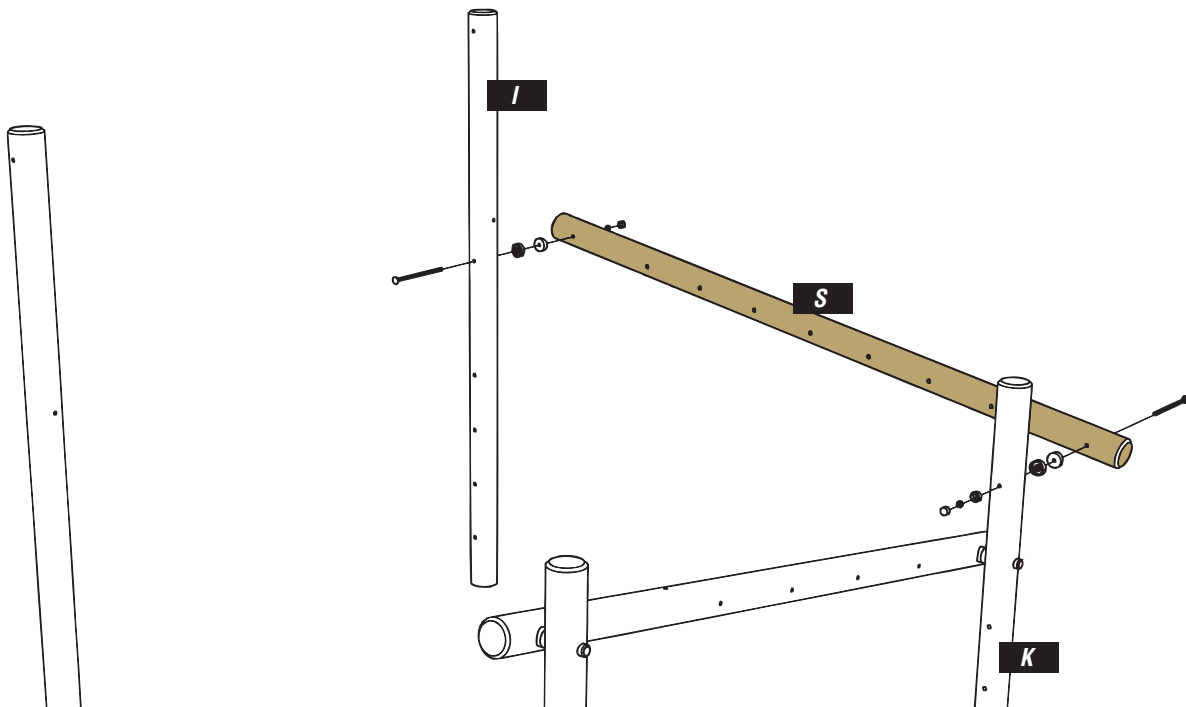
The 4 remaining holes in U are positioned closer to the K - timber



5

Attach S to K / I - timbers

Using 2 x M12 x 290* CUP SQUARE BOLTS / 2 x 'NYLOCS' M12 / 2 x Covered end cap R60 / 4 x 120 Distance pieces

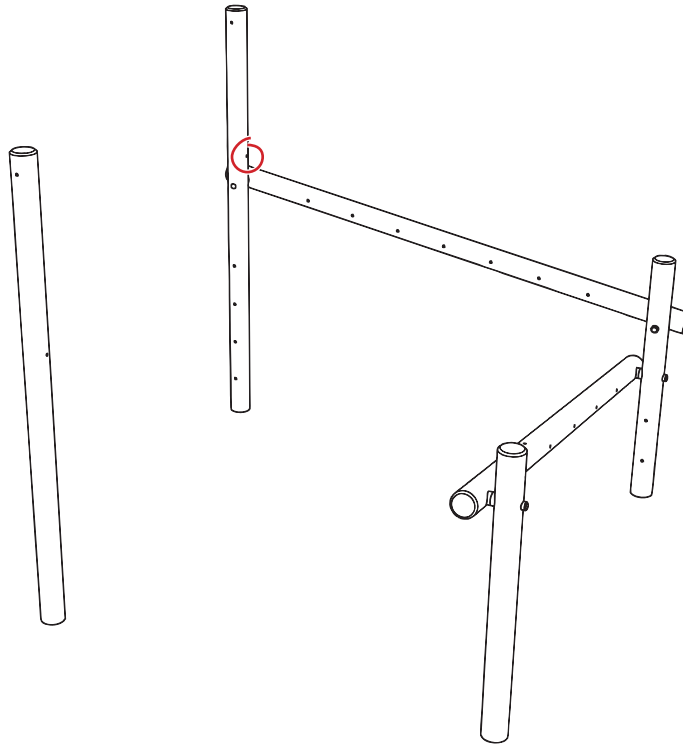


Installation Instructions

6

ENSURE the positioning of *S* is correct

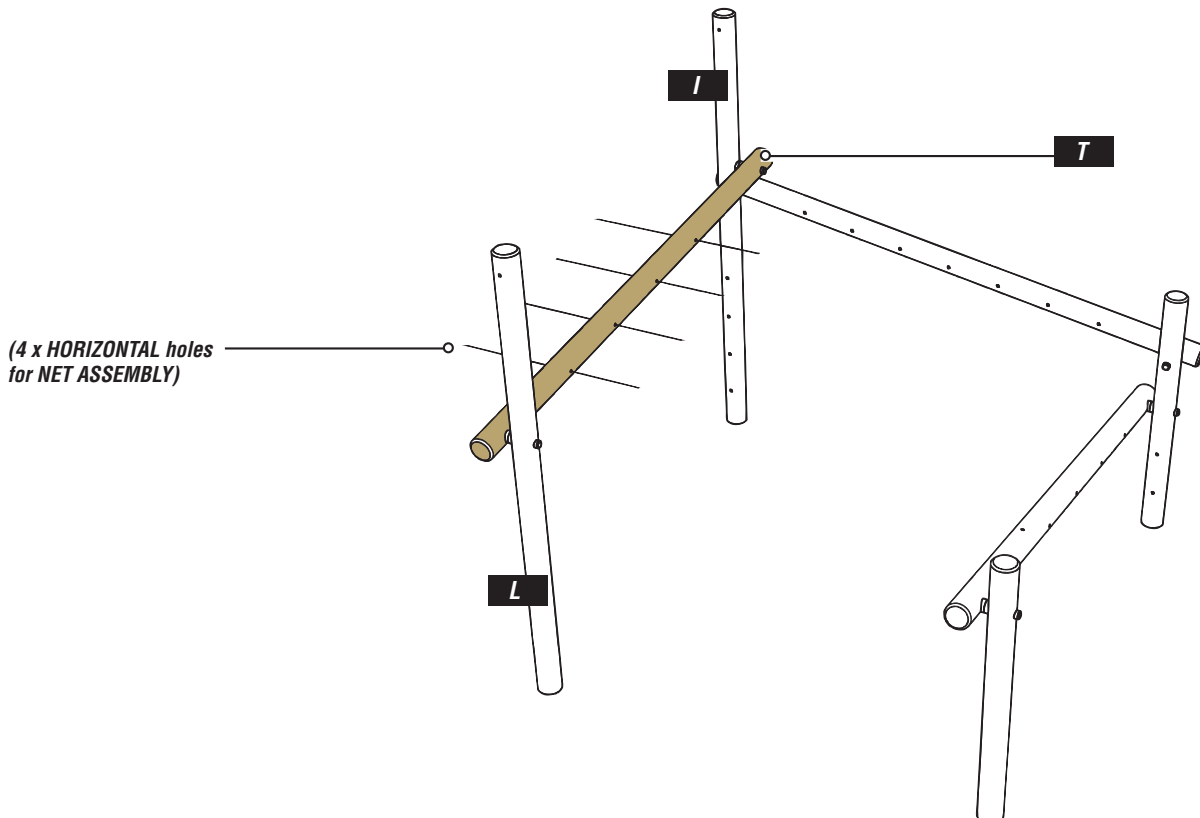
There is a remaining HIGHER hole in *I* - timber (in the opposite direction) - CIRCLED RED BELOW



7

Attach *T* to *I* / *L* - timbers

Using 2 x M12 x 290* CUP SQUARE BOLTS / 2 x 'NYLOCS' M12 / 2 x Covered end cap R60 / 4 x 120 Distance pieces

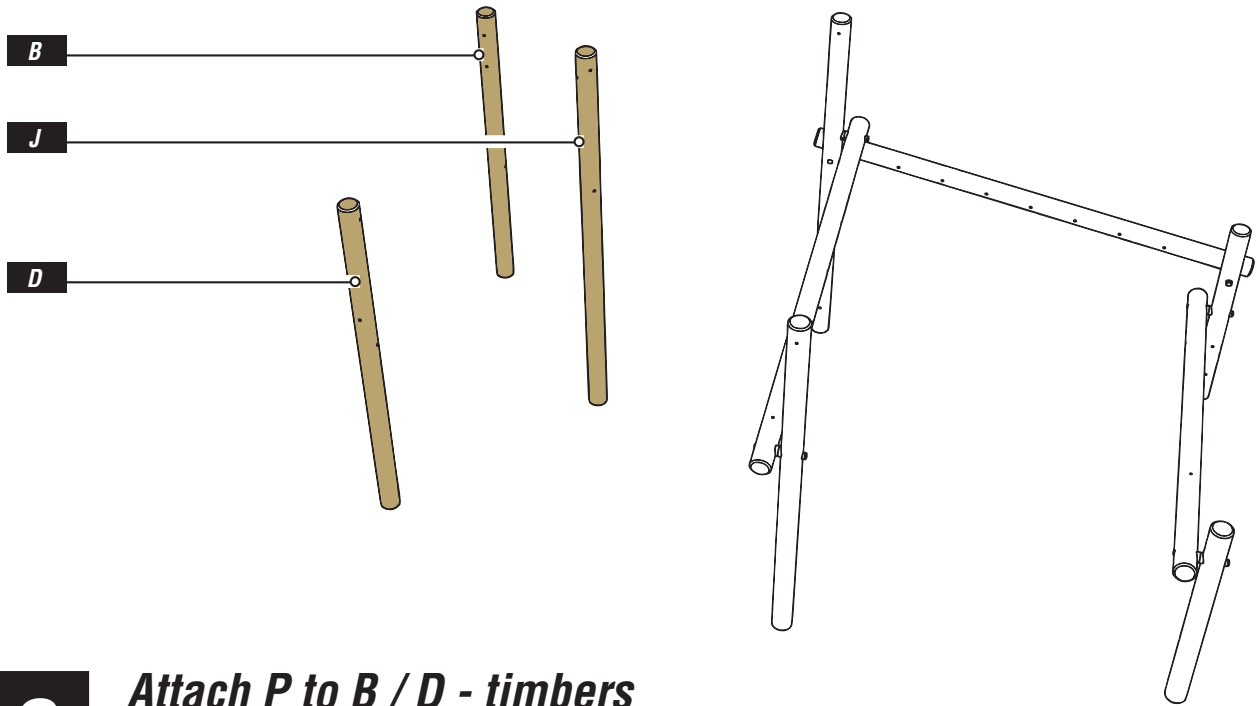


Installation Instructions

8

Position the B / J / D - timbers

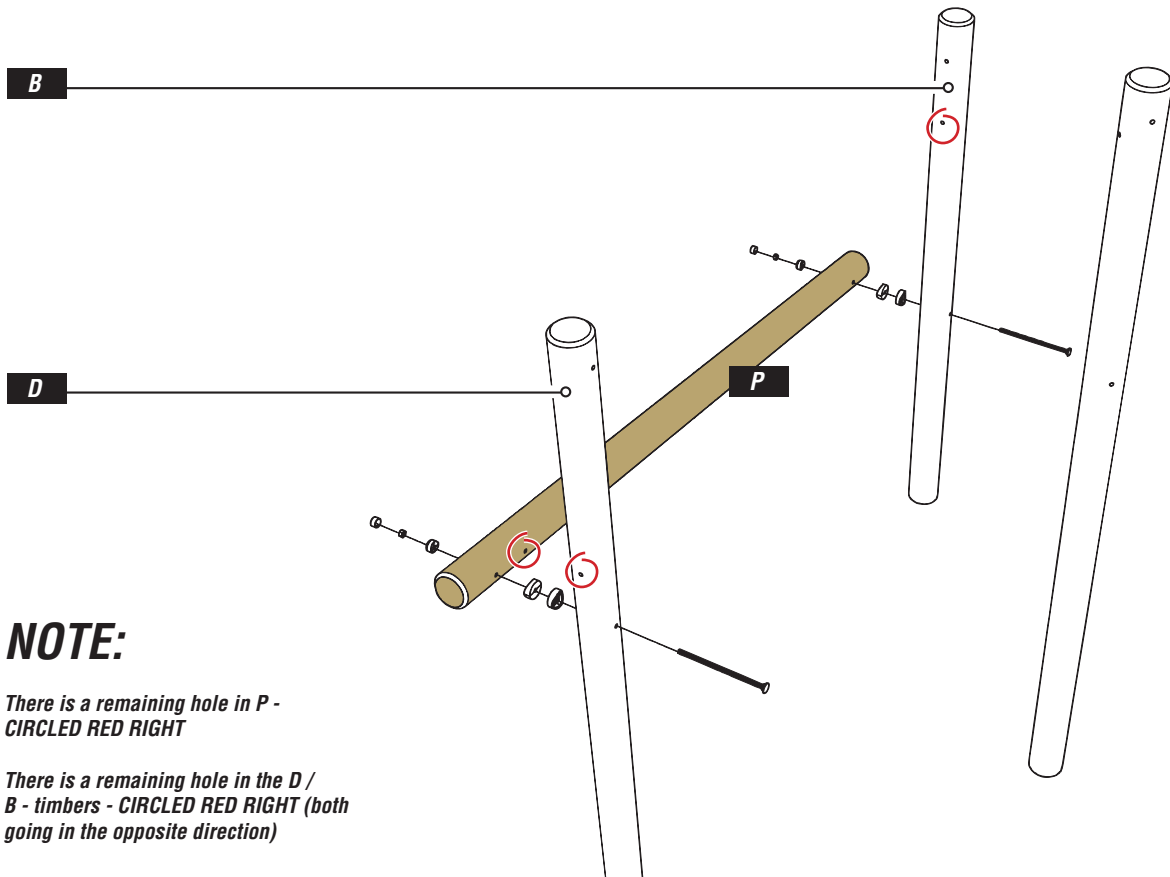
VERTICAL TIMBERS (VT) are CHAMFERED at one end only - ENSURE THIS END IS NOT IN THE GROUND



9

Attach P to B / D - timbers

Using 2 x M12 x 290* CUP SQUARE BOLTS / 2 x 'NYLOCS' M12 / 2 x Covered end cap R60 / 4 x 120 Distance pieces



NOTE:

There is a remaining hole in P -
CIRCLED RED RIGHT

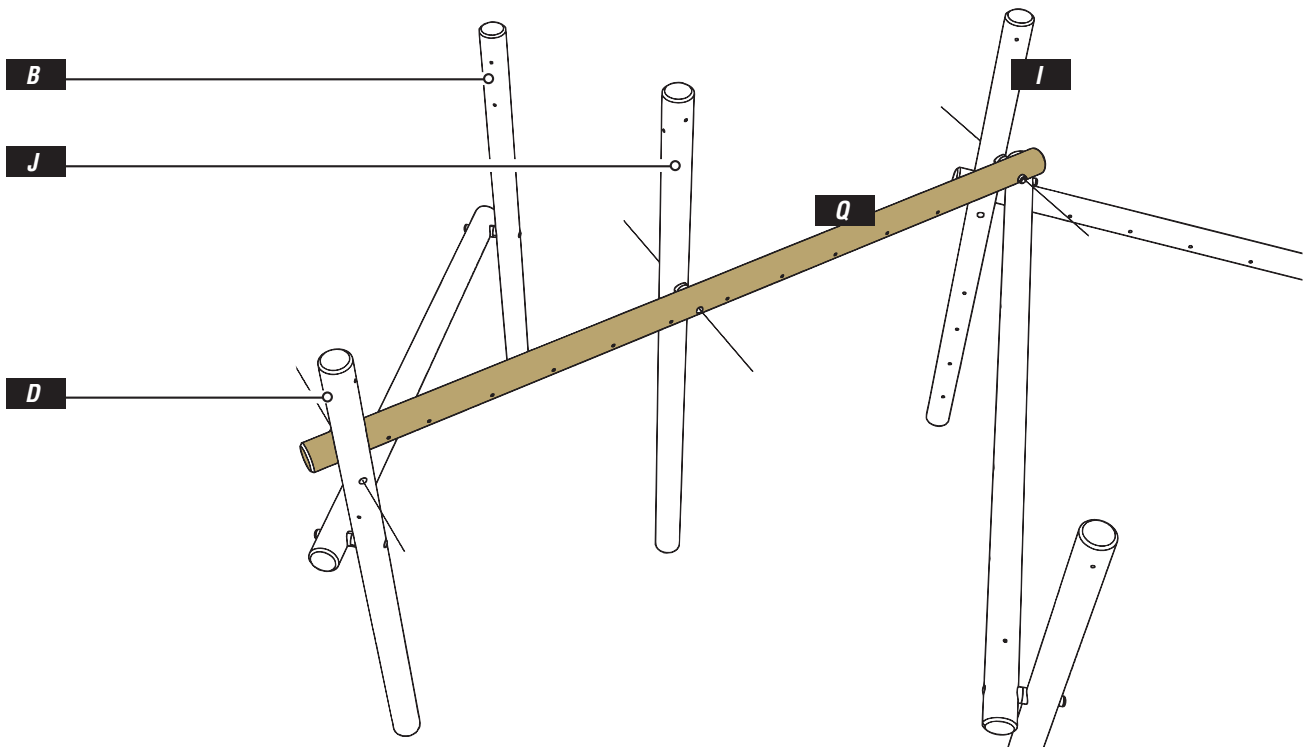
There is a remaining hole in the D /
B - timbers - CIRCLED RED RIGHT (both
going in the opposite direction)

Installation Instructions

10

Attach Q to D / J / I - timbers

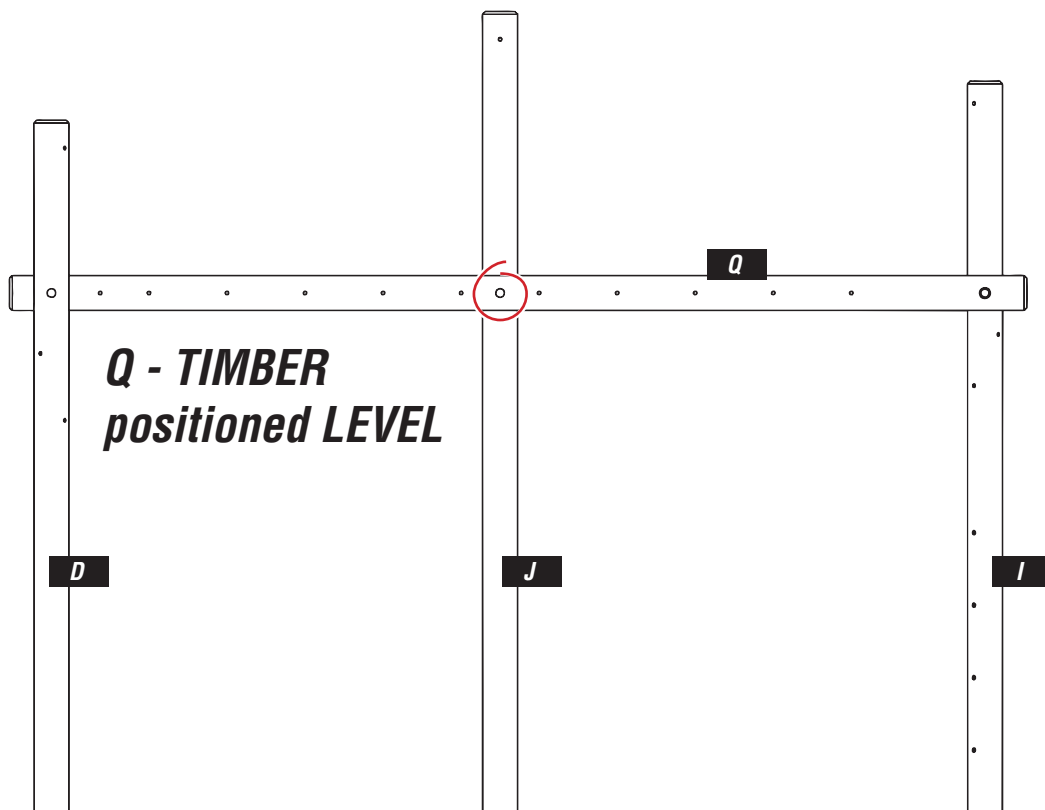
Using 3x M12 x 290* CUP SQUARE BOLTS / 3 x 'NYLOCS' M12 / 3 x Covered end cap R60 / 6 x 120 Distance pieces



11

ENSURE the positioning of the Q is correct

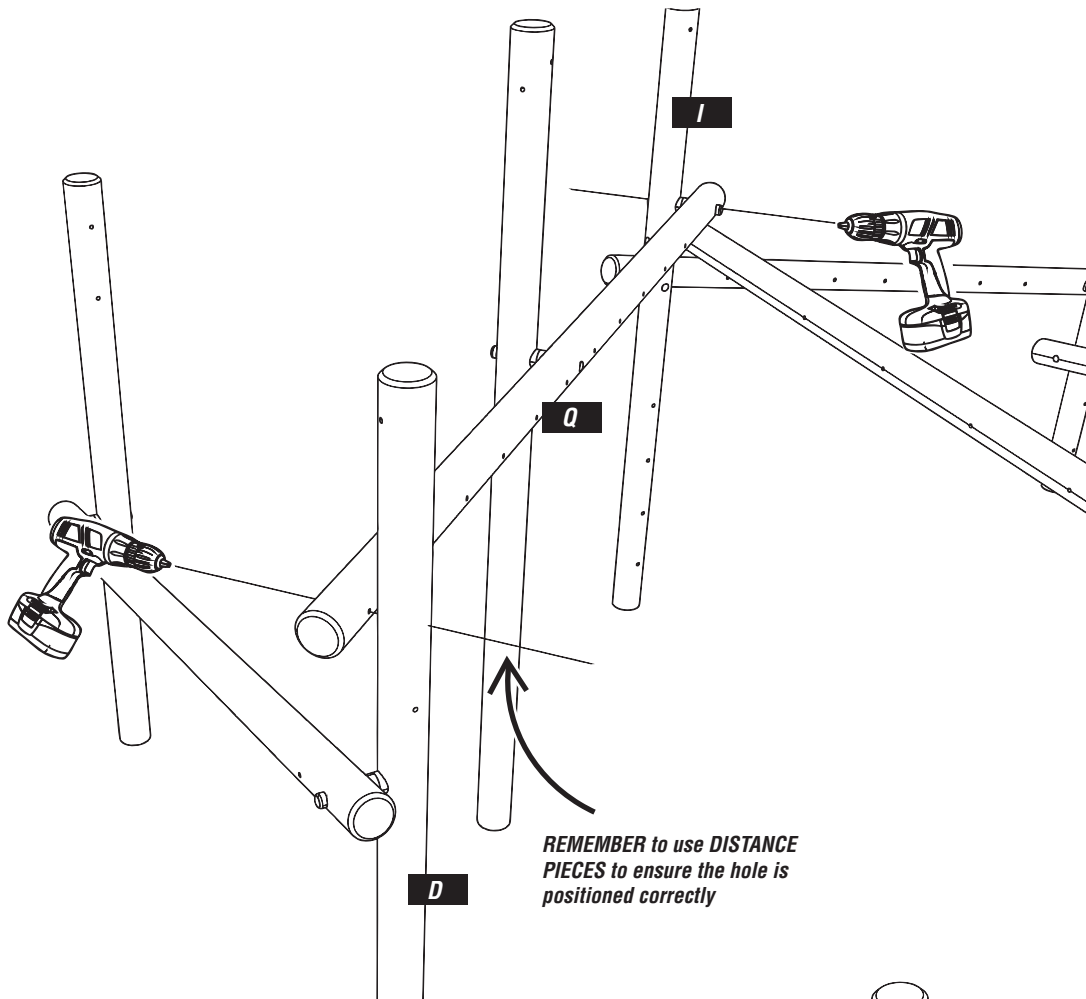
Q - timber is bolted through 8th hole onto the J - timber CIRCLED RED BELOW (8th from the LEFT)



Installation Instructions

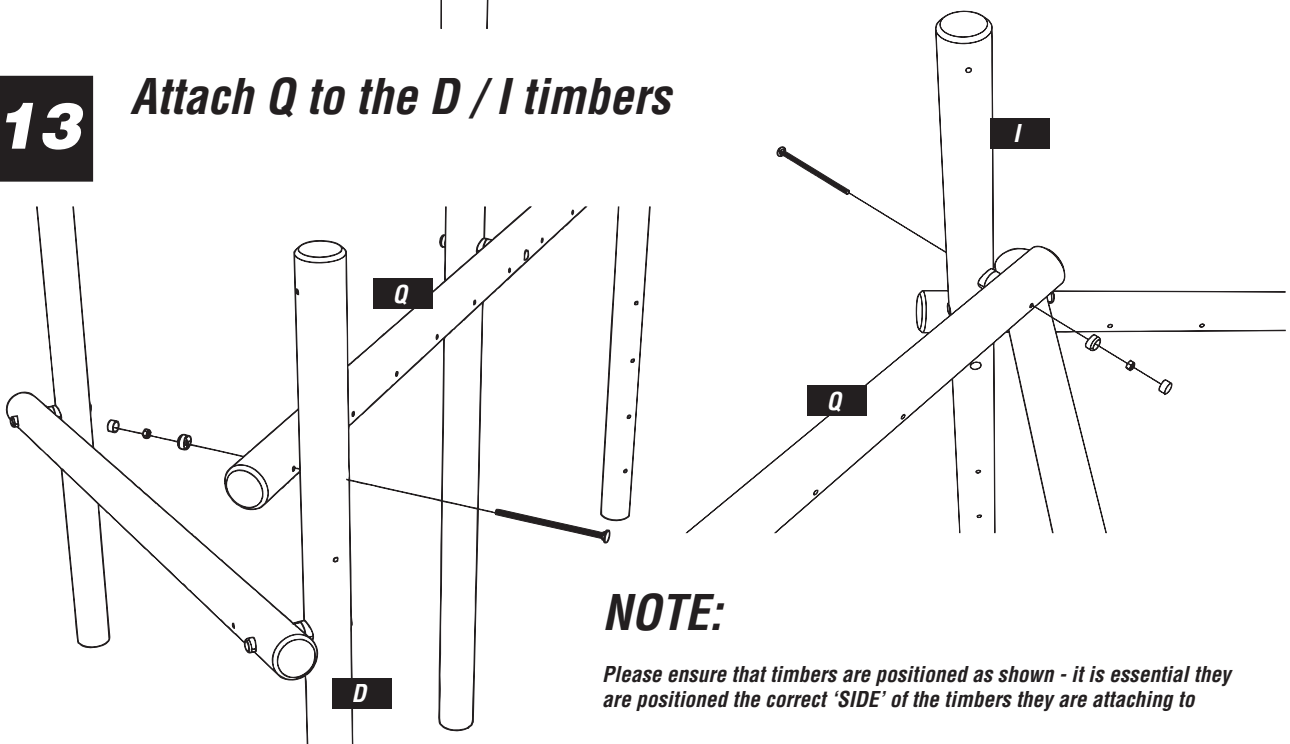
12

DRILL D / I - timbers, using the PRE-DRILLED HOLE in the Q - timber as a guide



13

Attach Q to the D / I timbers

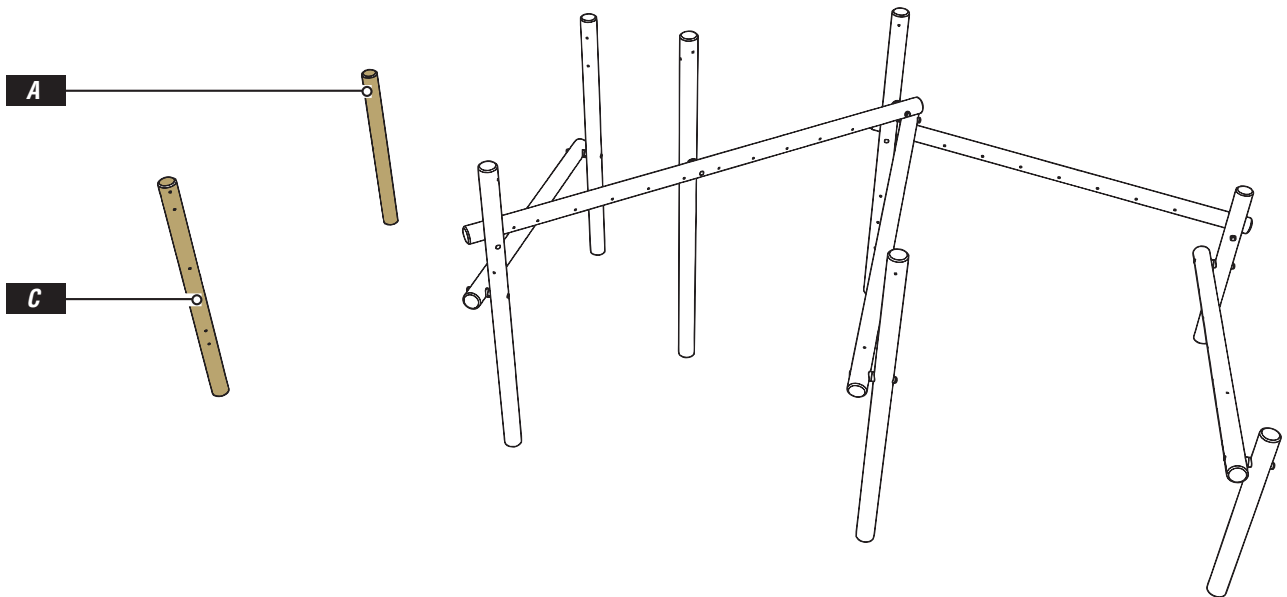


Installation Instructions

14

Position the A / C - timbers

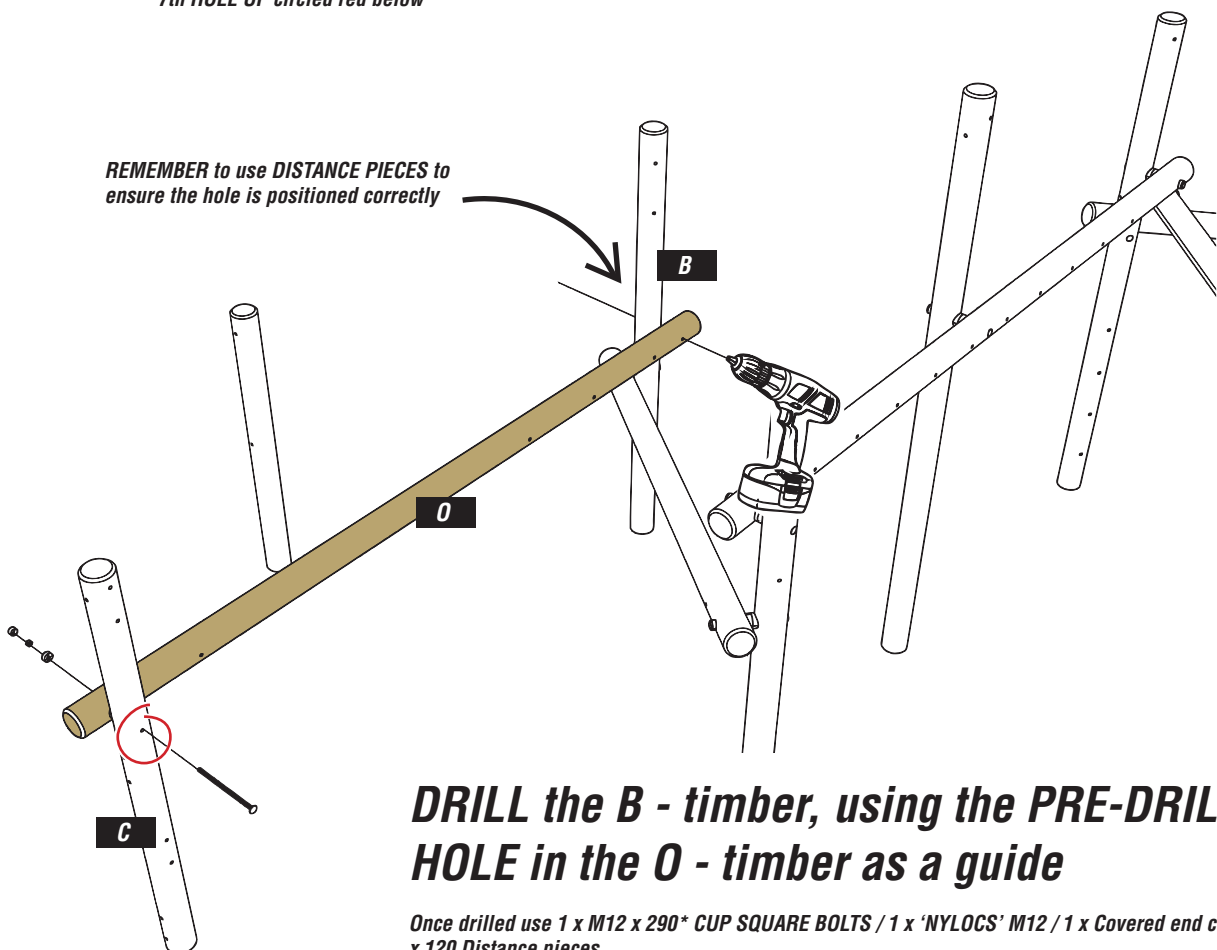
VERTICAL TIMBERS (VT) are CHAMFERED at one end only - ENSURE THIS END IS NOT IN THE GROUND



15

Attach O to VT1 timber

Using 1 x M12 x 290* CUP SQUARE BOLTS / 1 x 'NYLOCS' M12 / 1 x Covered end cap R60 / 2 x 120 Distance pieces
7th HOLE UP circled red below



DRILL the B - timber, using the PRE-DRILLED HOLE in the O - timber as a guide

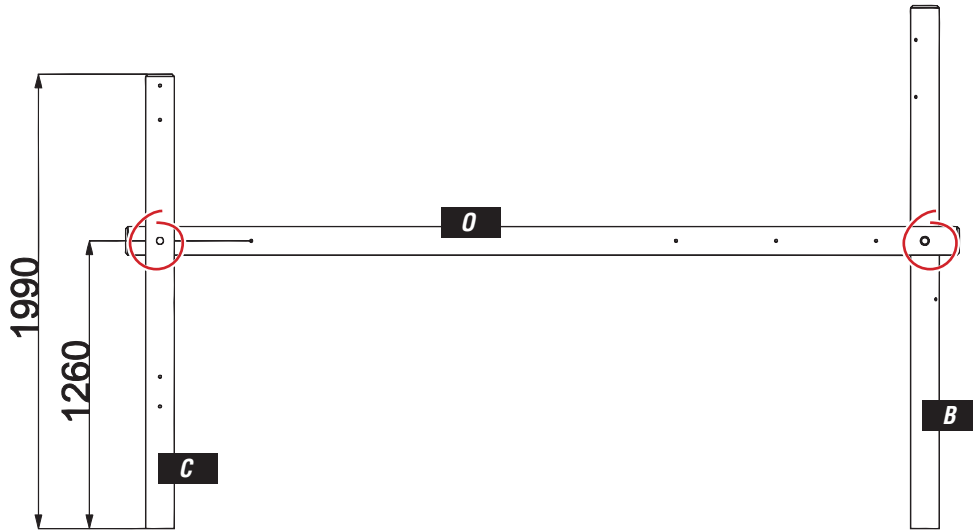
Once drilled use 1 x M12 x 290* CUP SQUARE BOLTS / 1 x 'NYLOCS' M12 / 1 x Covered end cap R60 / 2 x 120 Distance pieces

Installation Instructions

16

ENSURE the positioning of the O-timber is correct

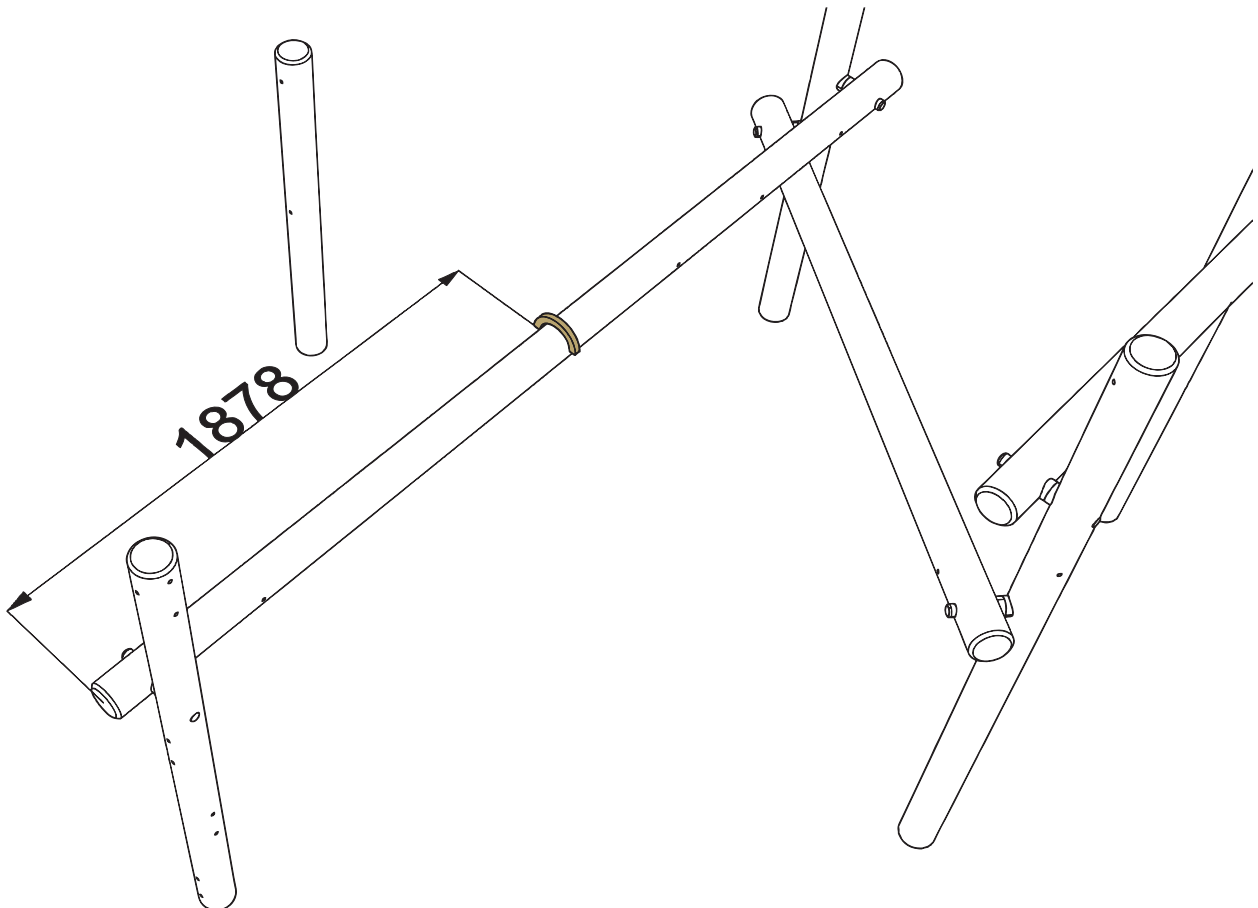
The O - timber is bolted through 1st HOLE (either end) onto the C / B timbers **CIRCLED RED BELOW**



17

Use the 'TIMBER MARKER GUIDE' to mark the O - Timber

Mark a line around the O - timber - 1878mm from the end as shown below

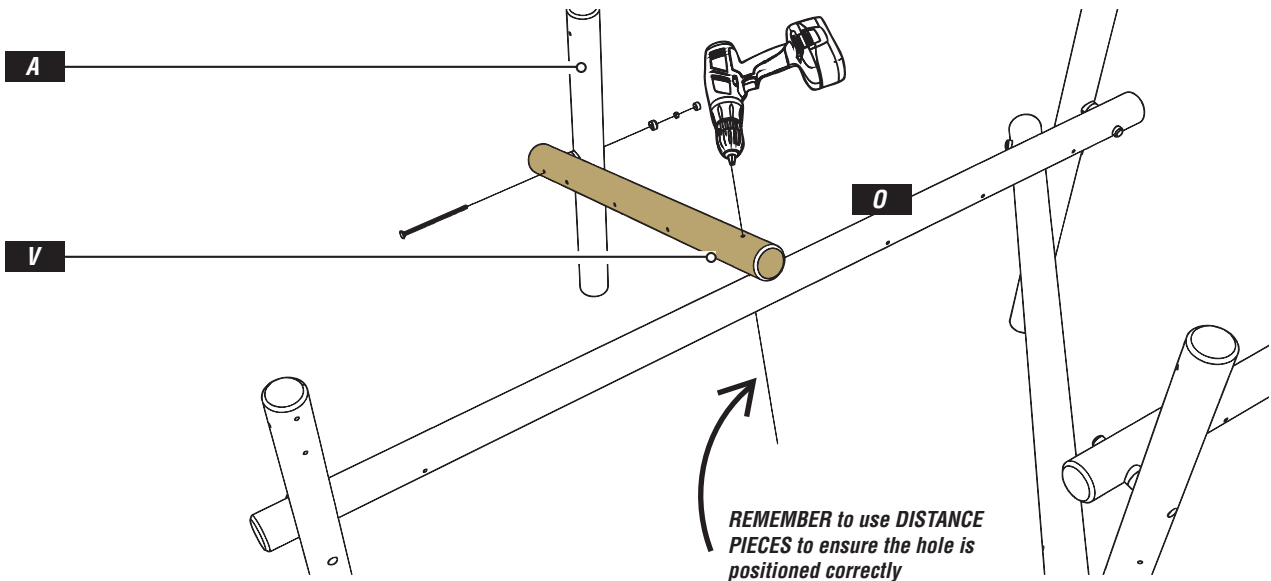


Installation Instructions

18

Attach V - timber to A - timber

Using 1 x M12 x 290* CUP SQUARE BOLTS / 1 x 'NYLOCS' M12 / 1 x Covered end cap R60 / 2 x 120 Distance pieces



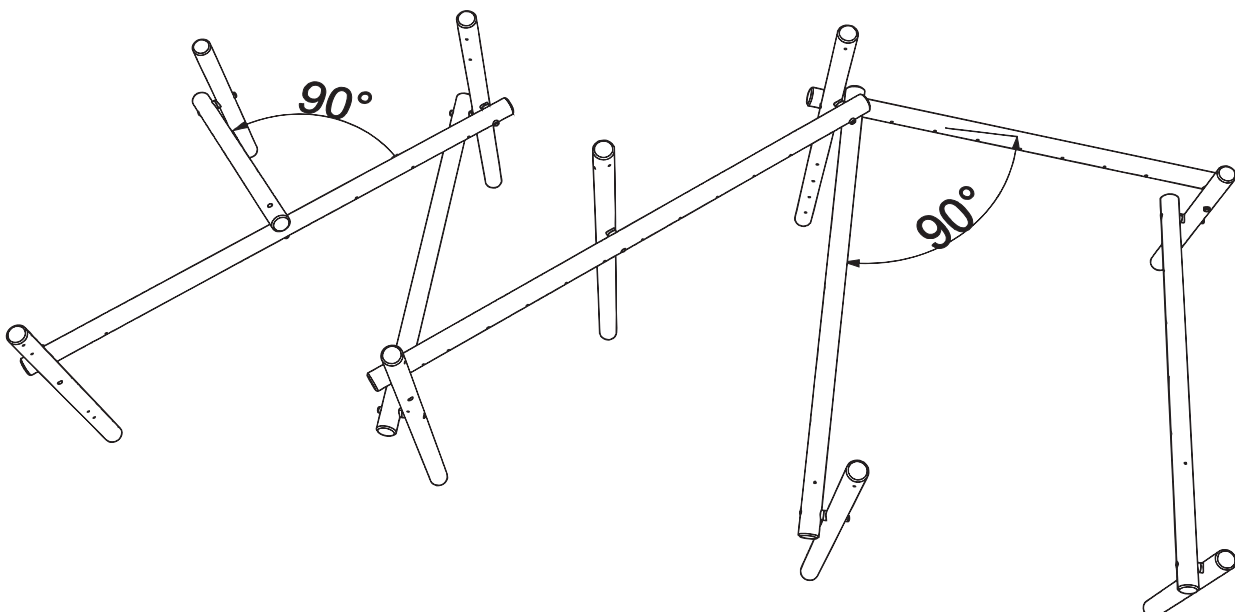
DRILL O timber, using the PRE-DRILLED HOLE in the V - timber as a guide - line the hole up with the LINE marked in step 17

Once drilled use 1 x M12 x 290* CUP SQUARE BOLTS / 1 x 'NYLOCS' M12 / 1 x Covered end cap R60 / 2 x 120 Distance pieces

19

The main assembly is now complete

Concrete foundations can now be laid - the main assembly means that ALL holes are 'LOCKED' in the correct position

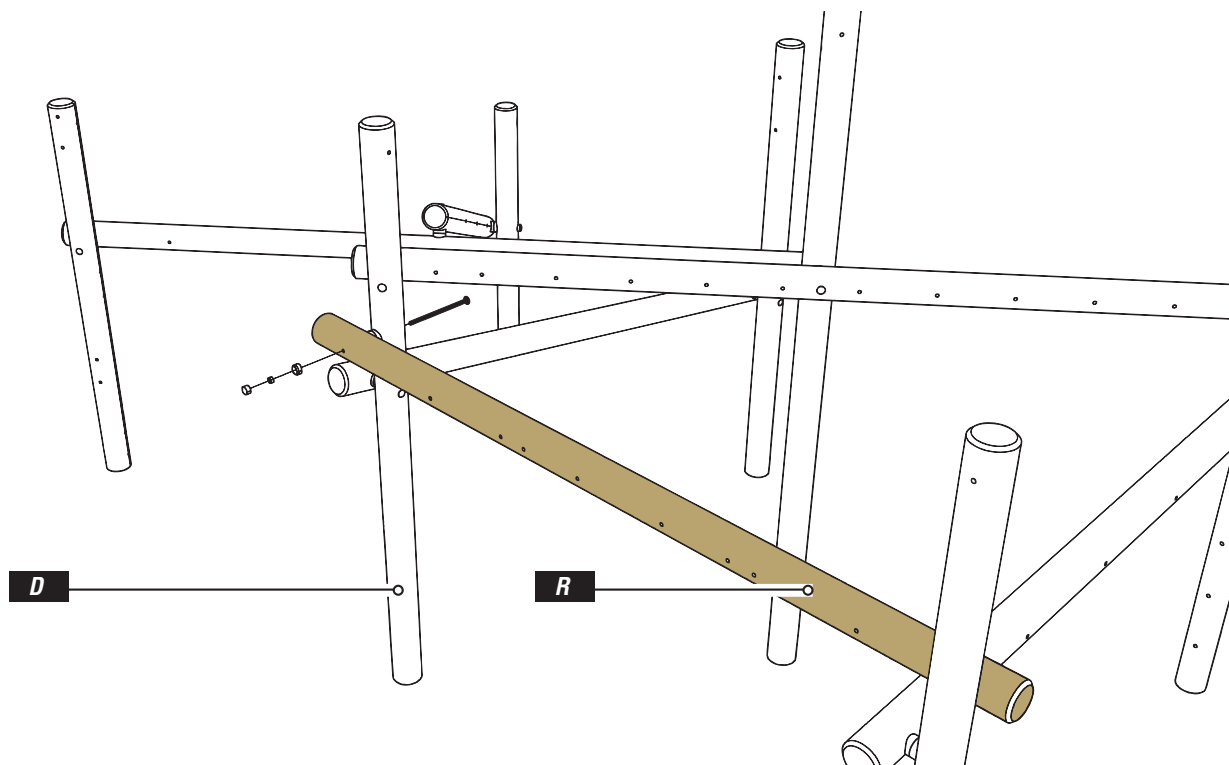


Installation Instructions

20

Attach R - timber to D - timber

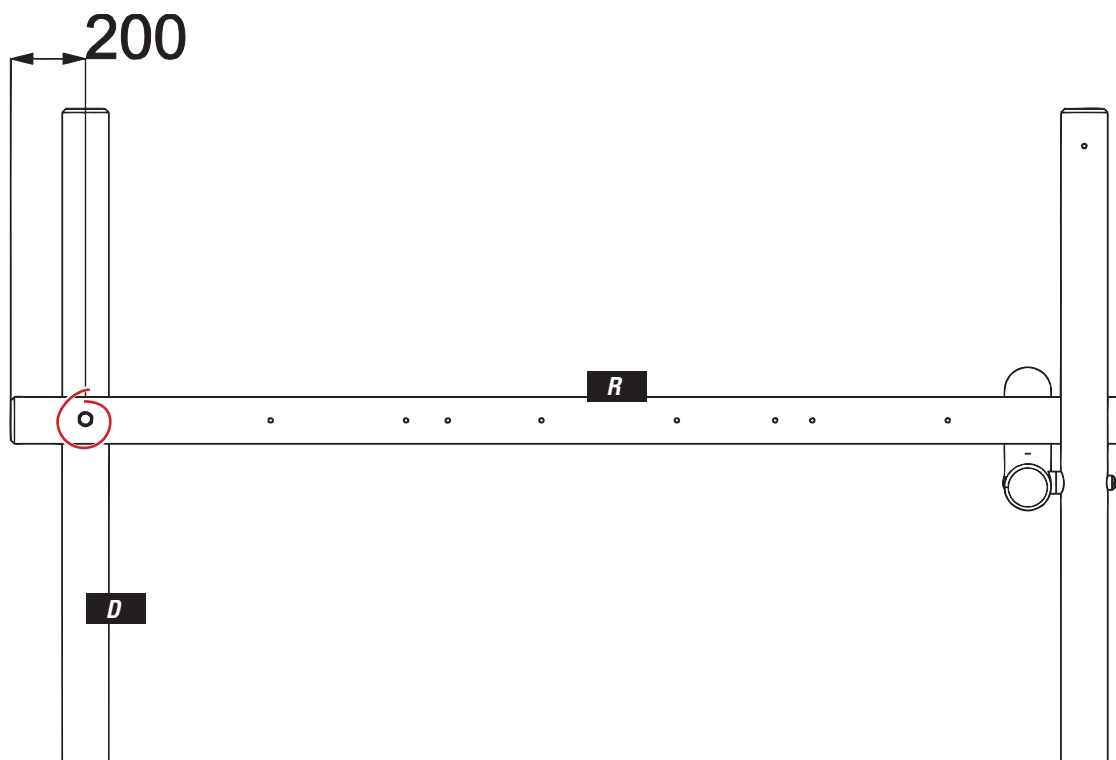
Using 1 x M12 x 290* CUP SQUARE BOLTS / 1 x 'NYLOCS' M12 / 1 x Covered end cap R60 / 2 x 120 Distance pieces



21

ENSURE the positioning of the R is correct

The R - timber is bolted through 1st HOLE - 200mm FROM THE END into the D - timber CIRCLED RED BELOW

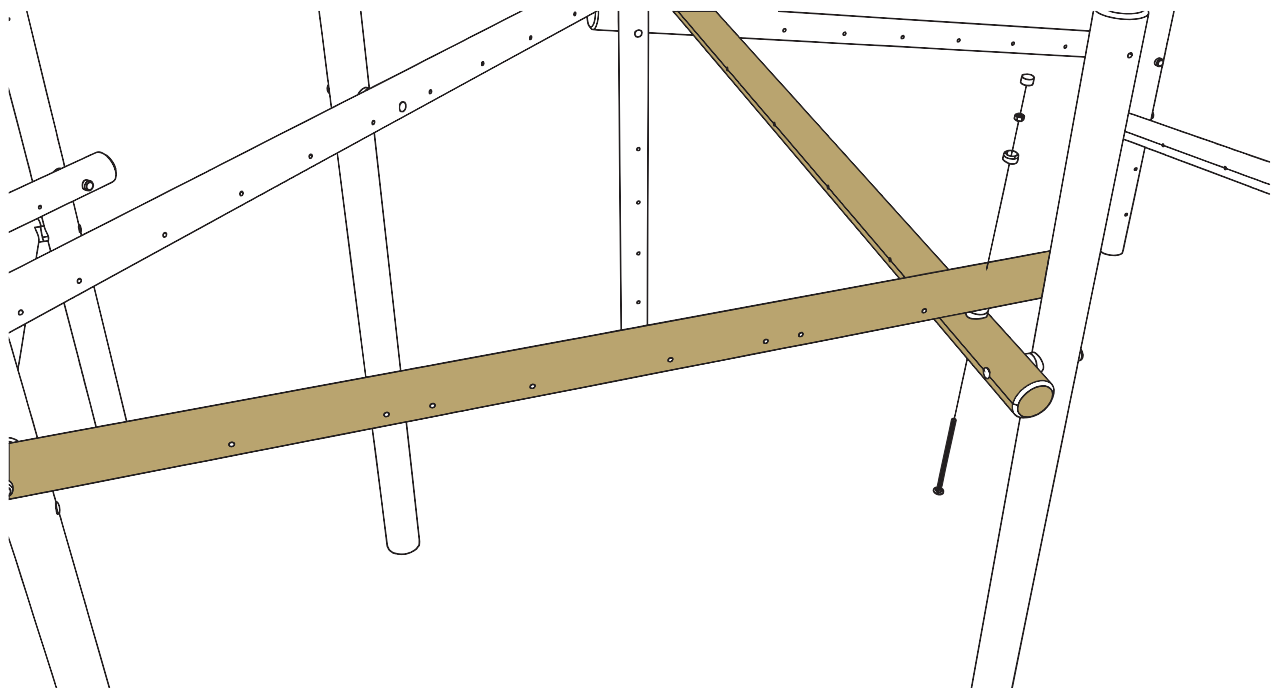
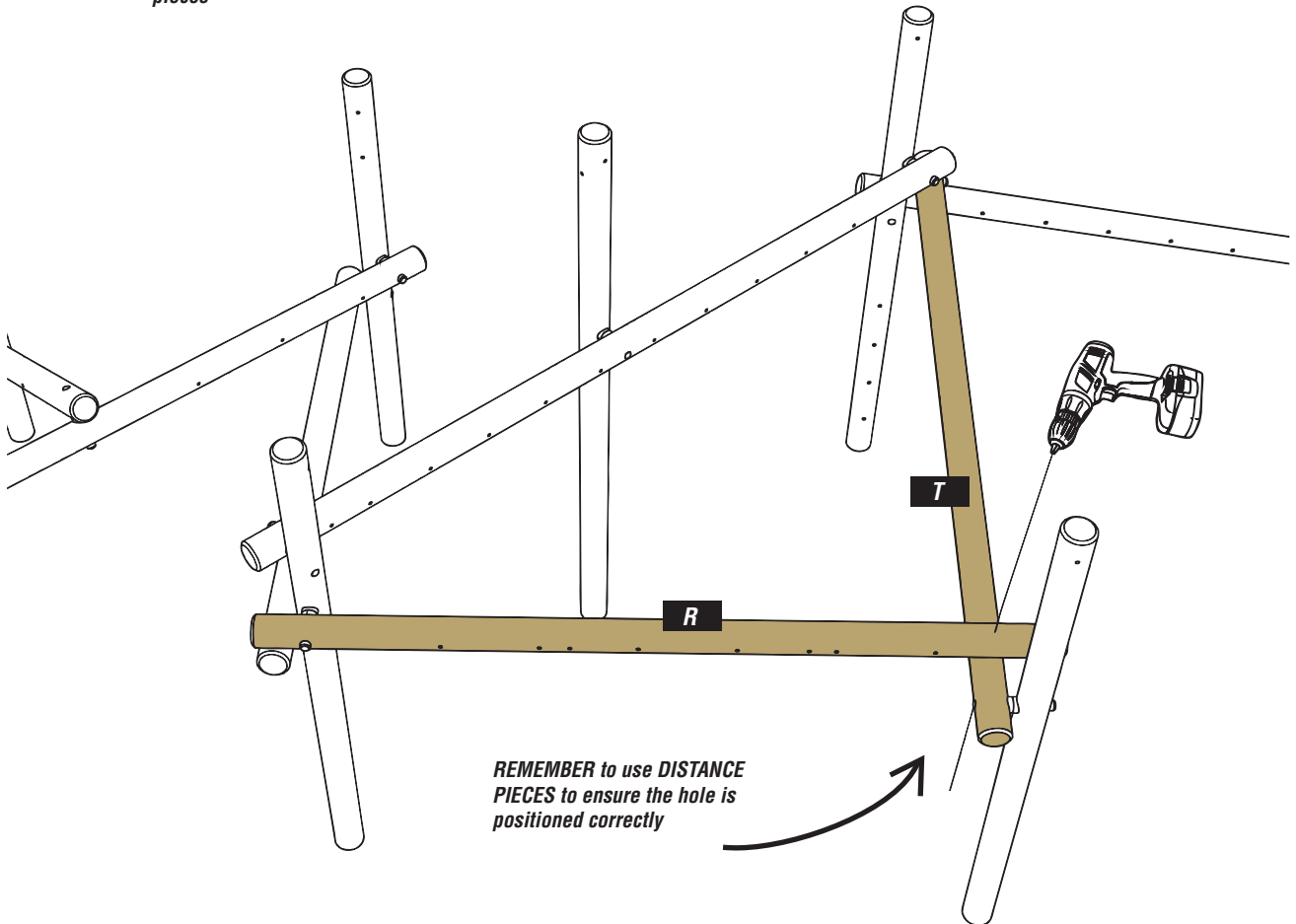


Installation Instructions

22

DRILL the R - timber, using the PRE-DRILLED HOLE in the T - timber as a guide

Once drilled attach using 1 x M12 x 290* CUP SQUARE BOLTS / 1 x 'NYLOCS' M12 / 1 x Covered end cap R60 / 2 x 120 Distance pieces

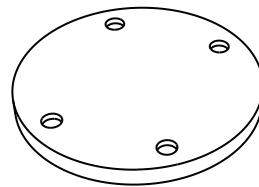
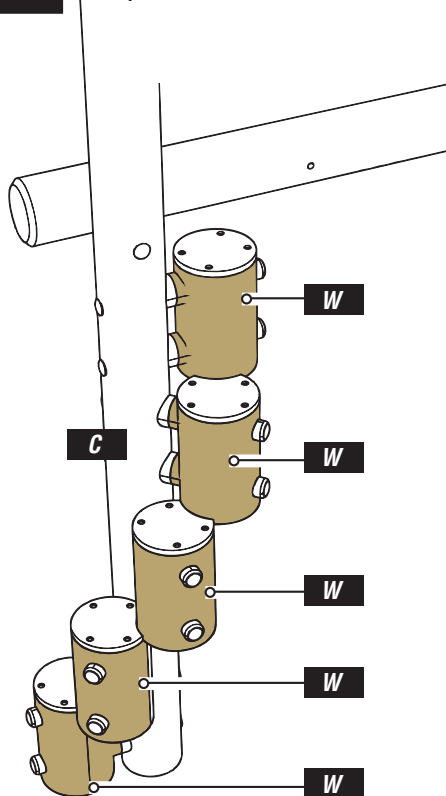


Installation Instructions

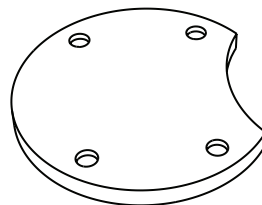
23

Assemble the SPIRAL STEP CLIMBER to the C - timber

Step climber consists of ... 5 x W - timbers, 1 x HEX board step, 4 x HEX board step with cut outs pieces



x1 (HEX BOARD 'STEP')



x4 (HEX BOARD 'STEP' with cut out)

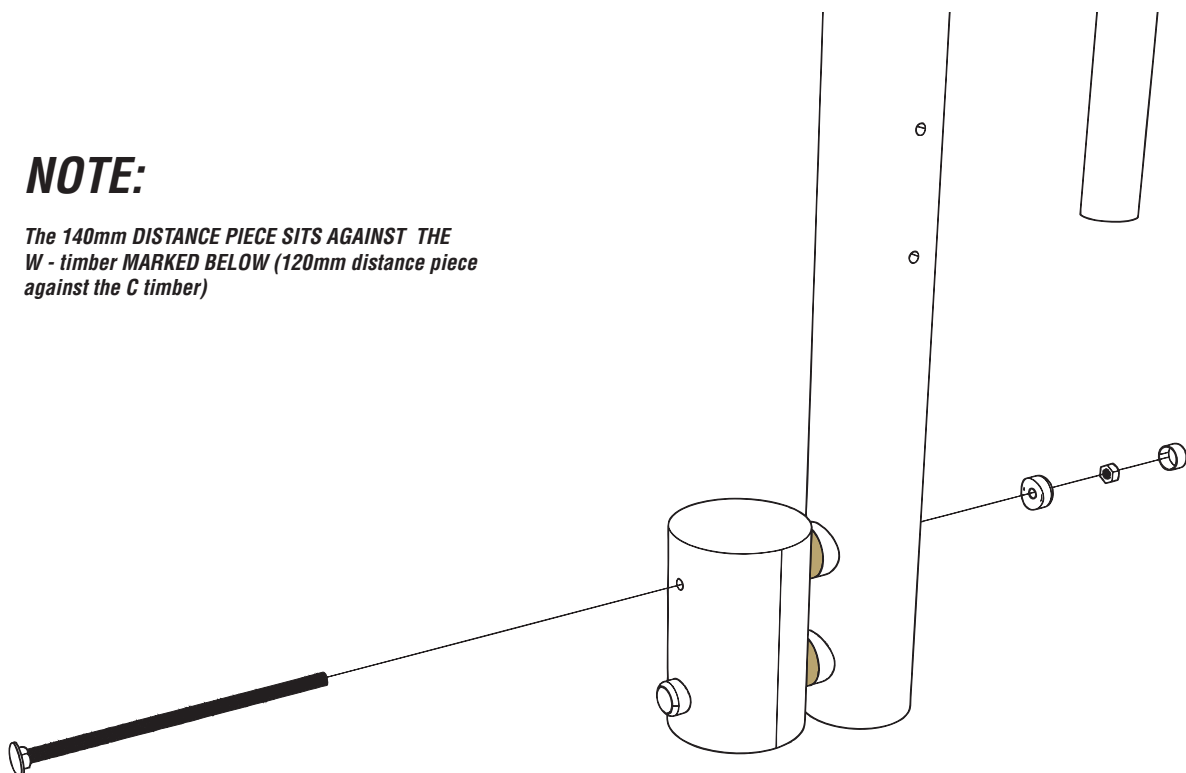
24

Attach the BOTTOM W - timber to the C - timber

Using 2 x M12 x 320* CUP SQUARE BOLTS / 2 x 'NYLOCS' M12 / 2 x Covered end cap R60 / 2 x 120 Distance piece
2 x 140 Distance piece

NOTE:

The 140mm DISTANCE PIECE SITS AGAINST THE W - timber MARKED BELOW (120mm distance piece against the C timber)

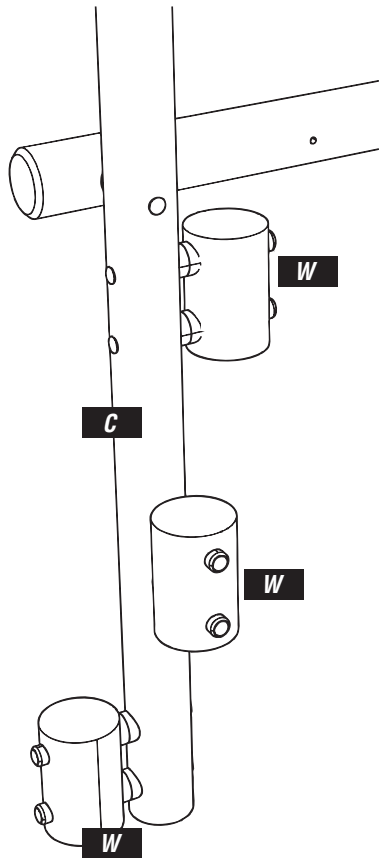


Installation Instructions

25

Attach the 3rd / 5th W - timbers to the C - timber

Using 4 x M12 x 320* CUP SQUARE BOLTS / 4 x 'NYLOCS' M12 / 4 x Covered end cap R60 / 4 x 120 Distance piece
4 x 140 Distance piece



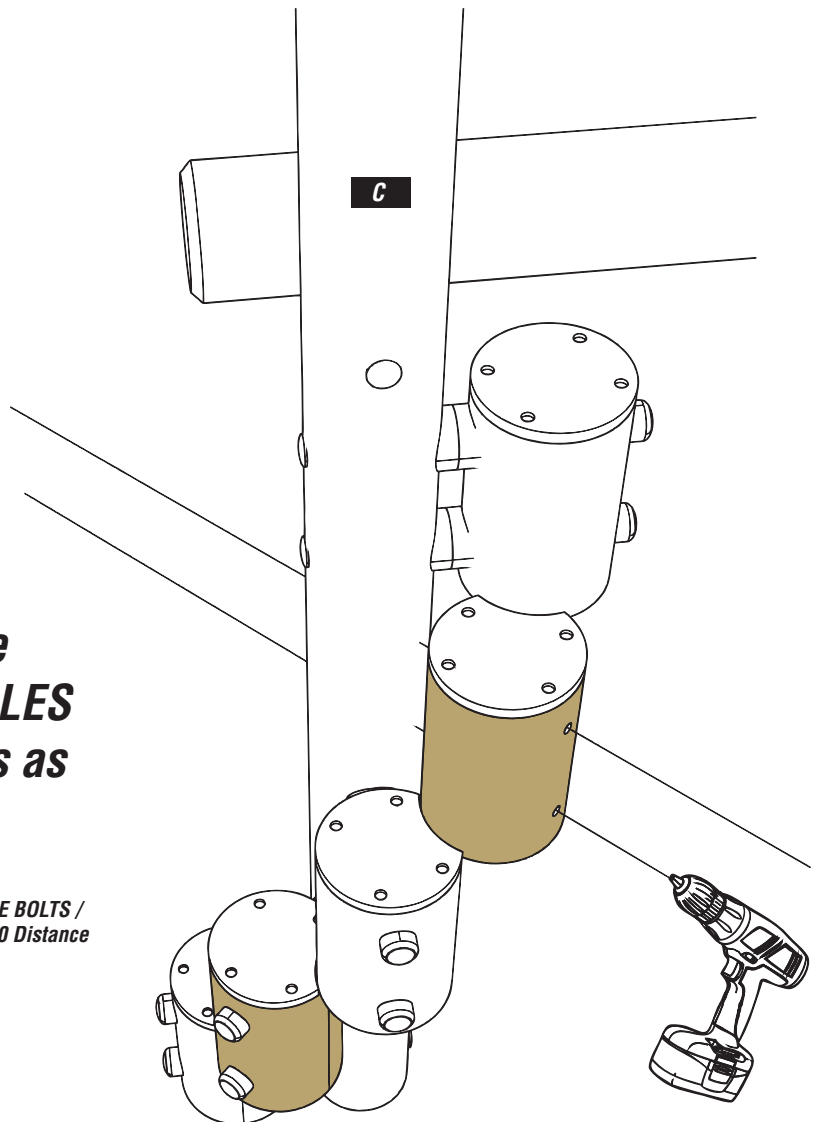
NOTE:

- The W - timbers sit 'ontop' of each other
- Using the HEX BOARD STEP with cut outs and the distance pieces will ensure the W timbers are positioned correctly
- USE THE CLAMP to hold it in place

26

DRILL C using the PRE-DRILLED HOLES in the W - timbers as a guide

Once drilled attach using 4 x M12 x 320* CUP SQUARE BOLTS / 4 x 'NYLOCS' M12 / 4 x Covered end cap R60 / 4 x 120 Distance piece / 4 x 140 Distance piece

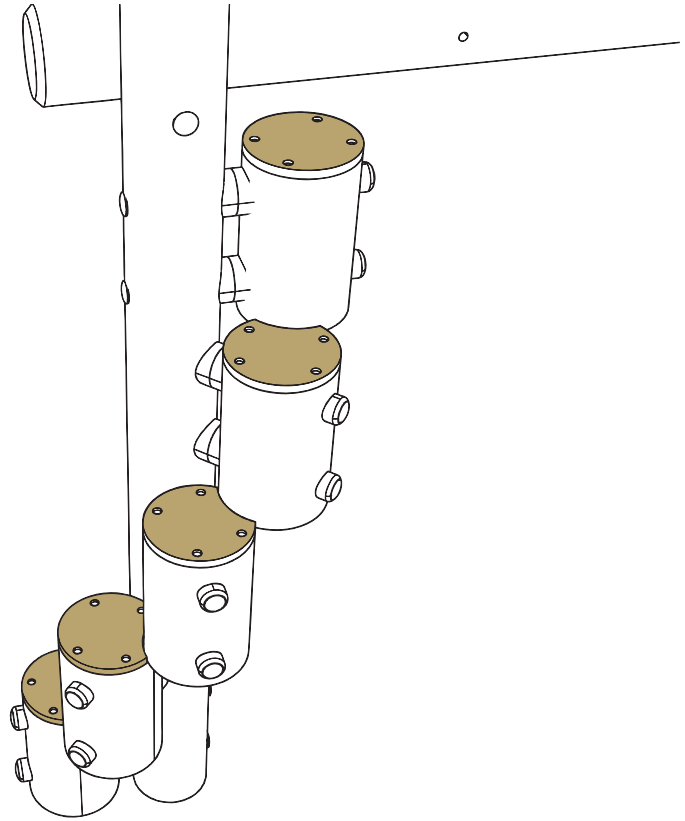


Installation Instructions

27

Attach the HEX BOARD STEPS

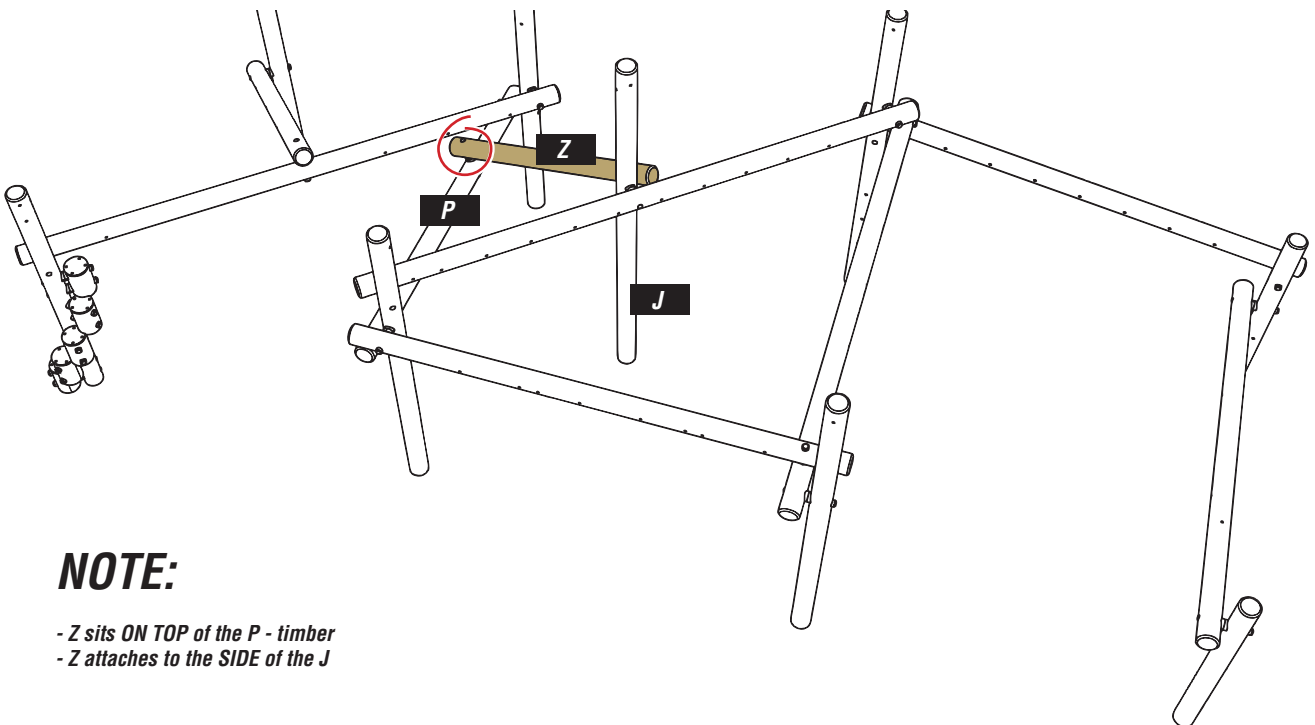
Once all the W - timbers are positioned / attached use 20 x FM80 WOOD SCREWS to secure the HEX STEPS



28

Position Z against the P / J timbers

The Z - timber is pre-drilled ONE END ONLY - this end sits against the P timber (circled RED below)



NOTE:

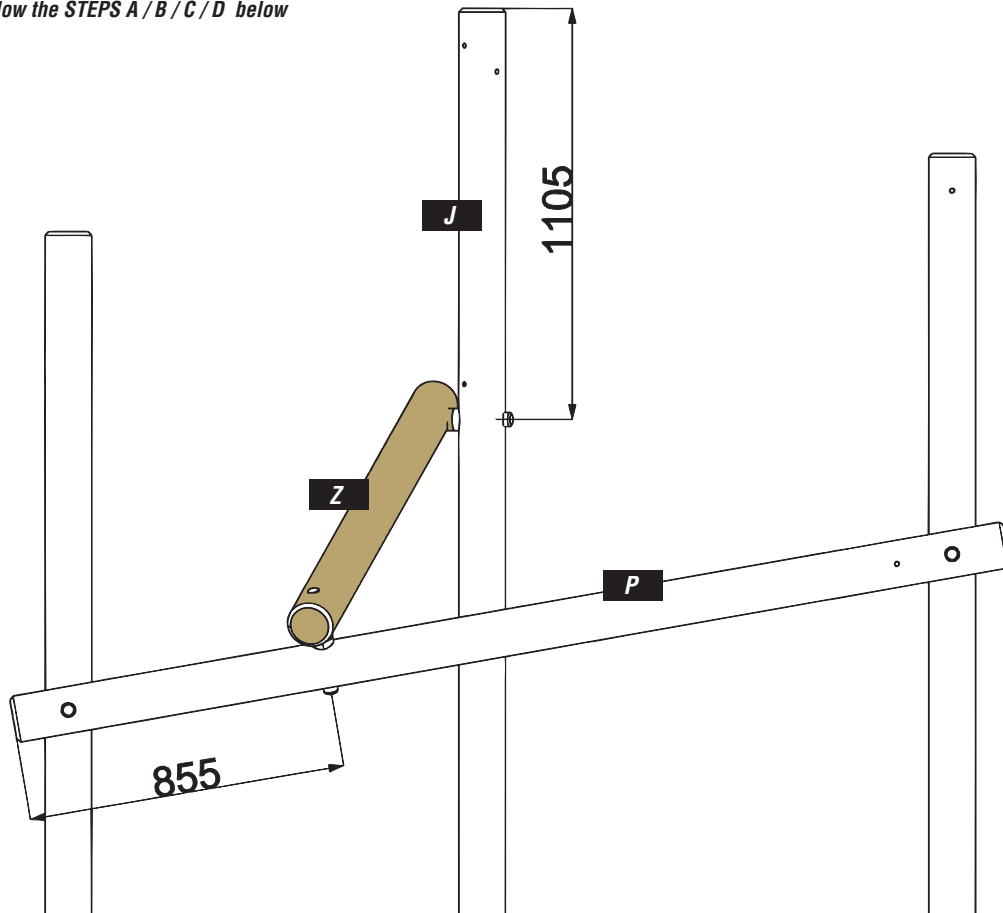
- Z sits ON TOP of the P - timber
- Z attaches to the SIDE of the J

Installation Instructions

29

MARK / CLAMP / DRILL / ATTACH

Follow the STEPS A / B / C / D below



MARK / CLAMP / DRILL / ATTACH

A - Use the 'TIMBER MARKER GUIDE' to mark P and J Timbers

Mark a line around the P - timber - 855mm from the end as shown above / Mark a line around the J - timber - 1105mm from the TOP OF THE TIMBER

B - CLAMP the top of the Z - timber to the J - Timber

REMEMBER to use DISTANCE PIECES to ensure the hole is positioned correctly

C - DRILL the P - timber using the hole in Z as a guide

REMEMBER to use DISTANCE PIECES to ensure the hole is positioned correctly

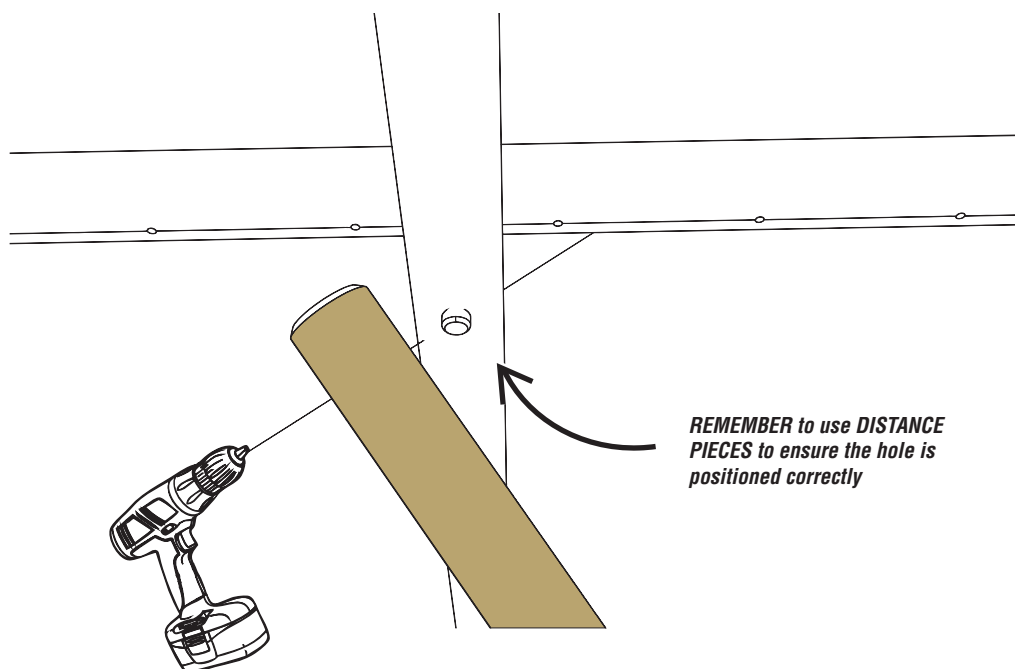
D - ATTACH using 2 x M12 x 290* CUP SQUARE BOLTS / 2 x 'NYLOCS' M12 / 2 x Covered end cap R60 / 2 x 120 Distance pieces

Installation Instructions

30

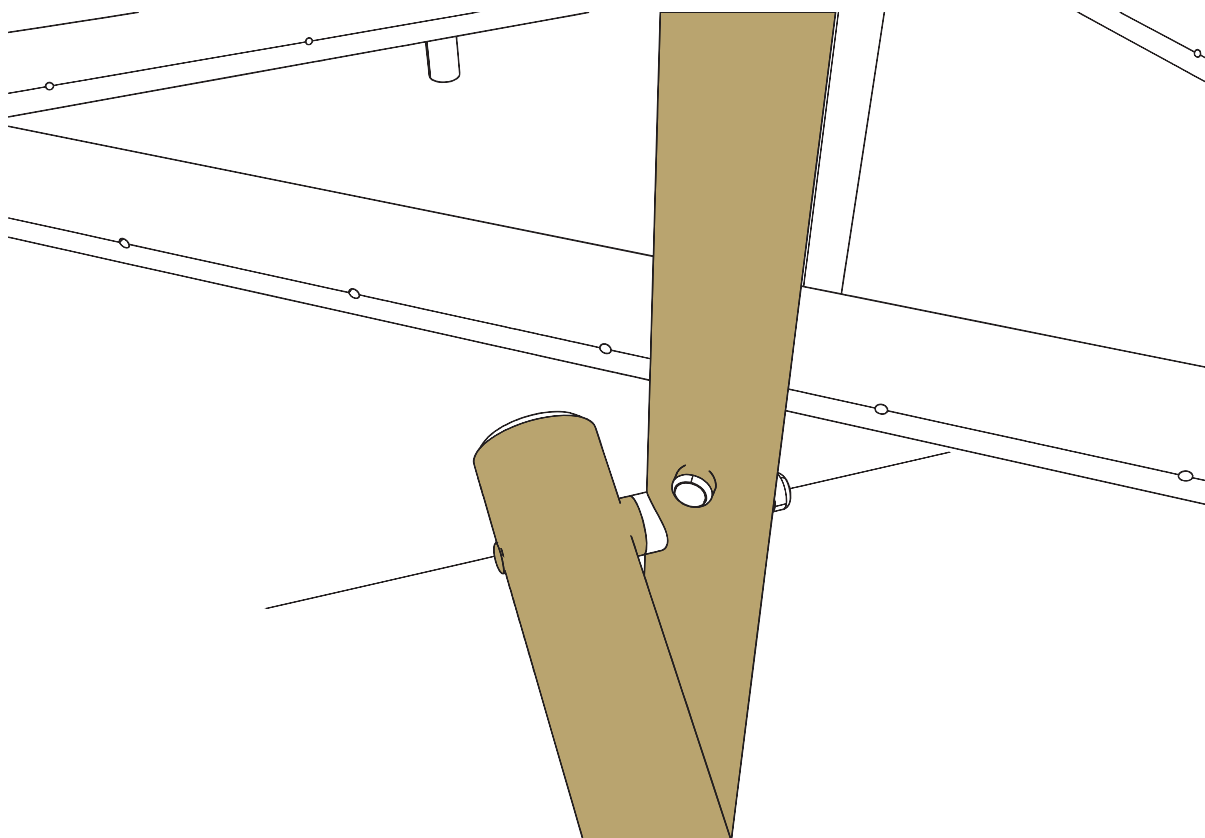
DRILL through Z & J timbers

The J timber hole position is MARKED - 1105mm from the TOP



31

ATTACH Z to the J timber

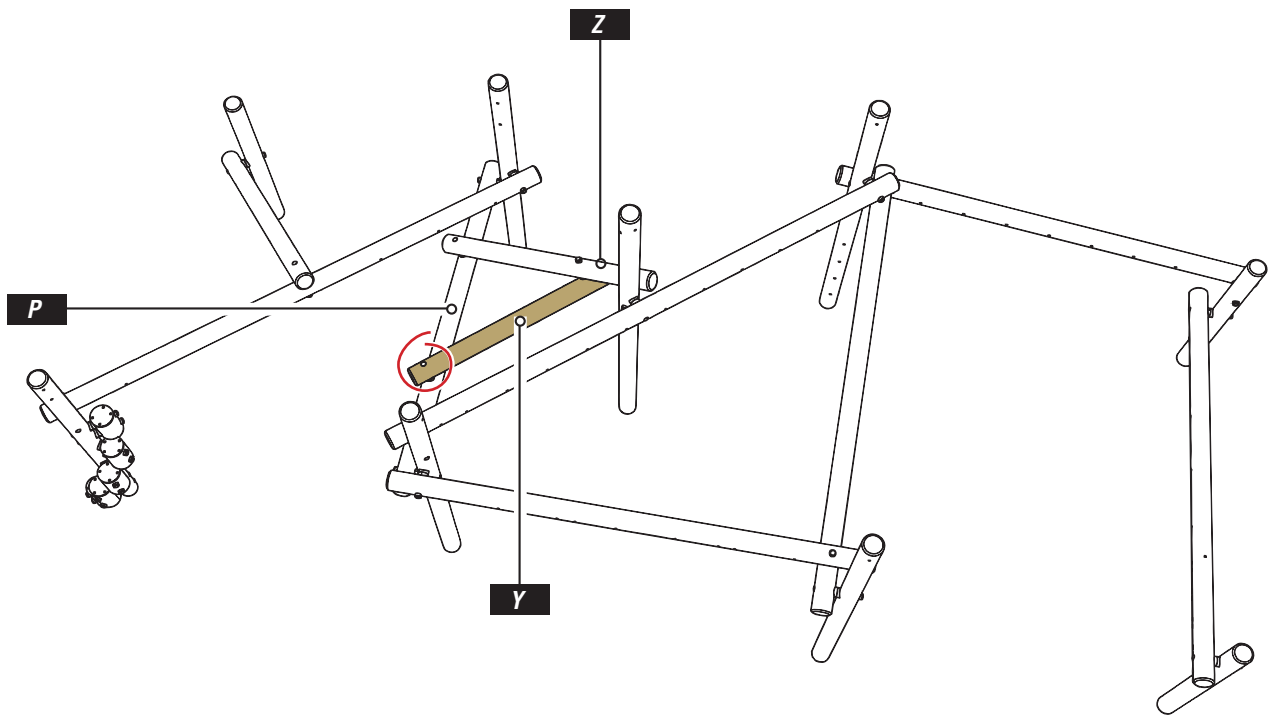


Installation Instructions

32

Position the Y timber against the P and Z timbers

Y is pre-drilled ONE END ONLY - this end sits against the P timber (circled RED below)



MARK / CLAMP / DRILL / ATTACH

A - Use the 'TIMBER MARKER GUIDE' to mark the Z and P Timbers

Mark a line around the P timber - 1882mm from the end as shown next page / Mark a line around the Z timber - 536mm from the TOP OF THE TIMBER

B - CLAMP the top of the Y timber to the Z timber

REMEMBER to use DISTANCE PIECES to ensure the hole is positioned correctly

C - DRILL the P timber using the hole in Y as a guide

REMEMBER to use DISTANCE PIECES to ensure the hole is positioned correctly

D - ATTACH using 2 x M12 x 290* CUP SQUARE BOLTS / 2 x 'NYLOCS' M12 / 2 x Covered end cap R60 / 4 x 120 Distance pieces

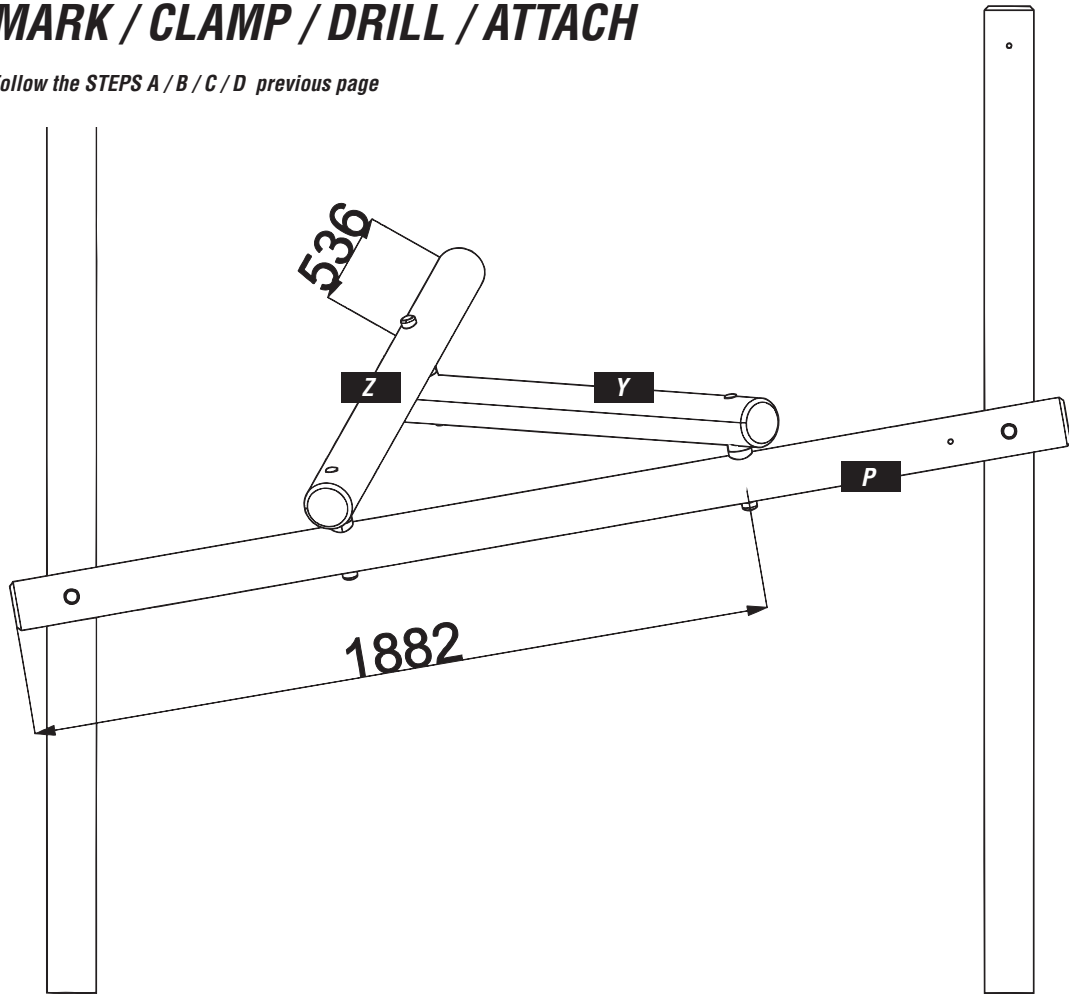
(ATTACH CIRCLED RED END FIRST)

Installation Instructions

33

MARK / CLAMP / DRILL / ATTACH

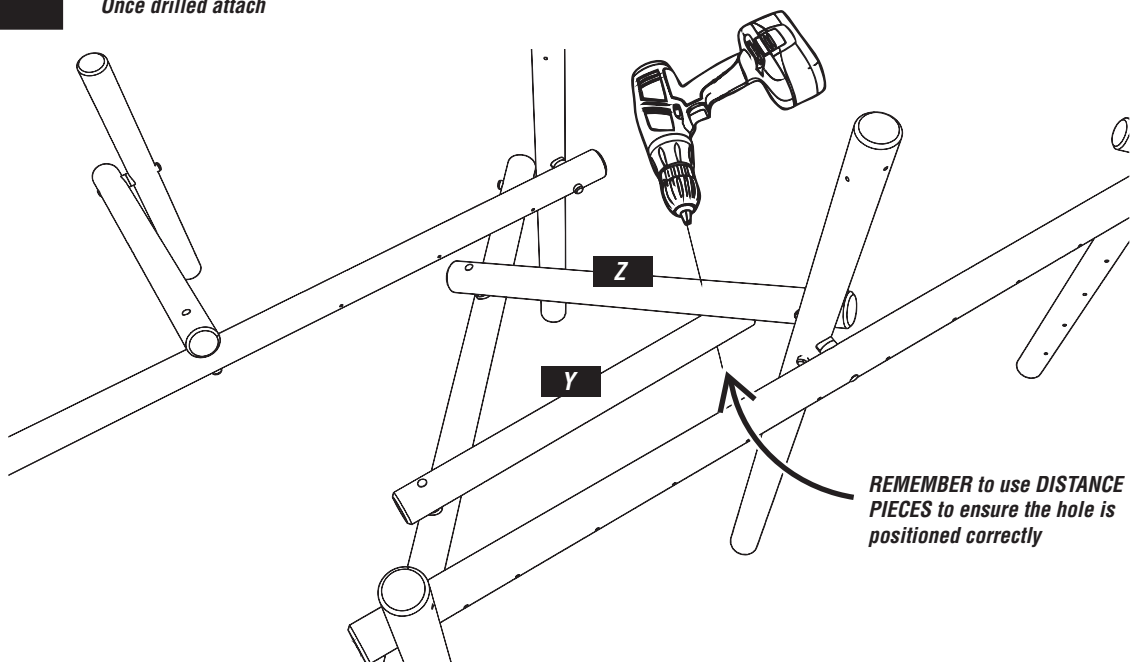
Follow the STEPS A / B / C / D previous page



34

DRILL through the Z & Y timbers

Once drilled attach

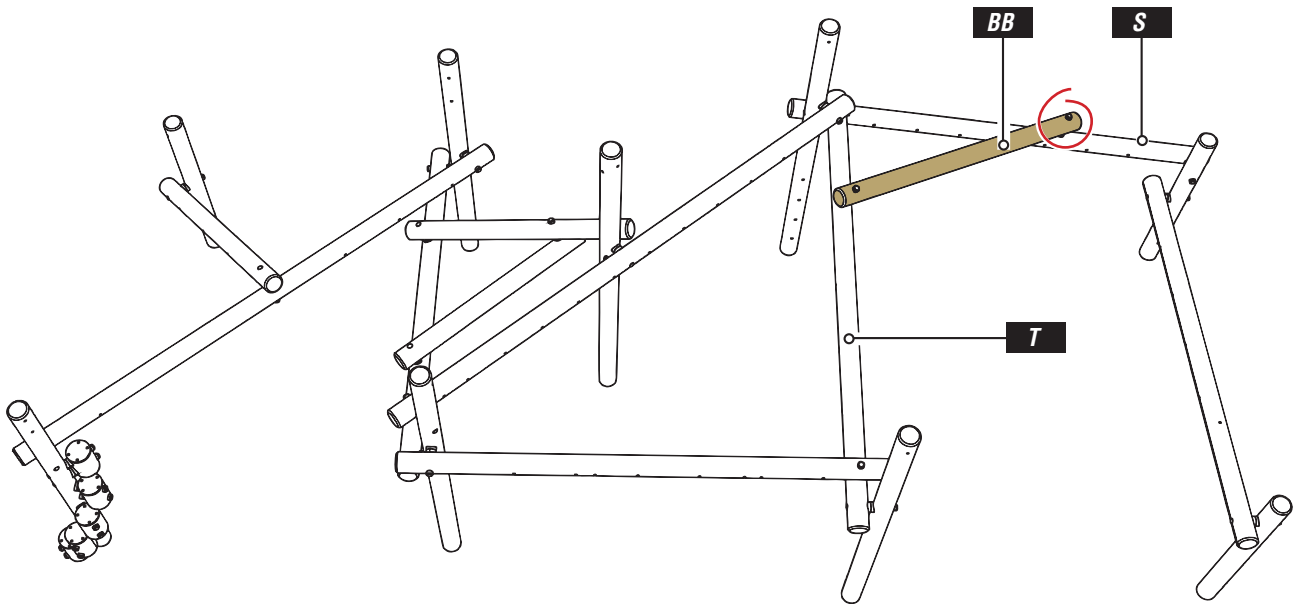


Installation Instructions

35

MARK / CLAMP / DRILL / ATTACH **BB**

BB is pre-drilled ONE END ONLY - this end sits against the S - timber (circled RED below)

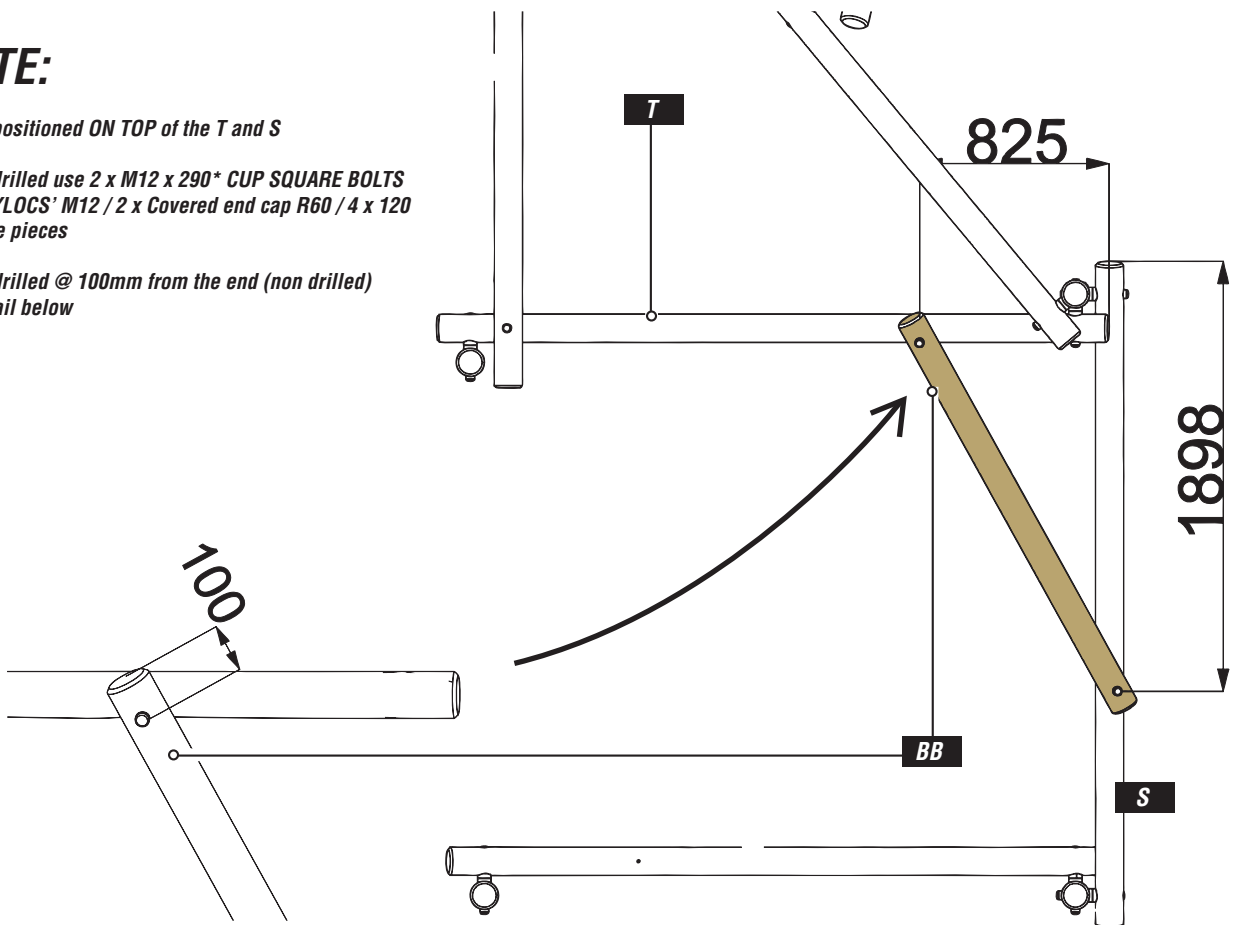


NOTE:

- BB is positioned ON TOP of the T and S

- Once drilled use 2 x M12 x 290* CUP SQUARE BOLTS / 2 x 'NYLOCS' M12 / 2 x Covered end cap R60 / 4 x 120 Distance pieces

- BB is drilled @ 100mm from the end (non drilled) see detail below

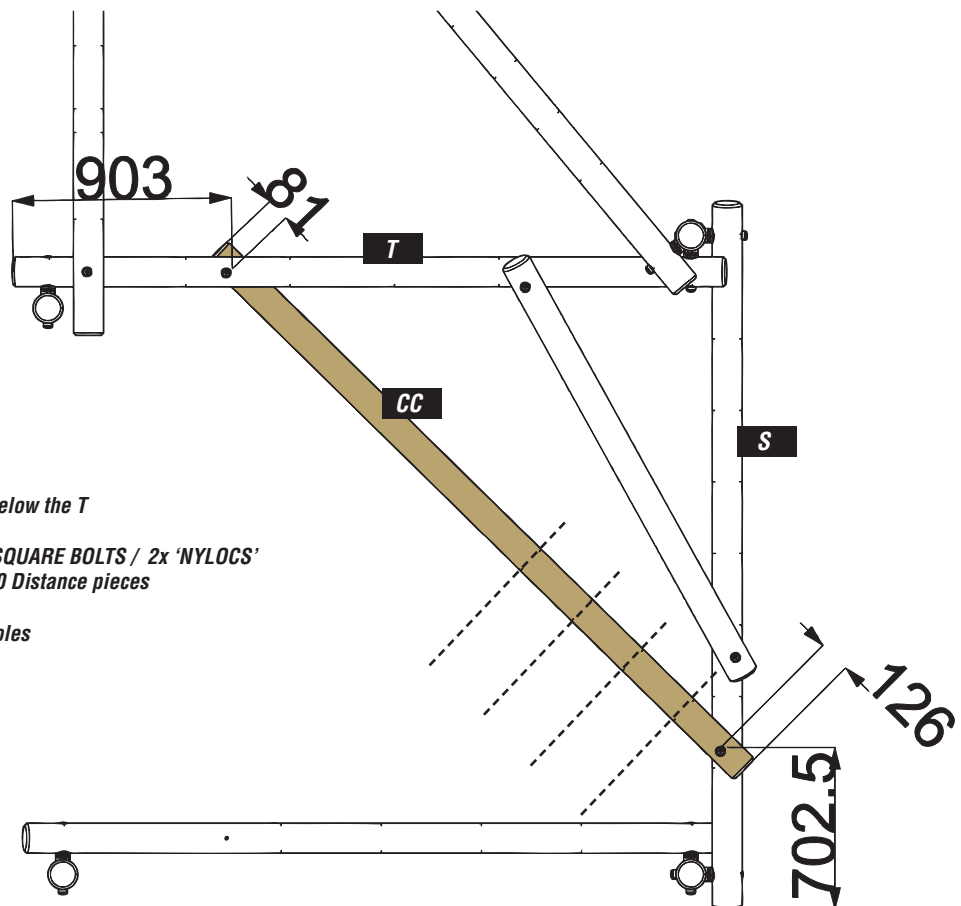
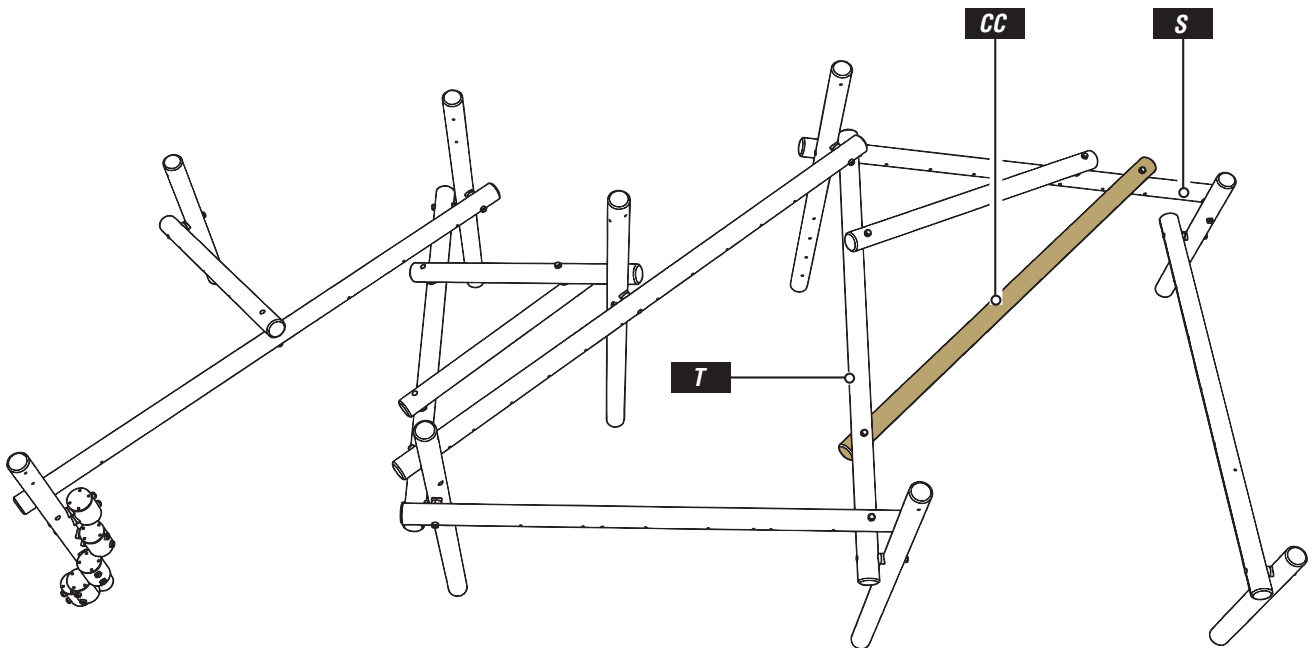


Installation Instructions

36

MARK / CLAMP / DRILL / ATTACH **CC**

The CC is pre-drilled FOR THE NET + BLOCKS - These must be positioned 'LEVEL / HORIZONTAL'



NOTE:

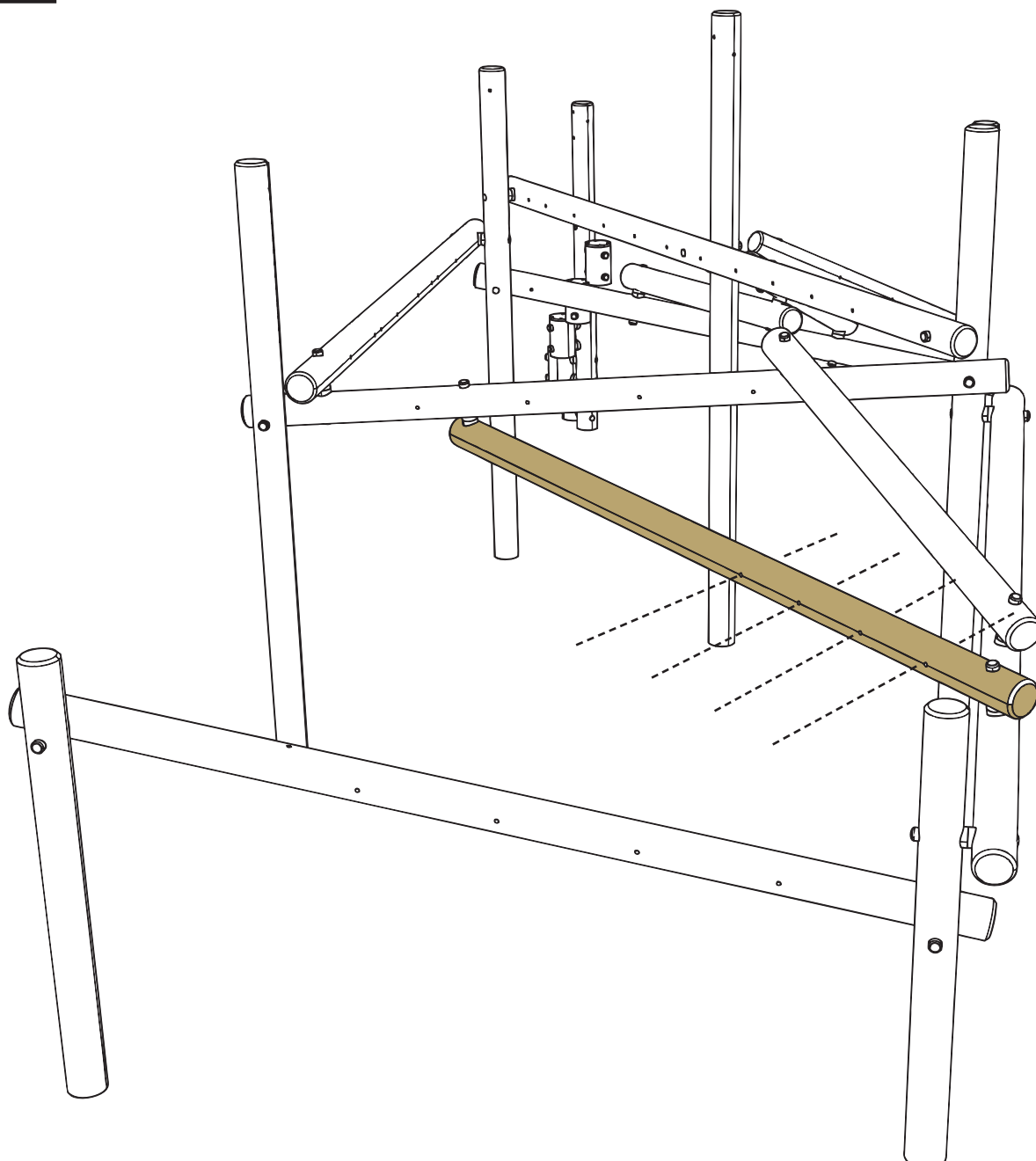
- CCs positioned ON TOP of the S and below the T
- Once drilled use 2 x M12 x 290* CUP SQUARE BOLTS / 2x 'NYLOCS' M12 / 2 x Covered end cap R60 / 4 x 120 Distance pieces
- DOTTED LINE shows direction of the holes

Installation + Assembly Instructions

37

ENSURE the positioning of the CC is correct

The DOTTED LINES / HOLES MUST BE HORIZONTAL

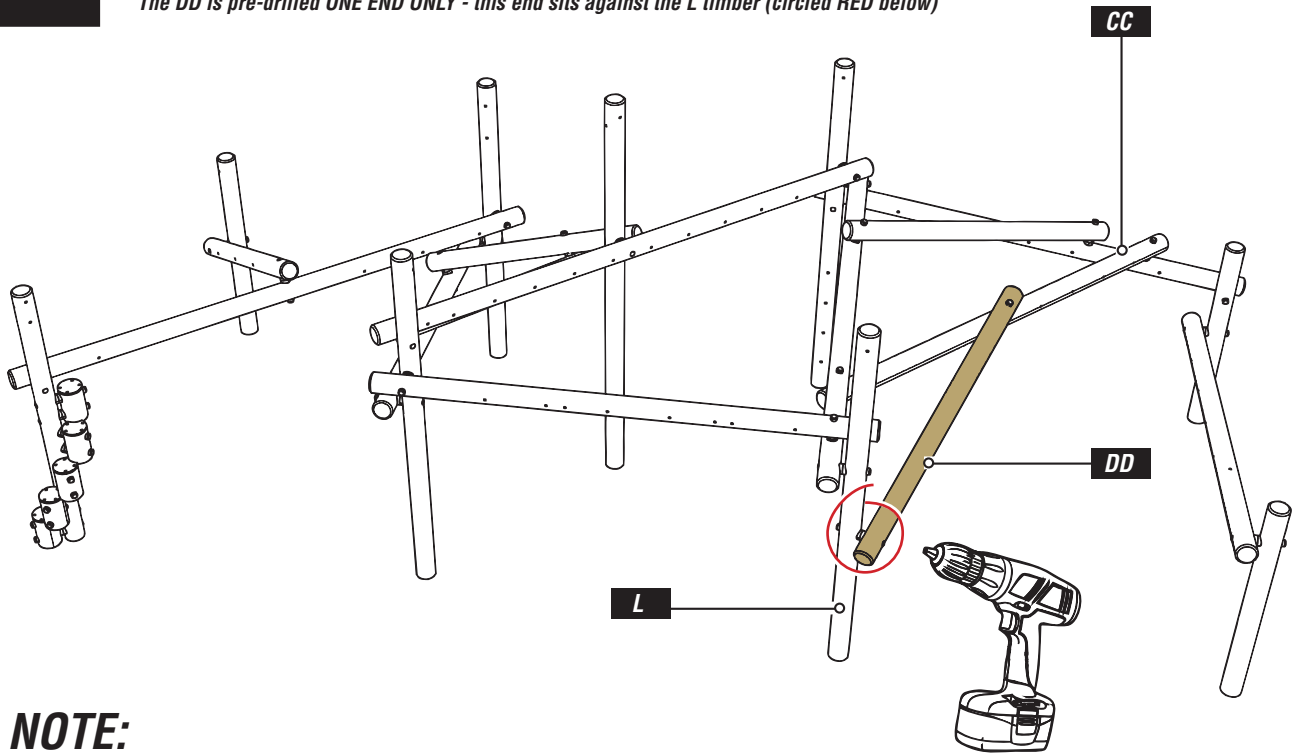


Installation Instructions

38

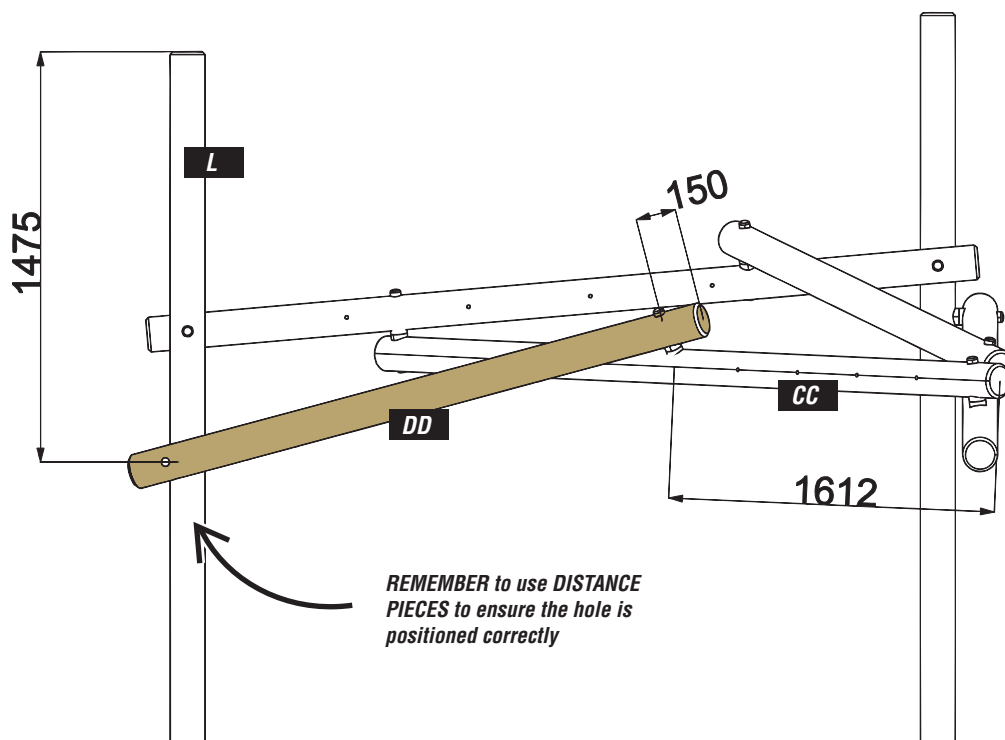
MARK / CLAMP / DRILL / ATTACH **DD**

The DD is pre-drilled ONE END ONLY - this end sits against the L timber (circled RED below)



NOTE:

- Use the PRE-DRILLED hole in the DD timber as a guide to drill through the L timber
- Once drilled use 2 x M12 x 290* CUP SQUARE BOLTS / 2 x 'NYLOGS' M12 / 2 x Covered end cap R60 / 4 x 120 Distance pieces
- DRILL THE L - timber FIRST then DRILL through the DD / CC TIMBERS

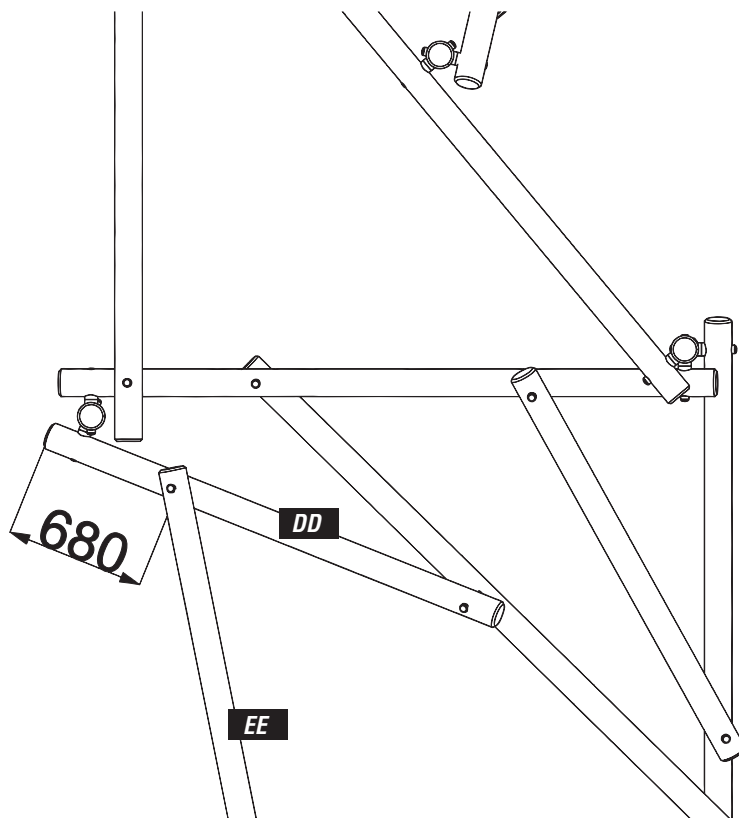
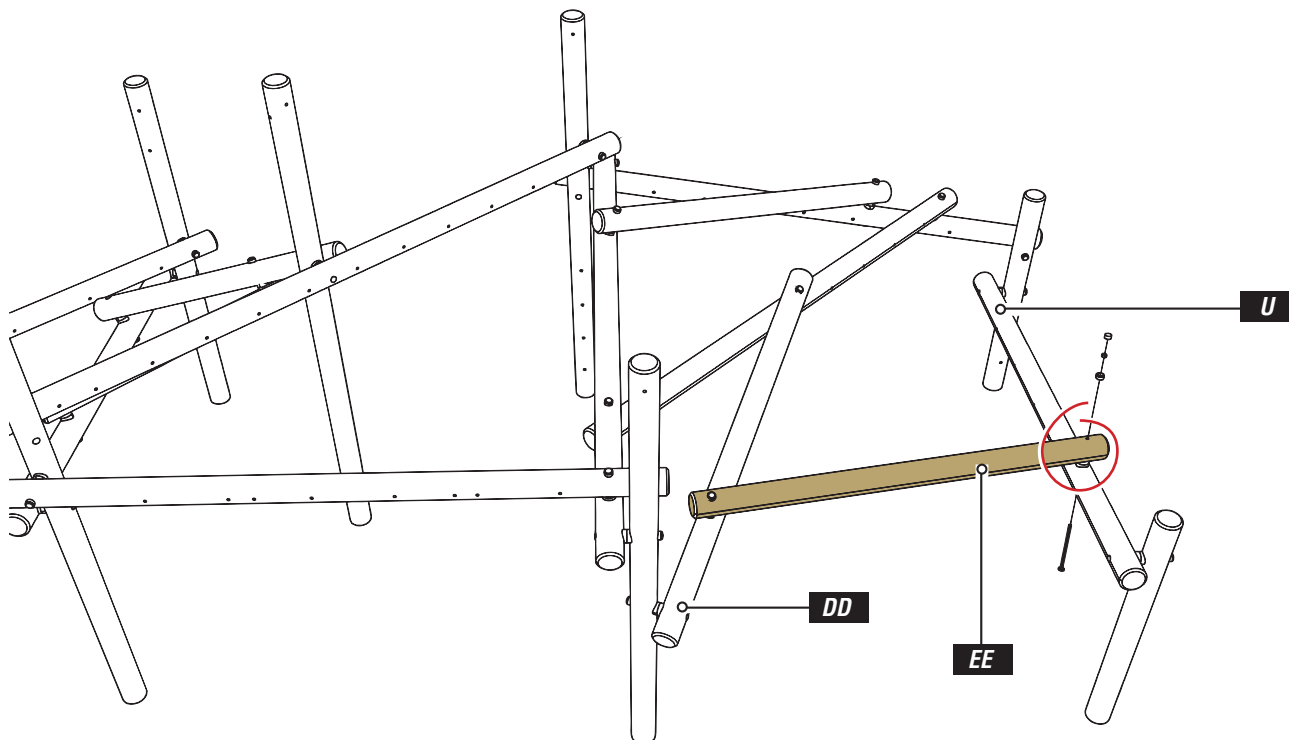


Installation Instructions

39

MARK / CLAMP / DRILL / ATTACH **EE**

The EE is pre-drilled ONE END ONLY - this end is bolted into the U (circled RED below)



NOTE:

- Use 1 x M12 x 290* CUP SQUARE BOLTS / 1 x 'NYLOCS' M12 / 1 x Covered end cap R60 / 2 x 120 Distance pieces - TO ATTACH EE to the U - timber

- DRILL the EE & EE timbers

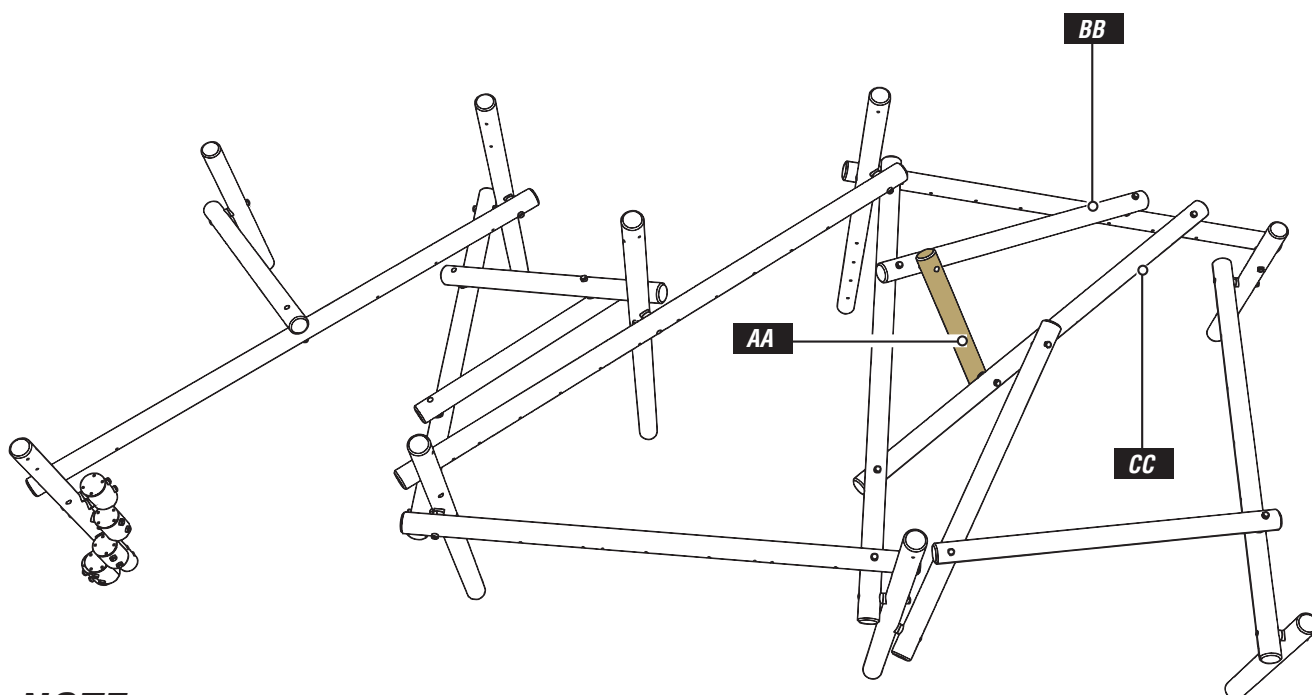
- Once drilled use 1 x M12 x 290* CUP SQUARE BOLTS / 1 x 'NYLOCS' M12 / 1 x Covered end cap R60 / 2 x 120 Distance pieces

Installation Instructions

40

MARK / CLAMP / DRILL / ATTACH **AA**

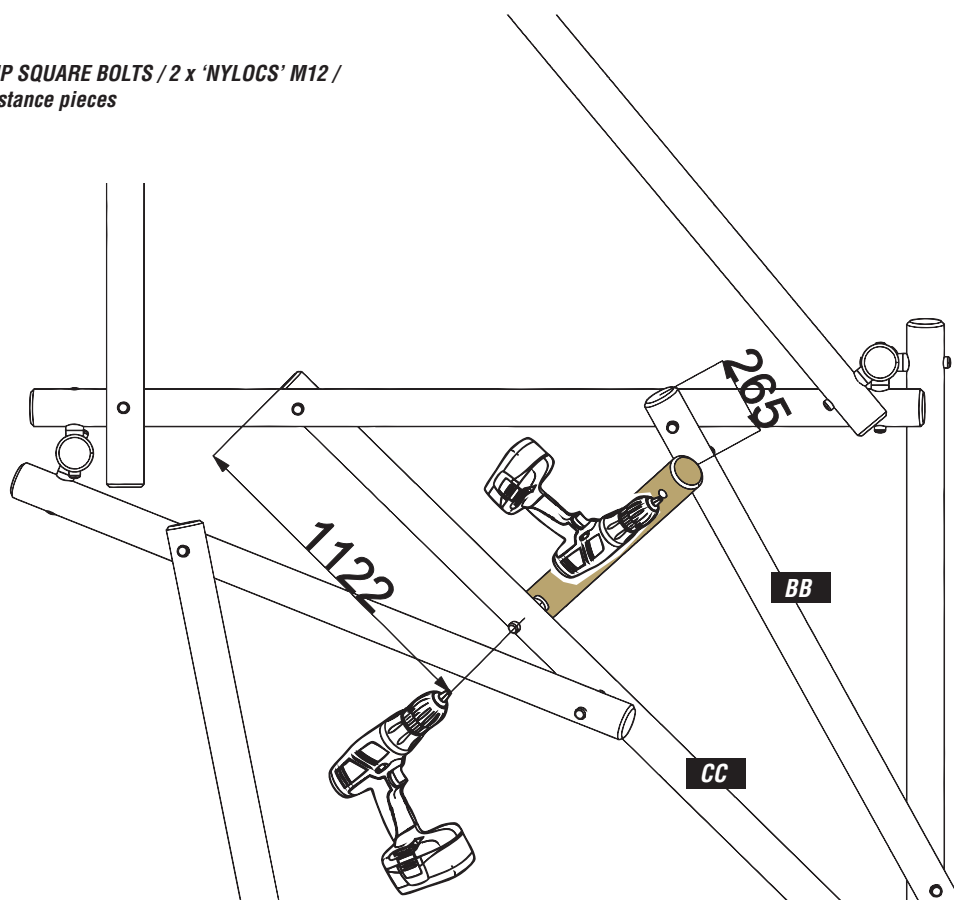
The AA is pre-drilled BOTH ENDS - use the PRE-DRILLED holes as a guide to drill the BB & CC timbers



NOTE:

- DRILL the BB / CC timbers

- Once drilled use 2 x M12 x 290* CUP SQUARE BOLTS / 2 x 'NYLOCS' M12 /
2 x Covered end cap R60 / 4 x 120 Distance pieces



Installation Instructions

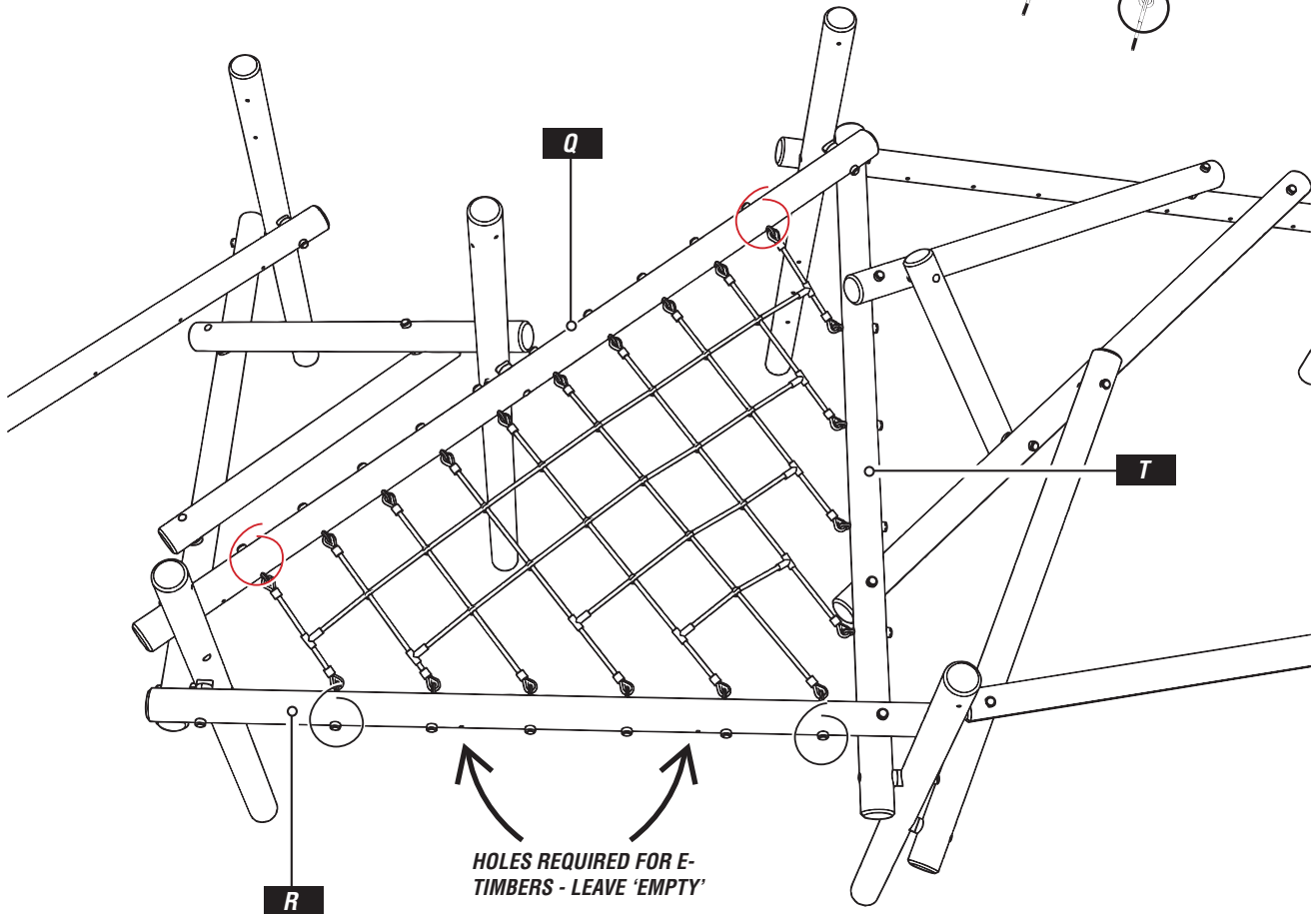
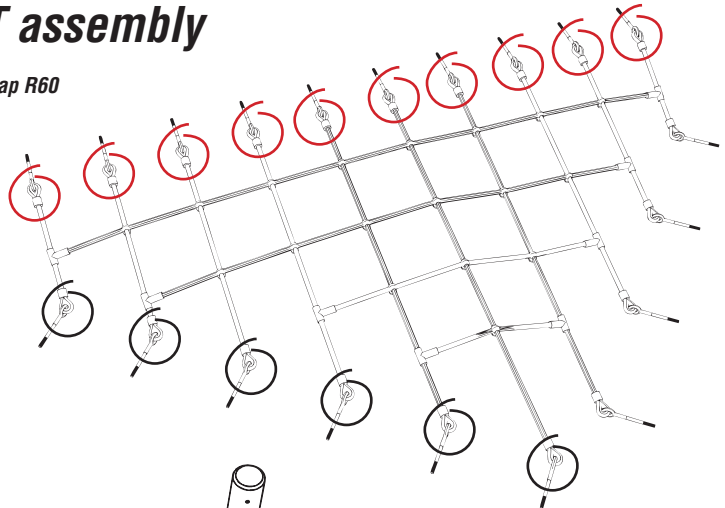
41

Attach the **CARGO NET** assembly

Using 20 x M10 'NYLOGS' and 20 x Covered end cap R60

NOTE:

- THE NET WILL ONLY FIT 'ONE'WAY
- The 10 EYEBOLTS (circled red) fit into the pre-drilled holes in the Q timber
- The 6 EYEBOLTS (circled black) fit into the pre-drilled holes in the R timber



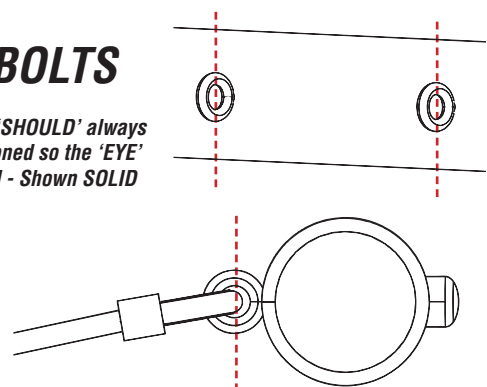
ENSURE THE NET IS ATTACHED AS SHOWN ABOVE:

- DO NOT TRY TO 'STRETCH' into different holes
- DO NOT DRILL ANY ADDITIONAL HOLES

The Net is a triangle - 10 EYEBOLTS side = INTO Q
 6 EYEBOLTS side = INTO R
 4 EYEBOLTS side = INTO T

EYEBOLTS

Eyebolts 'SHOULD' always be positioned so the 'EYE' is vertical - Shown SOLID BLACK



Installation Instructions

42

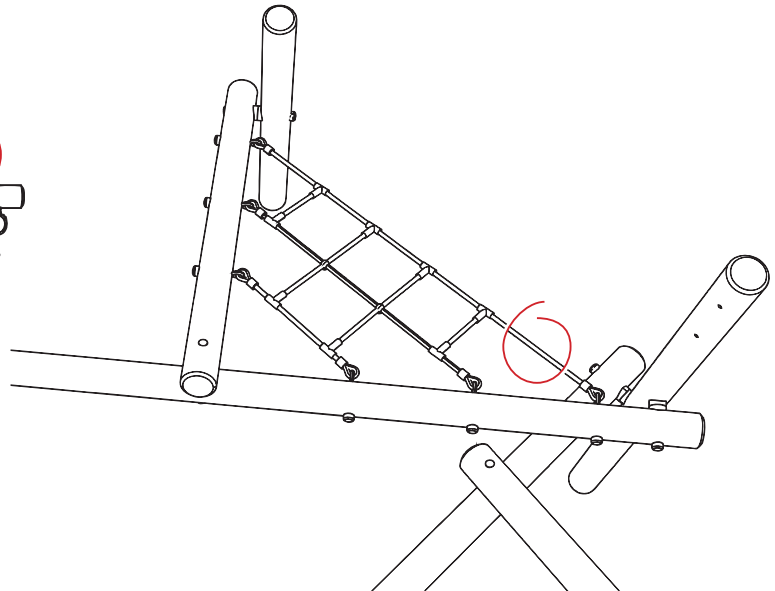
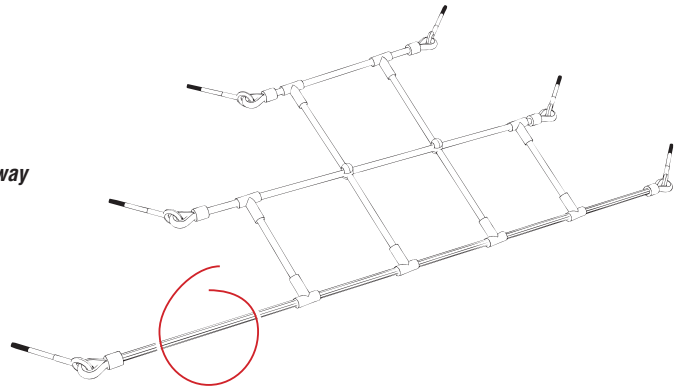
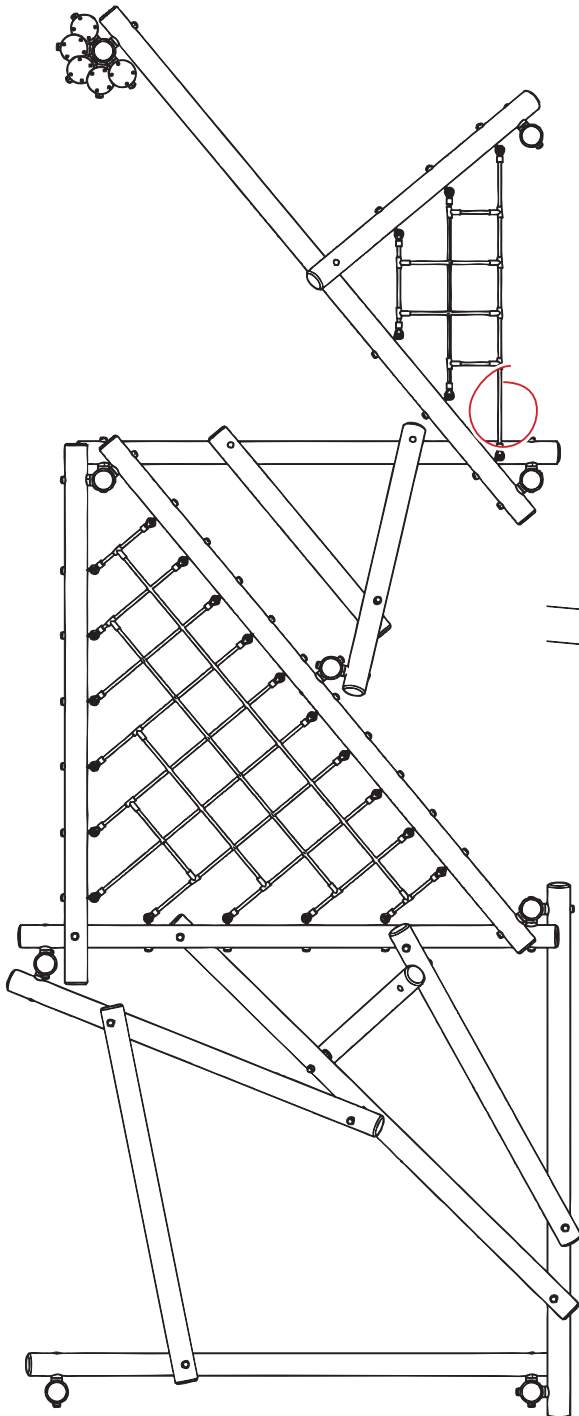
Attach the NET CLIMBER assembly

Using 6 x M10 'NYLOCS' and 6 x Covered end cap R60

NOTE:

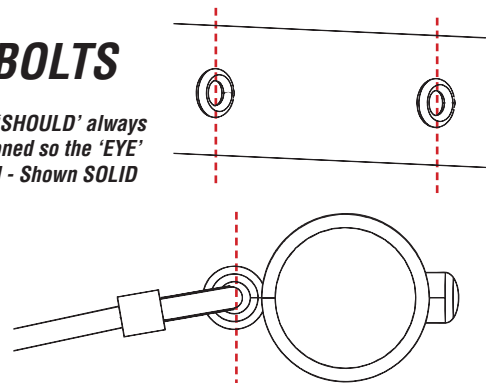
- THE NET WILL ONLY FIT 'ONE'WAY

- LONG(ER) GAP (circled red) in the bottom rope will highlight which way round the NET should be attached



EYEBOLTS

Eyebolts 'SHOULD' always be positioned so the 'EYE' is vertical - Shown SOLID BLACK



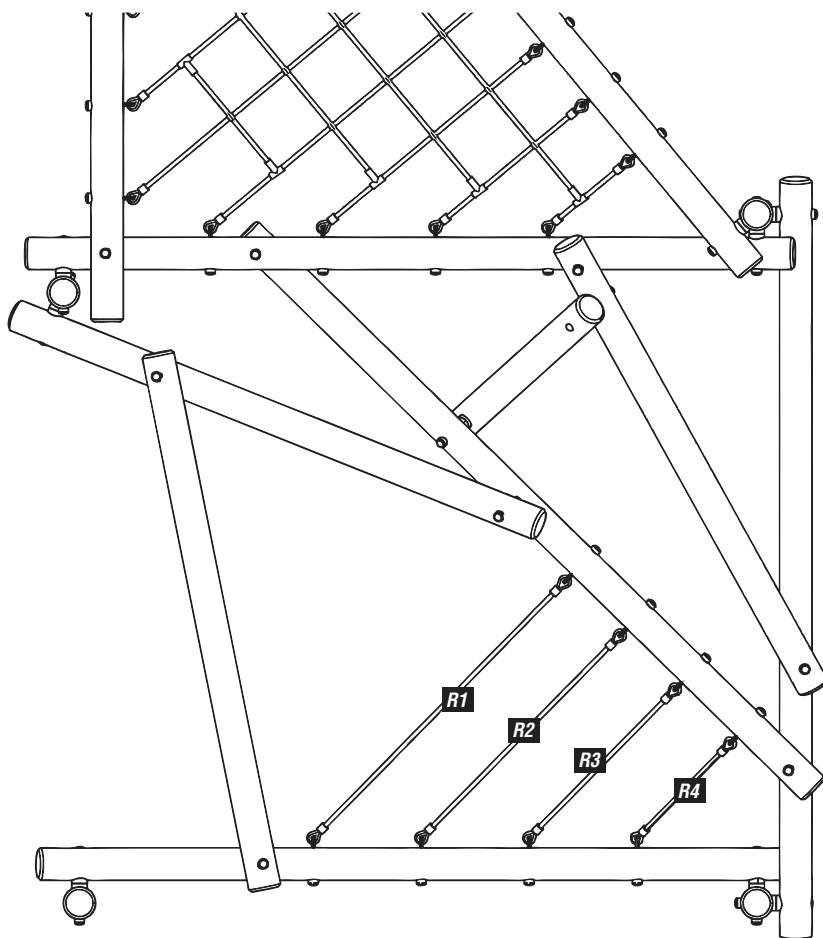
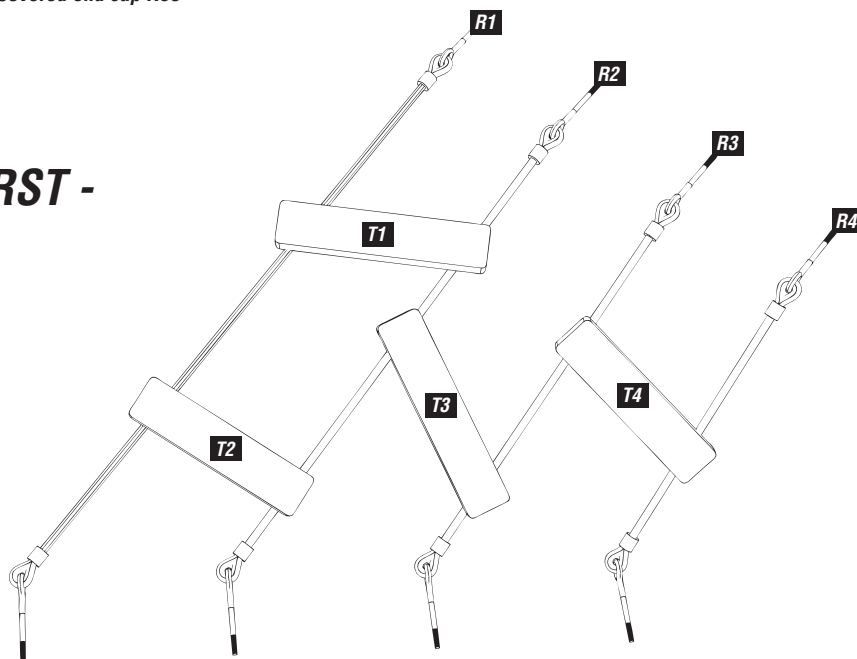
Installation Instructions

43

Attach the NET + BLOCKS (supplied loose)

Using 8 x M10 'NYLOCS' and 8 x Covered end cap R60

**Attach the ROPES FIRST -
R1 / R2 / R3 / R4**

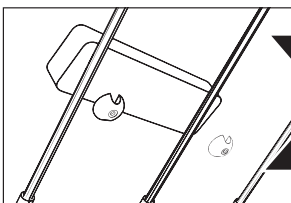
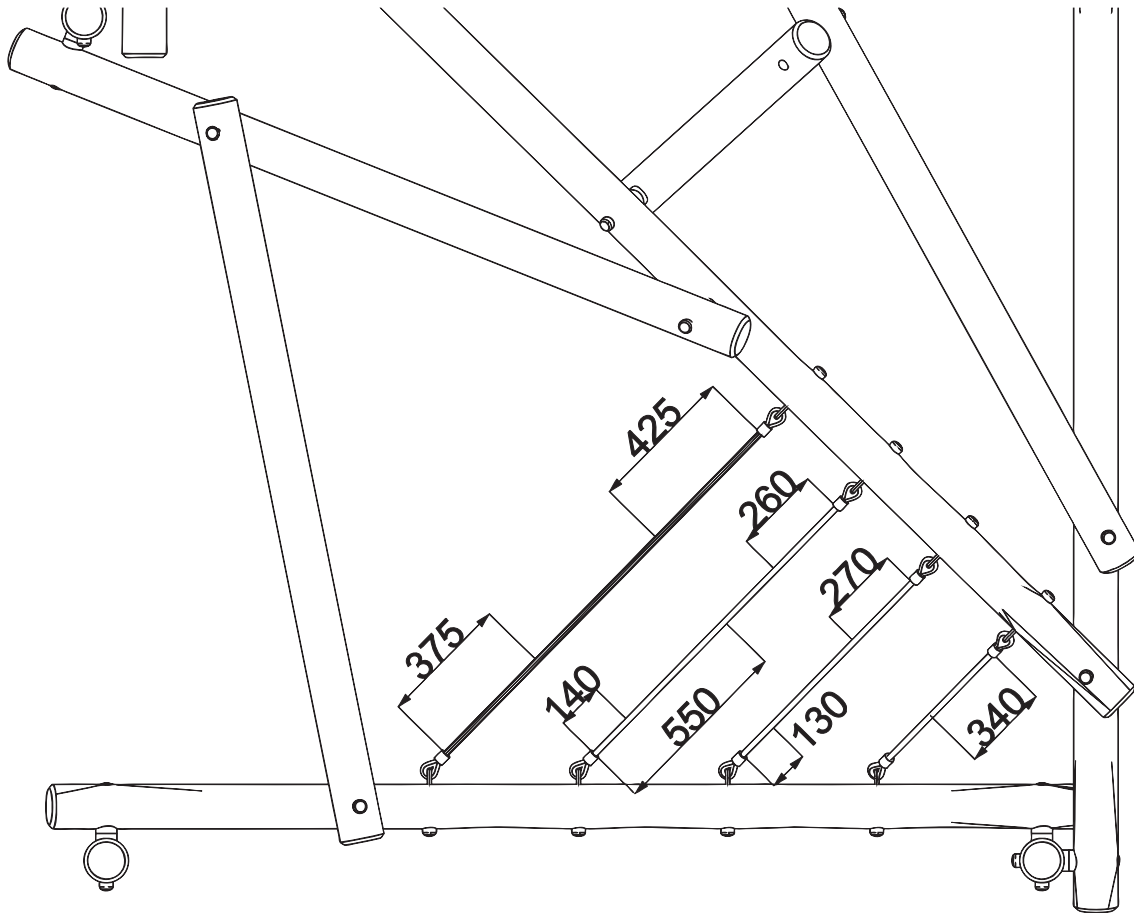


Installation + Assembly Instructions

44

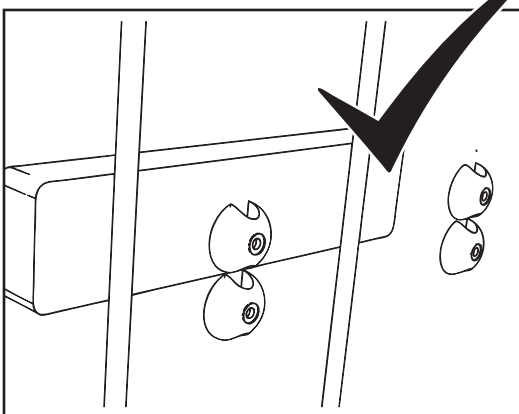
Mark the **BLOCK LOCATIONS** and **ATTACH THE BLOCKS**

Using **16 x POLYFIX HALVES** (supplied with screws)



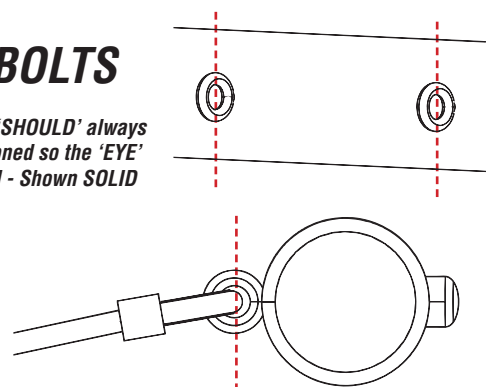
X

**SCREW FROM
'UNDERNEATH'**



EYEBOLTS

Eyebolts 'SHOULD' always be positioned so the 'EYE' is vertical - Shown **SOLID BLACK**



Installation Instructions

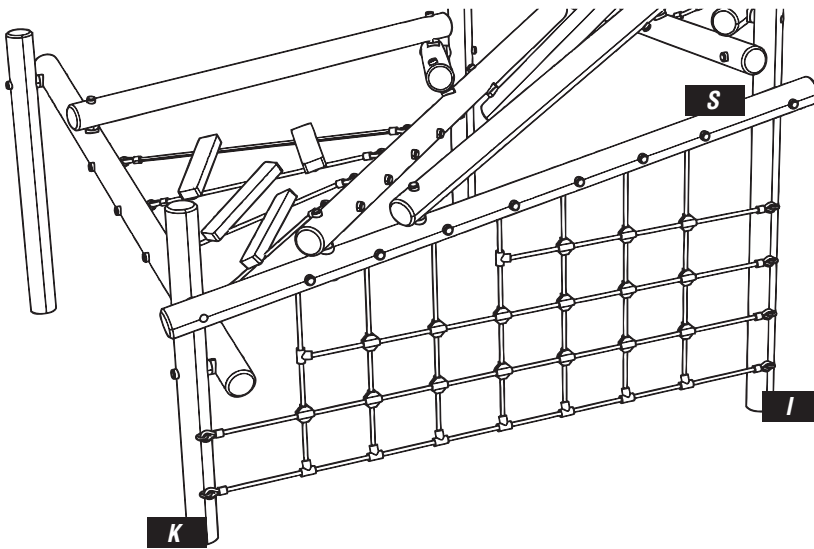
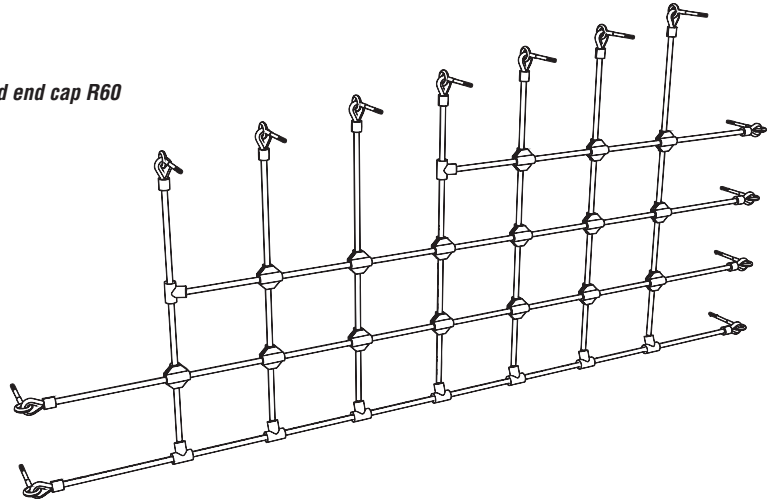
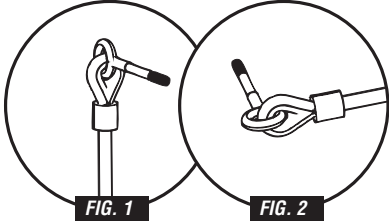
45

Attach NET WALL

Using 13 x M10 'NYLOGS' and 13 x Covered end cap R60

NOTE:

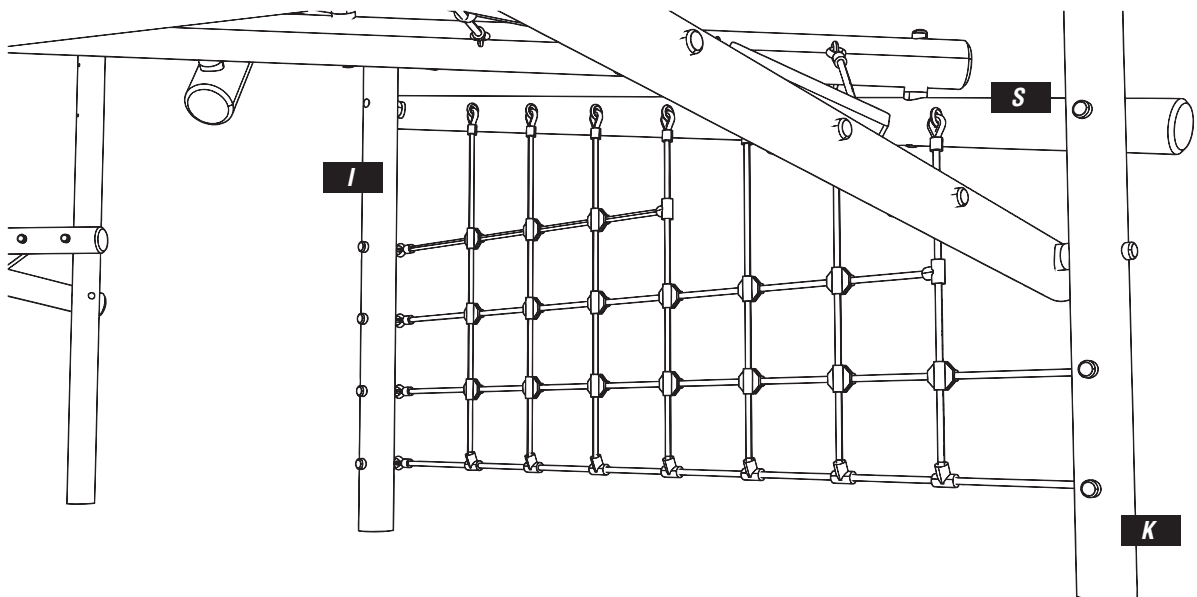
- EYEBOLTS ALONG 'TOP' - VERTICAL - FIG. 1
- EYEBOLTS ALONG SIDES - HORIZONTAL - FIG. 2



ENSURE:

Eyebolts are ATTACHED through the CORRECT SIDE of the timbers

- ALONG THE SIDES - BOLT THROUGH THE OUTSIDE
- ALONG THE TOP - BOLT THROUGH THE 'INSIDE'

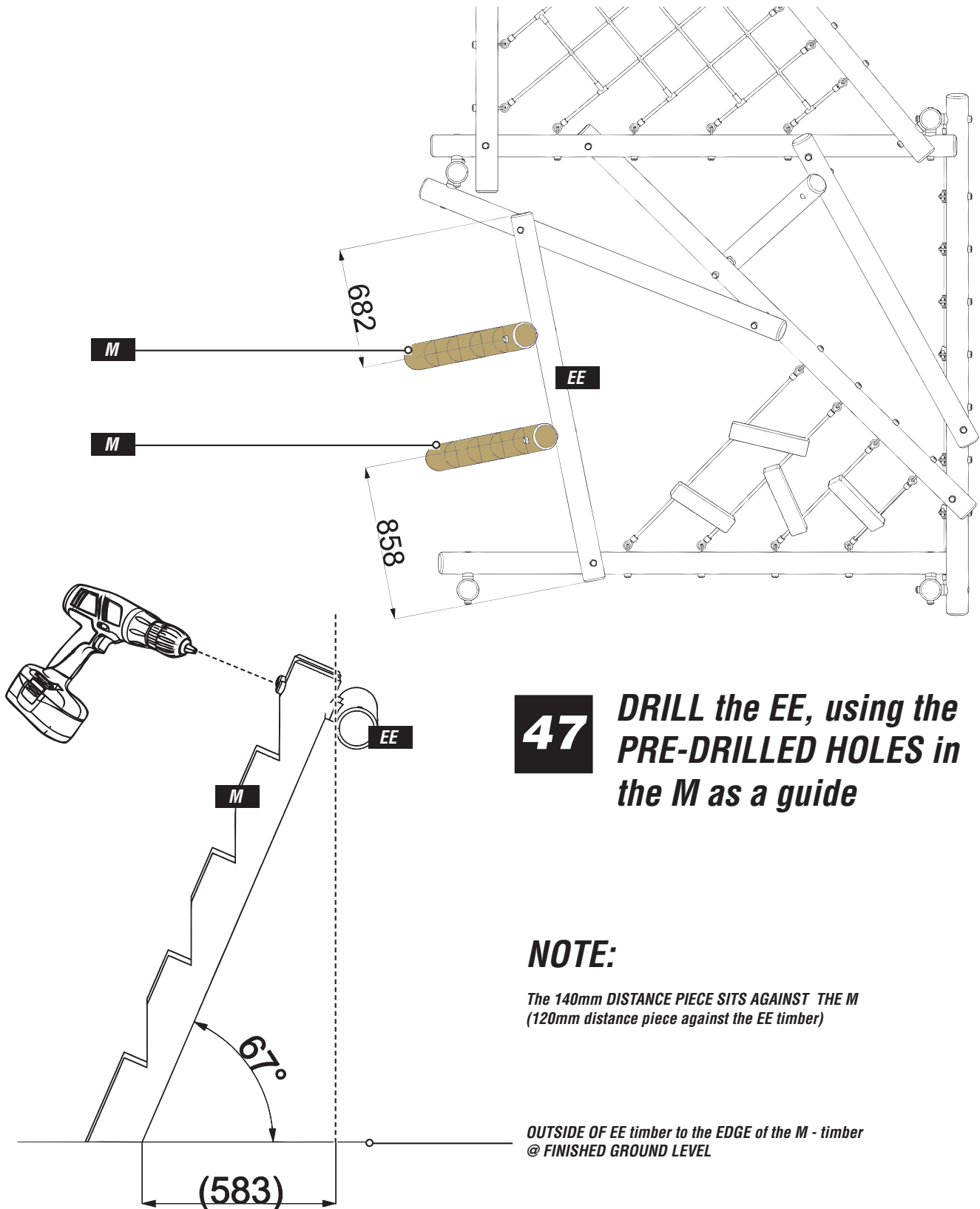


Installation Instructions

46

MARK / CLAMP / DRILL / ATTACH **M**

Once drilled attach using 2 x M12 x 320* CUP SQUARE BOLTS / 2 x 'NYLOCS' M12 / 2 x Covered end cap R60 / 2 x 120 Distance piece / 2 x 140 Distance piece



47

DRILL the EE, using the PRE-DRILLED HOLES in the M as a guide

NOTE:

The 140mm DISTANCE PIECE SITS AGAINST THE M (120mm distance piece against the EE timber)

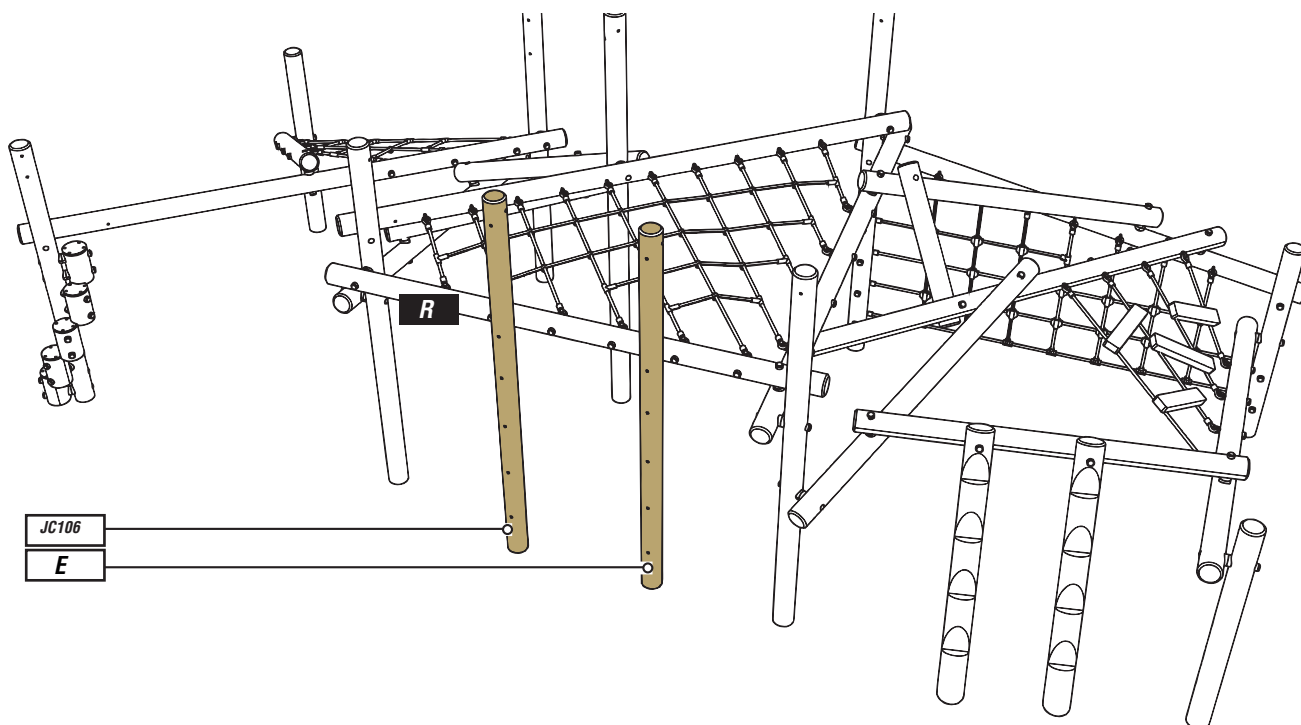
OUTSIDE OF EE timber to the EDGE of the M - timber @ FINISHED GROUND LEVEL

Installation Instructions

47

Position E - timbers

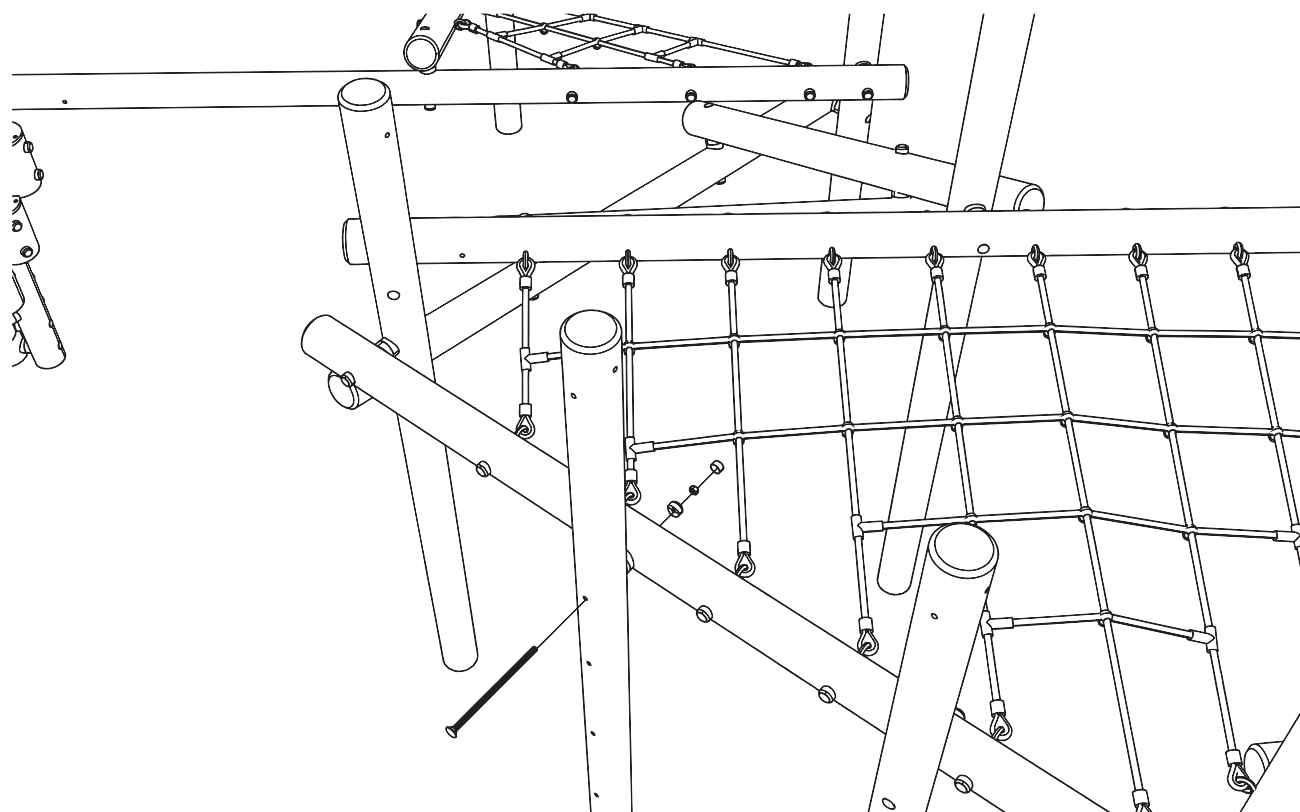
These are positioned AGAINST timber R



48

Attach E - timbers to timber R

Using 2 x M12 x 290* CUP SQUARE BOLTS / 2 x 'NYLOCS' M12 / 2 x Covered end cap R60 / 4 x 120 Distance pieces

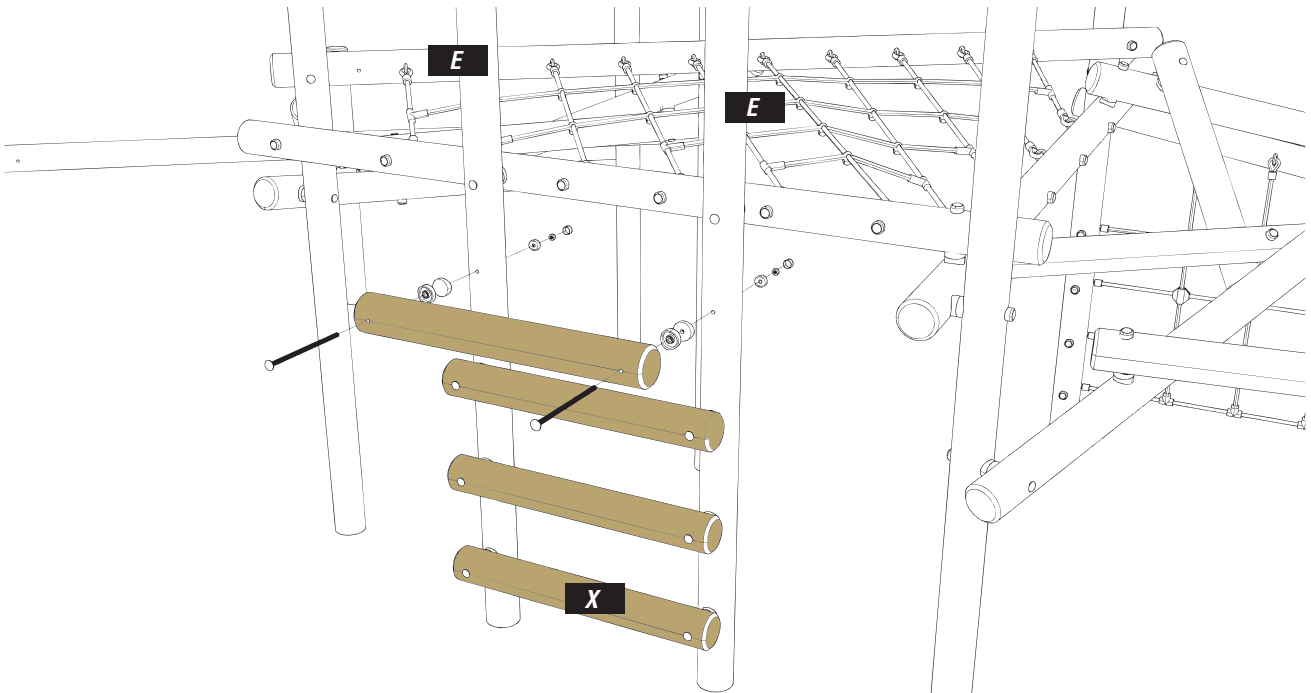


Installation Instructions

49

Attach X timbers to E - timbers

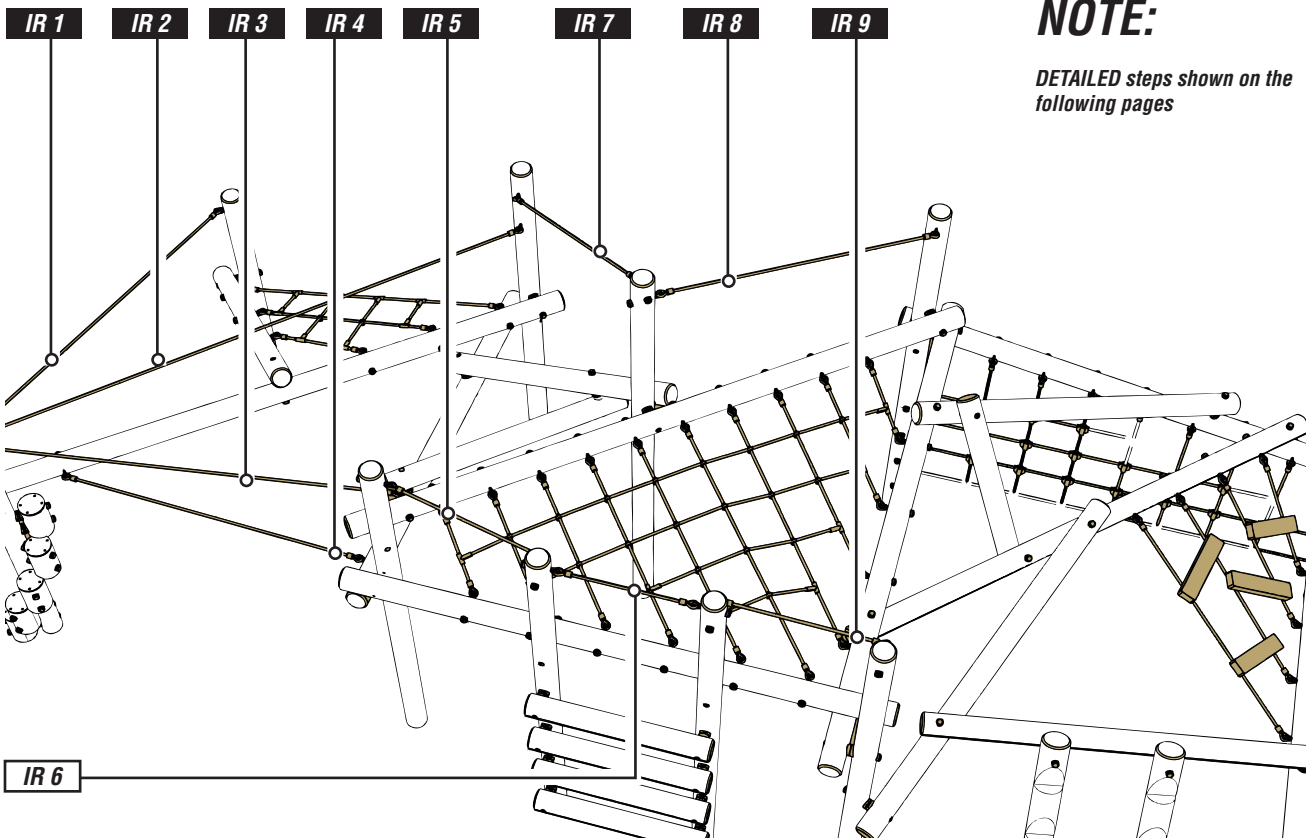
Using 8 x M12 x 290* CUP SQUARE BOLTS / 8 x 'NYLOCS' M12 / 8 x Covered end cap R60 / 16 x 120 Distance pieces



50

Attach the IR ROPES (individual ropes)

Using 18 x M10 'NYLOCS' and 18 x Covered end cap R60



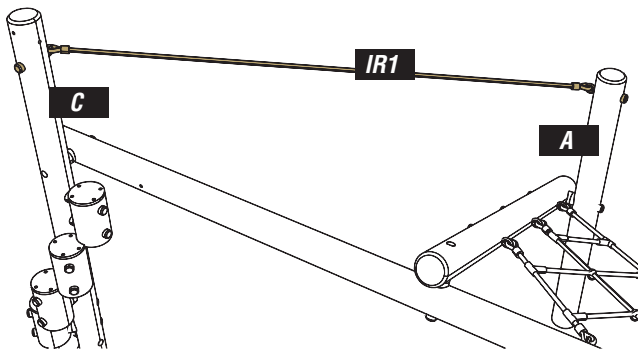
NOTE:

DETAILED steps shown on the following pages

Installation Instructions

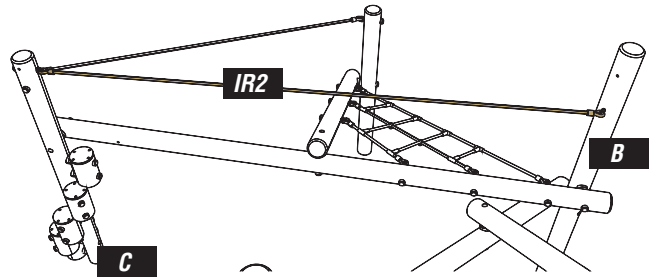
Attach ROPE IR1

3rd HOLE down on C - timber / 1st HOLE on A - timber



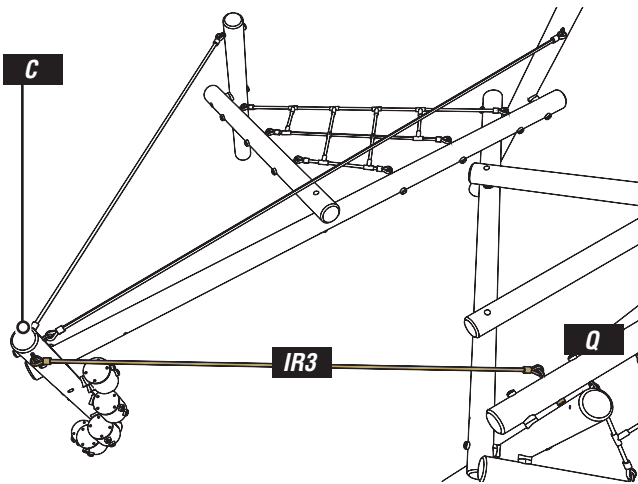
Attach ROPE IR2

2nd HOLE down on C - timber / 2nd HOLE down on B - timber



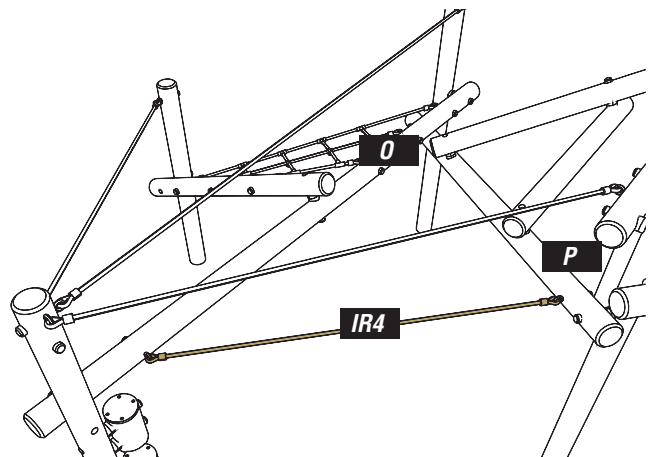
Attach ROPE IR3

top HOLE on C - timber / 2nd HOLE on Q - timber



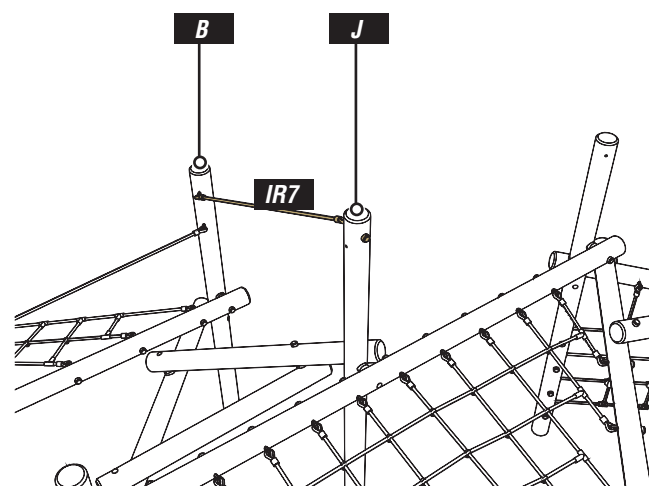
Attach ROPE IR4

2nd HOLE on O - timber / 2nd HOLE on P - timber



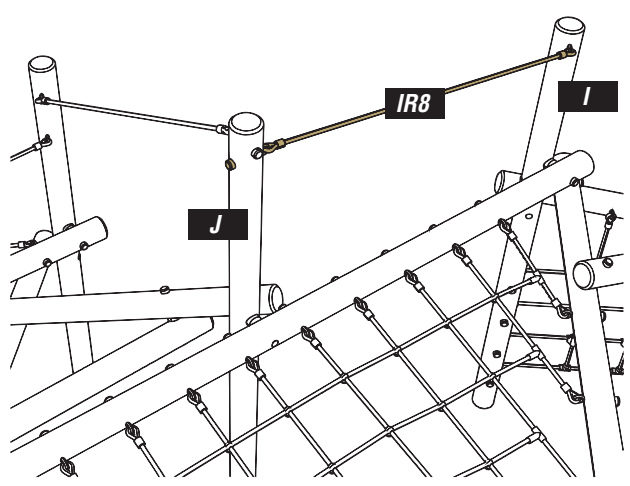
Attach ROPE IR7

top HOLE on B - timber / top HOLE on J - timber



Attach ROPE IR8

2nd HOLE on J - timber / top HOLE I - timber



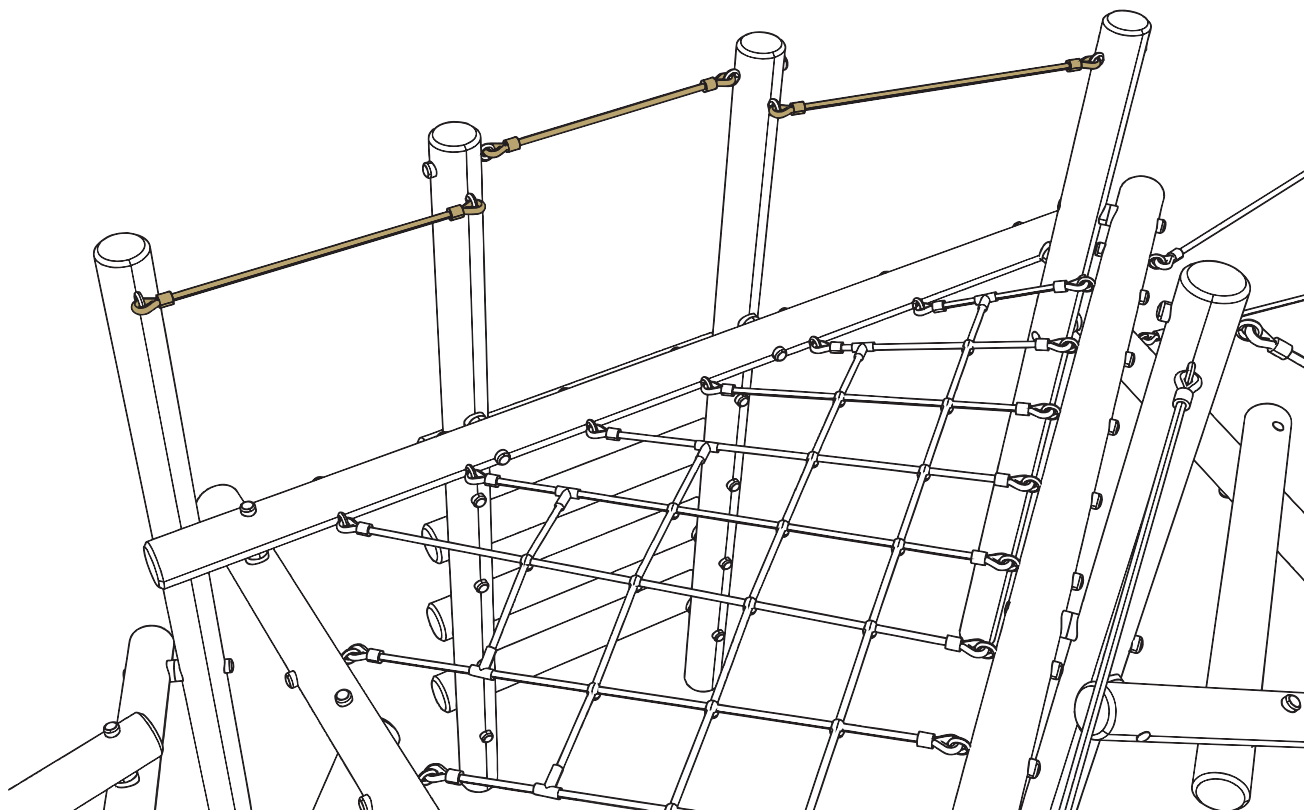
Installation Instructions

Attach remaining **INDIVIDUAL ROPE**

IR5

IR6

IR9

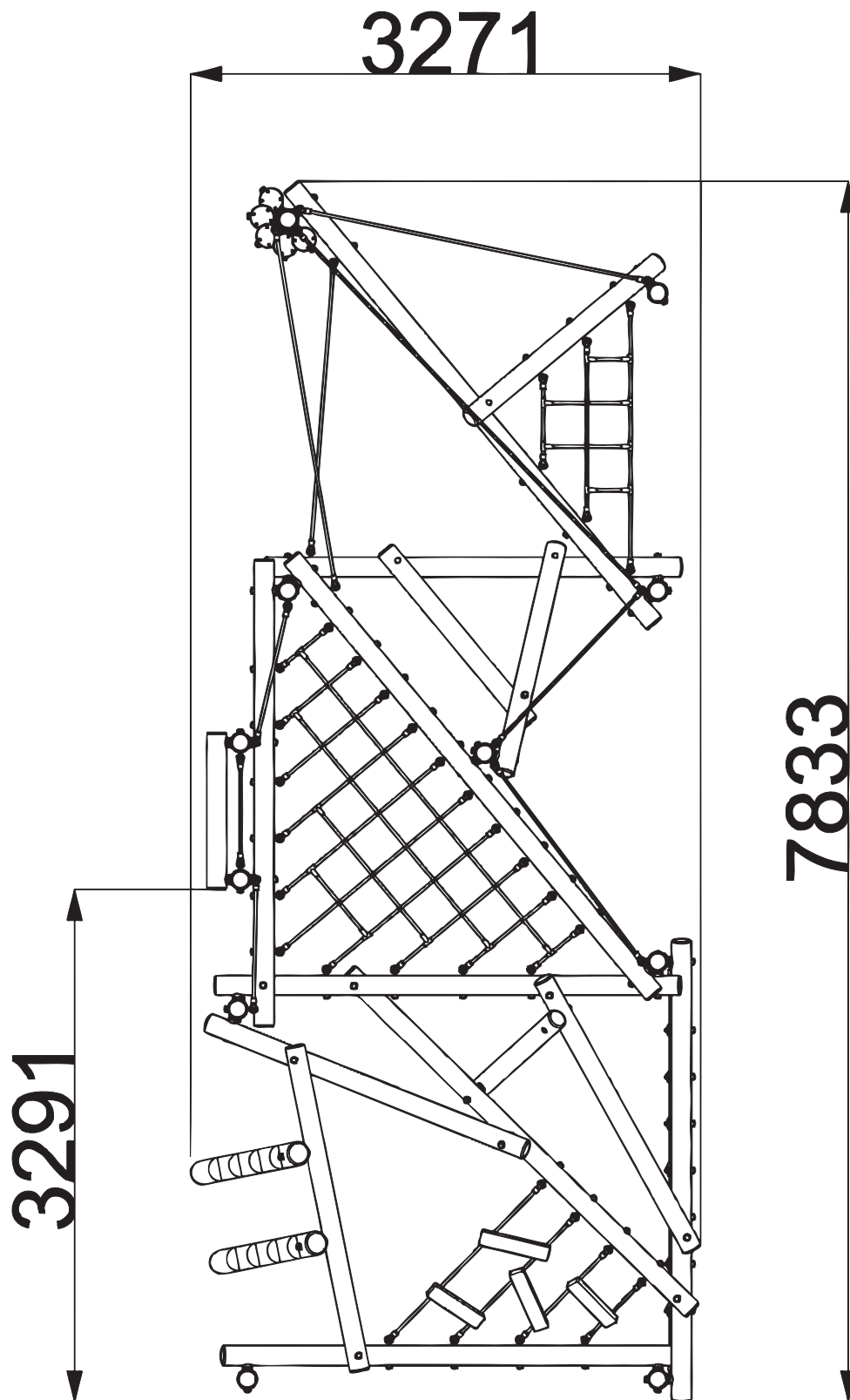


INSTALLATION COMPLETE - Please check

- a** All **COVERED ENDS** have been capped (insert any missing caps)
- b** Ensure all **BOLTS** are tight - tighten if / where required
- c** Posts are securely attached to each other (check the distance pieces are positioned correctly)
- d** **MOVEMENT** in the upright posts - ensure all posts are securely concreted
- e** **SPLITS / CRACKS IN TIMBERS** - check for any splits / cracks in timbers (they should not exceed 10mm)

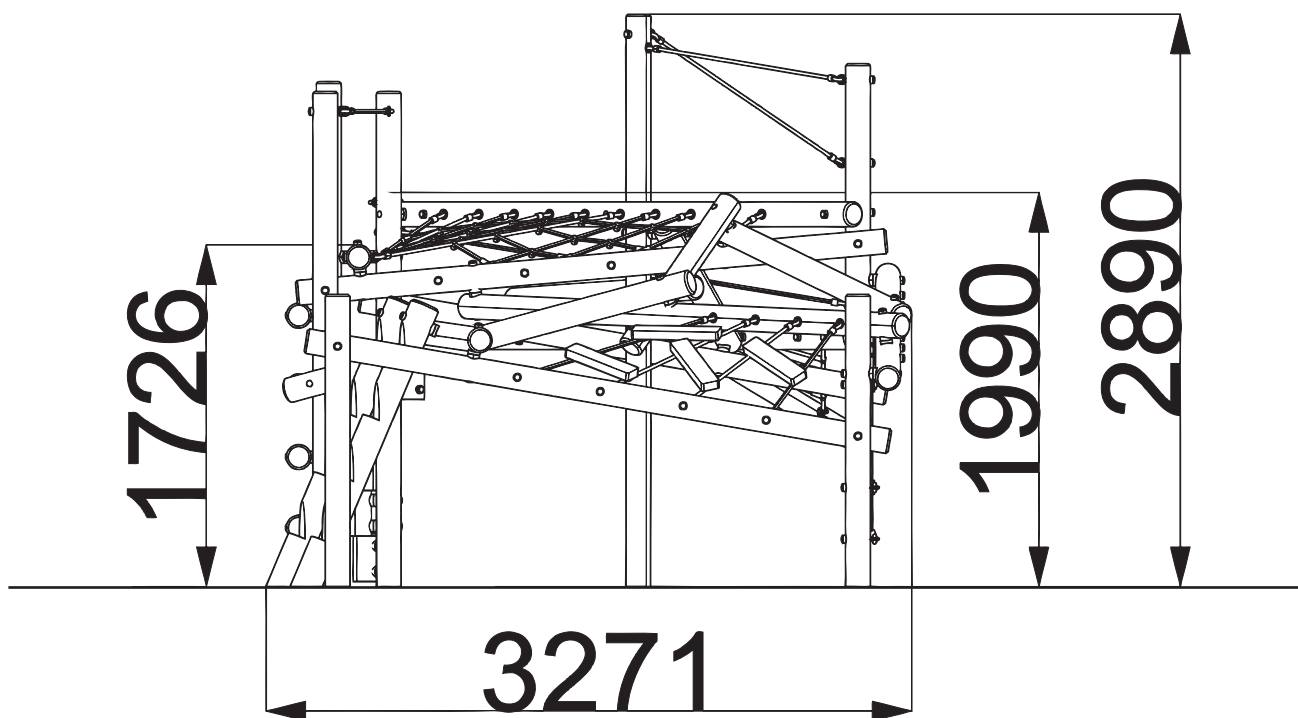
Additional Drawings

PLAN VIEW

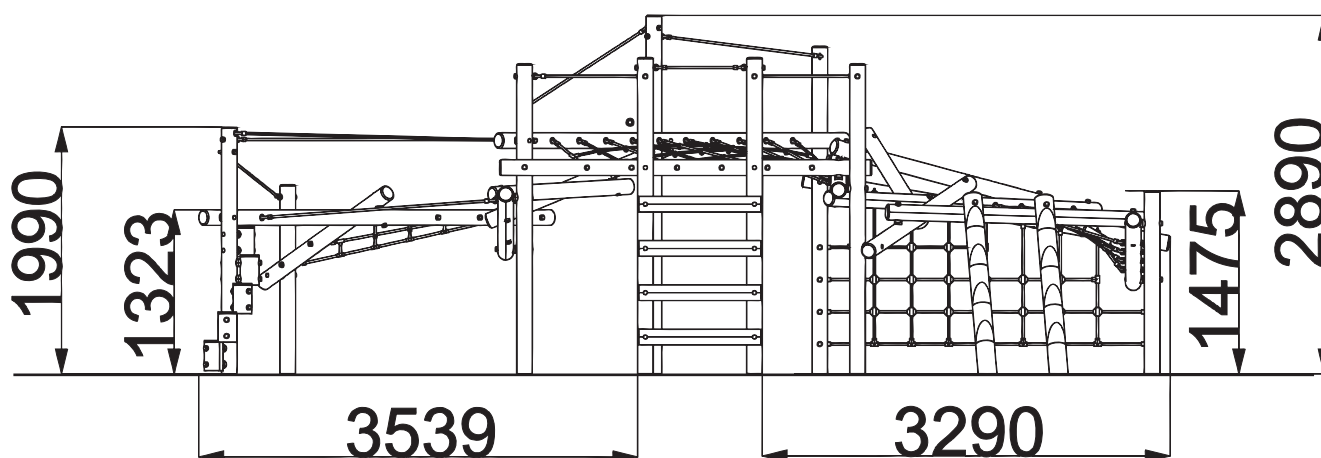


Additional Drawings

SIDE VIEW



FRONT VIEW



Notes:

This space can be used to make any notes relating to installation / assembly of the JUNGLE CLIMBER COMBI (WITHOUT SLIDE) - pass this sheet back to PRODUCT DEVELOPMENT to review the notes
