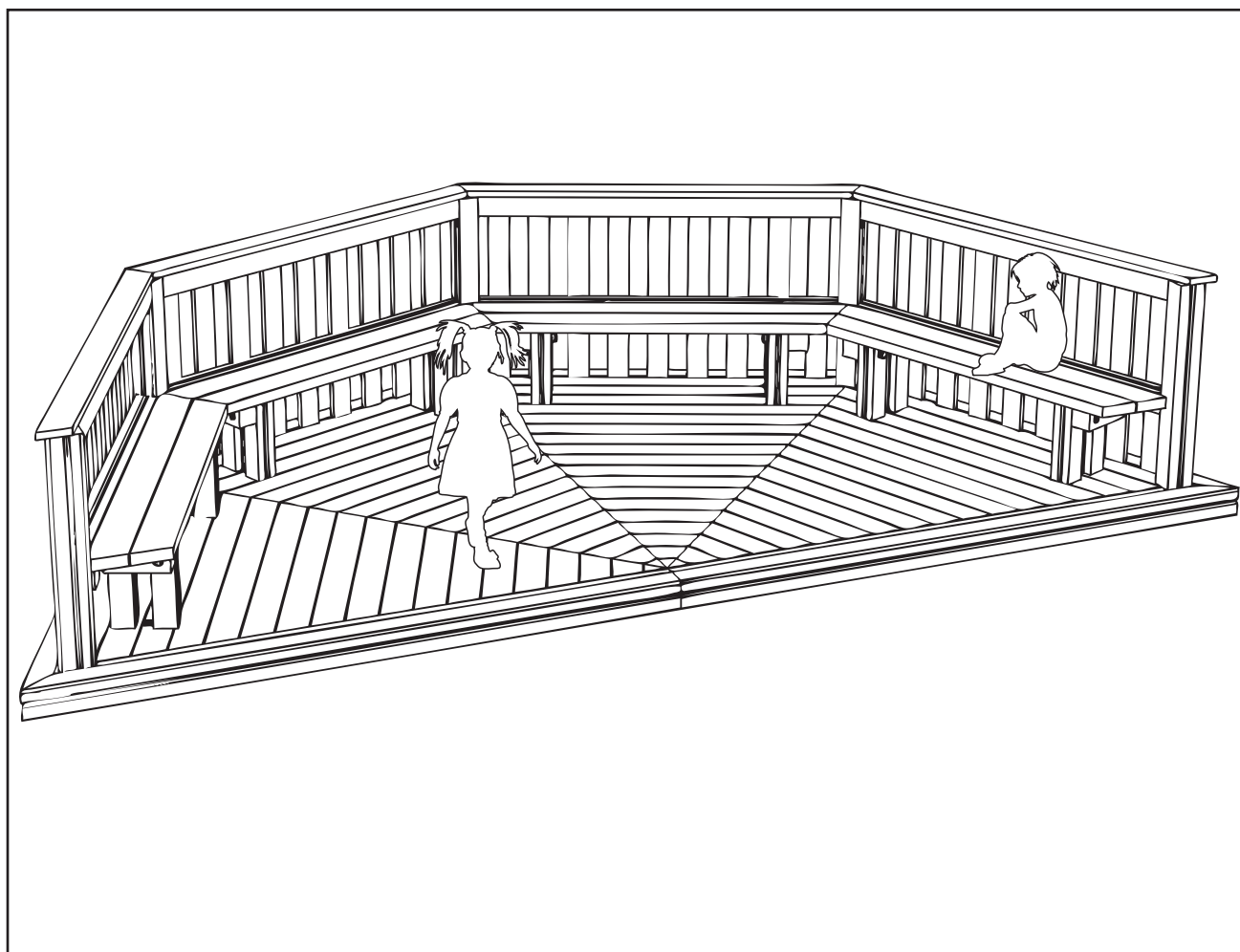


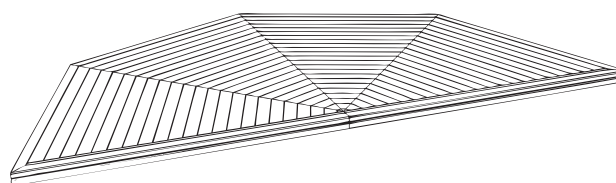
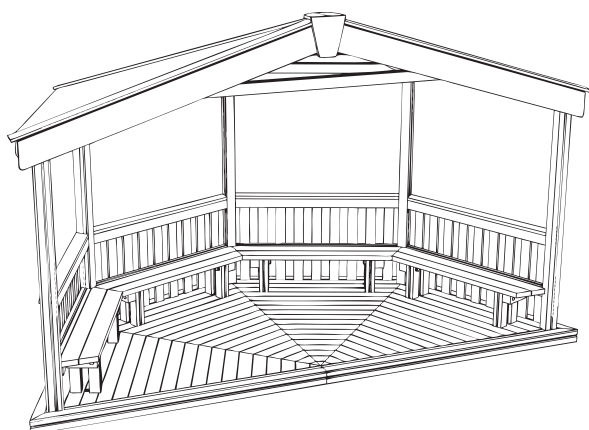
5m HALF OCTAGONAL SHELTER

Assembly Instructions

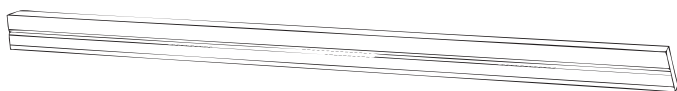
creative
play



NO ROOF - Includes floor, internal seating (x 4) and standard sides (x4)



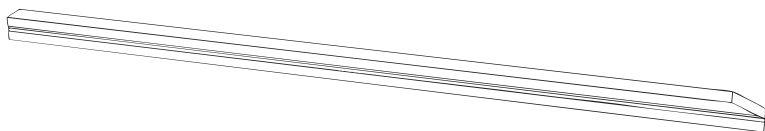
PARTS required



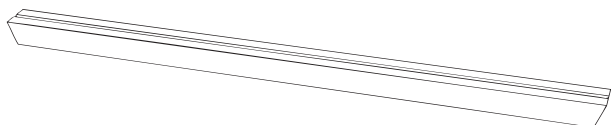
T1 x5 (120x90)



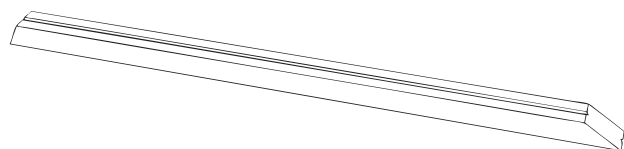
T2A x3 (90x90)



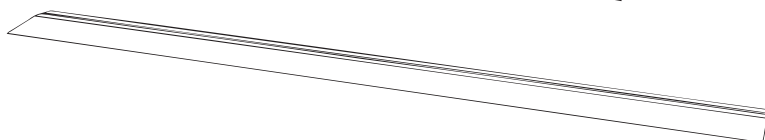
T2B x2 (90x90)



T3A x2 (120x90)



T3B x2 (120x90)

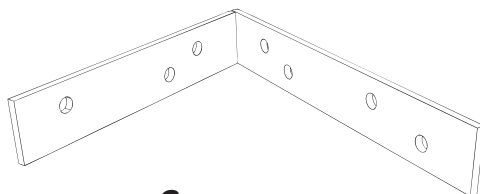


T3C x2 (120x90)

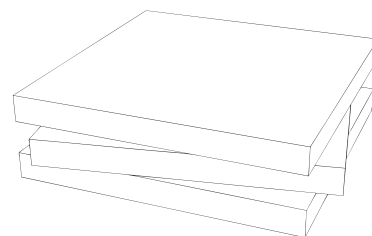
T4, T5A & T5B not required



x28 (angle cleats/brackets)
4 per fence element, 3 per seat

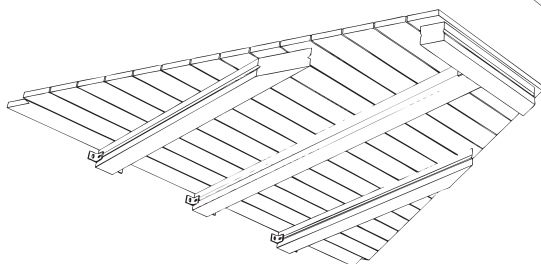
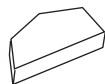


x8 (67.5 degree
angle bracket)

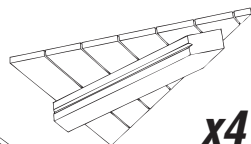


x7 (concrete slabs)

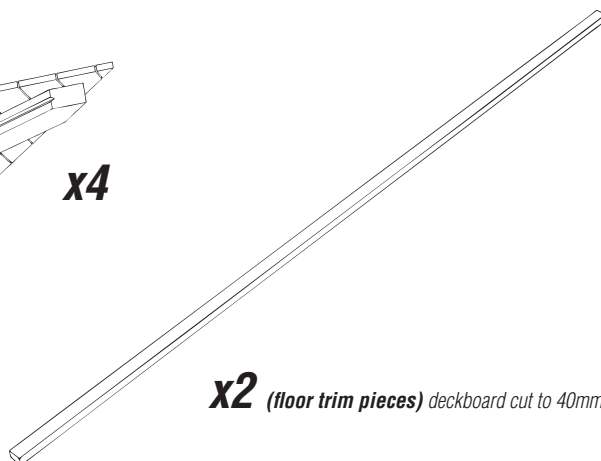
x1 (octagonal floor
centre cap - deck board)



x4

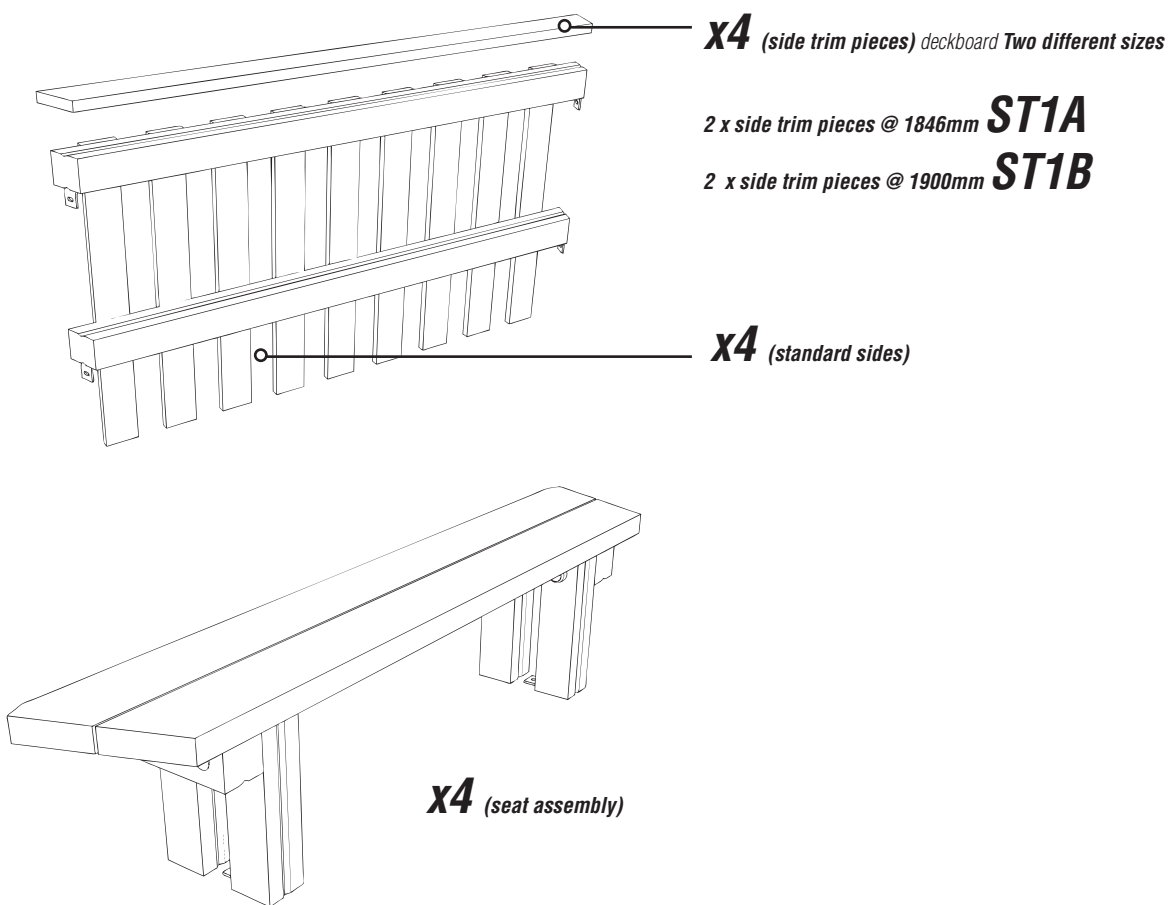


x4



x2 (floor trim pieces) deckboard cut to 40mm

PARTS required continued...



x26 (120mm brass screws)
To be used for roof assembly & floor assembly
to main support beams



x80 (80mm brass screws)
To be used for floor assembly, 67.5 degree
angle brackets & fascia boards

Additional 16 required for seat slats if
not pre-assembled

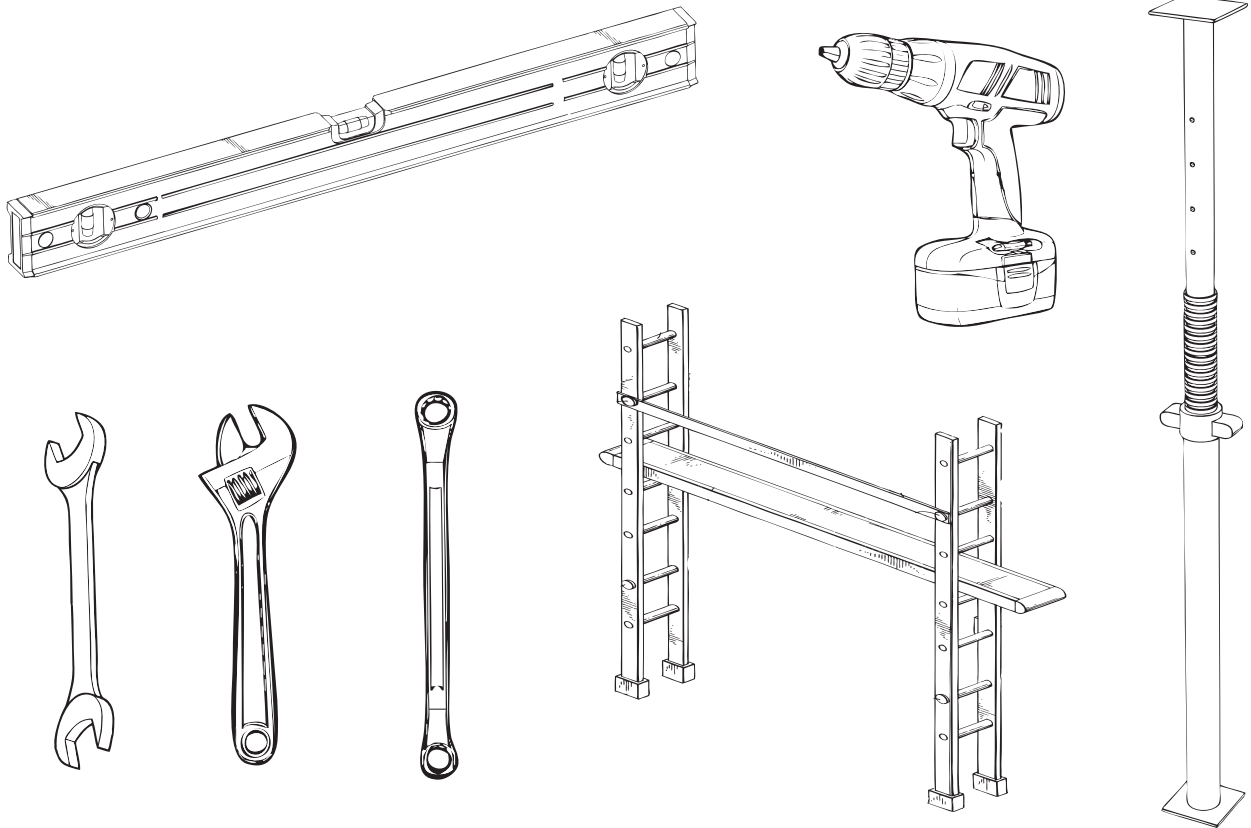


x48 (40mm brass screws)
To be used for standard sides and seating



x450 approx. (decking screws)
To be used for floor assembly (deck boards) to main support
beams

TOOLS required



NOTES:

NO ROOF version is available without seating

OMIT SEATING IF NOT REQUIRED/ORDERED

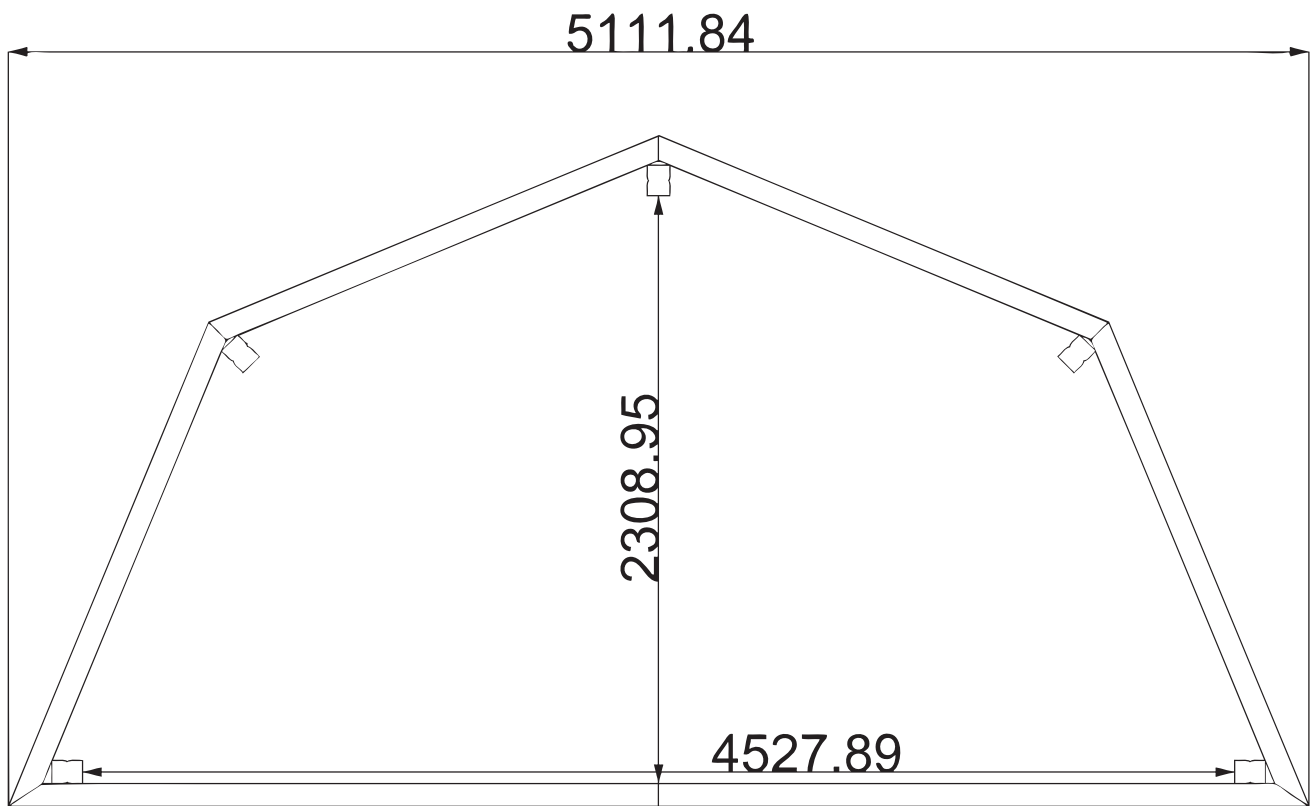
Additional dimensions are shown on the back pages of this pack

Overall dimensions & additional shown for installation purposes

PLEASE NOTE some images shown are of the 6m NO ROOF and have been used for visual purposes only

Any measurements however are specific to the 5m NO ROOF

Foundation Details

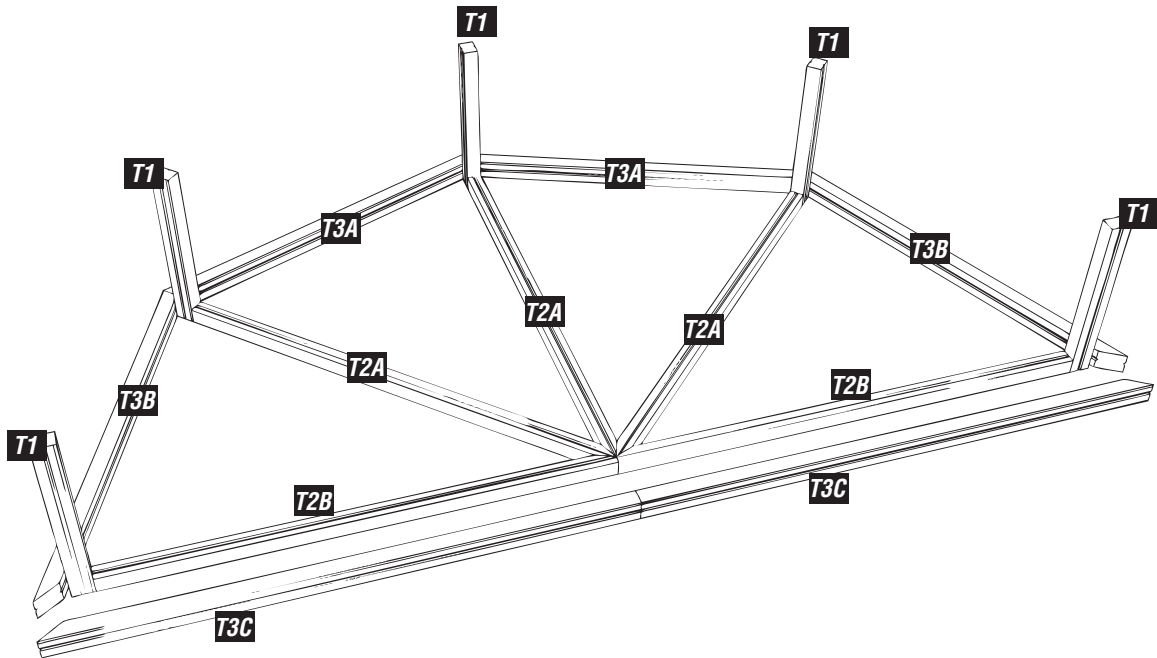


Assembly Instructions

1

Construct the main beam assembly BEFORE adding floor and side assemblies

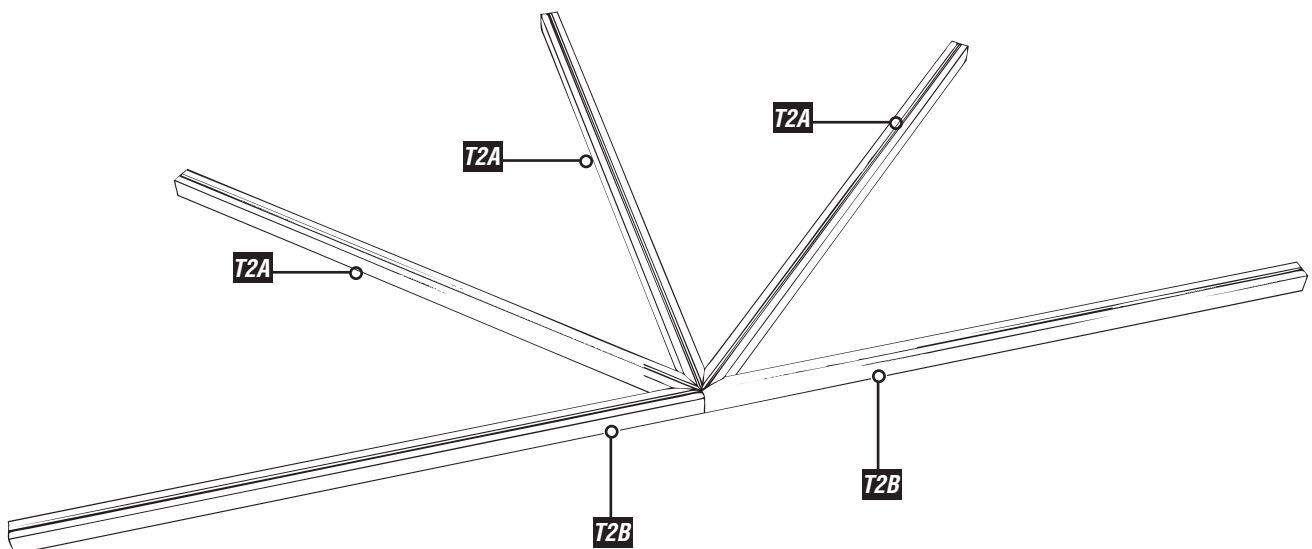
steps **1** to **5**



2

Position the T2 timbers

All grooved faces will be UP (use a concrete slab in the centre if required)

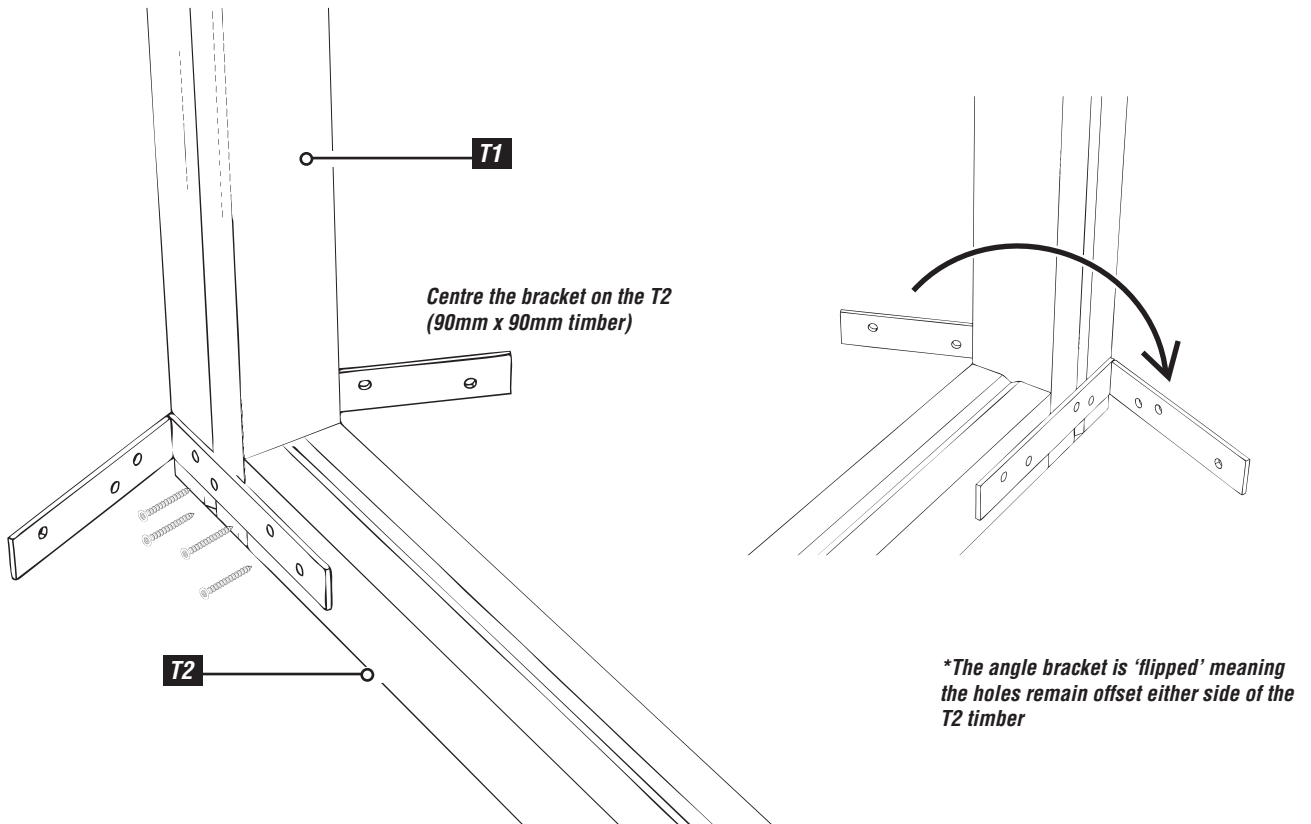


Assembly Instructions

3

Position the T1 timbers at the end of the T2 timbers

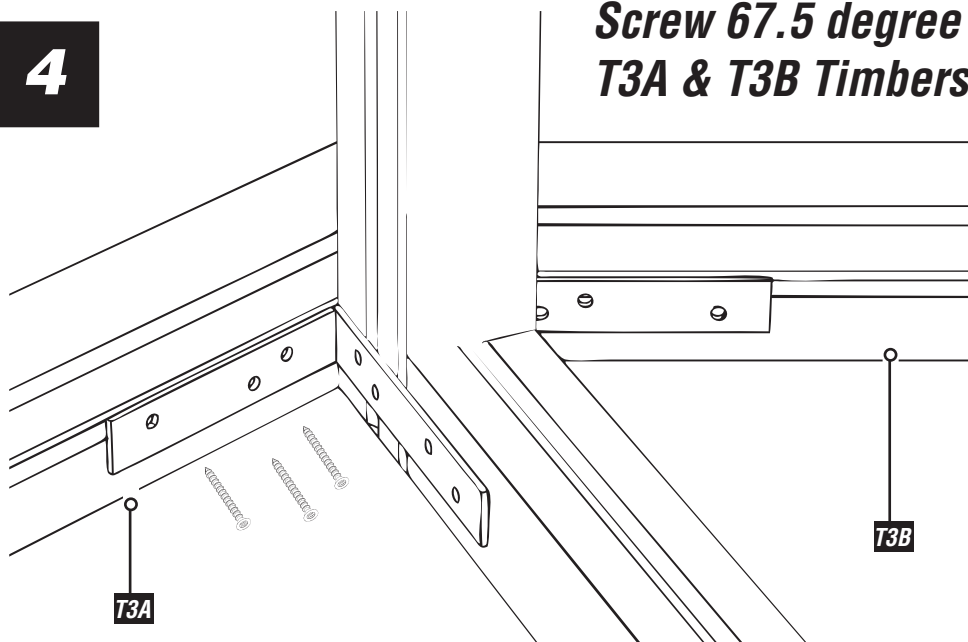
Using 67.5 degree angle brackets & 80mm brass screws



4

Screw 67.5 degree angle bracket to T3A & T3B Timbers

Using 80mm brass screws

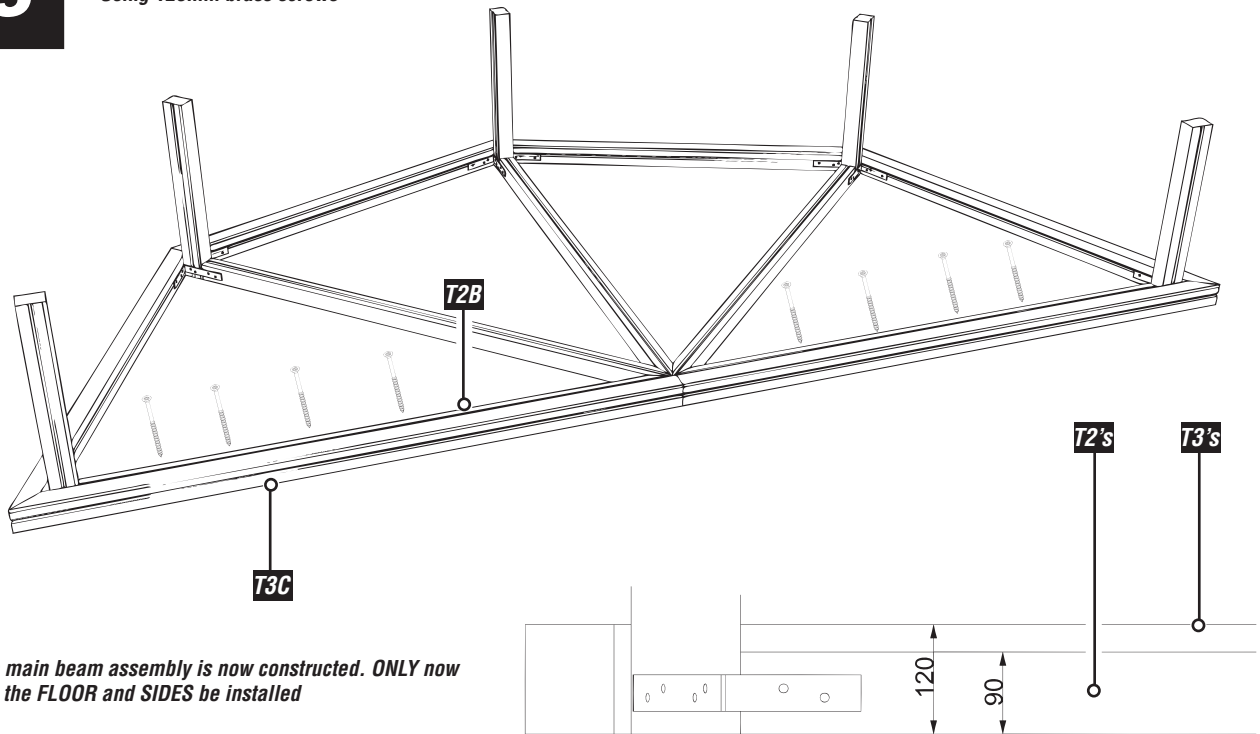


Assembly Instructions

5

Screw the T2B timbers to the T3C timbers

Using 120mm brass screws

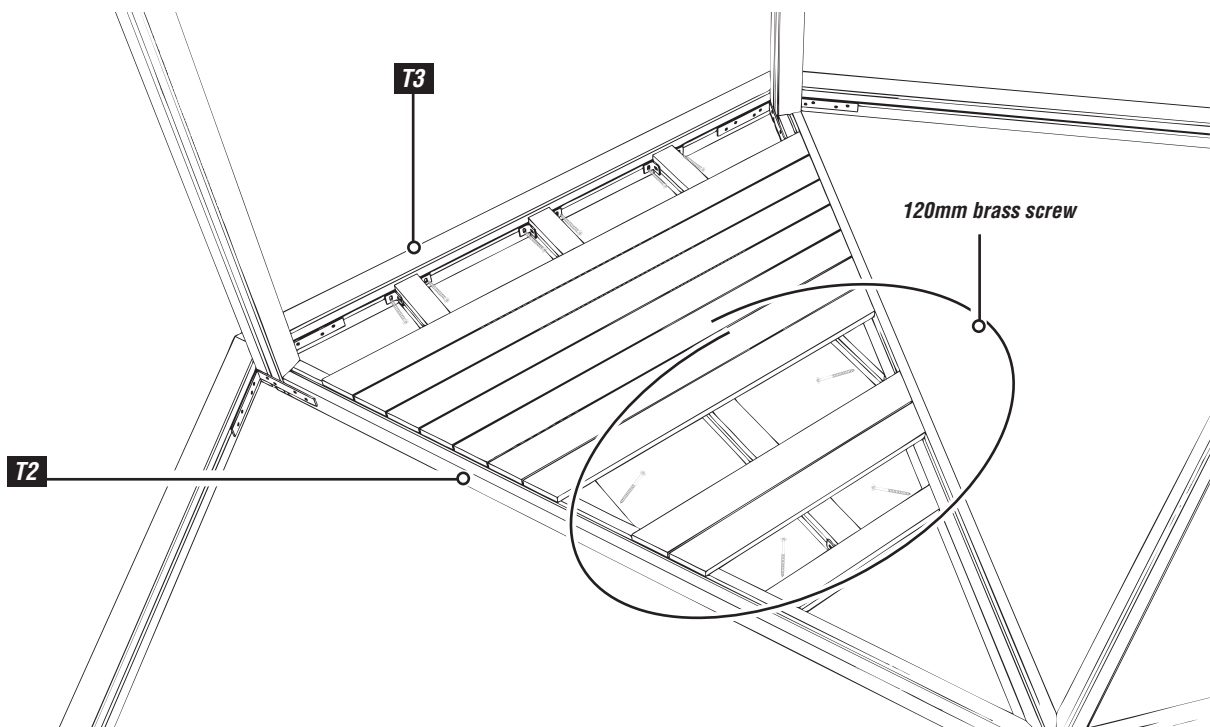


The main beam assembly is now constructed. ONLY now can the FLOOR and SIDES be installed

6

Attach the floor assembly to T2 & T3 timbers

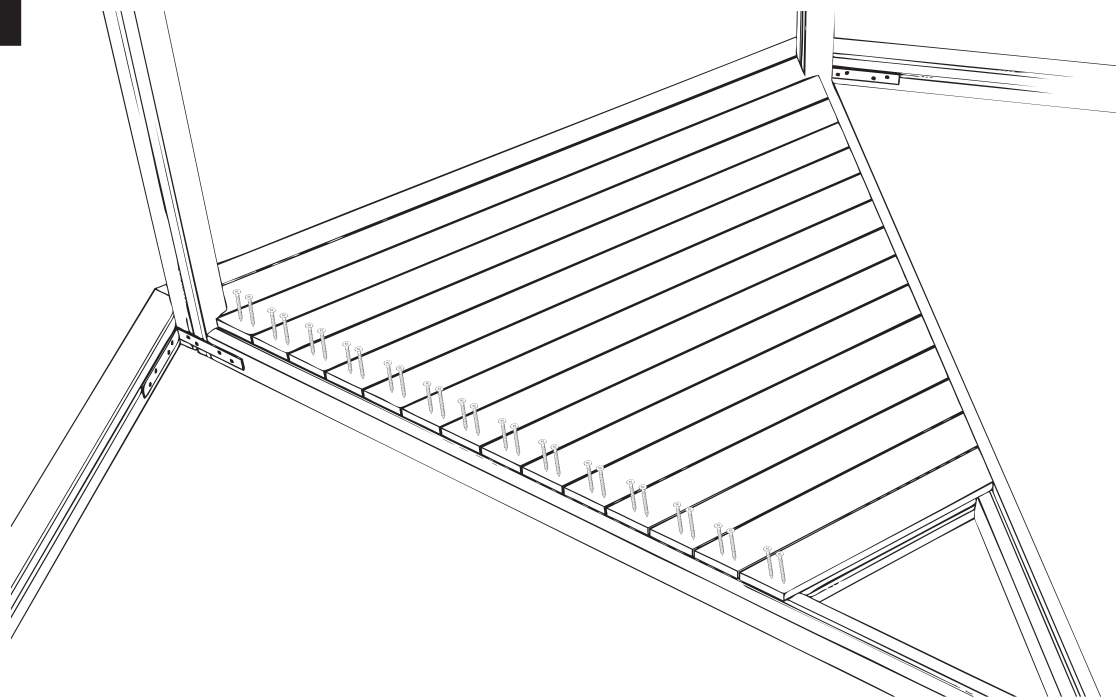
Using angle cleats / brackets with 80mm brass screws (into T3 timbers) & 120mm brass screw (into T2 timbers)



Assembly Instructions

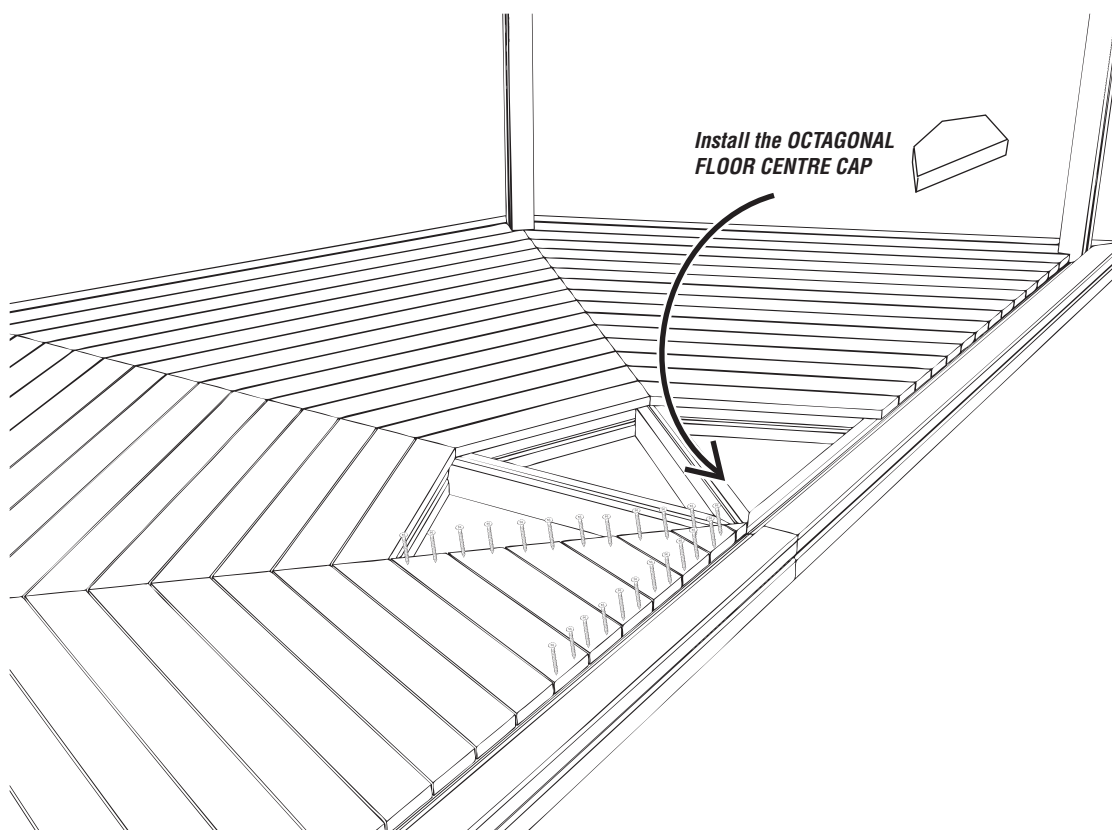
7

Screw the decking to the T2 timbers *Using 2 deck screws either side of each slat*



8

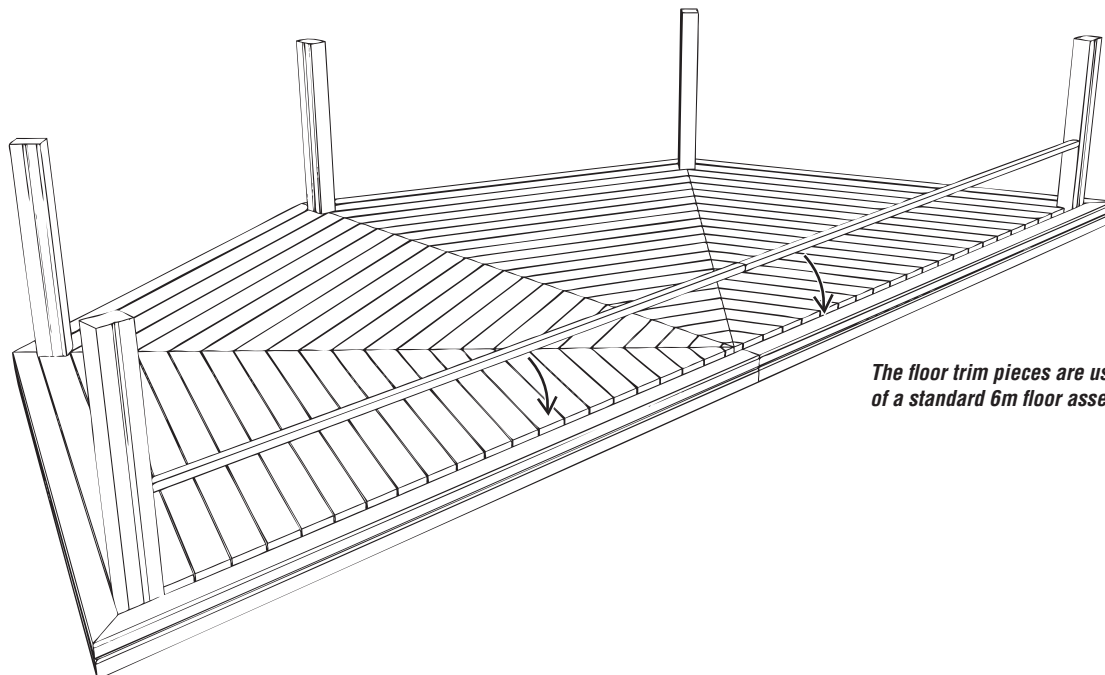
Screw the floor assembly (triangular section) to the T2 timbers *Using 2 deck screws either side of each slat*



Assembly Instructions

9

Screw the floor trim pieces (cut deck board) to the T2B timbers *Using deck screws*



The floor trim pieces are used to allow use of a standard 6m floor assembly

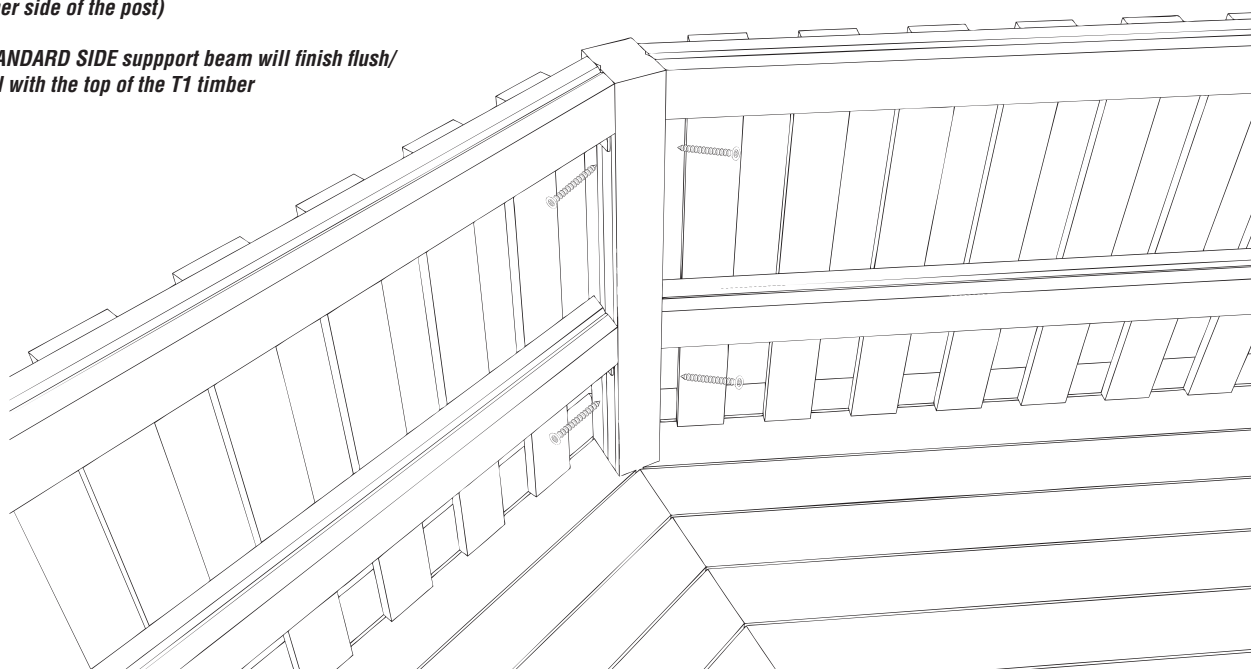
10

Attach standard sides to T1 timbers (upright supports)

Using angle cleats / brackets with 40mm brass screws

- Ensure the brass screws do not 'cross' each other (either side of the post)

- STANDARD SIDE support beam will finish flush/level with the top of the T1 timber

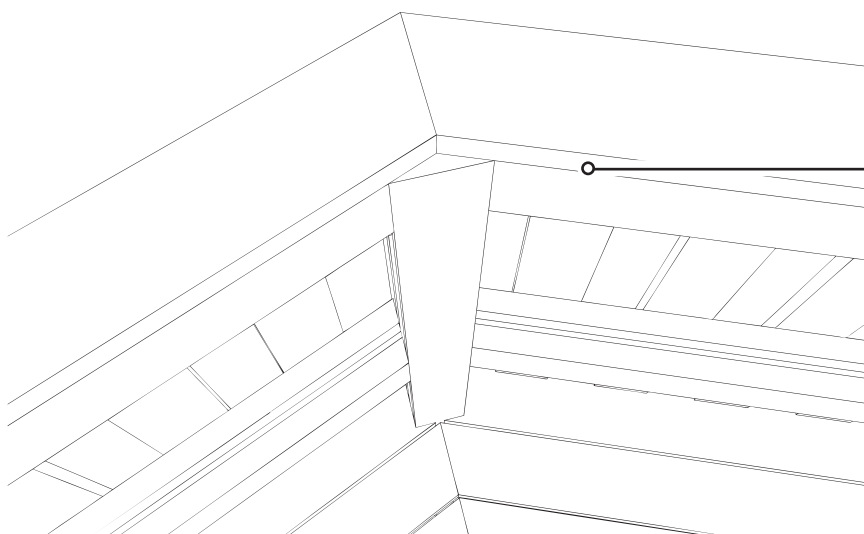


Assembly Instructions

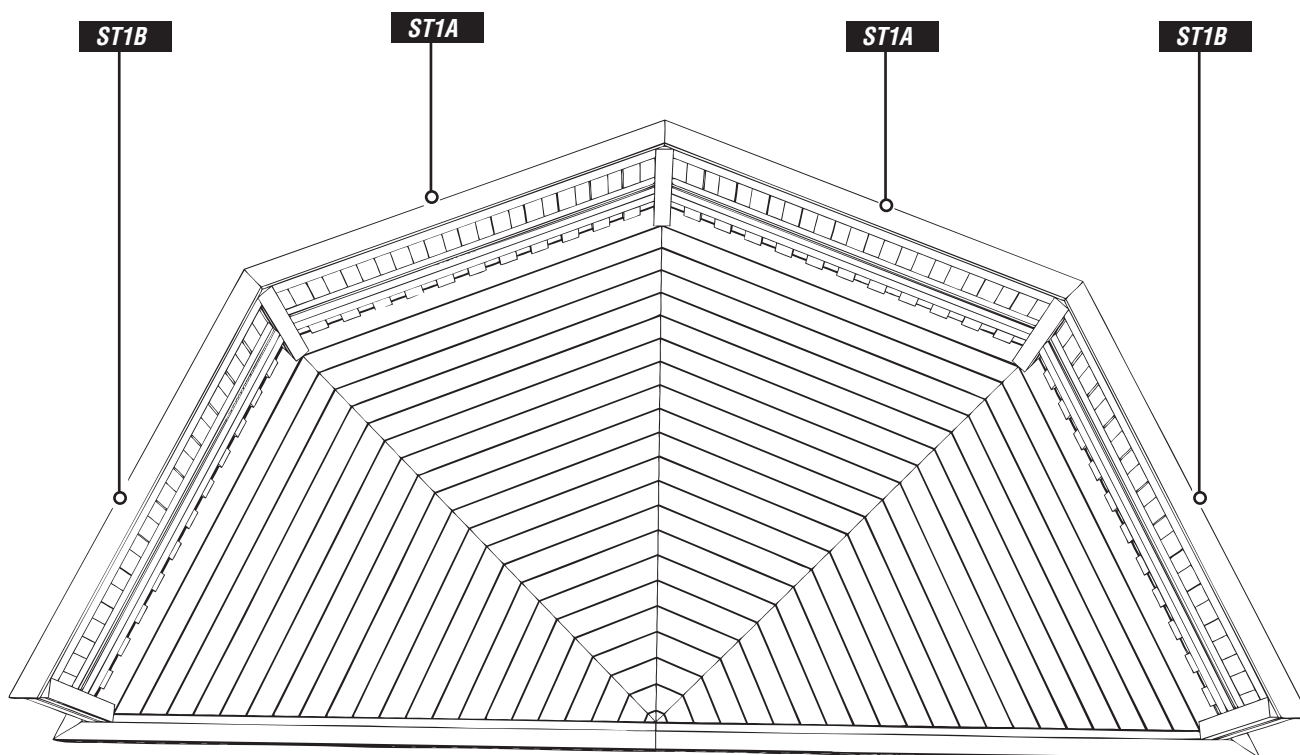
11

Screw the side trim pieces to the standard side supports

Using deck screws



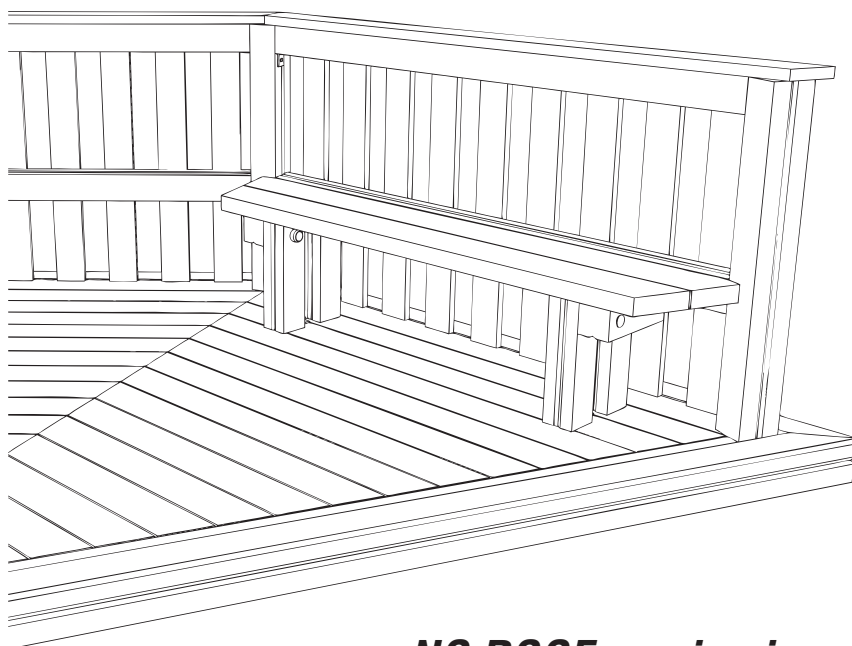
The back face of the the TRIM PIECE will be flush/in line with the STANDARD SIDE SUPPORT (90mm x 90mm)



Assembly Instructions

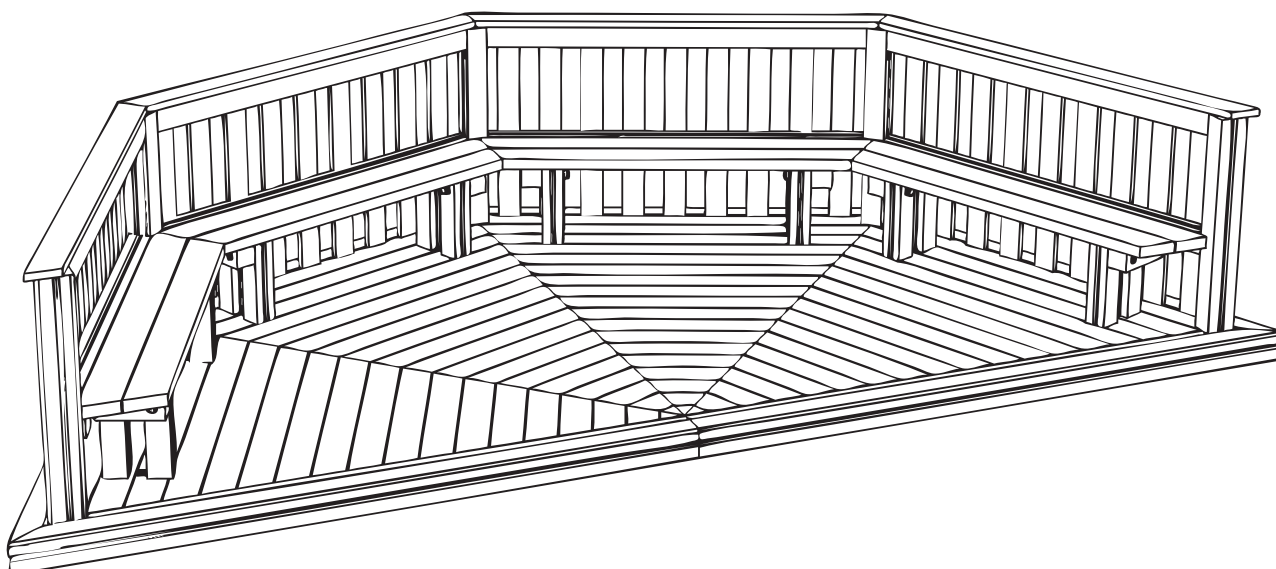
12

Position the seating *Using angle cleats / brackets with 40mm brass screws*



- Position the angle cleats / brackets behind the front leg of each seat
- Mark the hole locations and drill into the deck boards
- Secure the seats using angle cleats / brackets with 40mm brass screws
- Ensure the top of the bench is level with the STANDARD SIDE support (5mm gap between SIDE & SEAT sections)
- The seat slats are butted up against each other
- If not pre-assembled use 80mm brass screws to secure slats to supports

NO ROOF version is available without seating
OMIT SEATING IF NOT REQUIRED/ORDERED



Dimensions

