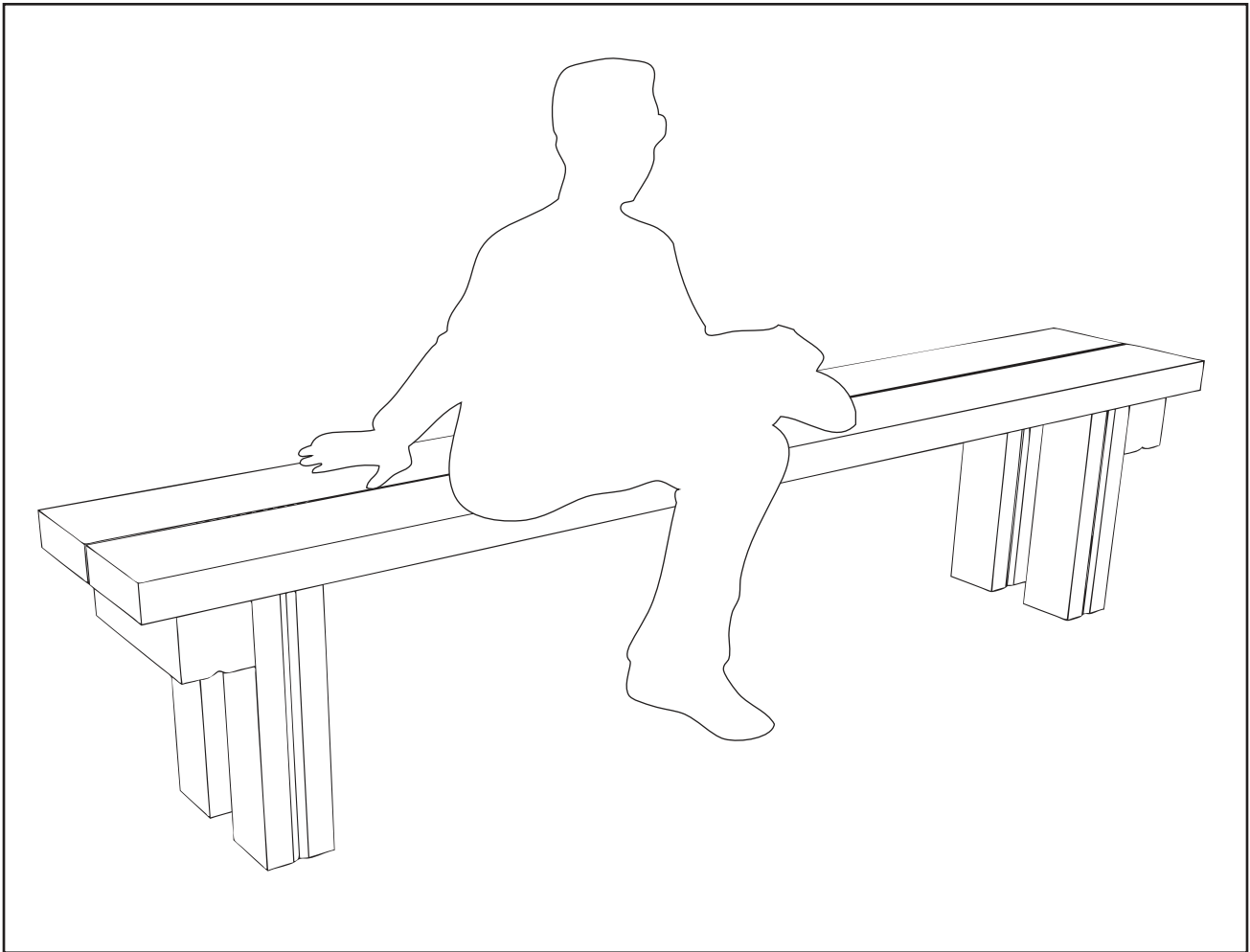


# **BASIC BENCH**

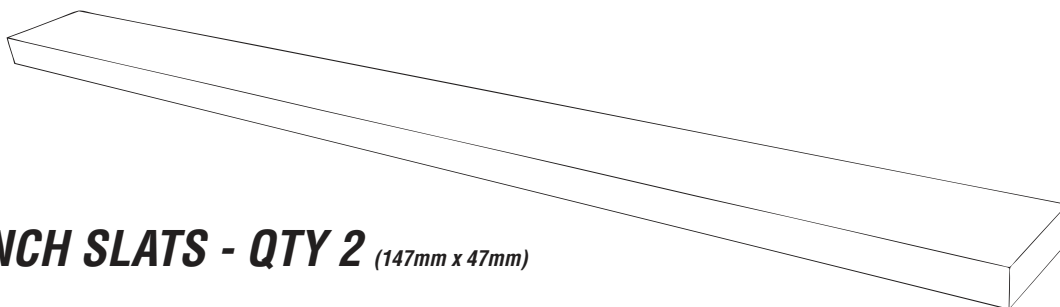
## ***Assembly Instructions***

**creative  
play**

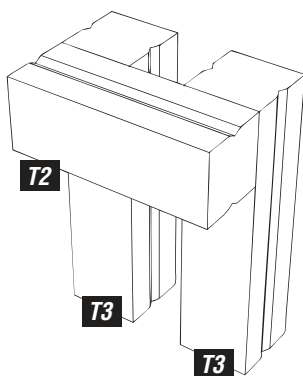


**IMPORTANT** - If foundation are required support legs will be have been extended 450mm

# PARTS required



**T1 BENCH SLATS - QTY 2** (147mm x 47mm)



**T2 T3 BENCH SUPPORT ASSEMBLY - QTY 2** (90mm x 90mm) 2 x T2 & 4 x T3

*\*IMPORTANT - if foundations required additional 450mm included for T3 timbers*

*If freestanding use angle cleats and expansion bolts/excalibur bolts to secure seats onto tarmac*



**x16** (180mm brass screws)



**x8** (120mm brass screws)

## OPTIONAL - If installed onto tarmac/concrete

*NOT REQUIRED IF SUPPORT POSTS HAVE BEEN EXTENDED FOR FOUNDATIONS*

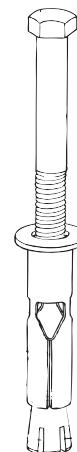


**x4** (angle cleats/brackets)



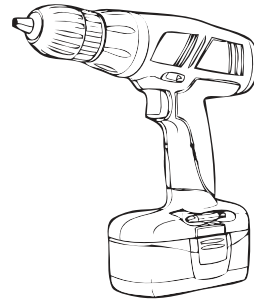
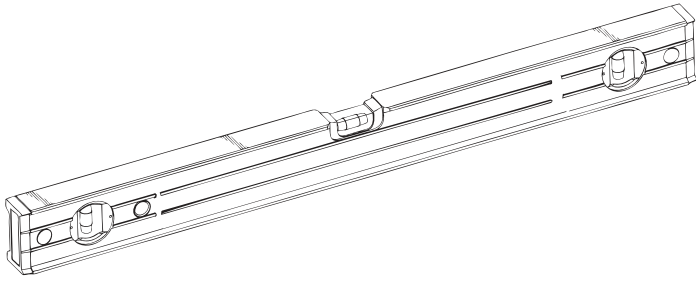
**x4** (40mm brass screws)

**x4**  
expansion bolts / excalibur bolts  
*To be used to secure seats onto tarmac*

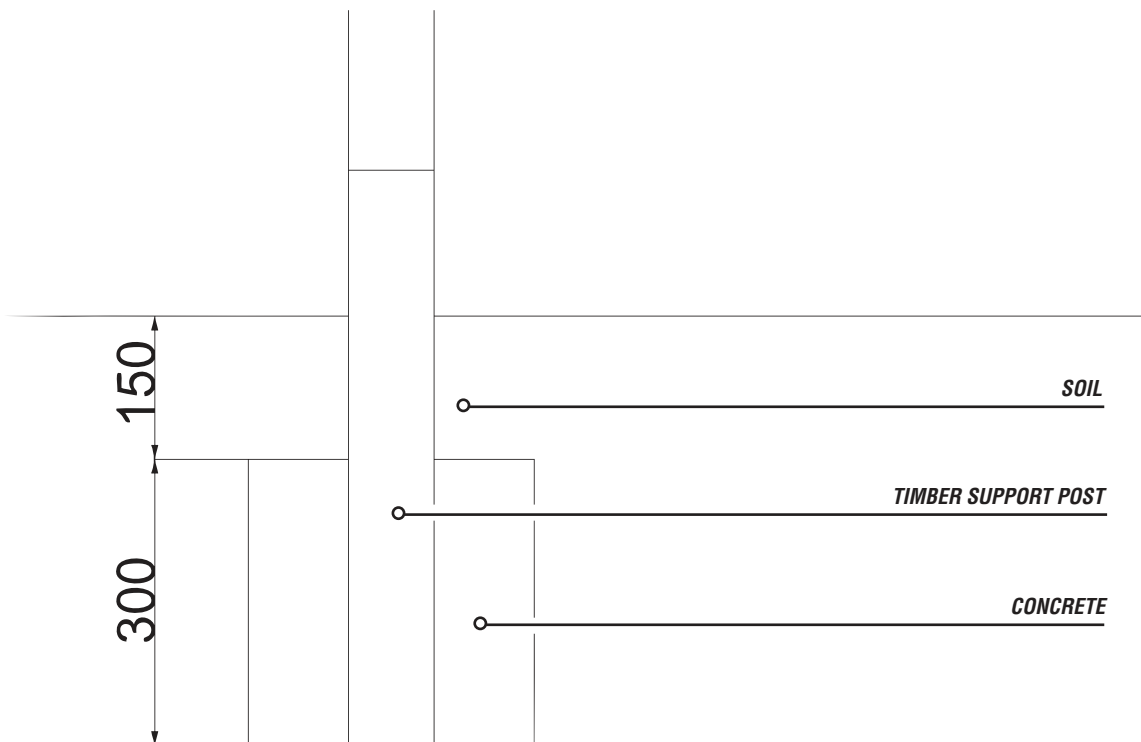
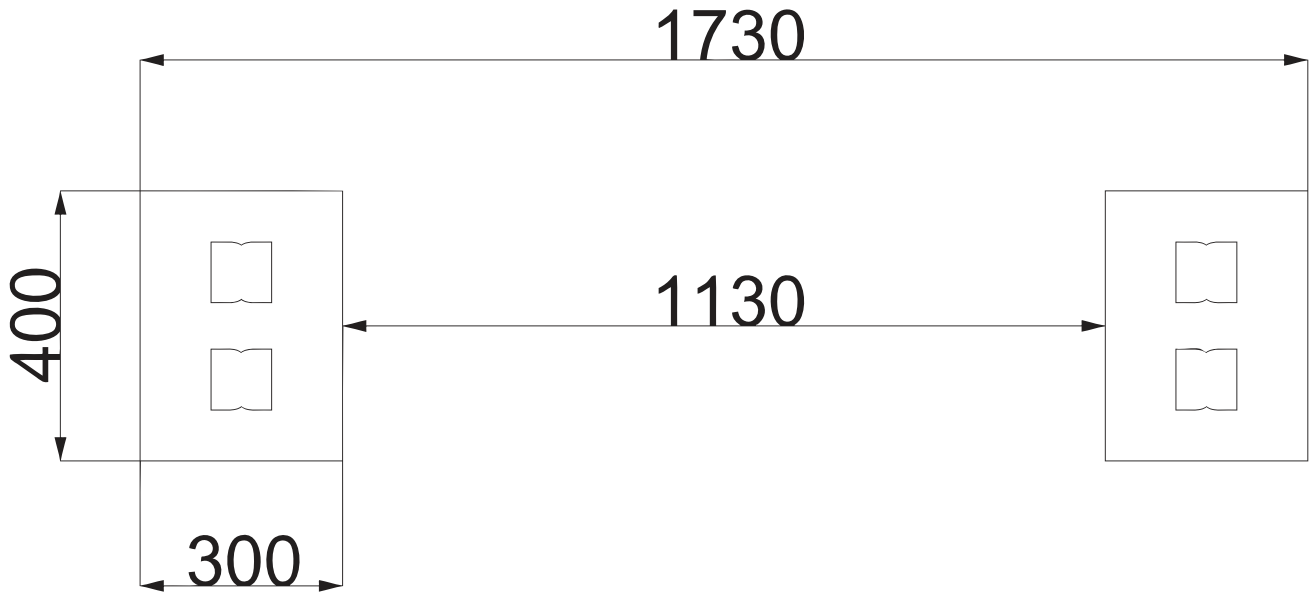


# ***TOOLS required***

---



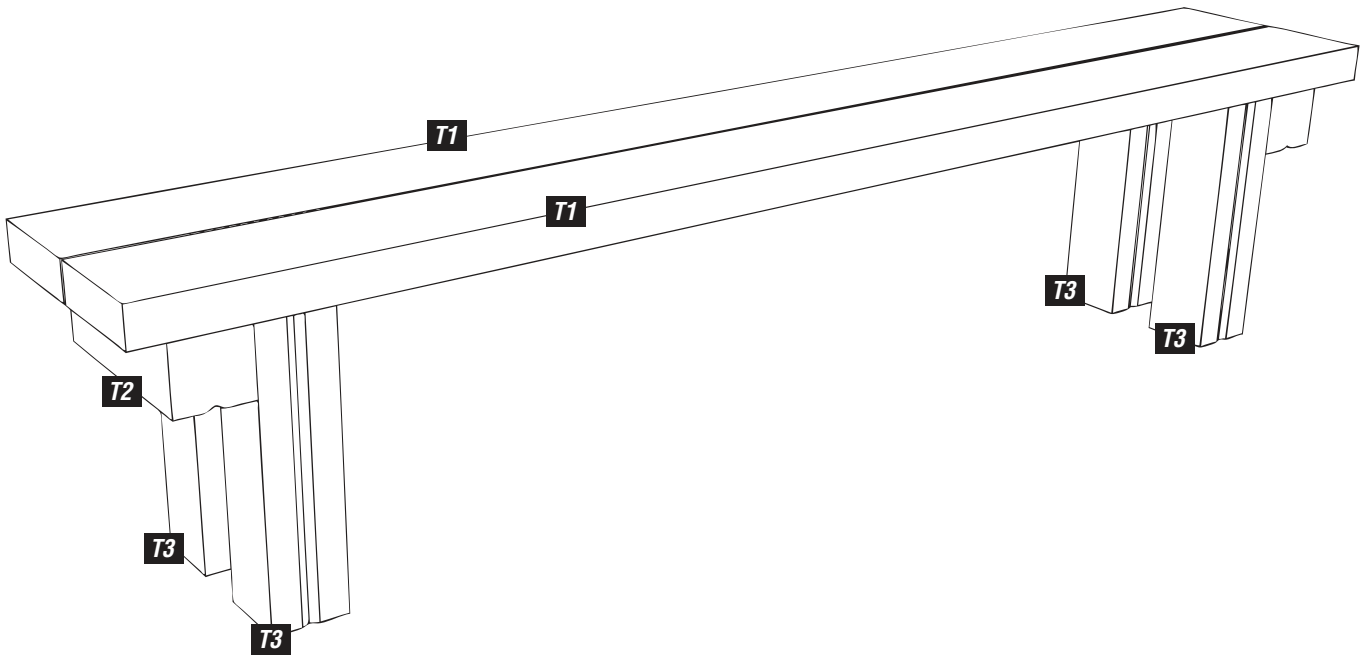
# Foundation Details



# Assembly Instructions

**1**

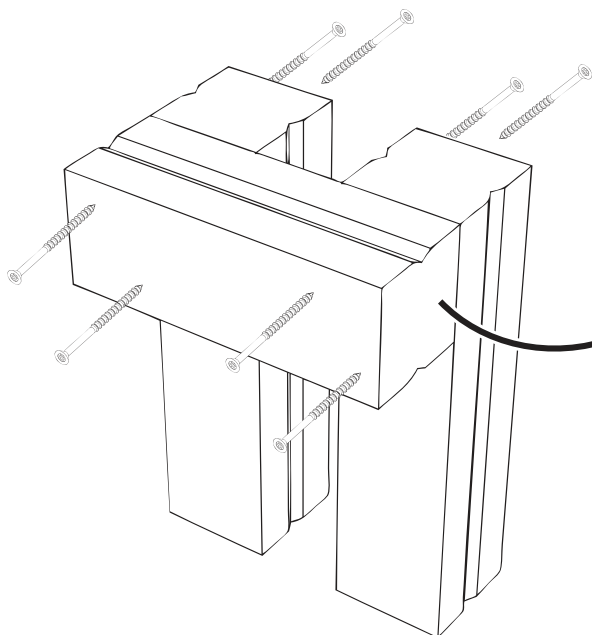
If the bench IS pre-assembled **JUMP TO STEP 5**



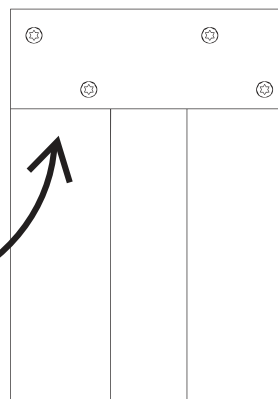
**2**

## Assemble Bench Supports x 2

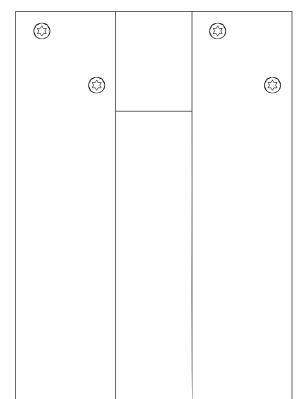
Using T2 / T3 timbers and 80mm brass screws (Bench supports SHOULD be pre-assembled)



FRONT VIEW



BACK VIEW



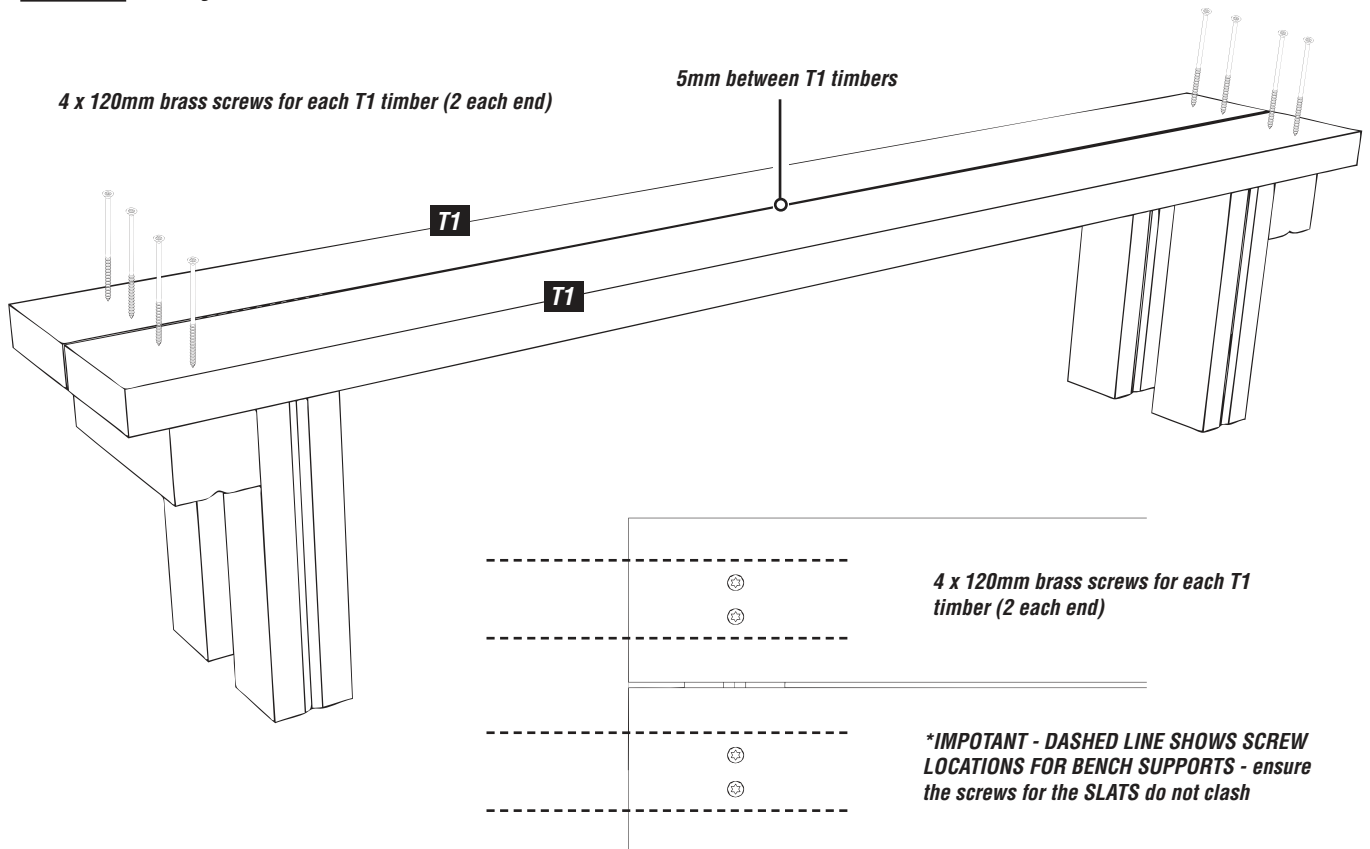
**\*SCREW BOTH SIDES AS SHOWN**  
This ensures the holes remain offset and do not 'cross'

# Assembly Instructions

**3**

## Attach bench slats (T1 timbers) to the support assemblies

Using 120mm brass screws



**4**

## Dimensions shown for bench slats



# Assembly Instructions

---

**5**

## **Install the ASSEMBLED BENCH**

Using **ANGLE CLEATS** with 40mm brass screws and **EXPANSION BOLTS** or **CONCRETE INTO GROUND** as per foundation drawings



Follow the **FOUNDATION DETAILS** on Page 4

**OR**

Position angle cleats on the **INSIDE** of support leg

- Use 40mm brass screws to attach angle cleat to the support legs

- Use expansion bolts or **EXCALIBUR** bolts to secure the bolts to the concrete / tarmac