

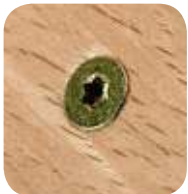
# CURVED Modular Seating

creative  
play

5-PIECE VERSION - MAIN PICTURE



Fastenings are tamper-proof or capped with secure custom-made plastic tamper proof covers. All footholds have a slip-resistant surface.



High quality countersunk torx head wood screw with special thread. Hardened steel with a brass effect finish.



All our timbers are pressure treated with a chrome-free and arsenic-free preservative which protects against decay and insect attack for 20 years.

**SEAT HEIGHT: 0.4m**

**LENGTH: 1.5m**

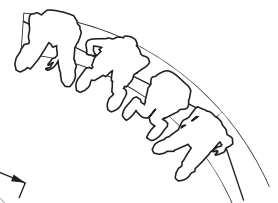
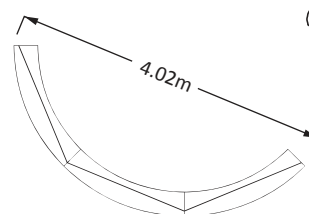
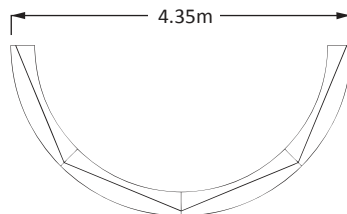
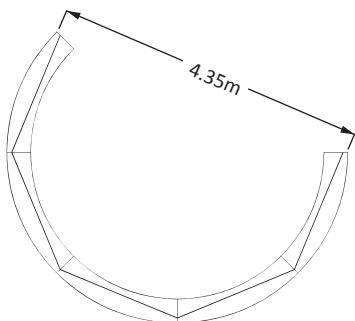
length shown is per bench

## VARIATIONS



3-PIECE version

4-PIECE version



3 & 1/2 per bench