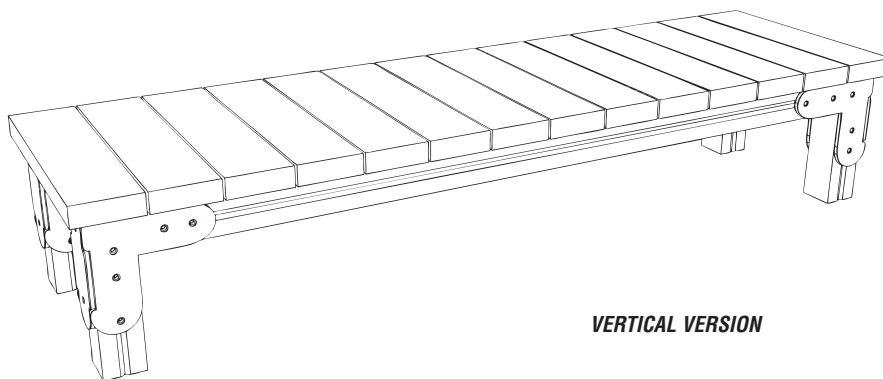
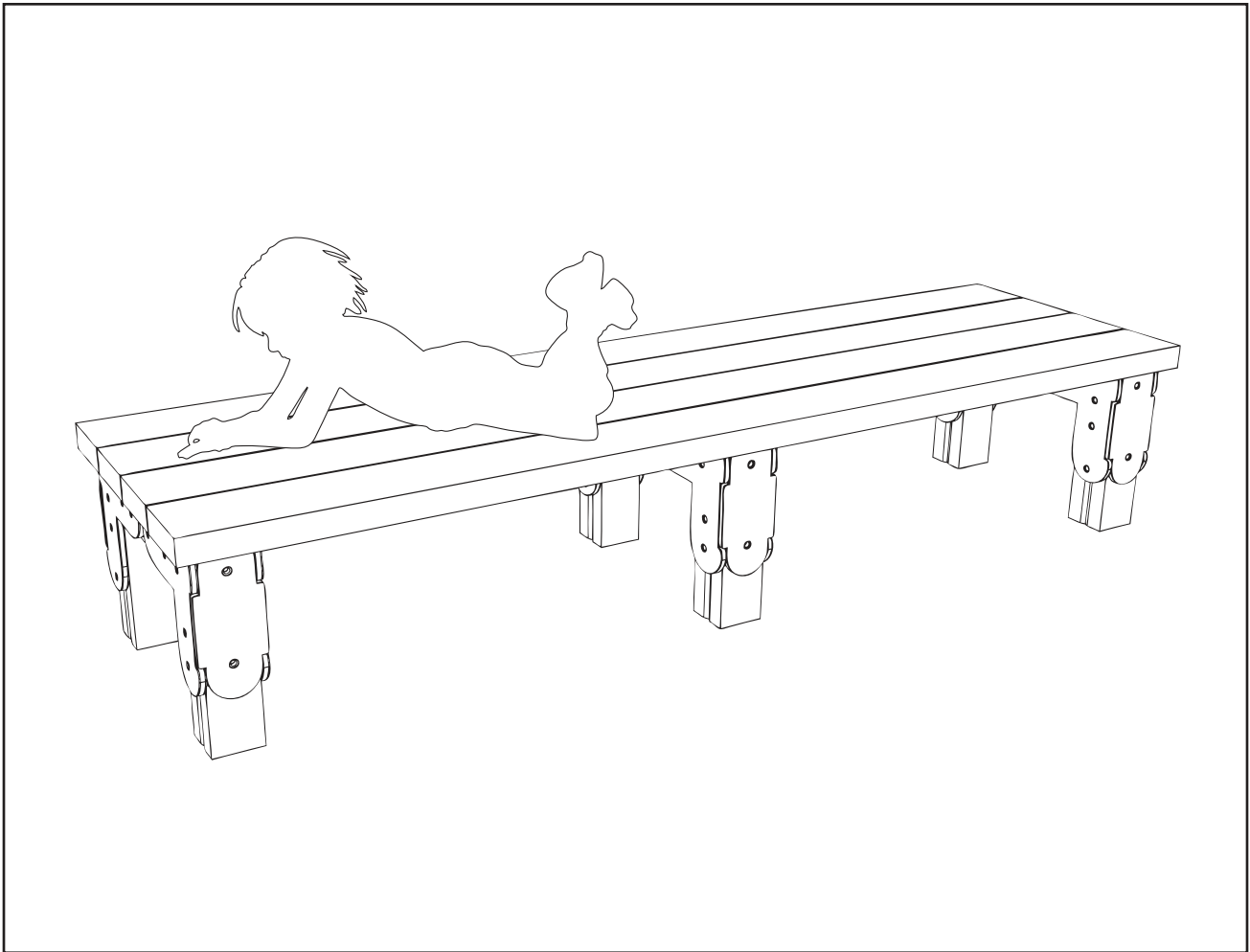


# **HORIZONTAL - Slatted Bench Assembly Instructions**

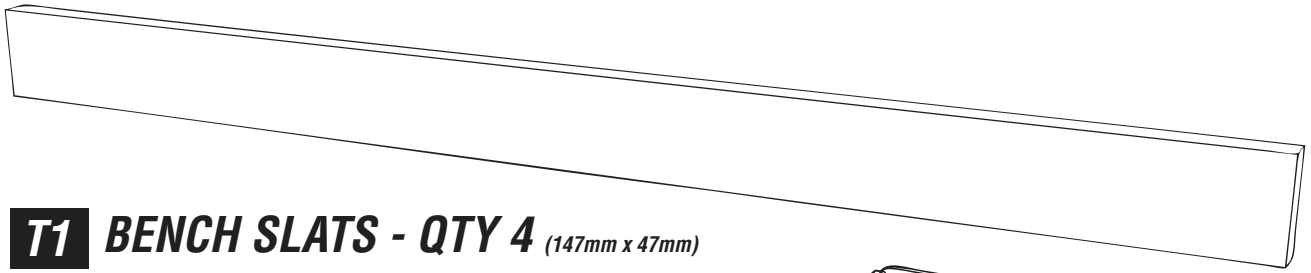
**creative  
play**



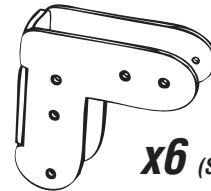
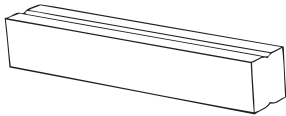
**VERTICAL VERSION**

**IMPORTANT** - If foundation are required support legs will be have been extended 450mm

# PARTS required

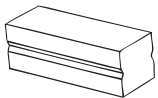


**T1 BENCH SLATS - QTY 4** (147mm x 47mm)



**x6** (Standard 90x90 L's)

**T2 SLAT SUPPORTS - QTY 3** (90mm x 90mm)



**x24** (80mm brass screws)

**T3 SUPPORTS - QTY 6** (90mm x 90mm)

*\*IMPORTANT - if foundations required additional 450mm included*

*If freestanding use angle cleats and expansion bolts/excalibur bolts to secure seats onto tarmac*



**x72** (40mm brass screws)

## OPTIONAL - If installed onto tarmac/concrete

*NOT REQUIRED IF SUPPORT POSTS HAVE BEEN EXTENDED FOR FOUNDATIONS*



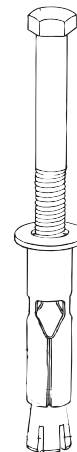
**x6** (angle cleats/brackets)



**x6** (40mm brass screws)

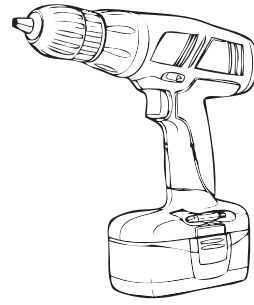
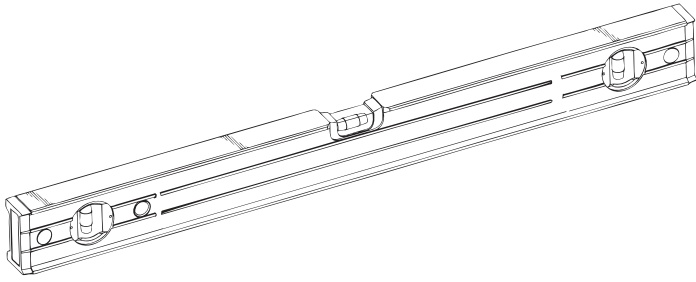
**x6**

*expansion bolts / excalibur bolts  
To be used to secure seats onto tarmac*

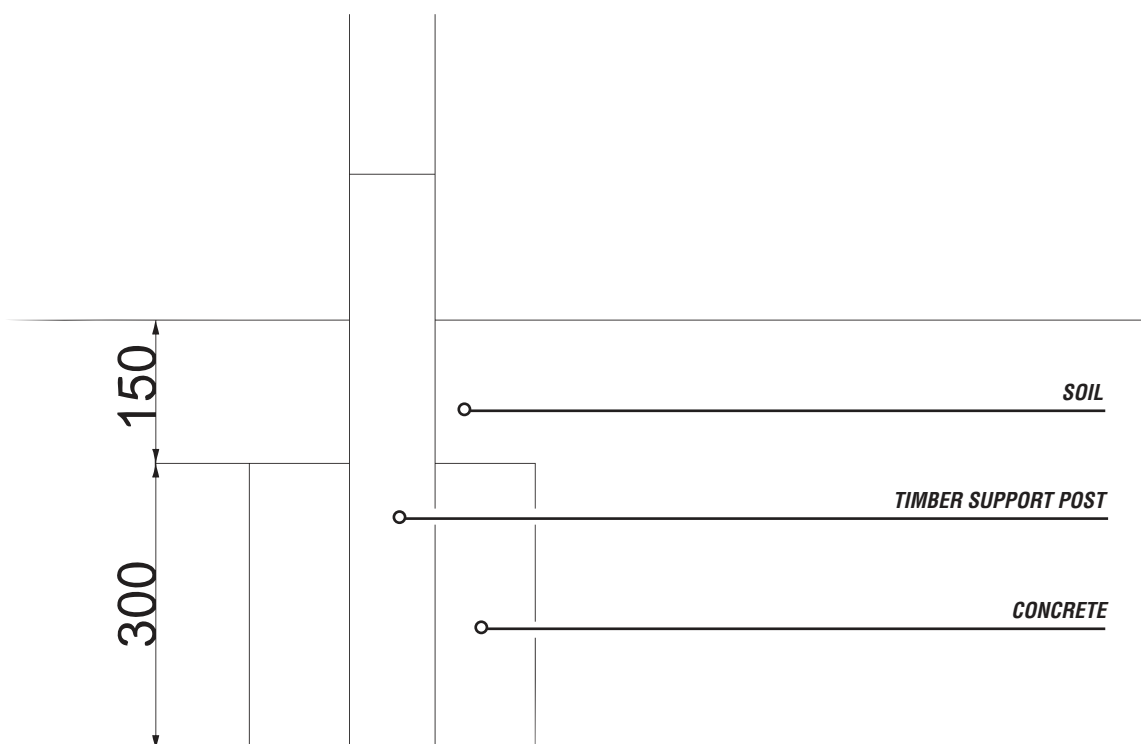
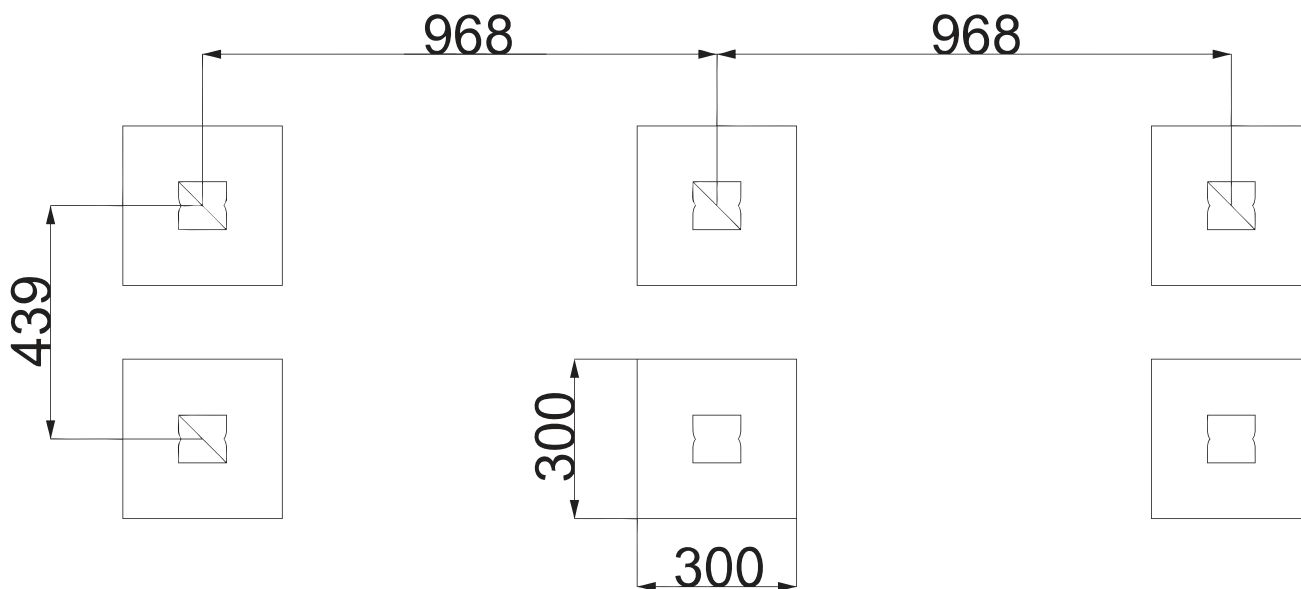


# ***TOOLS required***

---



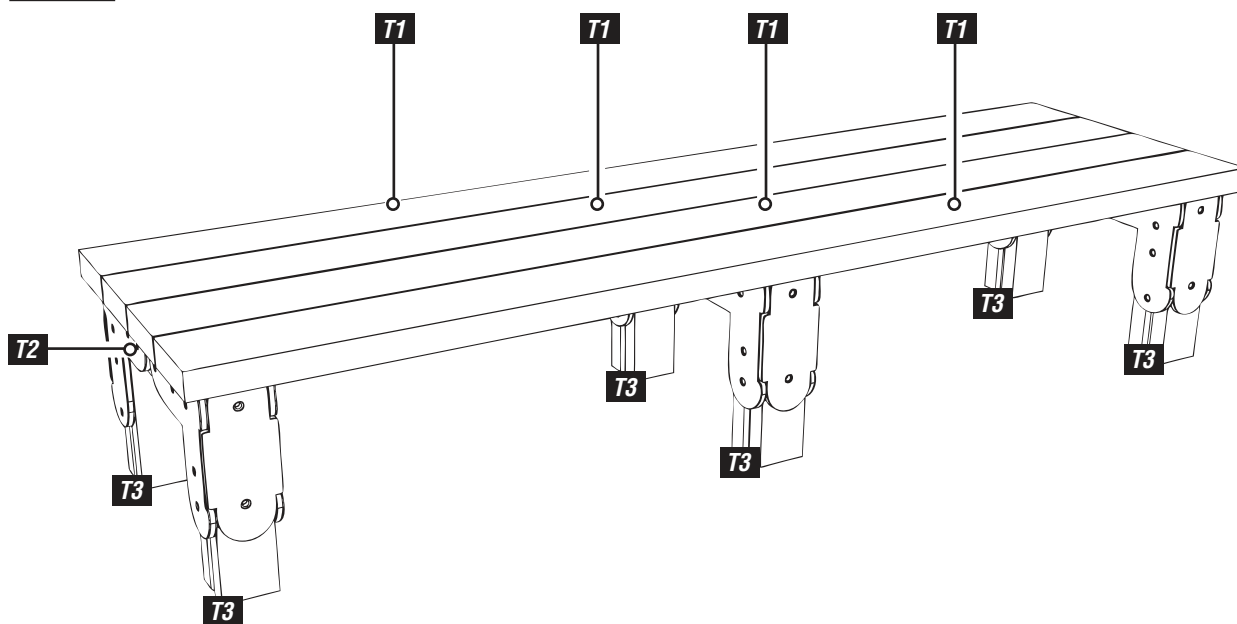
# Foundation Details



# Assembly Instructions

**1**

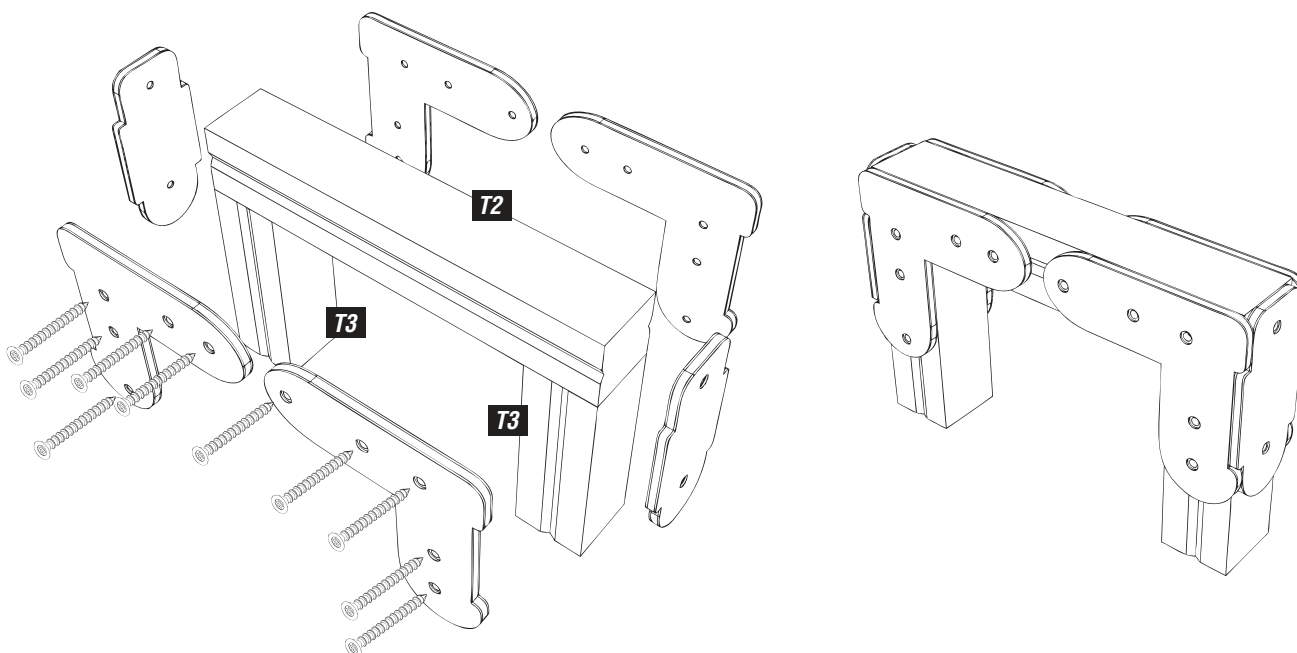
**If the bench IS pre-assembled JUMP TO STEP 6**



**2**

**Attach T2 & T3 timber to 90x90 L's**

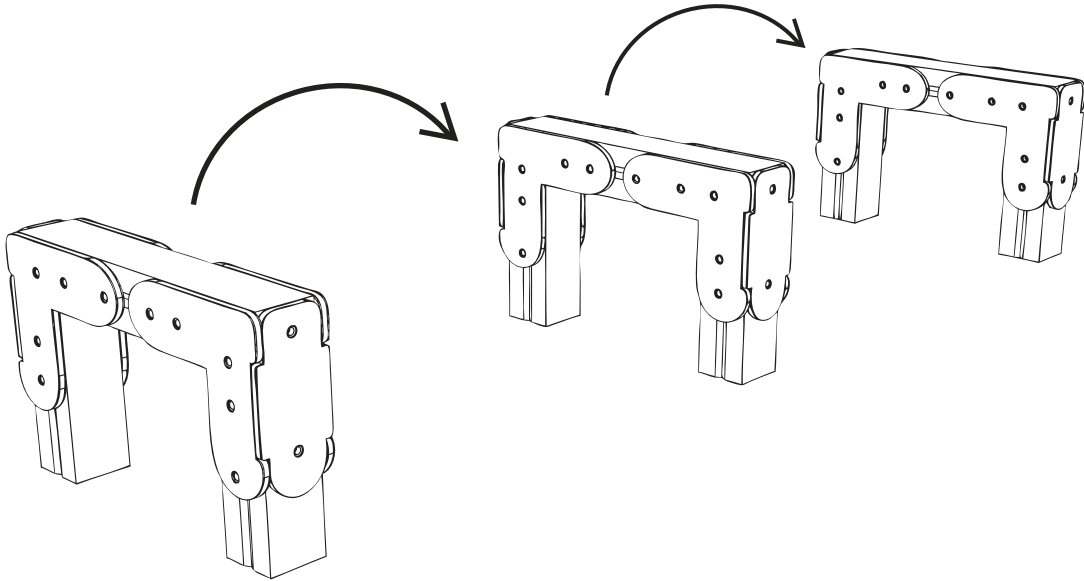
*Using 40mm brass screws*



# Assembly Instructions

**3**

**Repeat for the other sets of T2 & T3 timbers**



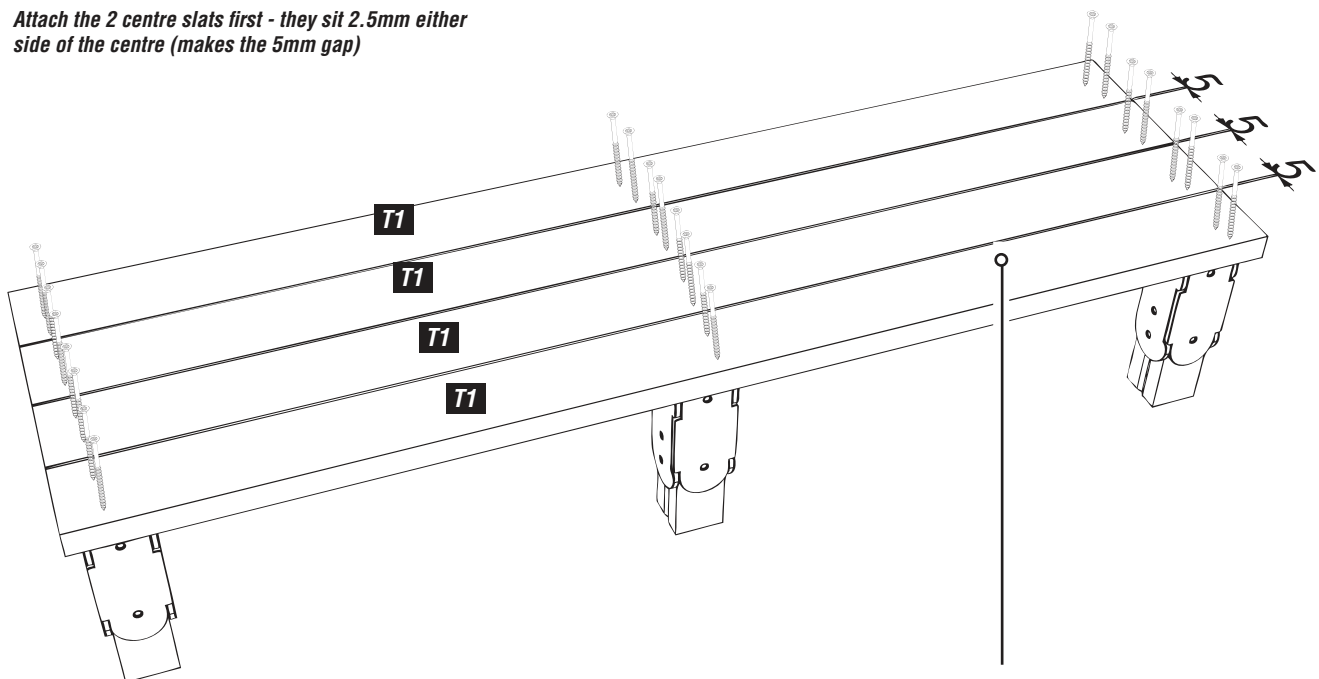
**4**

**Attach the T1 timbers to the T2 timbers (slat supports)**

*Using 120mm brass screws*

*Use 6 screws per SLAT (left/middle/right) ensure they are uniform*

*Attach the 2 centre slats first - they sit 2.5mm either side of the centre (makes the 5mm gap)*



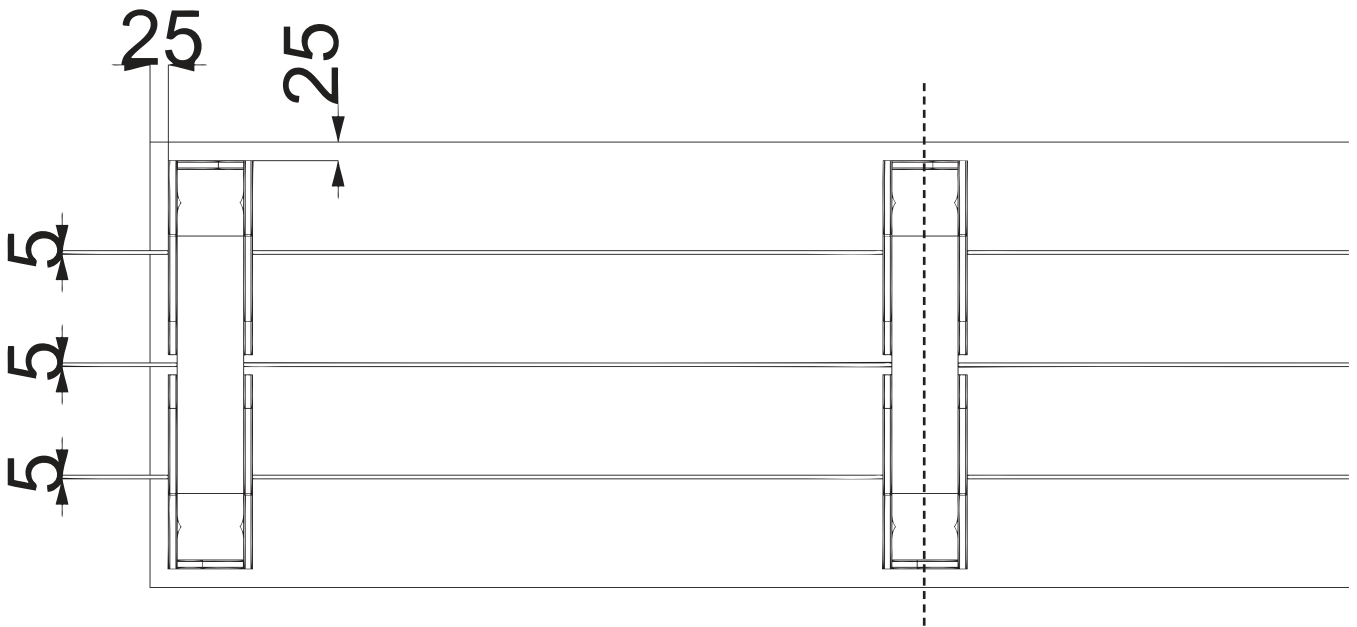
*\*5mm gap between the T1 timbers*

# Assembly Instructions

**5**

**Ensure slats are spaced / arranged as shown**

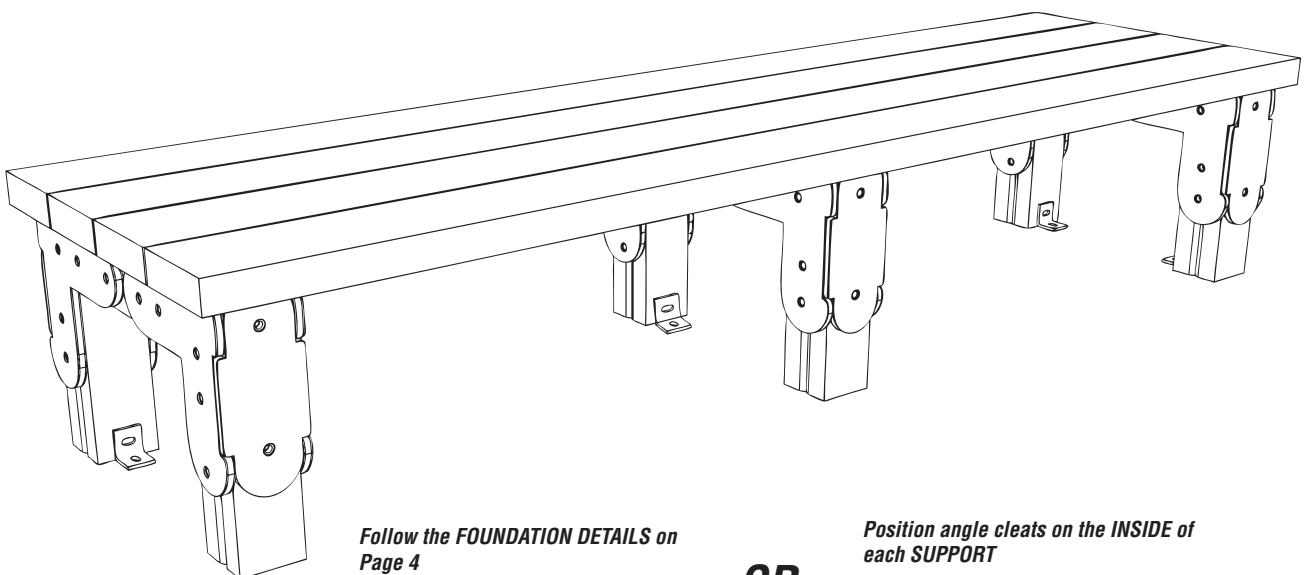
*View from below shown*



**6**

**Install the ASSEMBLED BENCH**

*Using ANGLE CLEATS with 40mm brass screws and EXPANSION BOLTS or CONCRETE INTO GROUND as per foundation drawings*



*Follow the FOUNDATION DETAILS on Page 4*

**OR**

*Position angle cleats on the INSIDE of each SUPPORT*

*- Use 40mm brass screws to attach angle cleat to the support legs*

*- Use expansion bolts or EXCALIBUR bolts to secure the bolts to the concrete / tarmac*