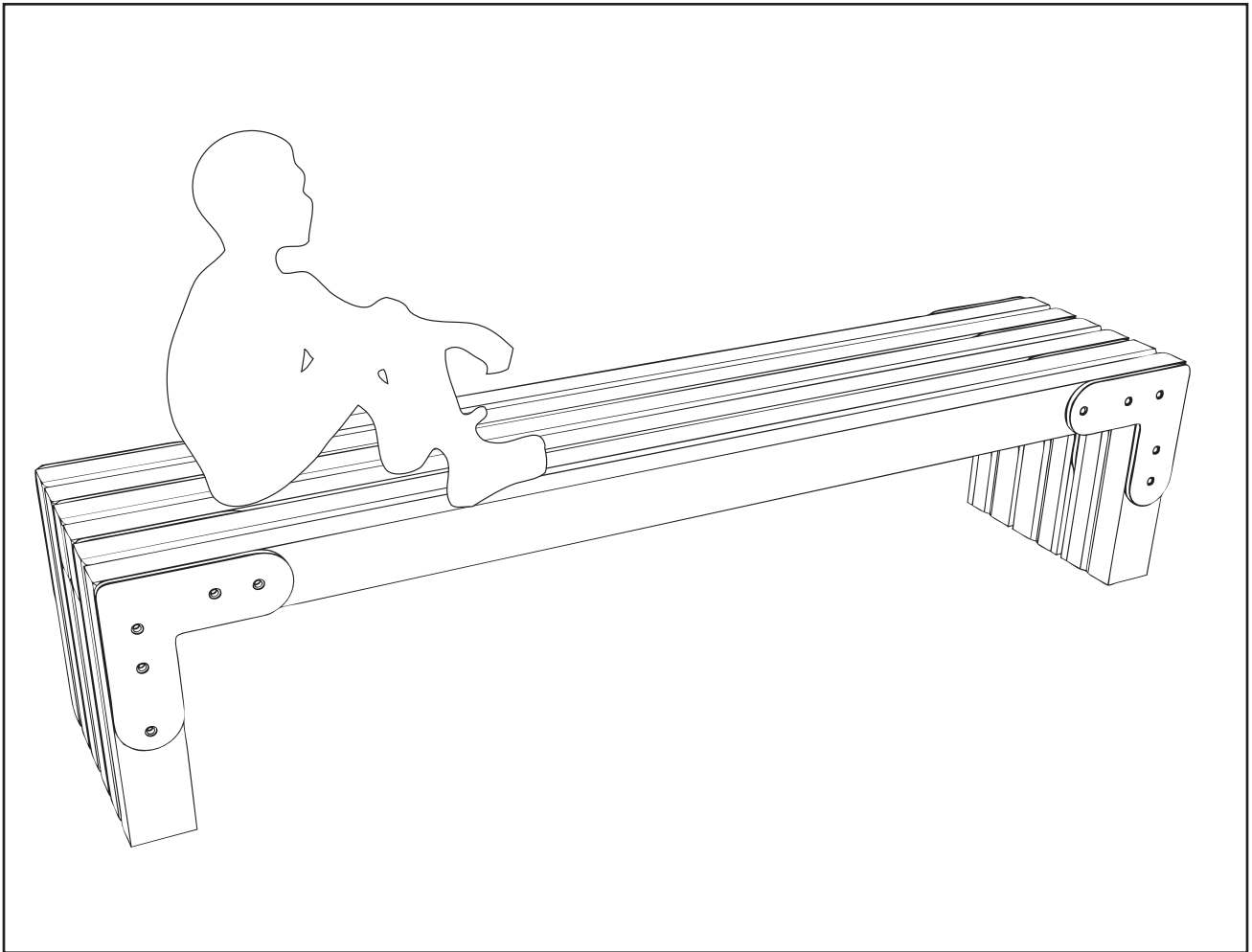


# **ONE-20 BENCH**

## ***Assembly Instructions***

**creative  
play**

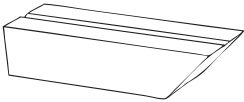


***IMPORTANT*** - If foundation are required support legs will be have been extended 450mm

# PARTS required



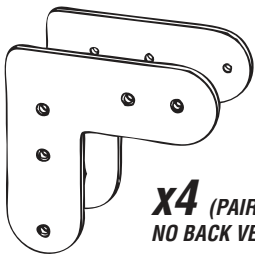
**T1 BENCH SLATS - QTY 3** (120mm x 90mm)



**T2 BENCH SUPPORTS - QTY 6** (120mm x 90mm)

*\*IMPORTANT - if foundations required additional 450mm included*

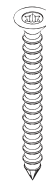
*If freestanding use angle cleats and expansion bolts/excalibur bolts to secure seats onto tarmac*



**x4** (PAIRS of 90x90 L's -  
NO BACK VERSION)



**x20** (180mm brass screws)



**x20** (80mm brass screws)

## OPTIONAL - If installed onto tarmac/concrete

*NOT REQUIRED IF SUPPORT POSTS HAVE BEEN EXTENDED FOR FOUNDATIONS*

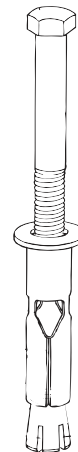


**x2** (angle cleats/brackets)



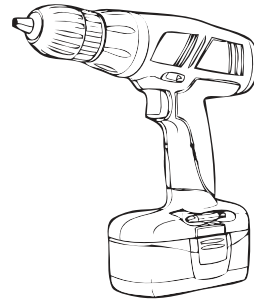
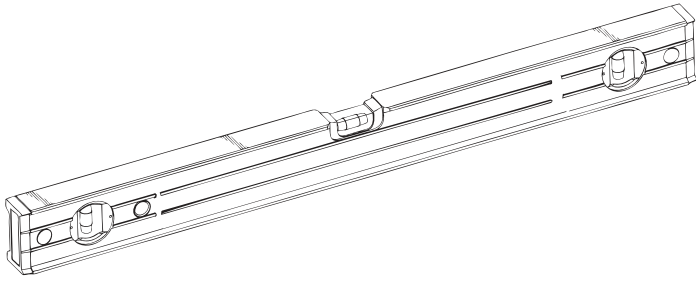
**x2** (40mm brass screws)

**x2**  
expansion bolts / excalibur bolts  
*To be used to secure seats onto tarmac*

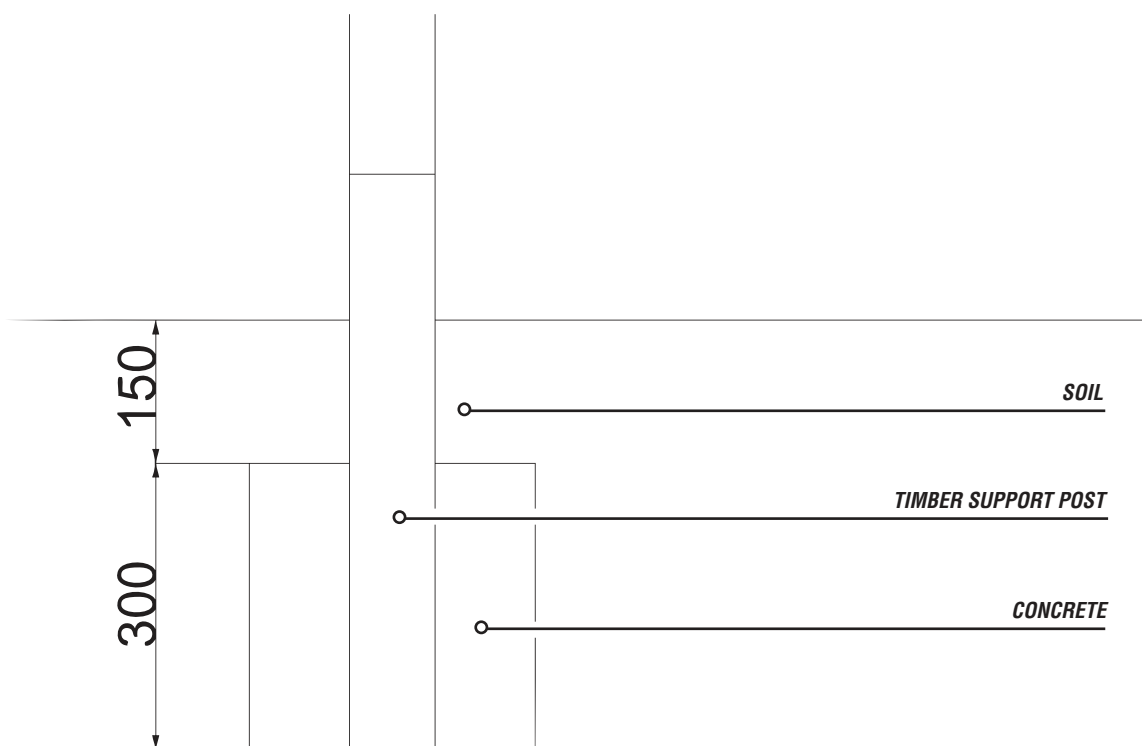


# ***TOOLS required***

---



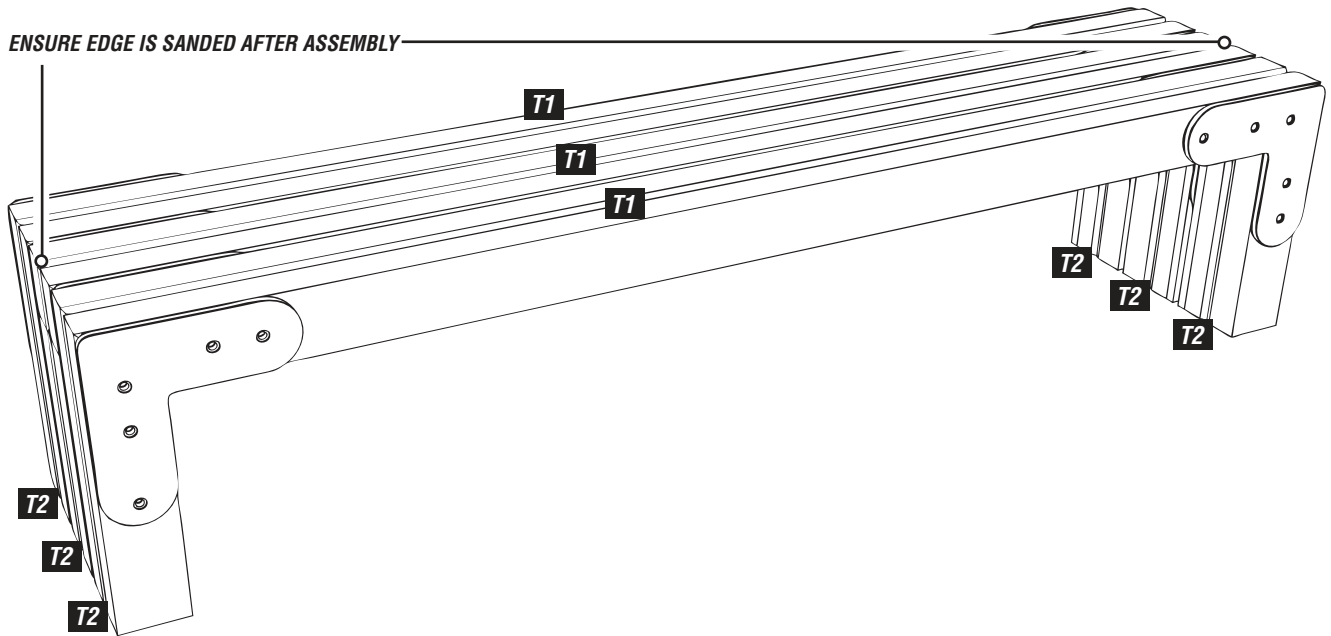
# Foundation Details



# Assembly Instructions

**1**

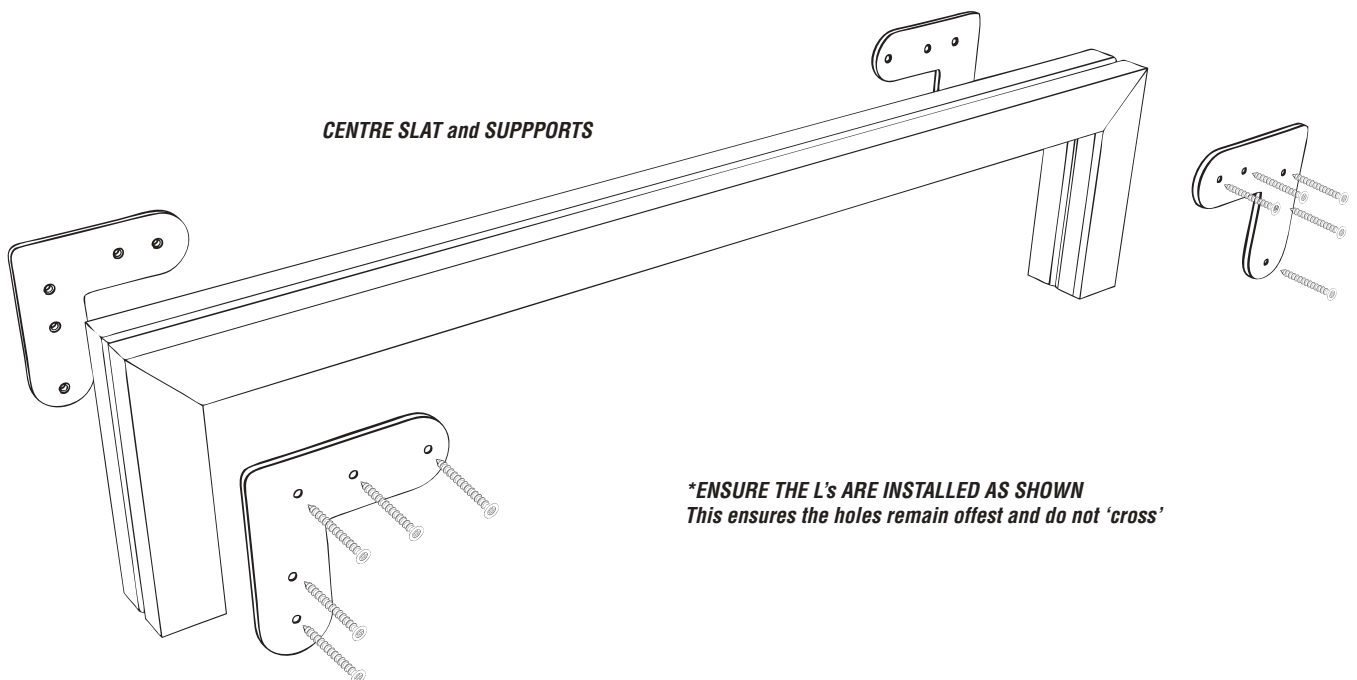
**If the bench IS pre-assembled JUMP TO STEP 6**



**2**

**Attach T1 & T2 timbers**

*Using 90mm x 90mm L's and 80mm brass screws*



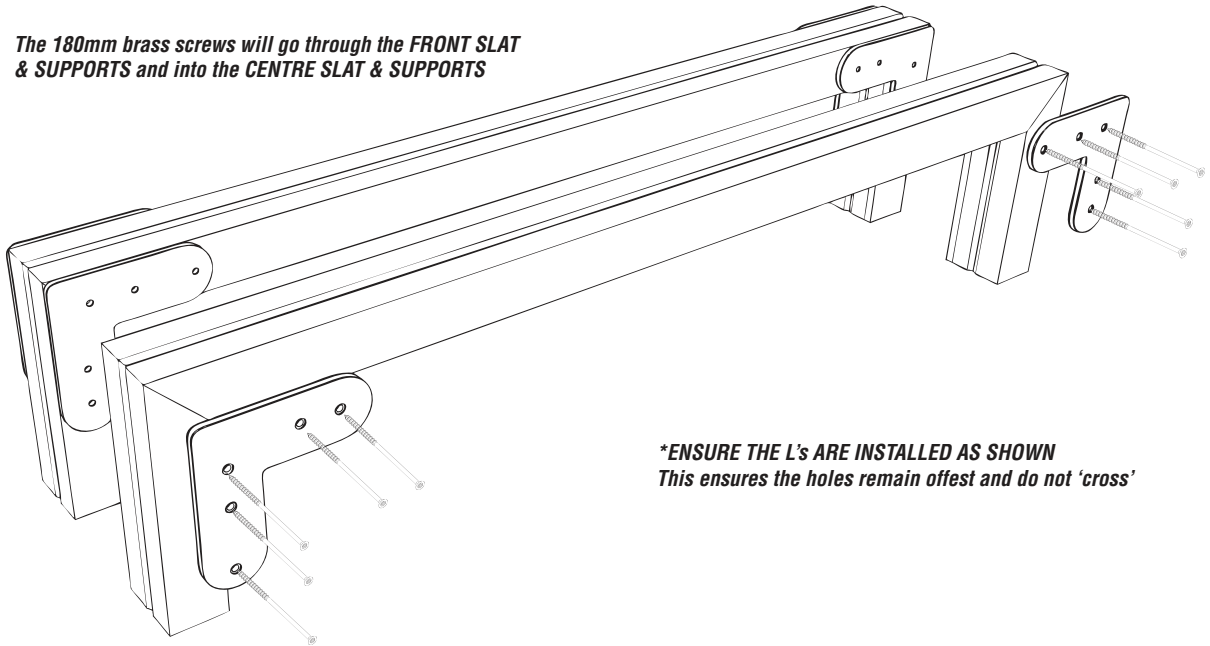
# Assembly Instructions

**3**

## Add the FRONT SLAT and SUPPORTS

Using 90mm x 90mm L's and 180mm brass screws

The 180mm brass screws will go through the FRONT SLAT & SUPPORTS and into the CENTRE SLAT & SUPPORTS

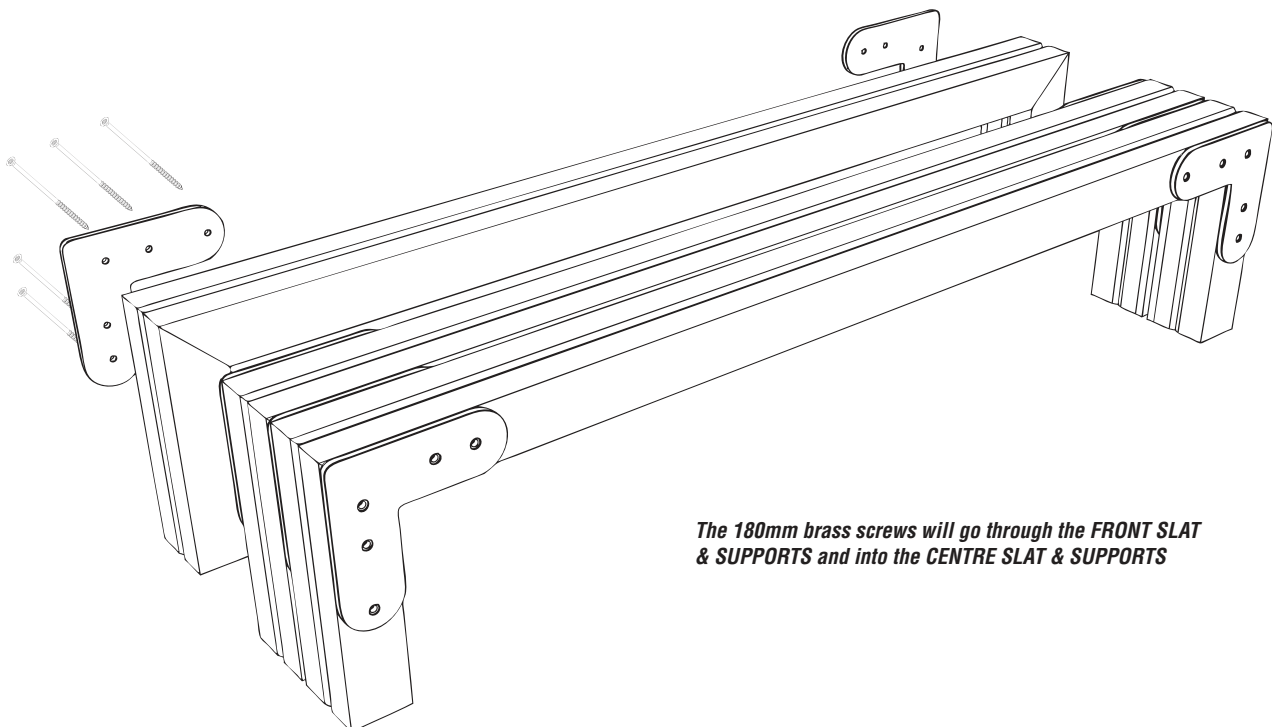


**\*ENSURE THE L's ARE INSTALLED AS SHOWN**  
This ensures the holes remain offset and do not 'cross'

**4**

## Add the BACK SLAT and SUPPORTS

Using 90mm x 90mm L's and 180mm brass screws



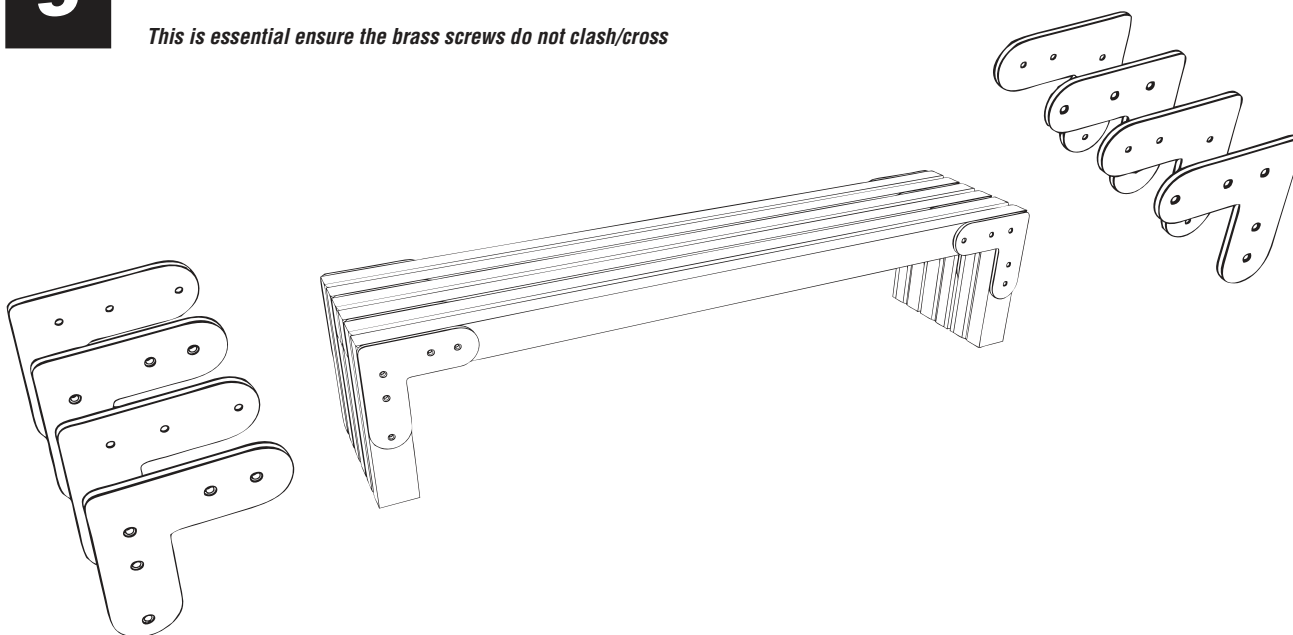
The 180mm brass screws will go through the FRONT SLAT & SUPPORTS and into the CENTRE SLAT & SUPPORTS

# Assembly Instructions

**5**

## Ensure L's are assembled as shown below

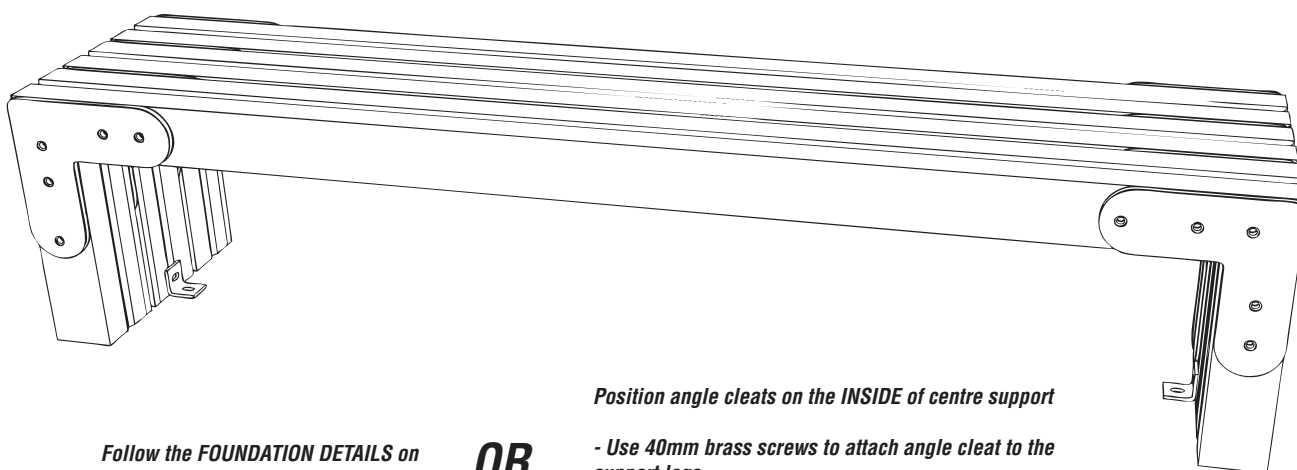
*This is essential ensure the brass screws do not clash/cross*



**6**

## Install the ASSEMBLED BENCH

*Using ANGLE CLEATS with 40mm brass screws and EXPANSION BOLTS or CONCRETE INTO GROUND as per foundation drawings*



*Follow the FOUNDATION DETAILS on Page 4*

**OR**

*Position angle cleats on the INSIDE of centre support*

*- Use 40mm brass screws to attach angle cleat to the support legs*

*- Use expansion bolts or EXCALIBUR bolts to secure the bolts to the concrete / tarmac*