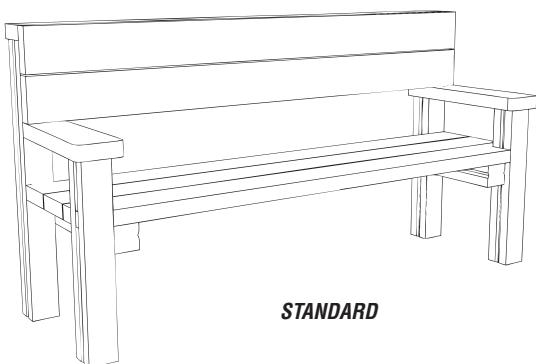
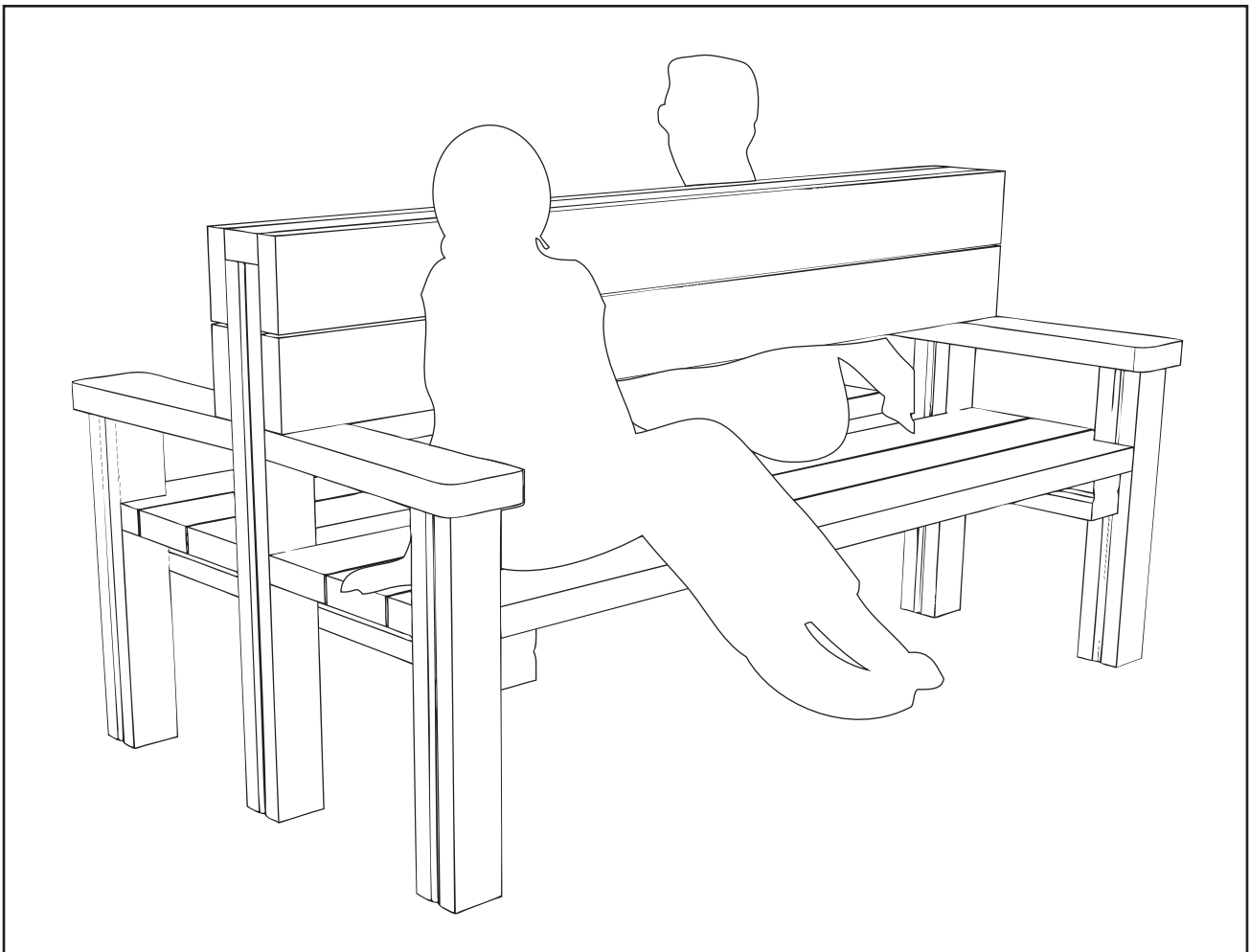


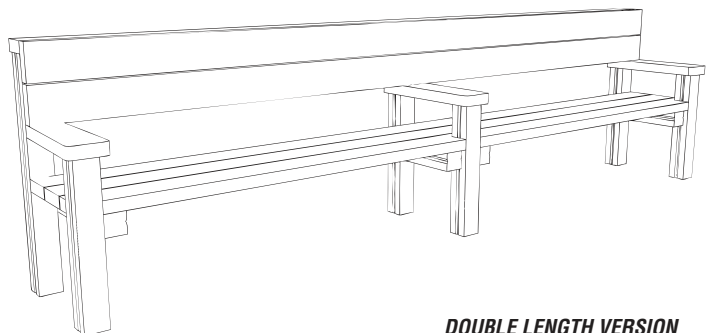
PARK BENCH - DOUBLE SIDED

**creative
play**

Assembly Instructions



STANDARD



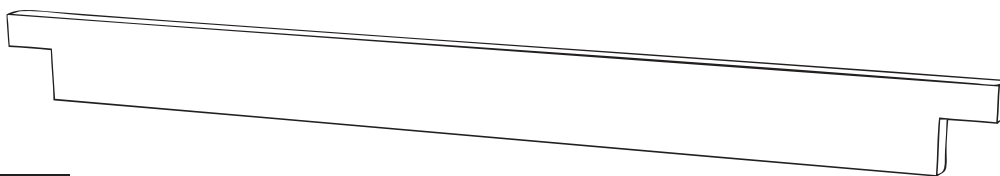
DOUBLE LENGTH VERSION

IMPORTANT - If foundation are required support legs will be have been extended 450mm

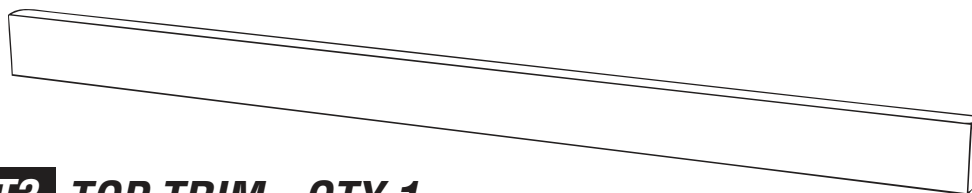
PARTS required



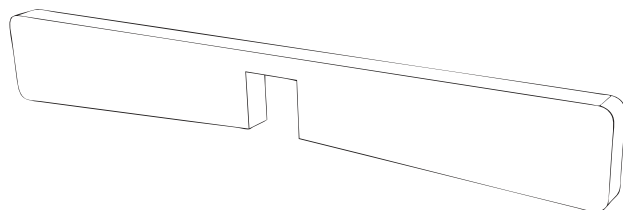
T1 BENCH SLATS - QTY 8 (147mm x 47mm)



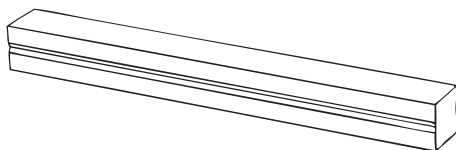
T2 BENCH SLAT FRONT - QTY 2 (147mm x 47mm)



T3 TOP TRIM - QTY 1 (147mm x 47mm)



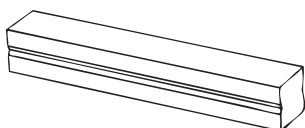
T4 ARM RESTS - QTY 2 (147mm x 47mm)



**IMPORTANT - if foundations required additional 450mm included*

If freestanding use angle cleats and expansion bolts/excalibur bolts to secure seats onto tarmac

T5 BENCH SUPPORT (BACK) - QTY 2 (90mm x 90mm)



**IMPORTANT - if foundations required additional 450mm included*

If freestanding use angle cleats and expansion bolts/excalibur bolts to secure seats onto tarmac

T6 BENCH SUPPORT (FRONT) - QTY 4 (90mm x 90mm)

PARTS required continued...

T7 BENCH SLAT SUPPORTS - QTY 2 (90mm x 90mm)



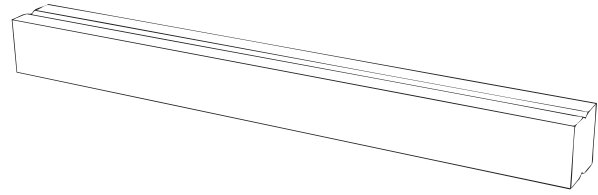
x12 (180mm brass screws)



x52 (120mm brass screws)



x4 (80mm brass screws)



OPTIONAL - If installed onto tarmac/concrete

NOT REQUIRED IF SUPPORT POSTS HAVE BEEN EXTENDED FOR FOUNDATIONS

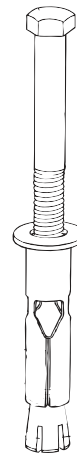


x4 (angle cleats/brackets)

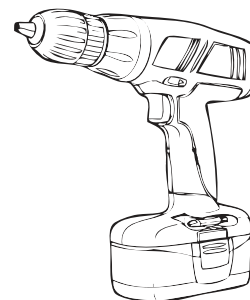
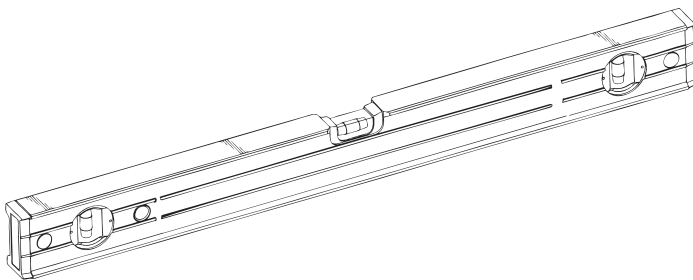


x4 (40mm brass screws)

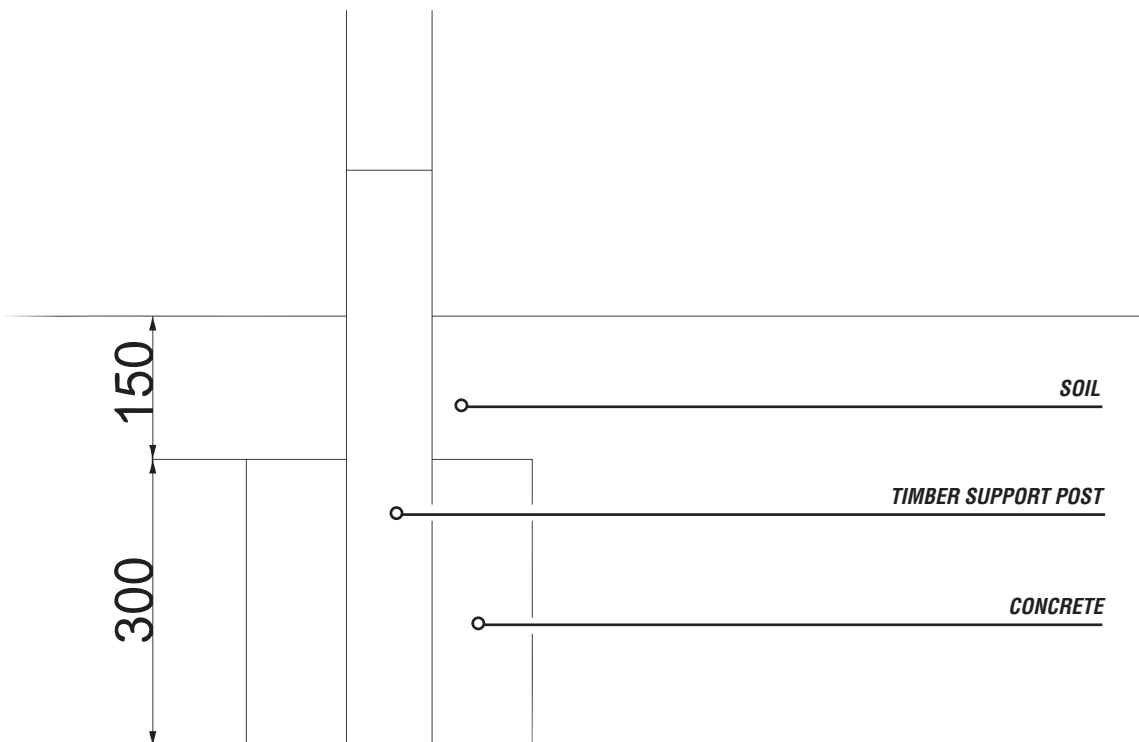
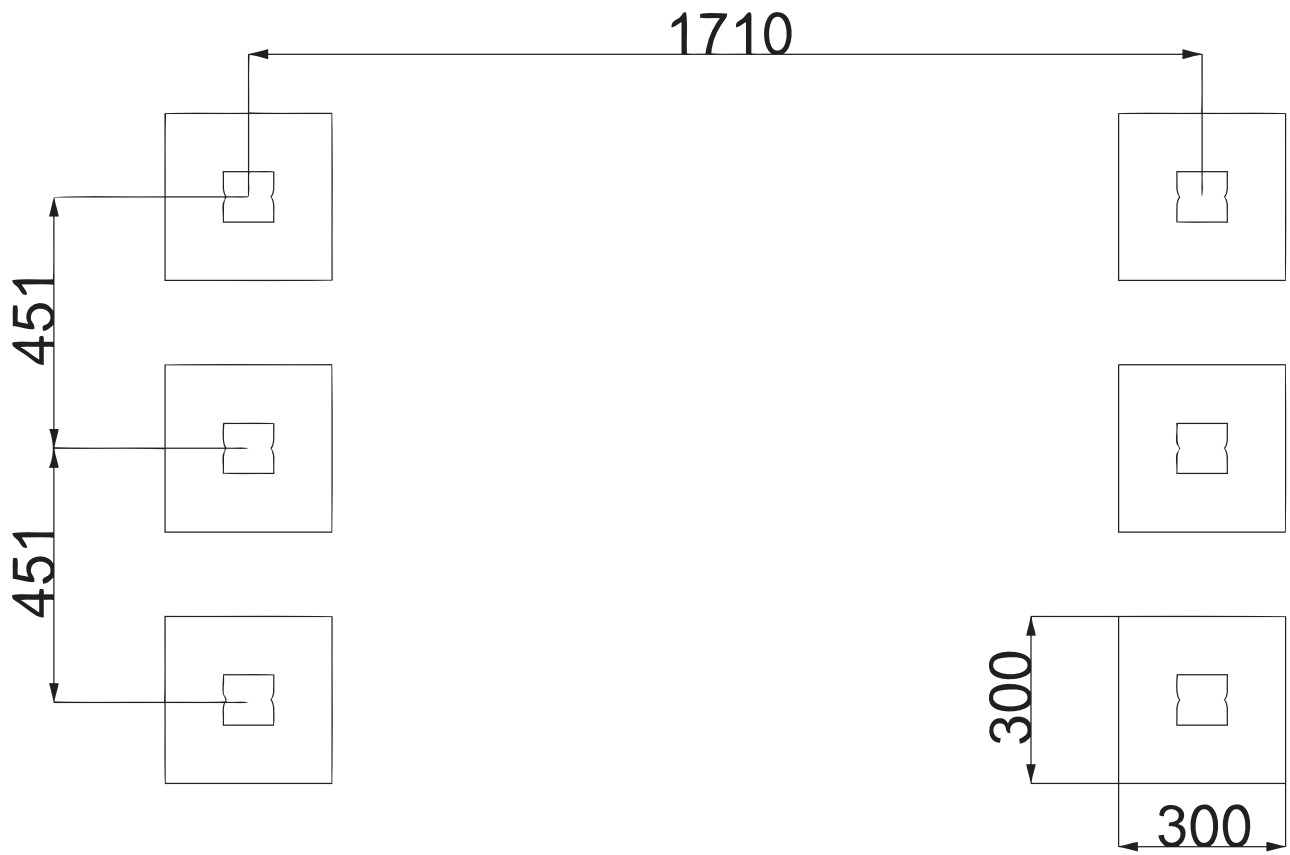
x4
expansion bolts / excalibur bolts
To be used to secure seats onto tarmac



TOOLS required



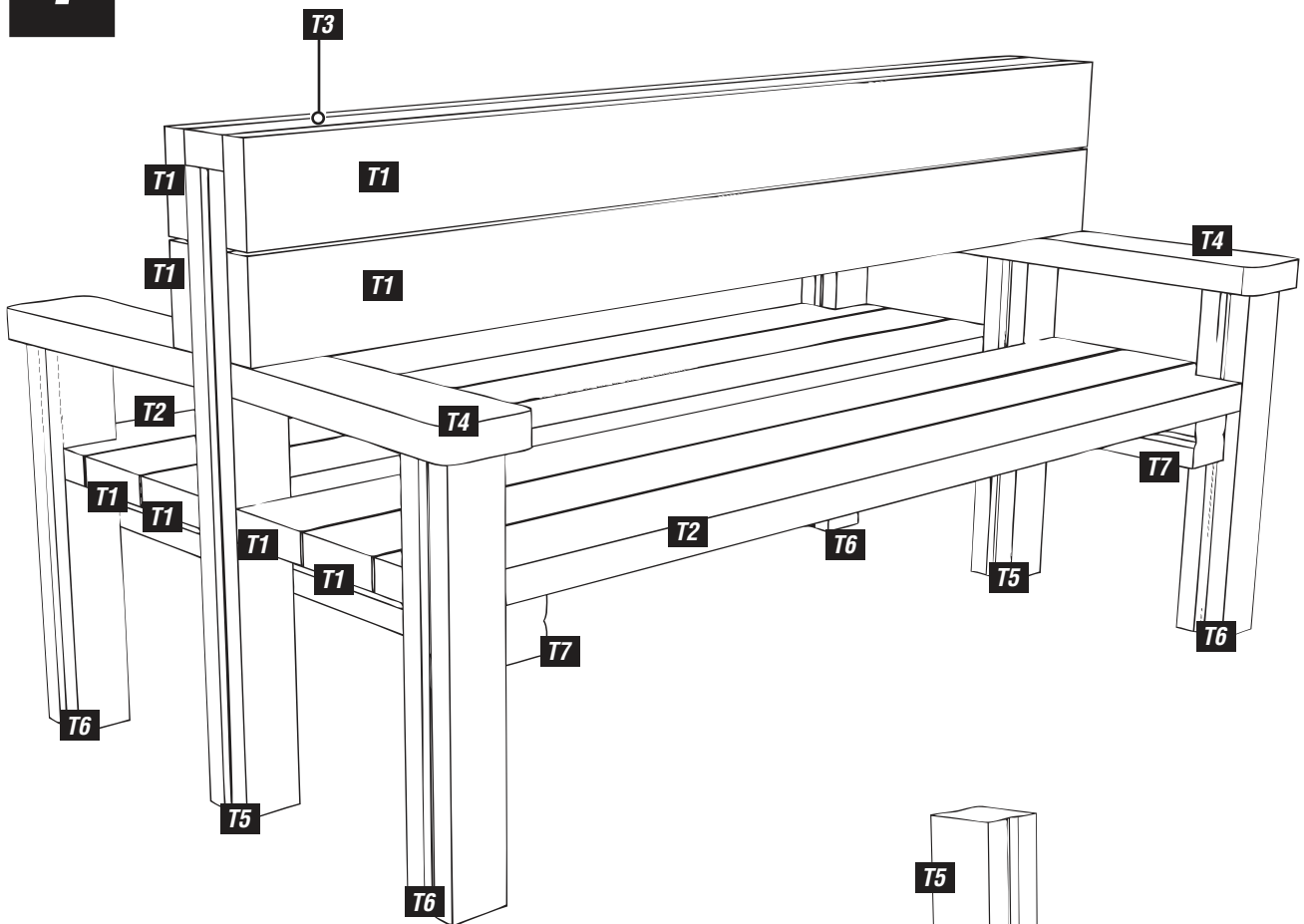
Foundation Details



Assembly Instructions

1

If the bench IS pre-assembled **JUMP TO STEP 7**

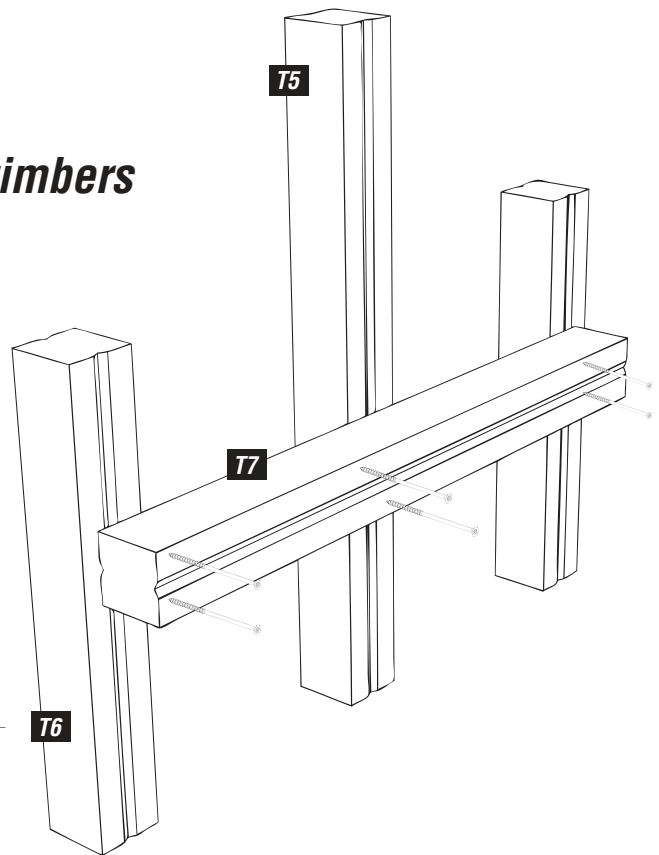
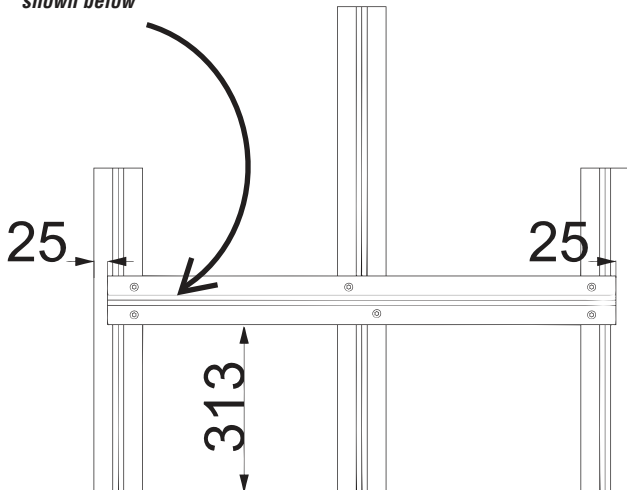


2

Position the T5, T6 & T7 timbers

Using 180mm brass screws

*Ensure screws are as shown below

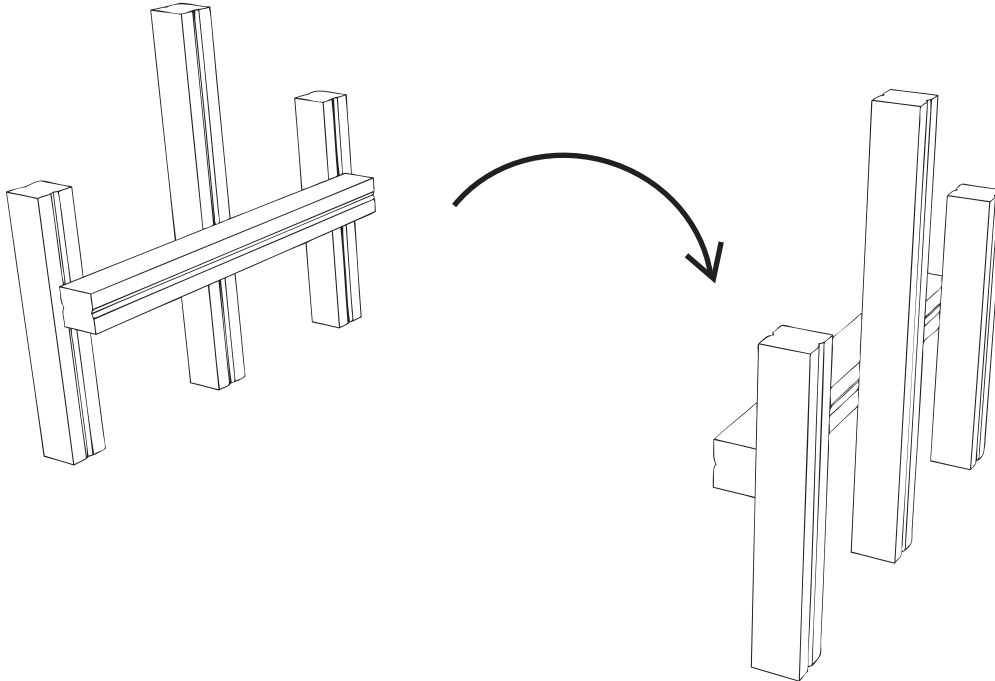


Measurement shown is from finished ground level - if legs are extended to allow concrete foundations ADD 450mm (TOTAL 763mm)

Assembly Instructions

3

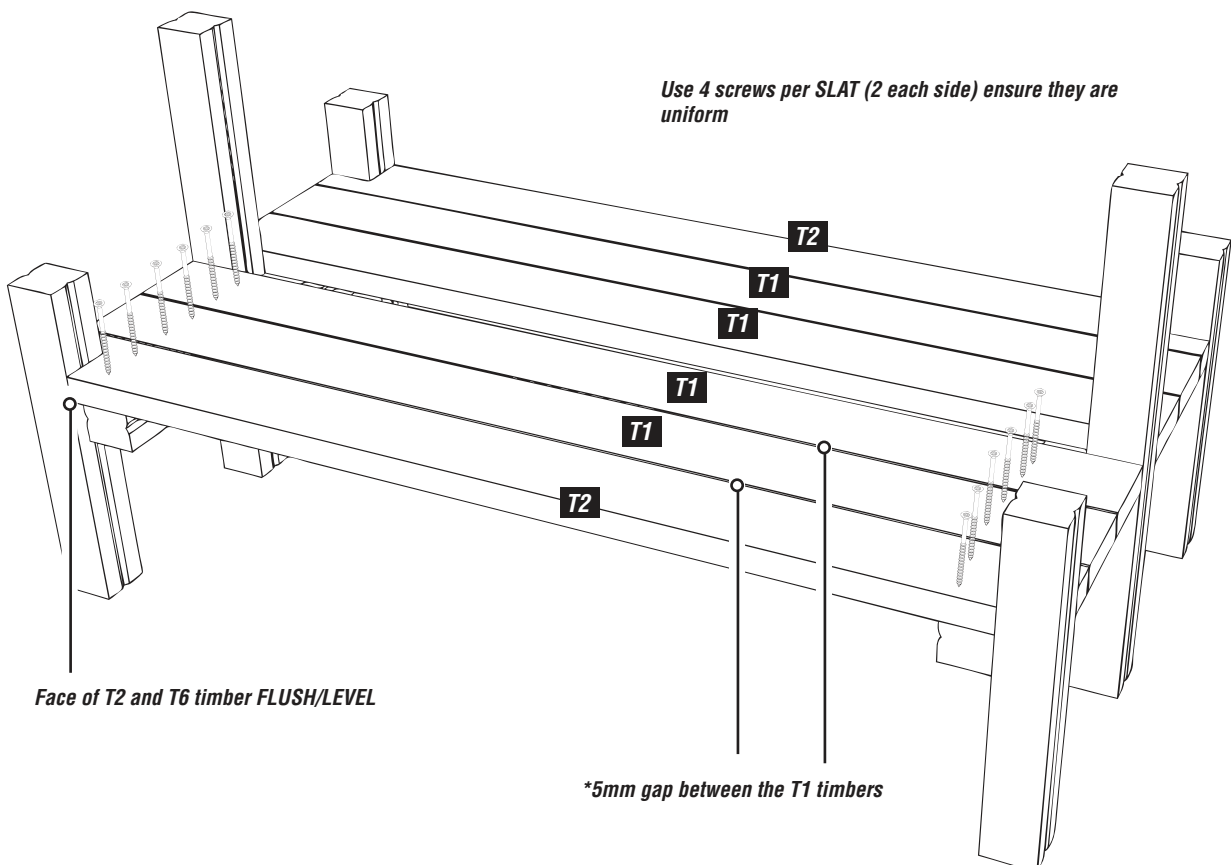
Repeat for the second set of T5, T6 & T7 timbers



4

Attach the T1 & T2 timbers to the T7 slat supports

Using 120mm brass screws

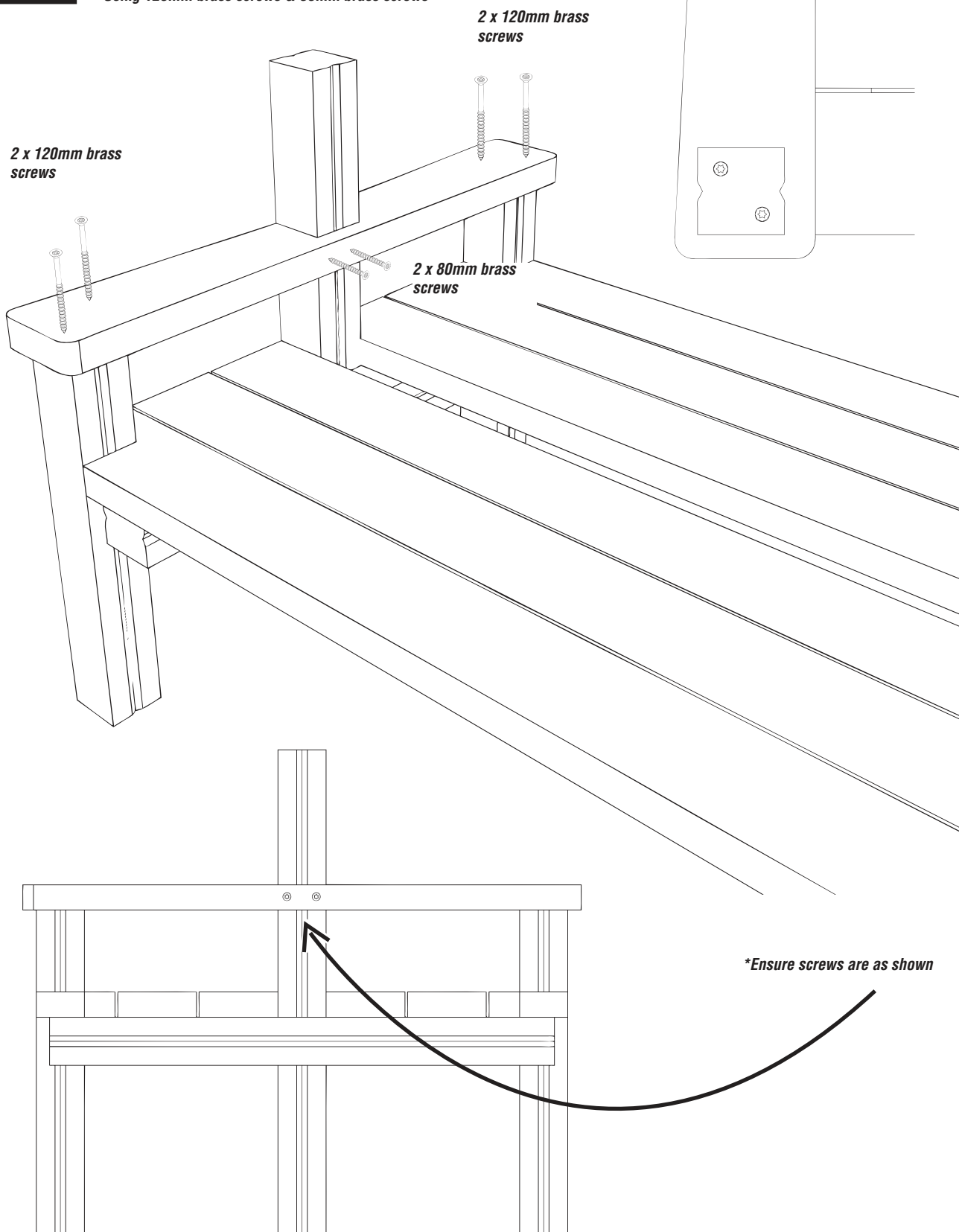


Assembly Instructions

5

Attach the T4 (arm rests)

Using 120mm brass screws & 80mm brass screws

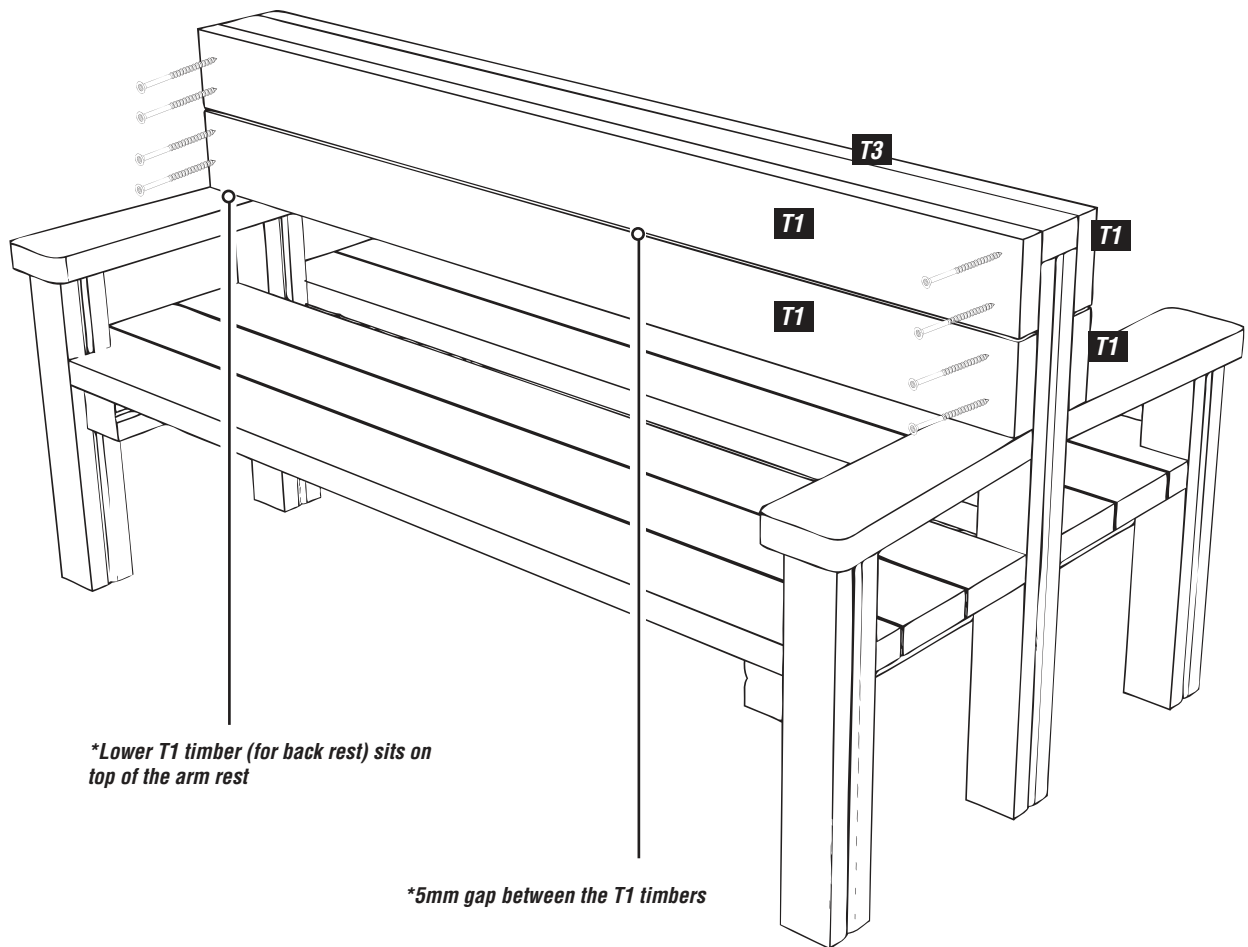


Assembly Instructions

6

Attach the T1 & T3 timbers to the T5 seat supports

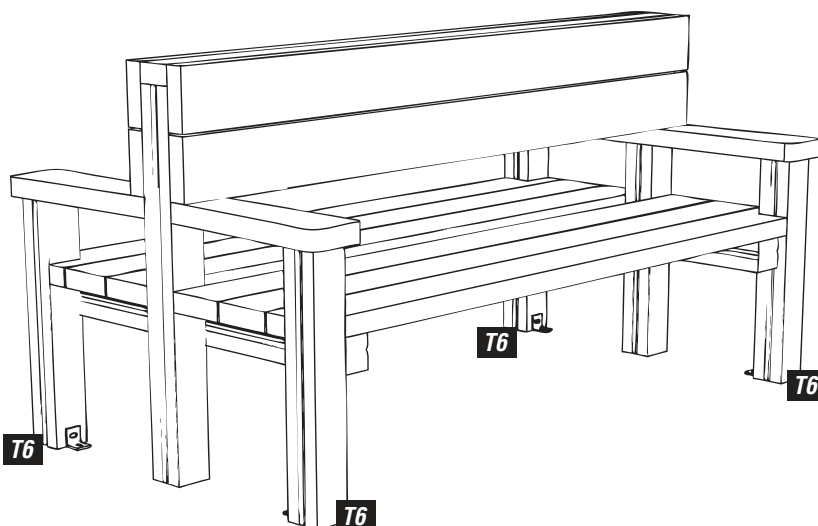
Using 120mm brass screws



7

Install the ASSEMBLED BENCH

Using ANGLE CLEATS with 40mm brass screws and EXPANSION BOLTS or CONCRETE INTO GROUND as per foundation drawings



Follow the FOUNDATION DETAILS on Page 4

OR

Position angle cleats on the INSIDE of each T6 SUPPORT

- Use 40mm brass screws to attach angle cleat to the support legs

- Use expansion bolts or EXCALIBUR bolts to secure the bolts to the concrete / tarmac