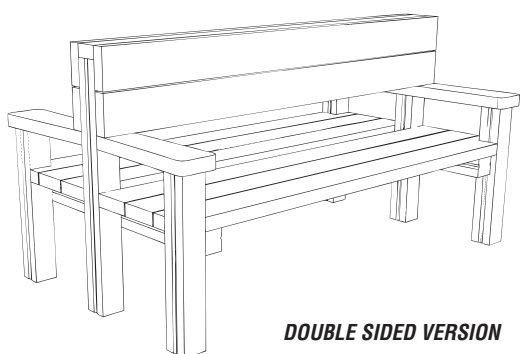
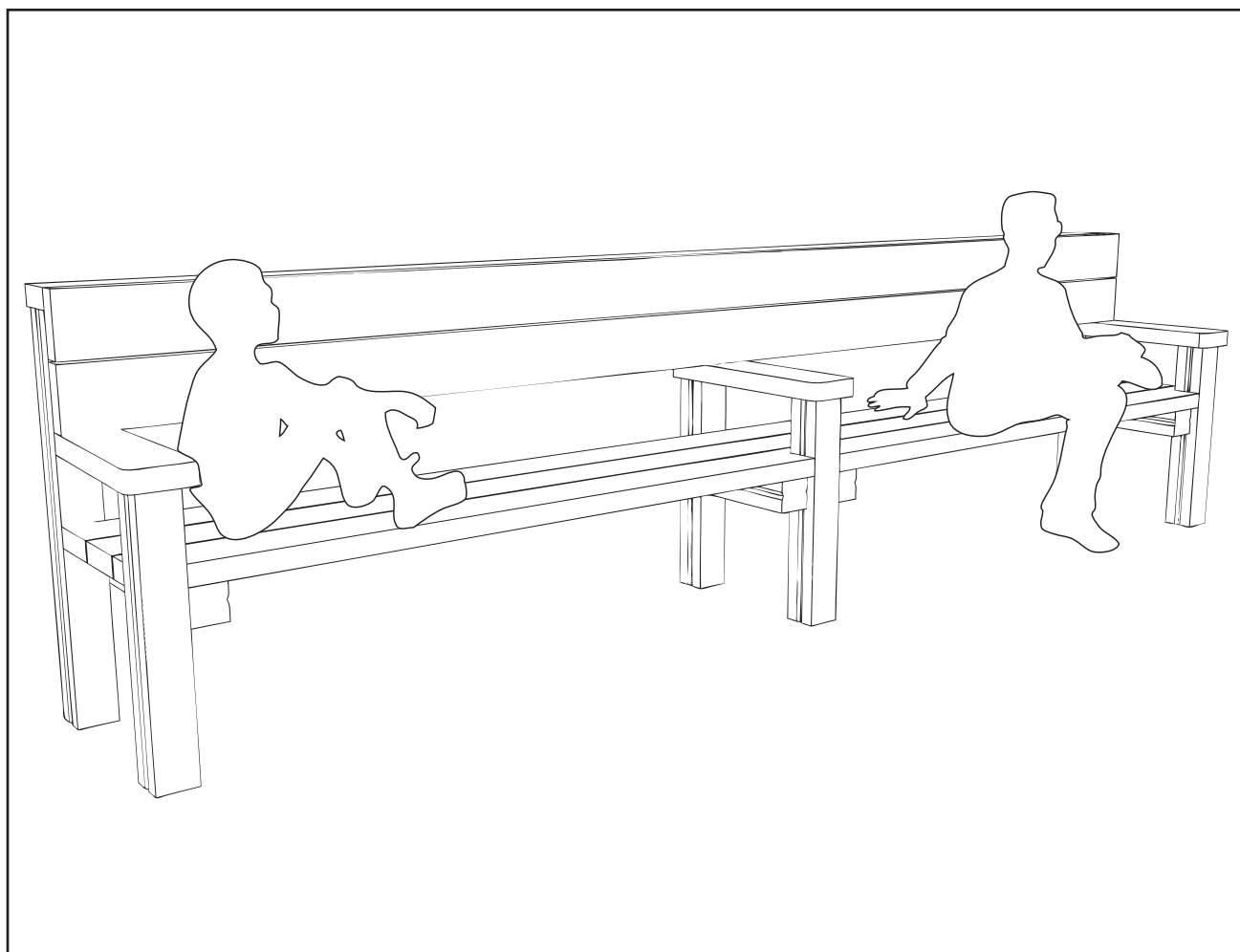


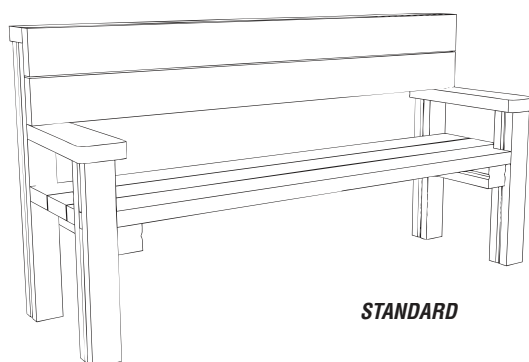
# **PARK BENCH - DOUBLE LENGTH**

## ***Assembly Instructions***

**creative  
play**



**DOUBLE SIDED VERSION**

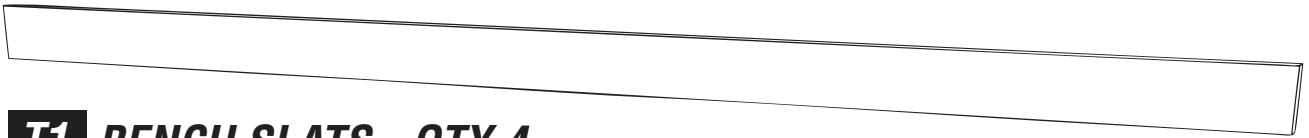


**STANDARD**

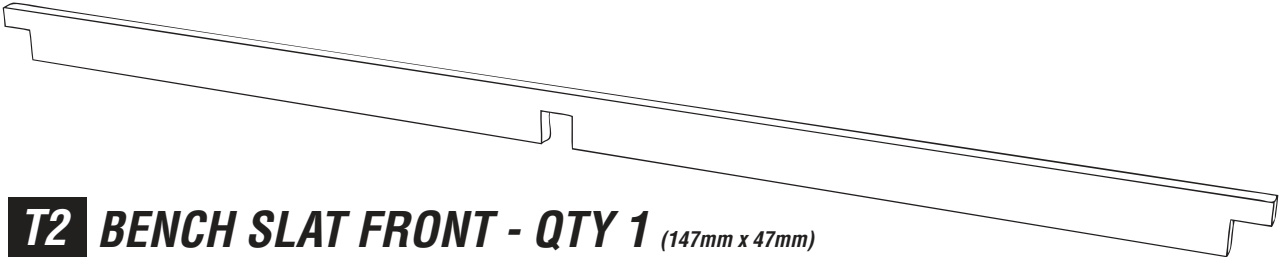
**IMPORTANT** - If foundation are required support legs will be have been extended 450mm

# PARTS required

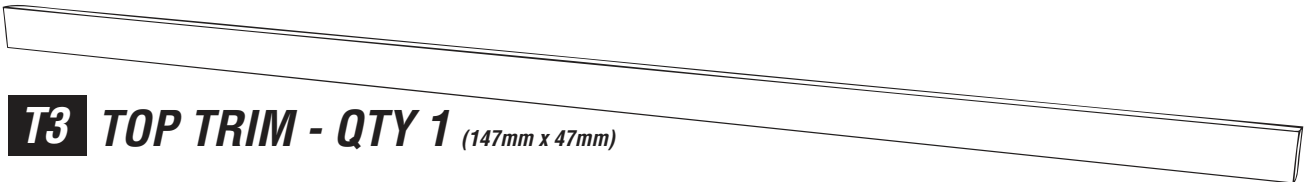
---



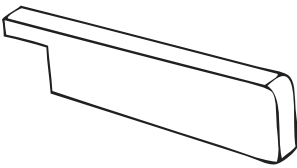
**T1 BENCH SLATS - QTY 4** (147mm x 47mm)



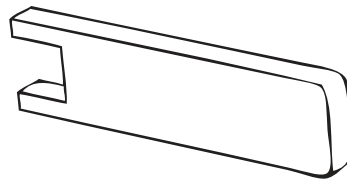
**T2 BENCH SLAT FRONT - QTY 1** (147mm x 47mm)



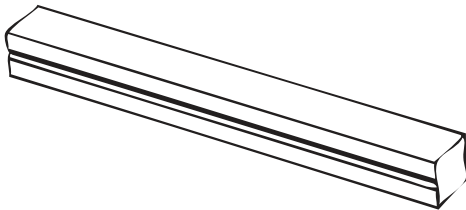
**T3 TOP TRIM - QTY 1** (147mm x 47mm)



**T4a ARM RESTS - QTY 2** (147mm x 47mm)



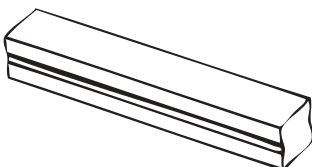
**T4b ARM REST - QTY 1** (147mm x 47mm)



*\*IMPORTANT - if foundations required additional 450mm included*

*If freestanding use angle cleats and expansion bolts/excalibur bolts to secure seats onto tarmac*

**T5 BENCH SUPPORT (BACK) - QTY 3** (90mm x 90mm)



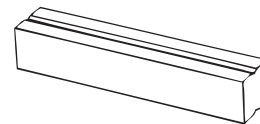
*\*IMPORTANT - if foundations required additional 450mm included*

*If freestanding use angle cleats and expansion bolts/excalibur bolts to secure seats onto tarmac*

**T6 BENCH SUPPORT (FRONT) - QTY 3** (90mm x 90mm)

# PARTS required continued...

## **T7** BENCH SLAT SUPPORTS - QTY 4 (90mm x 90mm)



**x16** (180mm brass screws)



**x48** (120mm brass screws)



**x8** (80mm brass screws)

## **OPTIONAL - If installed onto tarmac/concrete**

NOT REQUIRED IF SUPPORT POSTS HAVE BEEN EXTENDED FOR FOUNDATIONS

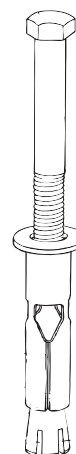


**x6** (angle cleats/brackets)

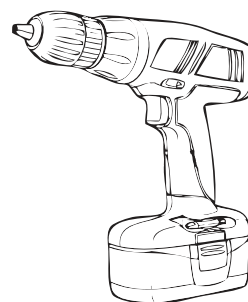
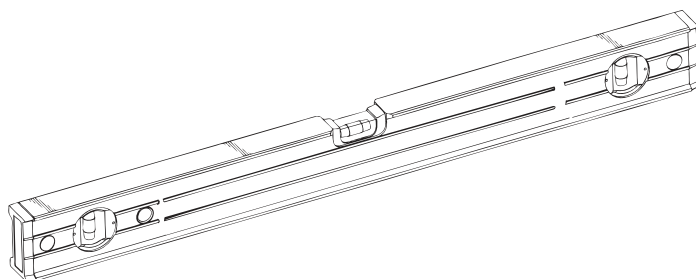


**x6** (40mm brass screws)

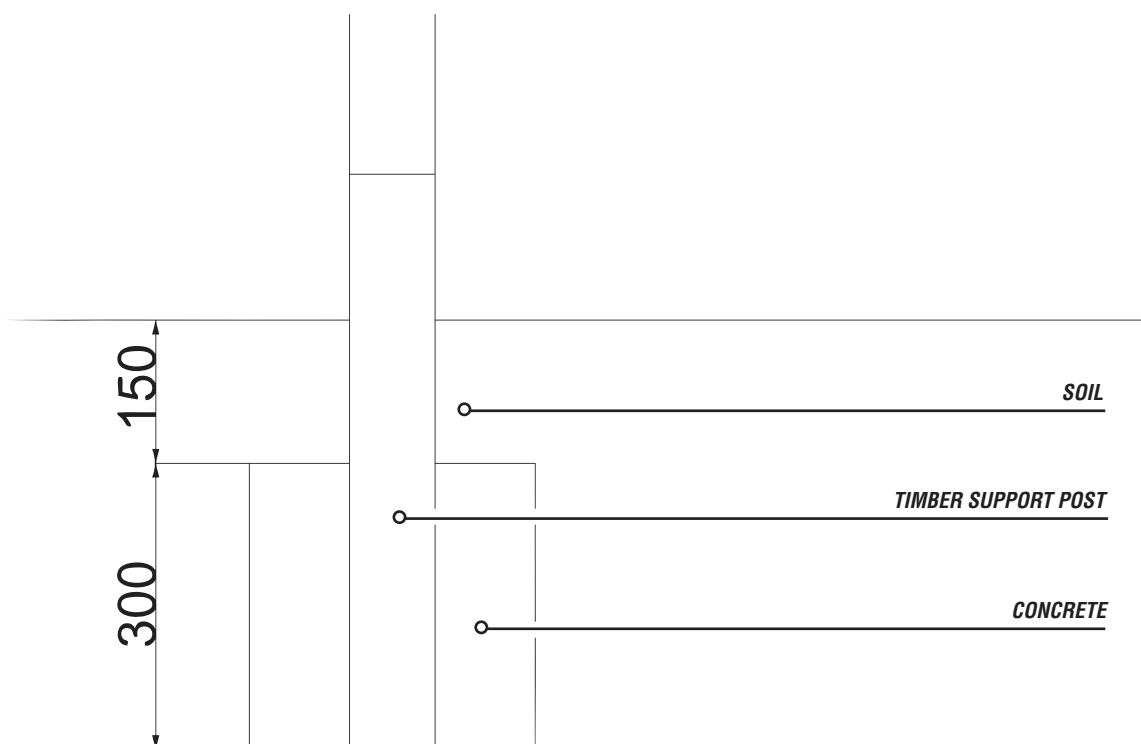
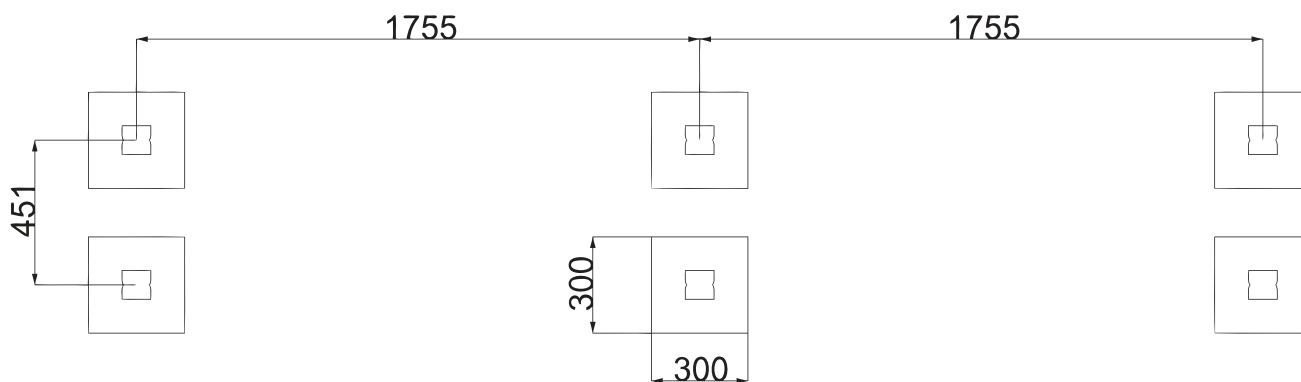
**x6**  
expansion bolts / excalibur bolts  
To be used to secure seats onto tarmac



## TOOLS required



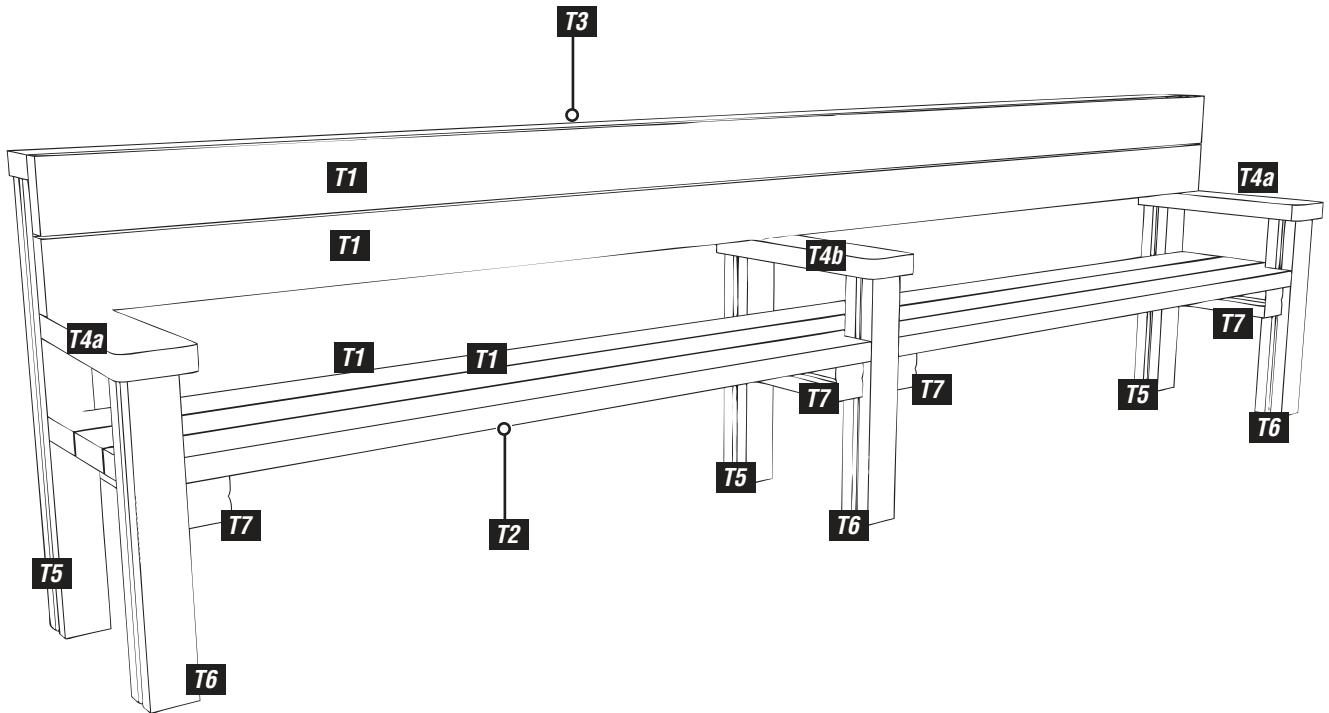
# Foundation Details



# Assembly Instructions

**1**

If the bench IS pre-assembled **JUMP TO STEP 7**

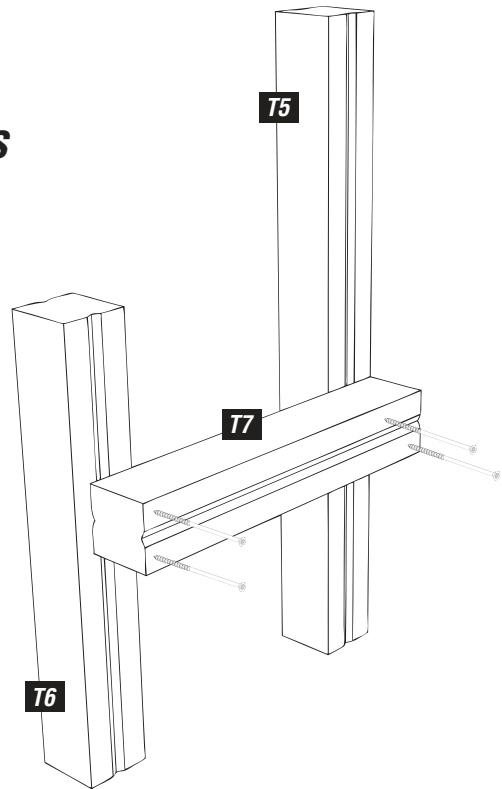
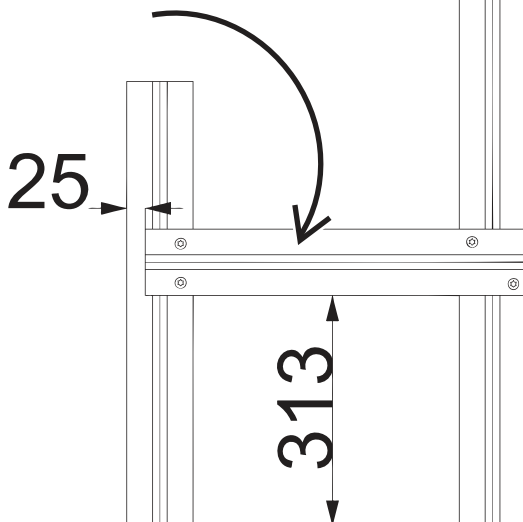


**2**

**Position the T5, T6 & T7 timbers**

Using 180mm brass screws

\*Ensure screws are as shown below

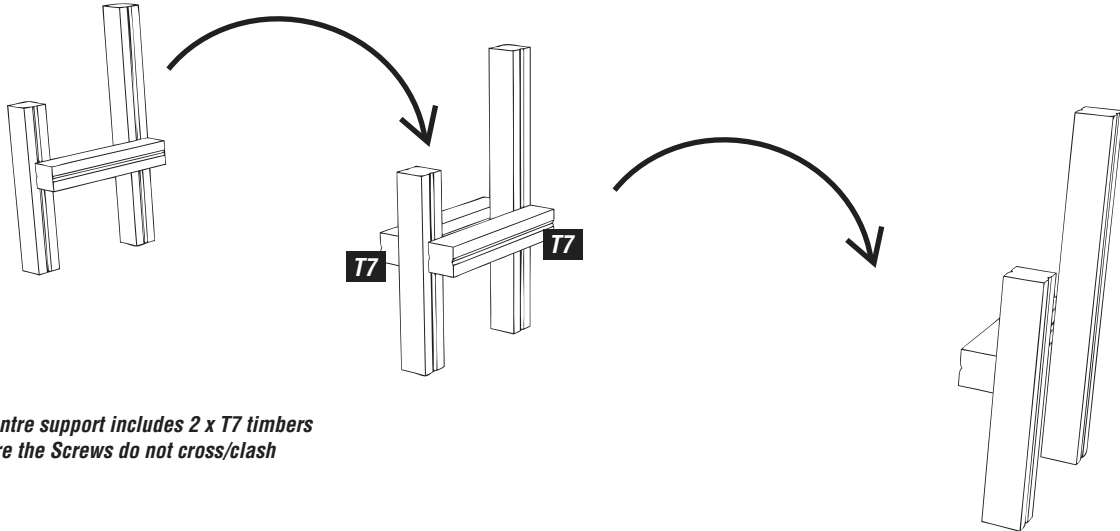


Measurement shown is from finished ground level - if legs are extended to allow concrete foundations ADD 450mm (TOTAL 763mm)

# Assembly Instructions

**3**

**Repeat for the second set of T5, T6 & T7 timbers**

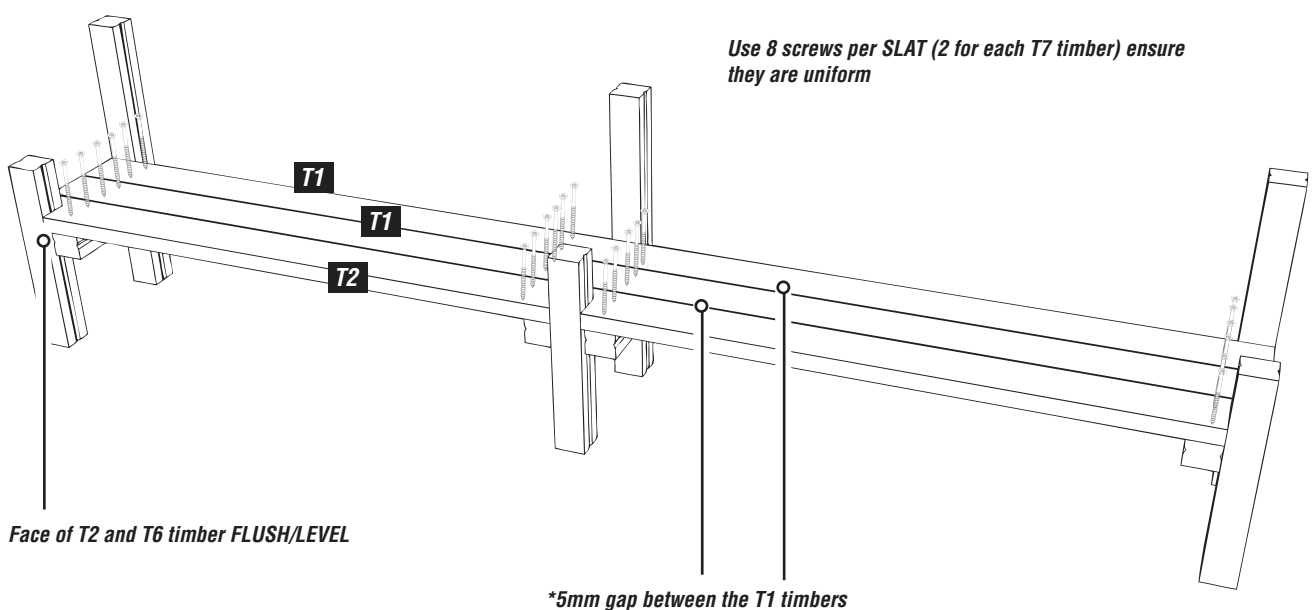


*The centre support includes 2 x T7 timbers  
\*Ensure the Screws do not cross/clash*

**4**

**Attach the T1 & T2 timbers to the T7 slat supports**

*Using 120mm brass screws*



*Use 8 screws per SLAT (2 for each T7 timber) ensure they are uniform*

*Face of T2 and T6 timber FLUSH/LEVEL*

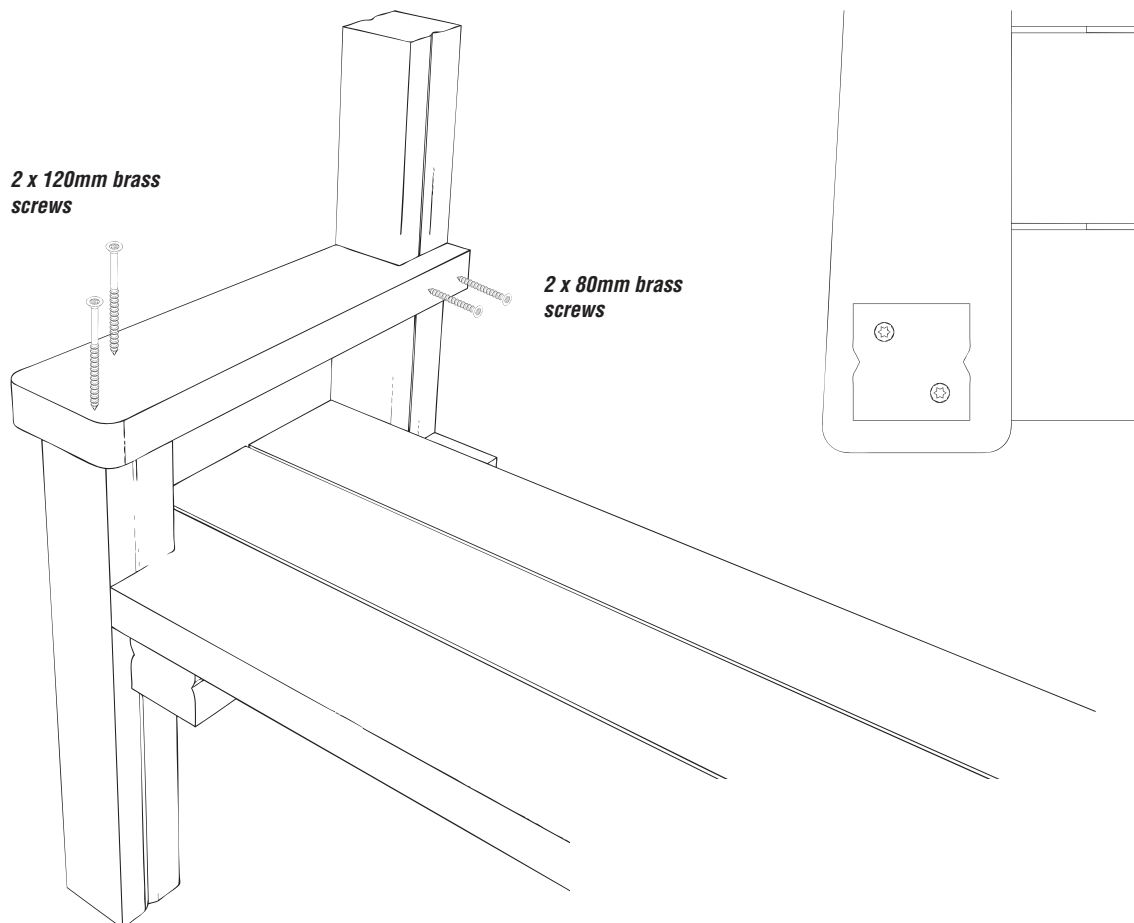
*\*5mm gap between the T1 timbers*

# Assembly Instructions

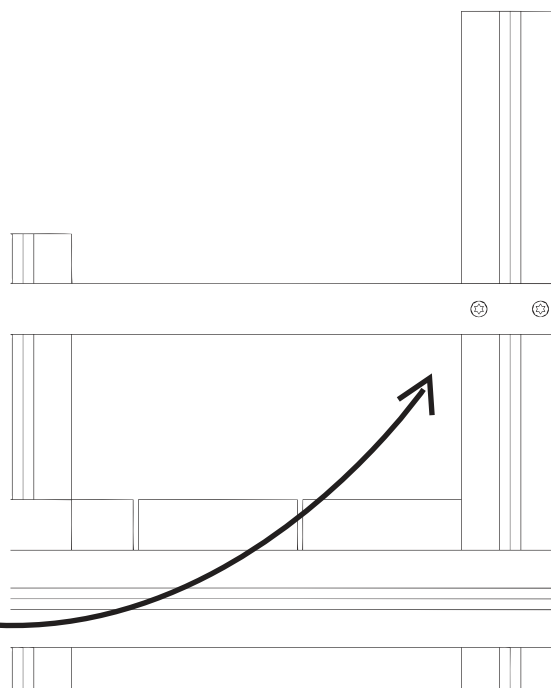
**5**

## Attach the T4 (arm rests)

Using 120mm brass screws & 80mm brass screws



*\*Ensure screws are as shown*



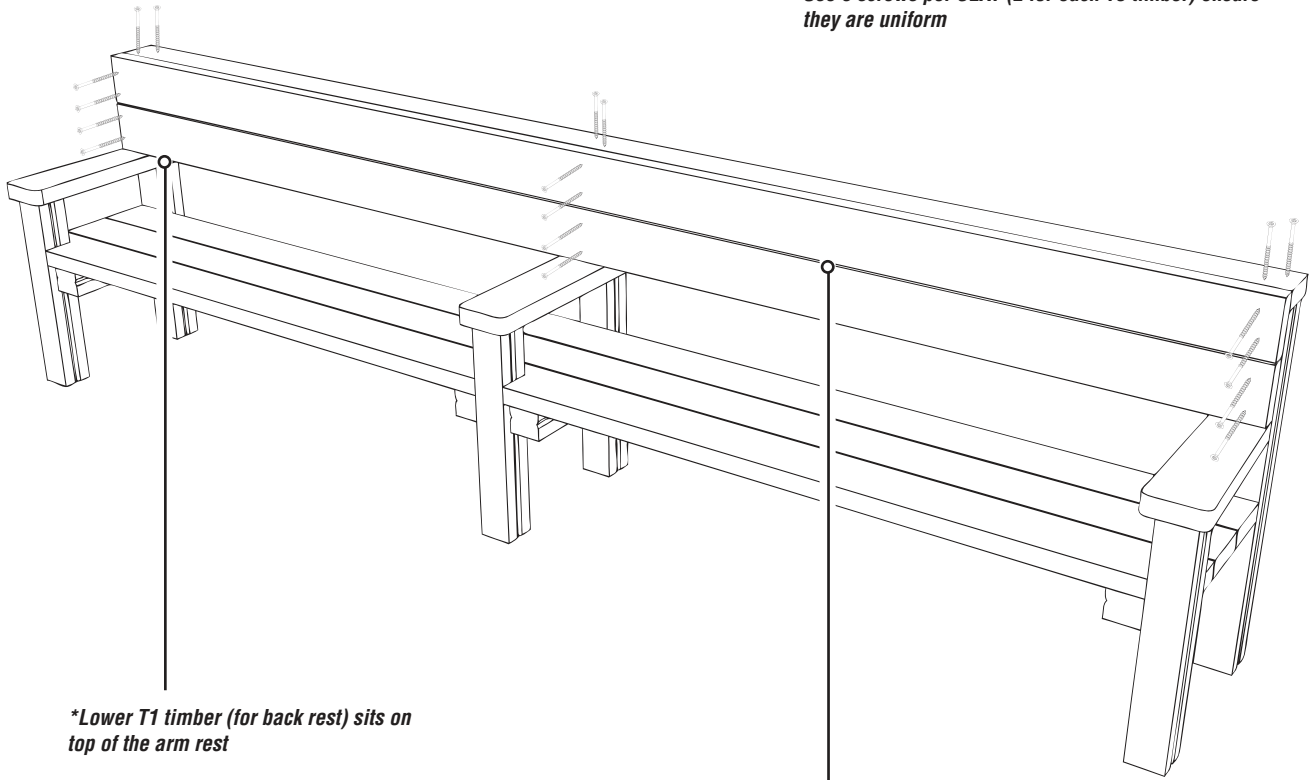
# Assembly Instructions

**6**

## Attach the T1 & T3 timbers to the T5 seat supports

Using 120mm brass screws

Use 6 screws per SLAT (2 for each T5 timber) ensure they are uniform



\*Lower T1 timber (for back rest) sits on top of the arm rest

\*5mm gap between the T1 timbers

**7**

## Install the ASSEMBLED BENCH

Using ANGLE CLEATS with 40mm brass screws and EXPANSION BOLTS or CONCRETE INTO GROUND as per foundation drawings

Follow the FOUNDATION DETAILS on Page 4

**OR**

Position angle cleats on the INSIDE of each SUPPORT

- Use 40mm brass screws to attach angle cleat to the support legs

- Use expansion bolts or EXCALIBUR bolts to secure the bolts to the concrete / tarmac

