

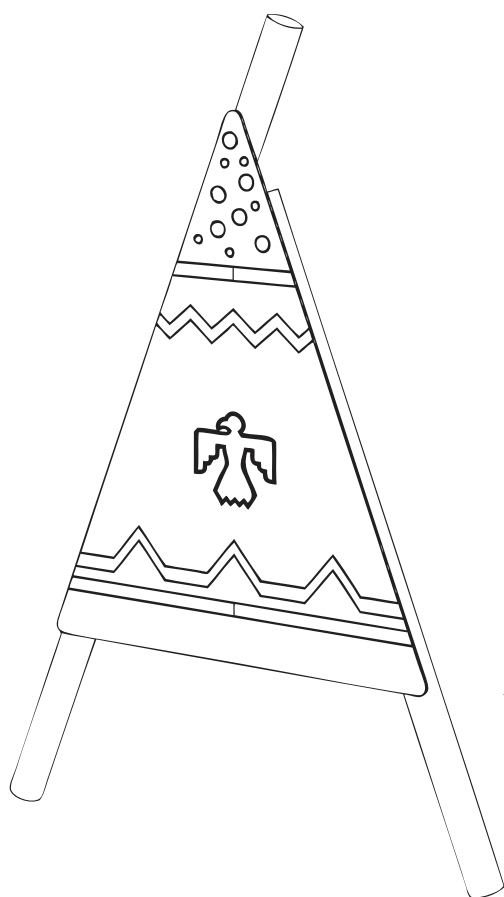
TEEPEE

Assembly Instructions

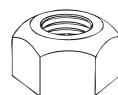
**creative
play**



PARTS required

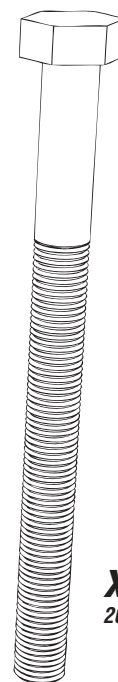


x6 (covered end R-60)



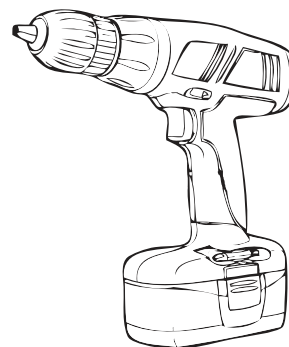
x3

x3 (pre-assembled)

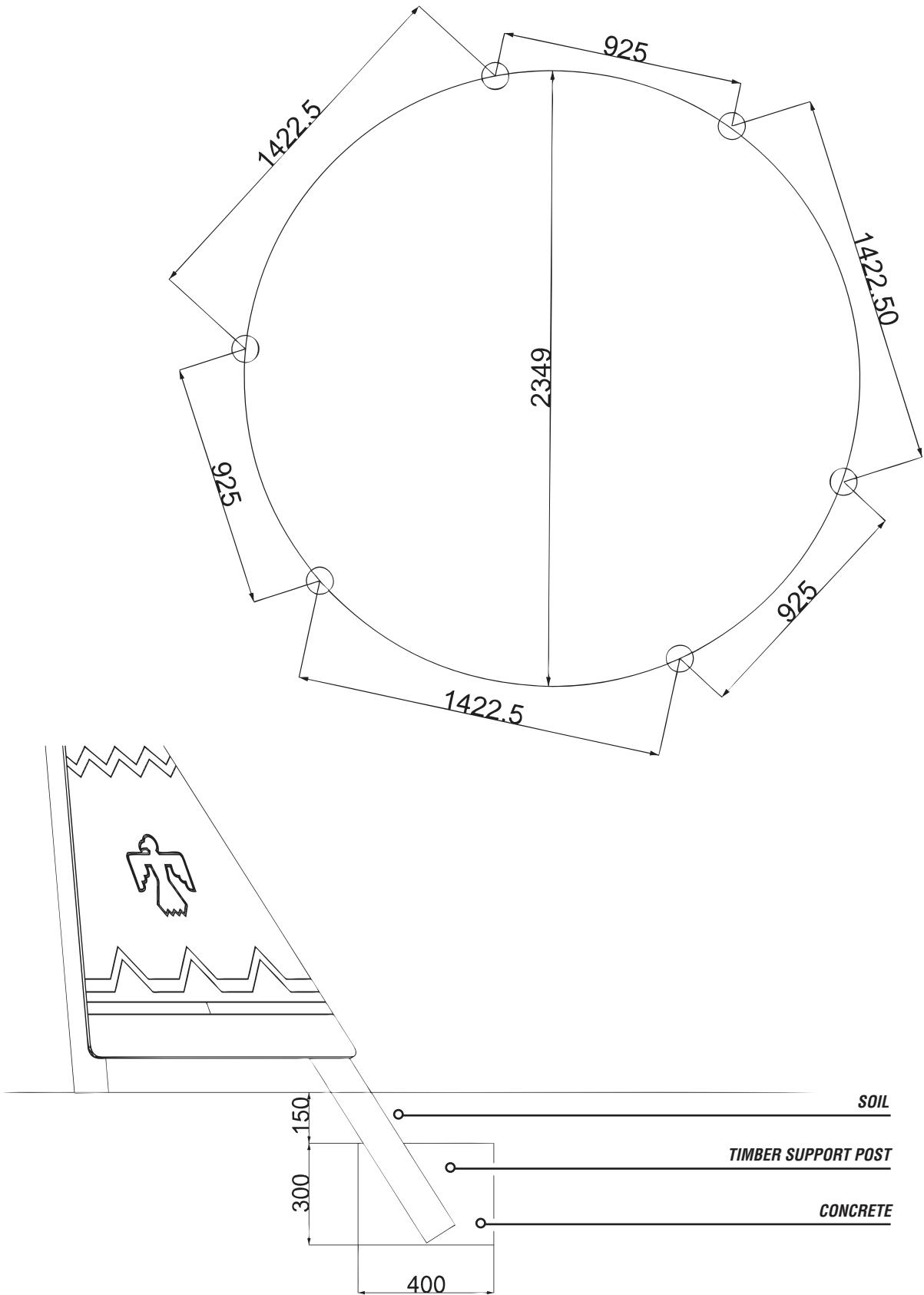


x3 M12
200mm Hex bolts

TOOLS required

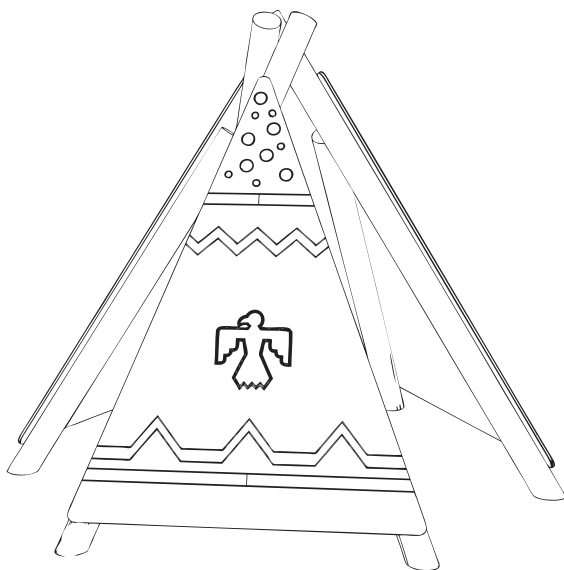


Foundation Details



Assembly Instructions

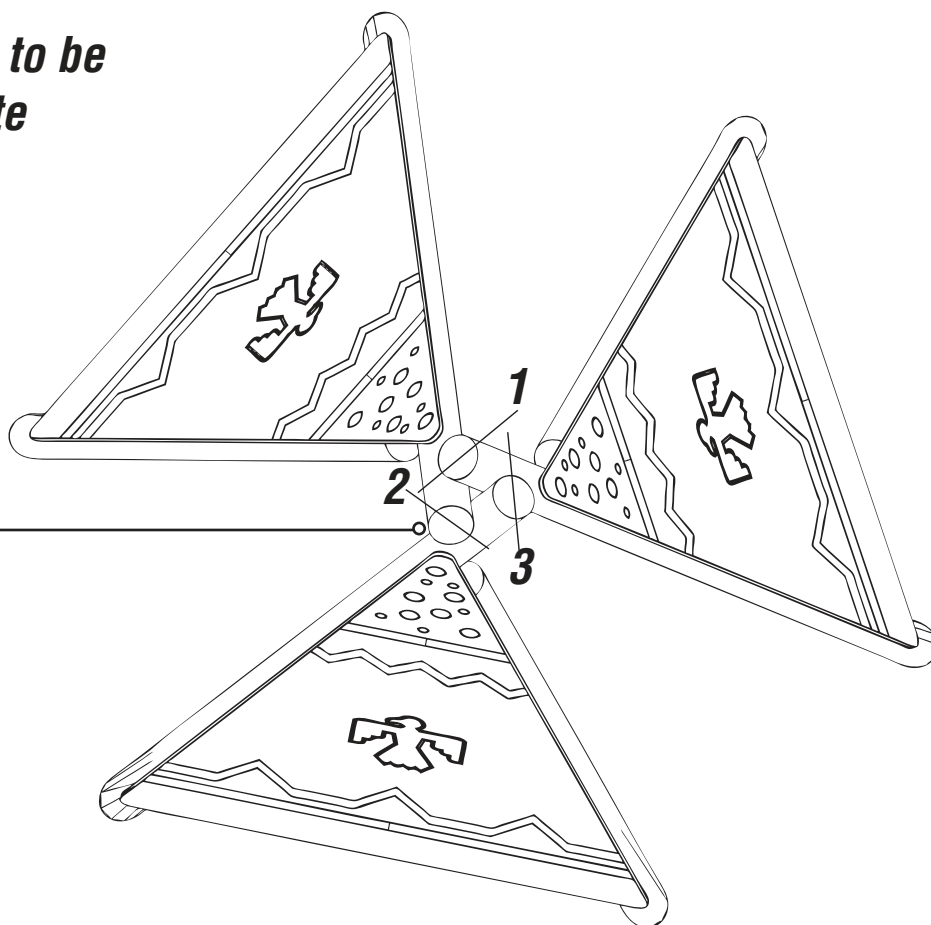
1



Position the pre-assembled panels

2

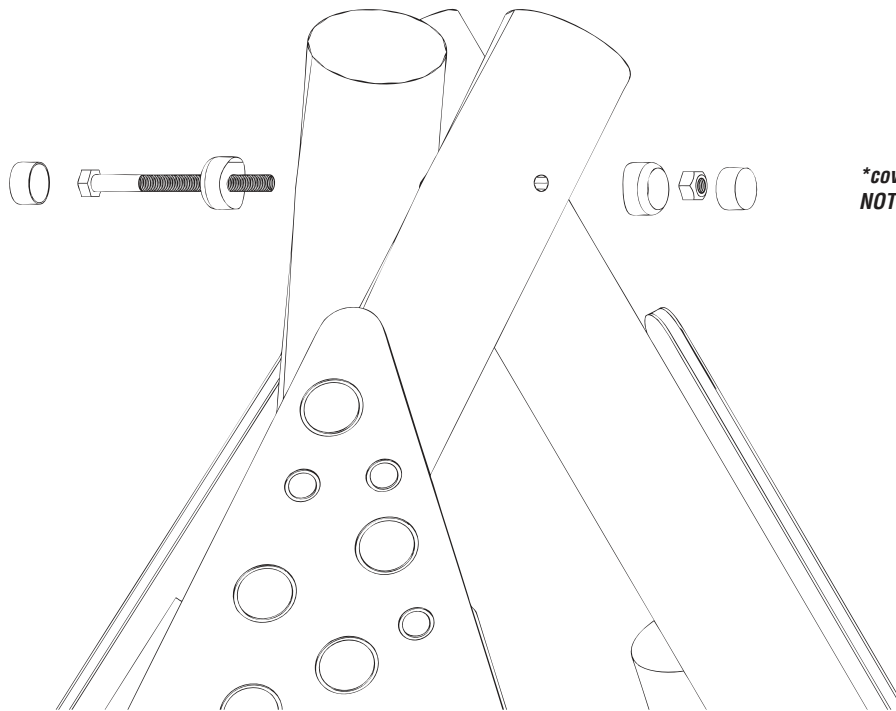
12mm holes to be drilled on site



**Holes to be drilled at different heights to ensure holes do not cross*

Assembly Instructions

3



4

