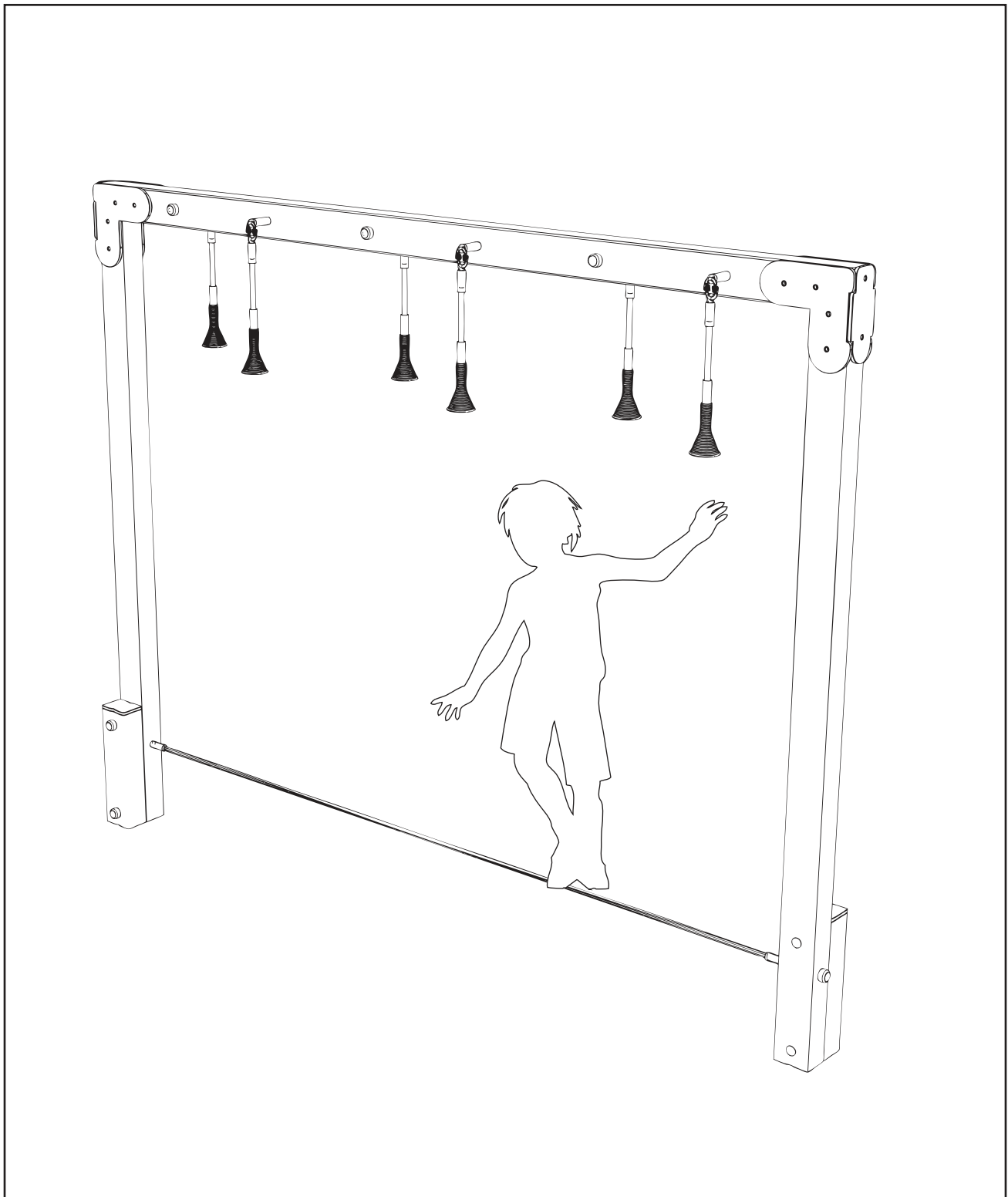
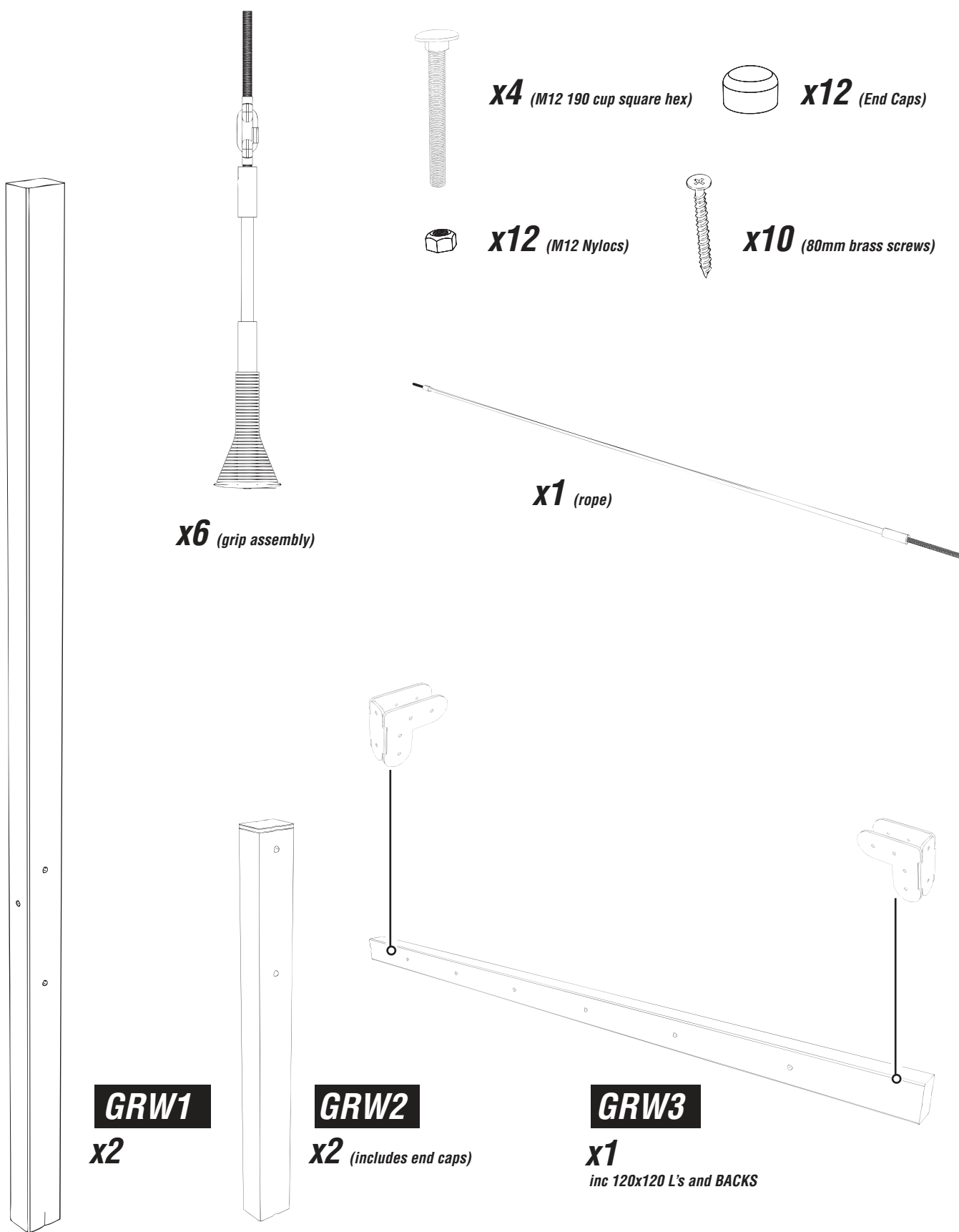


GRIPPED ROPE WALK

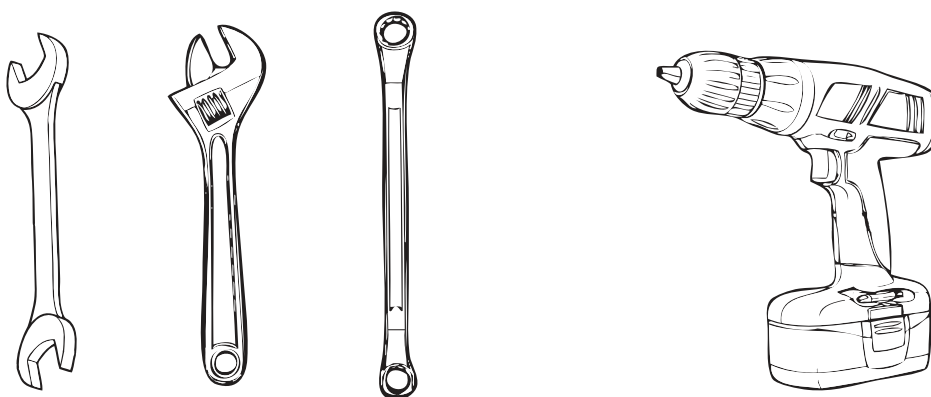
Assembly Instructions



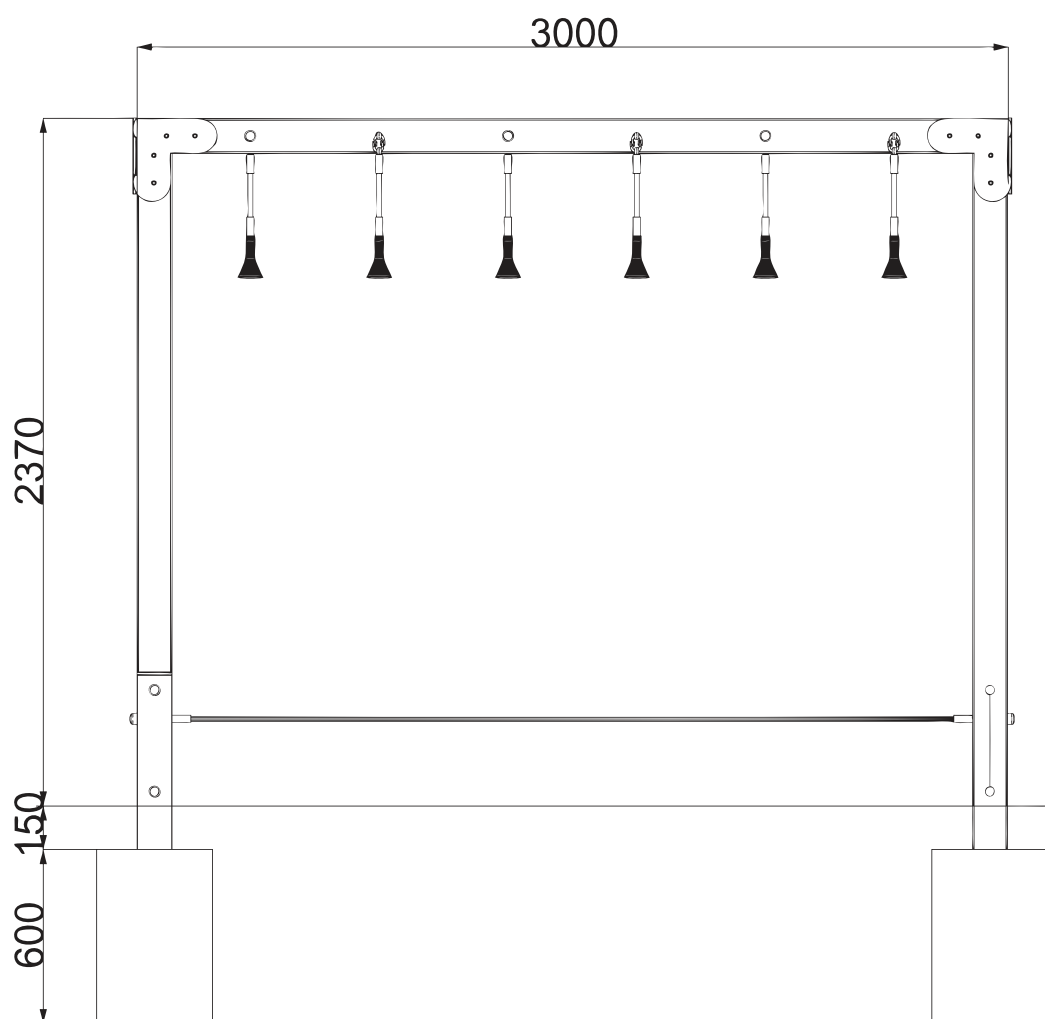
PARTS required



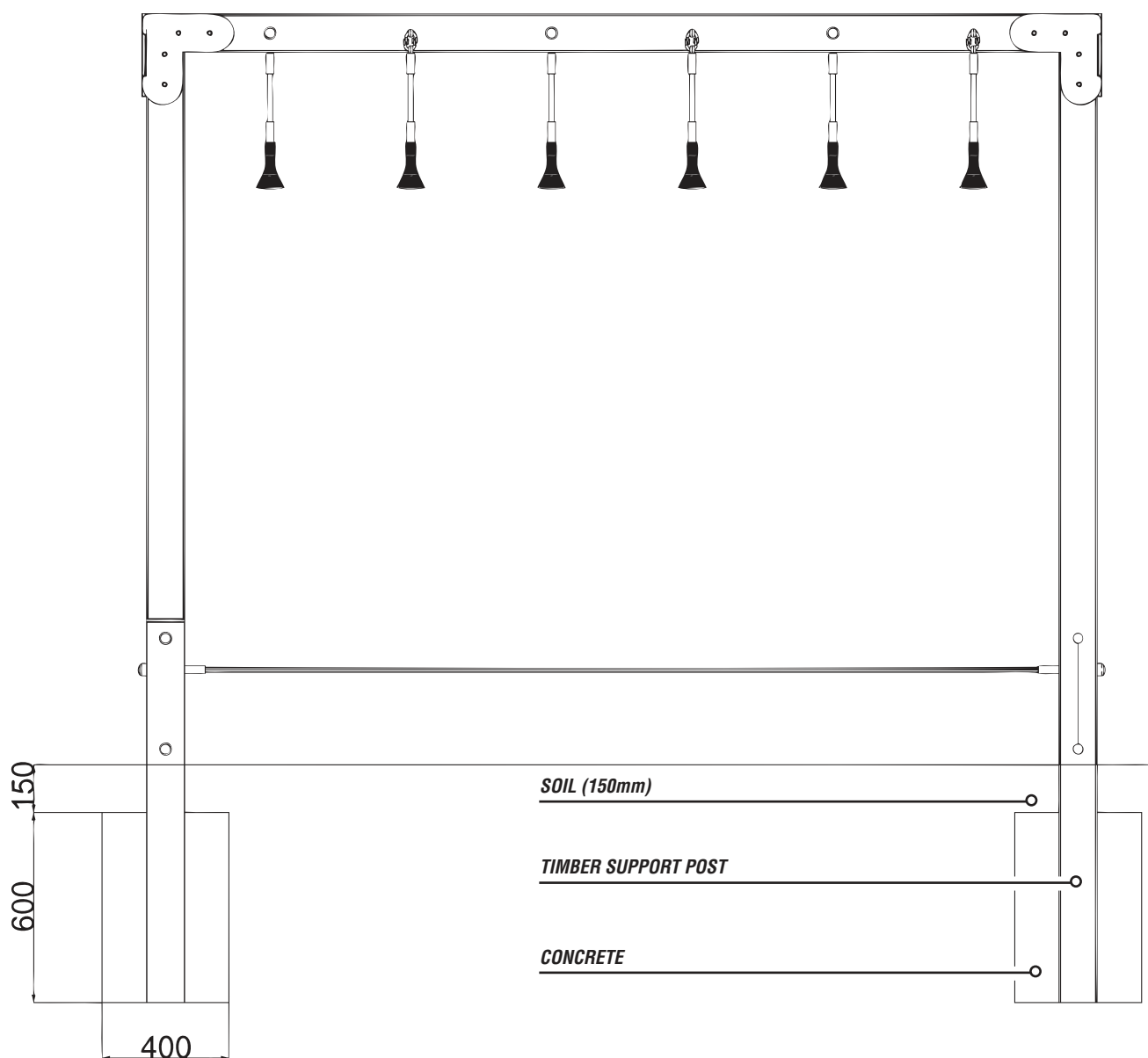
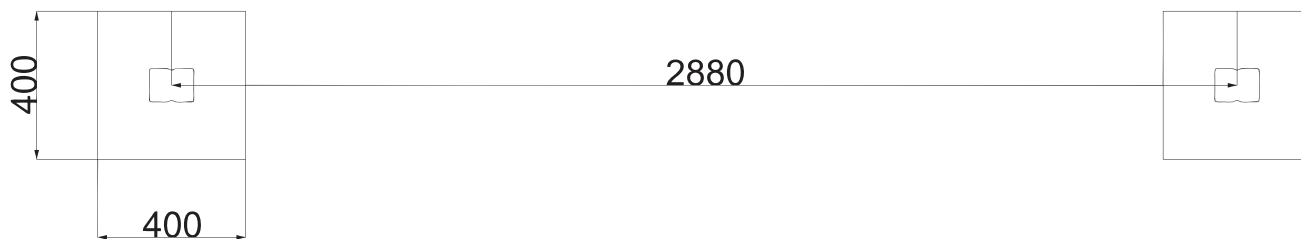
TOOLS required



Dimensions



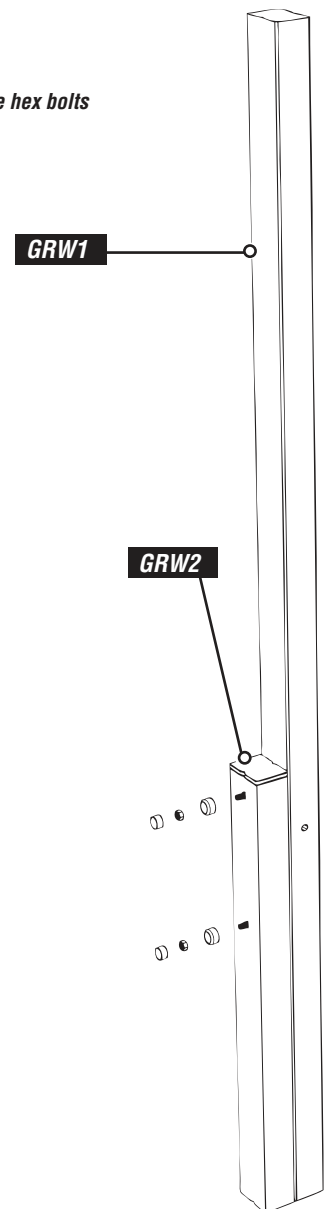
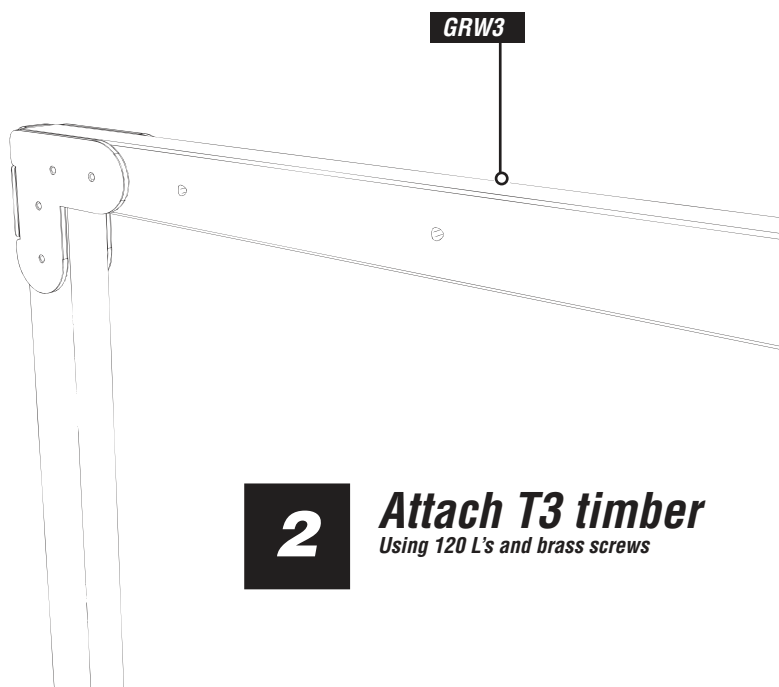
Foundation Details



Assembly Instructions

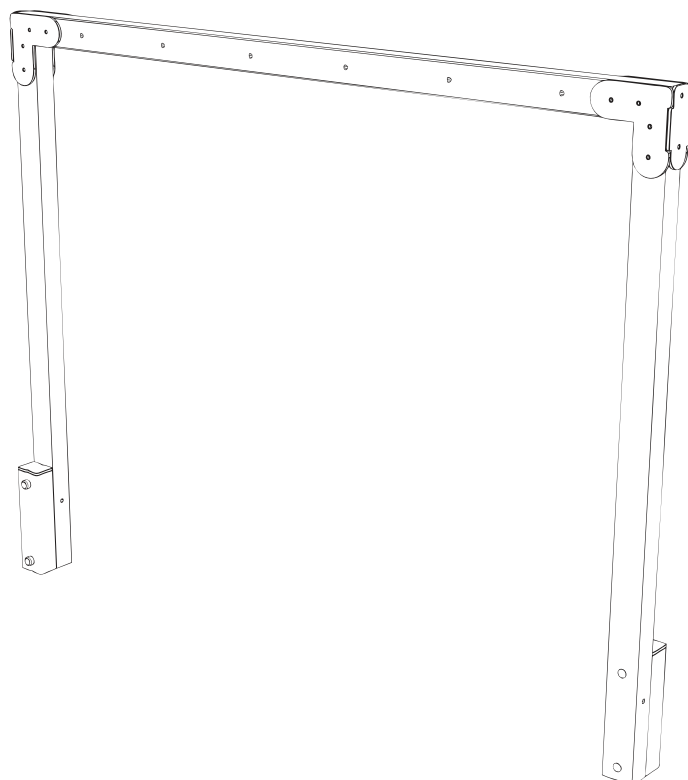
1

Bolt GRW1 & GRW2 timbers *Using M12 190 cup square hex bolts*



2

Attach T3 timber
Using 120 L's and brass screws

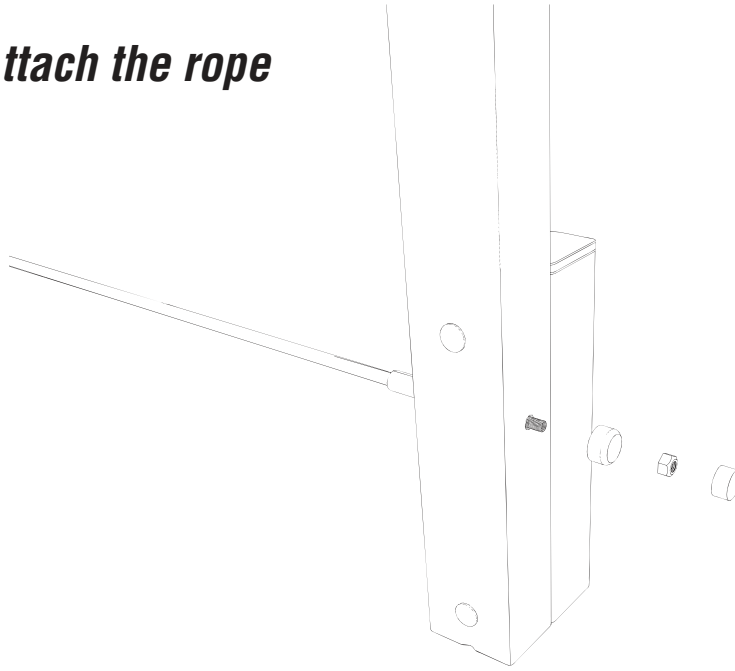


**Attach the remaining
Playtec 120 L**

Assembly Instructions

3

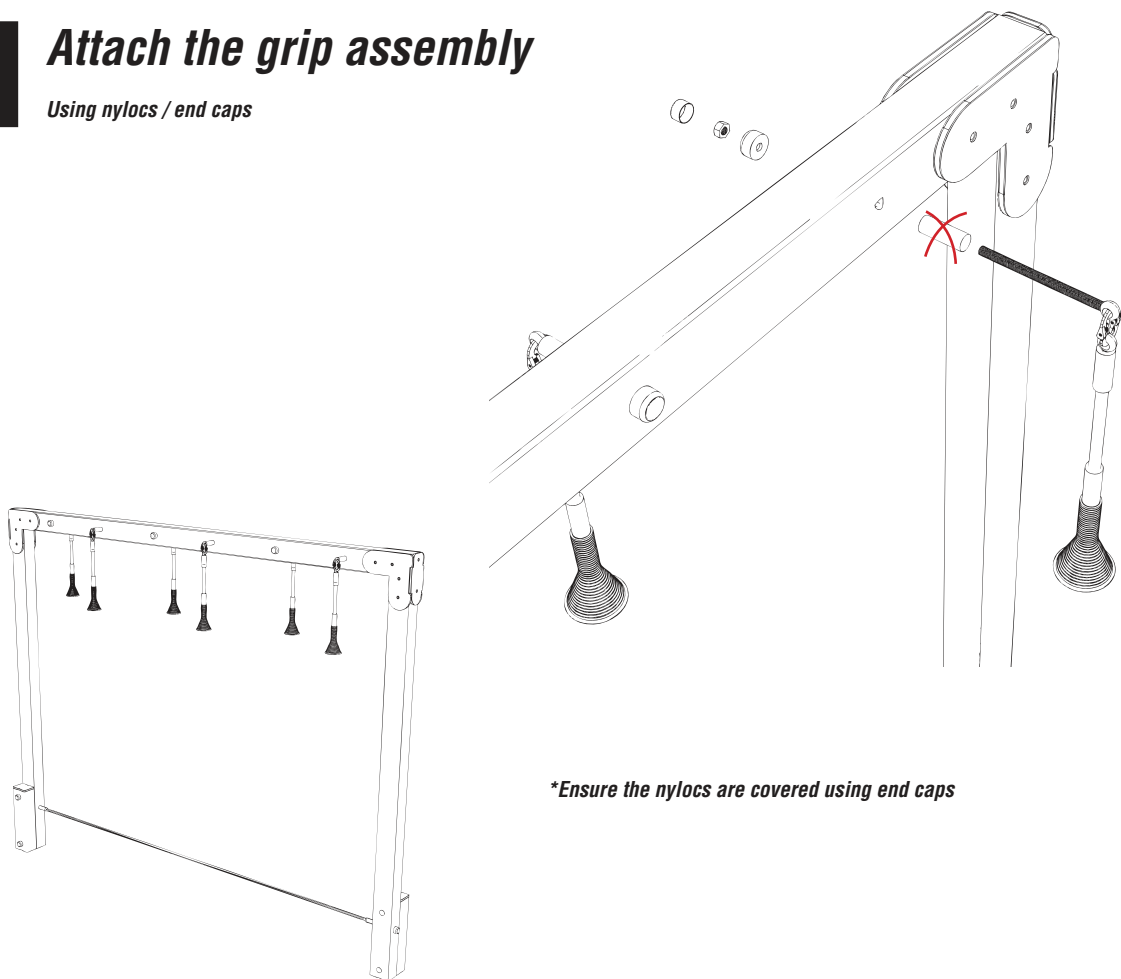
Attach the rope



4

Attach the grip assembly

Using nylocs / end caps



**Ensure the nylocs are covered using end caps*