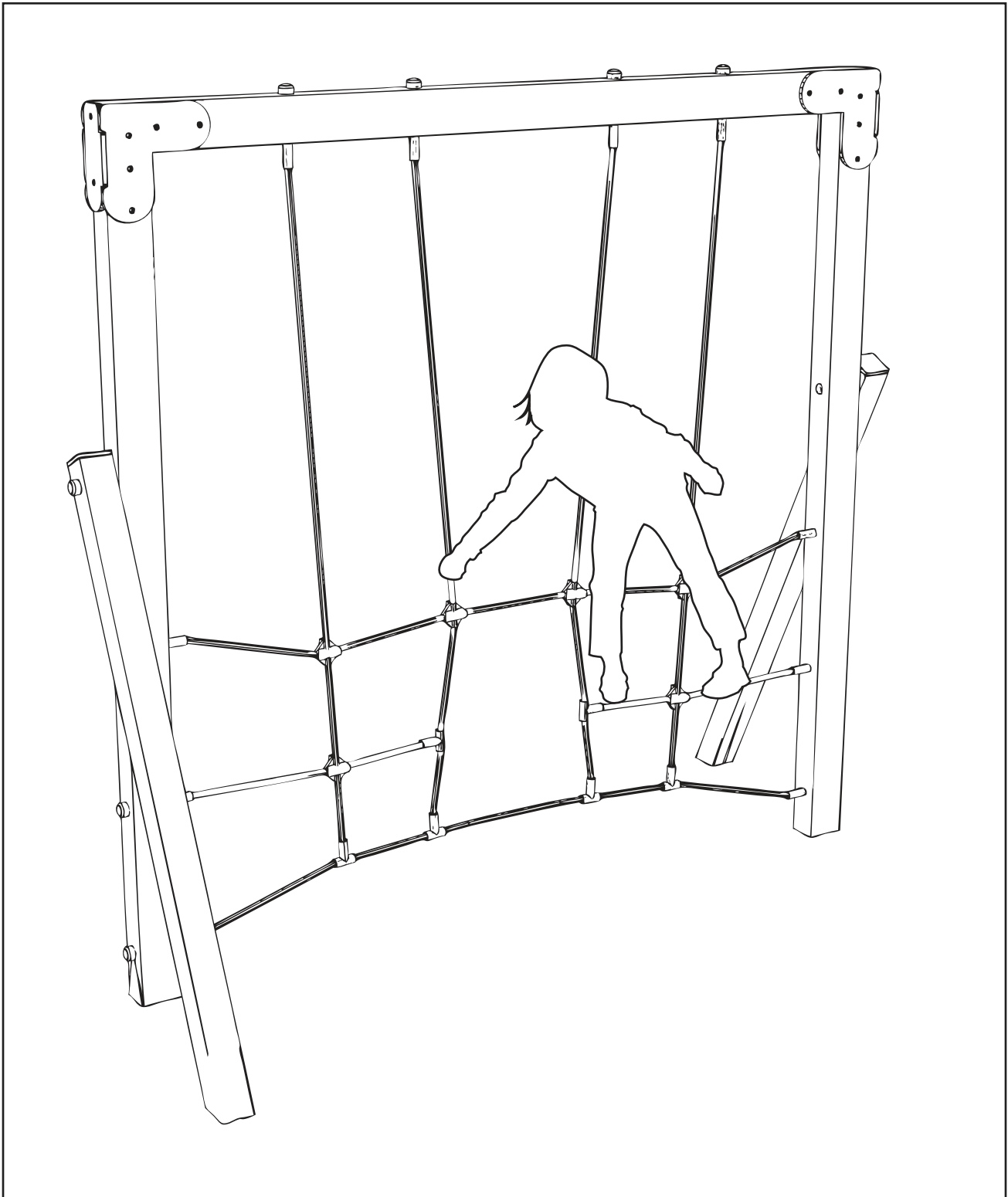


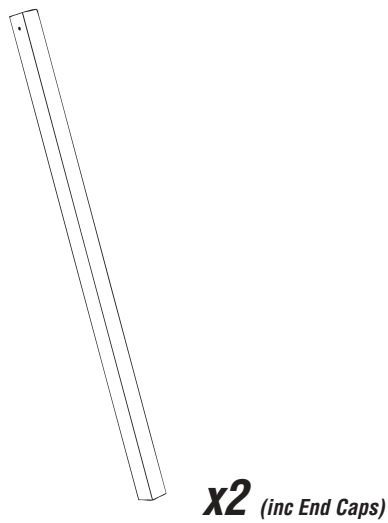
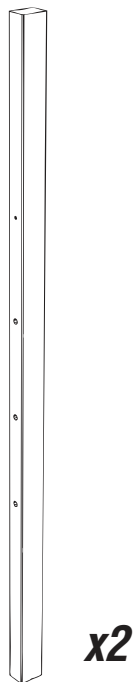
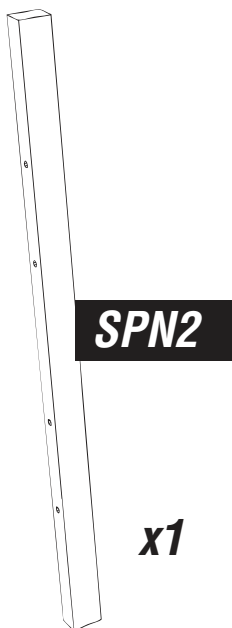
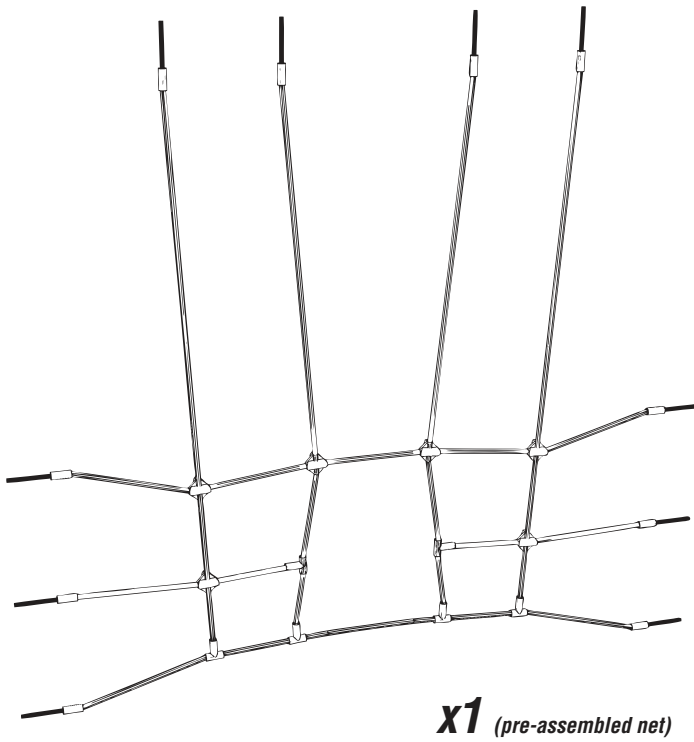
SPIDER NET

Assembly Instructions

**creative
play**



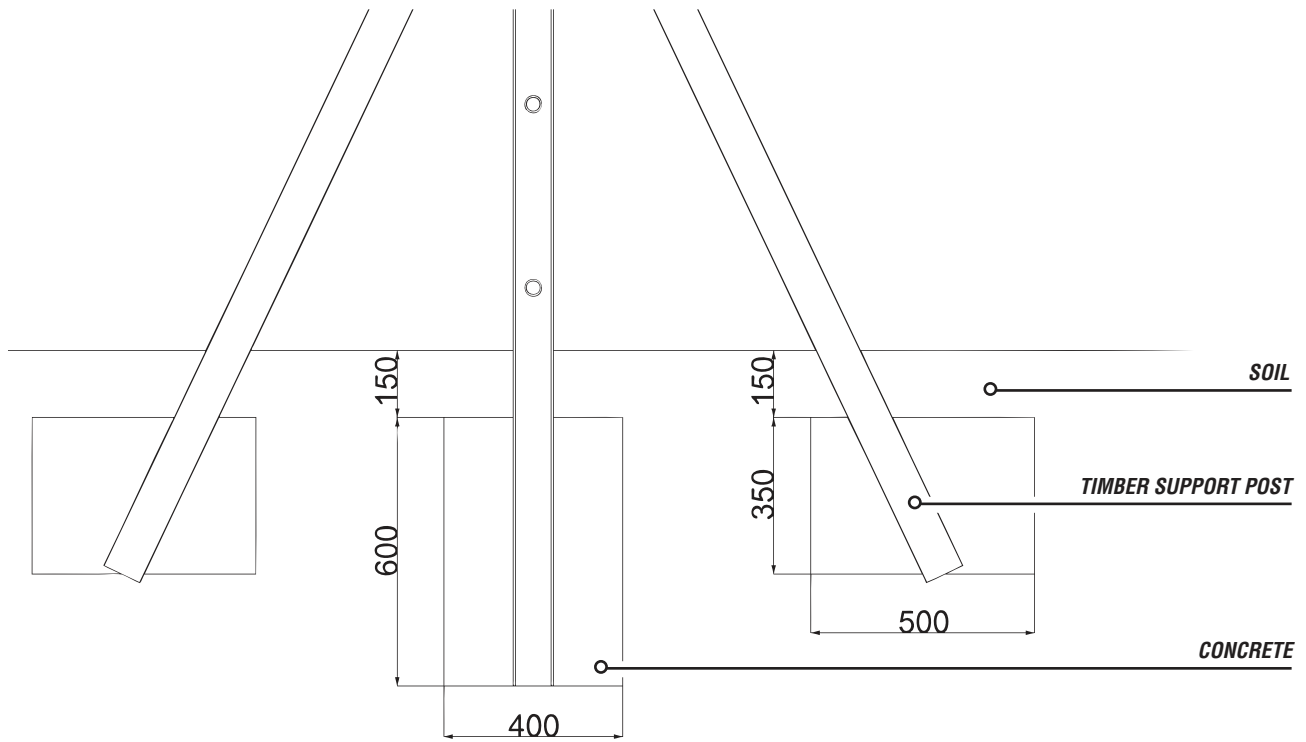
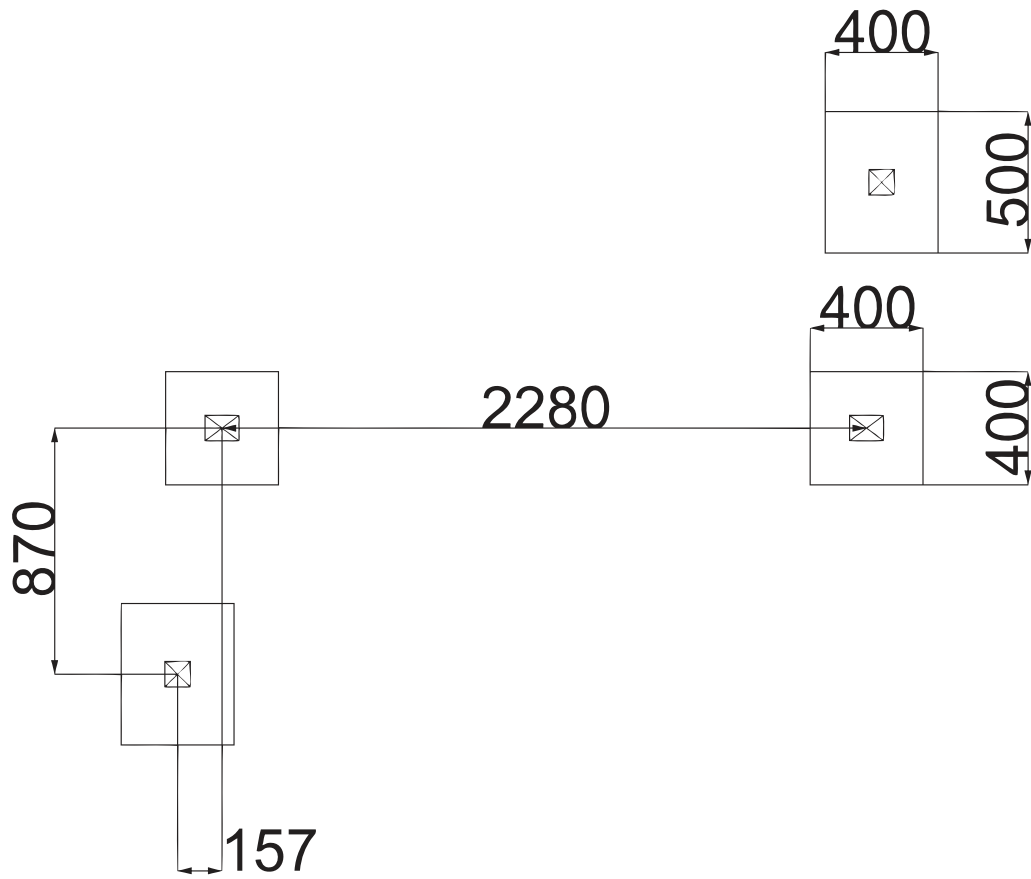
PARTS required



TOOLS required



Foundation Details



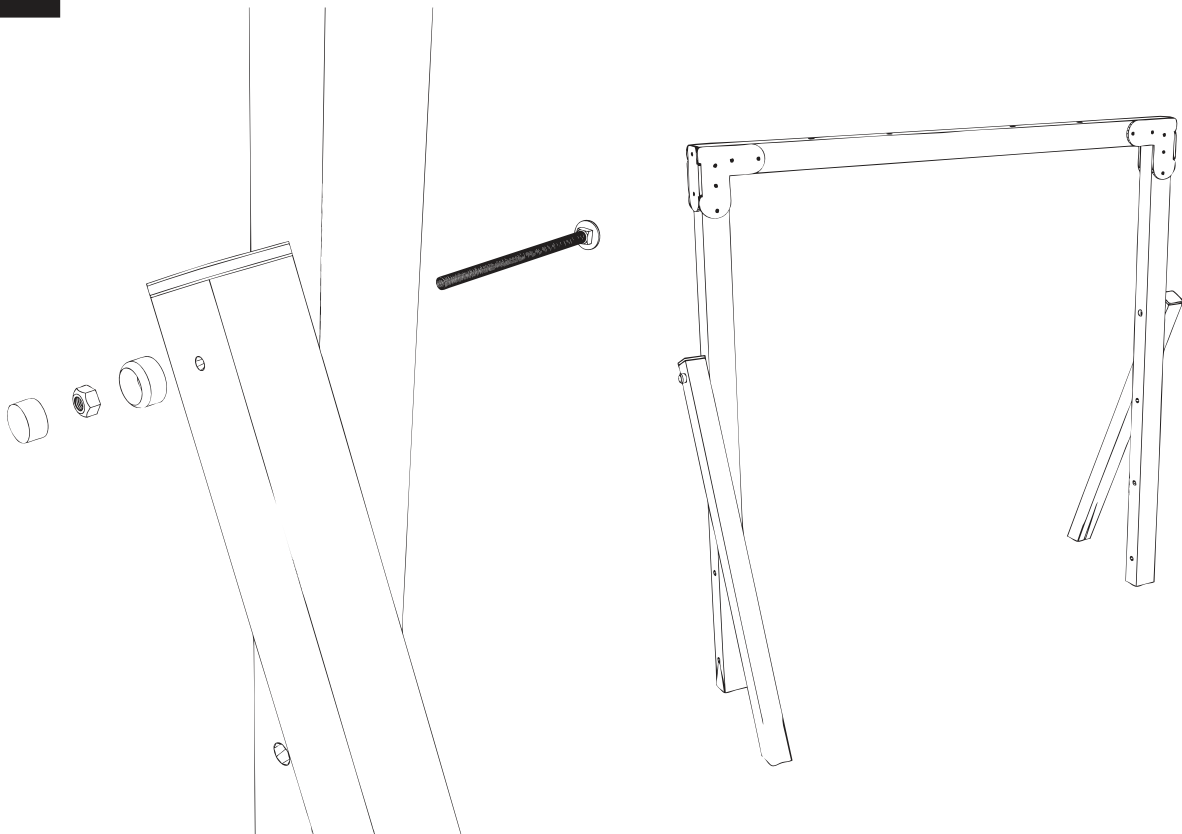
Assembly Instructions

1



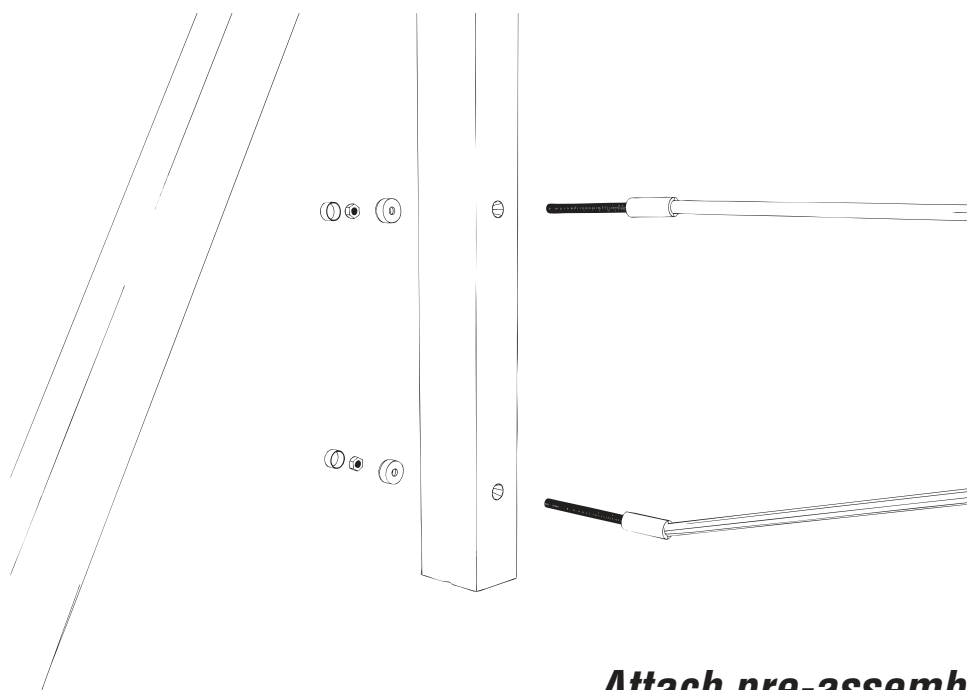
Screw L's to timber upright
Using brass screws

2



Assembly Instructions

3



Attach pre-assembled net

4

