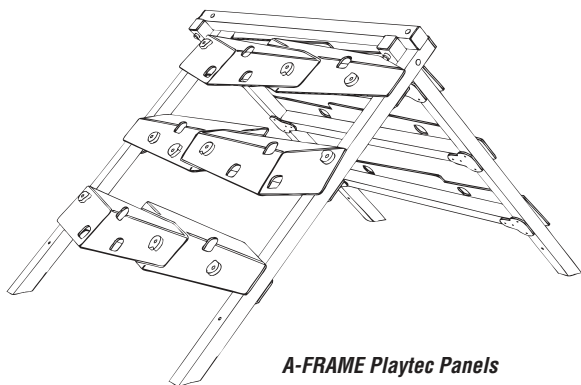
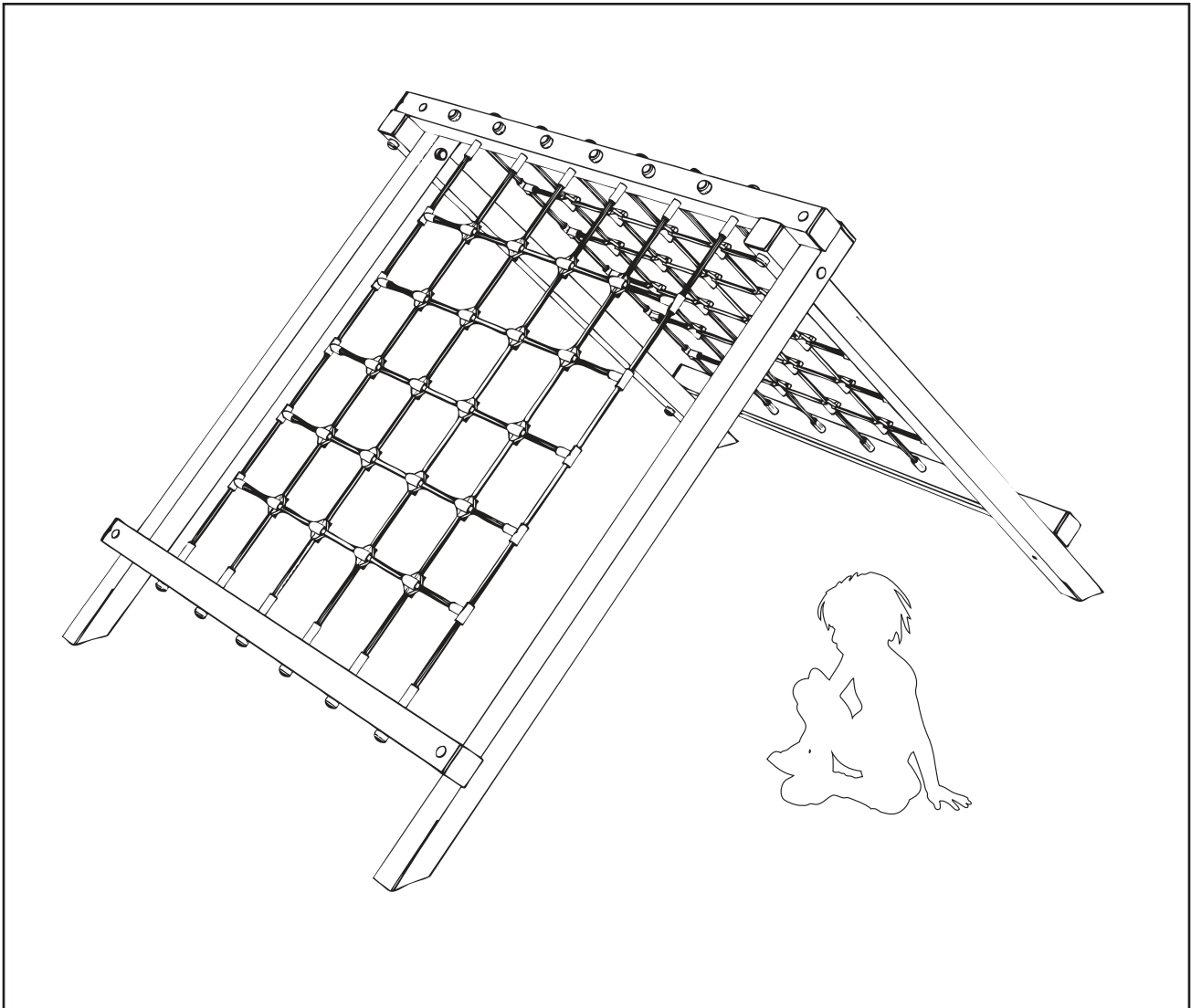
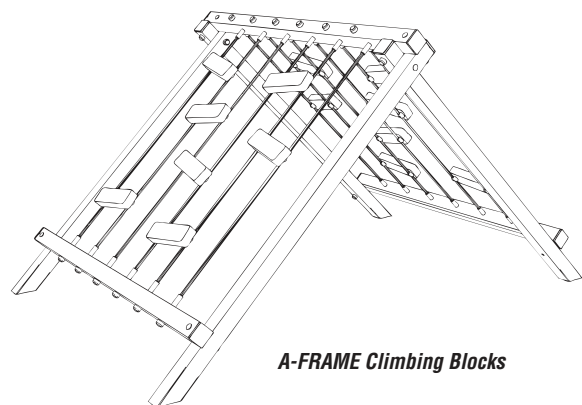


# **A-FRAME Double Net** *Assembly Instructions*

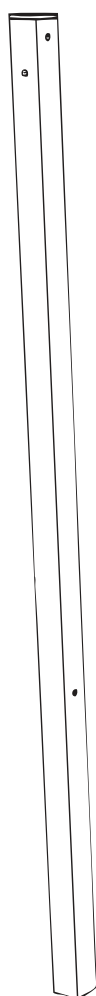


**A-FRAME Playtec Panels**



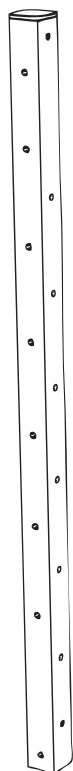
**A-FRAME Climbing Blocks**

# PARTS required



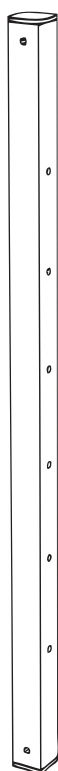
**x4**  
(includes  
end cap)

**AF1**



**x1**  
(includes  
end caps)

**AF2**



**x2**  
(includes  
end caps)

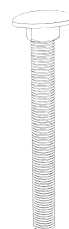
**AF3**



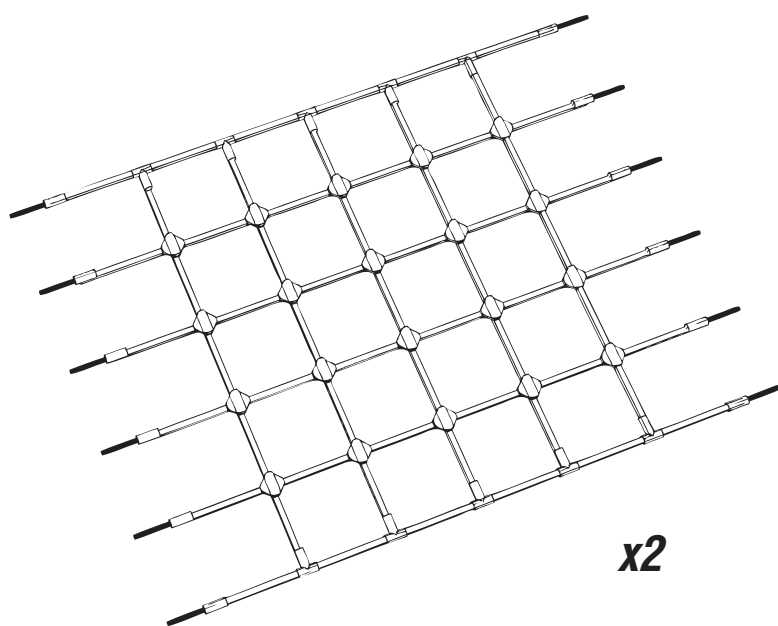
**x34** (End Caps)



**x34** (M12 Nylocs)



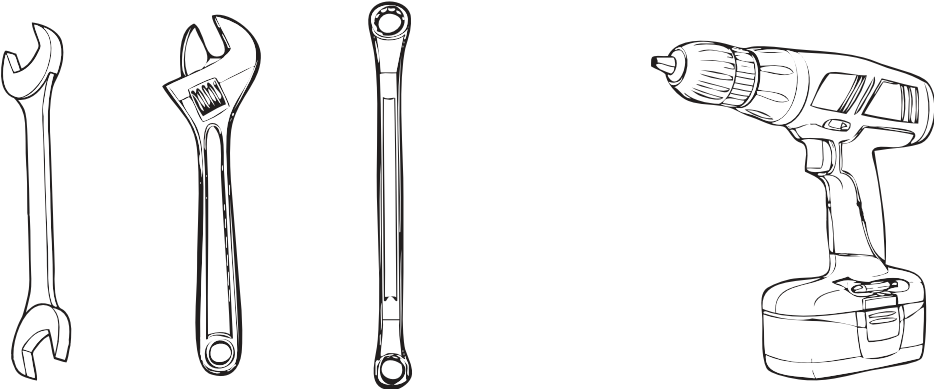
**x10** (M12 220 cup square hex)



**x2**

# ***TOOLS required***

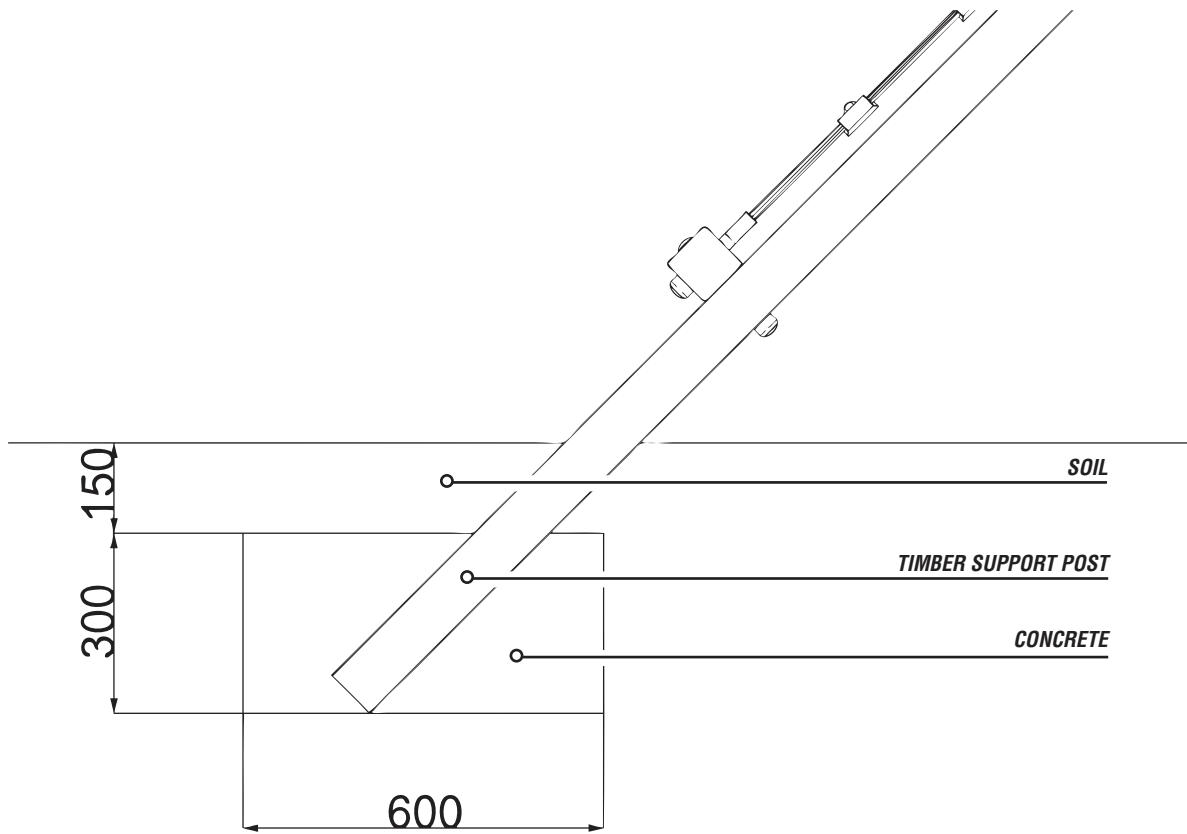
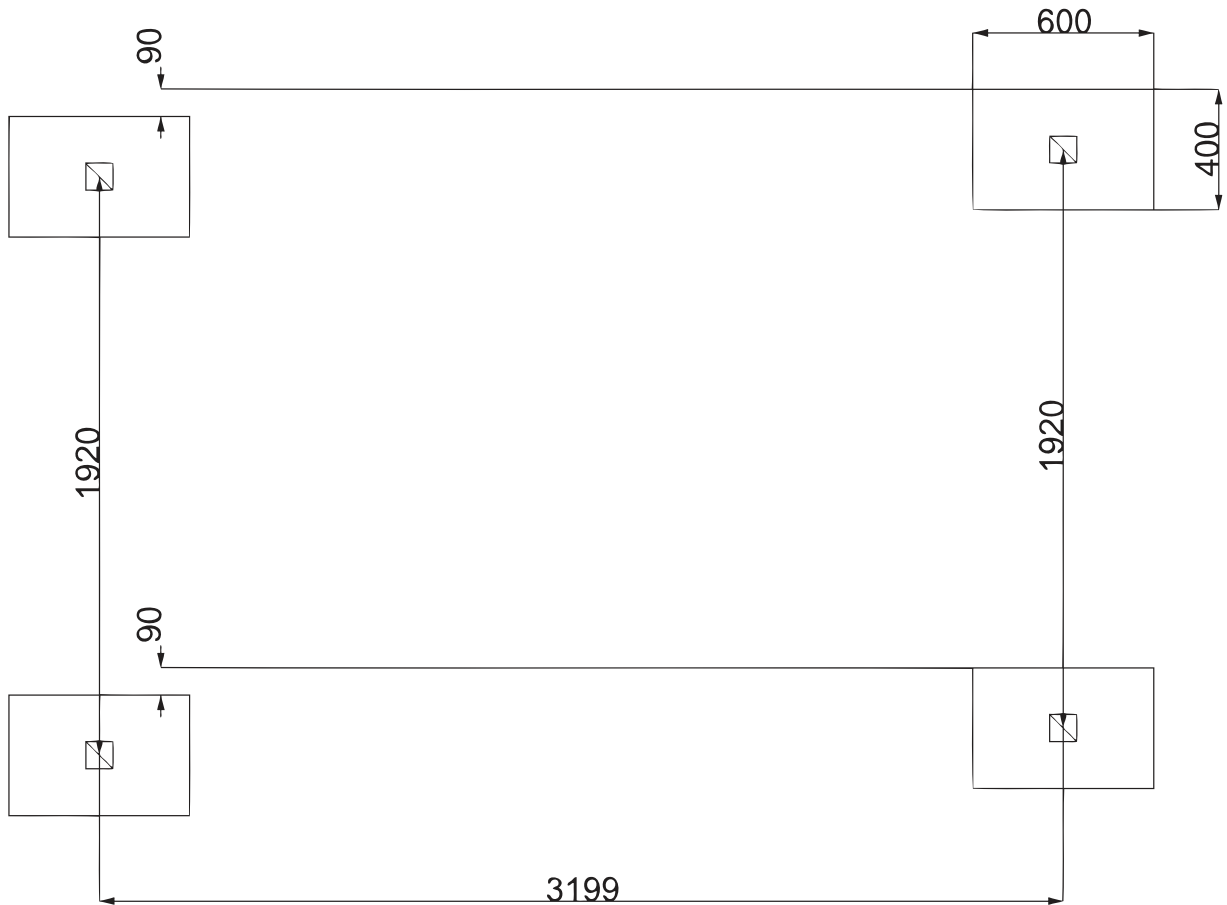
---



# ***Notes:***

---

# Foundation Details

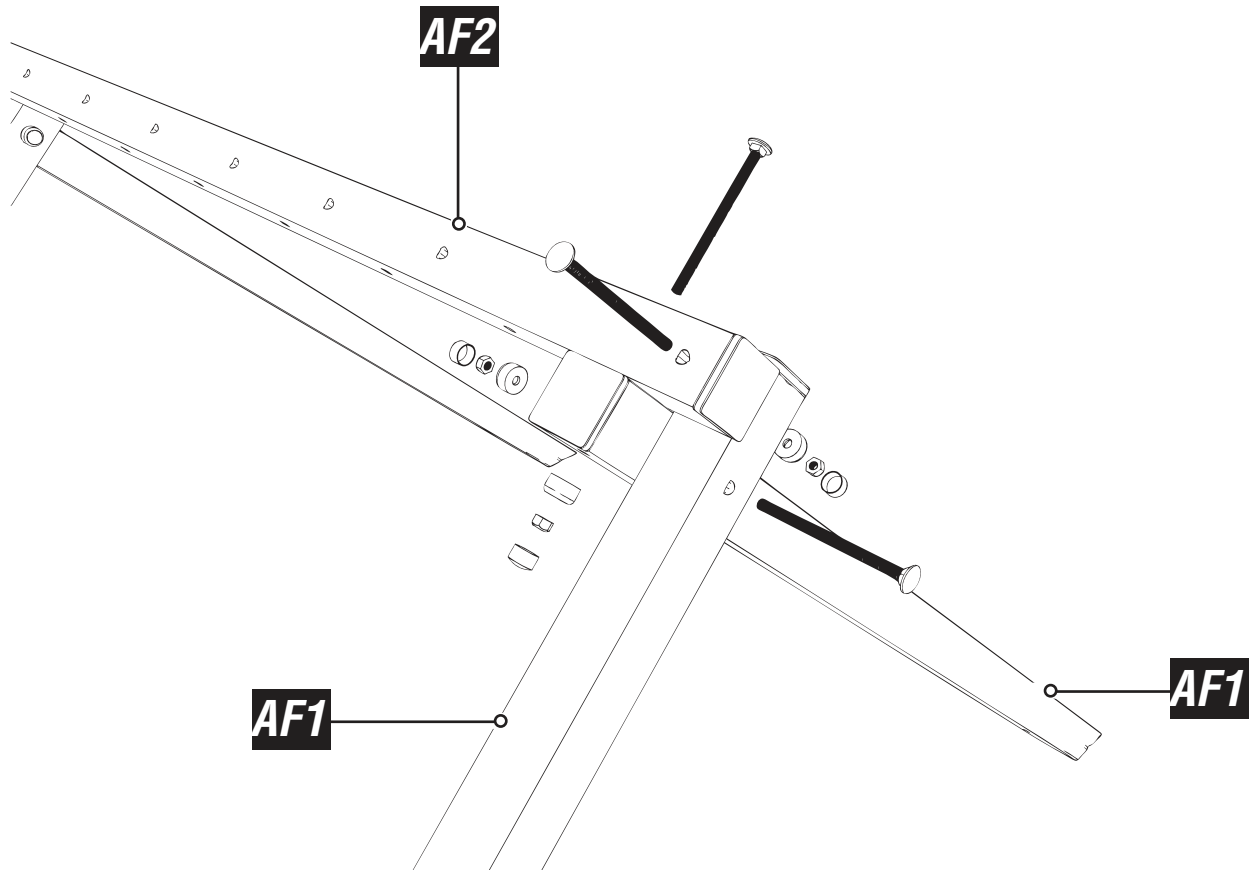


# Assembly Instructions

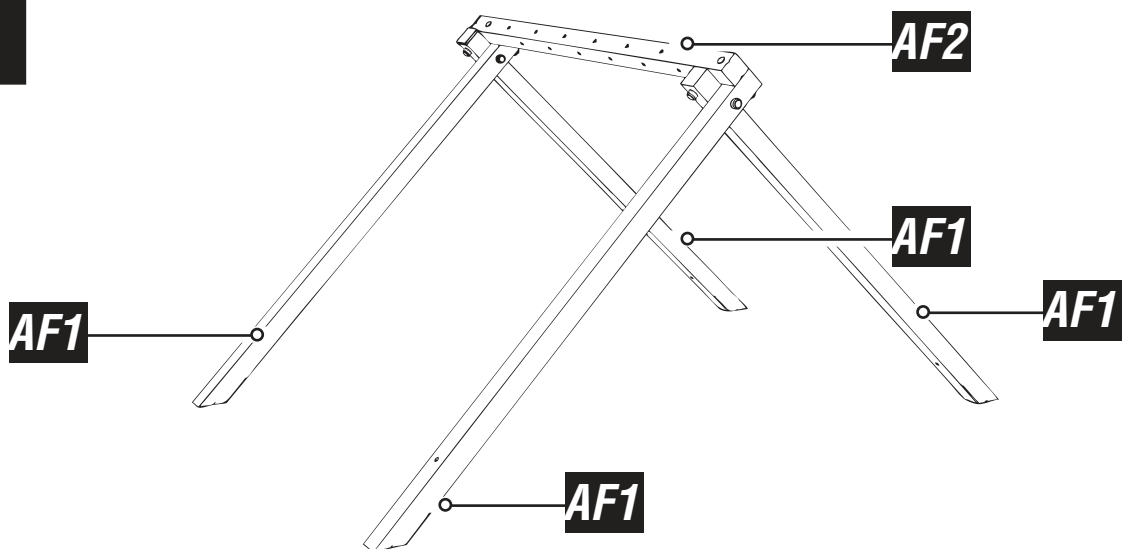
---

**1**

**Bolt AF1 & AF2 timber to create A-FRAME**



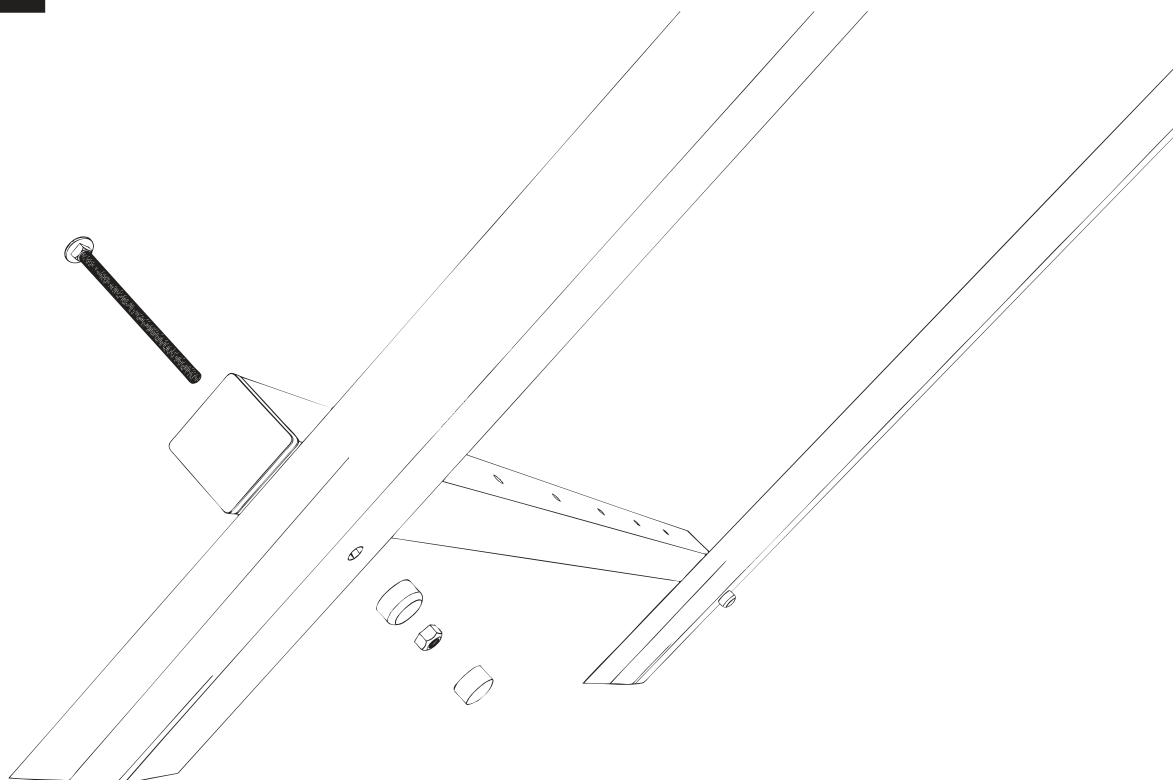
**2**



# Assembly Instructions

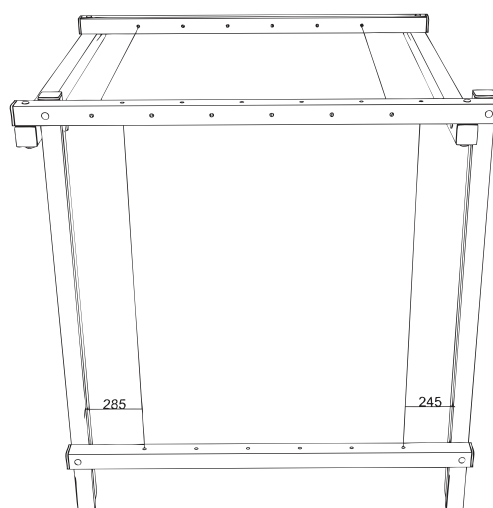
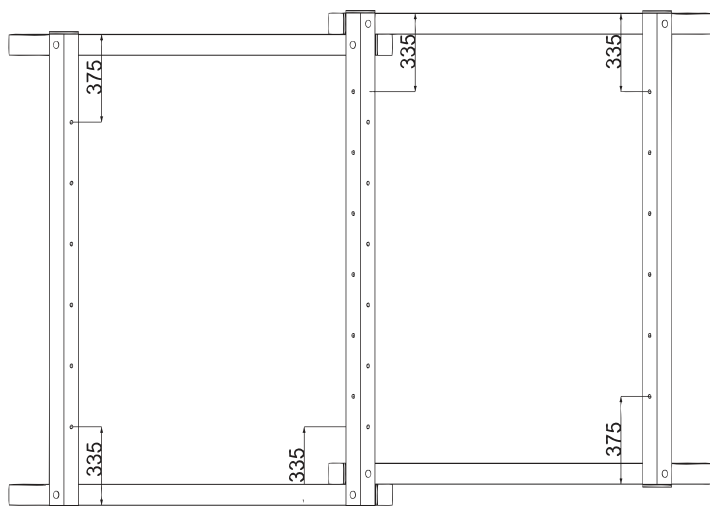
**3**

**Bolt AF3 to AF1**



**4**

**Ensure AF2 & AF3 timbers are positioned correctly**

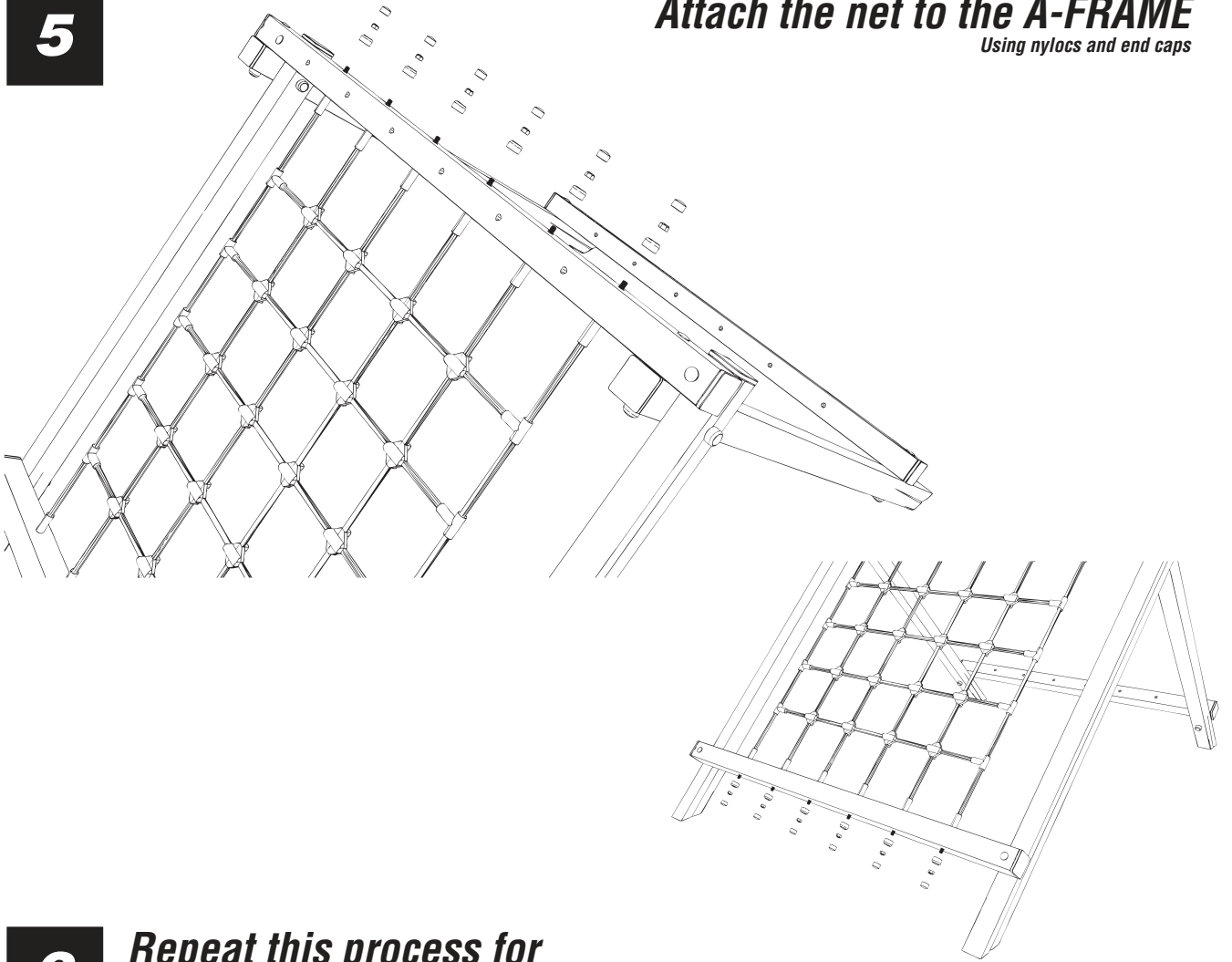


*\*If the Timbers are not positioned correctly the nets will not conform to the standards*

# Assembly Instructions

**5**

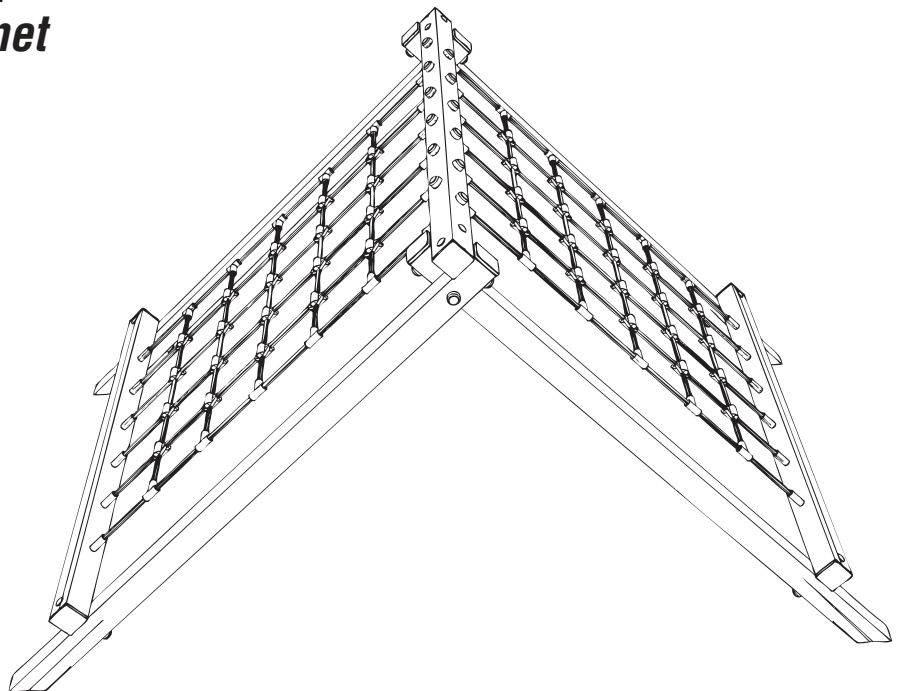
**Attach the net to the A-FRAME**  
*Using nylocs and end caps*



**6**

**Repeat this process for the second net**

*\*Again ensure that AF2 & AF3 timbers are positioned correctly (see STEP 4)*



# Assembly Instructions

**7**

**Ensure all nuts have end caps**

