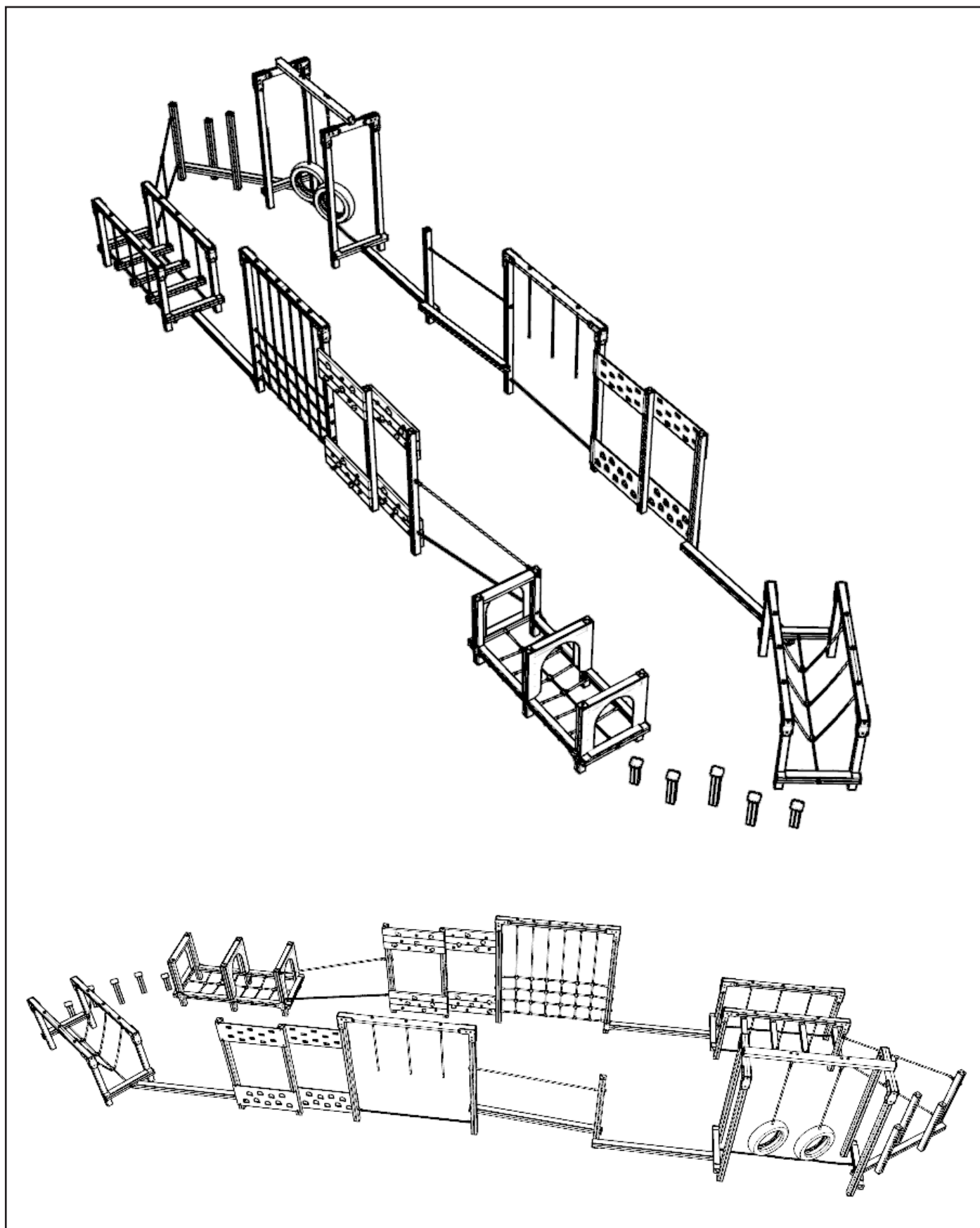


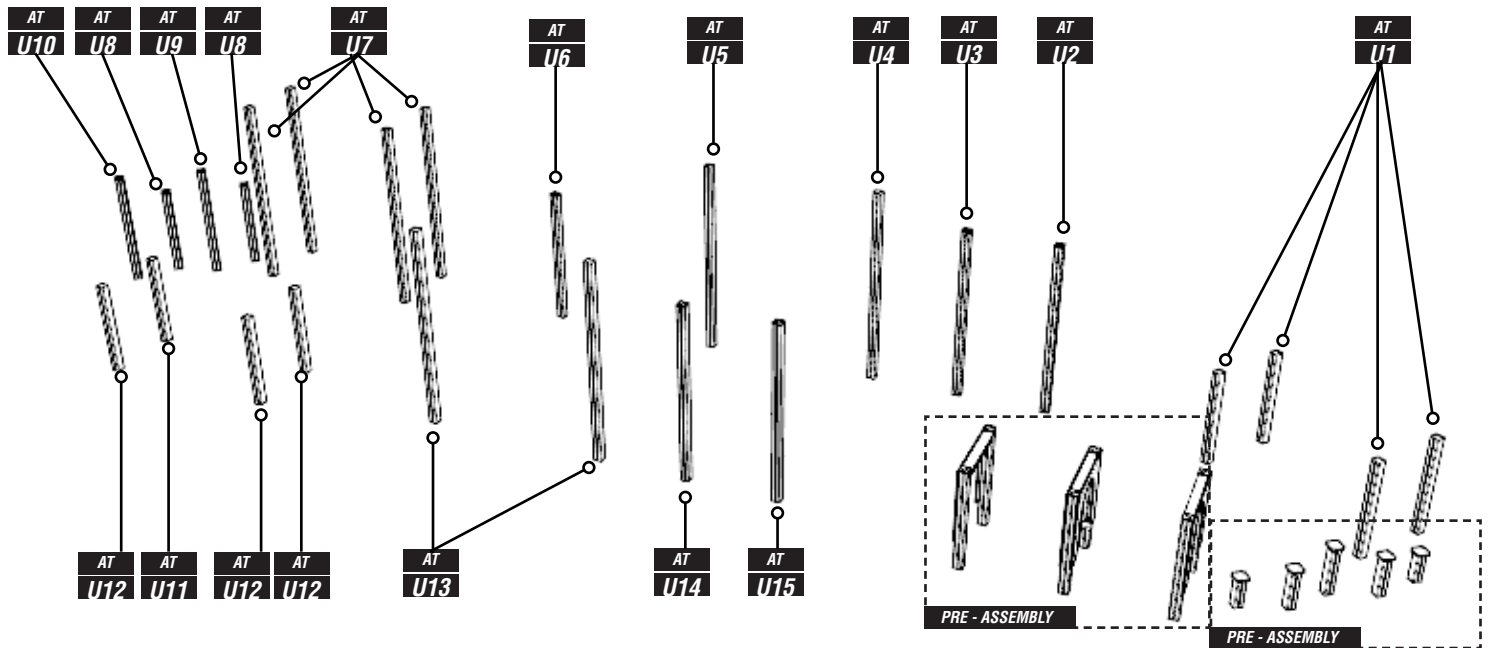
AT16 - ADVENTURE TRAIL 16

Installation Instructions

creative
play



PARTS REQUIRED

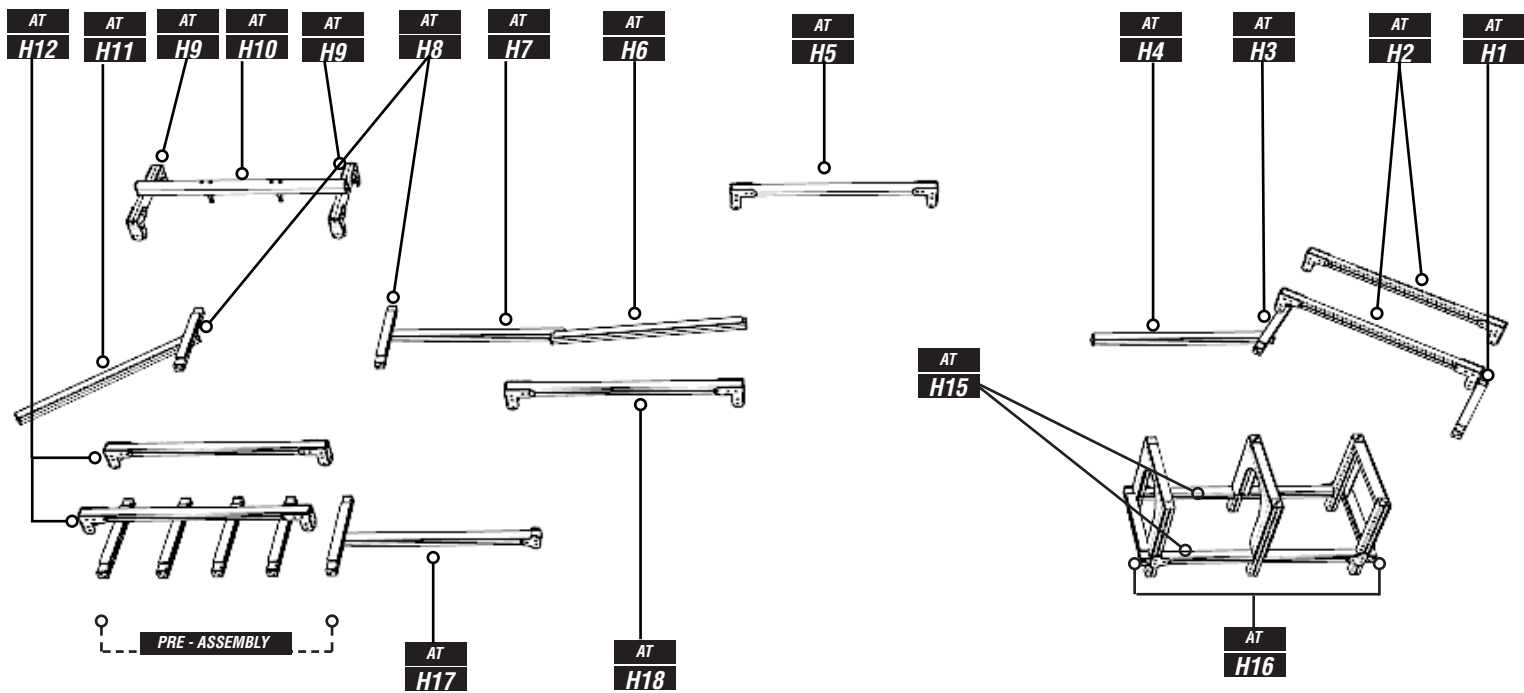


*PLEASE NOTE ALL H TIMBERS ARE PRE-ASSEMBLED WITH PLAYTEC L's AND/OR HEXBOARD (AS SHOWN ABOVE)

UPRIGHT TIMBERS

CODE	SIZE	QTY	END	ADDITIONAL INFORMATION
AT - U1	1800	4	-	UPRIGHT TIMBER
AT - U2	2715	1	END CAP	UPRIGHT TIMBER
AT - U3	2715	1	END CAP	UPRIGHT TIMBER
AT - U4	3000	1	-	UPRIGHT TIMBER
AT - U5	3000	1	-	UPRIGHT TIMBER
AT - U6	2335	1	END CAP	UPRIGHT TIMBER
AT - U7	3000	4	-	UPRIGHT TIMBER
AT - U8	1800	2	END CAP	UPRIGHT TIMBER
AT - U9	2100	1	END CAP	UPRIGHT TIMBER
AT - U10	2100	1	END CAP	UPRIGHT TIMBER
AT - U11	1800	1	-	UPRIGHT TIMBER
AT - U12	1800	3	-	UPRIGHT TIMBER
AT - U13	3000	2	-	UPRIGHT TIMBER
AT - U14	2715	1	END CAP	UPRIGHT TIMBER
AT - U15	2715	1	END CAP	UPRIGHT TIMBER

PARTS REQUIRED

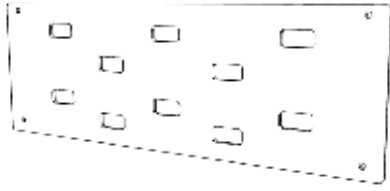


*PLEASE NOTE ALL H TIMBERS ARE PRE-ASSEMBLED WITH PLAYTEC L'S AND/OR HEXBOARD (AS SHOWN ABOVE)

HORIZONTAL TIMBERS

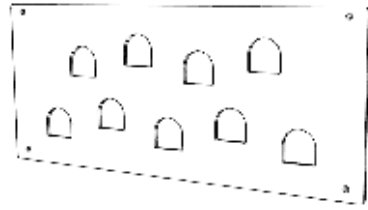
CODE	SIZE	QTY	START	END	ADDITIONAL INFORMATION
AT - H1	900	1	END CAP	END CAP	HORIZONTAL TIMBER (HEXA GRIP SLAT)
AT - H2	2100	2	PLAYTEC L'S	PLAYTEC L'S	HORIZONTAL TIMBER
AT - H3	900	1	END CAP	END CAP	HORIZONTAL TIMBER (HEXA GRIP SLAT)
AT - H4	2010	1	END CAP	END CAP	HORIZONTAL TIMBER
AT - H5	2100	1	PLAYTEC L'S	PLAYTEC L'S	HORIZONTAL TIMBER
AT - H6	2160	1	END CAP	END CAP	HORIZONTAL TIMBER (HEXA GRIP SLAT)
AT - H7	2010	1	END CAP	END CAP	HORIZONTAL TIMBER (HEXA GRIP SLAT)
AT - H8	900	2	END CAP	END CAP	HORIZONTAL TIMBER (HEXA GRIP SLAT)
AT - H9	900	2	PLAYTEC L'S	PLAYTEC L'S	HORIZONTAL TIMBER
AT - H10	2100	1	END CAP	END CAP	HORIZONTAL TIMBER
AT - H11	2010	1	END CAP	END CAP	HORIZONTAL TIMBER (HEXA GRIP SLAT)
AT - H12	2100	2	PLAYTEC L'S	PLAYTEC L'S	HORIZONTAL TIMBER (HEXA GRIP SLAT)
AT - H15	1920	2	-	-	HORIZONTAL TIMBER
AT - H16	900	2	END CAP	END CAP	HORIZONTAL TIMBER (HEXA GRIP SLAT)
AT - H17	1920	1	-	PLAYTEC T	HORIZONTAL TIMBER
AT - H18	2100	1	PLAYTEC L'S	PLAYTEC L'S	HORIZONTAL TIMBER

PARTS REQUIRED



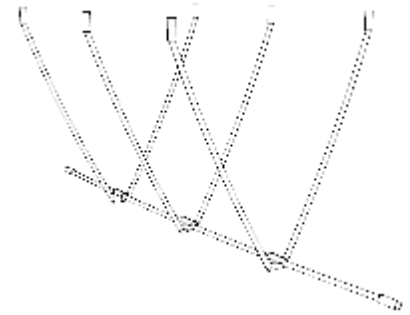
x2

CLIMBING PANELS (UPPER)



x2

CLIMBING PANELS (LOWER)



x1

ROPE BRIDGE



x3

SWINGING ROPES



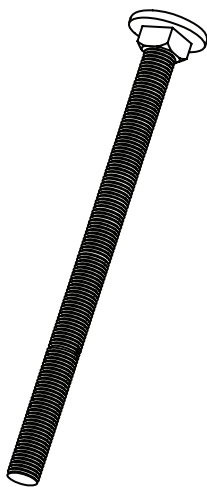
x1

SWINGING ROPE CHAIN



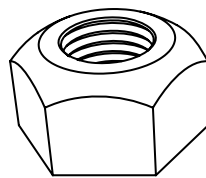
x1

TRAVERSE ROPE 1



x15

274.M12X200

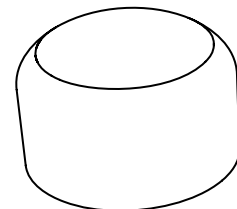


x6

656.M10

x73

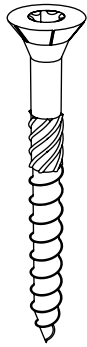
656.M12



x79

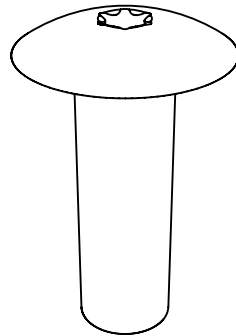
102003-01 - M12

PARTS REQUIRED



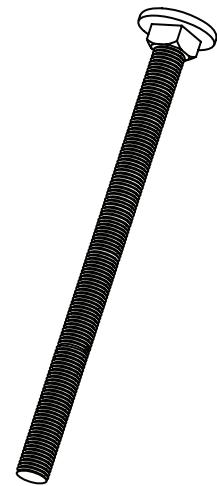
x61

97.M8X80CSK



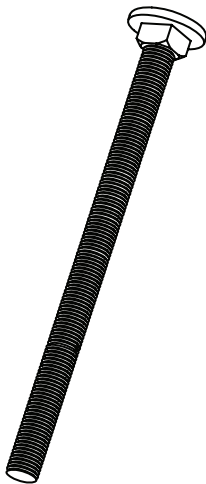
x2

M12 SOCKET NUT (50MM)



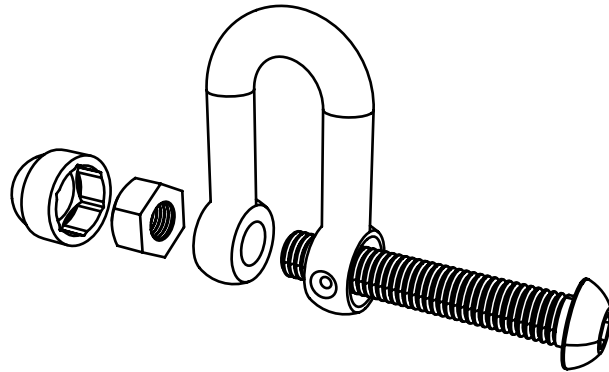
x2

274.M12X220



x8

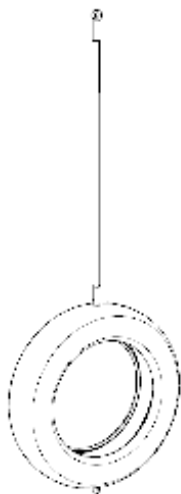
274.M12X180



**CONSISTS OF
SHACKLE / BOLT / NYLOC / CAP**

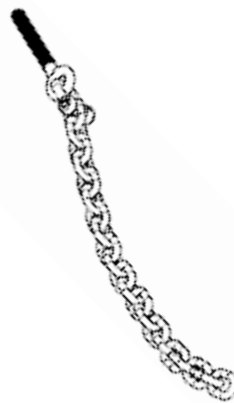
x2

349.742.D-SHACKLE 'SET'



x2

TYRE



x2

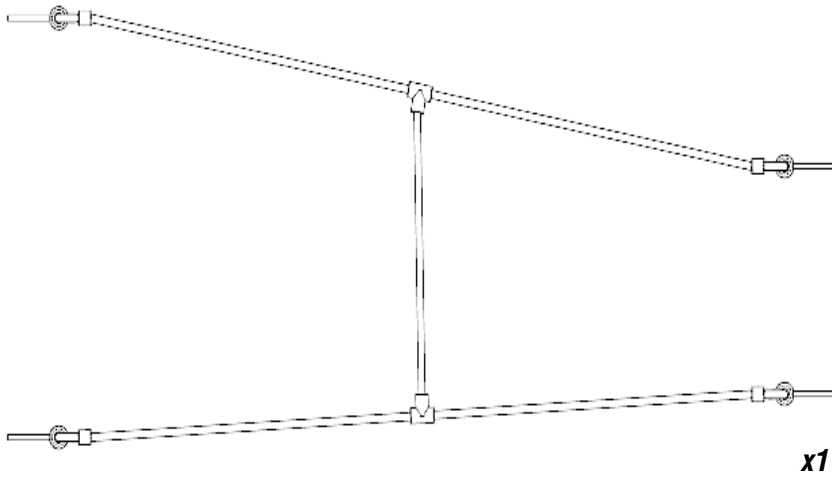
660MM TYRE CHAIN (EYEBOLT)



x1

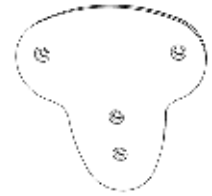
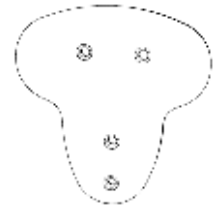
780MM TYRE CHAIN

PARTS REQUIRED



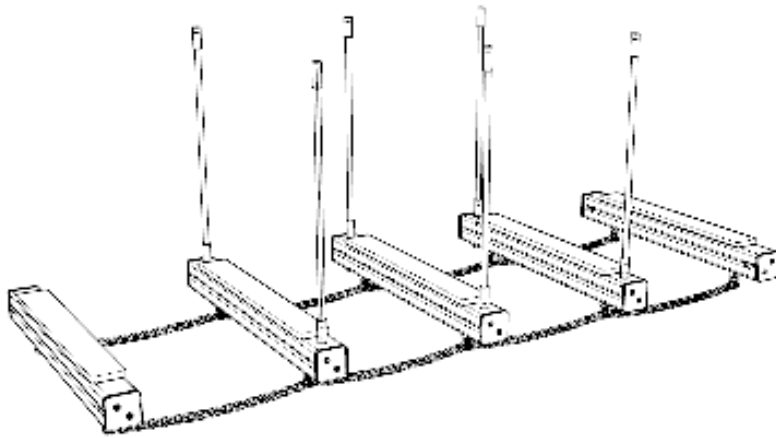
ROPE TRAVERSE 2

x1



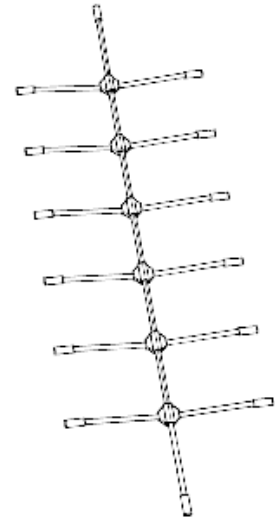
PLAYTEC 'T' SETS

x5



LOG WALK (PRE-ASSEMBLED)

x1



TUNNEL NET

x1



x2

STEPPING LOG (UA4)



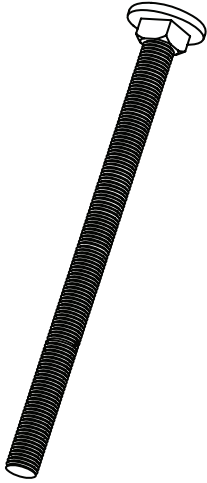
x2

STEPPING LOG (UA5)



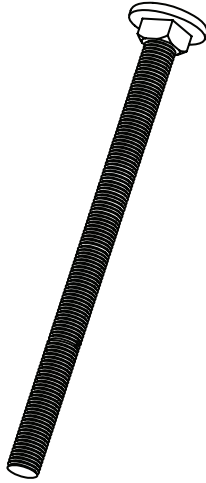
x1

STEPPING LOG (UA6)



x2

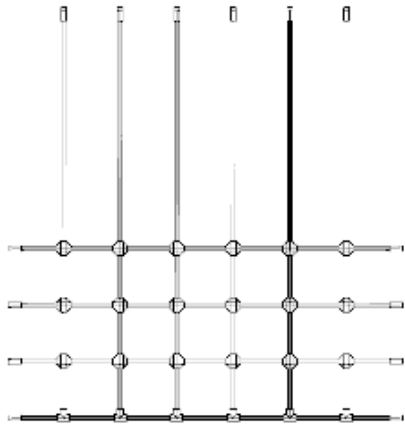
274.M12X110



x2

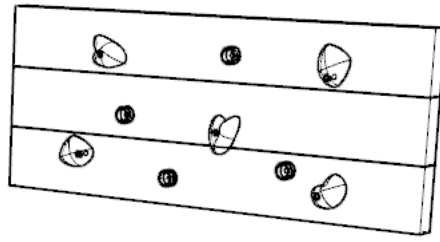
274.M12X230

PARTS REQUIRED



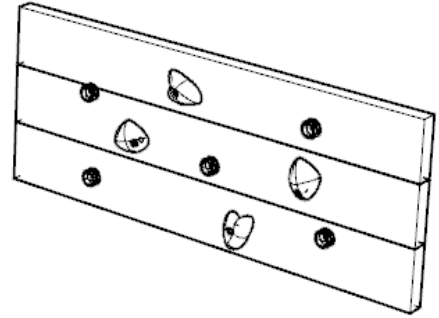
x1

CARGO NET



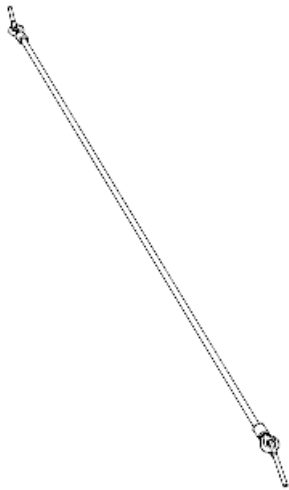
x2

TIMBER CLIMBING PANEL (UPPER)



x2

TIMBER CLIMBING PANEL (LOWER)



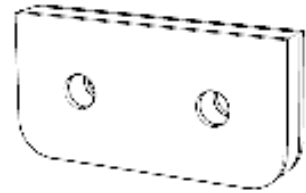
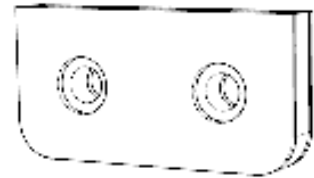
x1

TRAVERSE ROPE 3



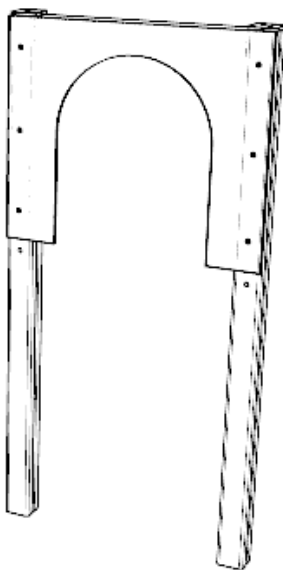
x1

TRAVERSE ROPE 3 CHAIN



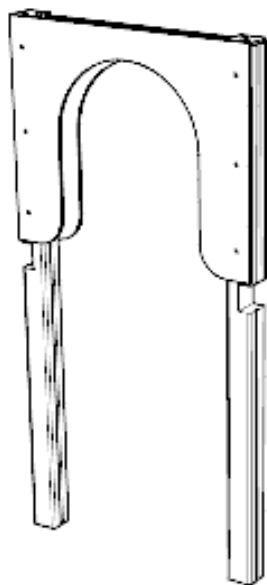
x1 SET

PLAYTEC UNDER BRACKET



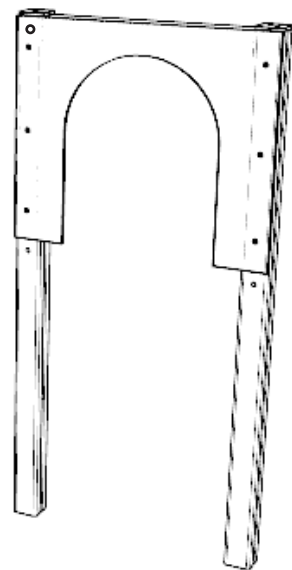
x1

PRE-ASSEMBLED TUNNEL PANEL



x1

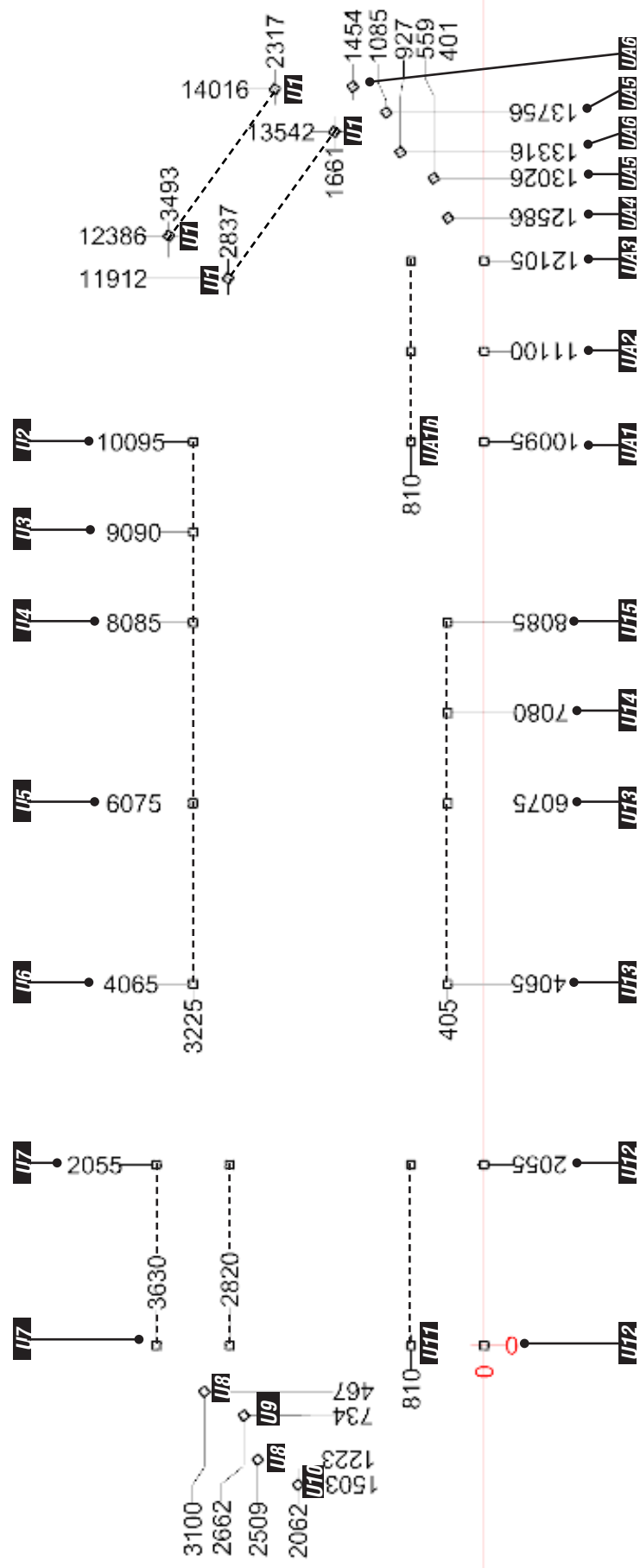
PRE-ASSEMBLED TUNNEL PANEL - DOUBLE SIDED



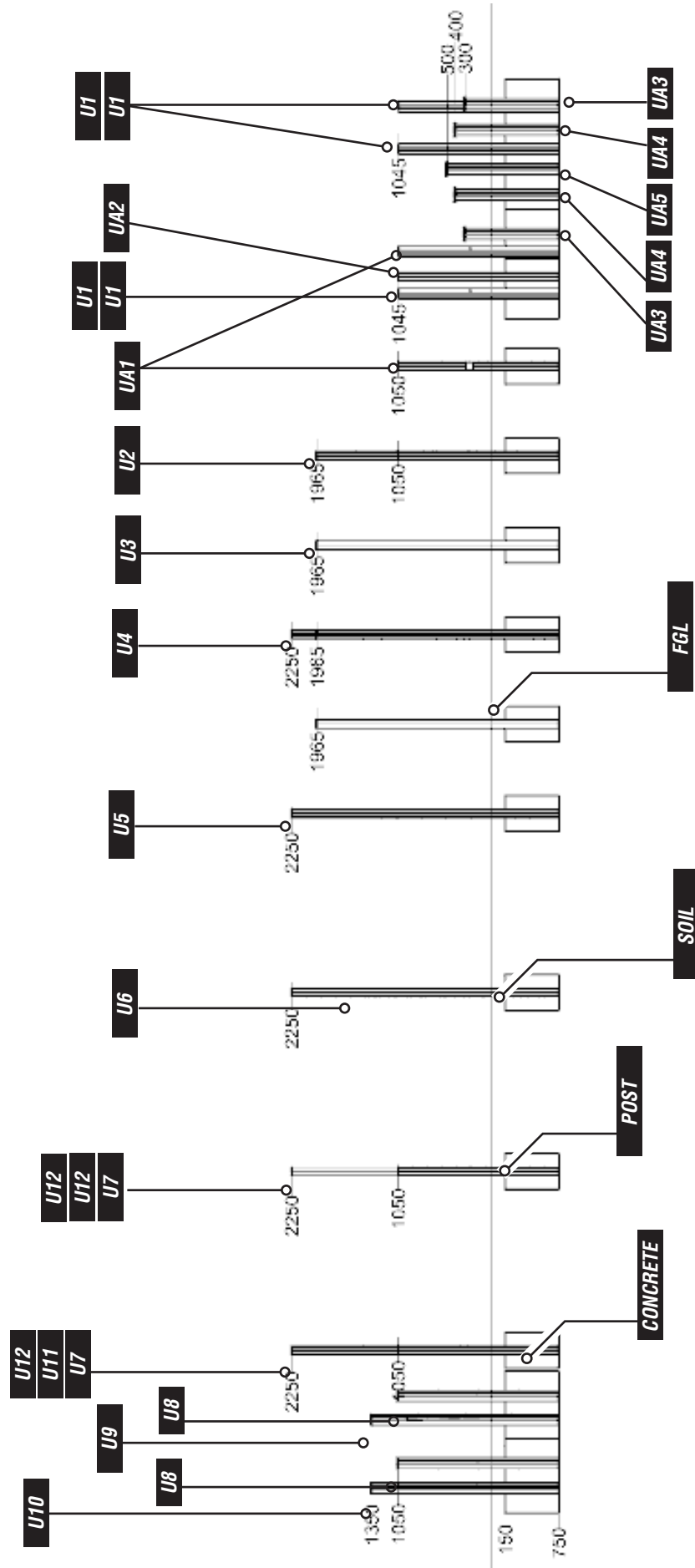
x1

PRE-ASSEMBLED TUNNEL PANEL INC 'CHAIN HOLE'

FOUNDATION DETAILS

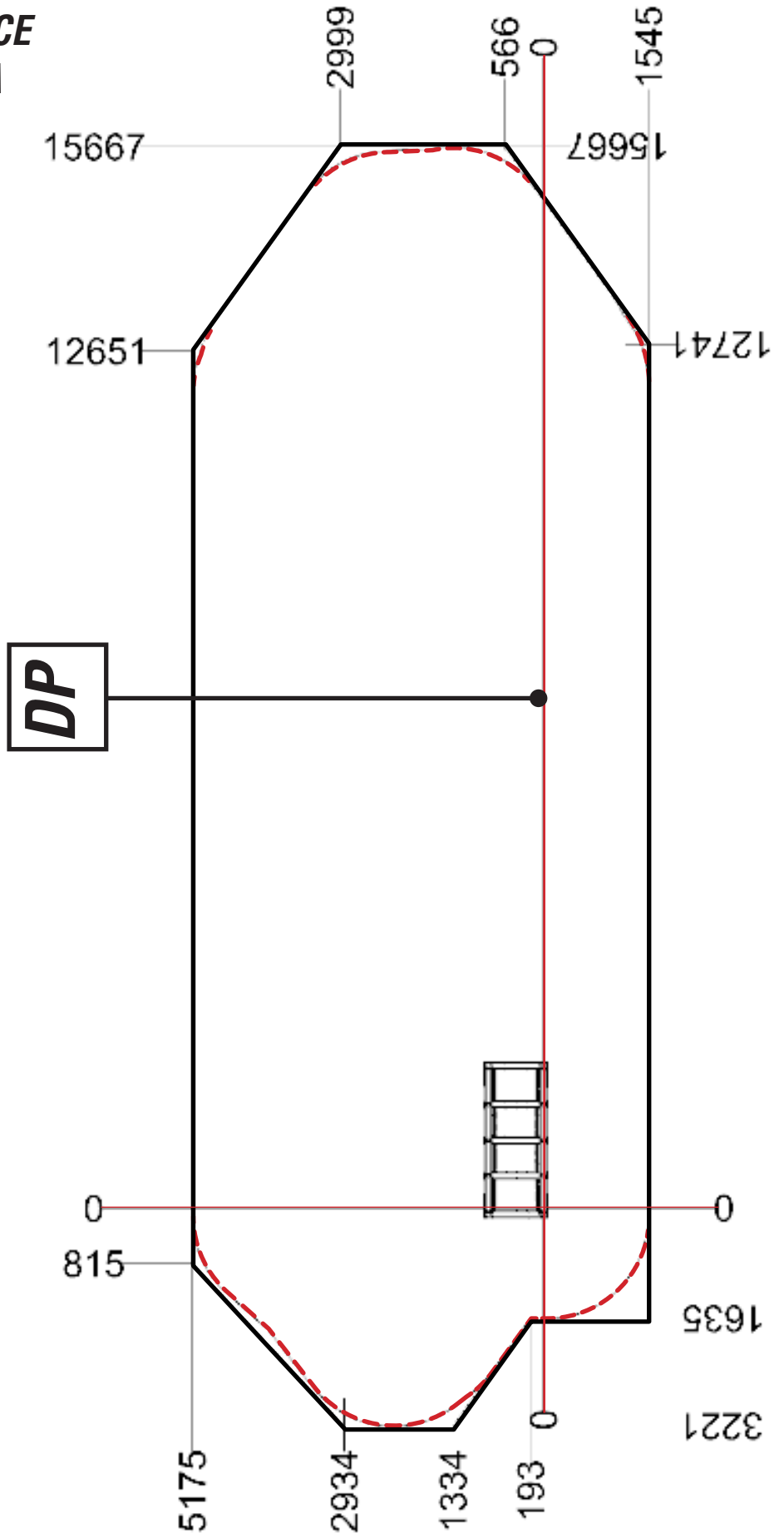
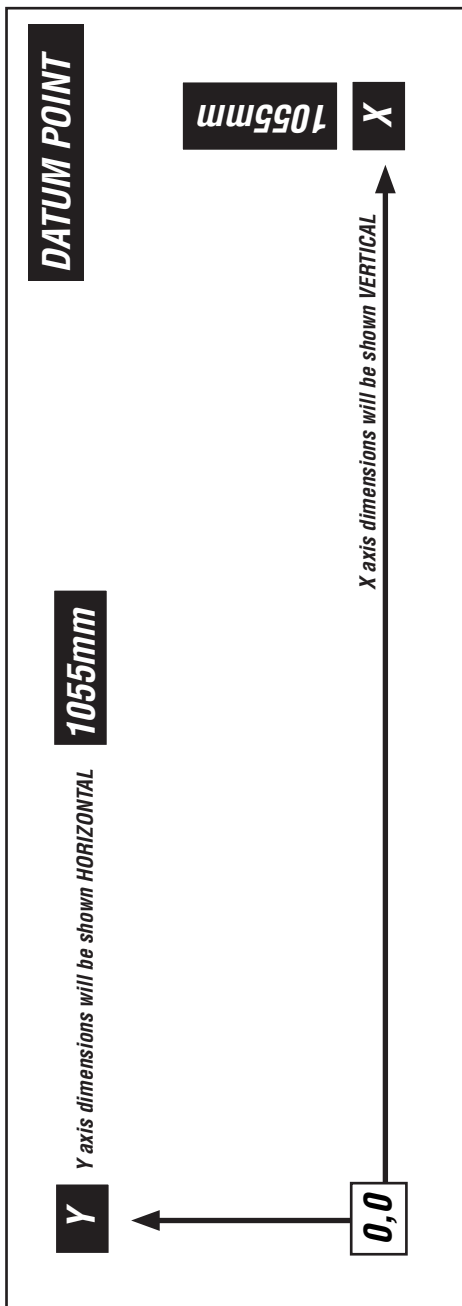


FOUNDATION DETAILS



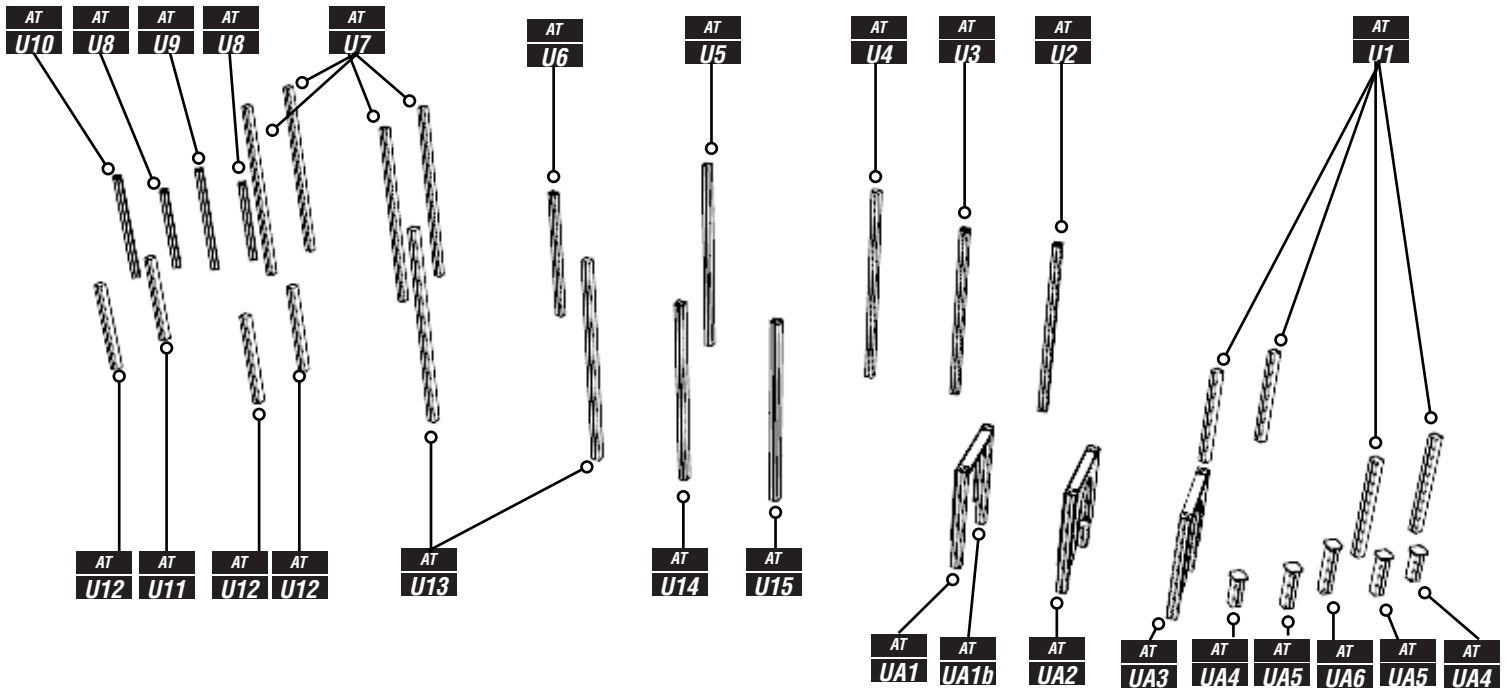
SURFACING DETAILS

- - - = MINIMUM SPACE
— = OVERALL AREA

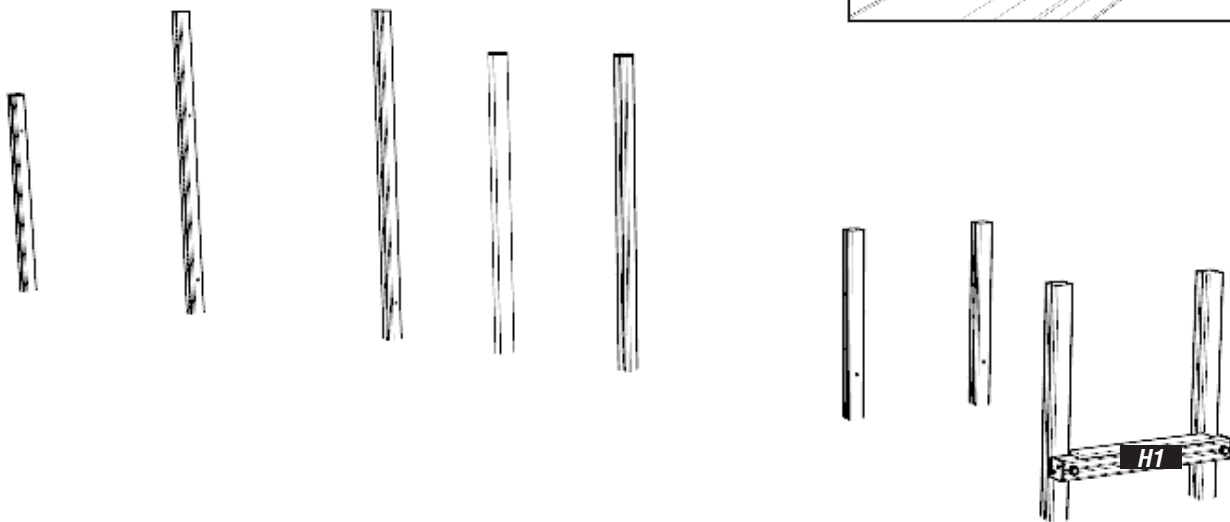
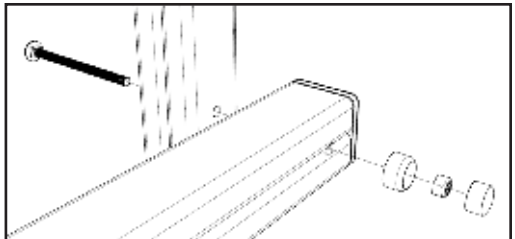


INSTALLATION INSTRUCTIONS

1 POSITION THE UPRIGHT TIMBERS FOLLOWING FOUNDATION DETAILS

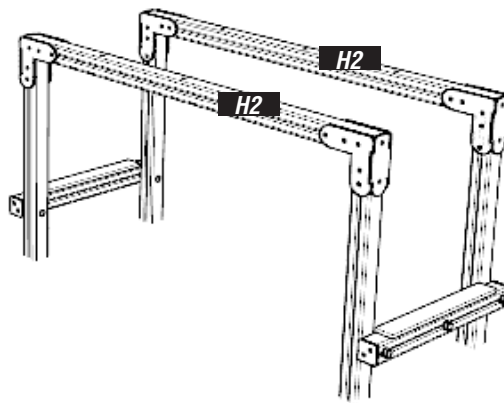
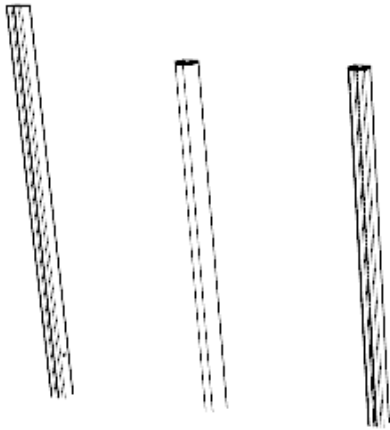
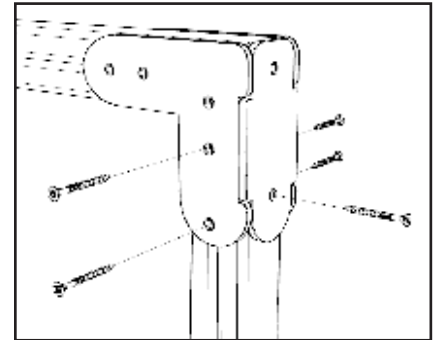


2 ATTACH TIMBER H1 USING 274.M12X200 / 656.M12 / 102003-01, SECURE HEXBOARD WITH M8X80MM WOOD SCREWS

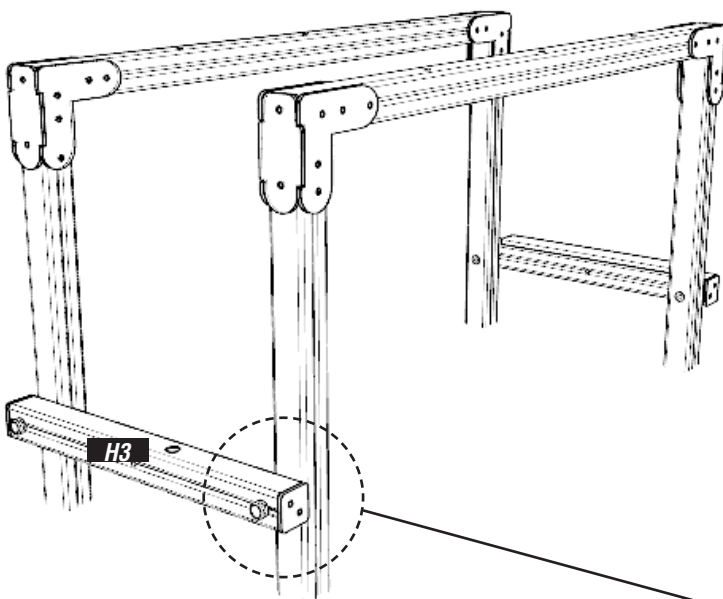


INSTALLATION INSTRUCTIONS

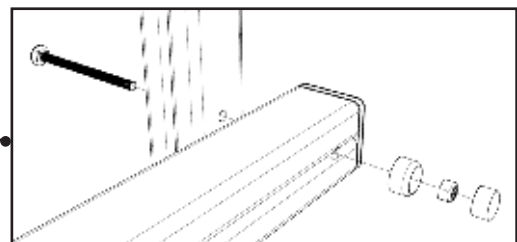
3 ATTACH H2 TIMBERS USING PLAYTEC L'S
USING M8X80MM WOOD SCREWS, TAKE CARE THAT SCREWS DO NOT 'CROSS'



4 ATTACH TIMBER H3
USING 274.M12X200 / 656.M12 / 102003-01



NOTES:
H3 HEXBOARD SLAT WILL NOT BE ATTACHED UNTIL STEP 7

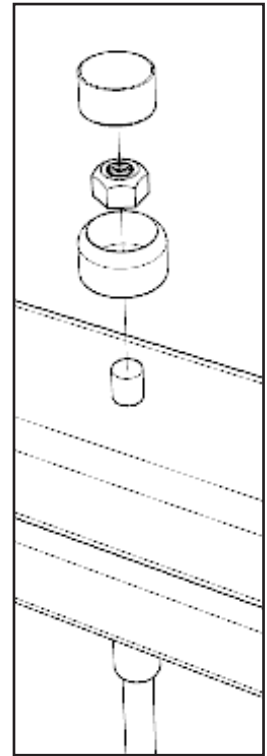
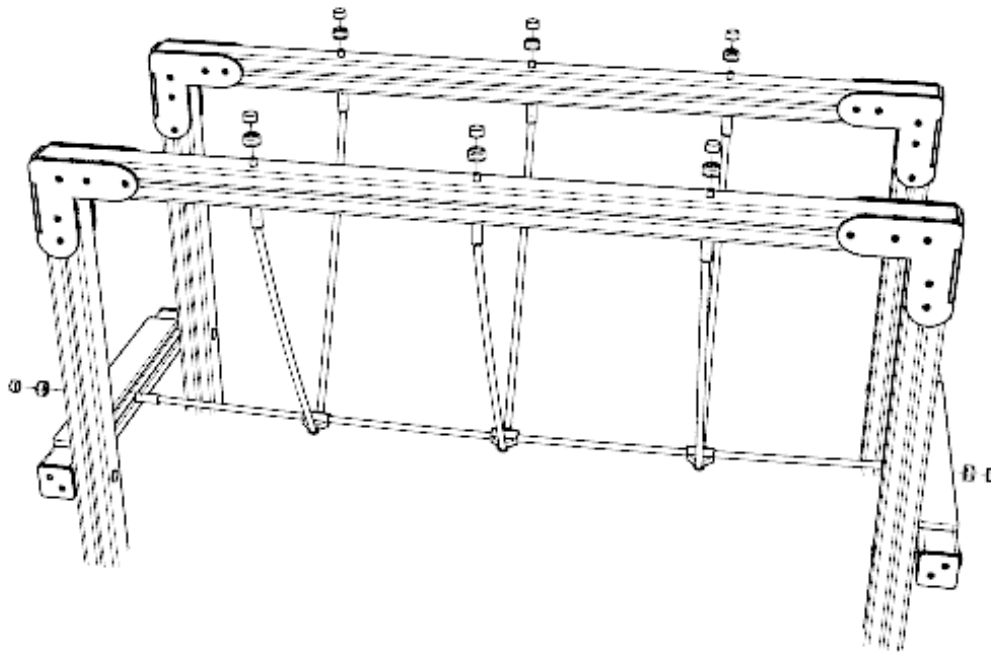


INSTALLATION INSTRUCTIONS

5

ATTACH ROPE BRIDGE

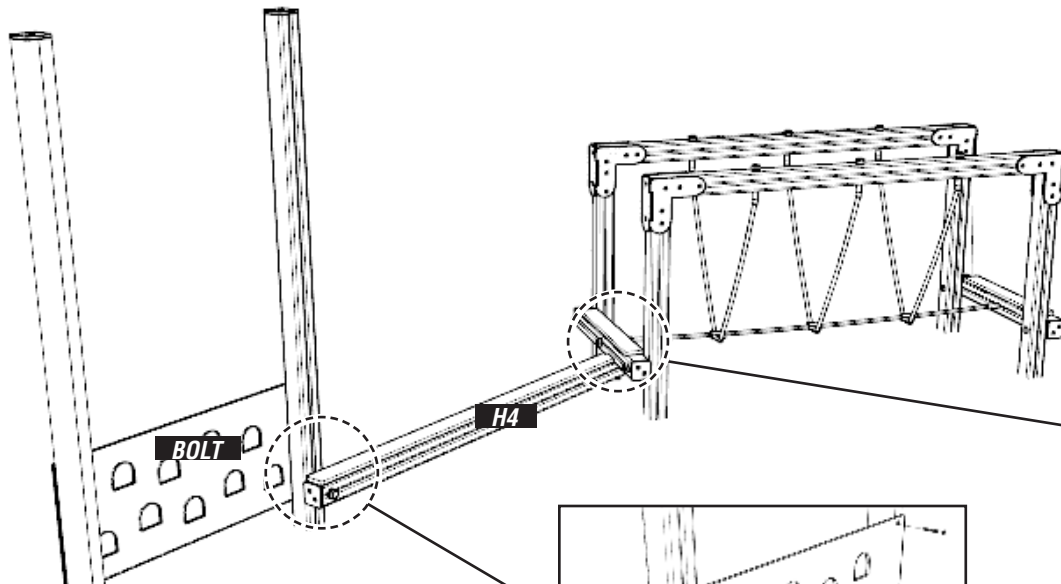
USING 656.M12 / 102003-01



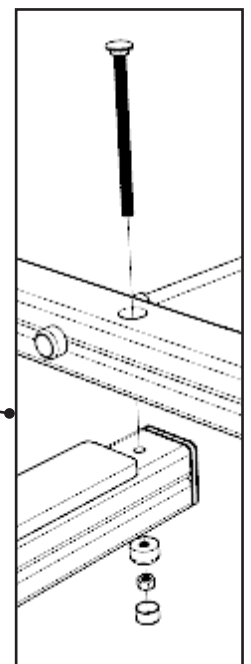
6

ATTACH TIMBER H4 AND LOWER PLAYTEC CLIMBING PANEL SHOWN

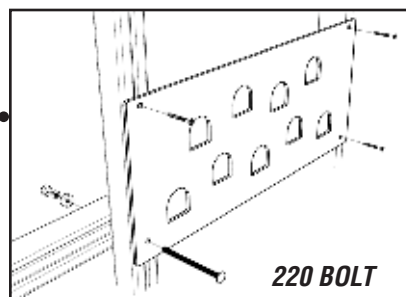
USING 274.M12X180 & 220 / 656.M12 / 102003-01 AND M8X80MM WOOD SCREWS



180 BOLT



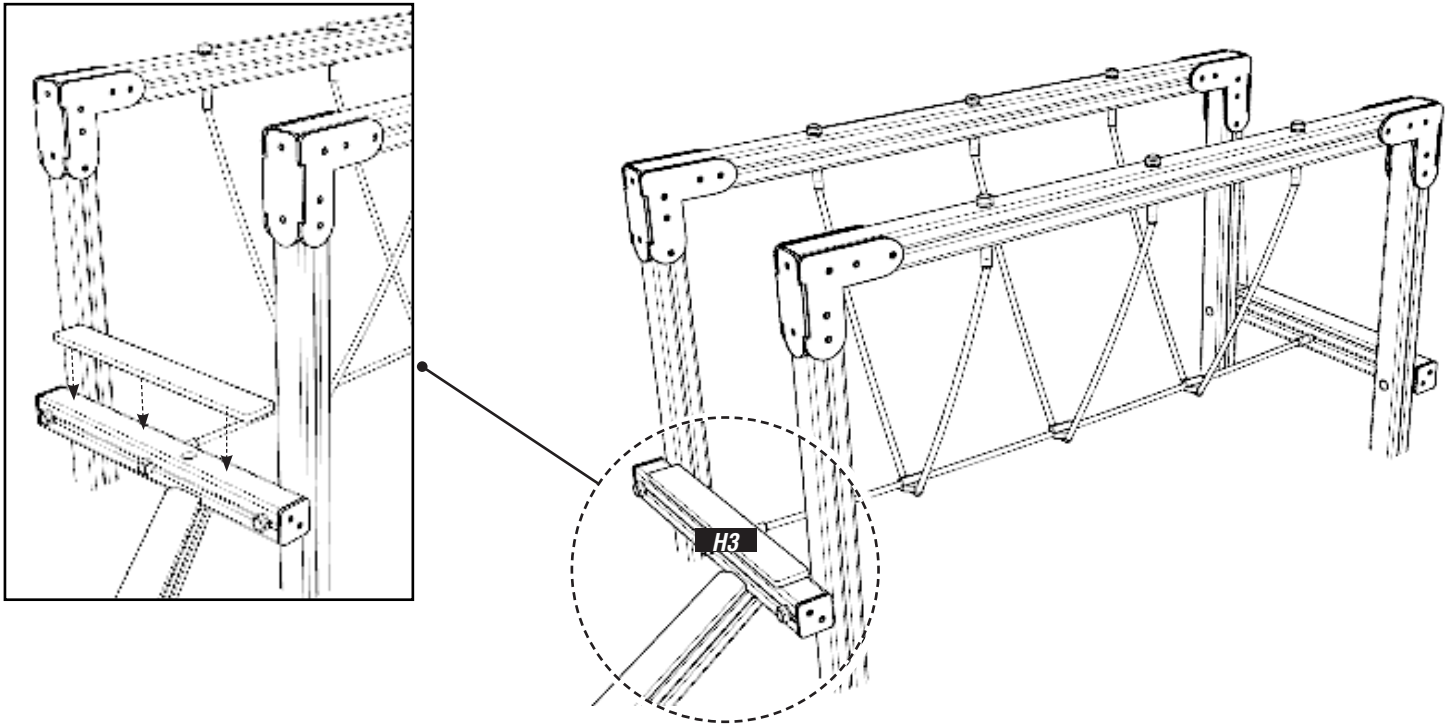
NOTES:
ATTACH PANEL ON OPPOSITE FACE TO BEAM
ONE LOWER PLAYTEC PANEL HAS HOLE DRILLED FOR BOLT (SEE CNC)



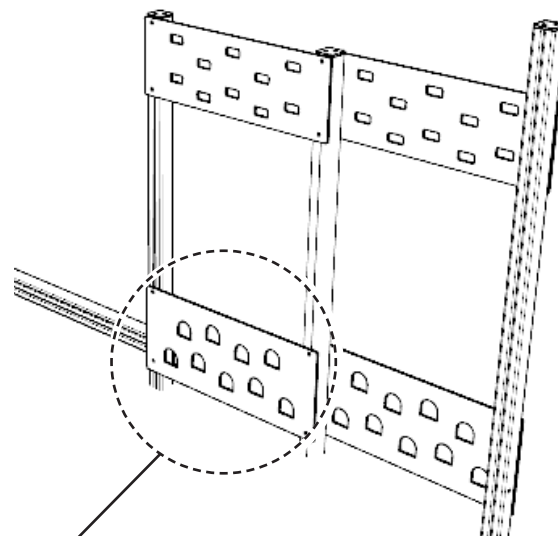
220 BOLT

INSTALLATION INSTRUCTIONS

7 ATTACH H3 HEXBOARD SLAT USING 8X80MM WOOD SCREWS TO COVER COUNTERSUNK BOLT

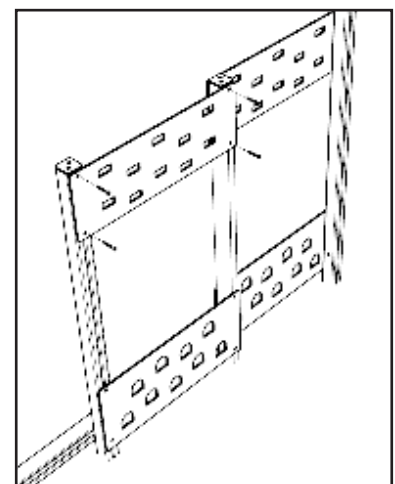


8 ATTACH REMAINING 3 PLAYTEC CLIMBING PANELS USING 8X80MM WOOD SCREWS



NOTES:
ENSURE SECOND SET OF PANELS
ARE ON OPPOSITE FACE TO FIRST

NOTES:
THIS PANEL IS ALREADY ATTACHED AS
PER STEP 6

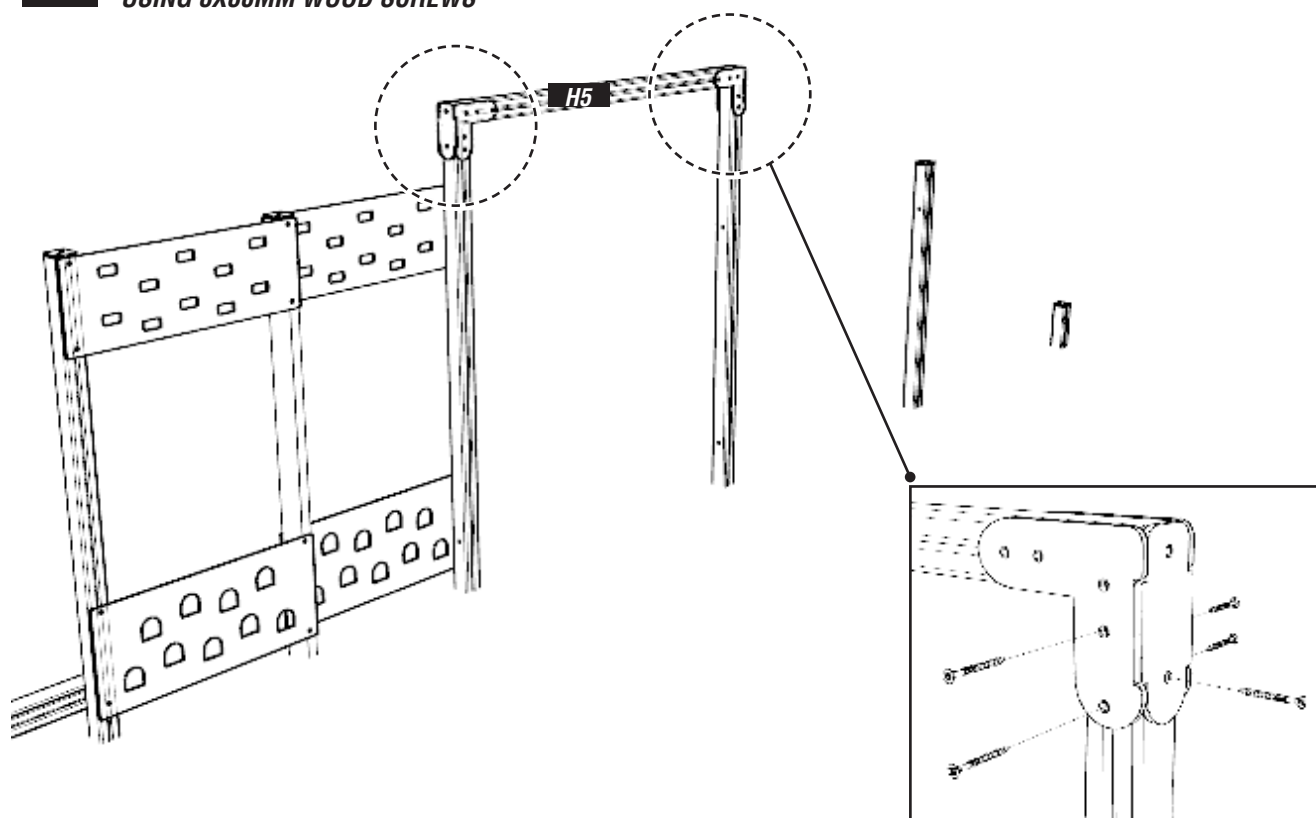


INSTALLATION INSTRUCTIONS

9

ATTACH TIMBER H5 USING PLAYTEC L'S

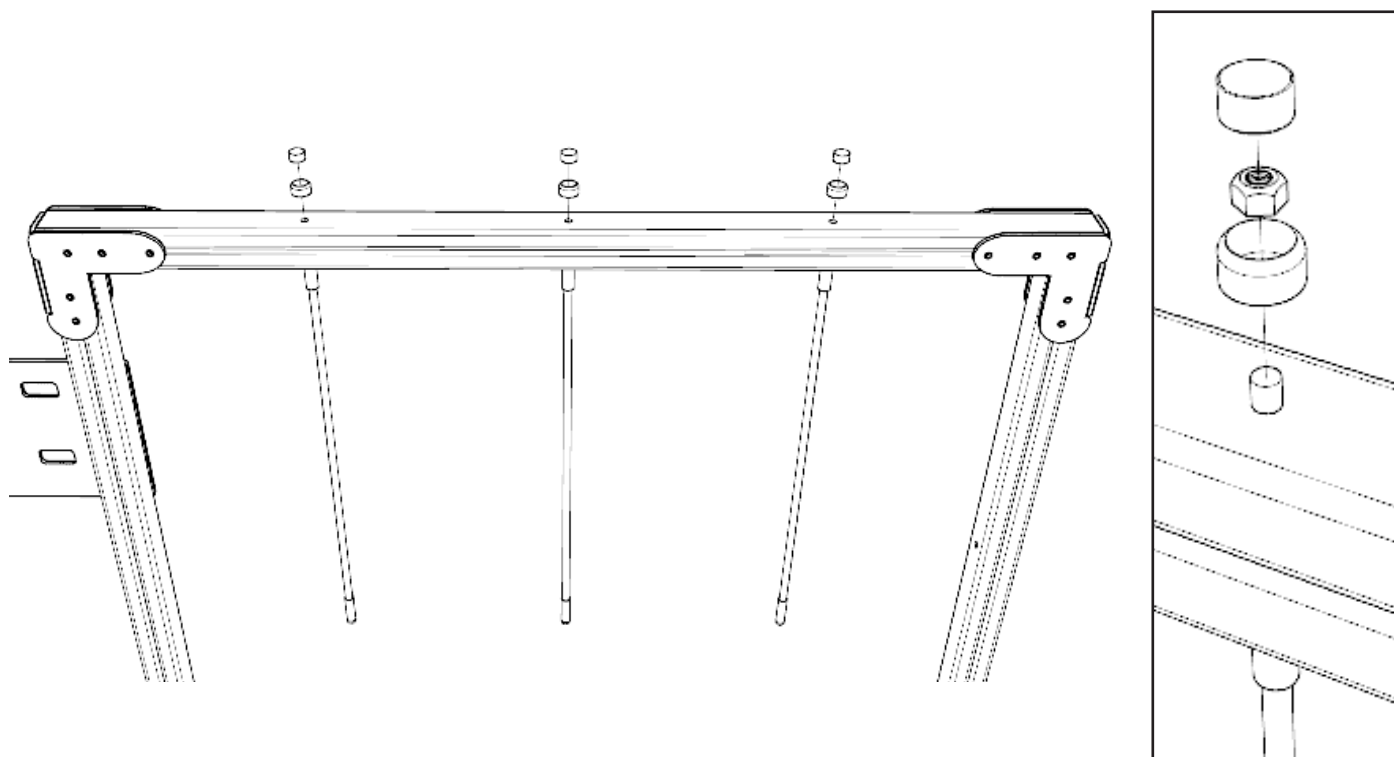
USING 8X80MM WOOD SCREWS



10

ATTACH SWINGING ROPES TO TIMBER H5

USING 656.M12 / 102003-01

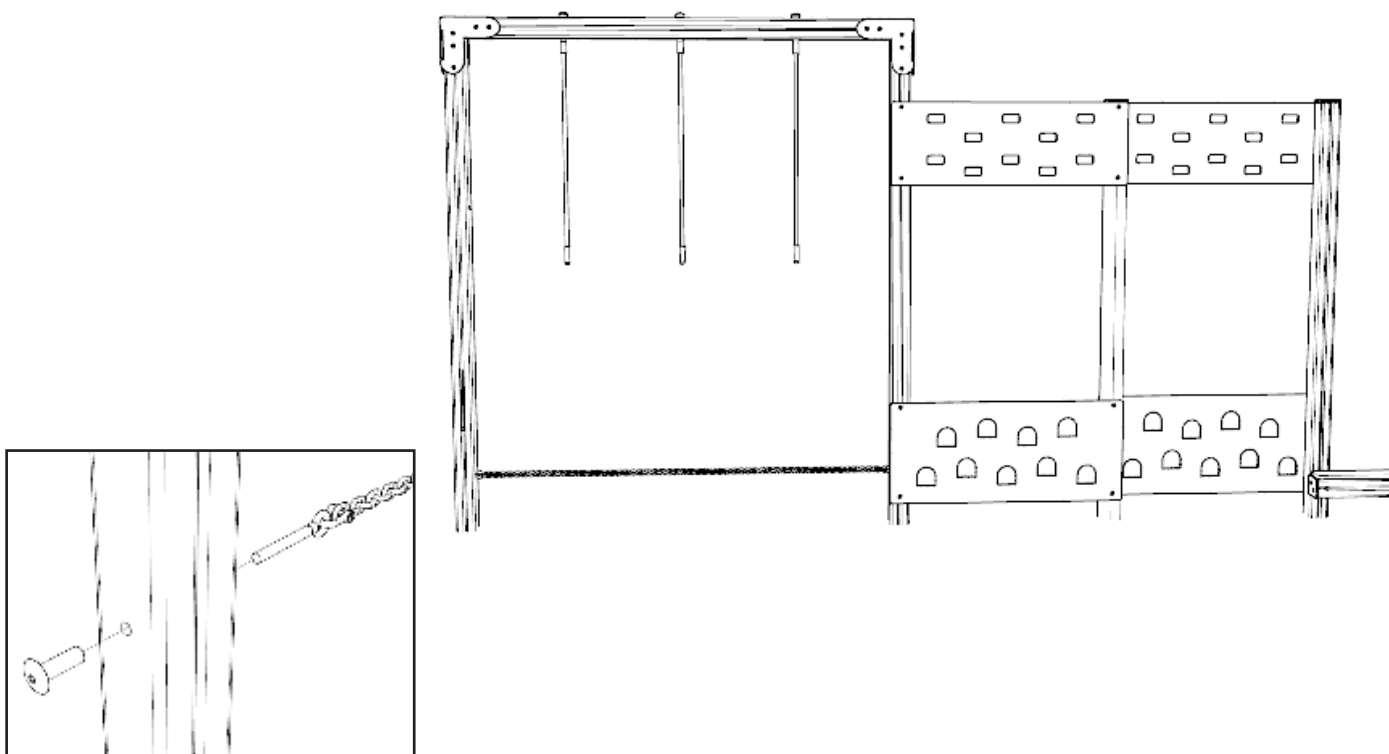


INSTALLATION INSTRUCTIONS

11

ATTACH SWINGING ROPE CHAIN

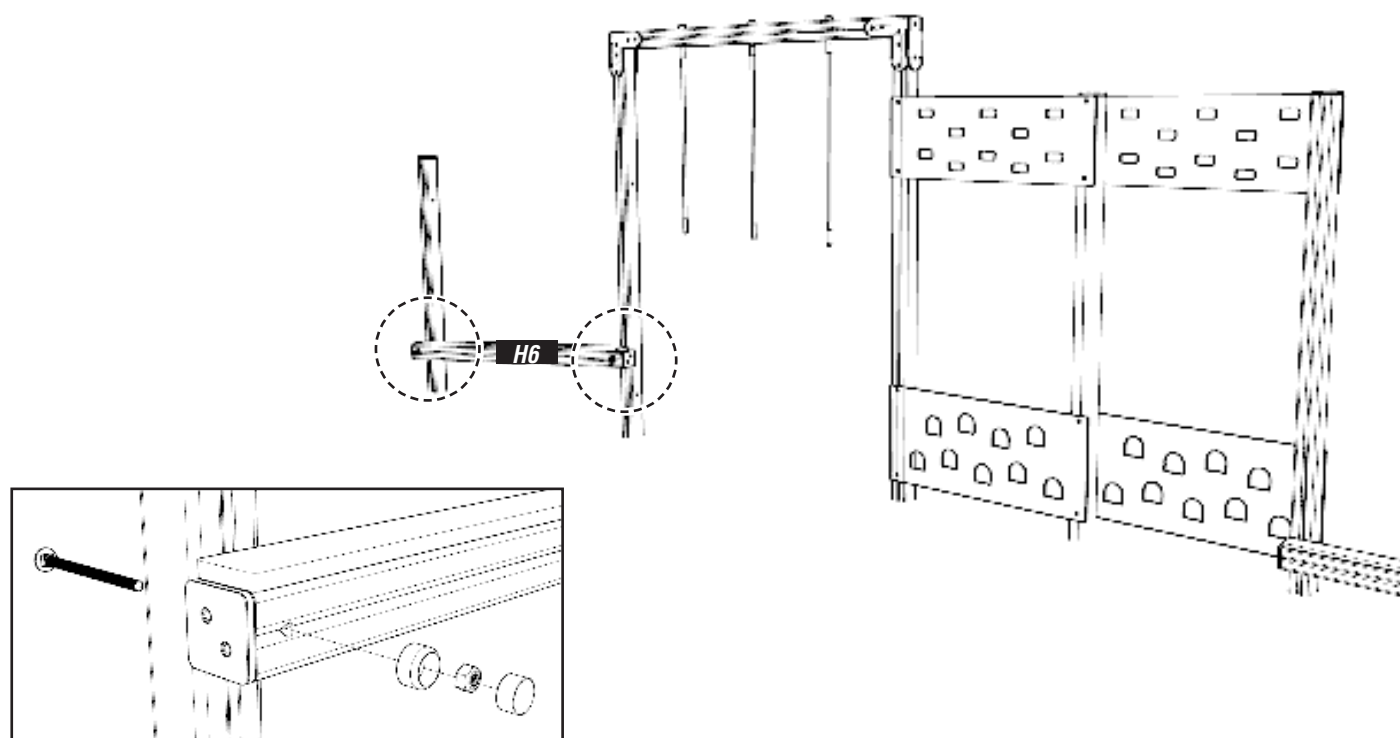
USING M12 X 50MM SOCKET NUT, D - SHACKLE AND EYEBOLT SHOULD BE PRE-ATTACHED TO CHAIN



12

ATTACH TIMBER H6

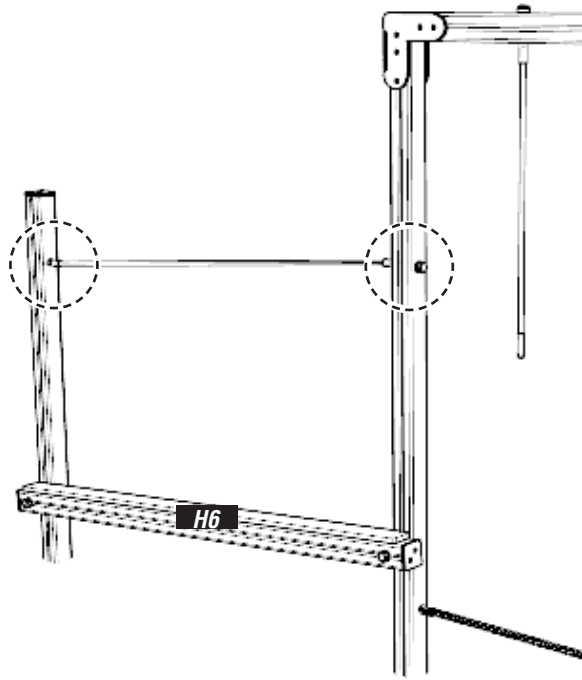
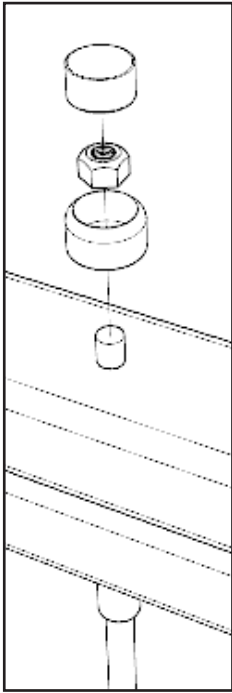
USING 274.M12X200 / 656.M12 / 102003-01



INSTALLATION INSTRUCTIONS

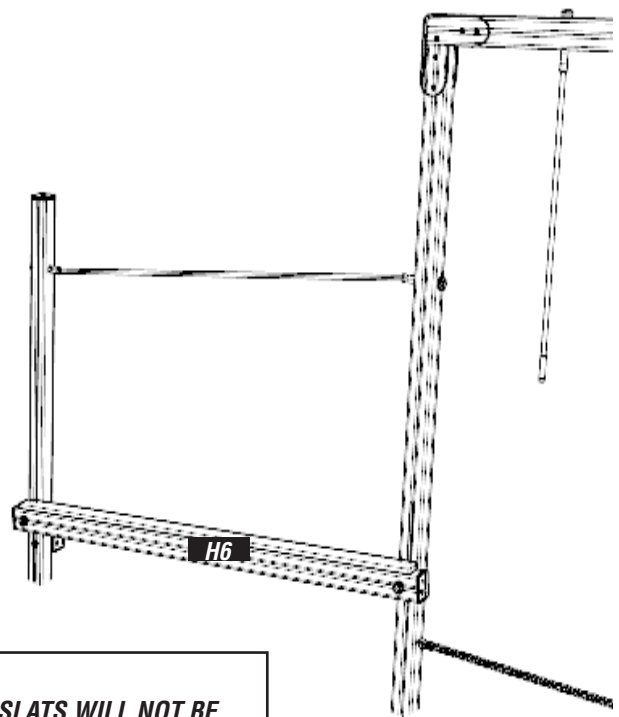
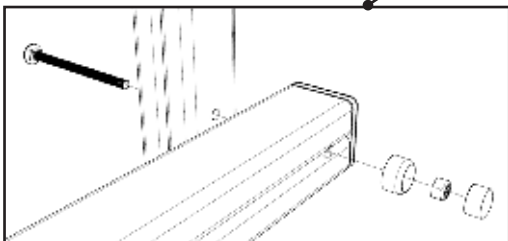
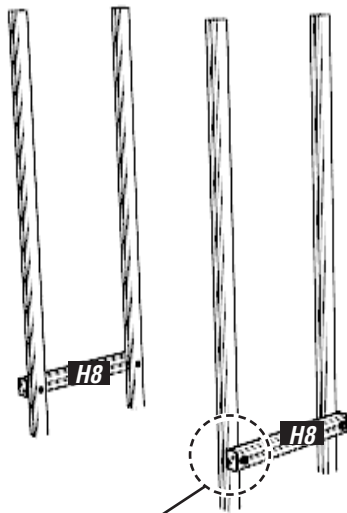
13

ATTACH TRAVERSE ROPE ABOVE TIMBER H6
USING 656.M12 / 102003-01



14

ATTACH H8 TIMBERS
USING 274.M12X200 / 656.M12 / 102003-01



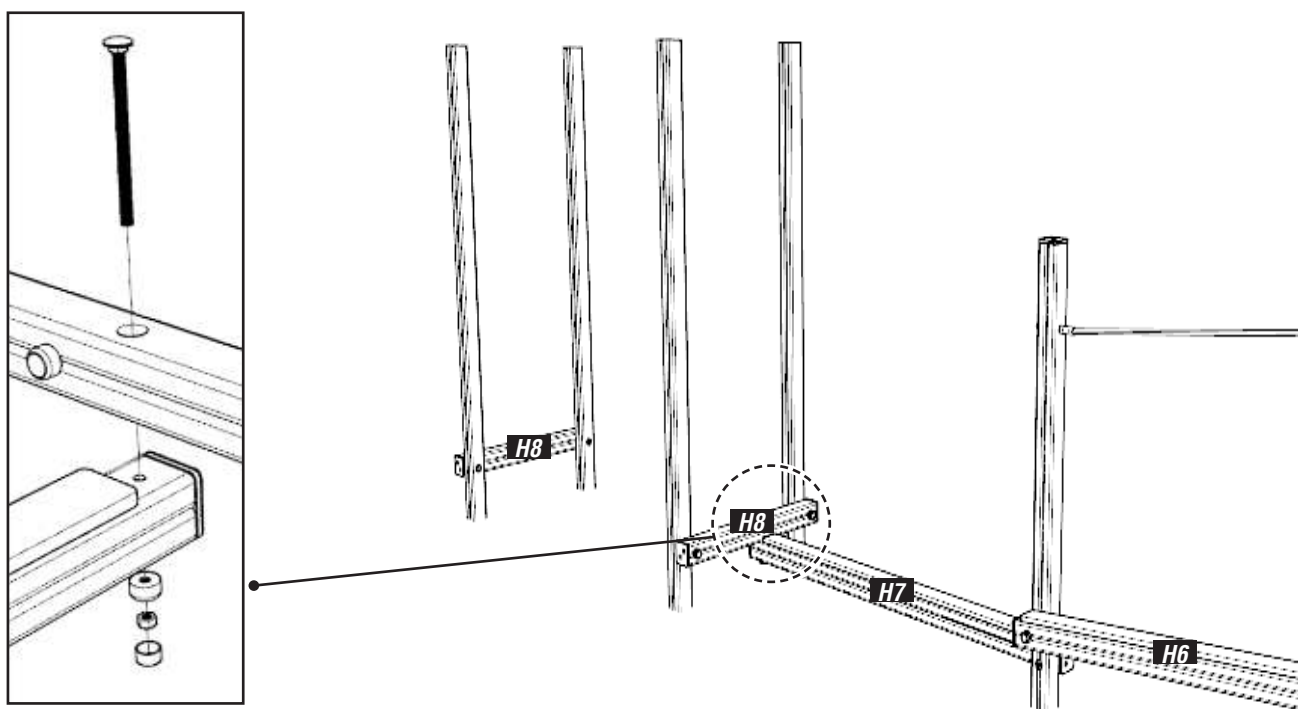
NOTES:
H8 HEXBOARD SLATS WILL NOT BE
ATTACHED UNTIL STEP 21

INSTALLATION INSTRUCTIONS

15

ATTACH TIMBER H7

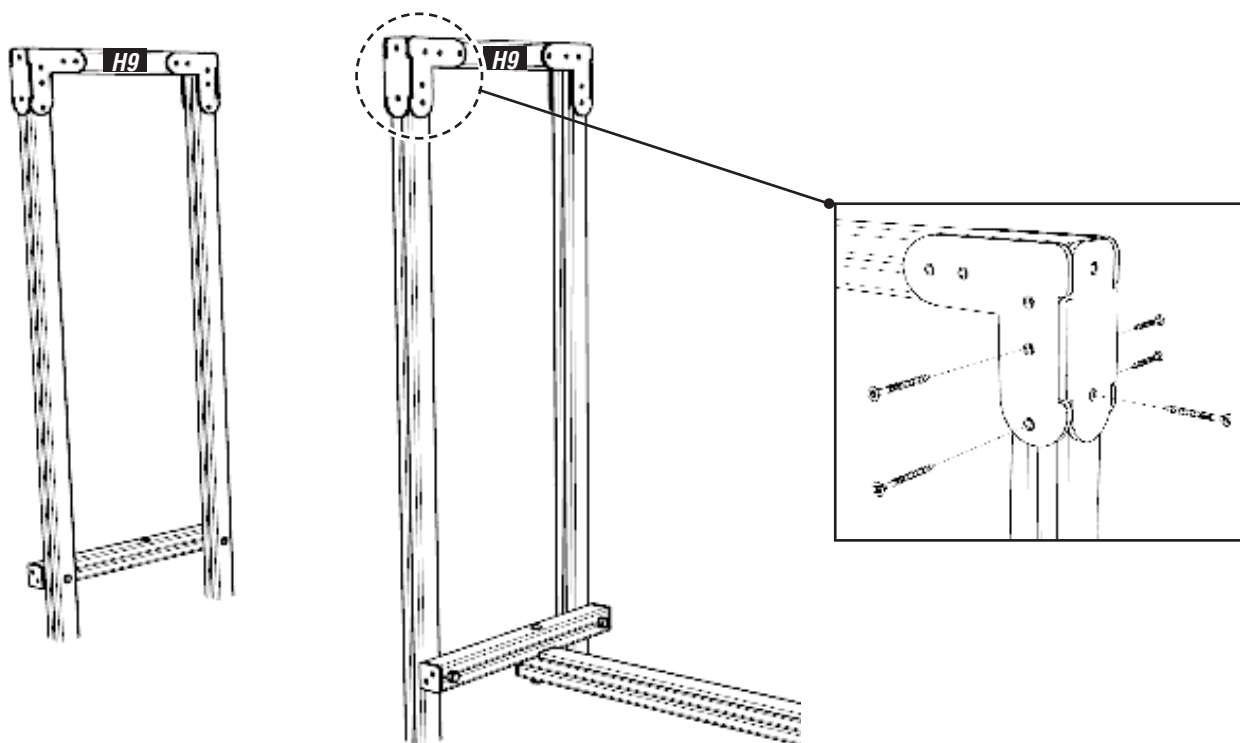
USING 274.M12X180 & 200 / 656.M12 / 102003-01



16

ATTACH H9 TIMBERS USING PLAYTEC L'S

USING 8X80MM WOOD SCREWS

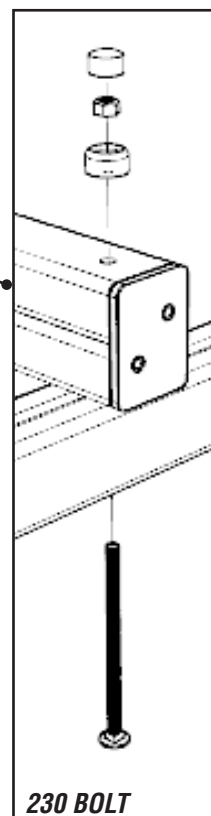
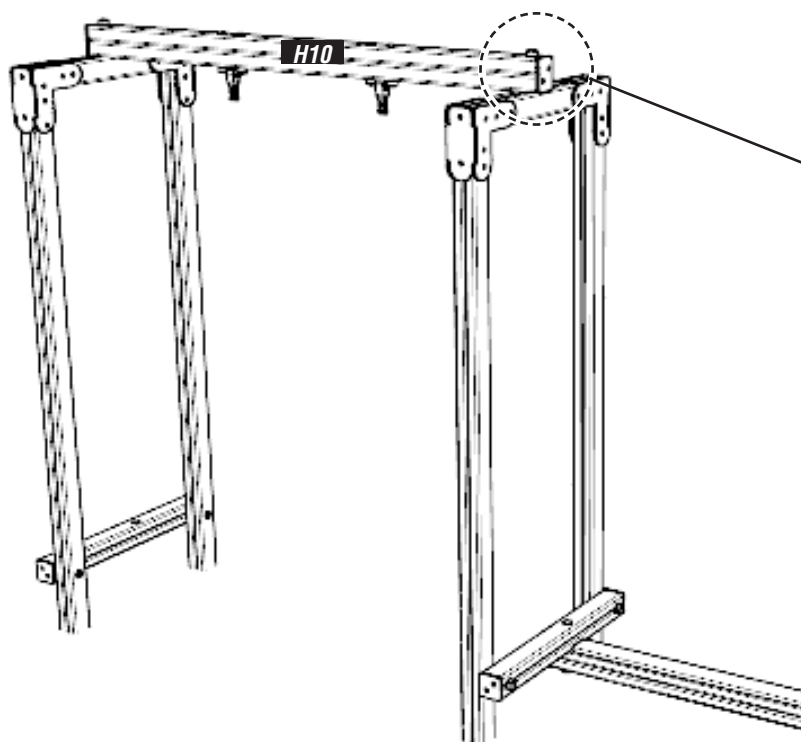


INSTALLATION INSTRUCTIONS

17

ATTACH TIMBER H10

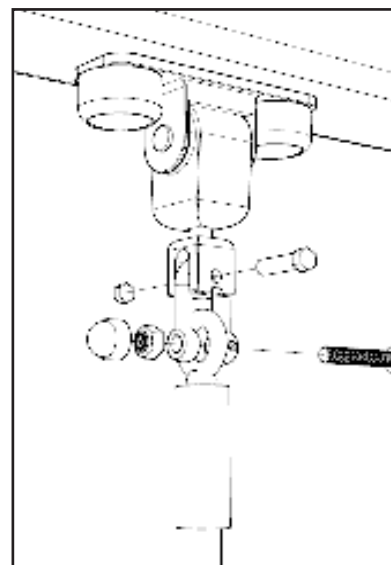
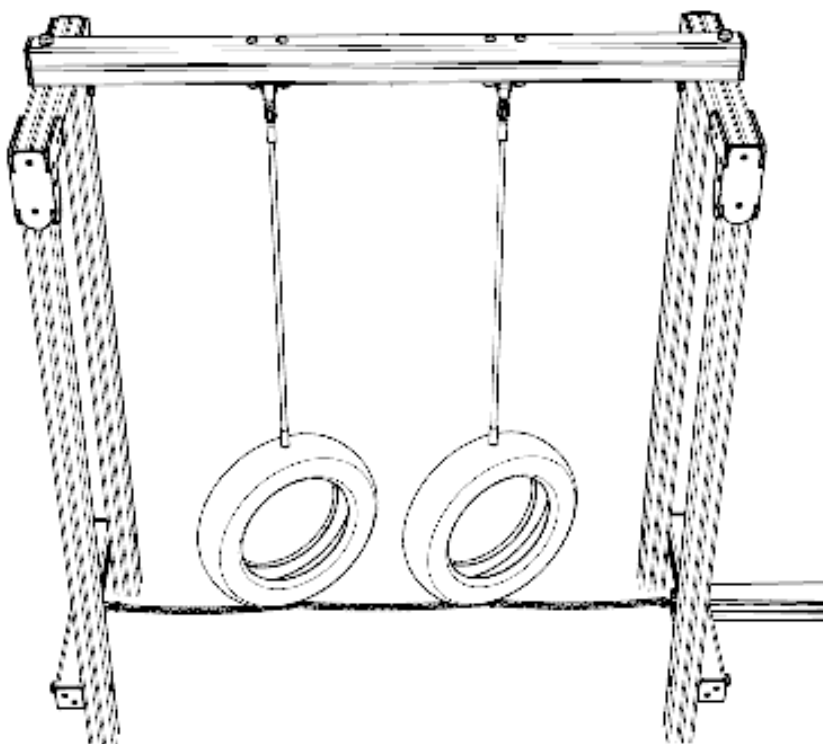
USING 274.M12X230 / 656.M12 / 102003-01



18

ATTACH TYRES

USING D - SHACKLE SETS AS SHOWN

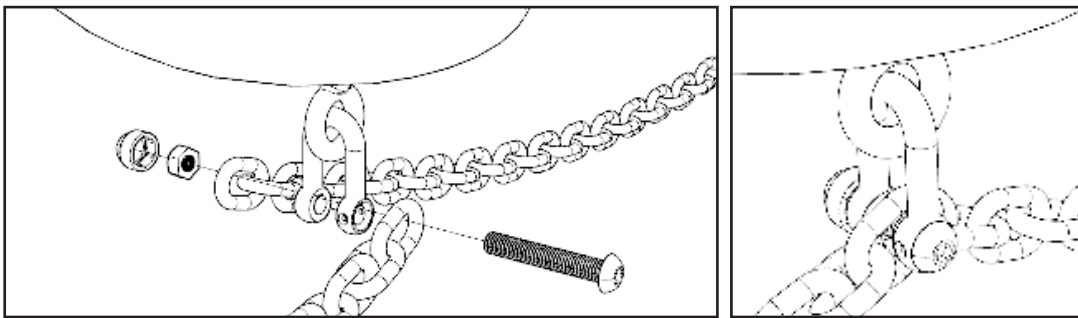
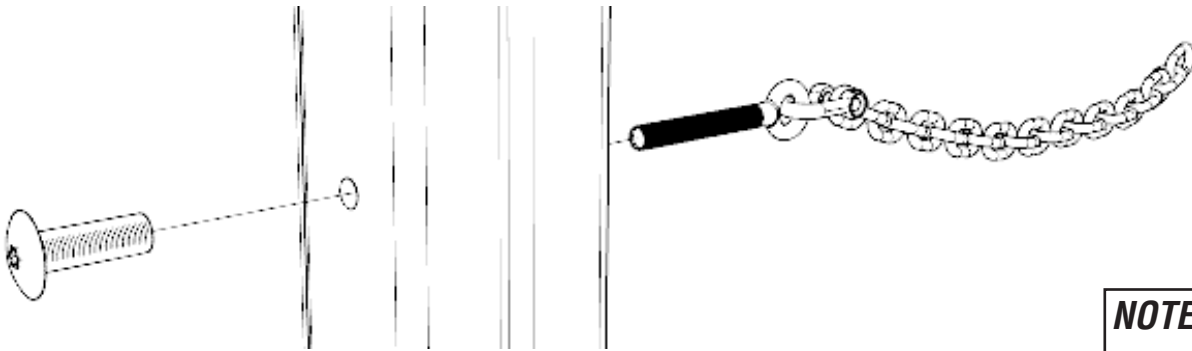


INSTALLATION INSTRUCTIONS

19

ATTACH TYRE CHAINS

USING M12 X 50MM SOCKET NUT ON EYEBOLT CHAINS & D- SHACKLE SETS ON MIDDLE CHAINS



NOTES:

REPEAT EYEBOLT CHAIN ON BOTH SIDES

ATTACH MIDDLE CHAINS TO TYRES AS SHOWN

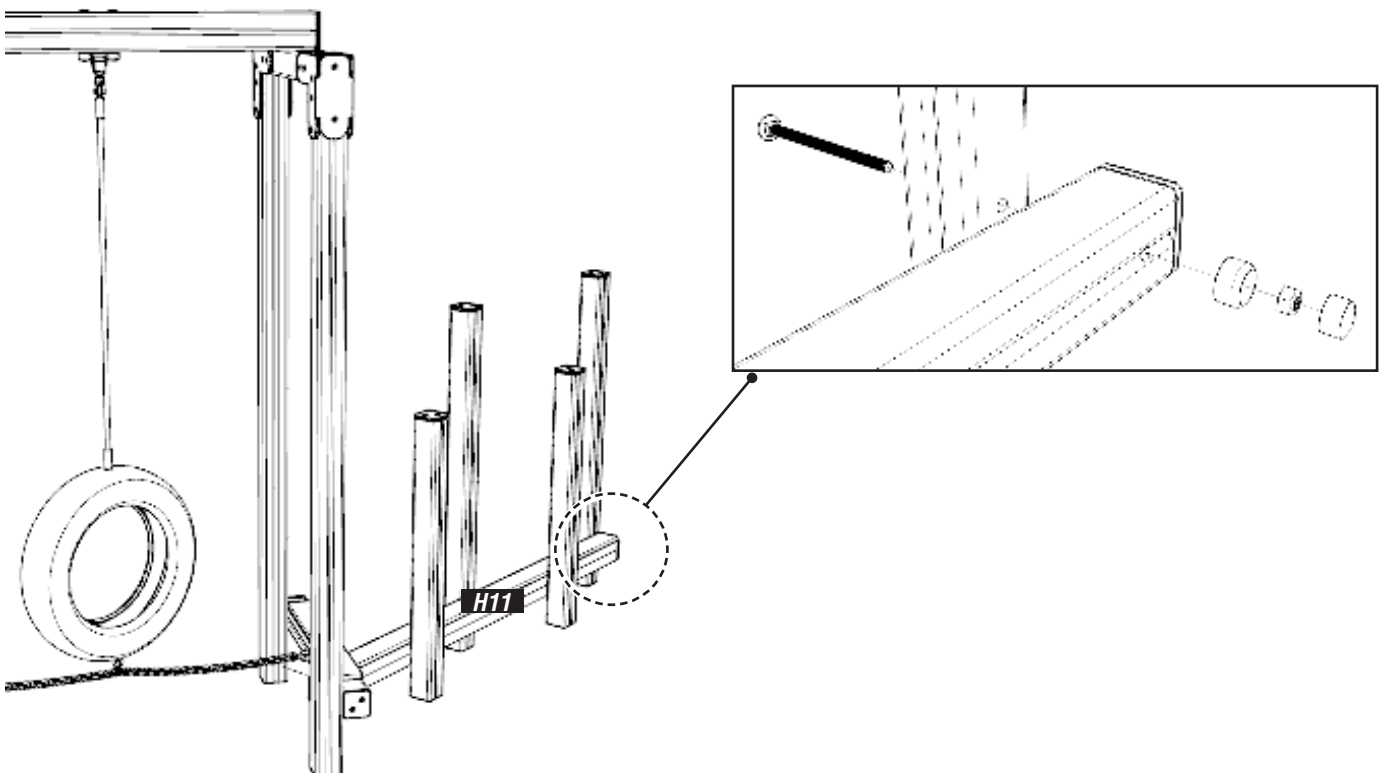
ENSURE CHAIN IS POSITION ON INSIDE OF D - RING

REMOVE LINKS IF NECESSARY

20

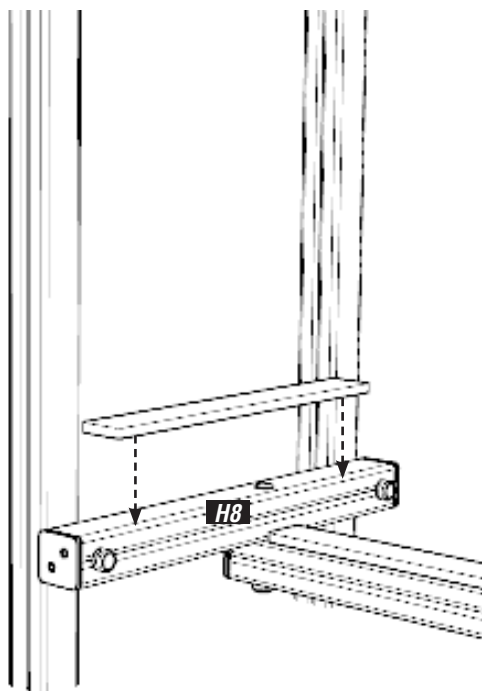
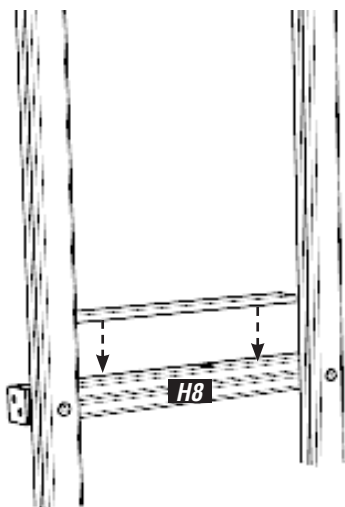
ATTACH TIMBER H11 TO WEAVING POST UPRIGHTS

USING 274.M12X180 & 200 / 656.M12 / 102003-01

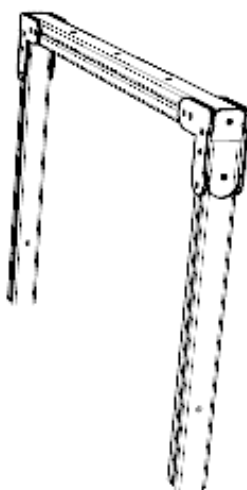
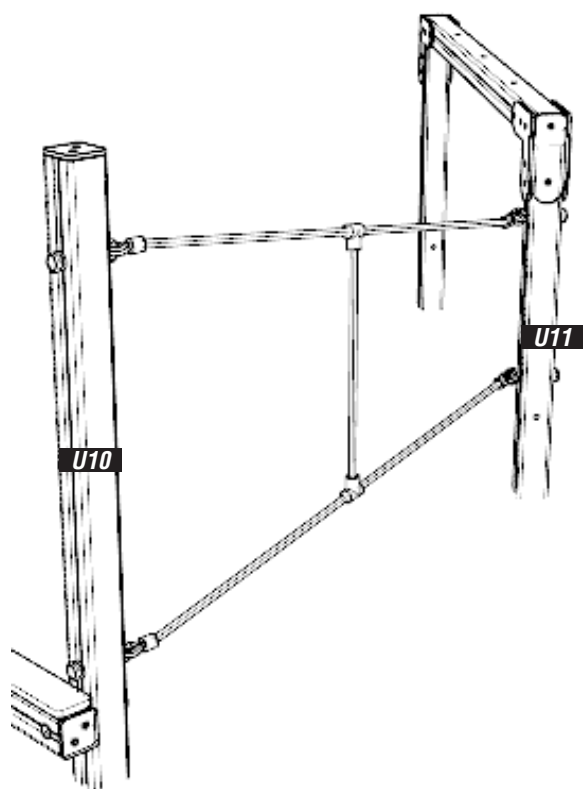


INSTALLATION INSTRUCTIONS

21 ATTACH H8 HEXBOARD SLATS USING 8X80MM WOOD SCREWS



22 ATTACH ROPE TRAVERSE TO TIMBERS U10 & U11 AS SHOWN USING 656.M10 / 102003-01



INSTALLATION INSTRUCTIONS

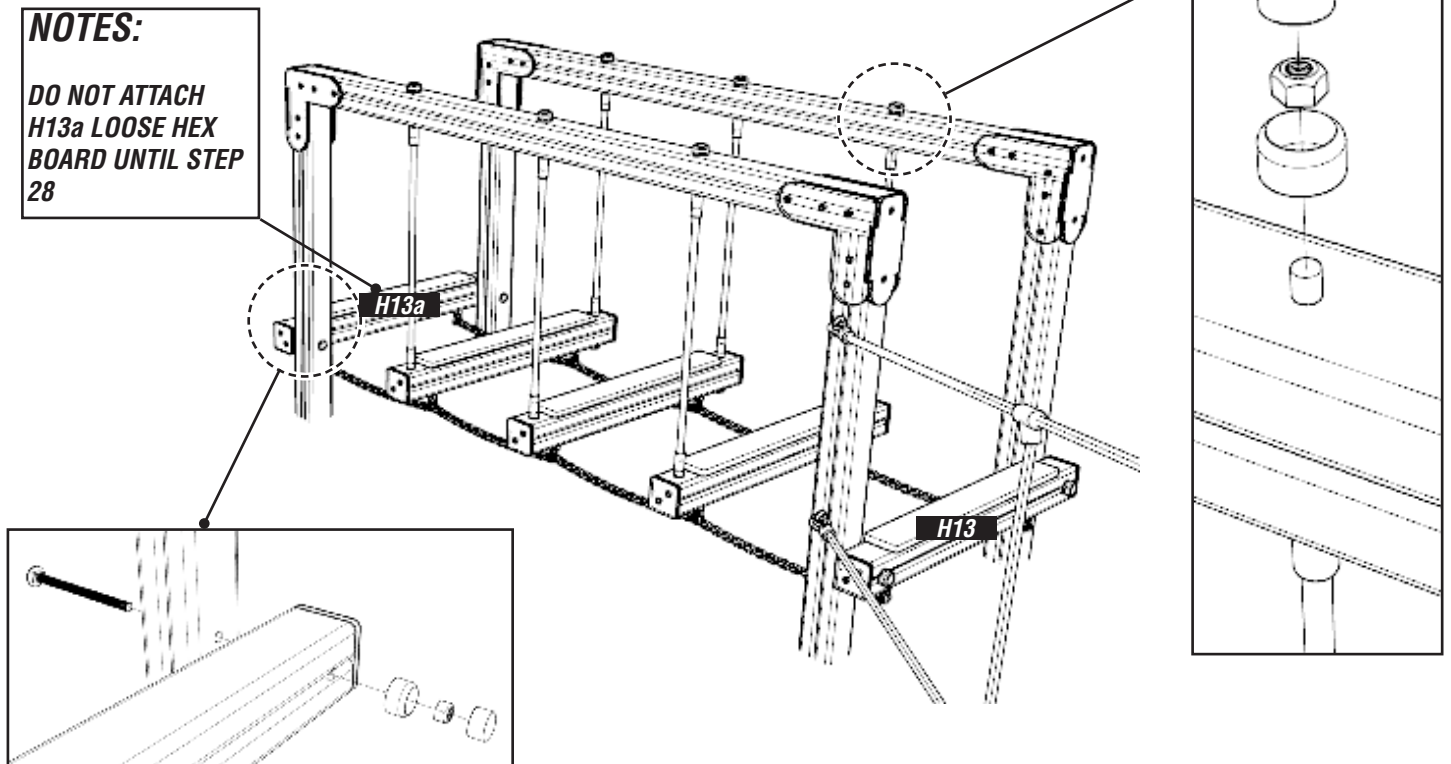
23

ATTACH LOG WALK

USING 656.M12 / 102003-01 / 274.M12X200

NOTES:

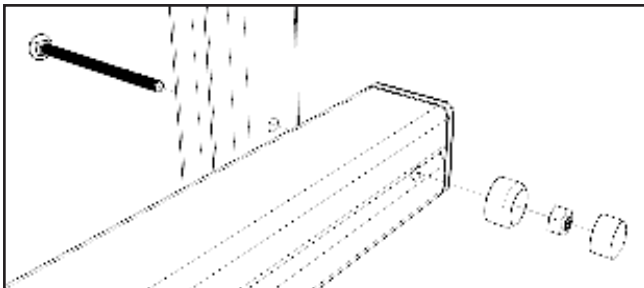
DO NOT ATTACH
H13a LOOSE HEX
BOARD UNTIL STEP
28



24

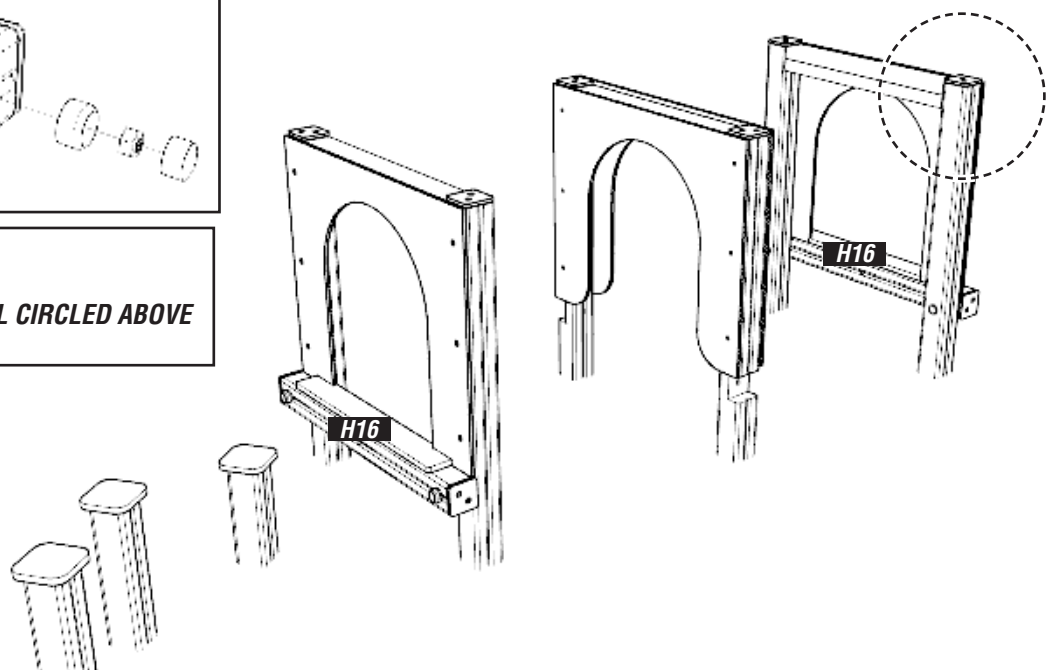
ATTACH H16 TIMBER

USING 274.M12X180 / 656.M12 / 102003-01



NOTES:

ENSURE THE PRE-ASSEMBLED PANEL CIRCLED ABOVE
INC THE LARGER 'CHAIN HOLE'

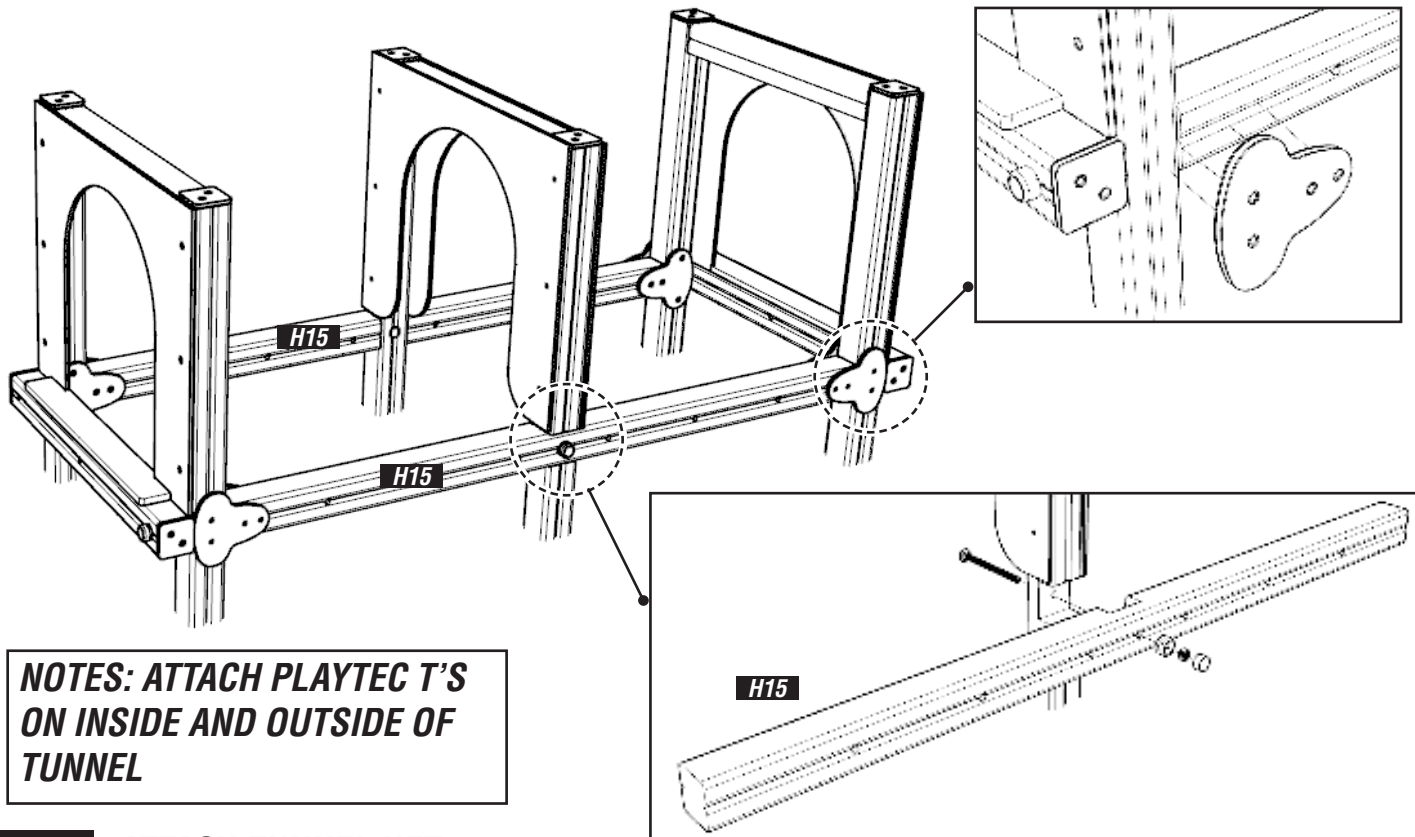


INSTALLATION INSTRUCTIONS

25

ATTACH H15 TIMBERS

USING PLAYTEC L'S / M8X80MM WOOD SCREWS / 274.M12X200 / 656.M12 / 102003-01

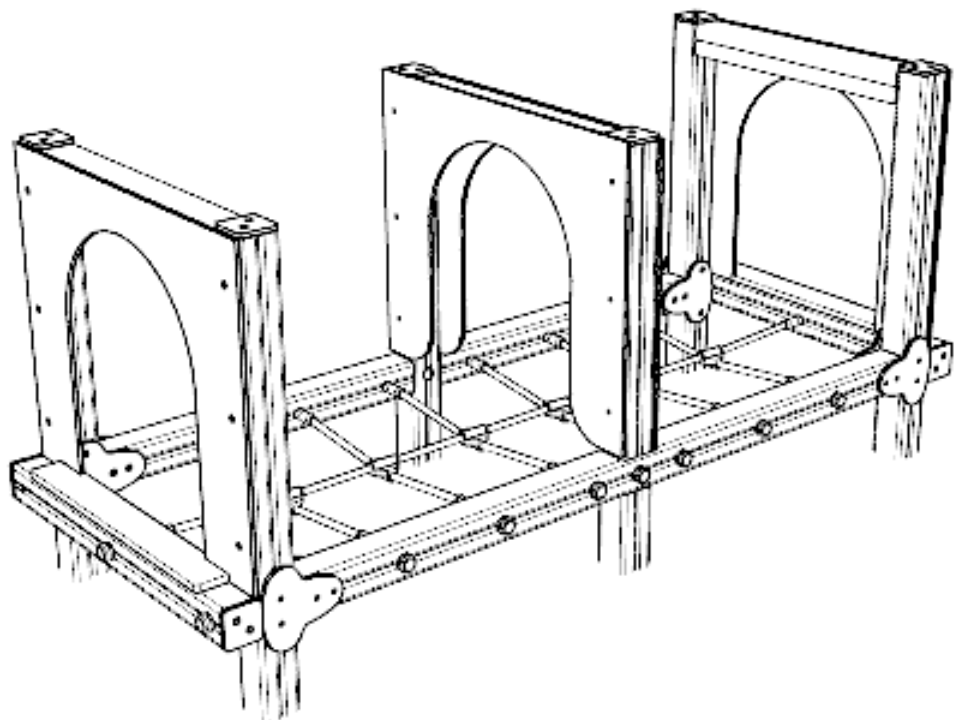
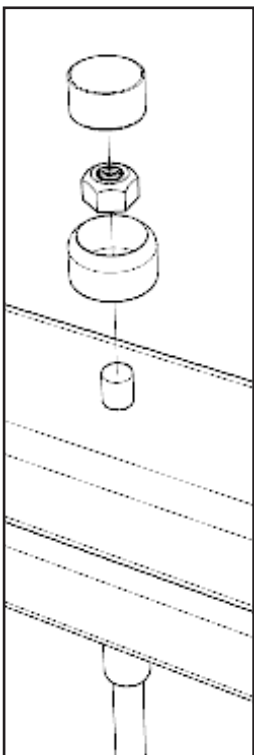


NOTES: ATTACH PLAYTEC T'S ON INSIDE AND OUTSIDE OF TUNNEL

26

ATTACH TUNNEL NET

USING 656.M12 / 102003-01

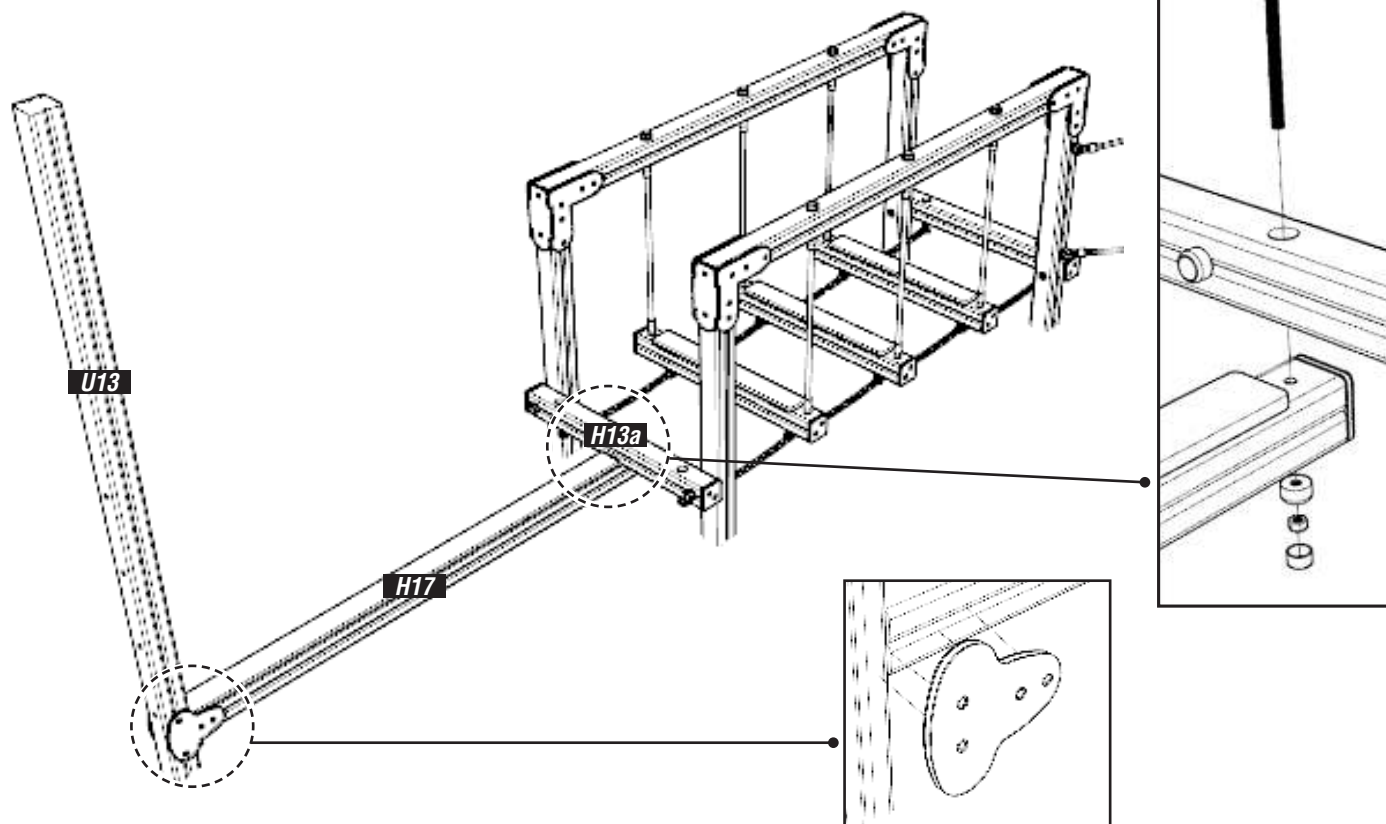


INSTALLATION INSTRUCTIONS

27

ATTACH TIMBER H17

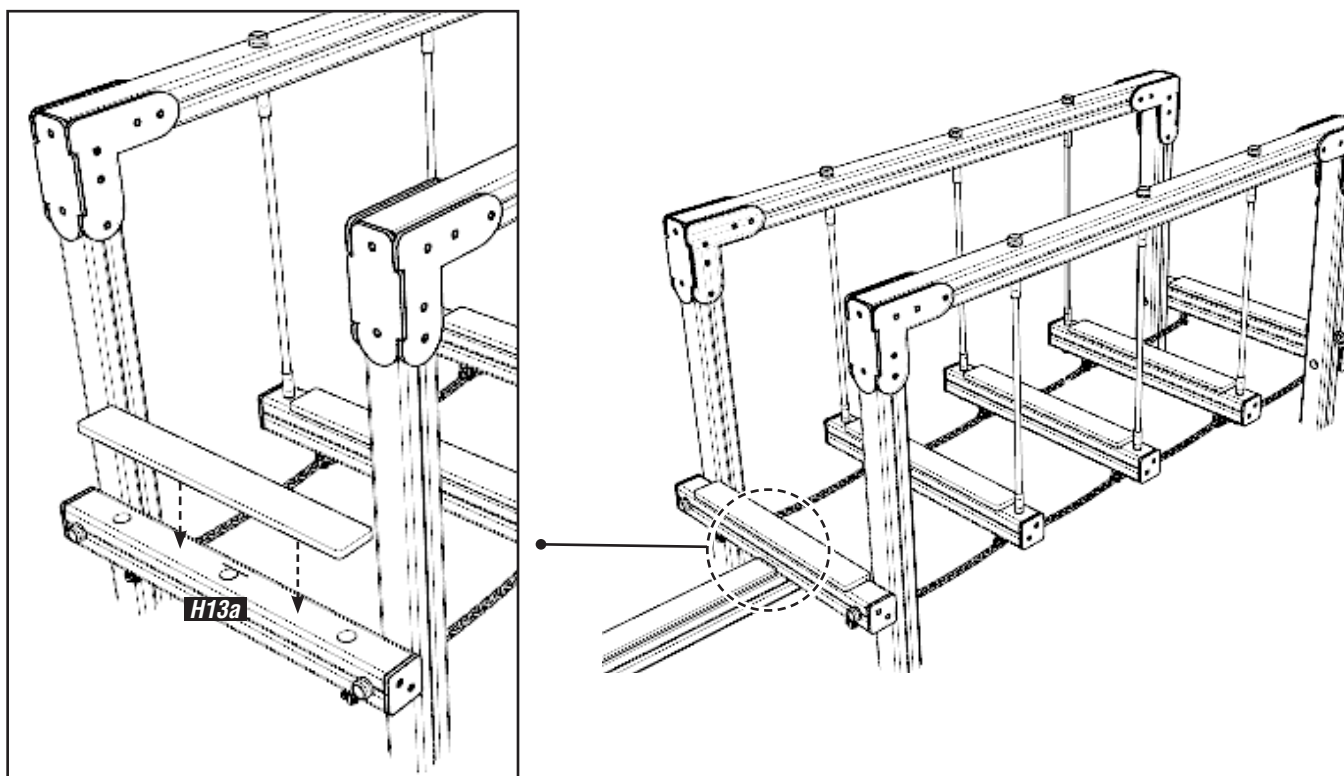
USING PLAYTEC L'S / M8X80MM WOOD SCREWS / 274.M12X180 / 656.M12 / 102003-01



28

ATTACH H13a TIMBER HEXBOARD SLATS

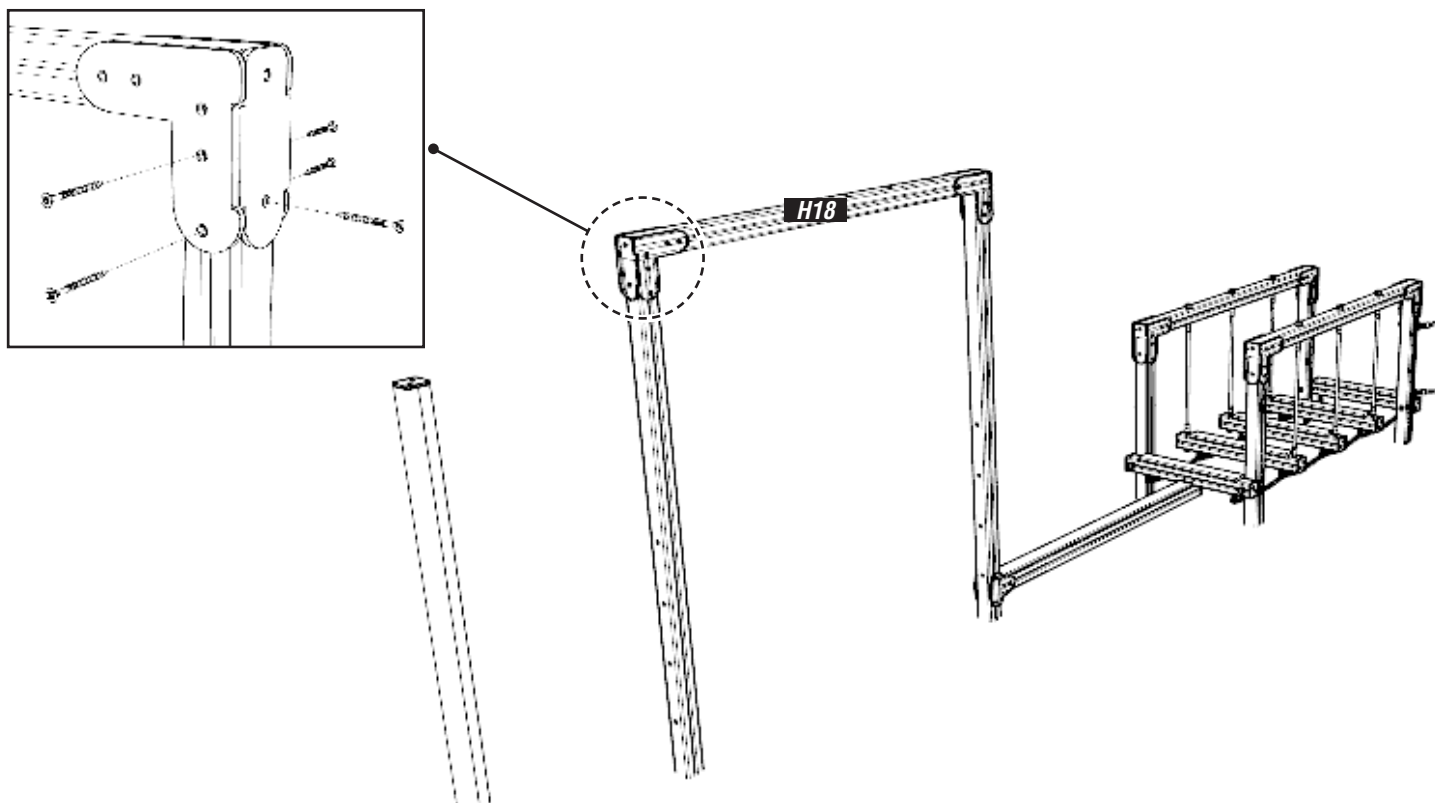
USING M8X80MM WOOD SCREWS



INSTALLATION INSTRUCTIONS

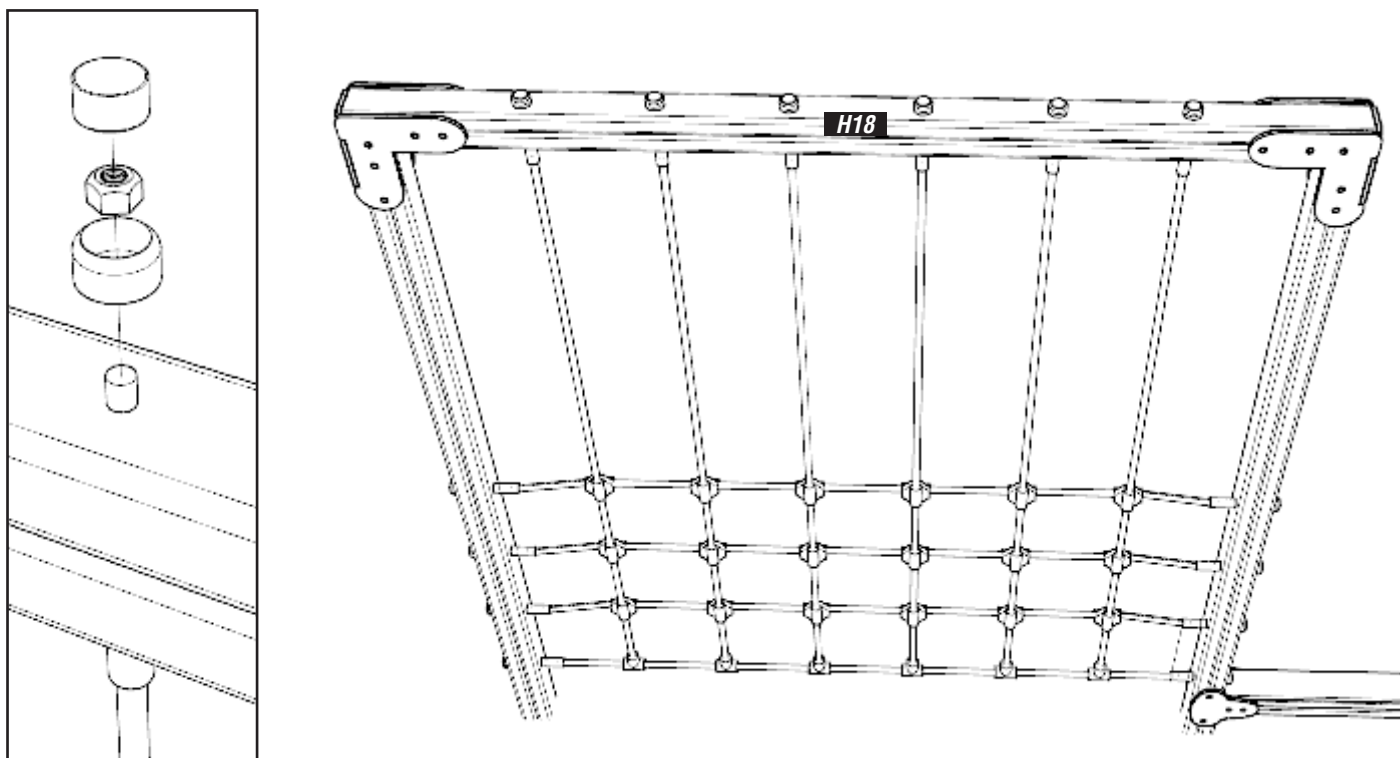
29

ATTACH TIMBER H18
USING M8X80MM WOOD SCREWS



30

ATTACH CARGO NET
USING PLAYTEC L'S / M8X80MM WOOD SCREWS / 656.M12 / 102003-01

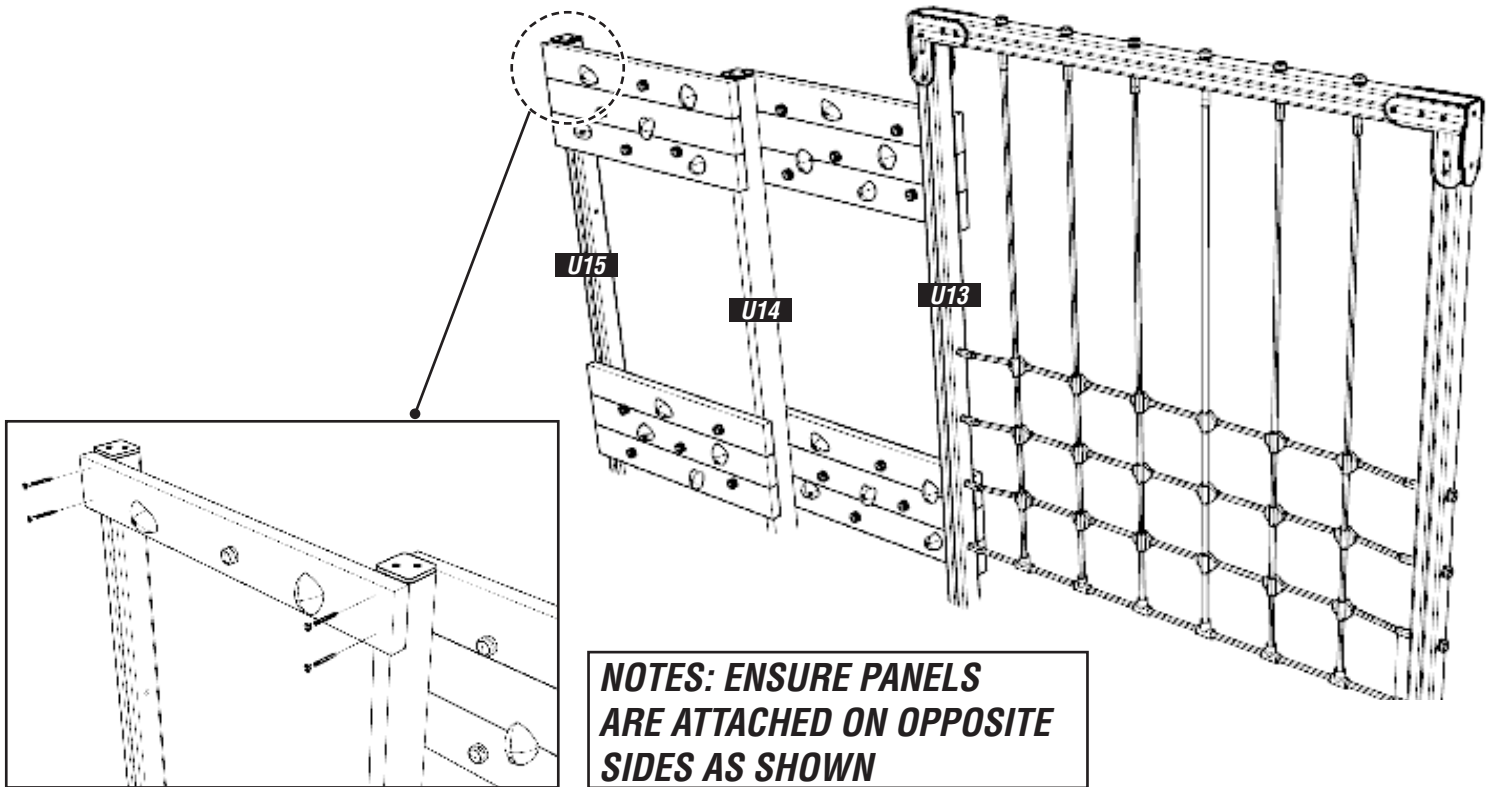


INSTALLATION INSTRUCTIONS

31

ATTACH TIMBER CLIMBING PANELS

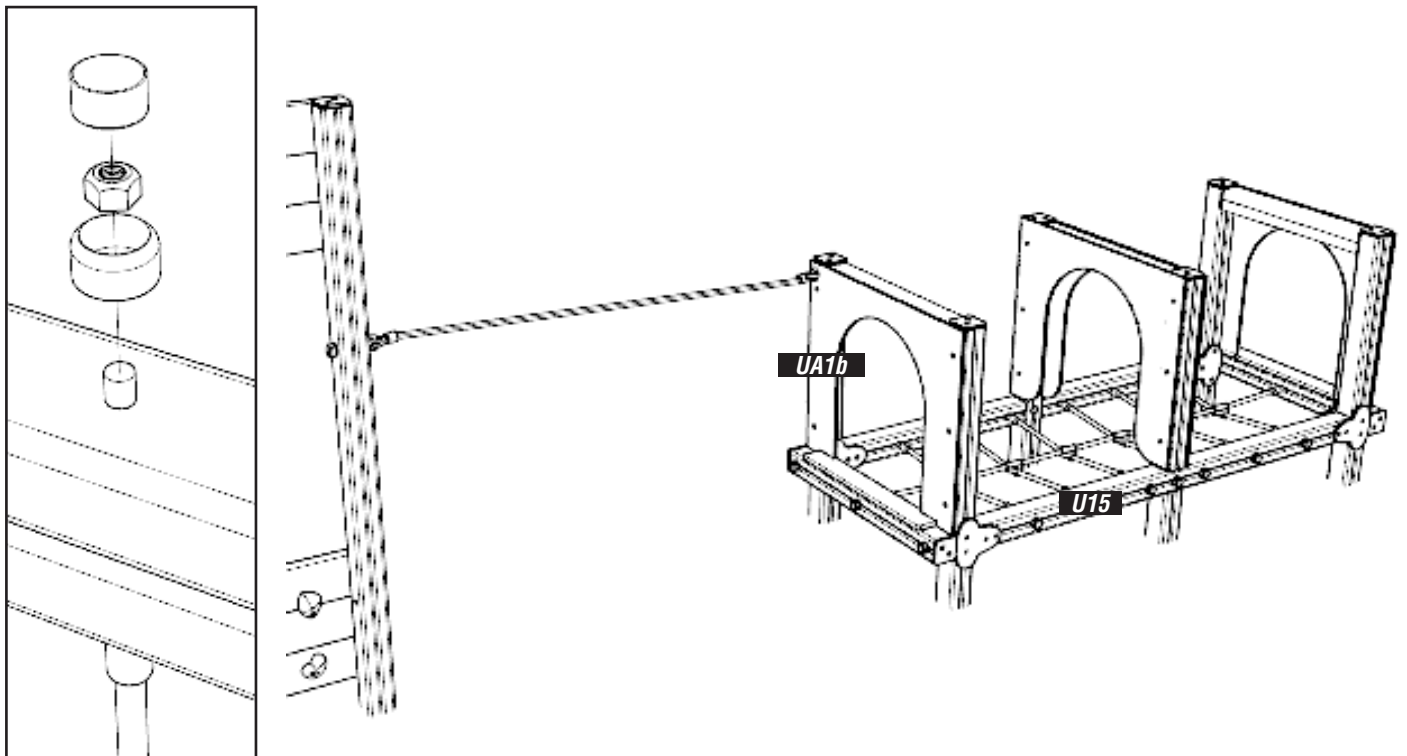
USING M8X80MM WOOD SCREWS, ENSURE SCREWS DO NOT "CROSS"



32

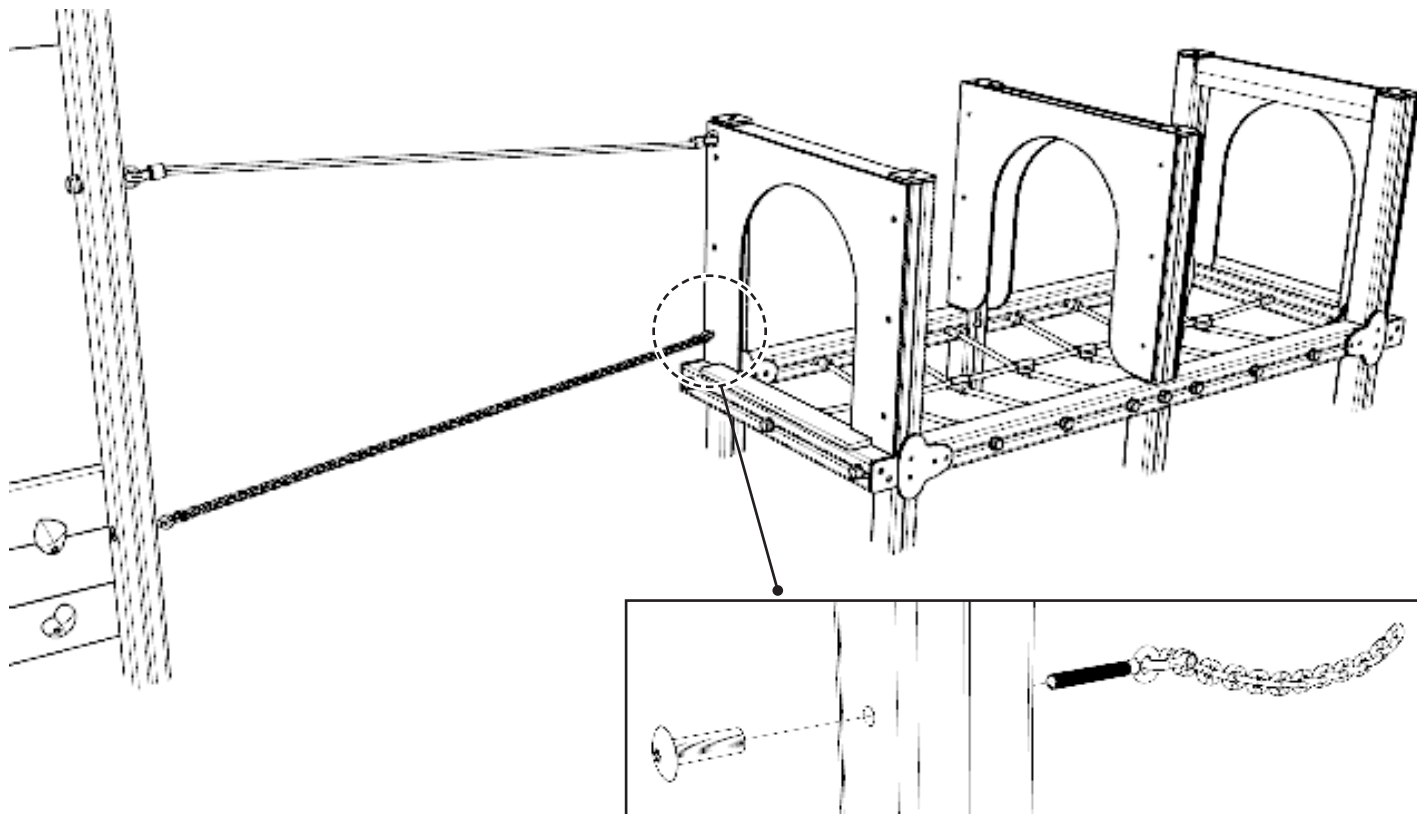
ATTACH TRAVERSE ROPE 3

USING 656.M10 / 102003-01

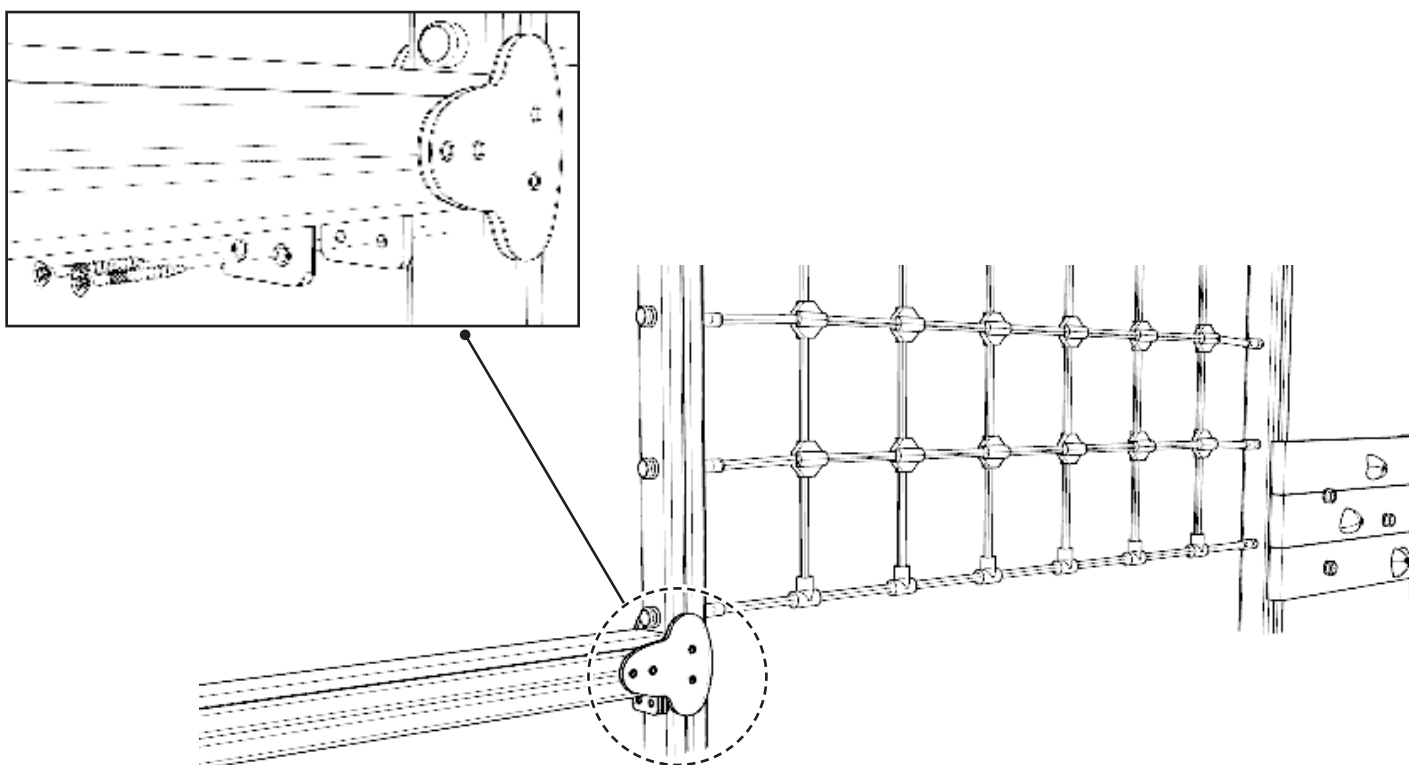


INSTALLATION INSTRUCTIONS

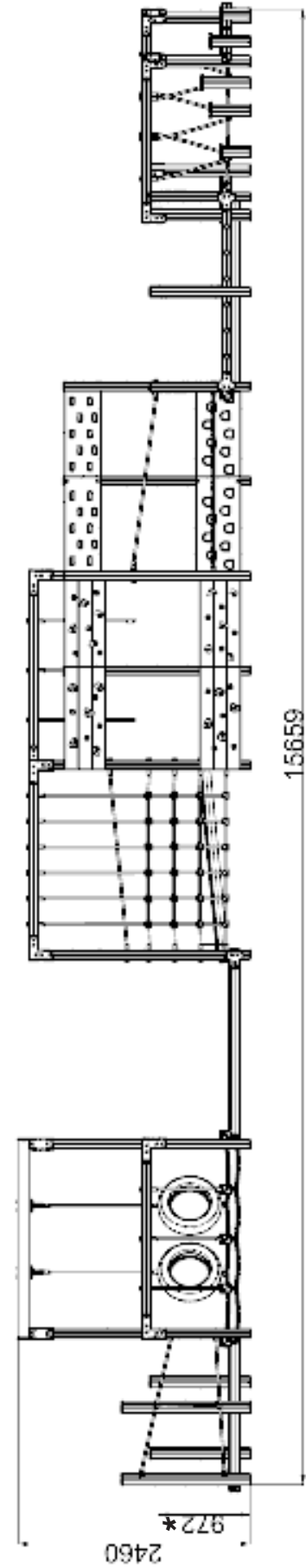
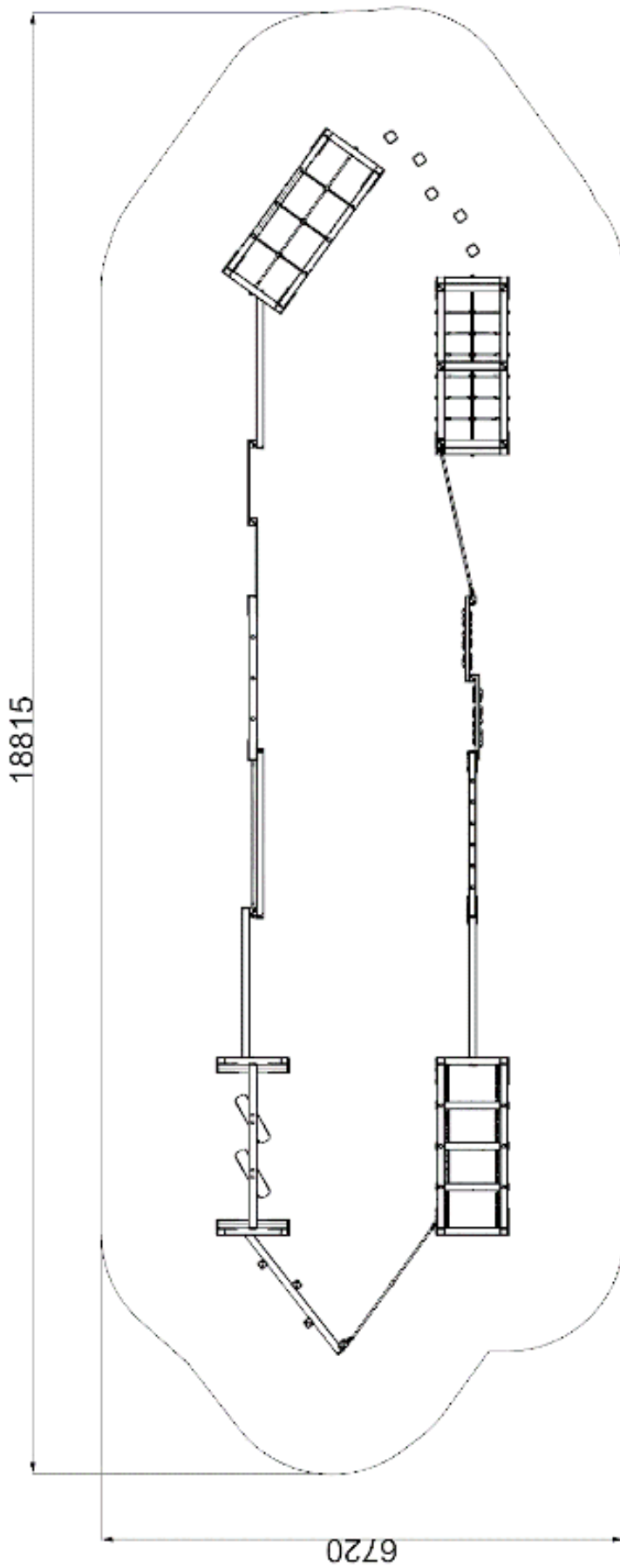
33 ATTACH TRAVERSE ROPE CHAIN USING M12 X 50MM SOCKET NUT ON EYEBOLT CHAINS



34 ATTACH H17 UNDER BRACKETS USING M8X80MM WOOD SCREWS



ADDITIONAL DIMENSIONS



*** MAX FALL HEIGHT**