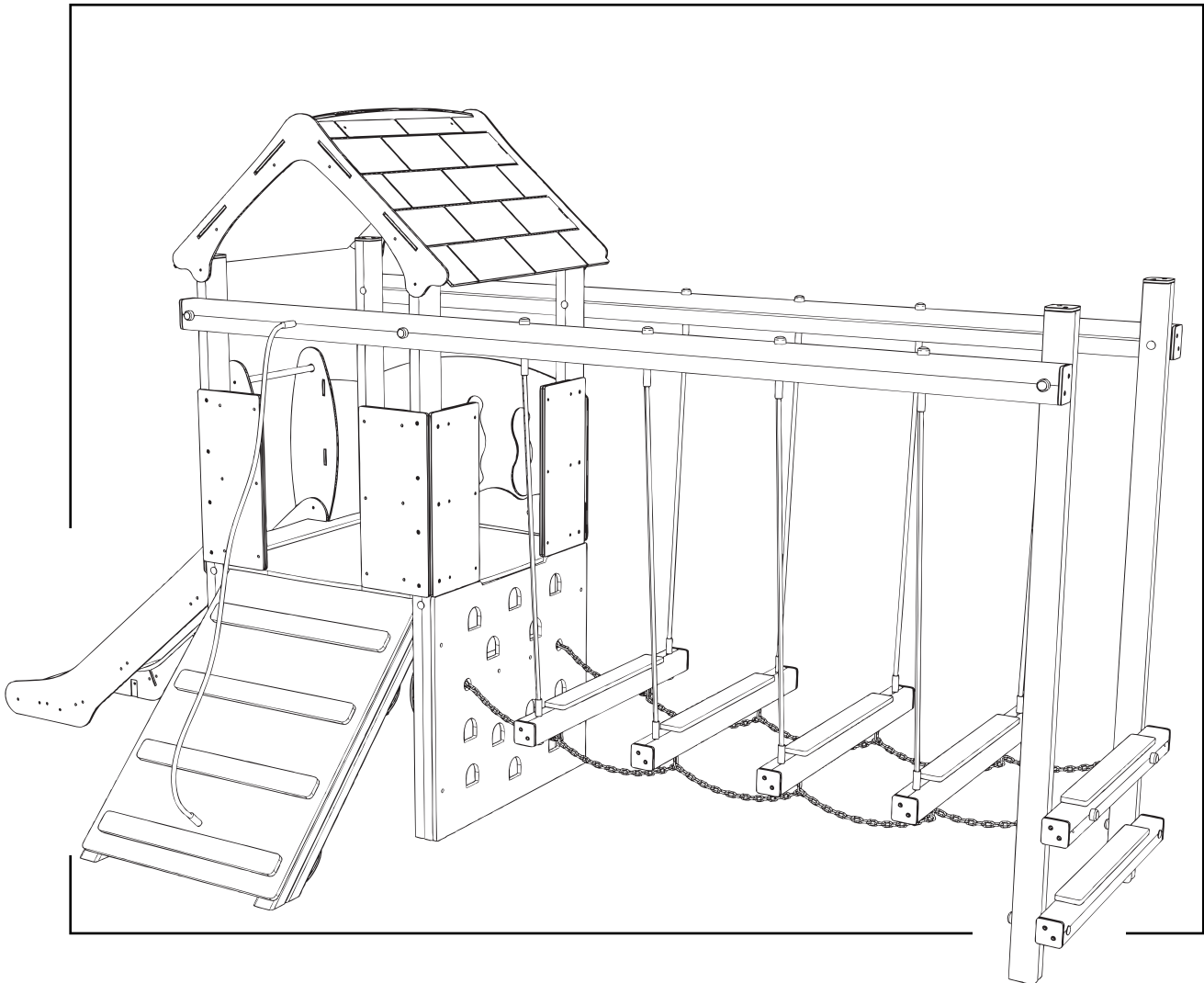


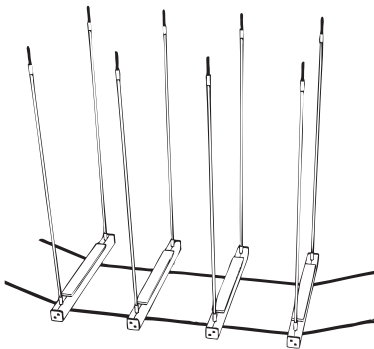
FLEET ACTIVITY CENTRE

Installation Instructions

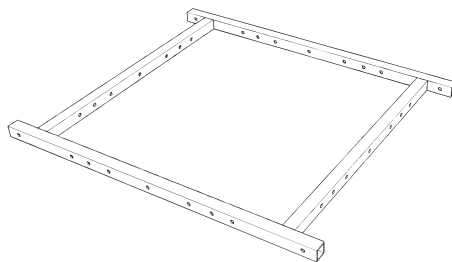
**creative
play**



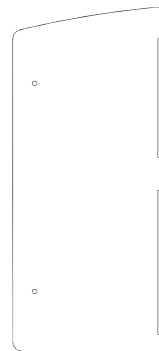
PARTS required



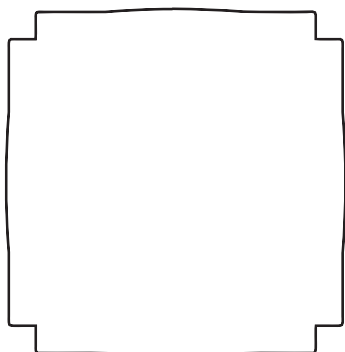
x1 (Log Walk Pre-assembly)



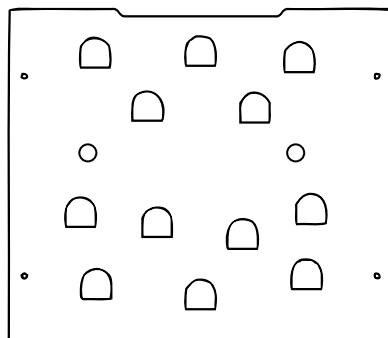
x1 (ZENITH STANDARD FLOOR 90x90)



x1 LEFT (SLIDE SIDE)

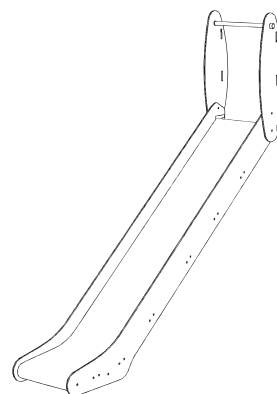


x1 (90 x 90 FLOOR)

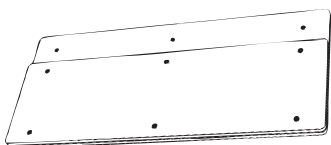


x1 (1m CLIMBING WALL)

x1 RIGHT (SLIDE SIDE)

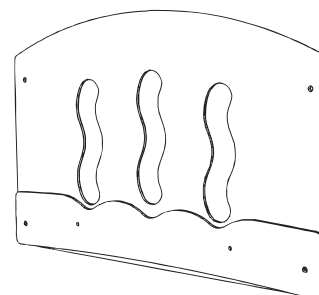


x1 (1m SLIDE)

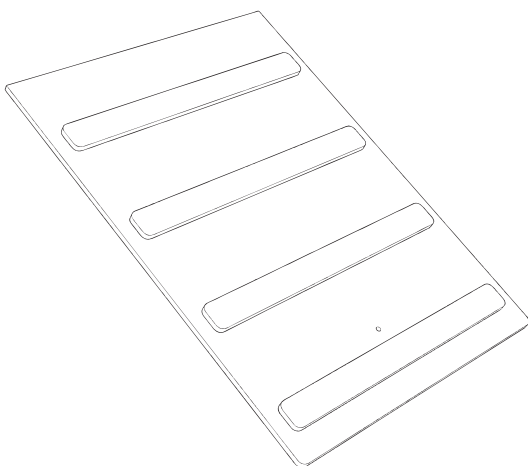


x2 (FLAT SIDES)

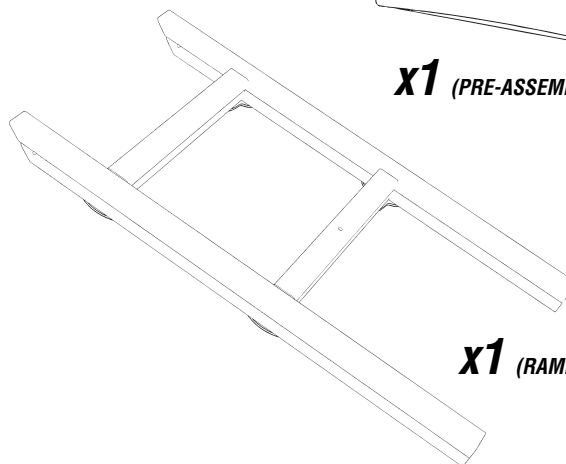
x2 (GROOVED SIDES)



x1 (PRE-ASSEMBLED PANEL)



x1 (HEXBOARD RAMP)

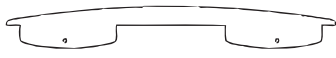


x1 (RAMP Assembly)

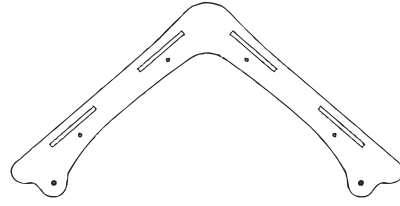
x1 (RAMP ROPE)

PARTS required (STANDARD ROOF)

 **x8** (ROOF CLIPS)



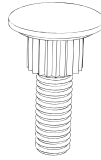
x1 (TOP ROOF CLIP)



x2 (SIDE ROOF)



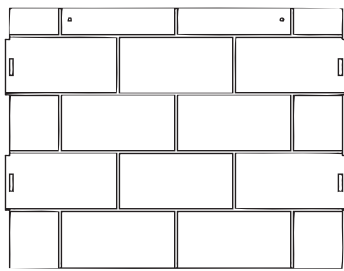
x10 (N1 - TORQTAINER)



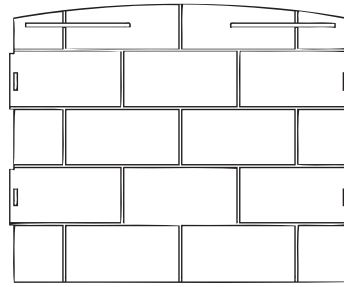
x10 (3B- TORQTAINER)



x4 (FM80 'Brass screws')

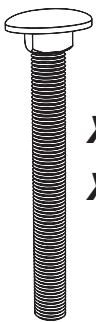


x1 (FRONT ROOF)



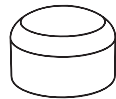
x1 (BACK ROOF)

PARTS required

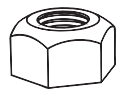


x4 (M12 x 150 Square Cup HEX bolt)

x12 (M12 x 200 Square Cup HEX bolt)



x30 (end caps)

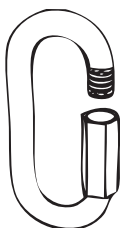


x30 (M12 'NYLOC')



x3 (FM40 'Brass screws')

x48 (FM80 'Brass screws')



x4 (Quicklink)



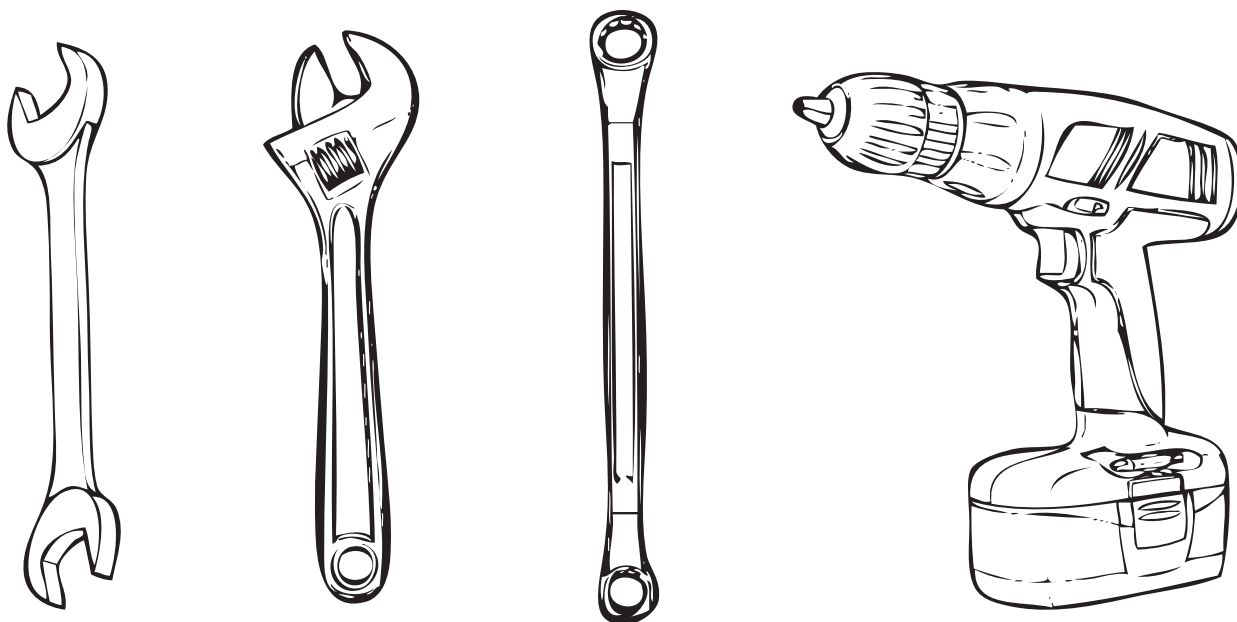
x4 (M12 x 130 Eyebolt)

TIMBERS required

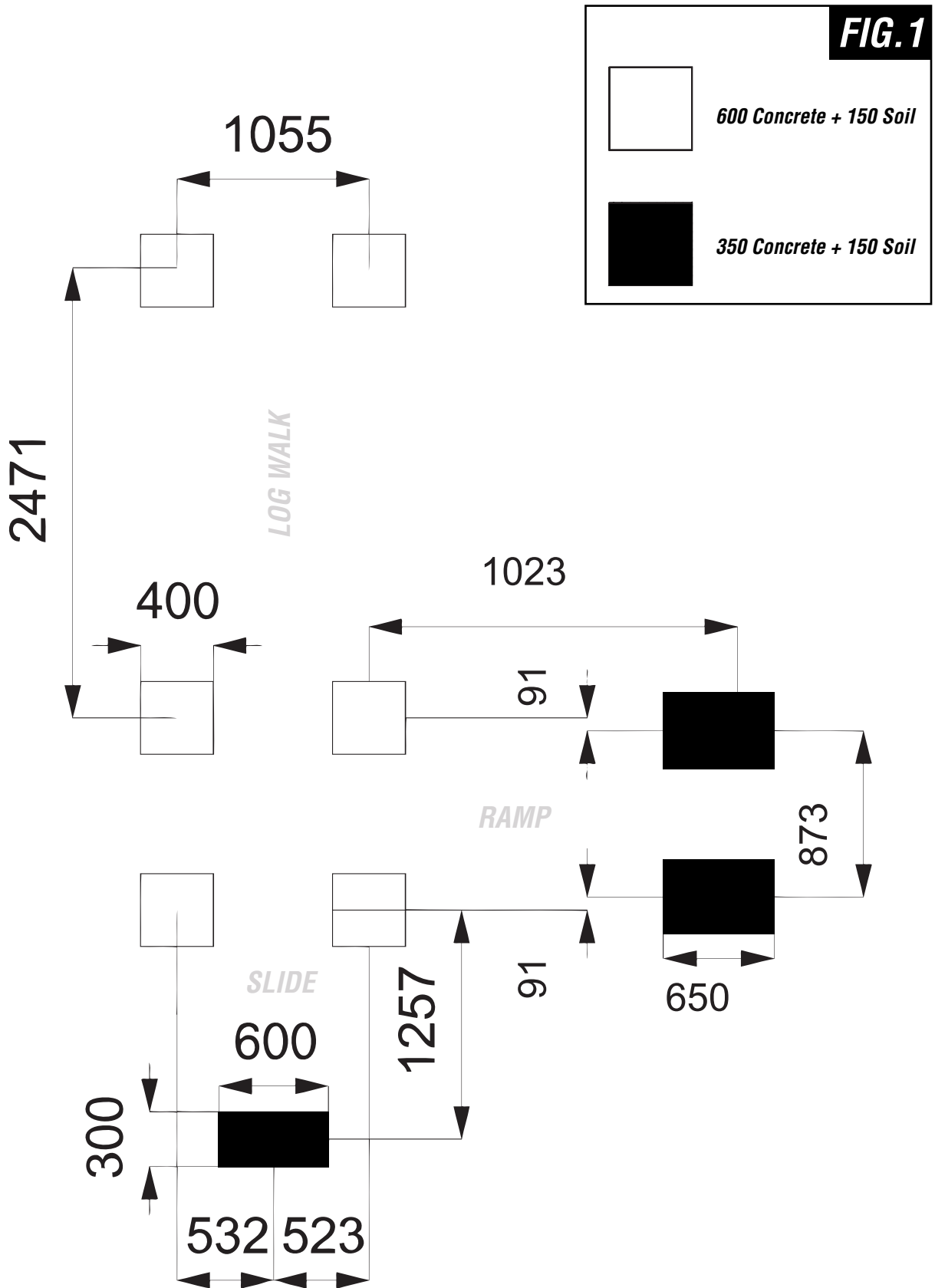
CODE	TYPE	SIZE	QTY
AC101a	90x90	3000	2
AC105a	90x90	3000	2
AC101c	90x90	3000	2
AC101f	90x90	3000	1
AC101g	90x90	3000	1
AC101h	90x90	3000	1
AC101i	90x90	3000	1
AC101j	90x90	965	1

CODE	TYPE	SIZE	QTY
AC101k	90x90	1145	3
AC101l	90x90	1145	1
AC101t	120x90	3600	1
AC101v	120x90	3600	1

TOOLS required

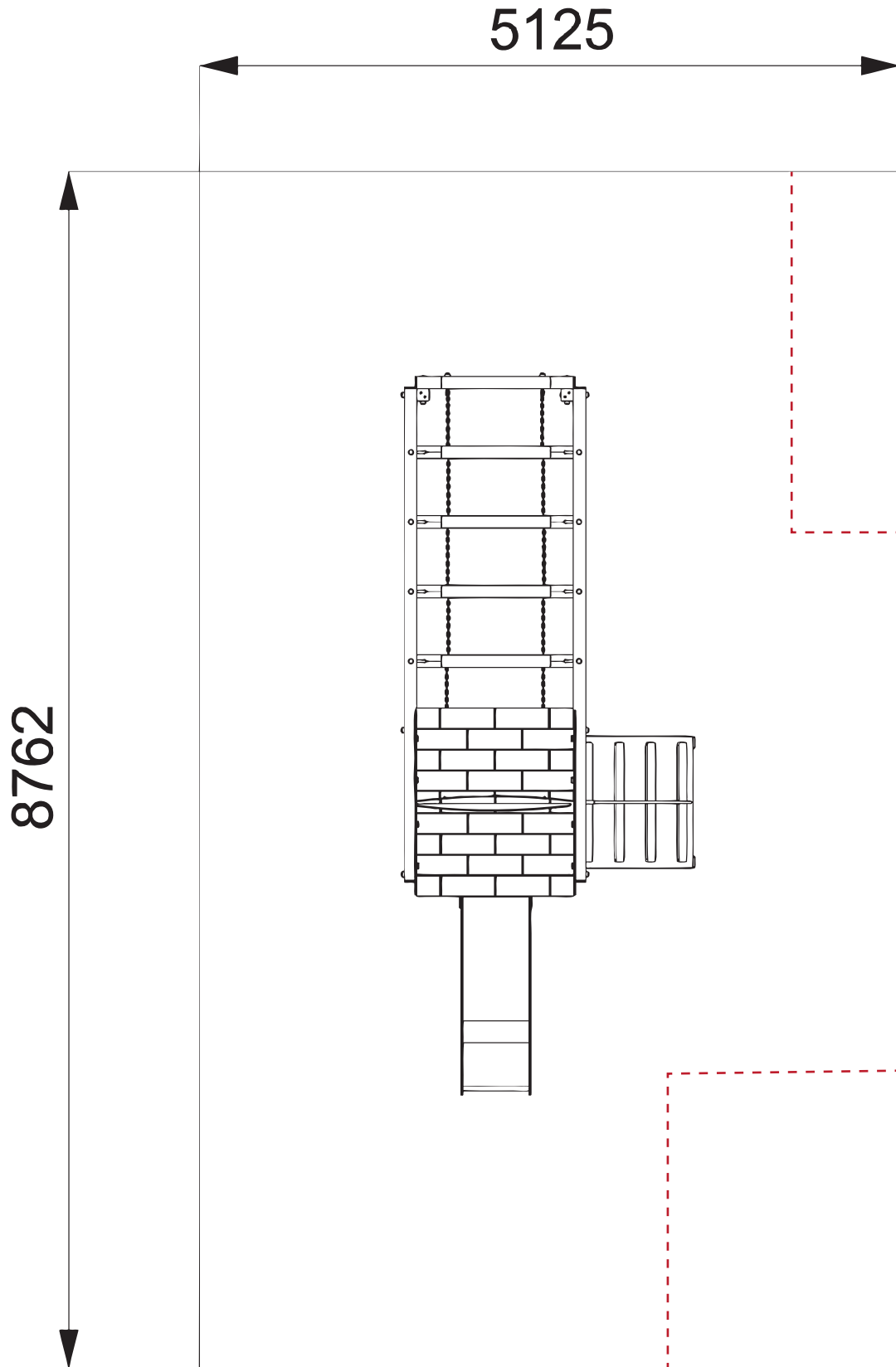


Foundation Details



Surfacing Details

----- = MINIMUM SPACE
———— = SURFACE AREA

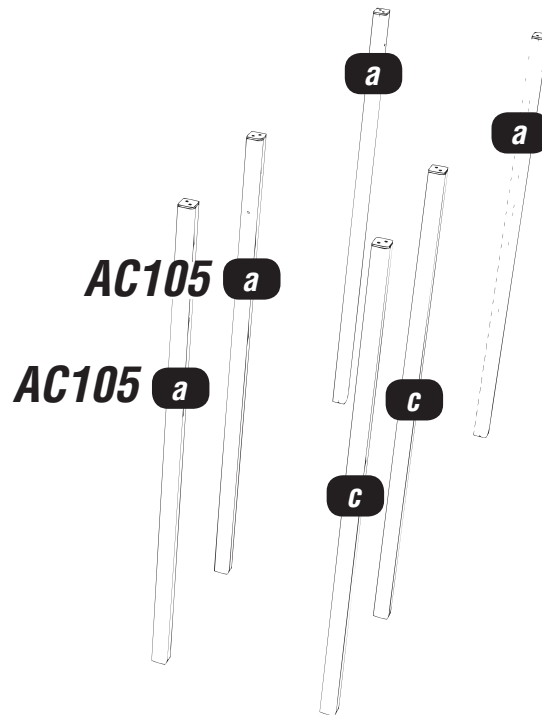


Installation Instructions

1

Install the timbers AC101a/c AC105a

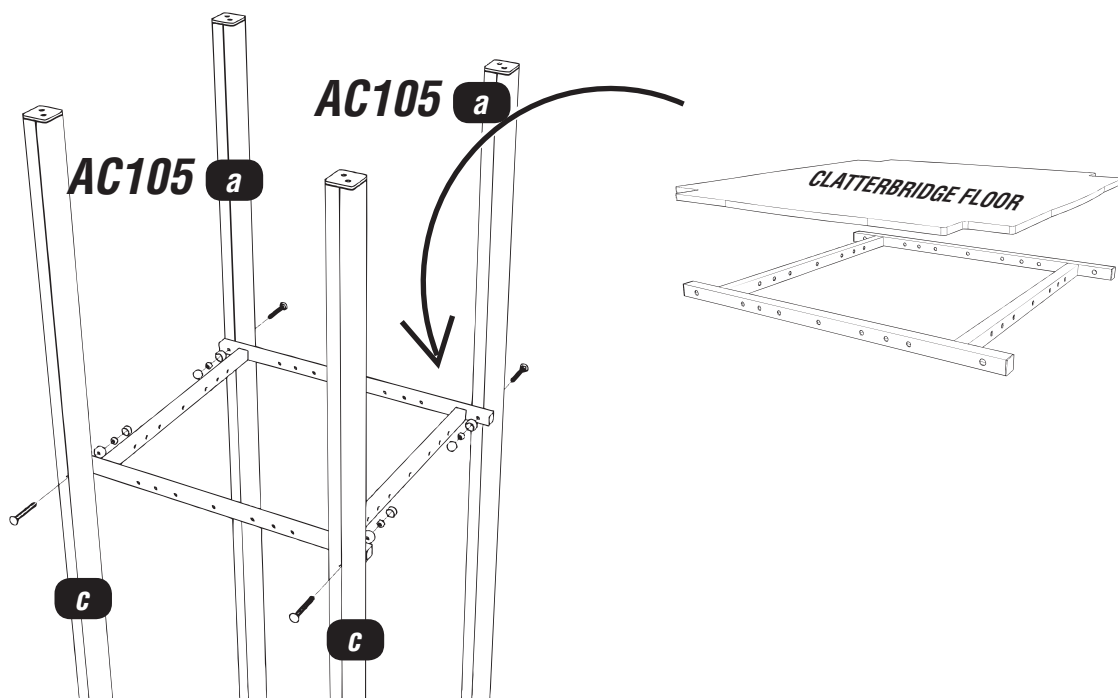
Follow fundation details



2

Attach the floor to the timbers AC101c AC105a and place the Hexboard on top

Using 4x @150mm M12 SQUARE CUP HEX BOLTS / 4x NYLOGS / 4x RED CAPS

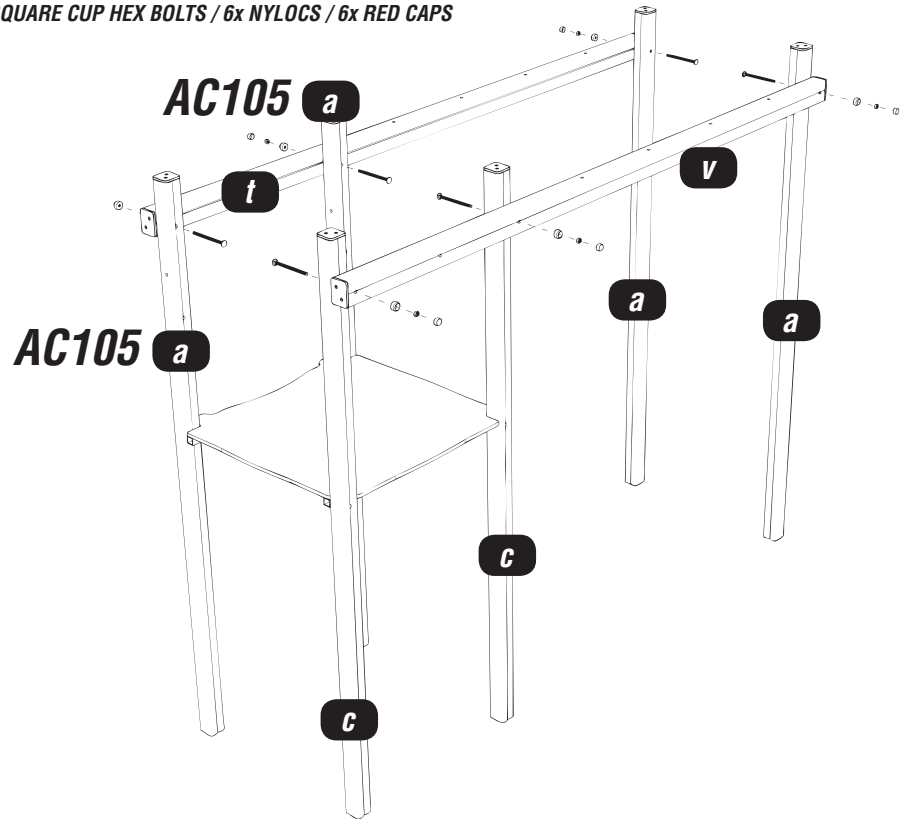


Installation Instructions

3

**Attach the TIMBERS AC101t/v to the TIMBERS AC101a/c
AC105a**

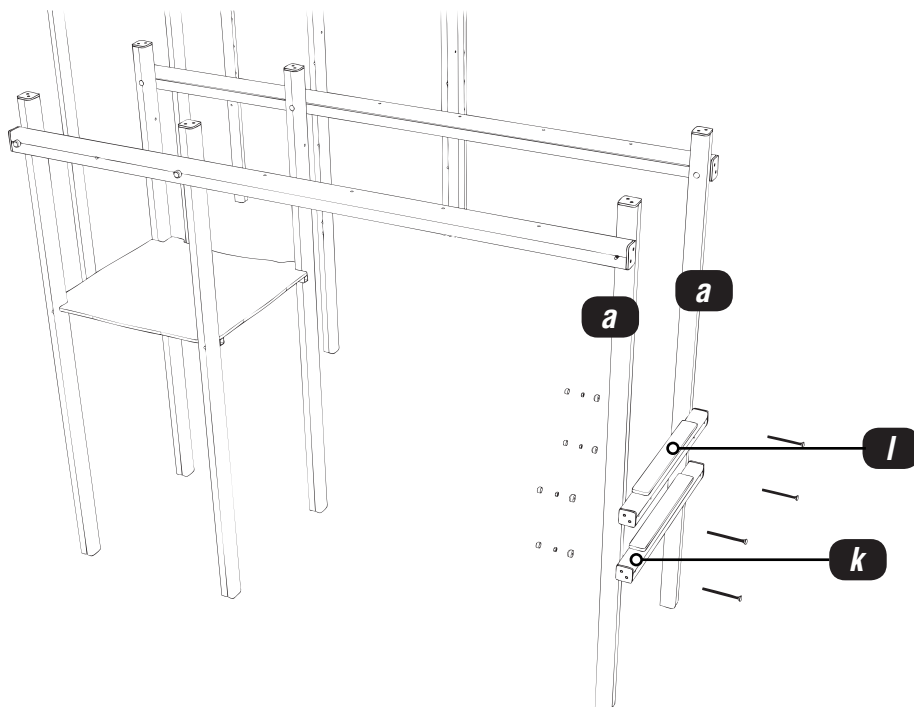
Using 6x @200mm M12 SQUARE CUP HEX BOLTS / 6x NYLOCS / 6x RED CAPS



4

Attach the timbers AC101l/q to the TIMBERS AC101a

Using 4x @200mm M12 SQUARE CUP HEX BOLTS / 4x NYLOCS / 4x RED CAPS

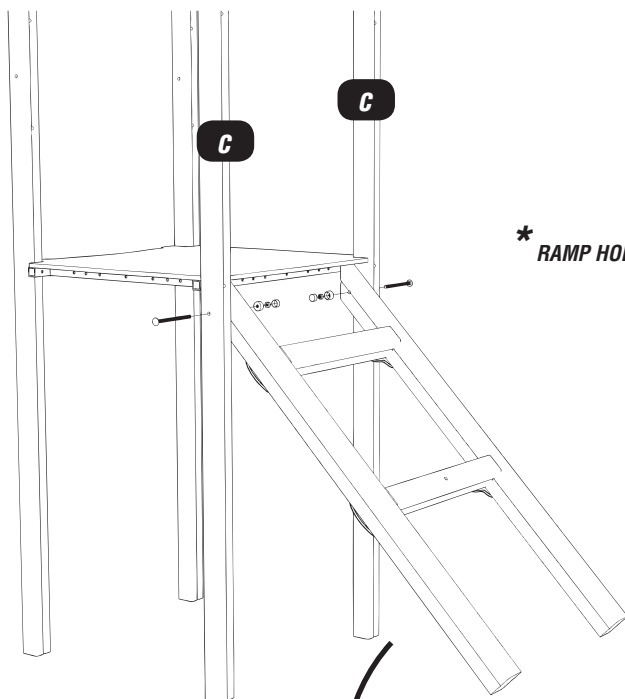


Installation Instructions

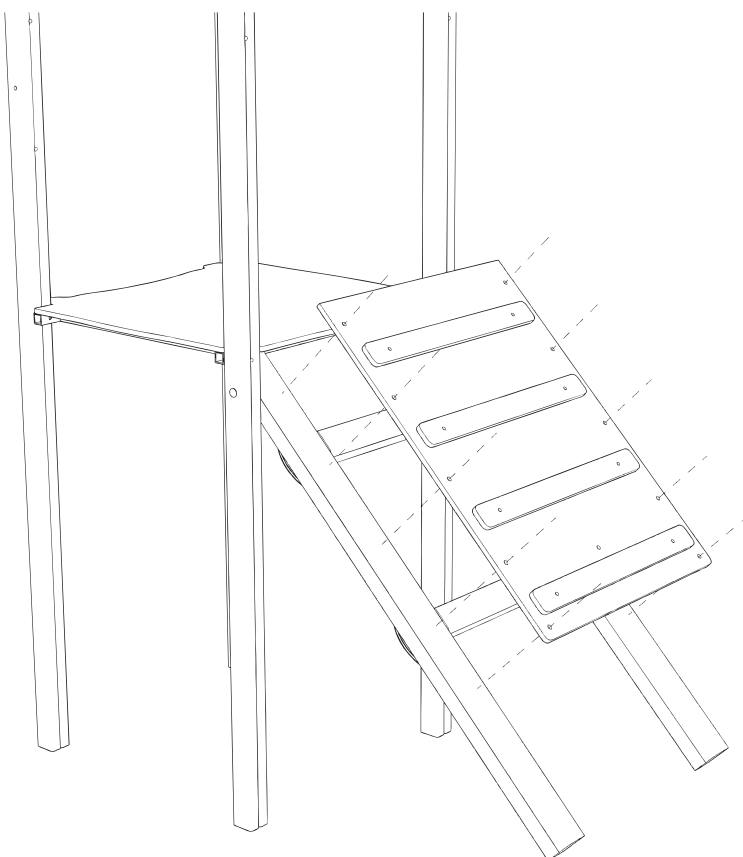
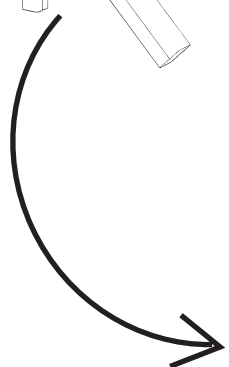
5

Attach the RAMP to the AC101c

Using 2x @200mm M12 SQUARE CUP HEX BOLTS / 2x NYLOCS / 2x RED CAPS / 10x FM80 Brass Screws



* RAMP HOLE - 148mm from the top of the floor
- 850mm from the ground
- 1412mm from the top

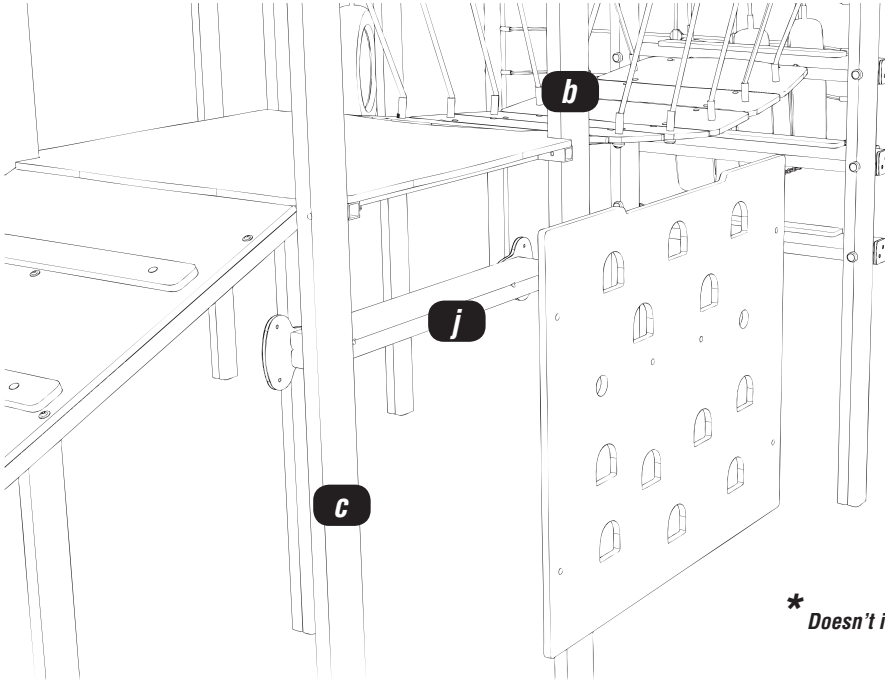


Installation Instructions

6

Attach the **TIMBERS AC101j** and 1m **CLIMBING HEXBOARD** to **AC101c** and **AC105a**

Using 14x FM80 'Brass Screws'

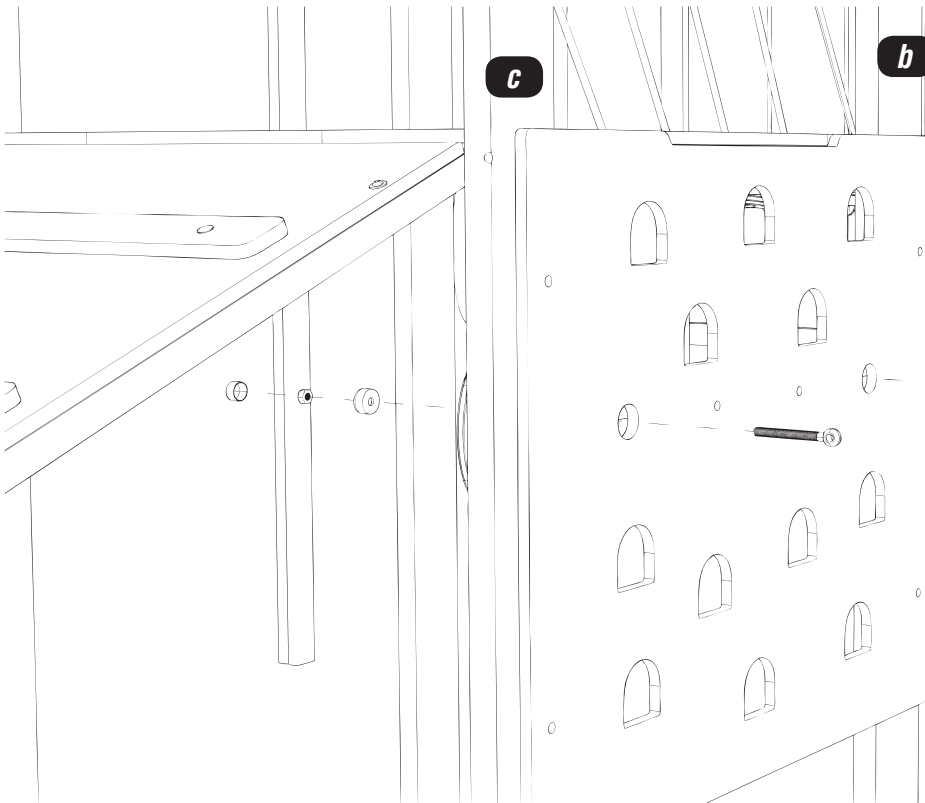


* Doesn't include clutterbridge picture taken from DART

7

Attach the **EYEBOLTS** to **AC101j** and **HEXBOARD**

Using 2x @130mm M12 EYEBOLT / 2x NYLOCS / 2x RED CAPS



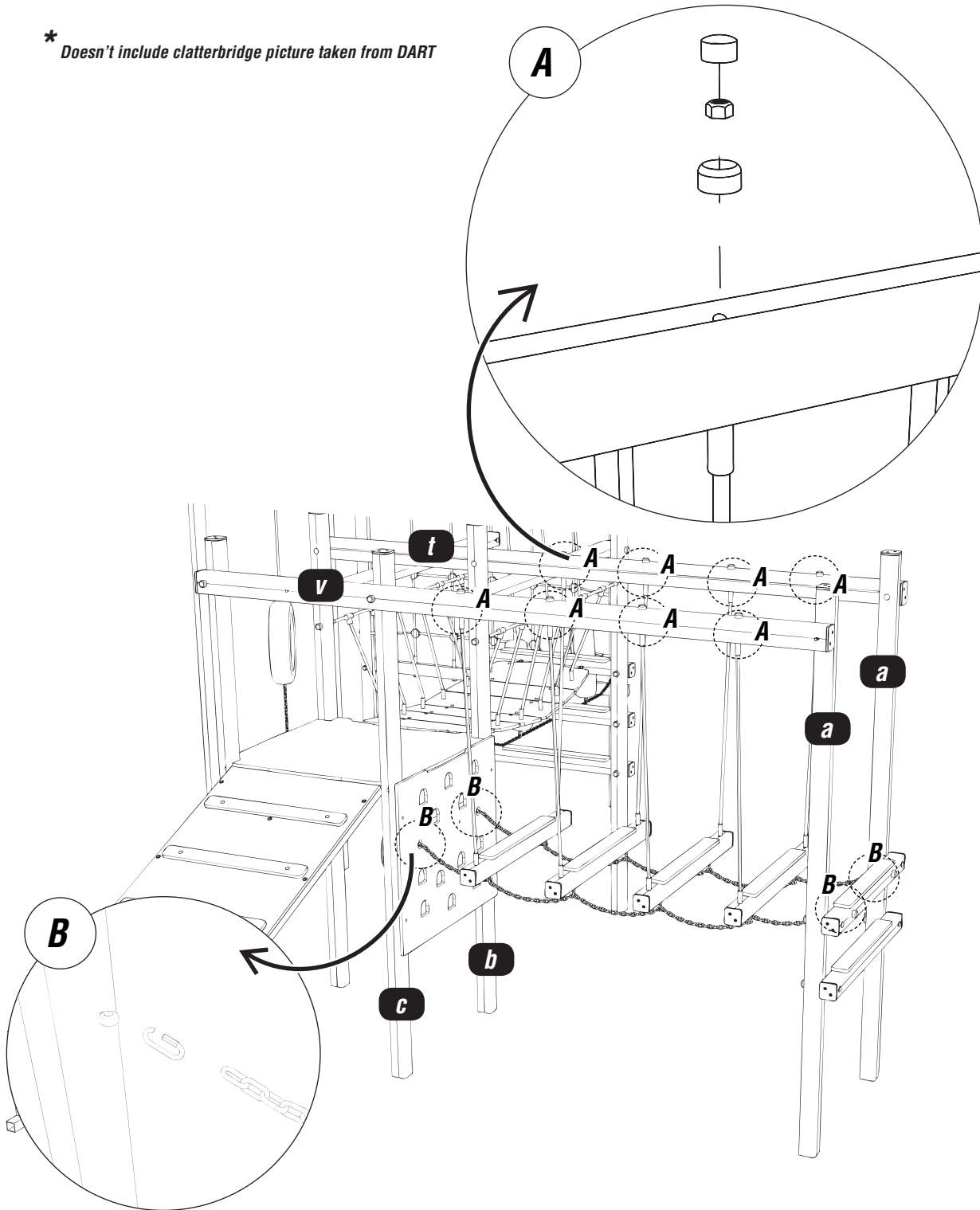
Installation Instructions

8

Attach the LOG WALK to the EYEBOLTS and AC101t/v

Using 4x QUICKLINK / 8x NYLOCS / 8x RED CAPS

* Doesn't include clutterbridge picture taken from DART

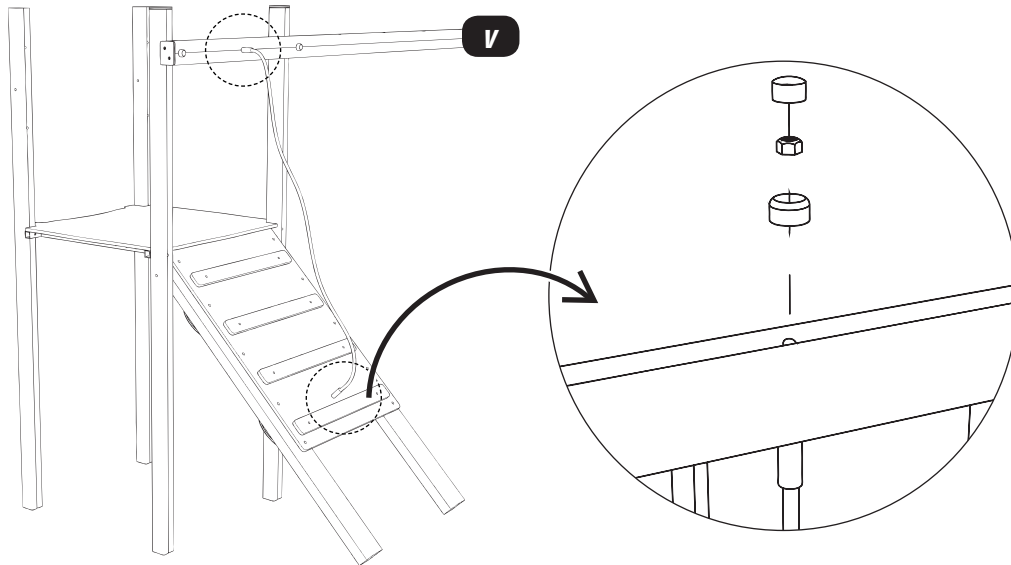


Installation Instructions

9

Attach the RAMP ROPE to the ramp and AC101v

Using 2x NYLOCS / 2x RED CAPS



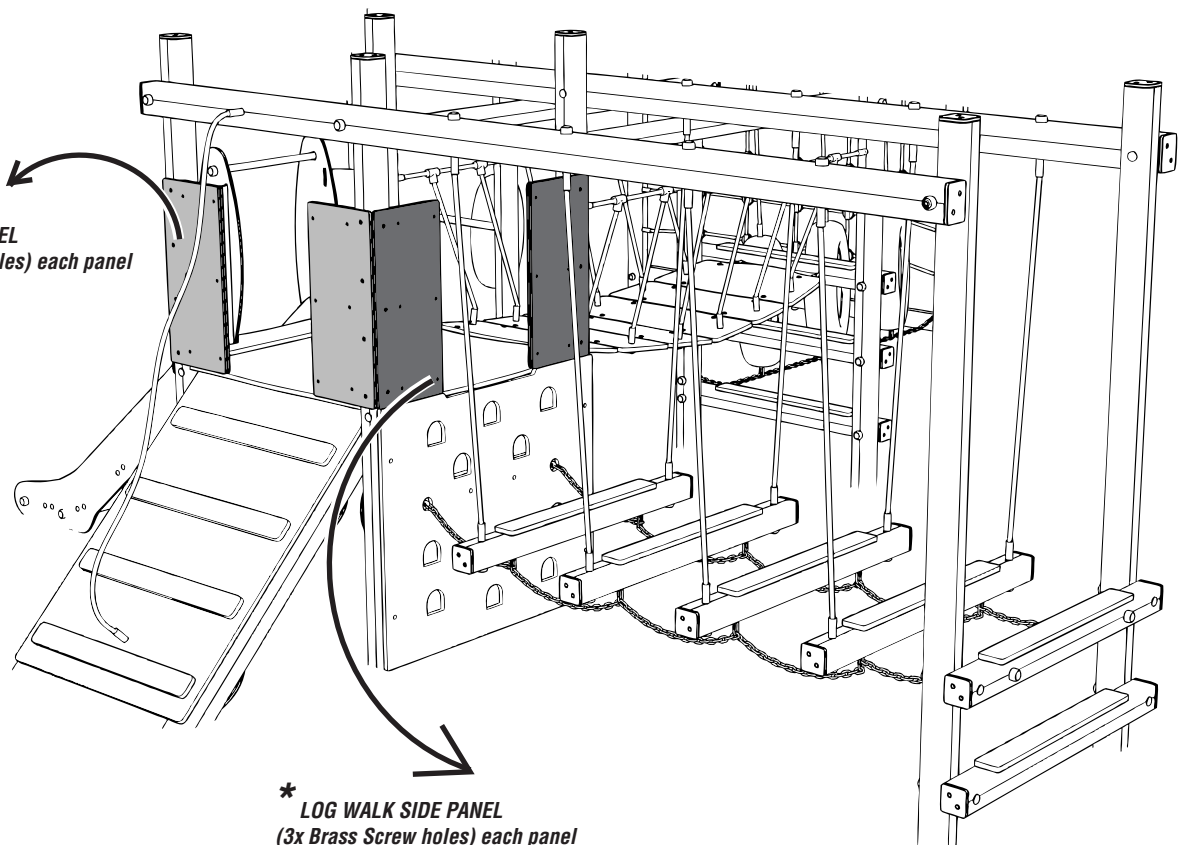
10

Attach the RAMP and LOG WALK SIDE PANELS

Using 14x 'FM80 Brass Screws'

* Doesn't include clutterbridge picture taken from DART

* RAMP SIDE PANEL
(4x Brass Screw holes) each panel



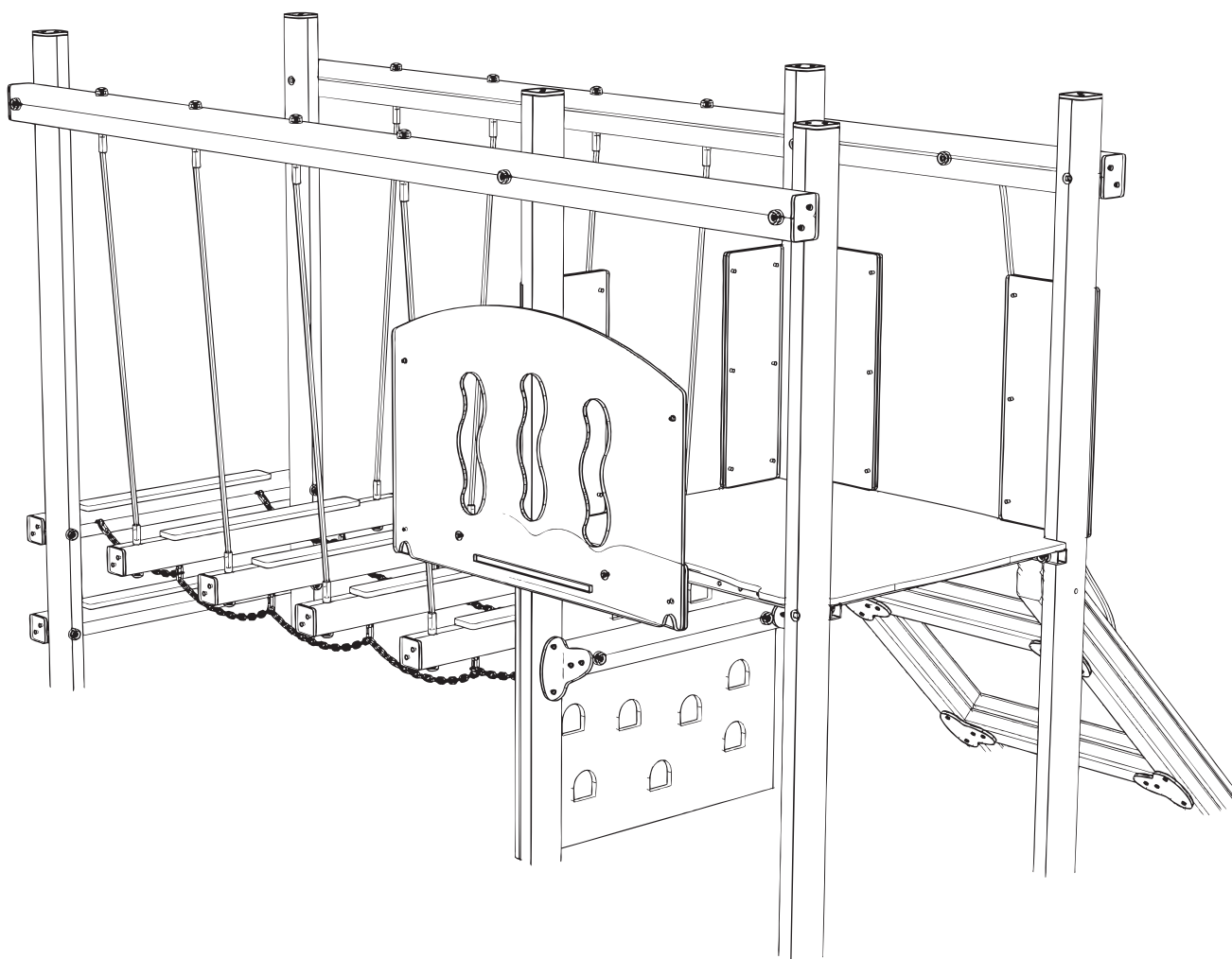
* LOG WALK SIDE PANEL
(3x Brass Screw holes) each panel

Installation Instructions

11

Attach the BACK PANEL AC101v

Using 2x NYLOCS / 2x RED CAPS

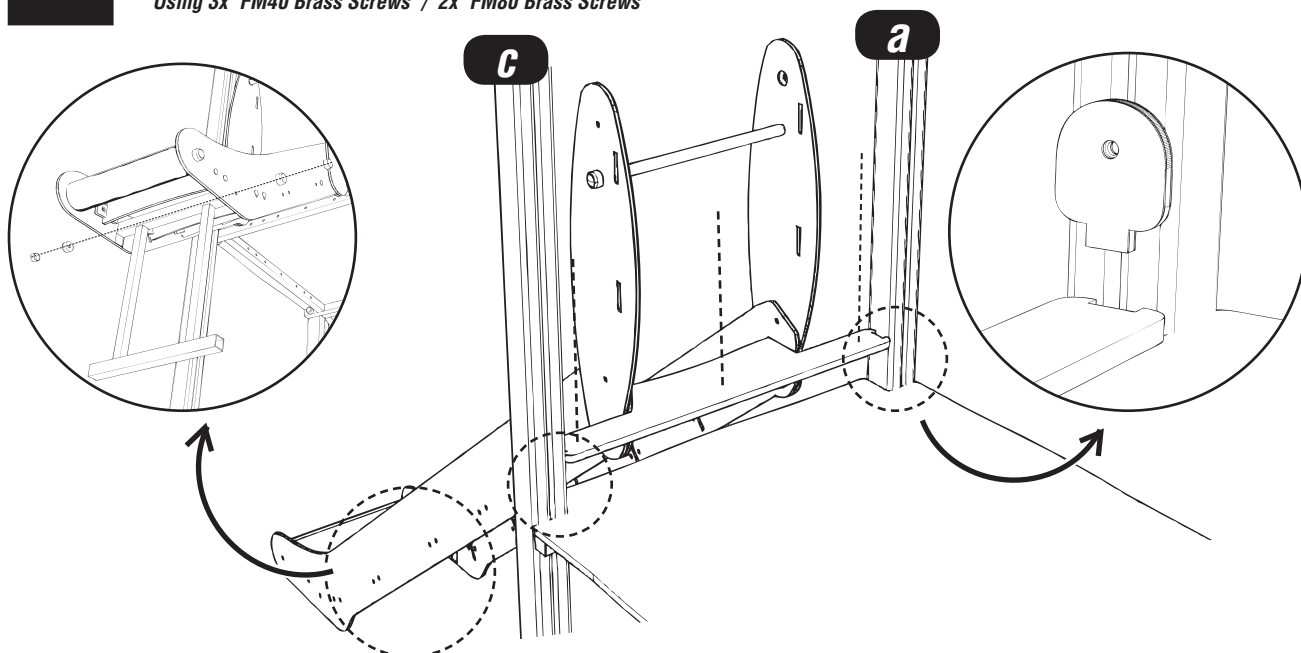


Installation Instructions

12

Attach the SLIDE to the HEXBOARD FLOOR

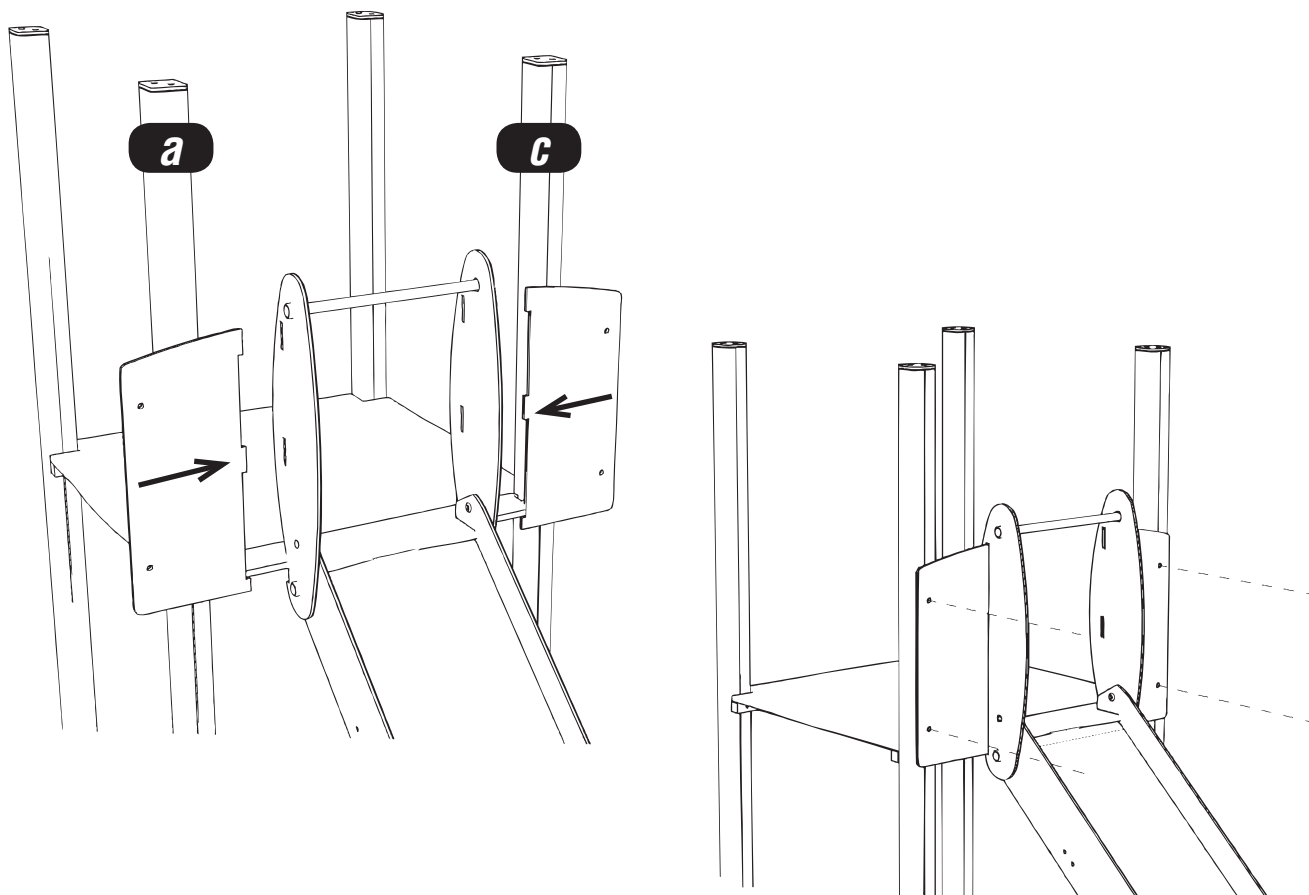
Using 3x 'FM40 Brass Screws' / 2x 'FM80 Brass Screws'



13

Insert the SLIDE SIDES to the SLIDE and to the timbers AC101b/c

4x 'FM80 Brass Screws'

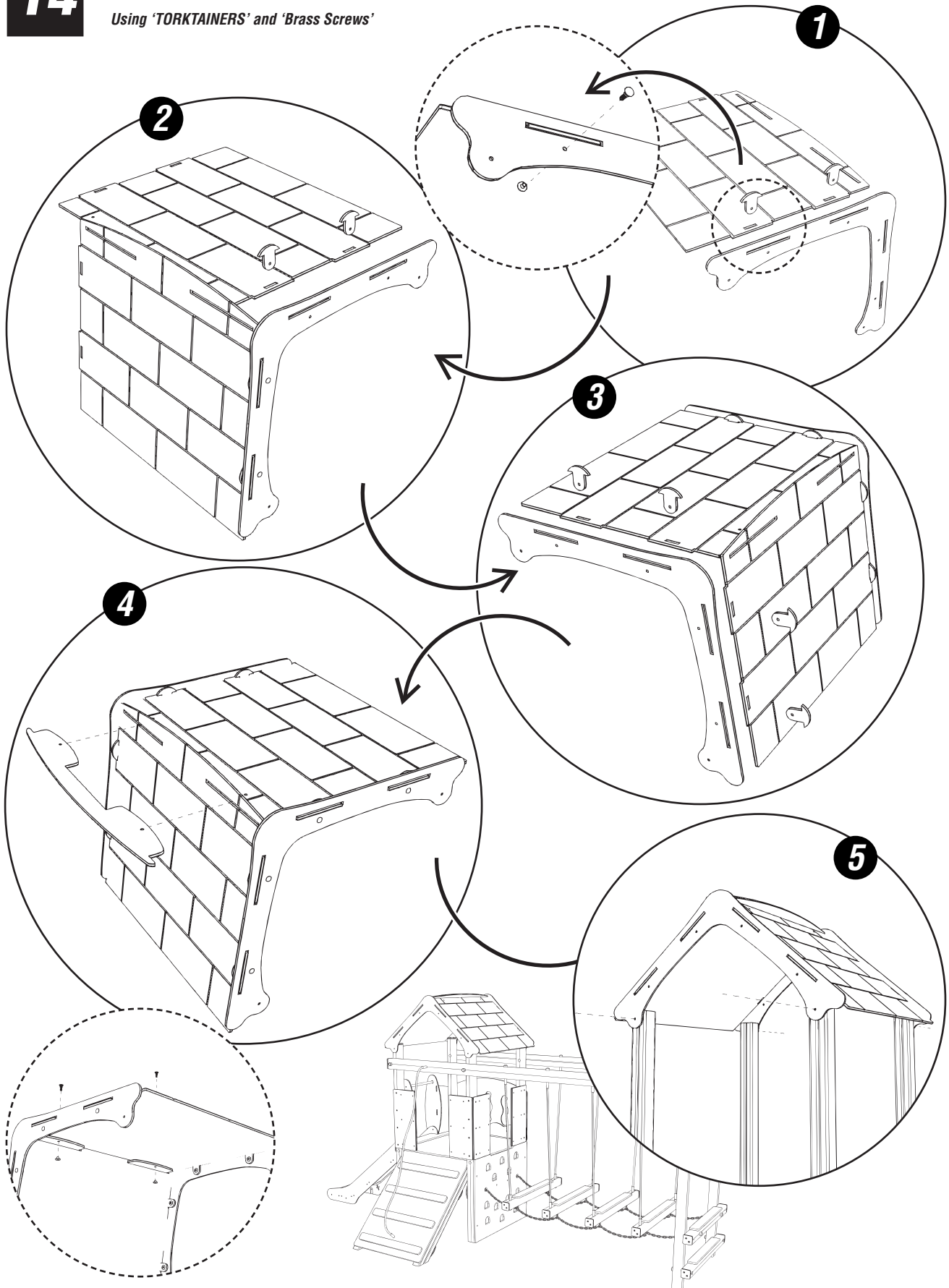


Installation Instructions

14

Attach the roof Parts (NORMAL ROOF)

Using 'TORKTAINERS' and 'Brass Screws'



Additional Dimensions

