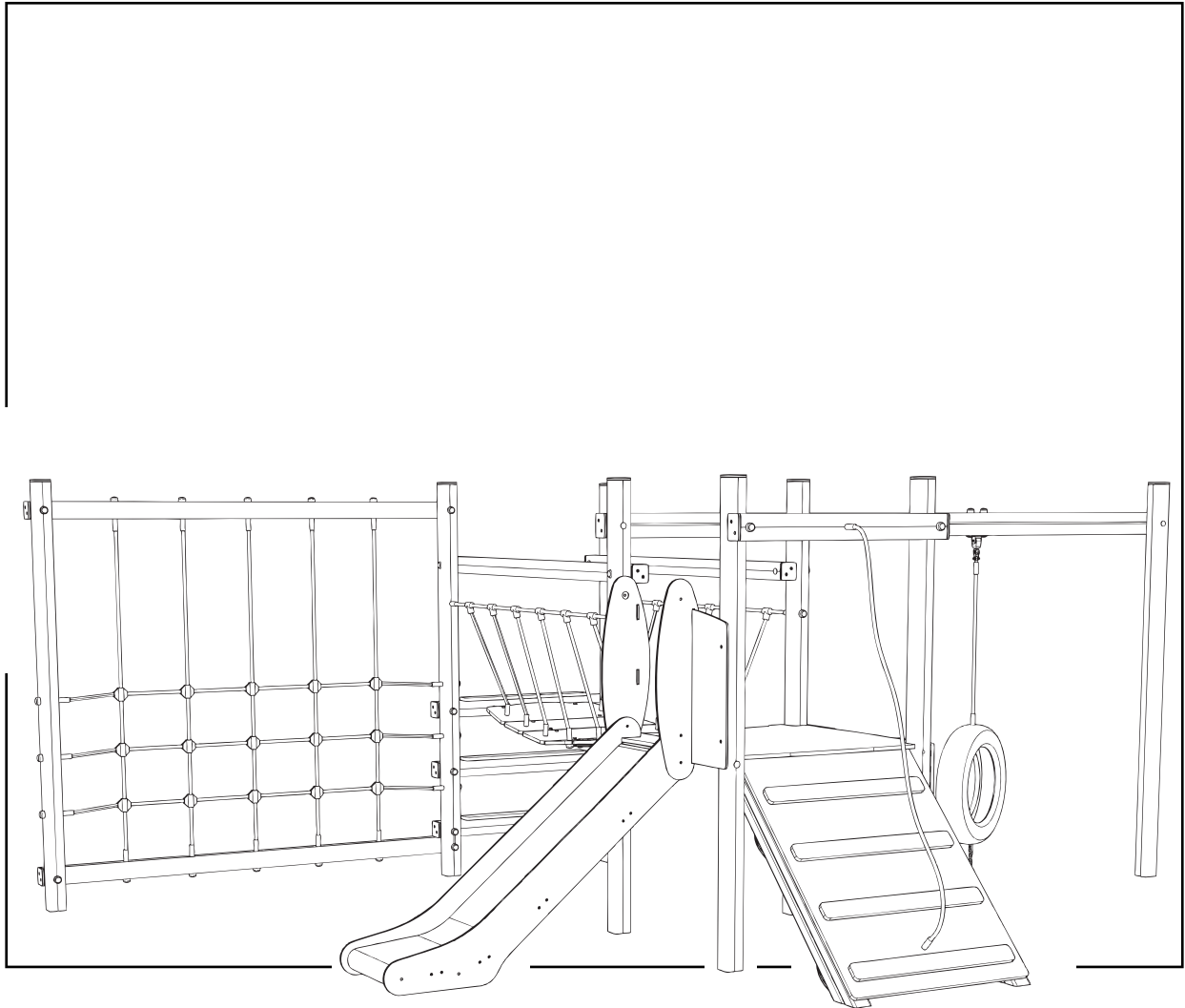


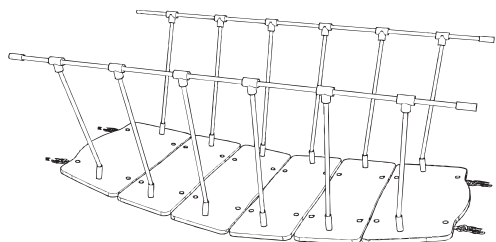
CLYDE ACTIVITY CENTRE

Installation Instructions

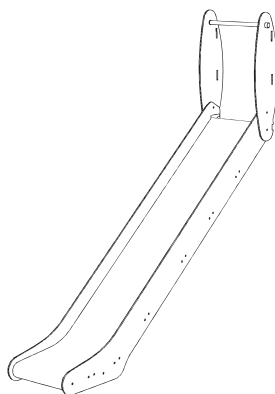
**creative
play**



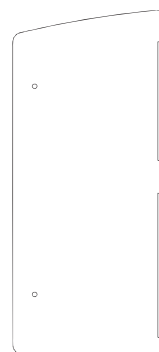
PARTS required



x1 (CLATTERBRIDGE)

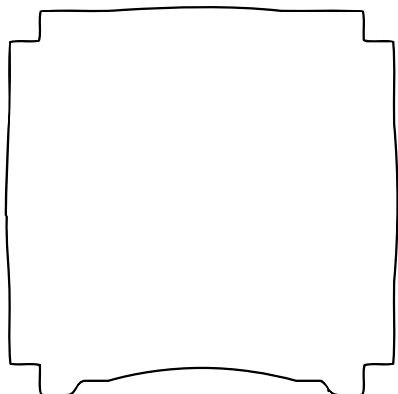


x1 (1m SLIDE)

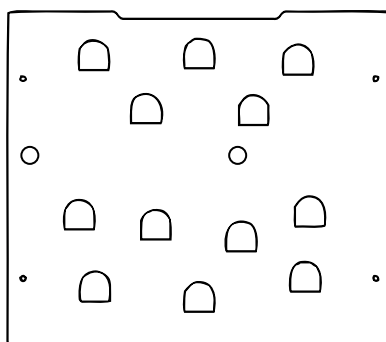


x1 LEFT (SLIDE SIDE)

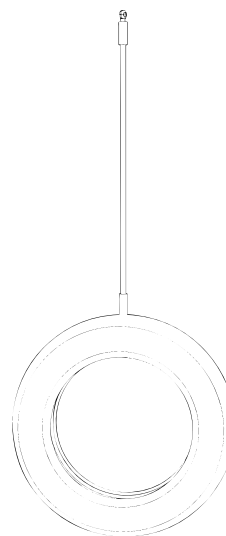
x1 RIGHT (SLIDE SIDE)



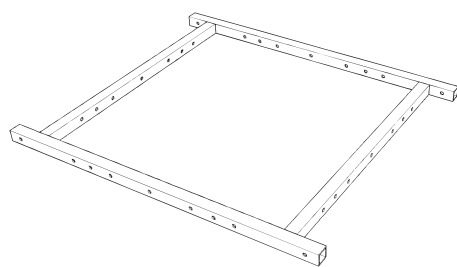
x1 (CLATTERBRIDGE 90 x 90 FLOOR)



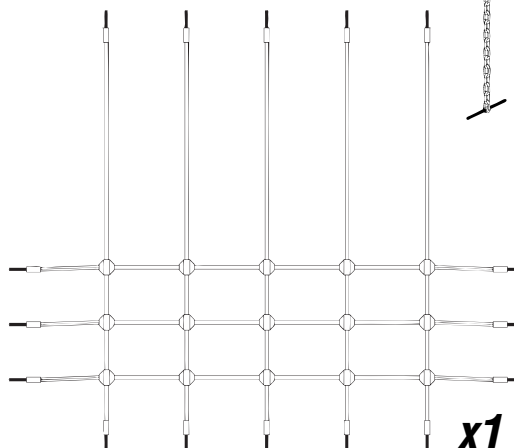
x1 (1m CLIMBING WALL)



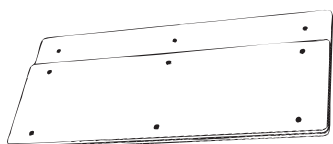
x1 (TYRE + ROPE + CHAIN)



x1 (ZENITH STANDARD FLOOR 90x90)



x1 (ROPE CLIMB)

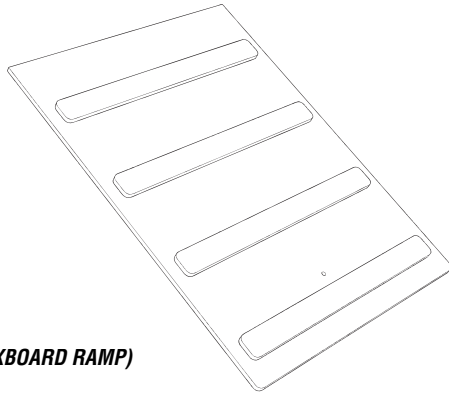


x2 (FLAT SIDES)

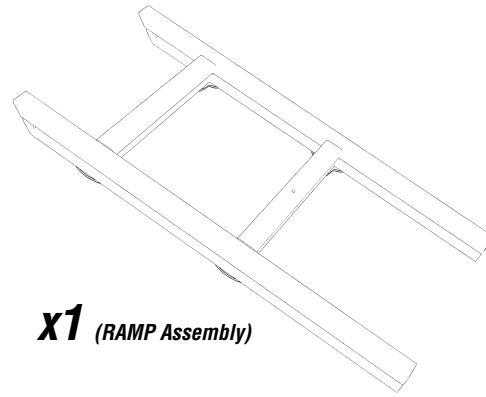
x2 (GROOVED SIDES)

x1 (RAMP ROPE)

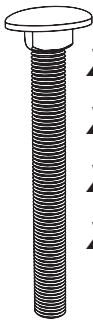
PARTS required



x1 (HEXBOARD RAMP)



x1 (RAMP Assembly)

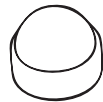


x2 (M12 x 70 Square Cup HEX bolt)

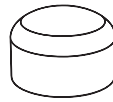
x2 (M12 x 100 Square Cup HEX bolt)

x4 (M12 x 150 Square Cup HEX bolt)

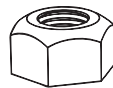
x21 (M12 x 200 Square Cup HEX bolt)



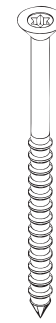
x2 (M8 Plastic Cover)



x60 (end caps)

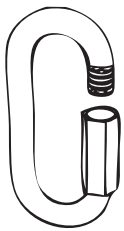


x60 (M12 'NYLOC')



x3 (FM40 'Brass screws')

x38 (FM80 'Brass screws')

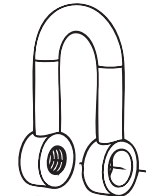


x4 (Quicklink)



x2 (M12 x 80 Eyebot)

x2 (M12 x 130 Eyebot)



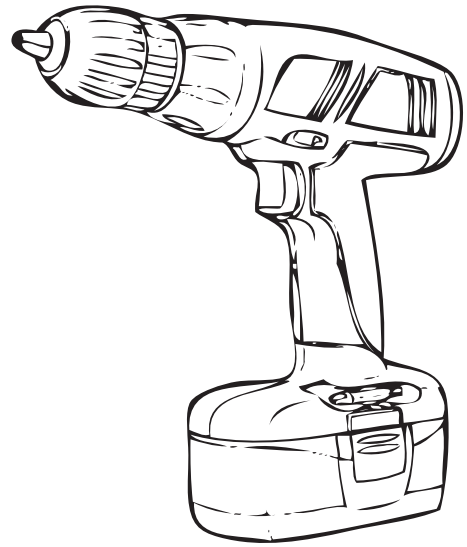
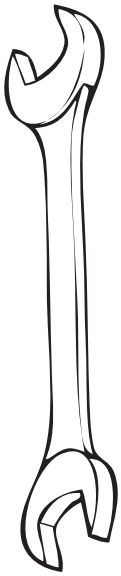
x1 (D-Shackle)

TIMBERS required

CODE	TYPE	SIZE	QTY
AC101b	90x90	3000	2
AC101c	90x90	3000	2
AC101k	90x90	1145	2
AC101m	90x90	1145	1
AC101o	90x90	2100	2
AC101p	90x90	2400	2

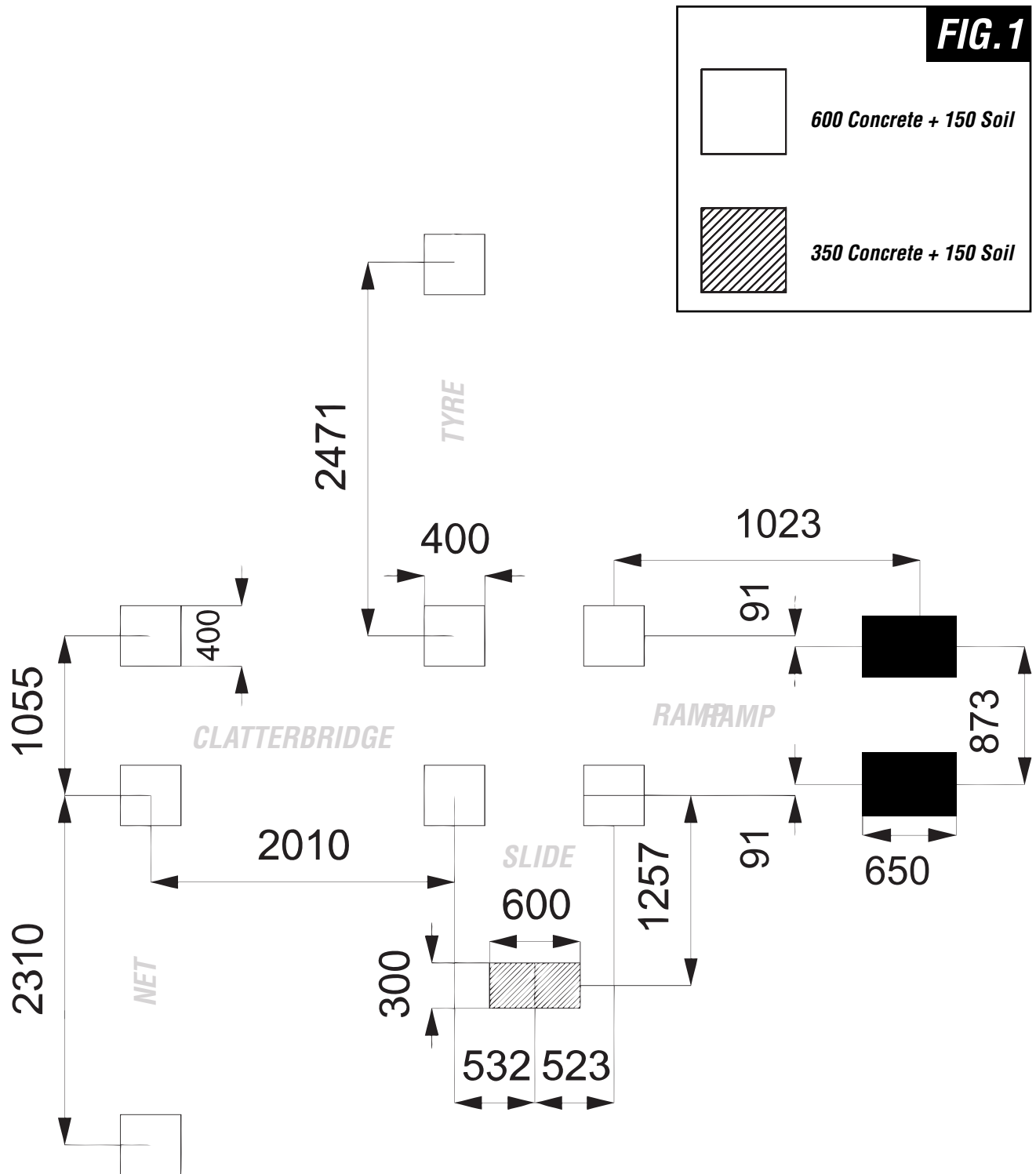
CODE	TYPE	SIZE	QTY
AC103a	90x90	3000	1
AC103b	90x90	3000	1
AC103c	90x90	3000	1
AC103d	90x90	3000	1
AC103e	120x90	3600	1
AC103f	120x90	1145	1

TOOLS required



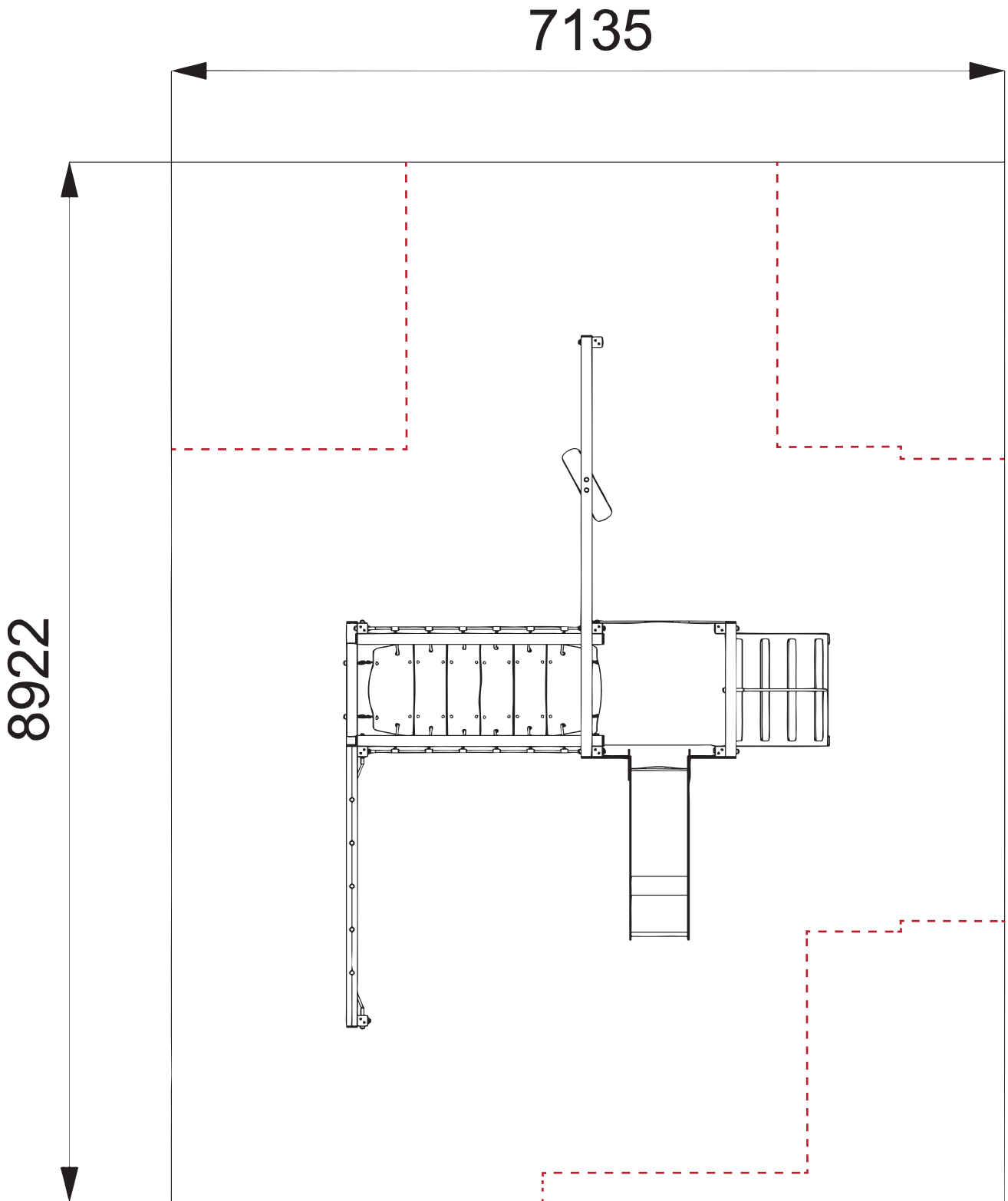
NOTES:

Foundation Details



Surfacing Details

- - - - = MINIMUM SPACE
- = SURFACE AREA

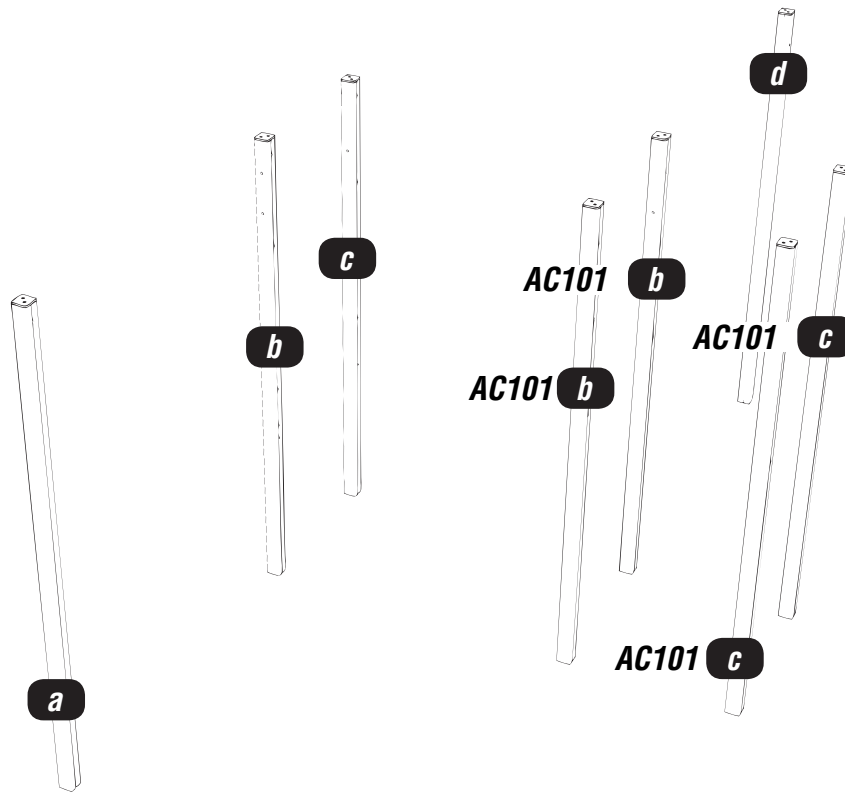


Installation Instructions

1

Install the timbers AC101b/c , AC103a/b/c/d

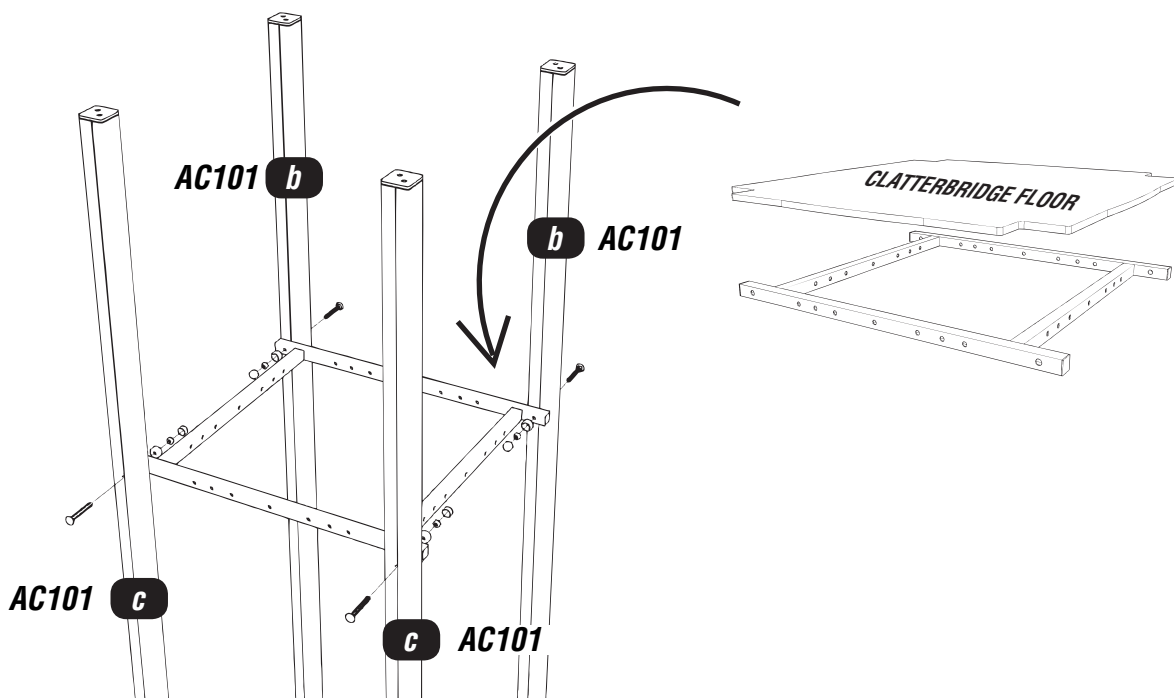
Follow fundation details



2

Attach the floor to the timbers AC101b/c and place the Hexboard on top

Using 4x @150mm M12 SQUARE CUP HEX BOLTS / 4x NYLOCS / 4x RED CAPS

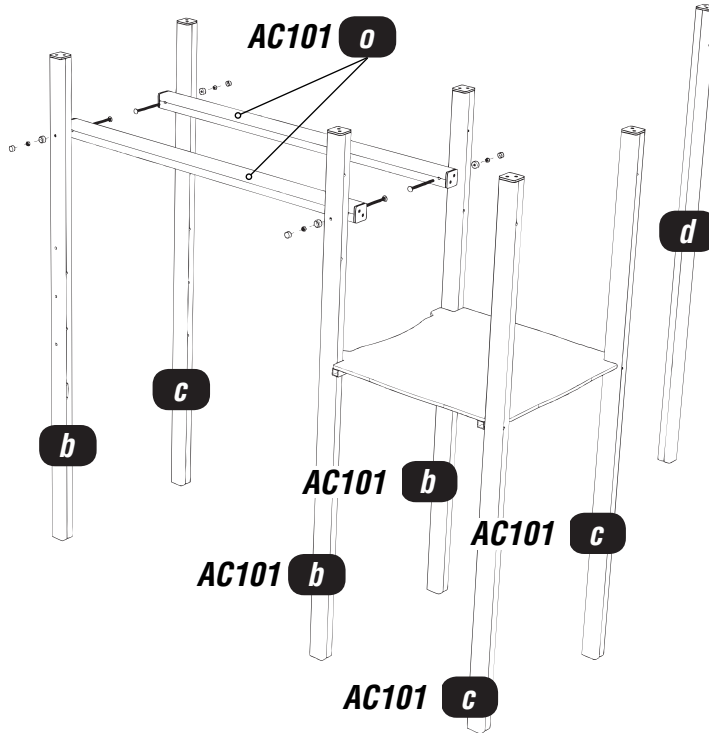


Installation Instructions

3

Attach the TIMBERS AC101o to the TIMBERS AC101b/c and AC103b/c

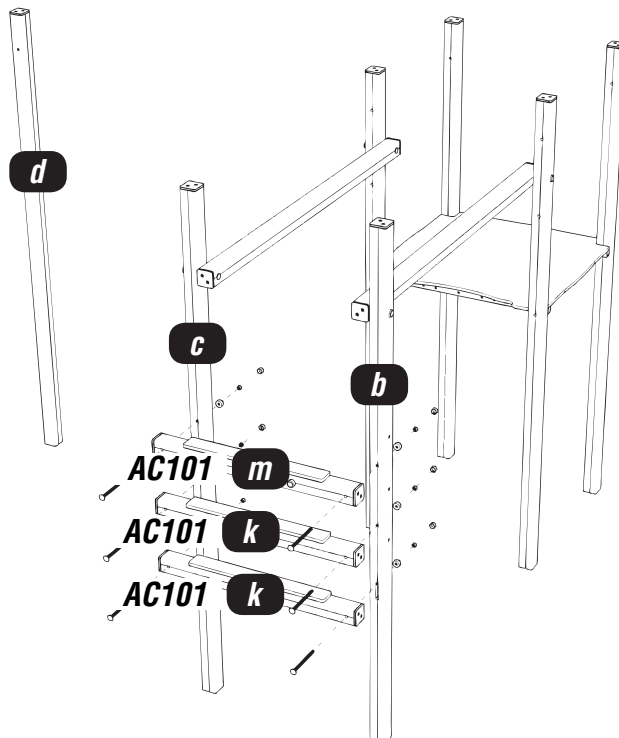
Using 4x @200mm M12 SQUARE CUP HEX BOLTS / 4x NYLOCS / 4x RED CAPS



4

Attach the timbers AC101m/k to the TIMBERS AC103b/c

Using 6x @200mm M12 SQUARE CUP HEX BOLTS / 6x NYLOCS / 6x RED CAPS

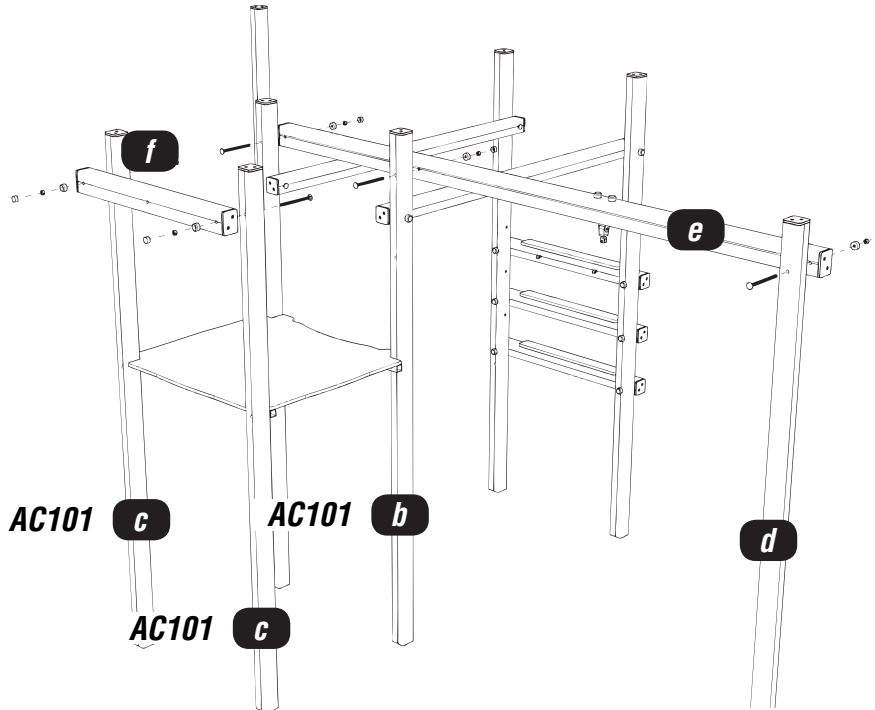


Installation Instructions

5

Attach the TIMBERS AC102e/f to the TIMBERS AC101b/c and AC103d

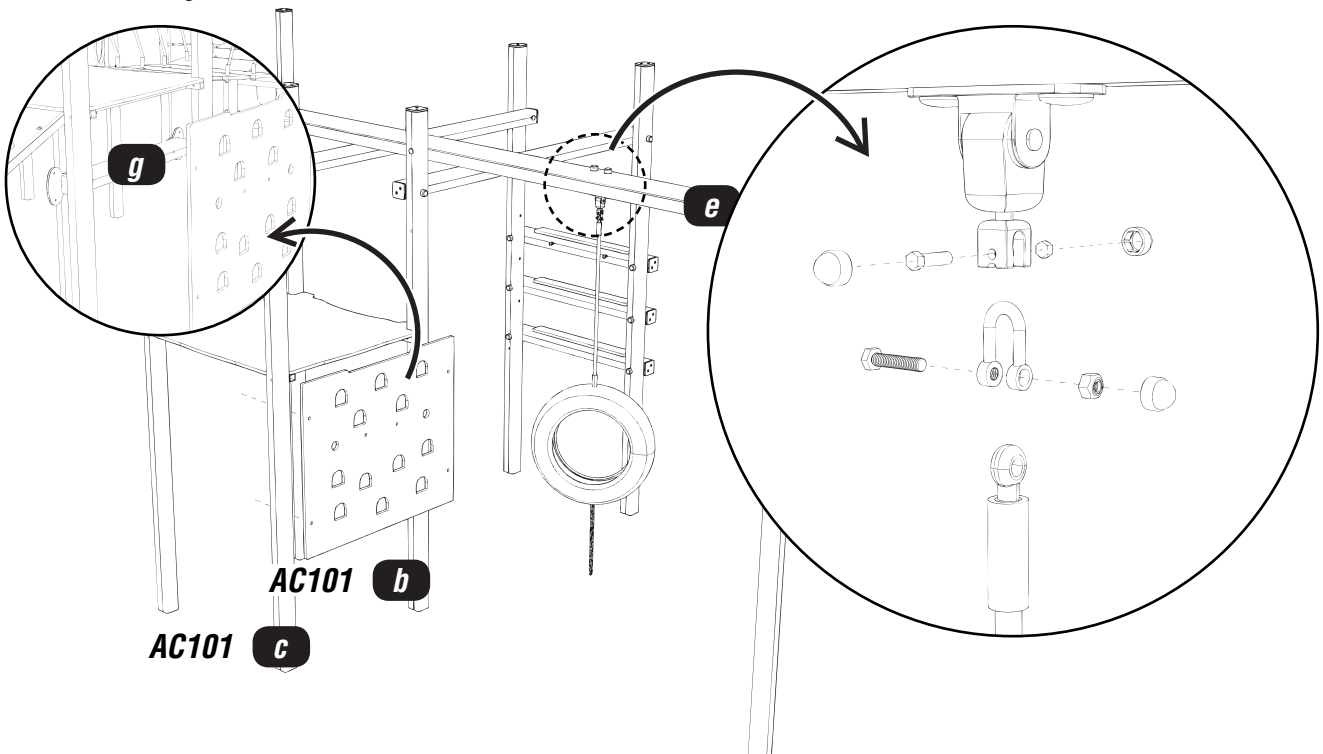
Using 5x @200mm M12 SQUARE CUP HEX BOLTS / 5x NYLOCS / 5x RED CAPS



6

Attach the HEXBOARD and AC103g to the TIMBERS AC101b/c and the TYRE to the TIMBER AC103e

Using 8x FM80 'Brass Screws' / 1x D-SHAKLE / 2x M8 Plastic covers

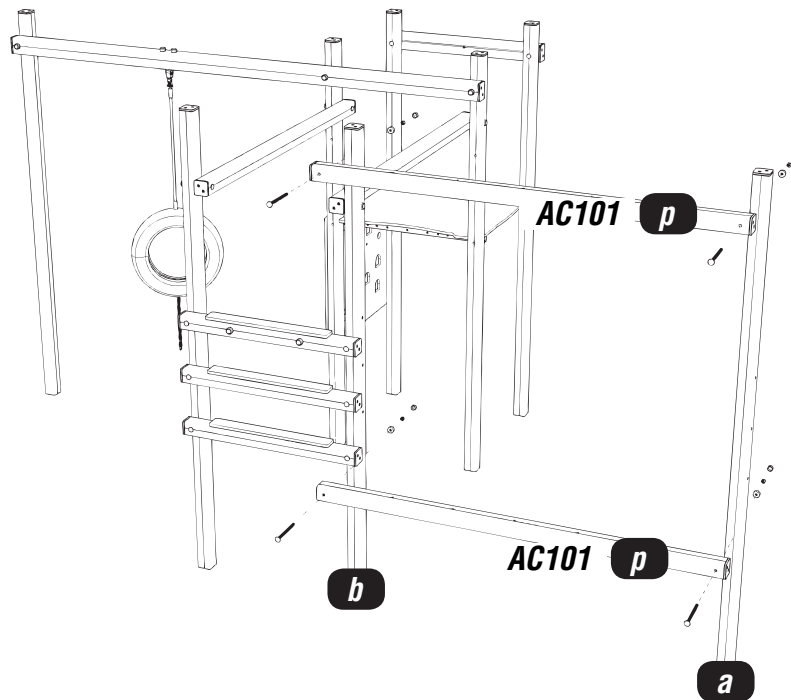


Installation Instructions

7

Attach the **TIMBERS AC101p** to the **TIMBERS AC103a/b**

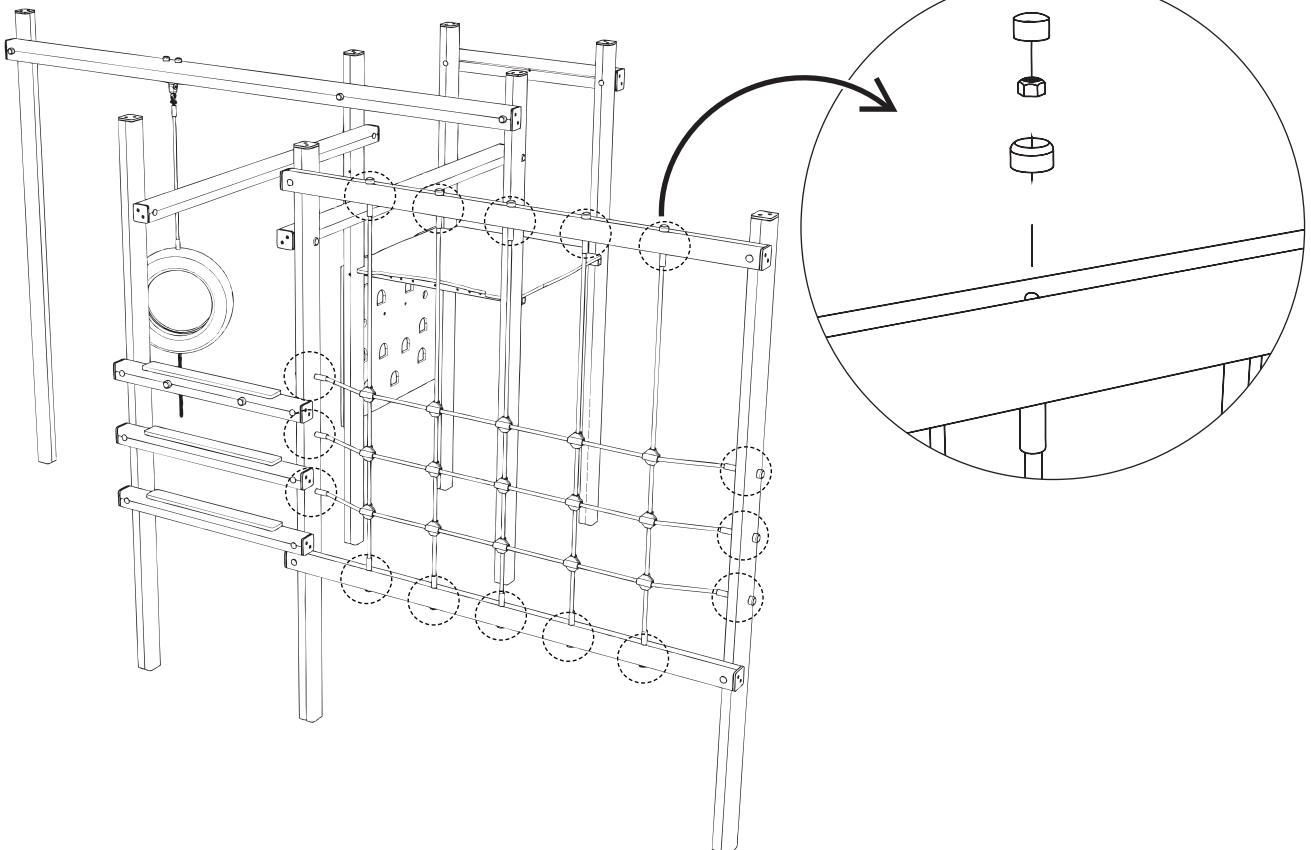
Using 4x @200mm M12 SQUARE CUP HEX BOLTS / 4x NYLOCS / 4x RED CAPS



8

Attach the **NET** to the **TIMBERS AC101p** and **AC103a/b**

Using 16x NYLOCS / 16x RED CAPS

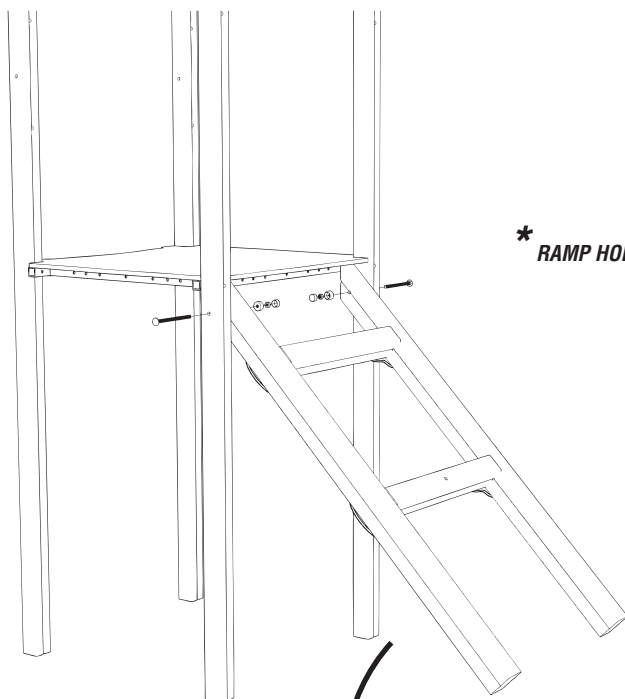


Installation Instructions

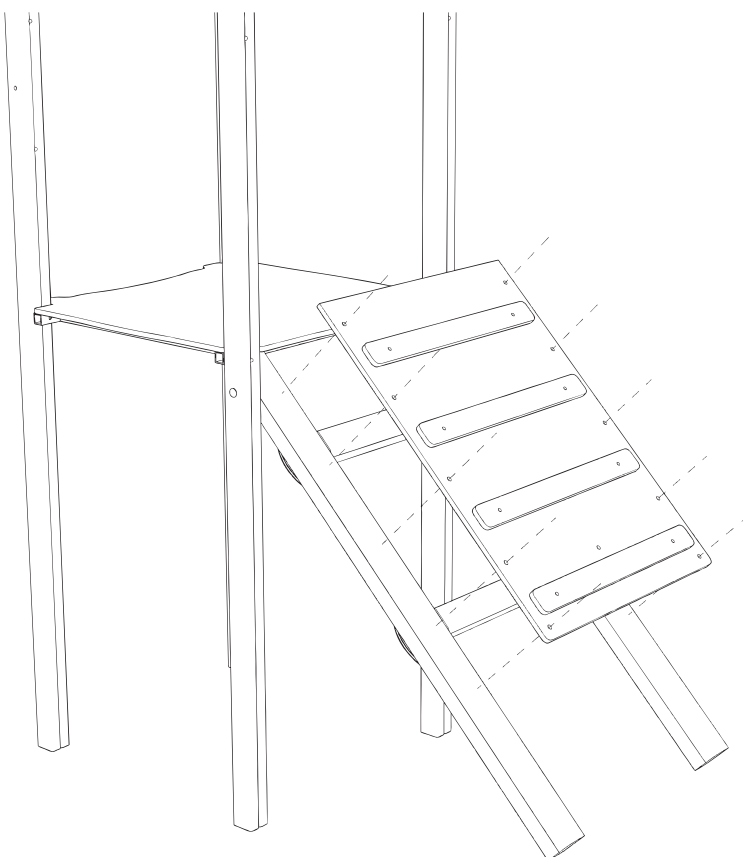
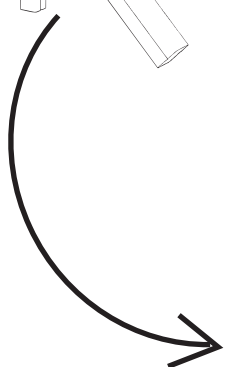
9

Attach the RAMP to the AC101c

Using 2x @200mm M12 SQUARE CUP HEX BOLTS / 2x NYLOCS / 2x RED CAPS / 10x FM80 Brass Screws



* RAMP HOLE - 148mm from the top of the floor
- 850mm from the ground
- 1412mm from the top

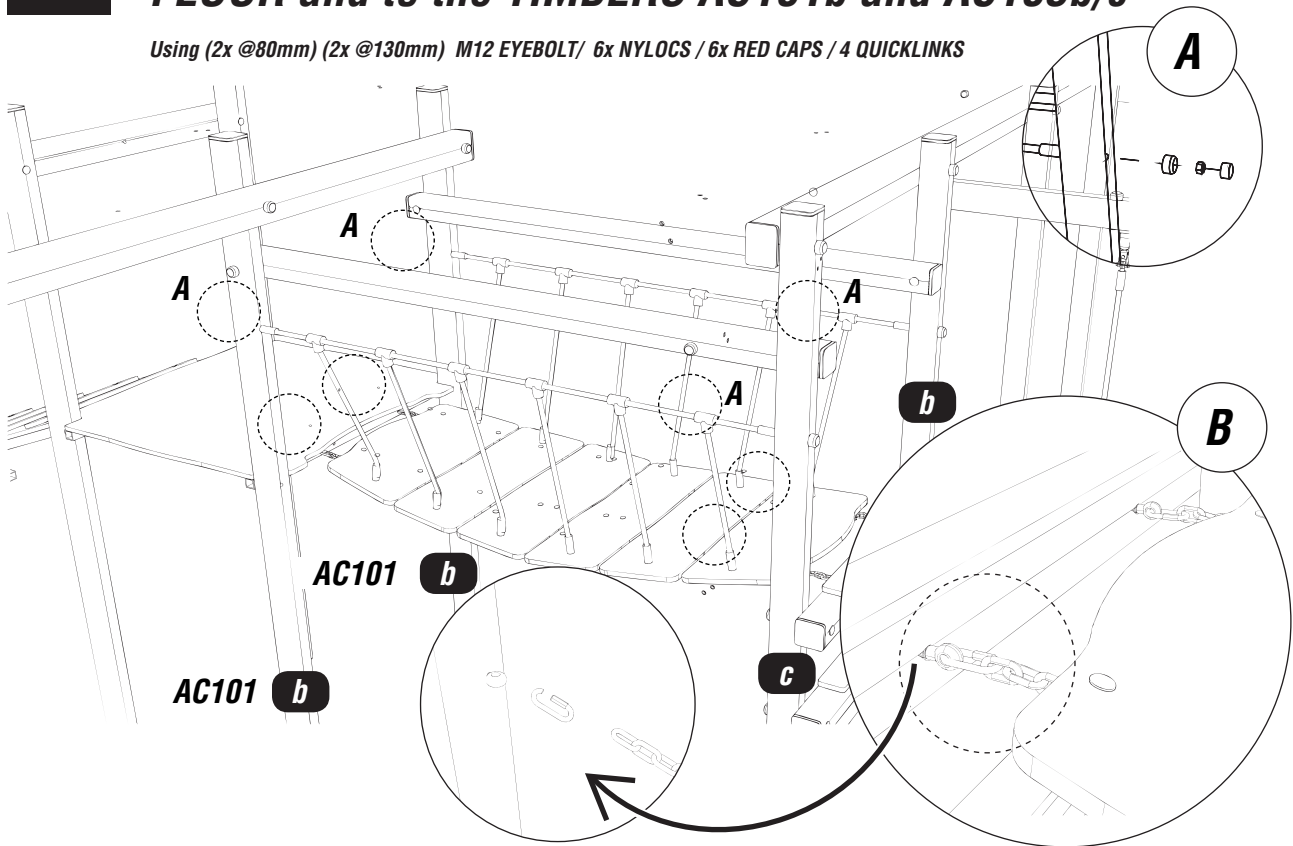


Installation Instructions

10

Attach the CLATTERBRIDGE to the EYEBOLTS , METAL FLOOR and to the TIMBERS AC101b and AC103b/c

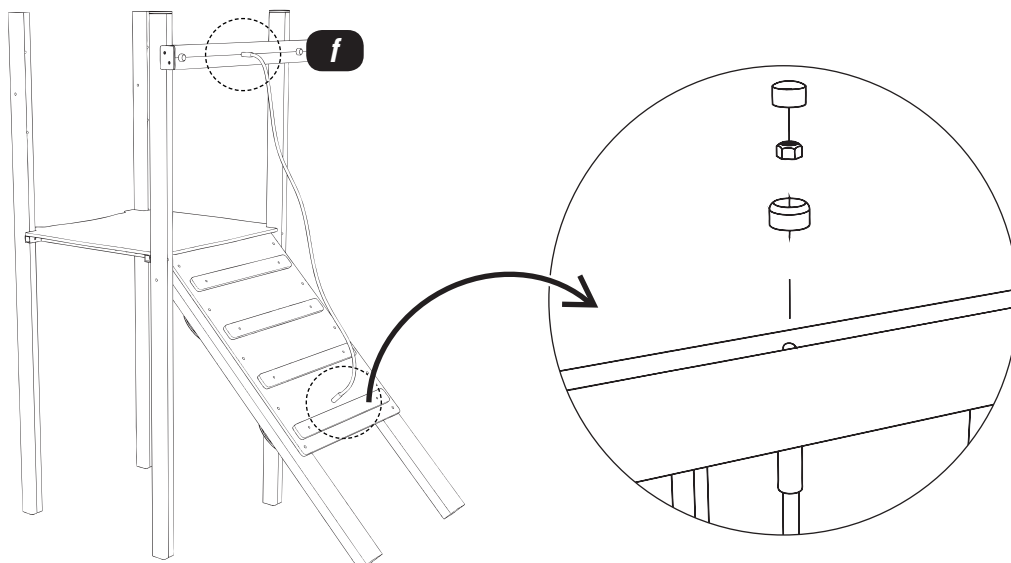
Using (2x @80mm) (2x @130mm) M12 EYEBOLT/ 6x NYLOCS / 6x RED CAPS / 4 QUICKLINKS



11

Attach the RAMP ROPE to the ramp and AC103f

Using 2x NYLOCS / 2x RED CAPS



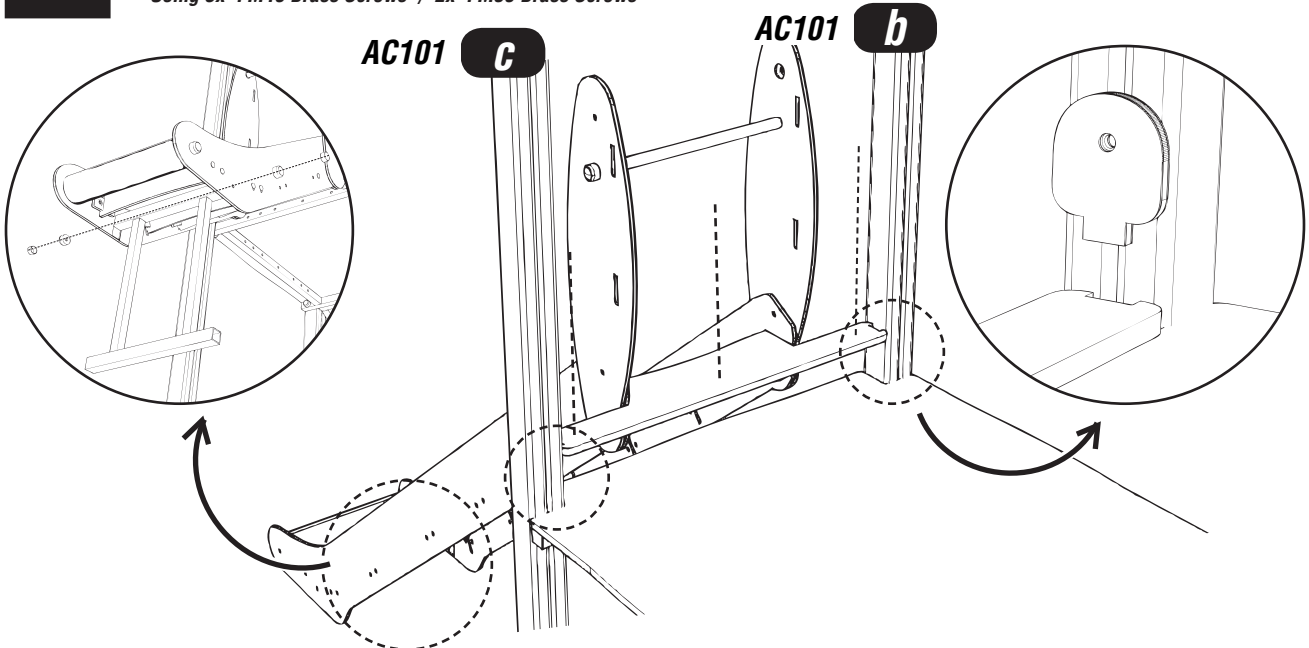
19

Installation Instructions

12

Attach the SLIDE to the HEXBOARD FLOOR

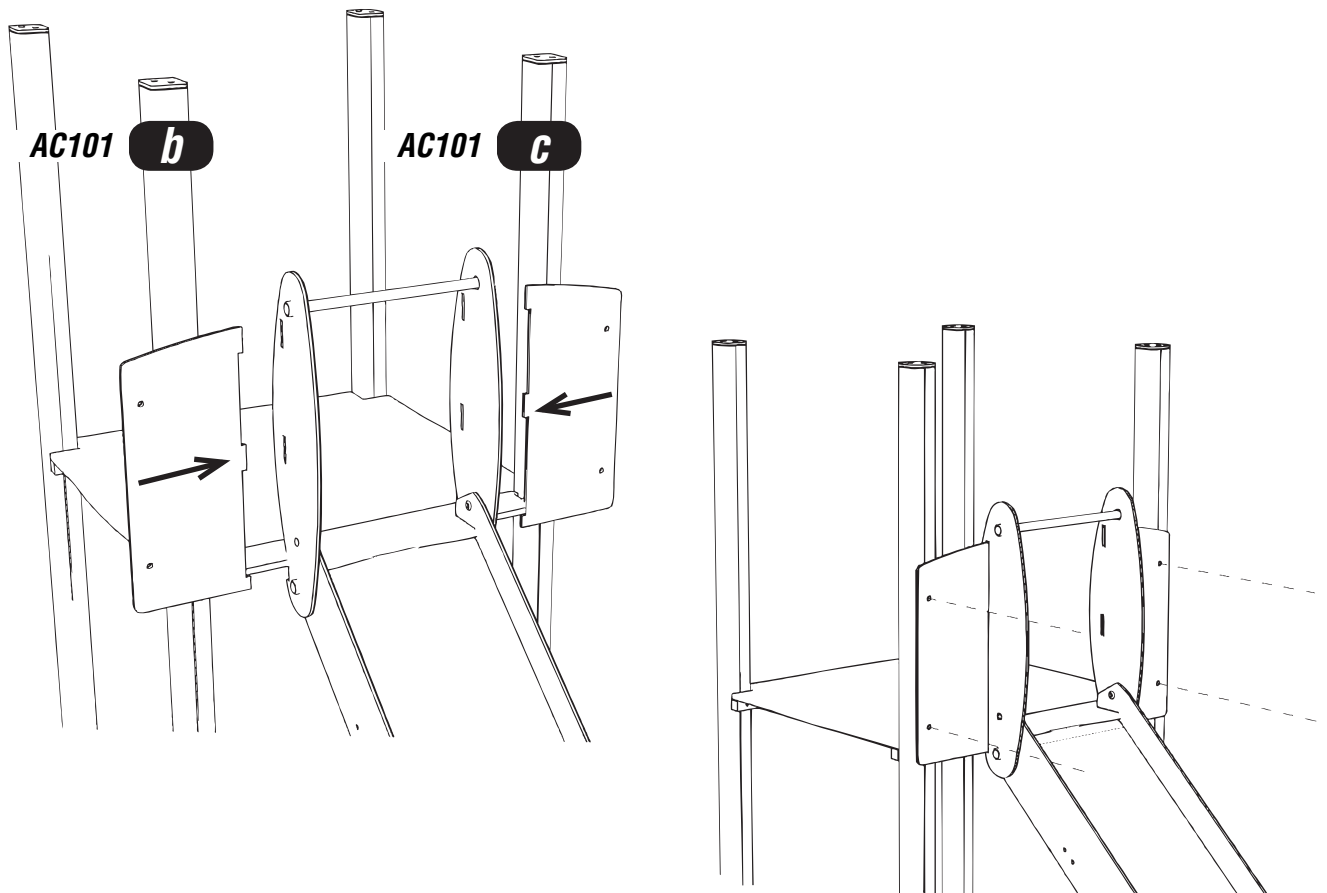
Using 3x 'FM40 Brass Screws' / 2x 'FM80 Brass Screws'



13

Insert the SLIDE SIDES to the SLIDE and to the timbers P1

4x 'FM80 Brass Screws'

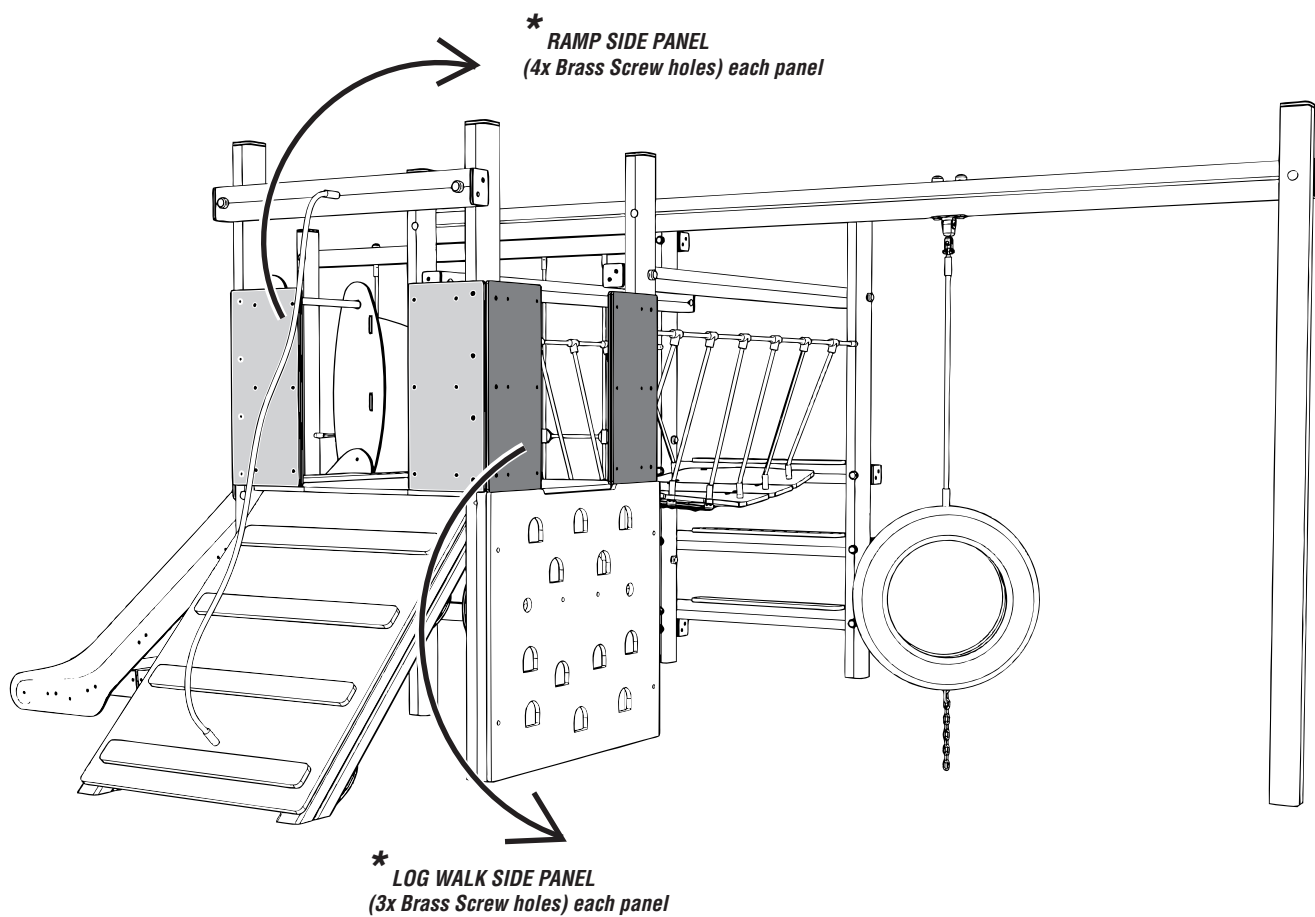


Installation Instructions

22

Attach the RAMP and CLIMBING SIDE PANELS

Using 14x 'FM80 Brass Screws'



Additional Dimensions

