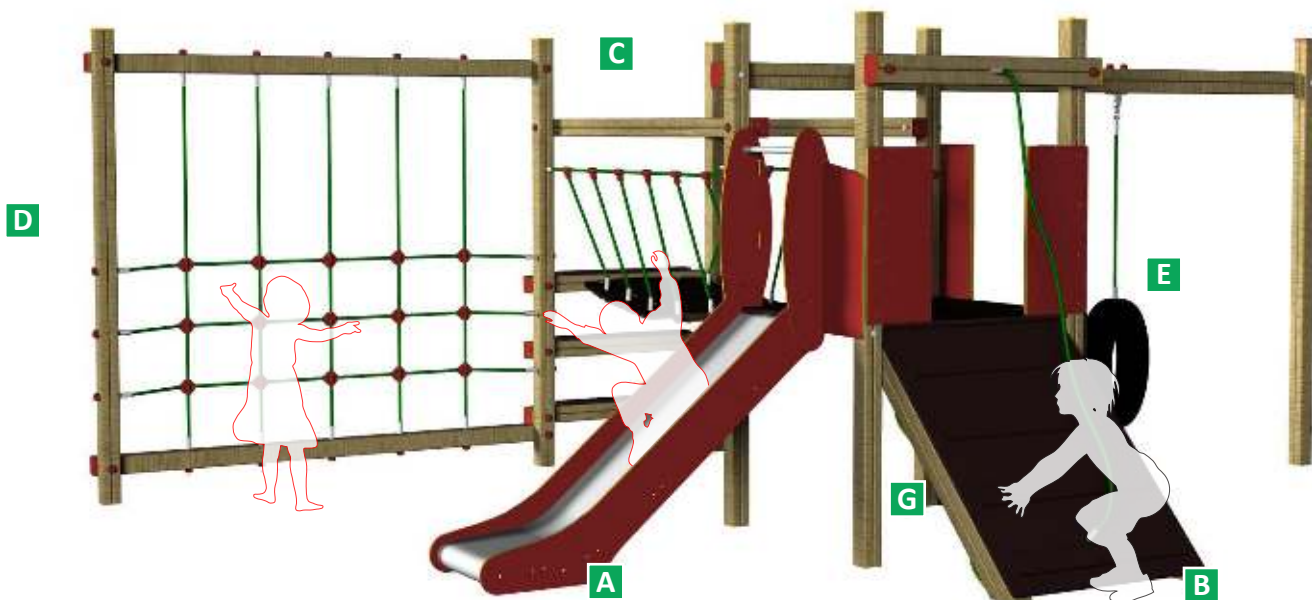


CLYDE ACTIVITY CENTRE

creative
play

FFH: 1.2 m
MIN. AREA: 49.3 m²



Ropes and nets
Polypropylene covered
multi-filament steel core rope
secured with hydraulically
pressed end connections and
custom made tamper-proof
net joints.



Floors and Ramps
Birch plywood exterior
panels with a dense, rough
'wire-mesh' pattern surface
to provide a slip-resistant
finish.



All metal is powder coated
steel, which gives a smooth
durable clean finish.

FEATURES

1m SLIDE / 1m RAMP WITH ROPE POLE / CLATTERBRIDGE / CLIMBING NET / TYRE / 1m CLIMBING WALL

A

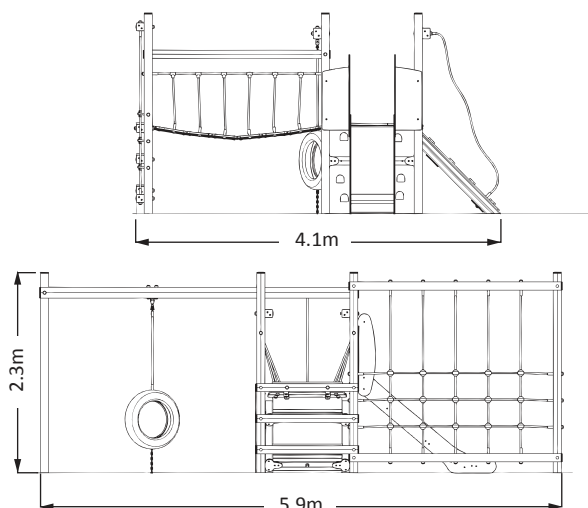
B

C

D

E

G



----- = MINIMUM SPACE ————— = SURFACE AREA

