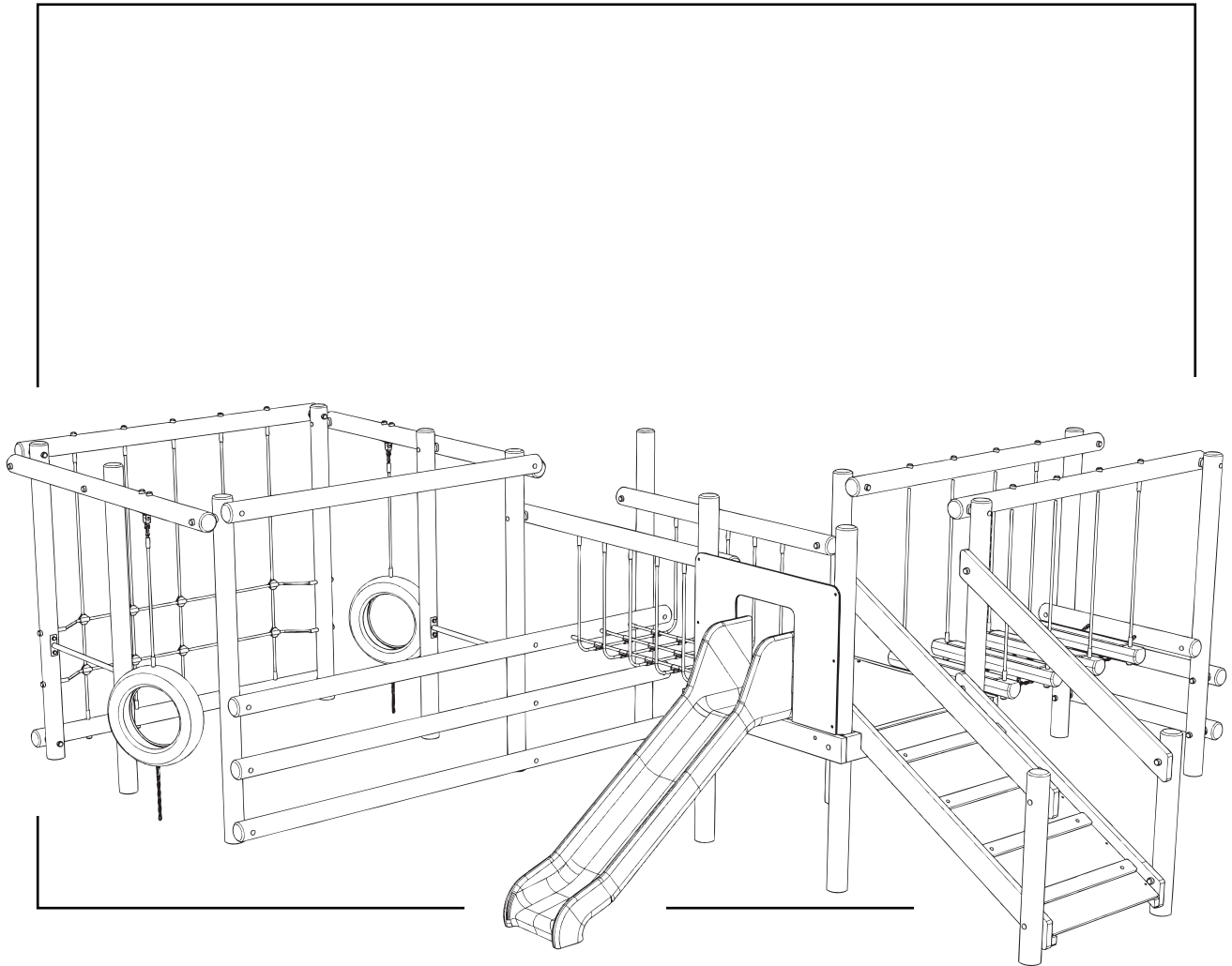


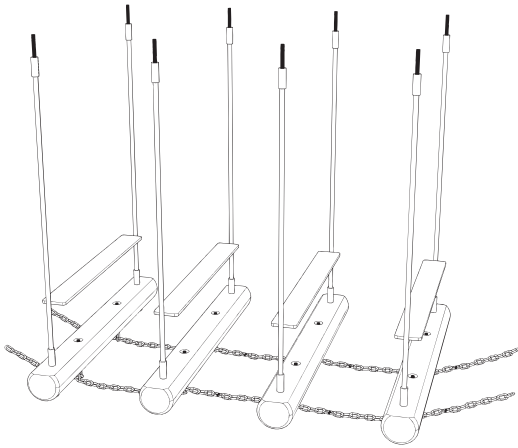
DART ACTIVITY CENTRE ROUND

Installation Instructions

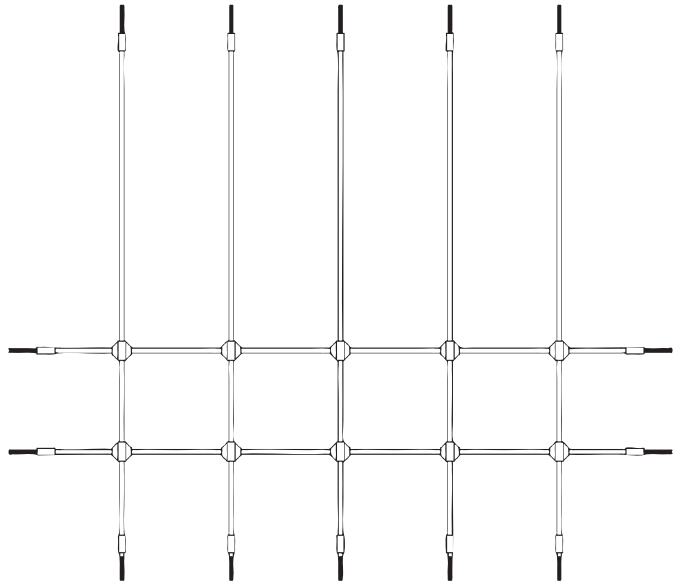
**creative
play**



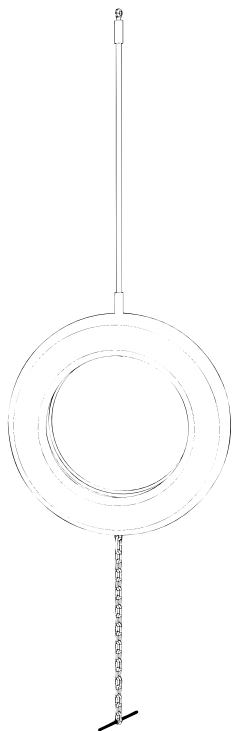
PARTS required



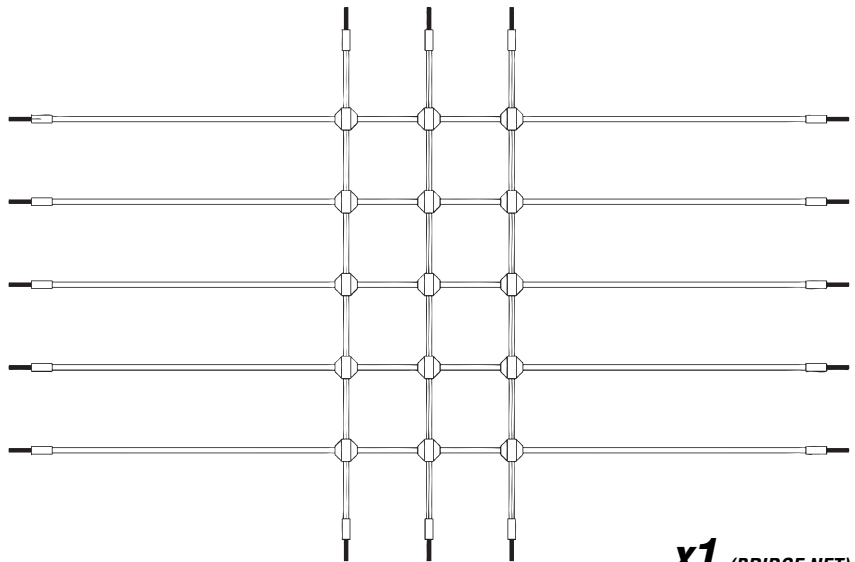
x1 (LOG WALK)



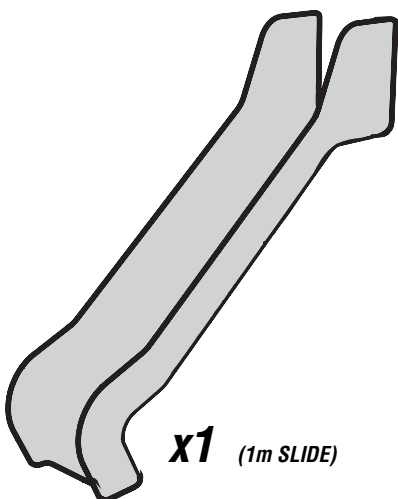
x1 (NET)



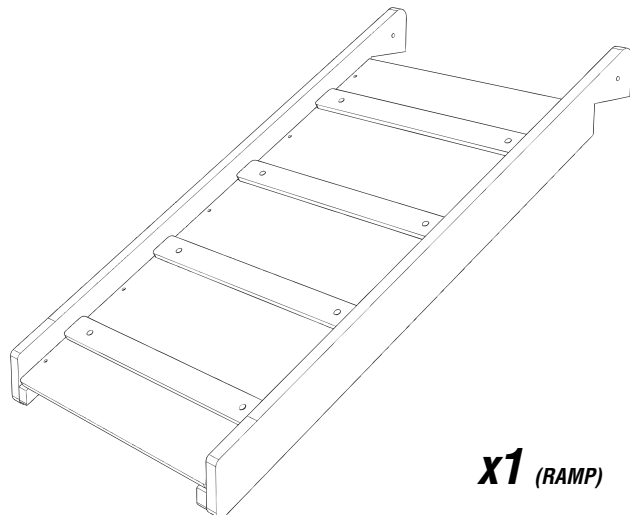
x2 (TYRE + ROPE + CHAIN)



x1 (BRIDGE NET)

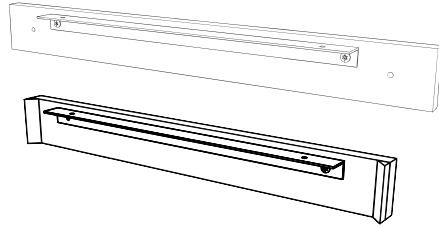


x1 (1m SLIDE)



x1 (RAMP)

PARTS required

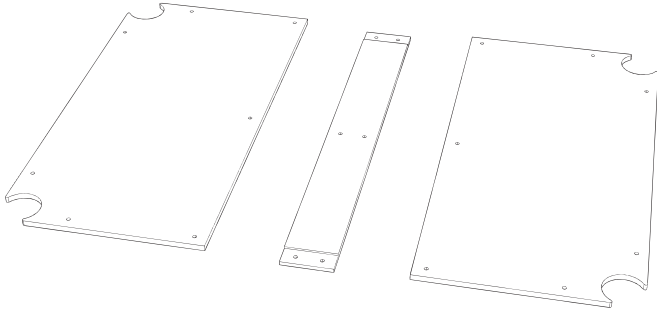


x1 (SLIDE SIDE PANEL)

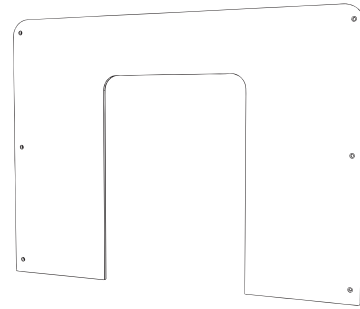
x1 (BRIDGE NET SIDE PANEL)

x1 (LOG WALK SIDE PANEL)

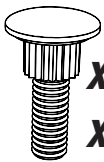
x1 (RAMP SIDE PANEL)



x1 (Hexboard Floor)

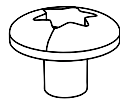


x1 (PLAYTEC Slide Panel)



x8 (3B - TORKTAINER)

x6 (4B - TORKTAINER)



x8 (N1 - TORKTAINER)

x6 (N3 - TORKTAINER)



x4 (M12 x 140 Square Cup HEX bolt)

x4 (M12 x 180 Square Cup HEX bolt)

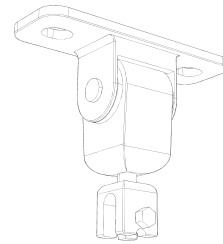
x10 (M12 x 190 Square Cup HEX bolt)

x40 (M12 x 300 Square Cup HEX bolt)

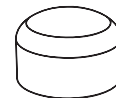


x10 (FM80 'Brass screws')

x2 (FM40 'Brass screws')



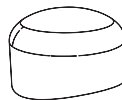
x2 (Swing Hanger)



x14 (end caps)



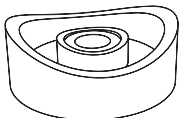
x8 (M8 Plastic Cover)



x86 (end caps R60)

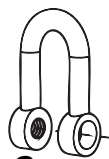


x4 (small caps blue)

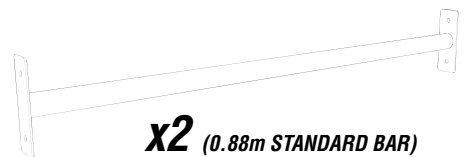


x50 (120 Distance piece)

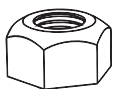
120 label is shown on the inside



x2 (D-Shackle)



x2 (Ø.88m STANDARD BAR)



x99 (M12 'NYLOC')

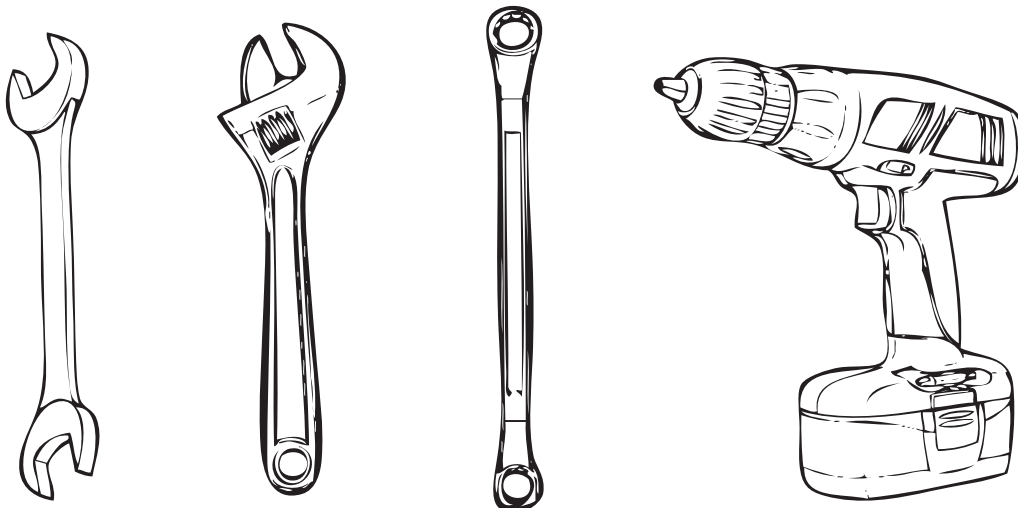
TIMBERS required



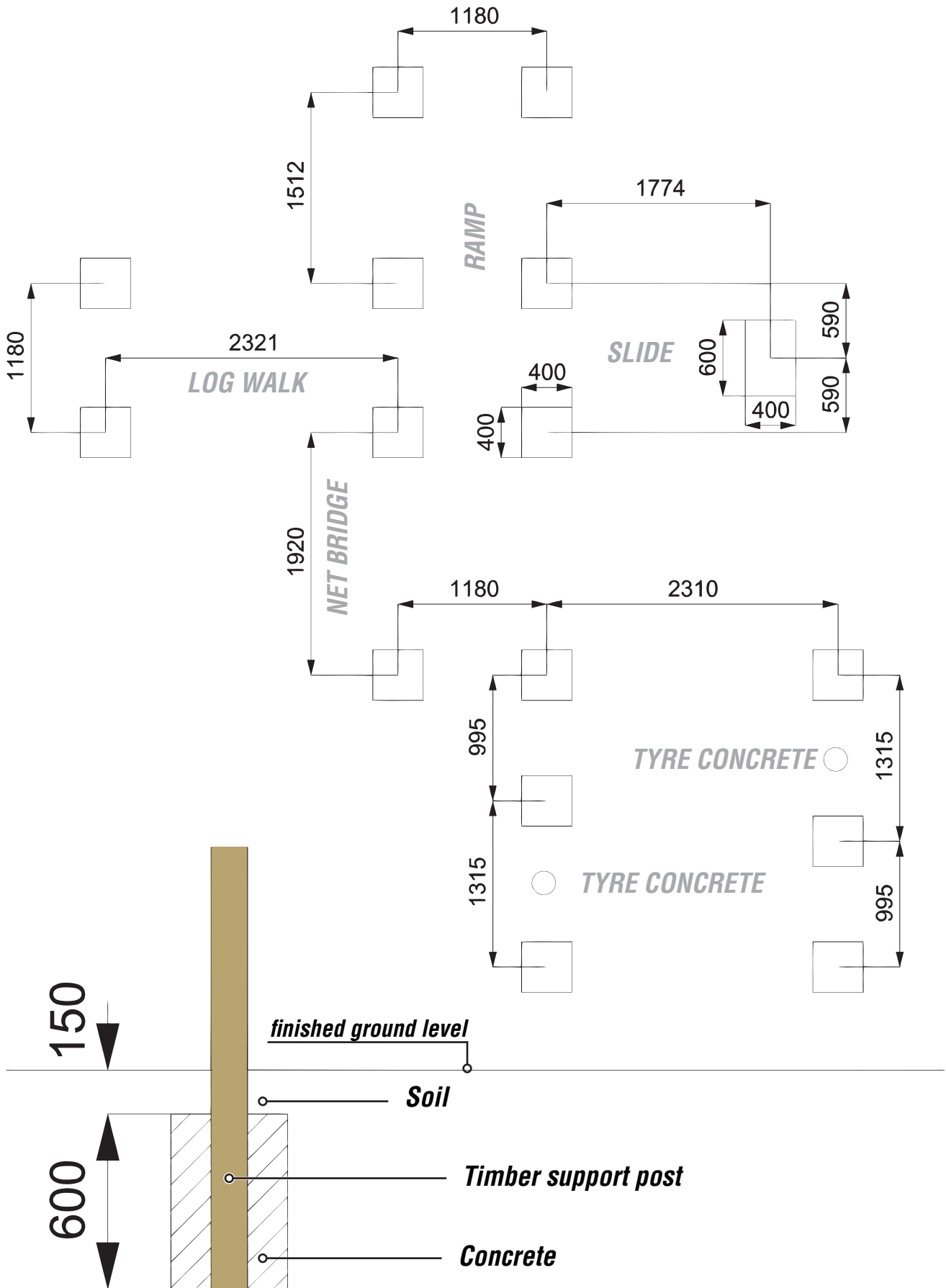
CODE	TYPE	SIZE mm	QTY
CF101Ra	Ø 125mm	3000	1
CF101Rc	Ø 125mm	3000	2
CF101Rd	Ø 125mm	3000	1
CF101Re	Ø 125mm	3000	1
CF101Rf	Ø 125mm	2460	2
CF101Rg	Ø 125mm	2460	1
CF101Rh	Ø 125mm	2460	2
AC101Ra	Ø 125mm	3000	1
AC101Rb	Ø 125mm	3000	1
AC101Rc	Ø 125mm	3640	3
AC101Rd	Ø 125mm	2070	2
AC101Re	Ø 125mm	3000	1
AC101Rf	Ø 125mm	3000	1
AC101Rg	Ø 125mm	3000	1
AC101Rh	Ø 125mm	3000	1
AC101Ri	Ø 125mm	2470	1
AC101Rj	Ø 125mm	3000	2
AC101Rk	Ø 125mm	1330	1
AC101Rl	Ø 125mm	1330	2
AC101Rn	Ø 125mm	1871	2

CODE	TYPE	SIZE mm	QTY
CF101Rs	156x43mm	1951	2

TOOLS required

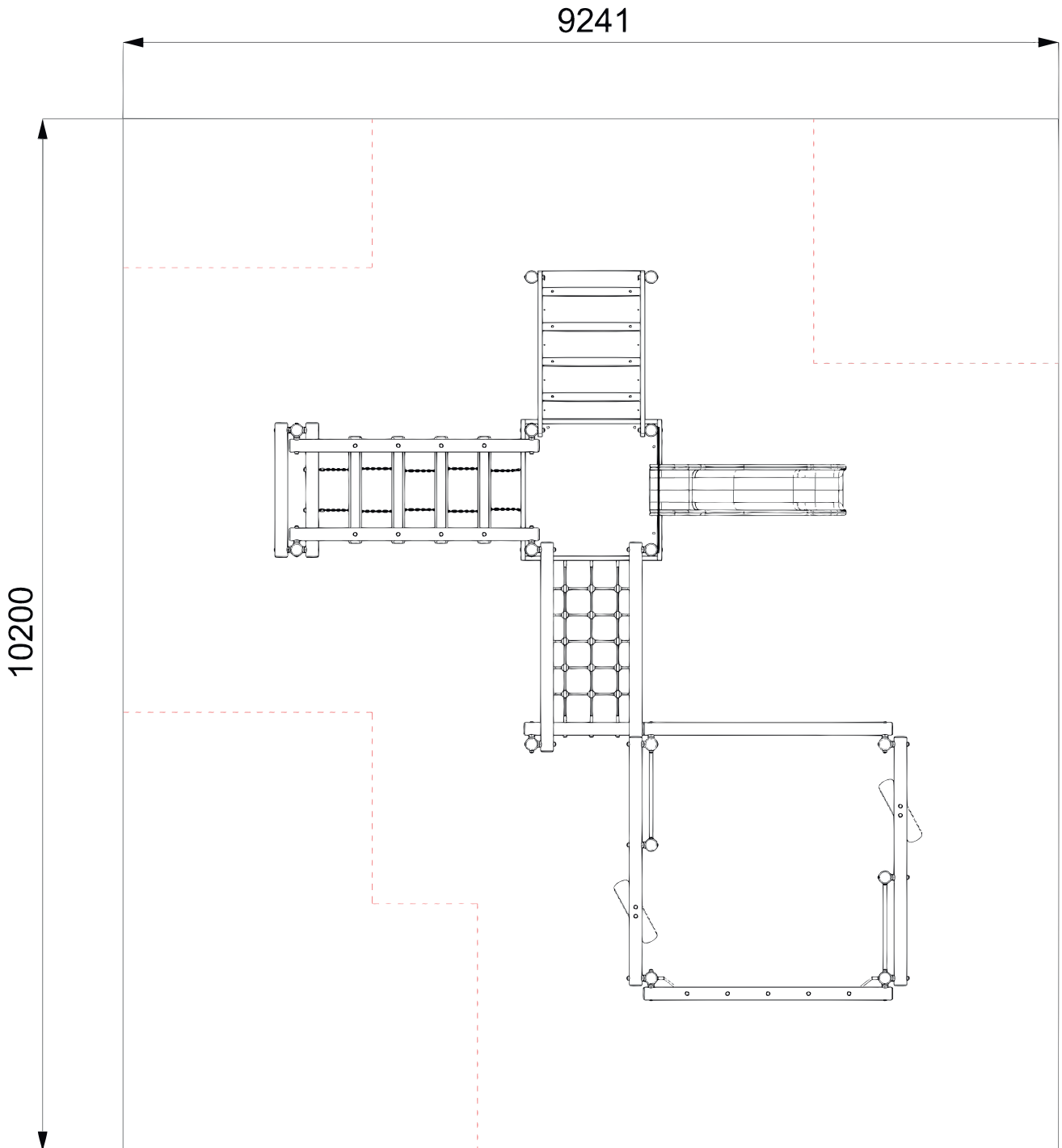


Foundation Details



Surfacing Details

- - - - - = **MINIMUM SPACE**
- = **SURFACE AREA**

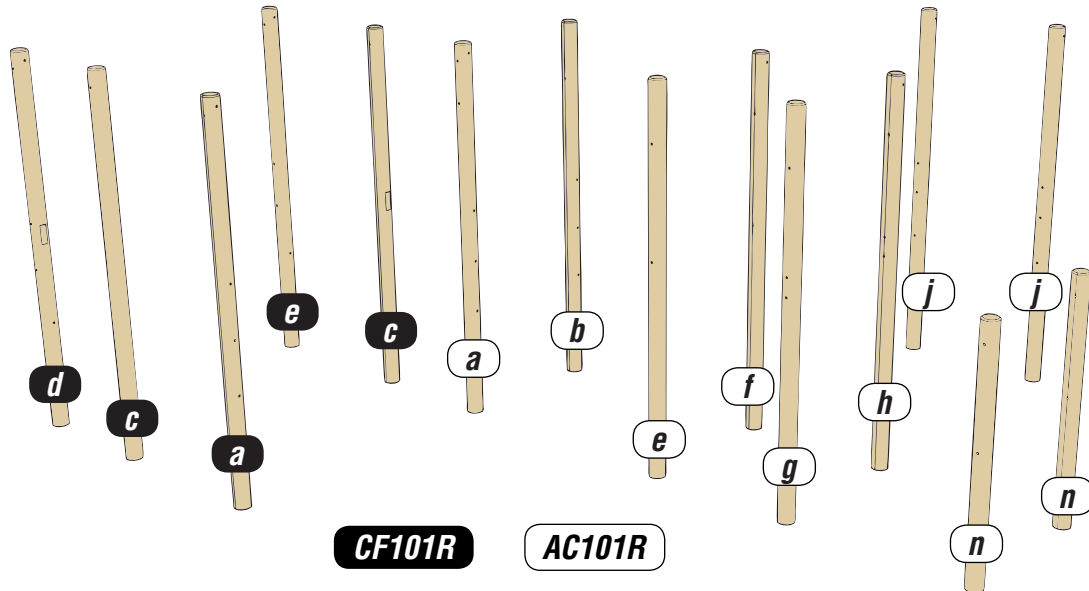


Installation Instructions

1

Install the UPRIGHTS CF101Ra/c/d/e & AC101Ra/c/d/e

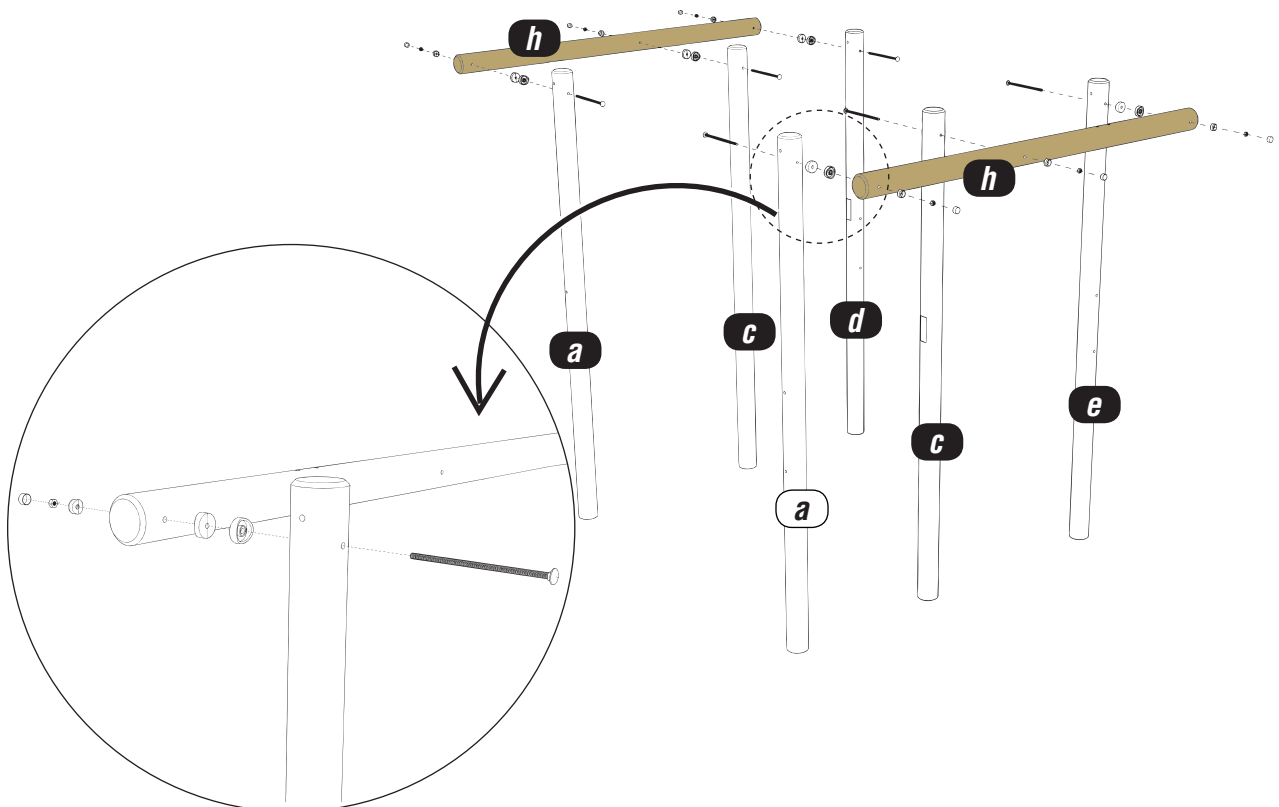
Follow Foundation details



2

Attach the Timber CF101Rh to the Timbers CF101Ra/b/c/d/e AC101Ra

Using 12x 120 Distance piece/ 6x @300mm M12 SQUARE CUP HEX BOLTS / 6x NYLOCS / 6x END CAPS R60

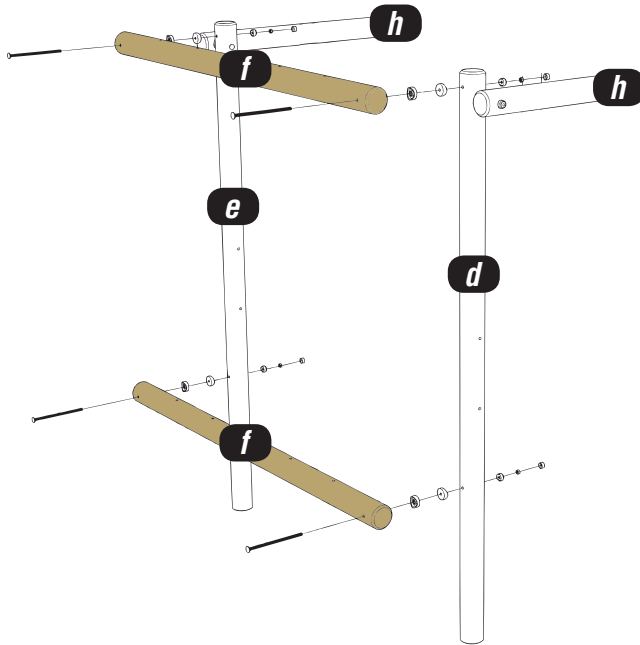


Installation Instructions

3

Attach the Timber CF101Rf to the Timbers CF101Rd/e

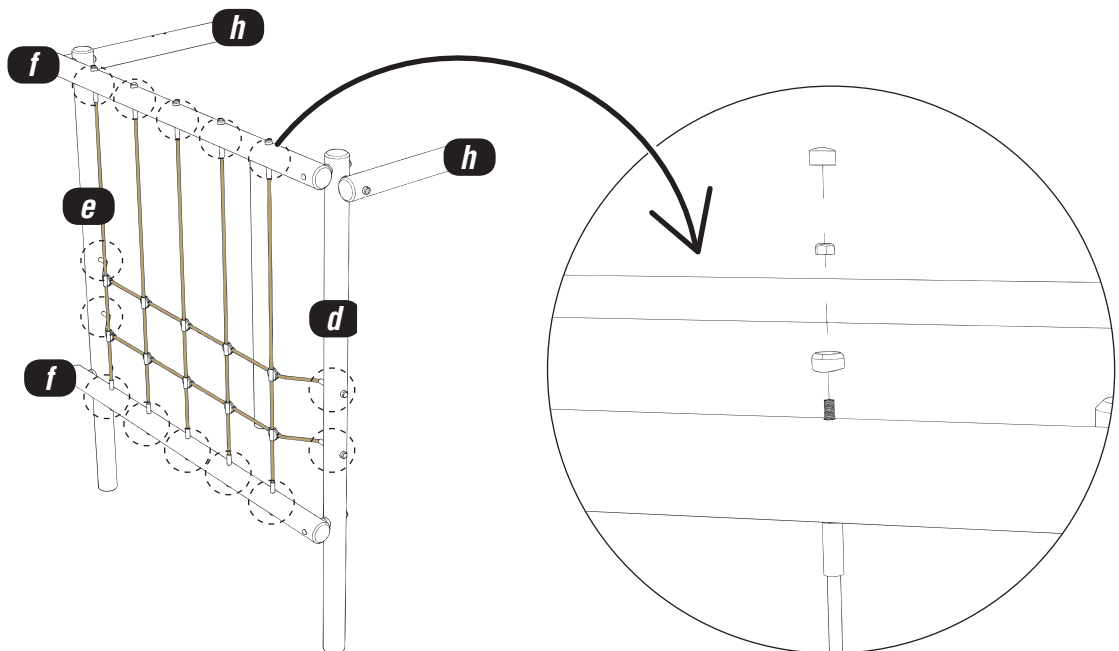
Using 8x 120 Distance piece / 4x @300mm M12 SQUARE CUP HEX BOLTS / 4x NYLOCS / 4x END CAPS R60



4

Attach NET to the Timbers CF101Rd/e/f

Using 14x NYLOCS / 14x END CAPS R60

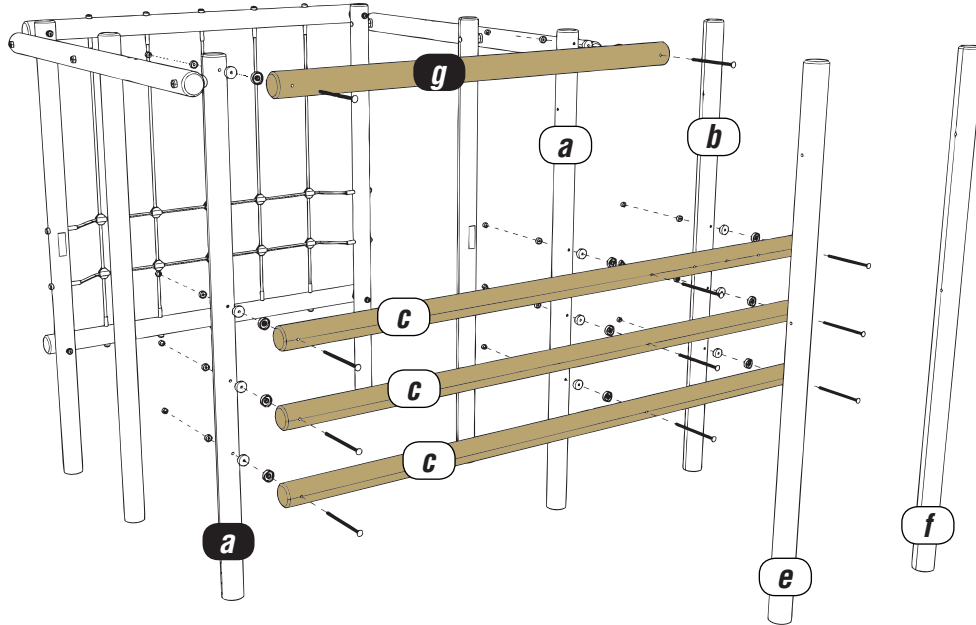


Installation Instructions

5

Attach the Timber CF101Rg and AC101Rc to the Timbers CF101Ra and AC101Ra/b

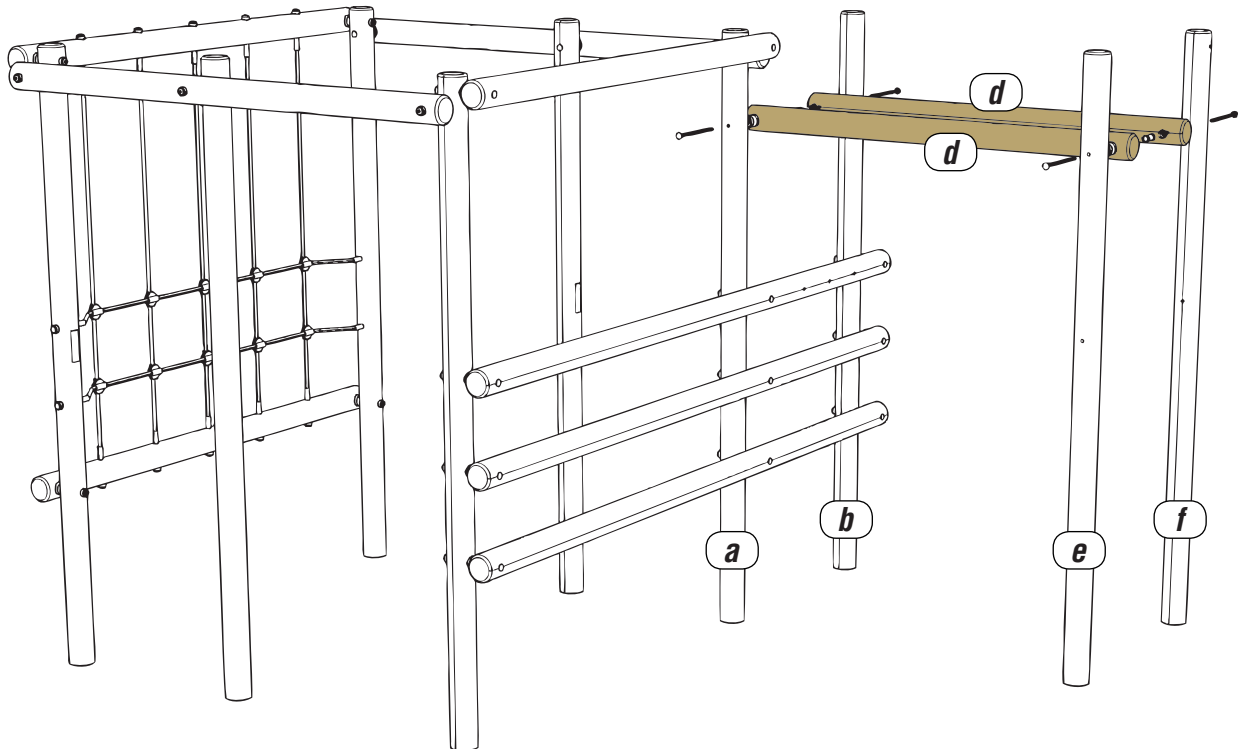
Using 22x 120 Distance piece/ 11x @300mm M12 SQUARE CUP HEX BOLTS / 11x NYLOCS / 11x END CAPS R60



6

Attach the Timber AC101Rd to the Timbers AC101Ra/b/e/f

Using 8x 120 Distance piece/ 4x @300mm M12 SQUARE CUP HEX BOLTS / 4x NYLOCS / 4x END CAPS R60

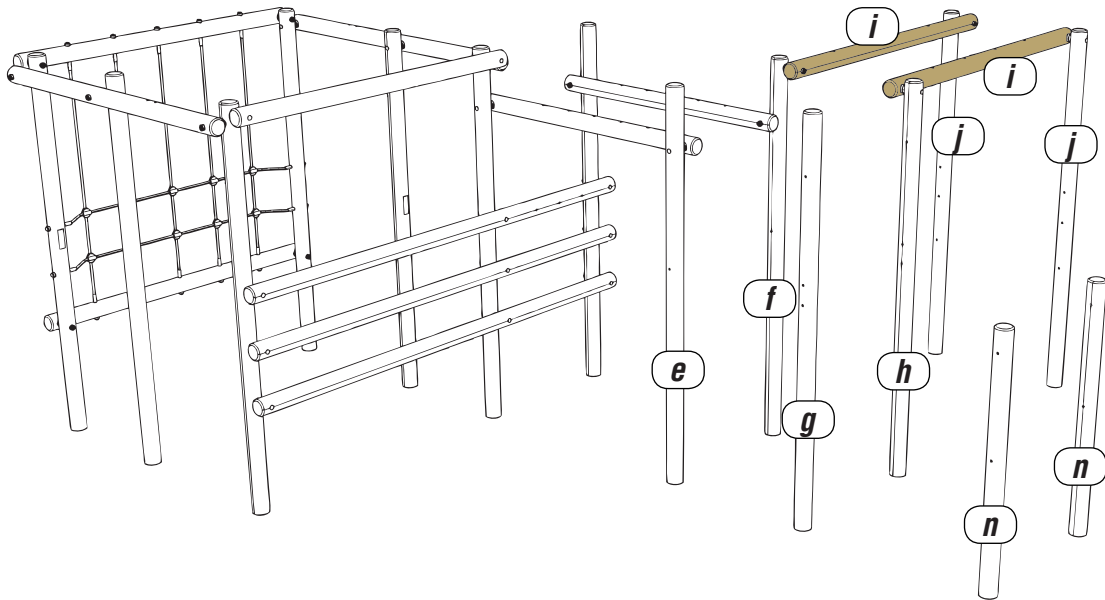


Installation Instructions

7

Attach the Timber AC101Rd to the Timbers AC101Ra/b/e/f

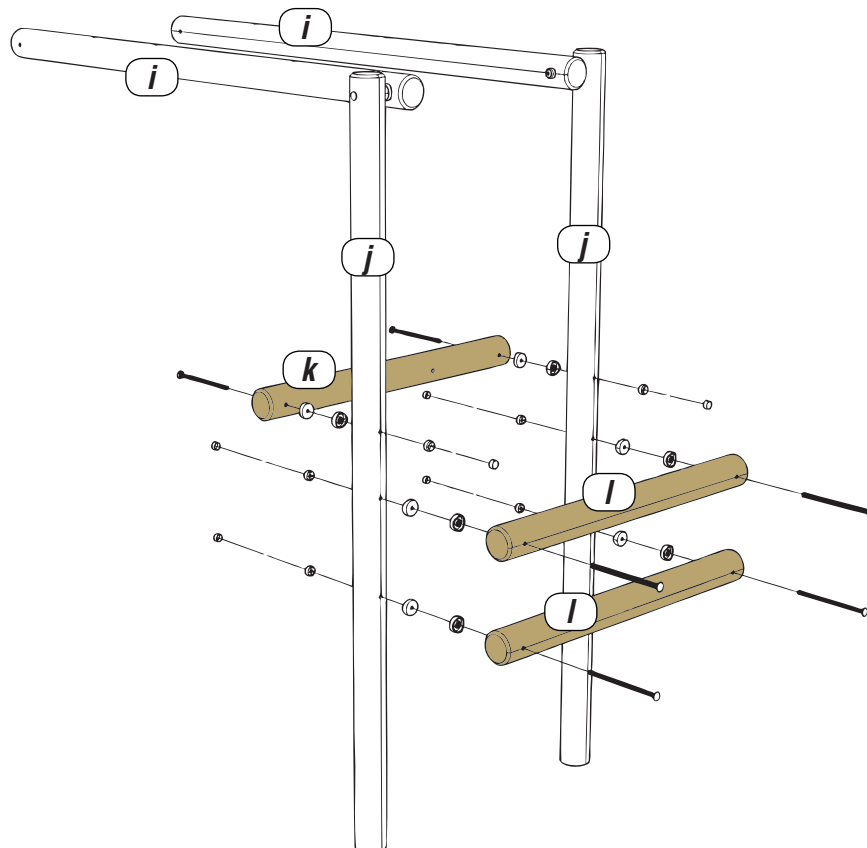
Using 8x 120 Distance piece/ 4x @300mm M12 SQUARE CUP HEX BOLTS / 4x NYLOCS / 4x END CAPS R60



8

Attach the Timber AC101Rl/k to the Timbers AC101Rj

Using 12x 120 Distance piece/ 6x @300mm M12 SQUARE CUP HEX BOLTS / 6x NYLOCS / 6x END CAPS R60

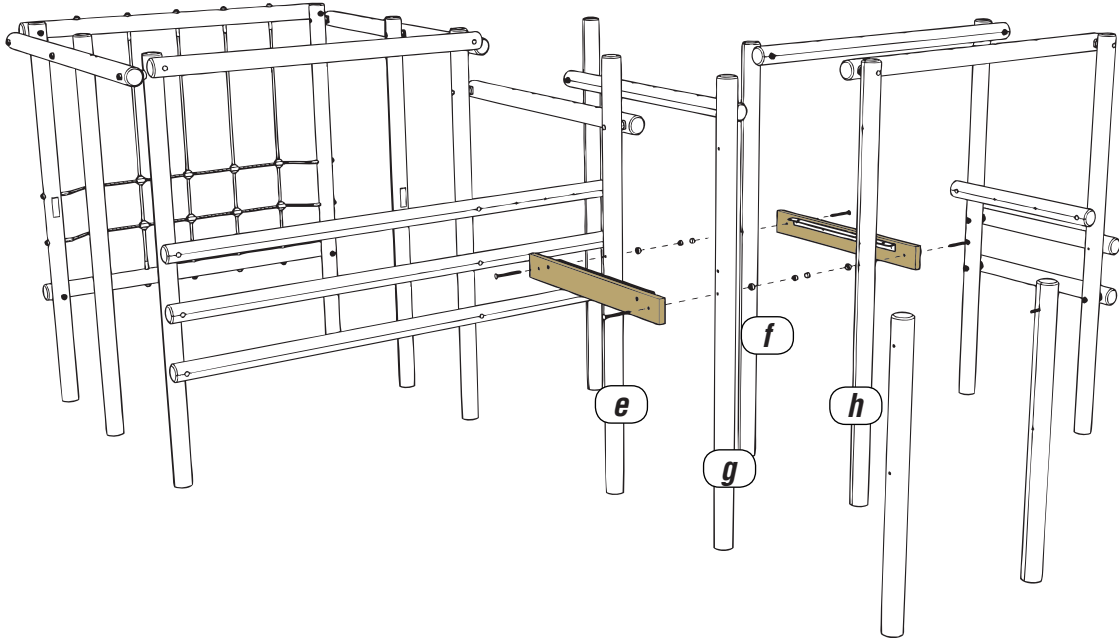


Installation Instructions

9

Attach the Slide and Log Walk SIDE PANEL to the Timbers AC101Re/f/g/h

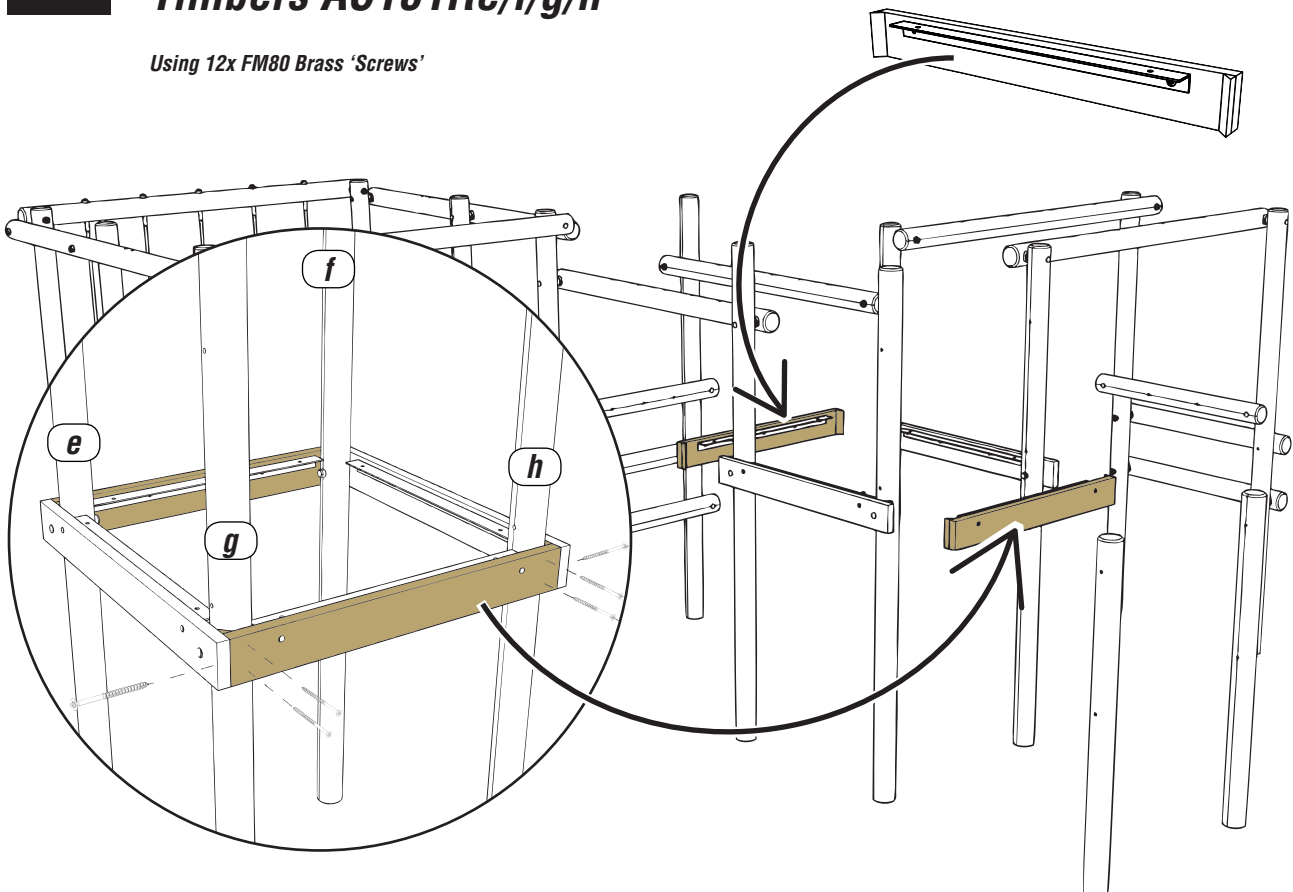
Using 4x @180mm M12 SQUARE CUP HEX BOLTS / 4x NYLOGS / 4x END CAPS R60



10

Attach the Net Bridge and Ramp SIDE PANEL to the Timbers AC101Re/f/g/h

Using 12x FM80 Brass 'Screws'

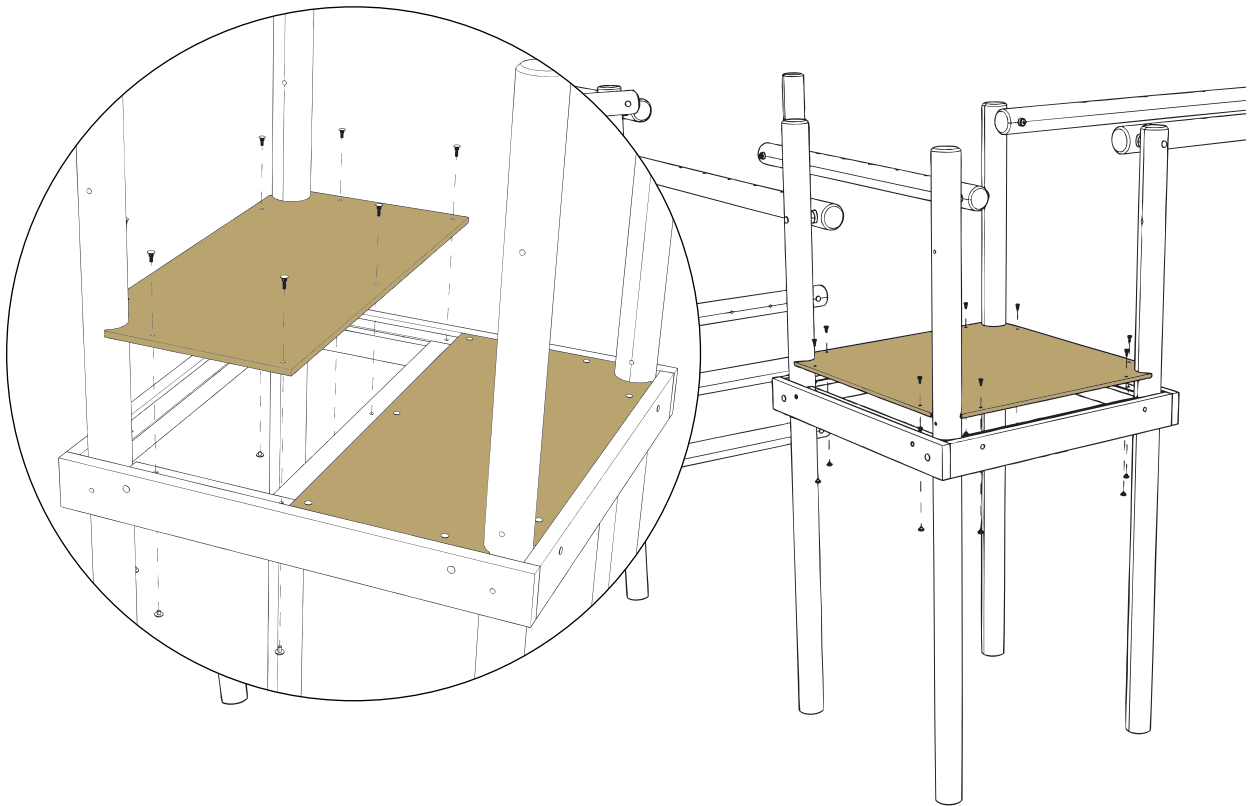


Installation Instructions

11

Attach the Floor to the SIDE PANELS

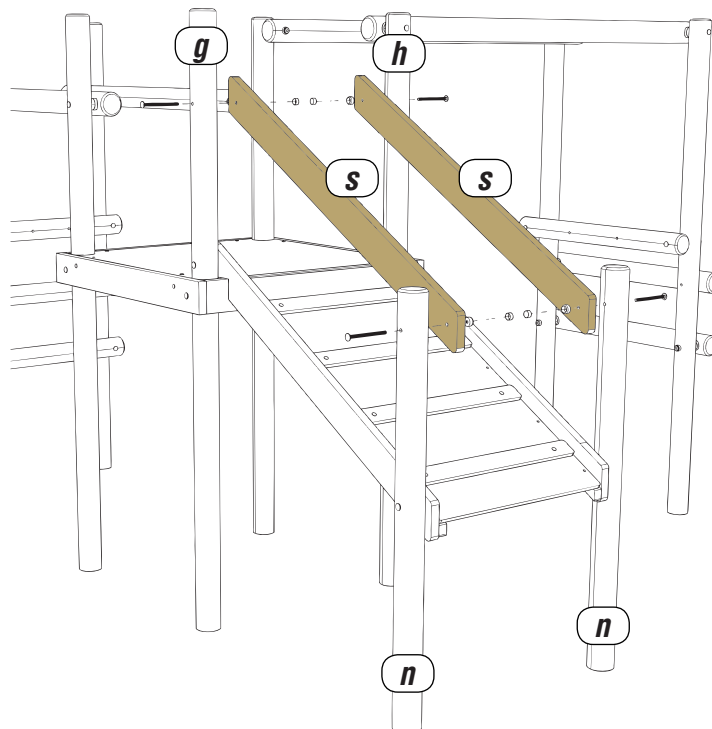
Using 4x (3B) / 6x(4B) / 6x (N1) / 6x (N3) TORKTAINERS



12

Attach the Timber AC101Rs to the Timbers AC101Rg/h/n

Using 4x @180mm M12 SQUARE CUP HEX BOLTS / 4x NYLOGS / 4x END CAPS R60



Installation Instructions

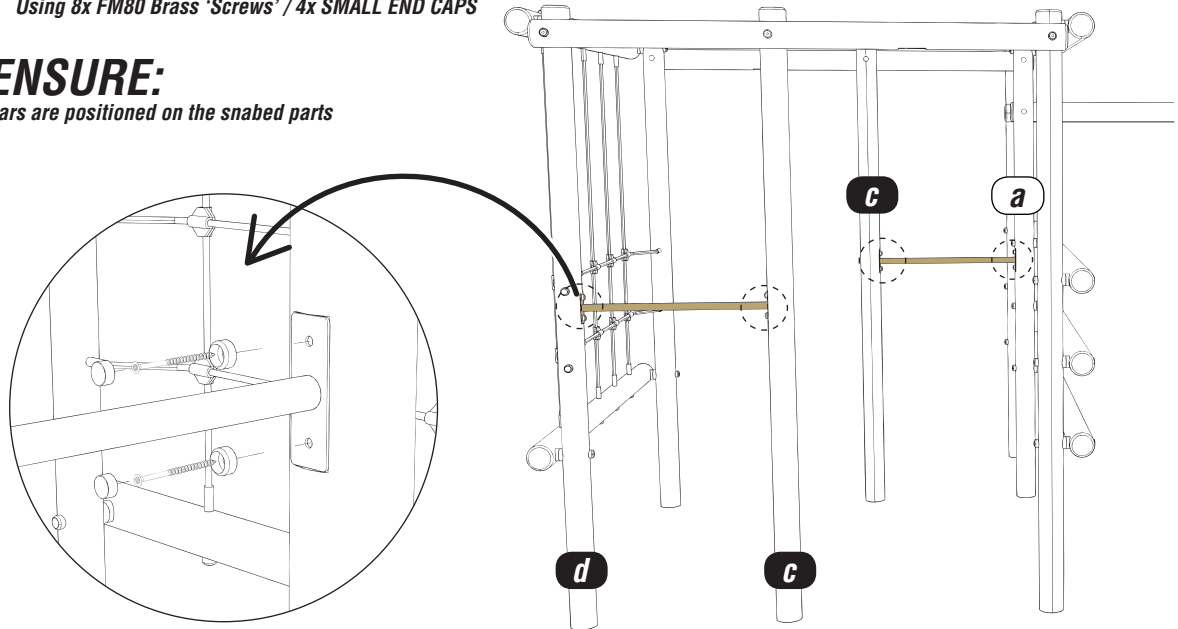
13

Attach STANDARD BAR to the Timbers CF101R/c/d - AC101Ra

Using 8x FM80 Brass 'Screws' / 4x SMALL END CAPS

ENSURE:

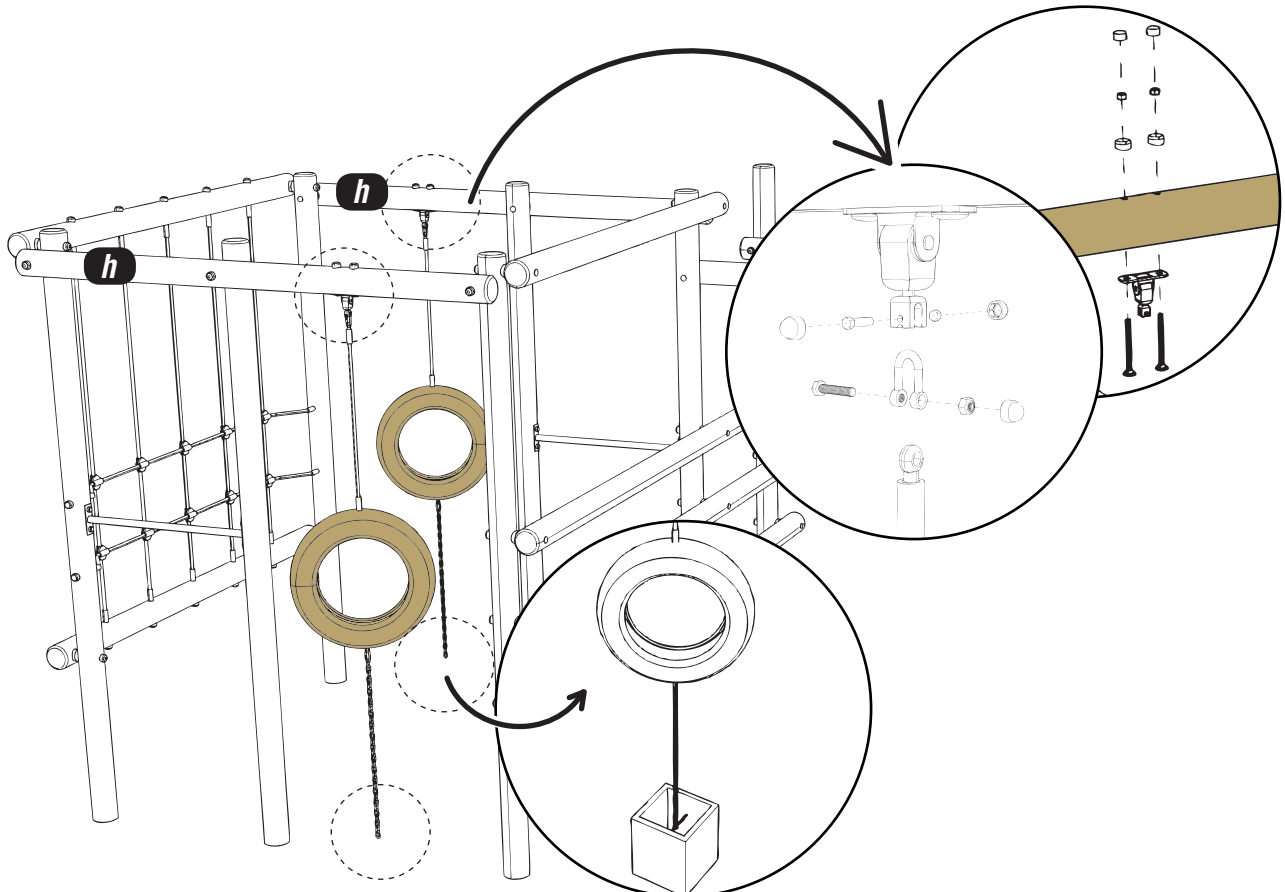
Bars are positioned on the snaped parts



12

Attach the TYRE ASSEMBLY to the CF101Rh

Using 4x @140mm M12 SQUARE CUP HEX BOLTS / 4x NYLOCS / 4x END CAPS R60 / 2x Swing Hangers / 2x D-Shackle / 8x M8 Plastic Covers

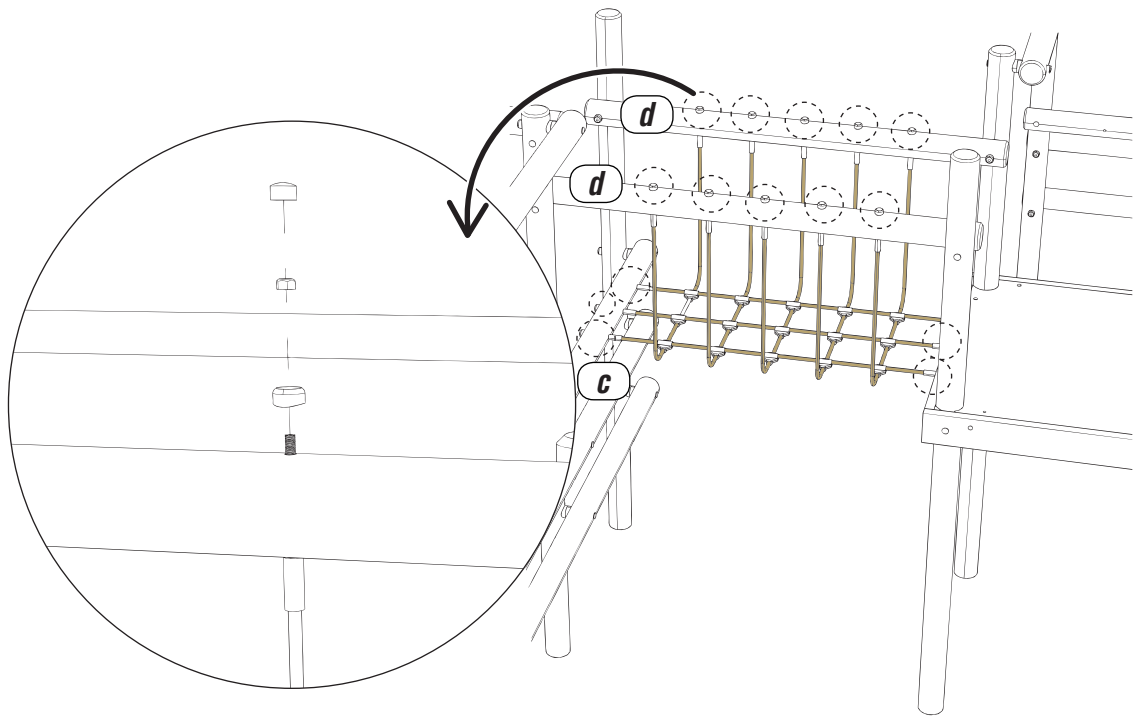


Installation Instructions

13

Attach BRIDGE NET to the Timbers AC101Rc/d and Panel

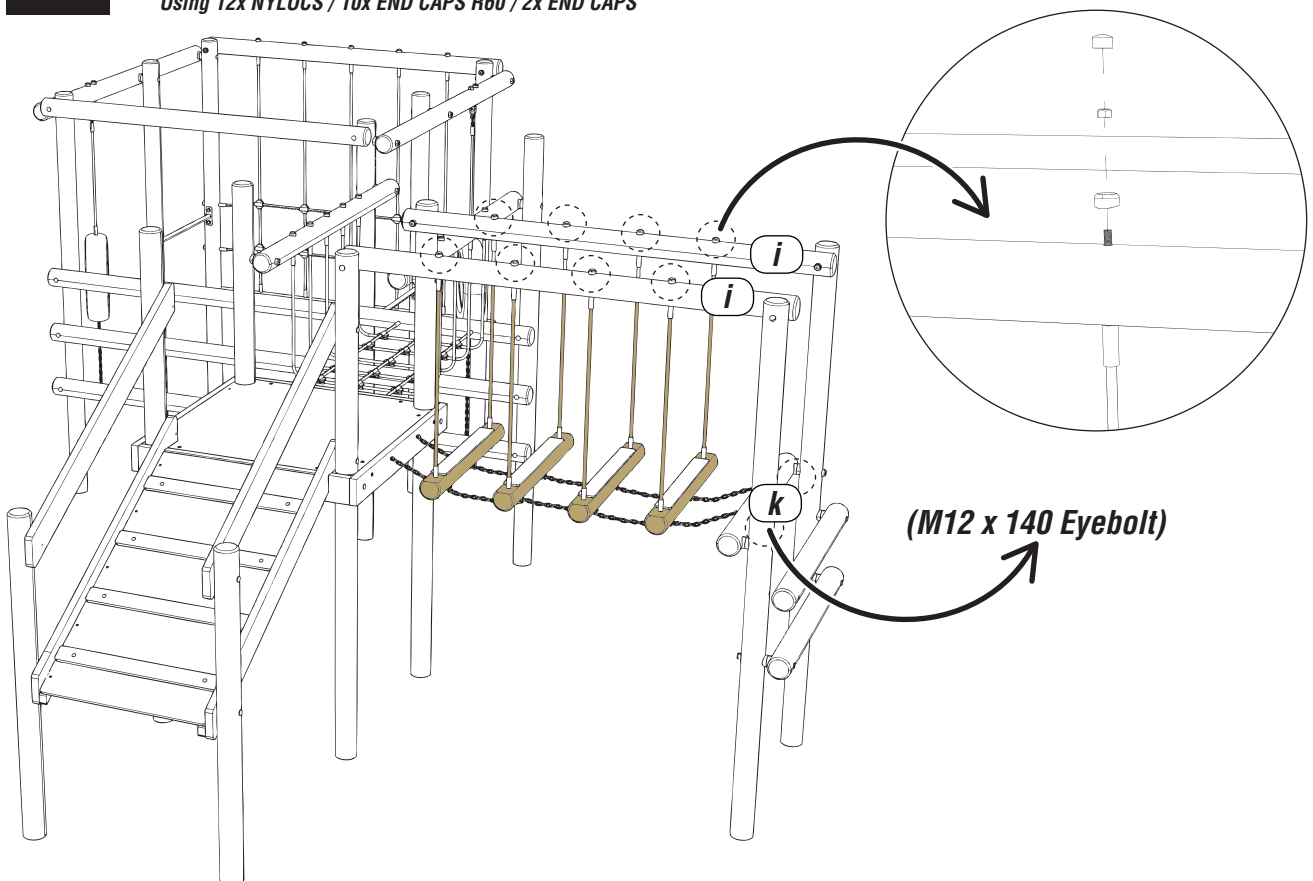
Using 16x NYLOCS / 13x END CAPS R60 / 3x END CAPS



14

Attach the LOG WALK to the AC101Ri/k and SIDE PANEL

Using 12x NYLOCS / 10x END CAPS R60 / 2x END CAPS

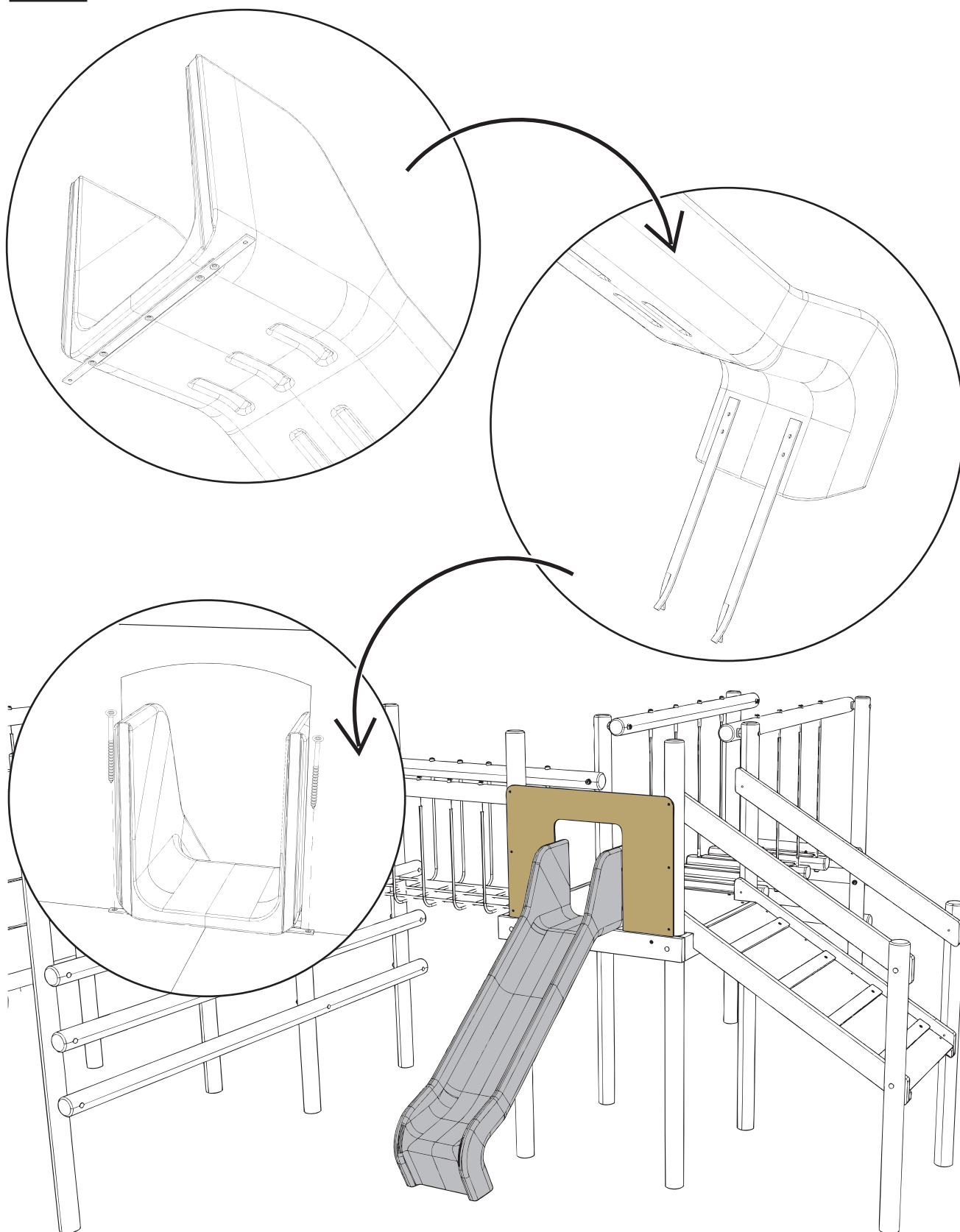


Installation Instructions

15

Attach the SLIDE TO THE PLATFORM

Using 4x "FM80 Brass Screws" / 2x "FM40 Brass Screws" and Slide Fittings



Additional Dimensions

