

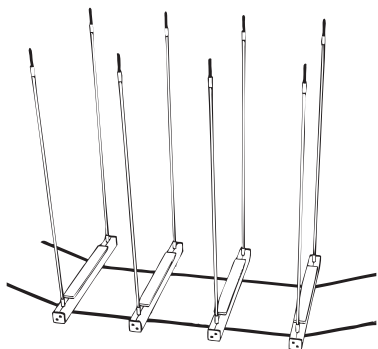
DART ACTIVITY CENTRE

Installation Instructions

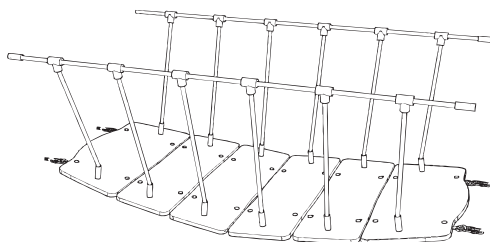
**creative
play**



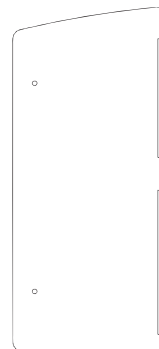
PARTS required



x1 (Log Walk Pre-assembly)

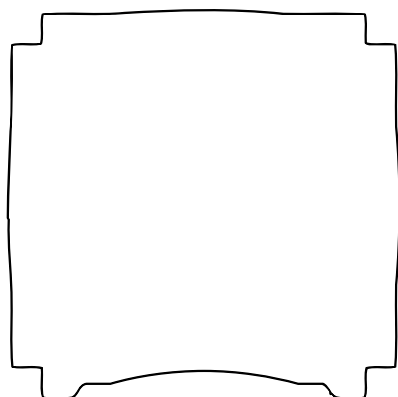


x1 (CLATTERBRIDGE)

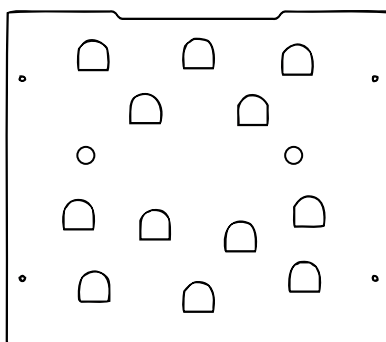


x1 LEFT (SLIDE SIDE)

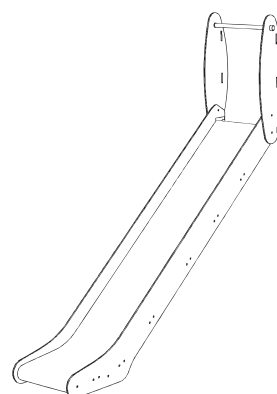
x1 RIGHT (SLIDE SIDE)



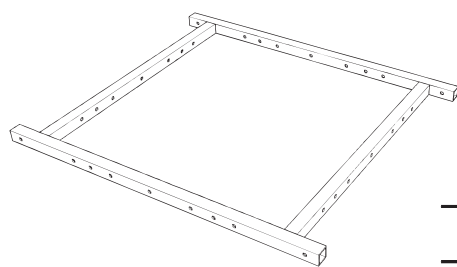
x1 (CLATTERBRIDGE 90 x 90 FLOOR)



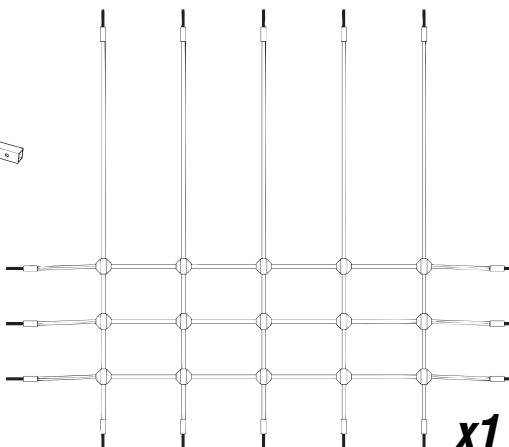
x1 (1m CLIMBING WALL)



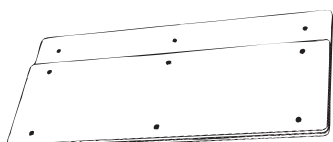
x1 (1m SLIDE)



x1 (ZENITH STANDARD FLOOR 90x90)



x1 (ROPE CLIMB)

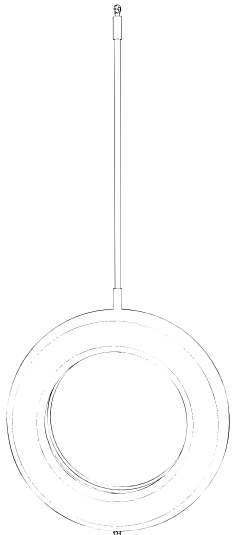


x2 (FLAT SIDES)

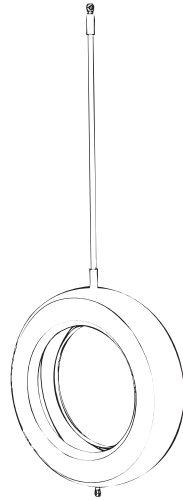
x2 (GROOVED SIDES)

x1 (RAMP ROPE)

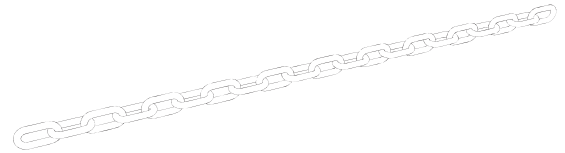
PARTS required



x1 (TYRE + ROPE + CHAIN)

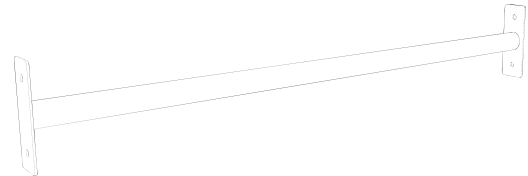


x3 (TYRE + ROPE)

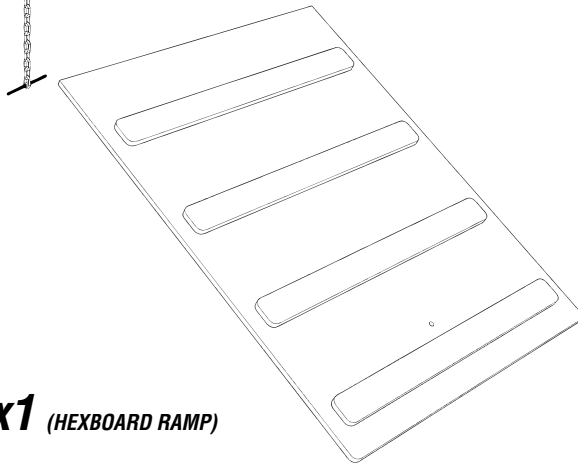


x2 (Chain @ 520mm)

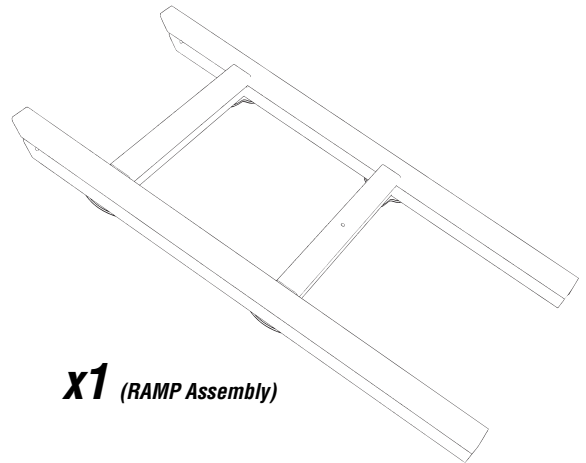
x2 (Chain @ 600mm)



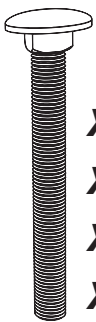
x1 (1m STANDARD BAR)



x1 (HEXBOARD RAMP)



x1 (RAMP Assembly)

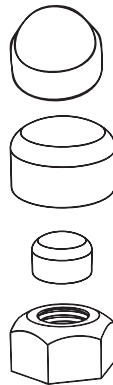


x2 (M12 x 100 Square Cup HEX bolt)

x8 (M12 x 110 Square Cup HEX bolt)

x4 (M12 x 150 Square Cup HEX bolt)

x36 (M12 x 200 Square Cup HEX bolt)



x12 (M8 Plastic Cover)

x82 (end caps)

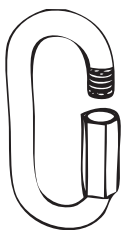
x4 (small end caps)

x82 (M12 'NYLOC')



x3 (FM40 'Brass screws')

x58 (FM80 'Brass screws')

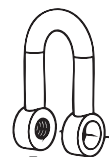


x9 (Quicklink)



x2 (M12 x 80 Eyebolt)

x8 (M12 x 130 Eyebolt)



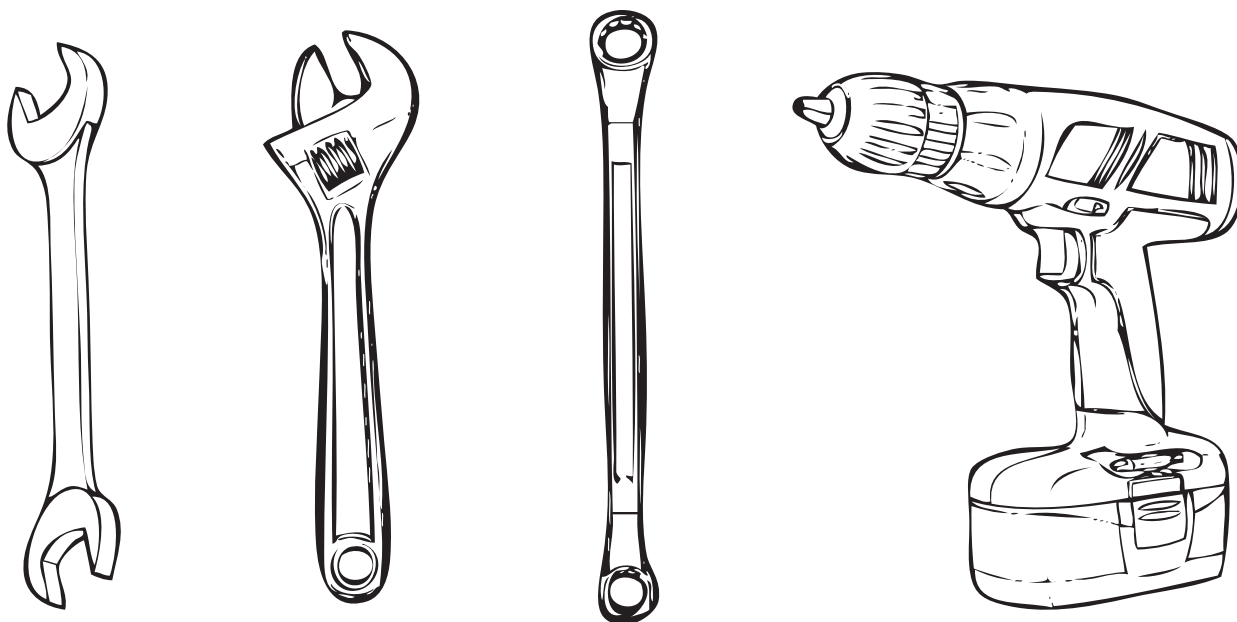
x4 (D-Shackle)

TIMBERS required

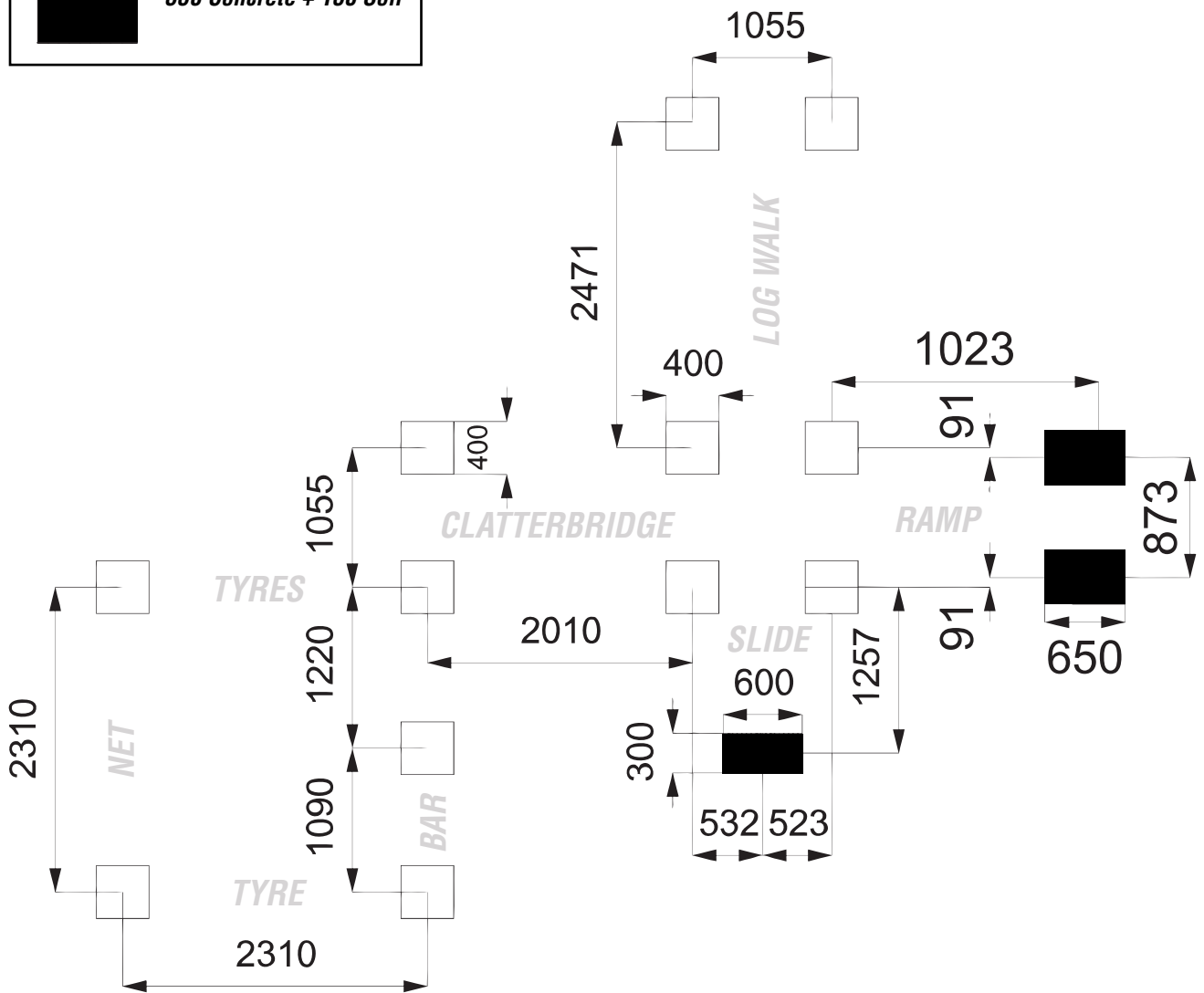
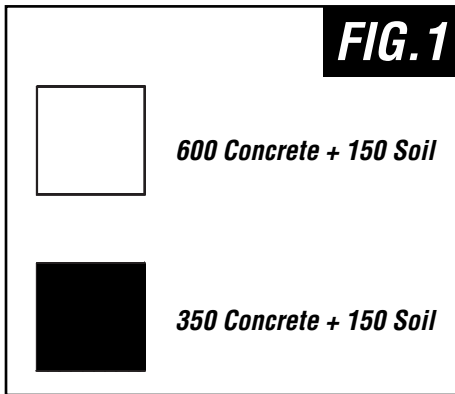
CODE	TYPE	SIZE	QTY
AC101a	90x90	3000	2
AC101b	90x90	3000	2
AC101c	90x90	3000	2
AC101d	90x90	3000	1
AC101e	90x90	3000	1
AC101f	90x90	3000	1
AC101g	90x90	3000	1
AC101h	90x90	3000	1
AC101i	90x90	3000	1
AC101j	90x90	965	1

CODE	TYPE	SIZE	QTY
AC101k	90x90	1145	3
AC101l	90x90	1145	1
AC101m	90x90	1145	1
AC101o	90x90	2100	2
AC101p	90x90	2400	2
AC101q	90x90	2400	1
AC101r	90x90	2400	1
AC101s	120x90	3455	1
AC101t	120x90	3600	1
AC101v	120x90	3600	1

TOOLS required

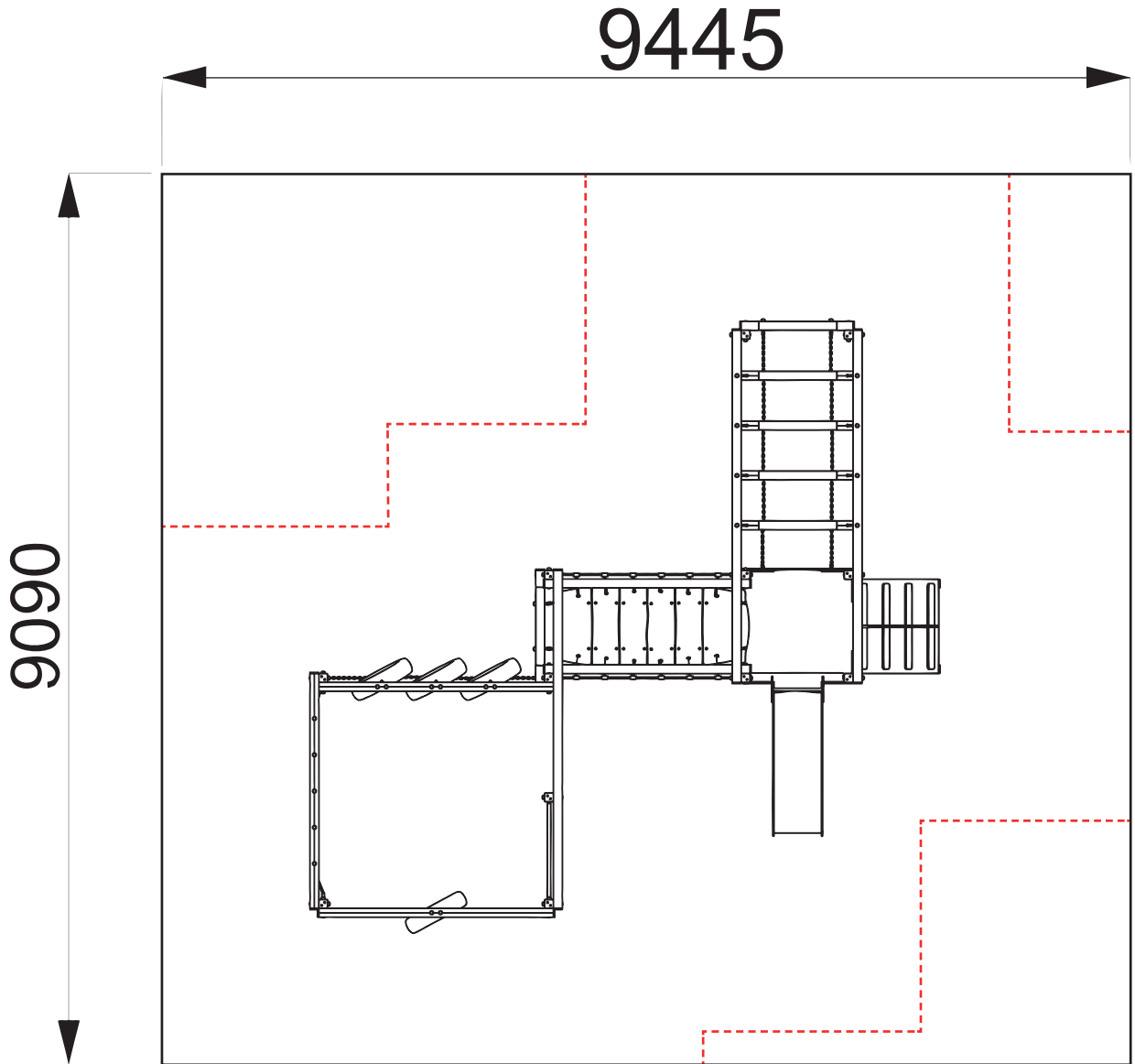


Foundation Details



Surfacing Details

- - - - = MINIMUM SPACE
- = SURFACE AREA

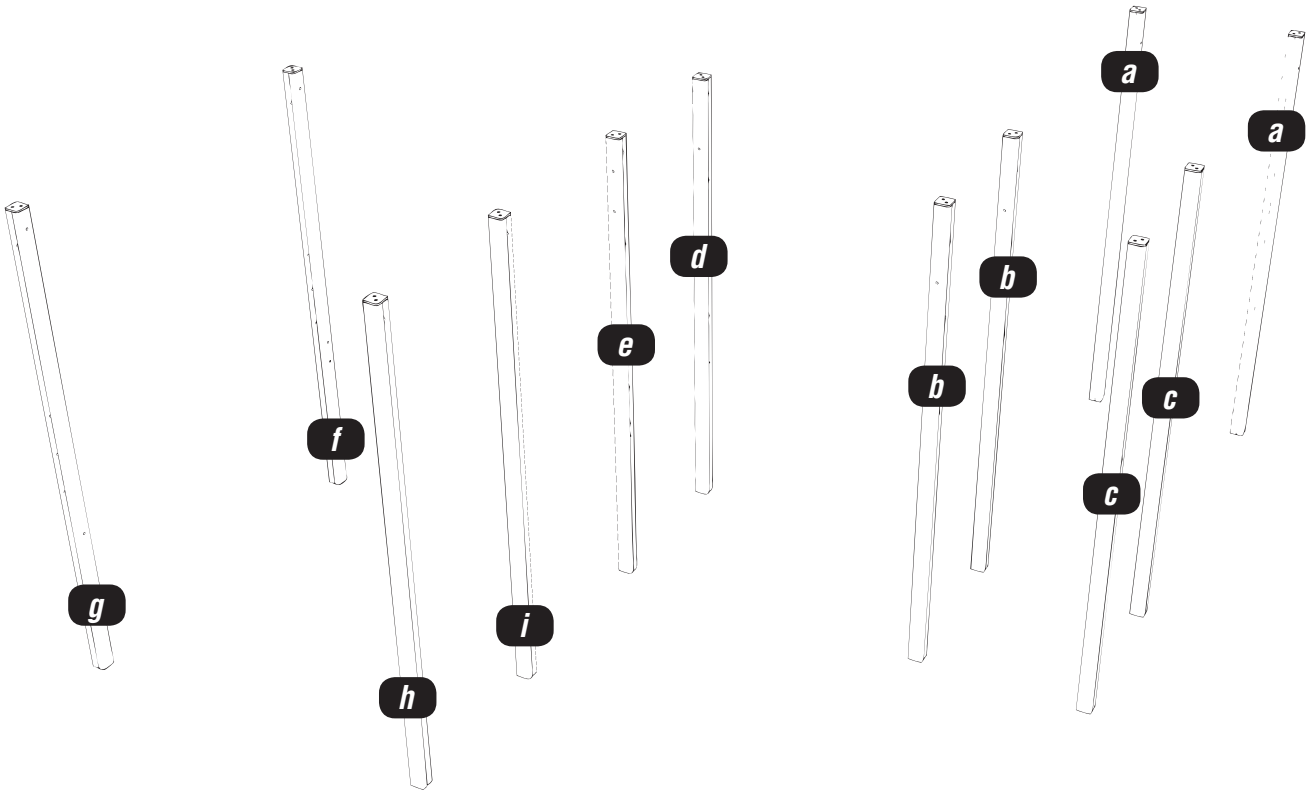


Installation Instructions

1

Install the timbers AC101a/b/c/d/e/f/g/h/i

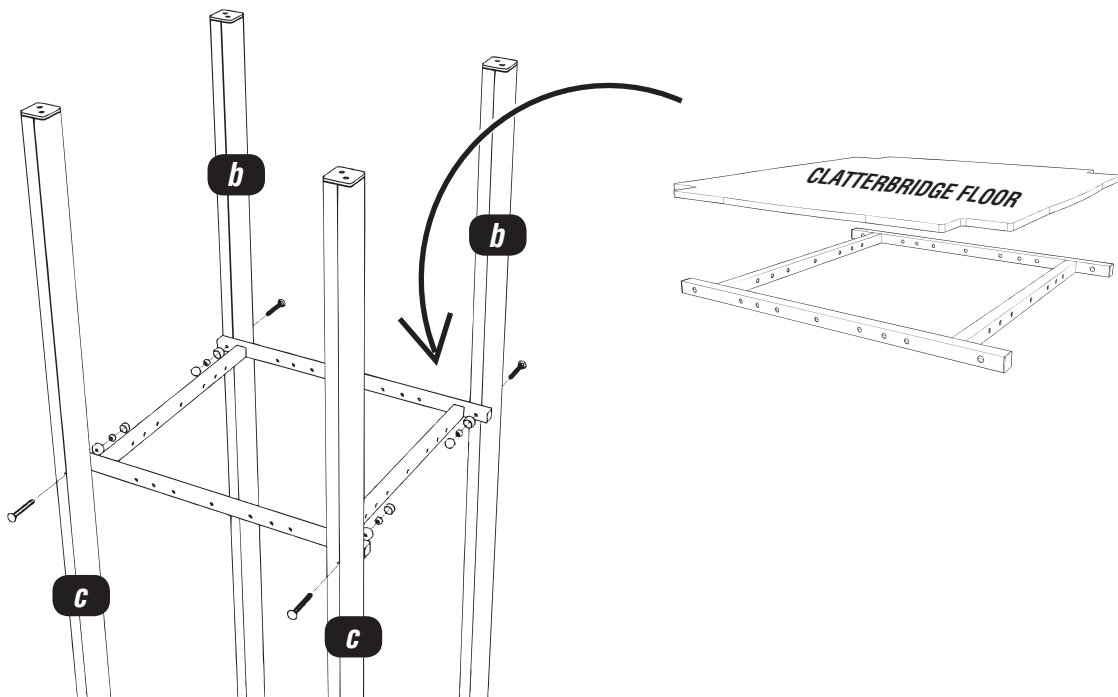
Follow fundtion details



2

Attach the floor to the timbers AC101b/c and place the Hexboard on top

Using 4x @150mm M12 SQUARE CUP HEX BOLTS / 4x NYLOCS / 4x RED CAPS

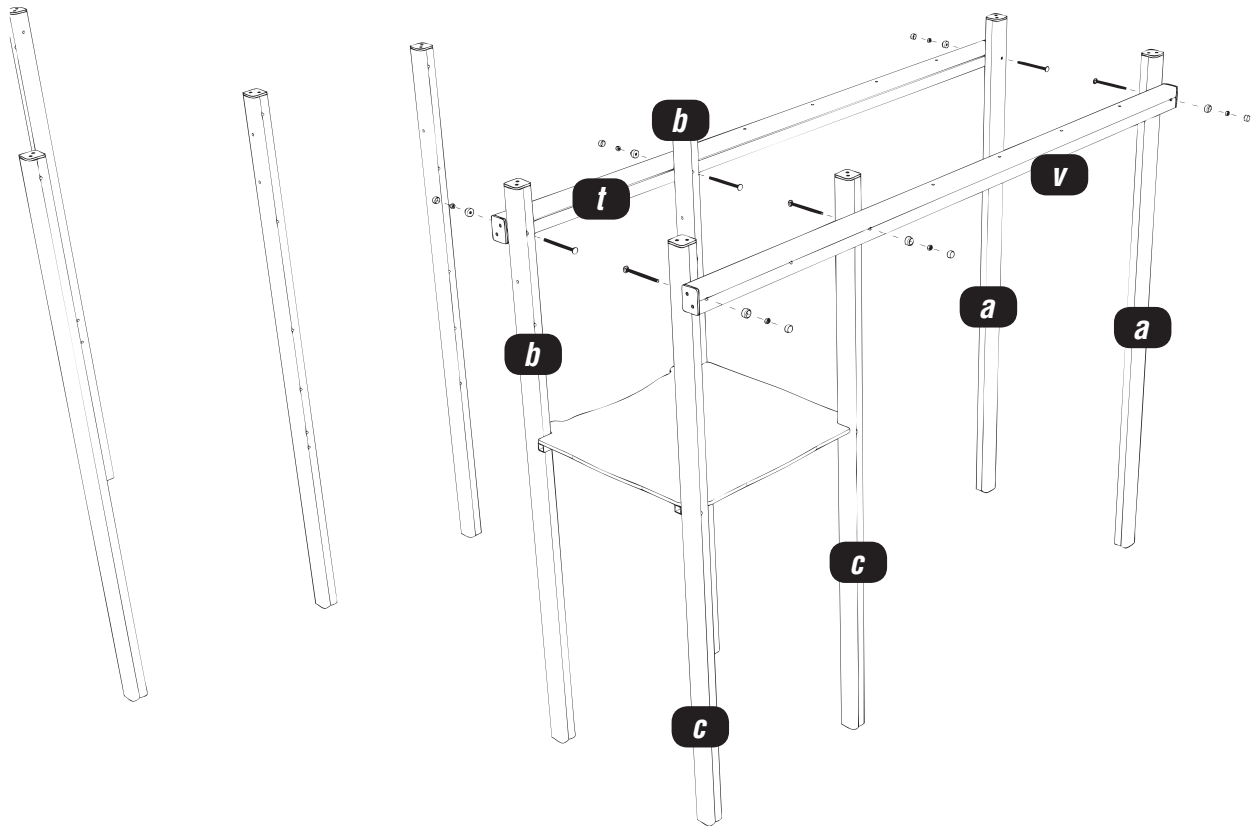


Installation Instructions

3

Attach the TIMBERS AC101t/v to the TIMBERS AC101a/b/c

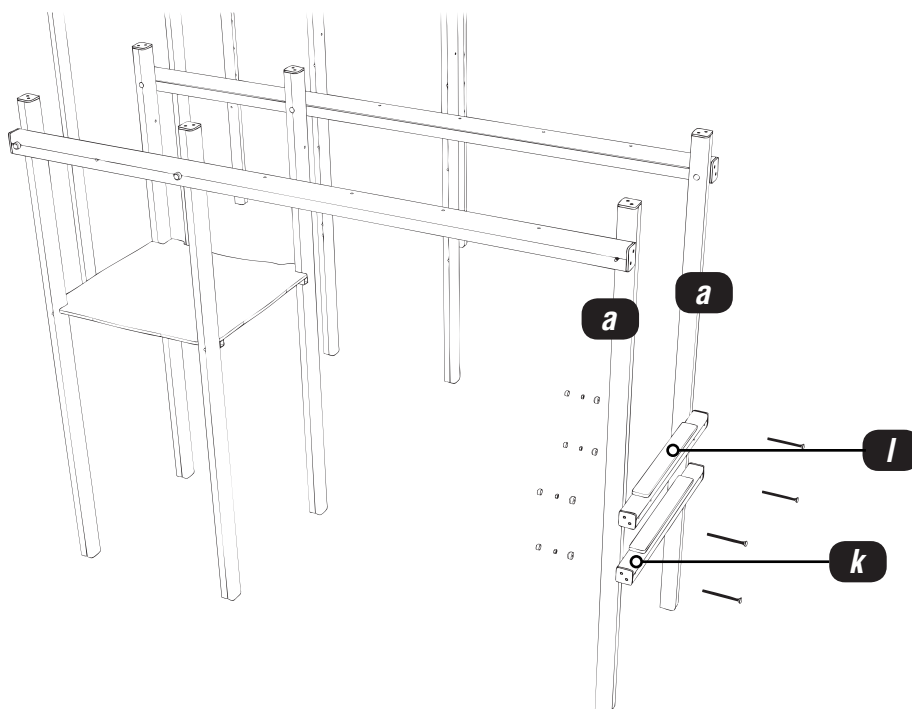
Using 6x @200mm M12 SQUARE CUP HEX BOLTS / 6x NYLOCS / 6x RED CAPS



4

Attach the timbers AC101l/k to the TIMBERS AC101a

Using 4x @200mm M12 SQUARE CUP HEX BOLTS / 4x NYLOCS / 4x RED CAPS

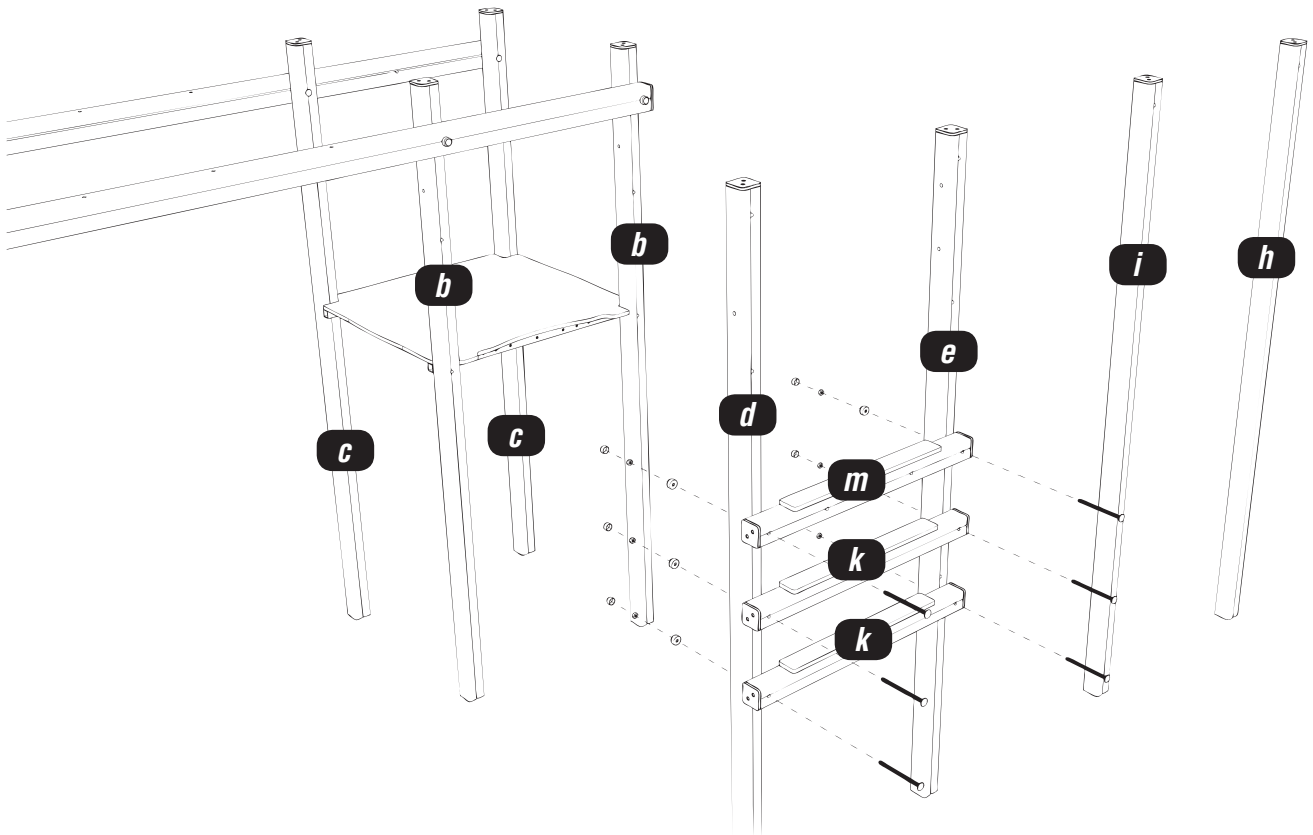


Installation Instructions

5

Attach the TIMBERS AC101k/m to the TIMBERS AC101d/e

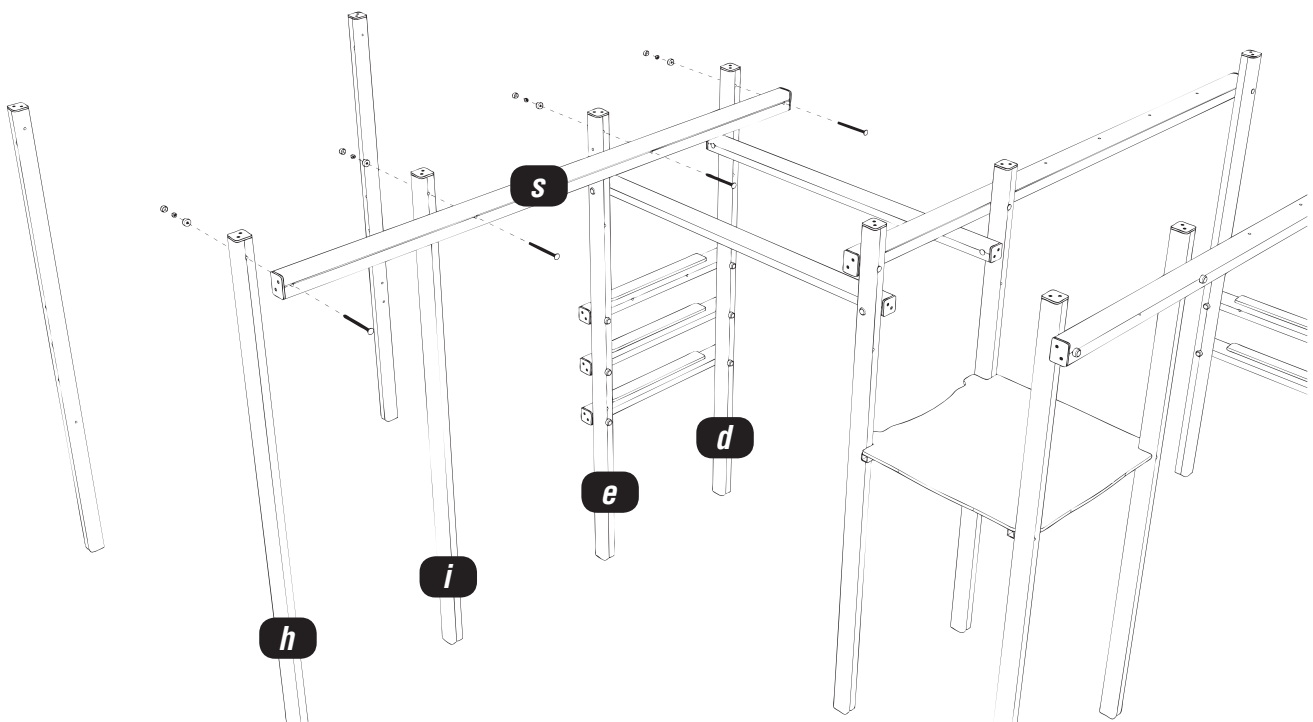
Using 6x @200mm M12 SQUARE CUP HEX BOLTS / 6x NYLOCS / 6x RED CAPS



6

Attach the TIMBER AC101s to the TIMBERS AC101d/e/i/h

Using 4x @200mm M12 SQUARE CUP HEX BOLTS / 4x NYLOCS / 4x RED CAPS

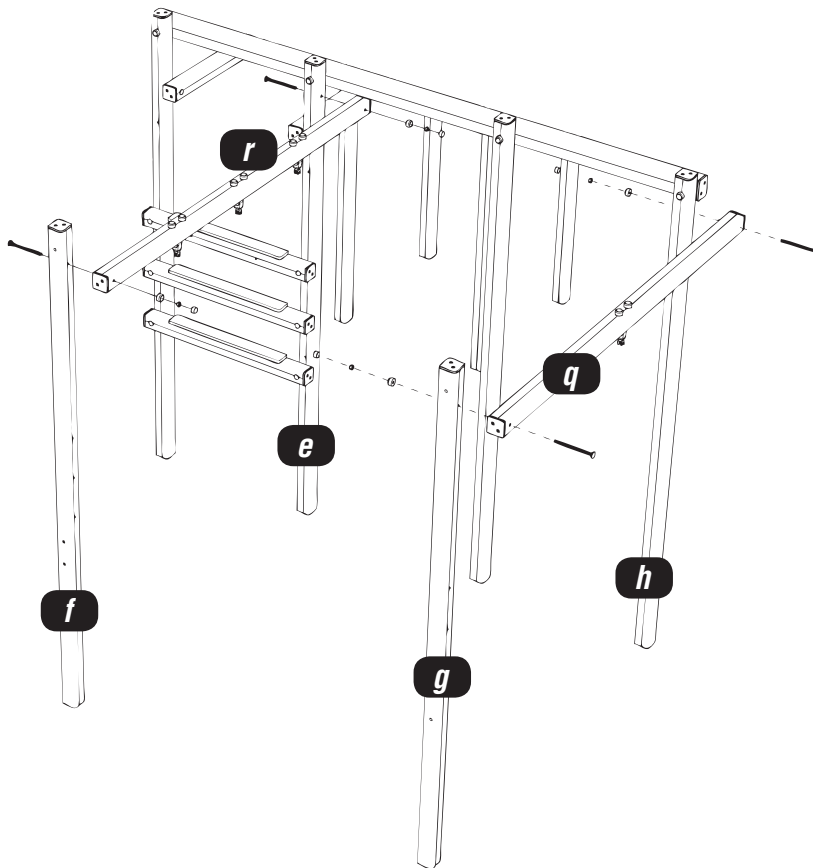


Installation Instructions

7

Attach the TIMBERS AC101q/r to the TIMBERS AC101e/f/g/h

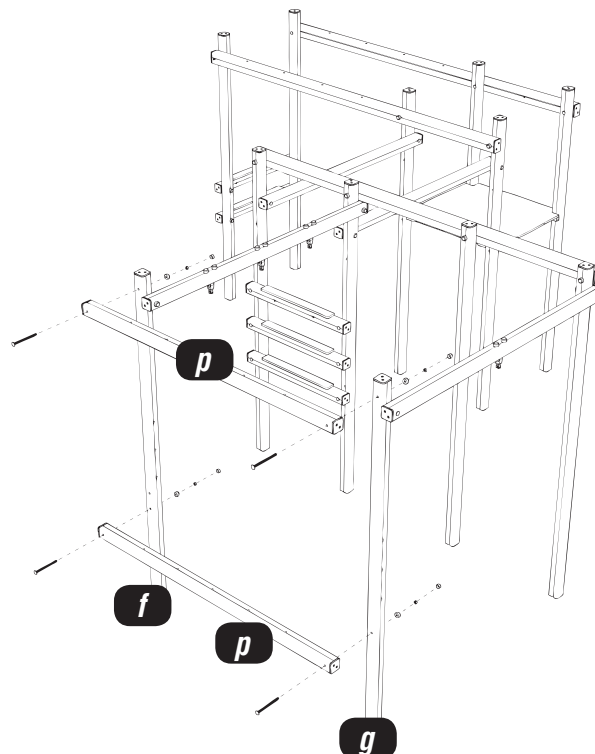
Using 4x @200mm M12 SQUARE CUP HEX BOLTS / 4x NYLOCS / 4x RED CAPS



8

Attach the TIMBER AC101p to the TIMBERS AC101f/g

Using 4x @200mm M12 SQUARE CUP HEX BOLTS / 4x NYLOCS / 4x RED CAPS

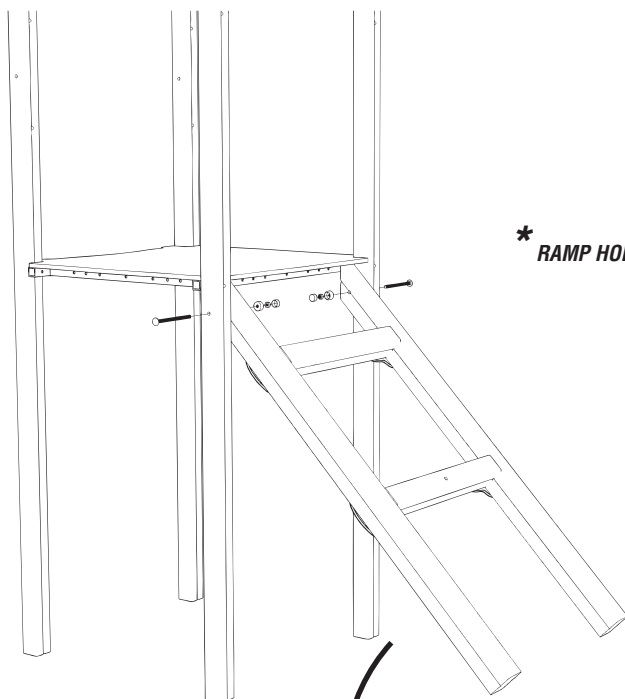


Installation Instructions

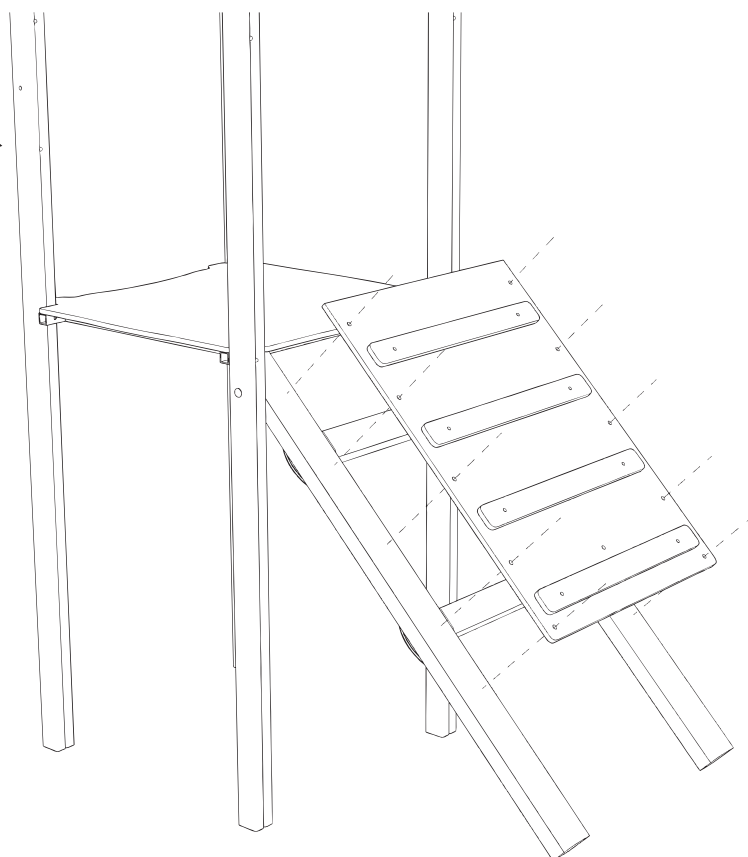
9

Attach the RAMP to the AC101c

Using 2x @200mm M12 SQUARE CUP HEX BOLTS / 2x NYLOCS / 2x RED CAPS / 10x FM80 Brass Screws



* RAMP HOLE - 148mm from the top of the floor
- 850mm from the ground
- 1412mm from the top

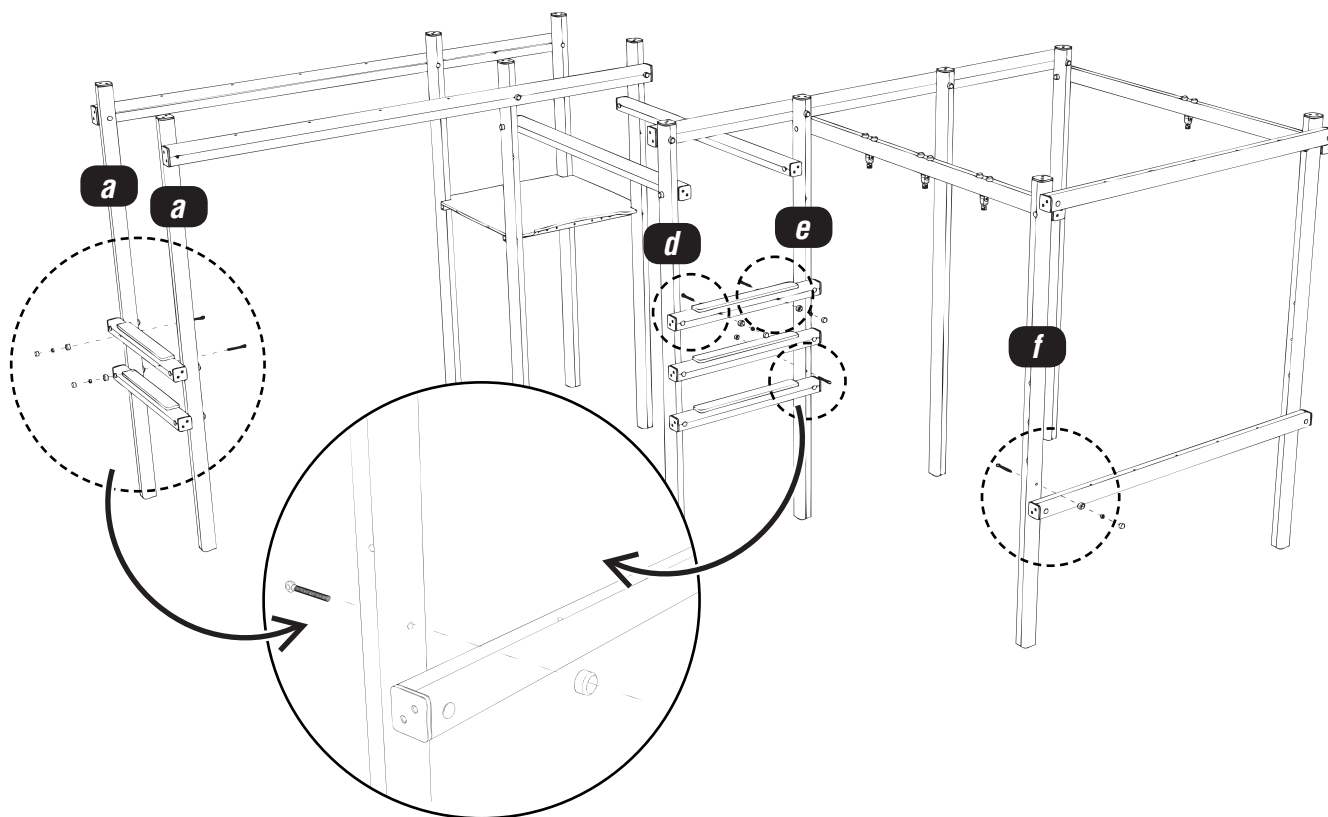


Installation Instructions

10

Attach the EYEBOLTS to the TIMBERS AC101a/d/e/f

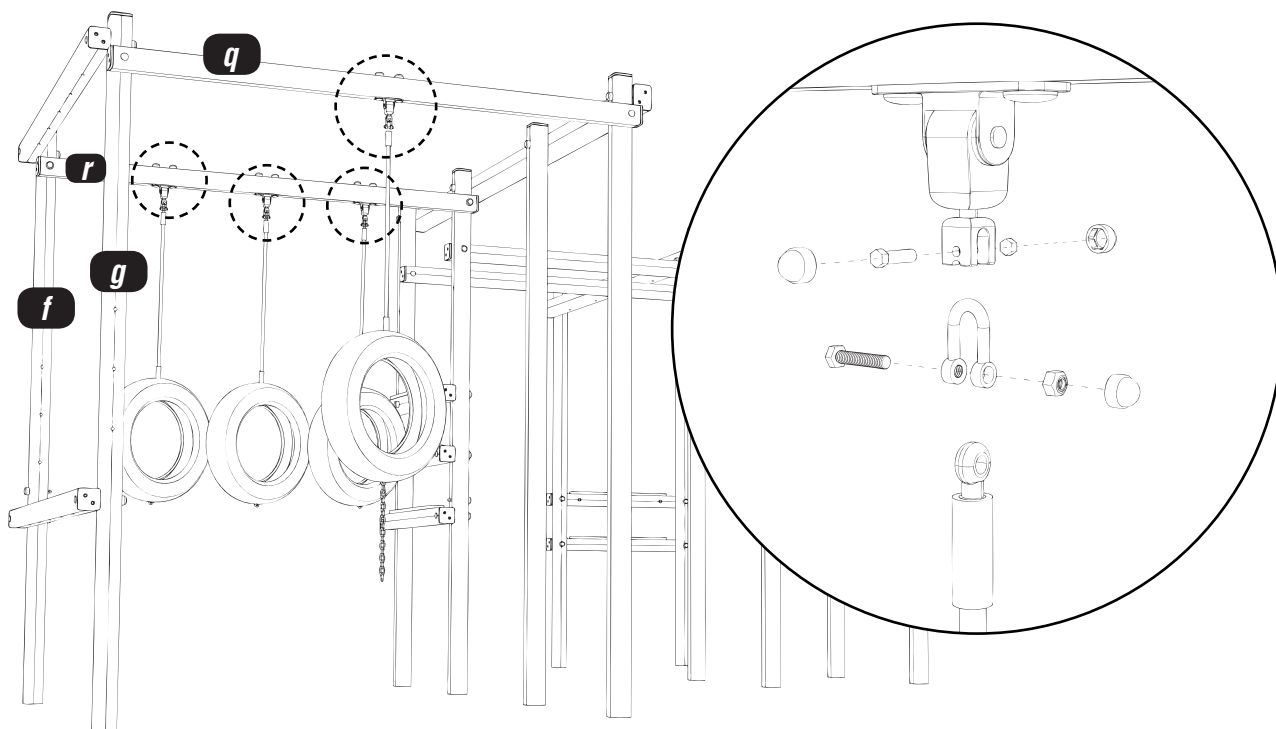
Using 6x @130mm M12 EYEBOLT / 6x NYLOCS / 6x RED CAPS



11

Attach the TYRES to the SWING HANGERS

Using 4x D-SHACKLE / 12x M8 Plastic covers

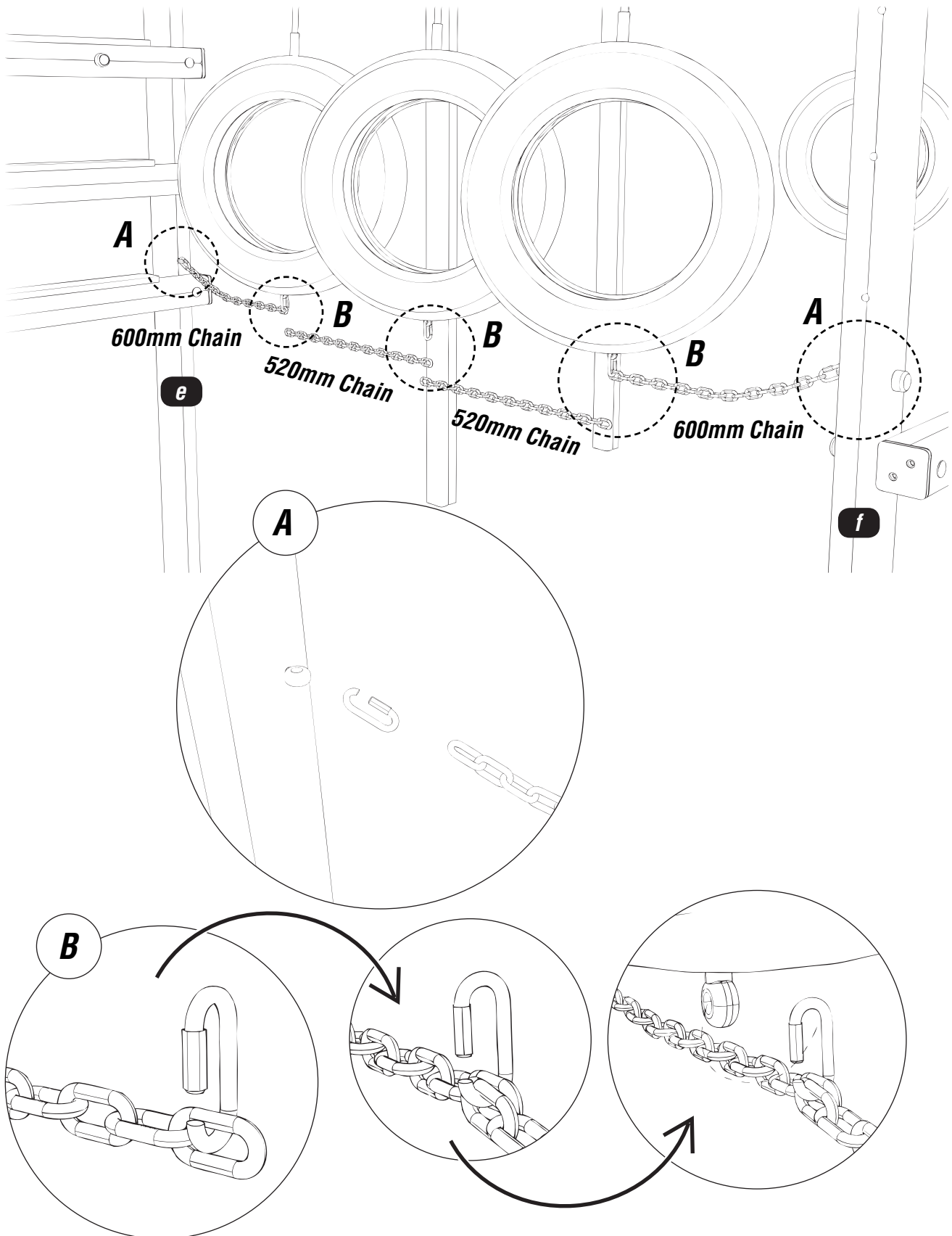


Installation Instructions

12

Attach the CHAIN to the TYRES and EYEBOLTS

Using 5x QUICKLINK

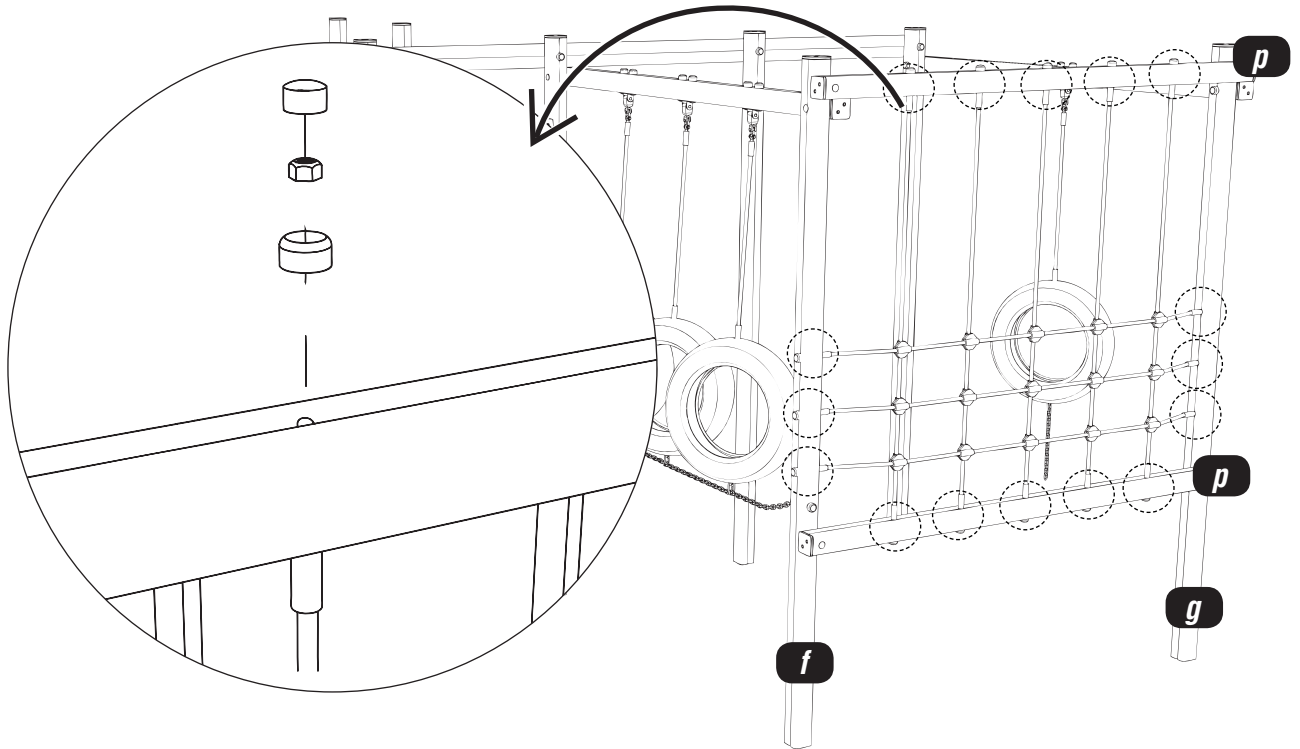


Installation Instructions

13

Attach the NET to the TIMBERS AC101f/g/p

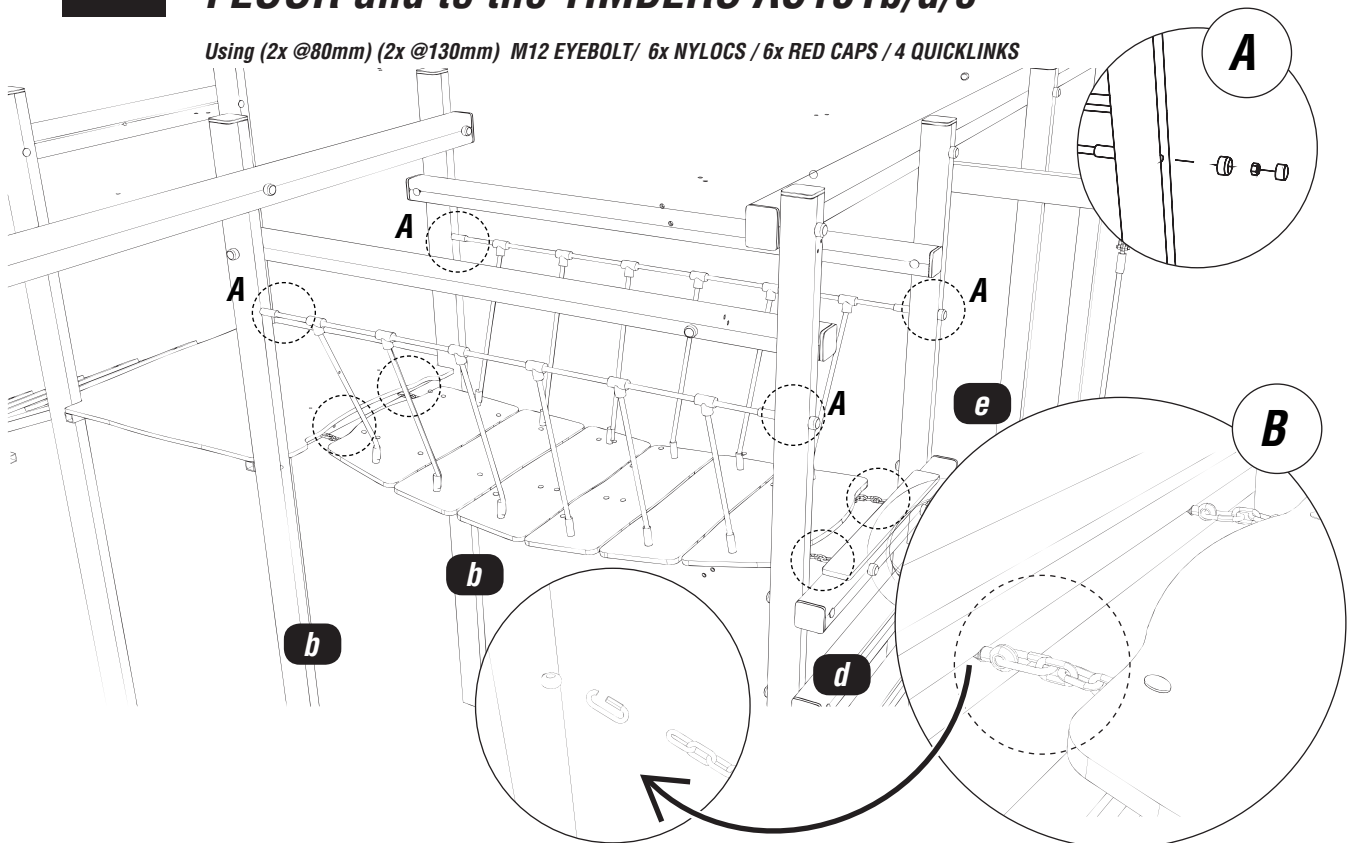
Using 16x NYLOCS / 16x RED CAPS



14

Attach the CLATTERBRIDGE to the EYEBOLTS, METAL FLOOR and to the TIMBERS AC101b/d/e

Using (2x @80mm) (2x @130mm) M12 EYEBOLT/ 6x NYLOCS / 6x RED CAPS / 4 QUICKLINKS

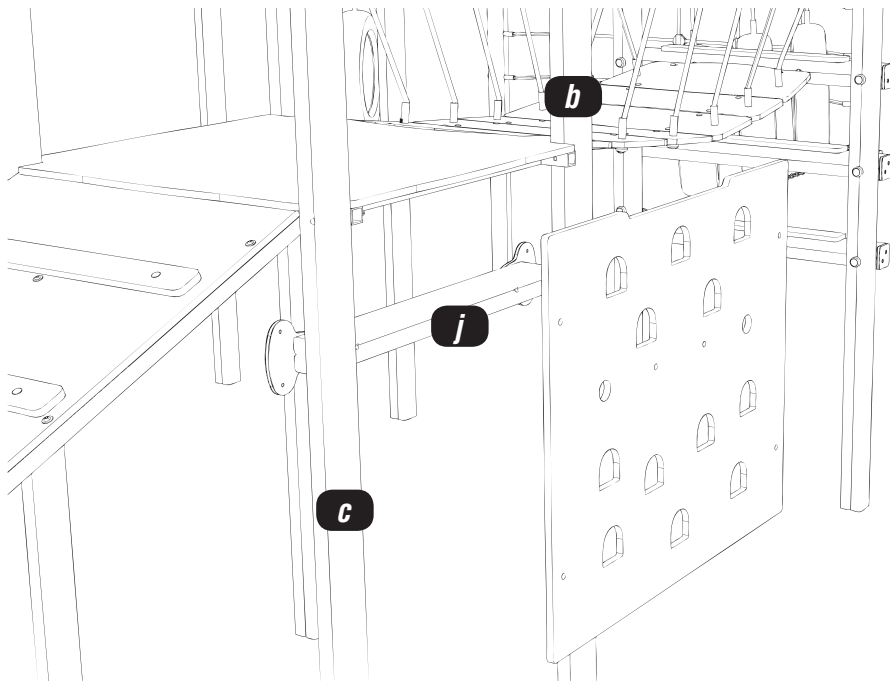


Installation Instructions

15

Attach the TIMBERS AC101j and 1m CLIMBING HEXBOARD to AC101b/c

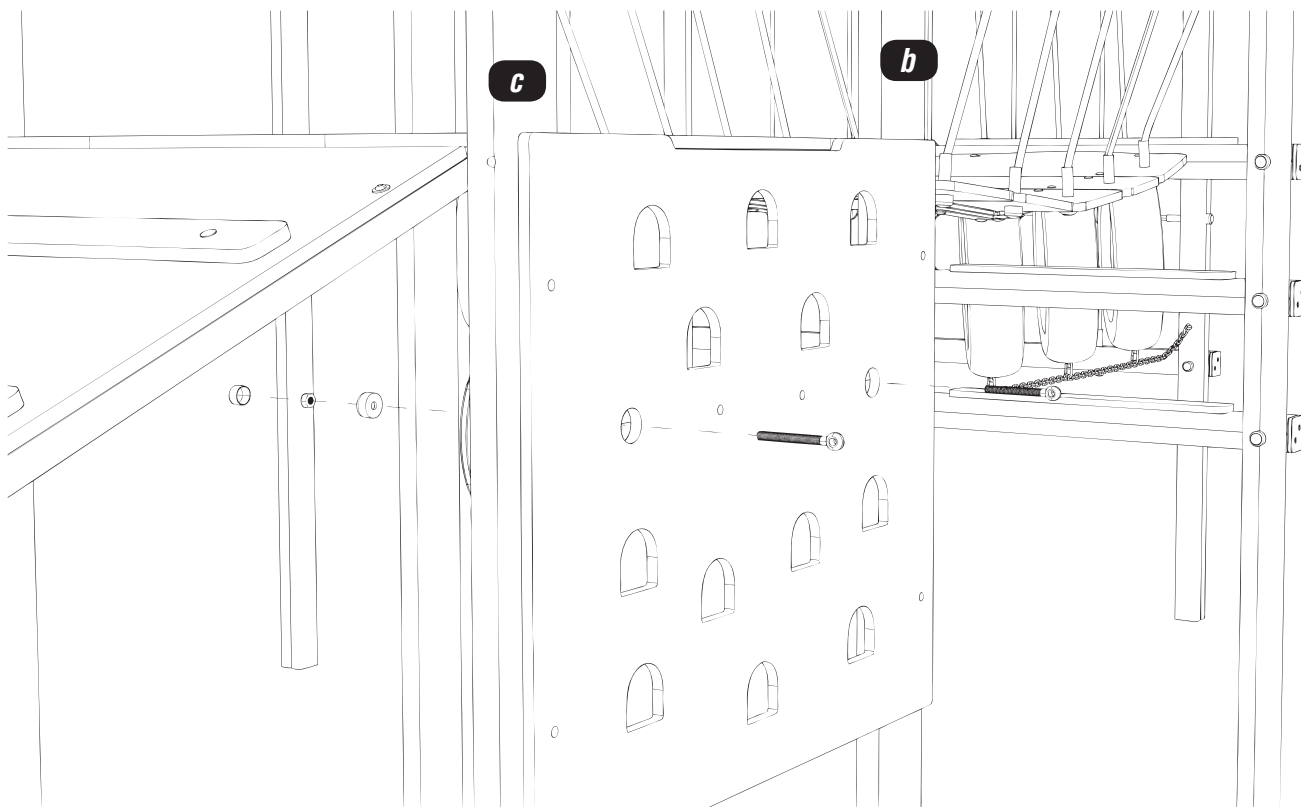
Using 14x FM80 'Brass Screws'



16

Attach the EYEBOLTS to AC101j and HEXBOARD

Using 2x @130mm M12 EYEBOLT / 2x NYLOCS / 2x RED CAPS

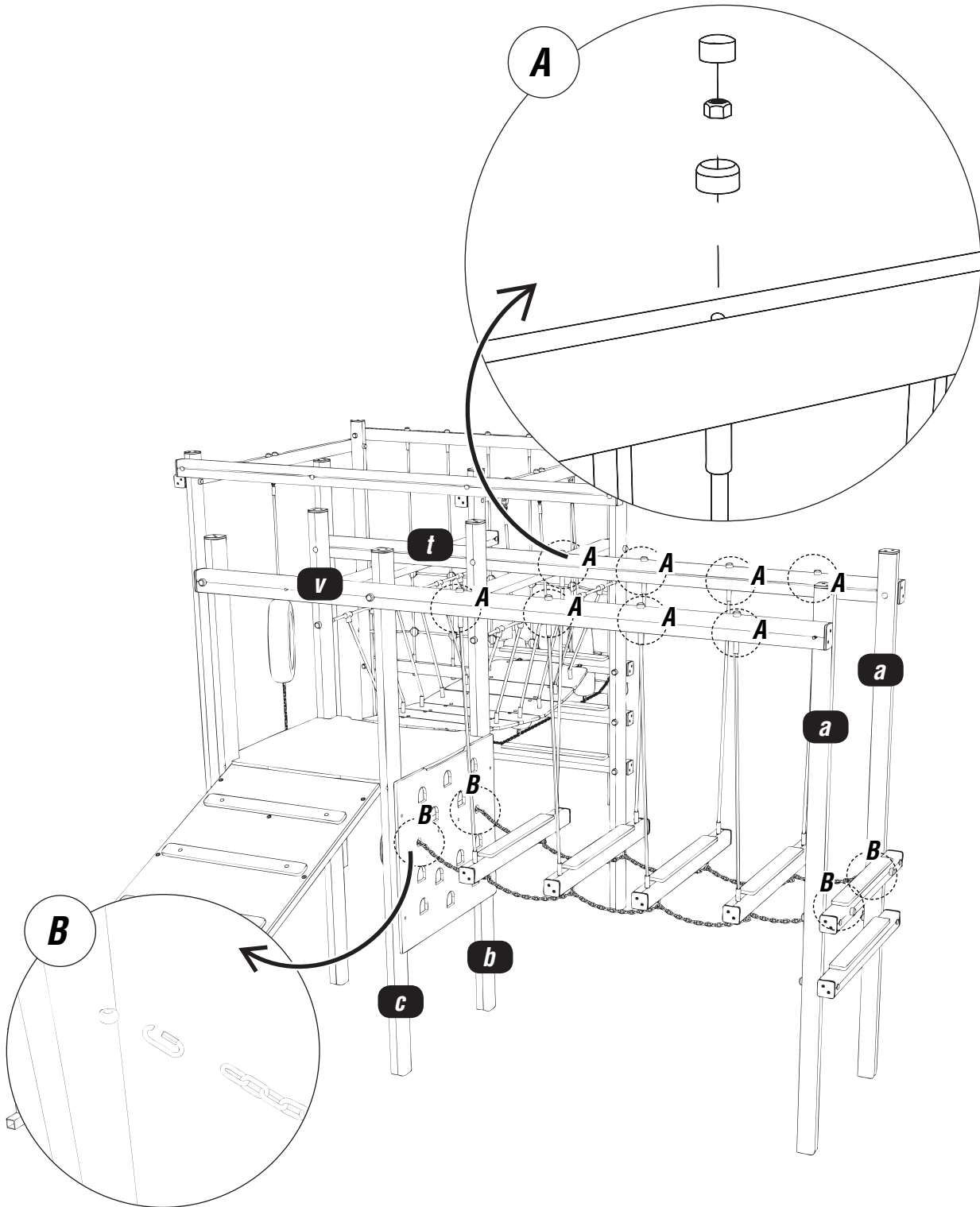


Installation Instructions

17

Attach the LOG WALK to the EYEBOLTS and AC101t/v

Using 4x QUICKLINK / 8x NYLOCS / 8x RED CAPS

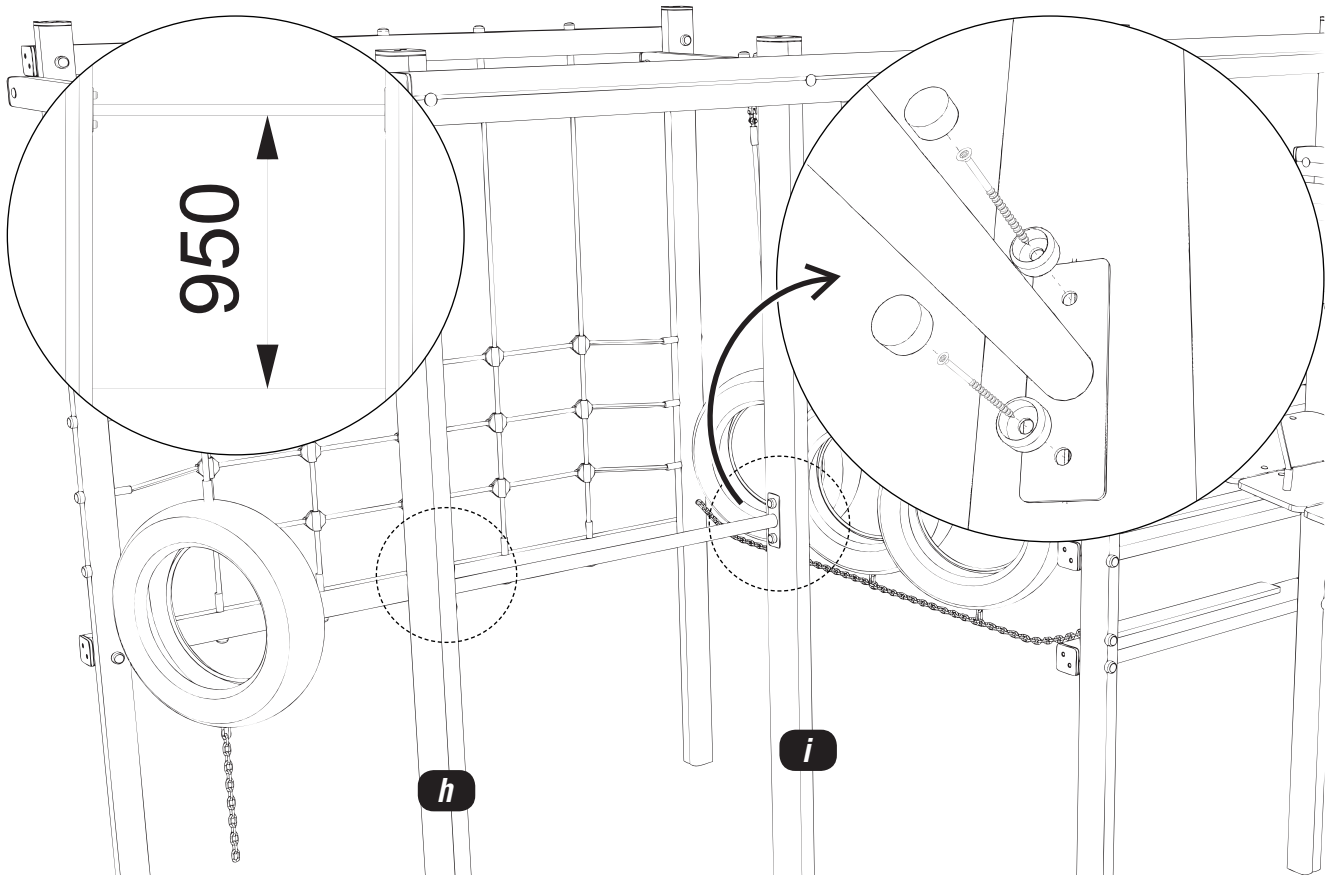


Installation Instructions

18

Attach STANDARD BAR to the TIMBERS AC101h/i

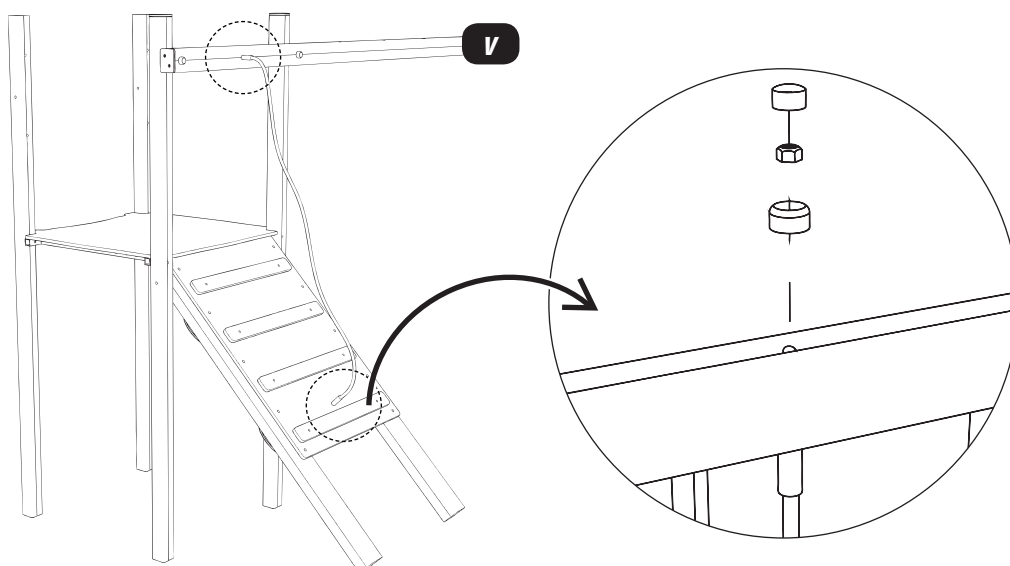
Using 4x FM80 'Brass Screws' / 4x Small end caps



19

Attach the RAMP ROPE to the ramp and AC101v

Using 2x NYLOCS / 2x RED CAPS

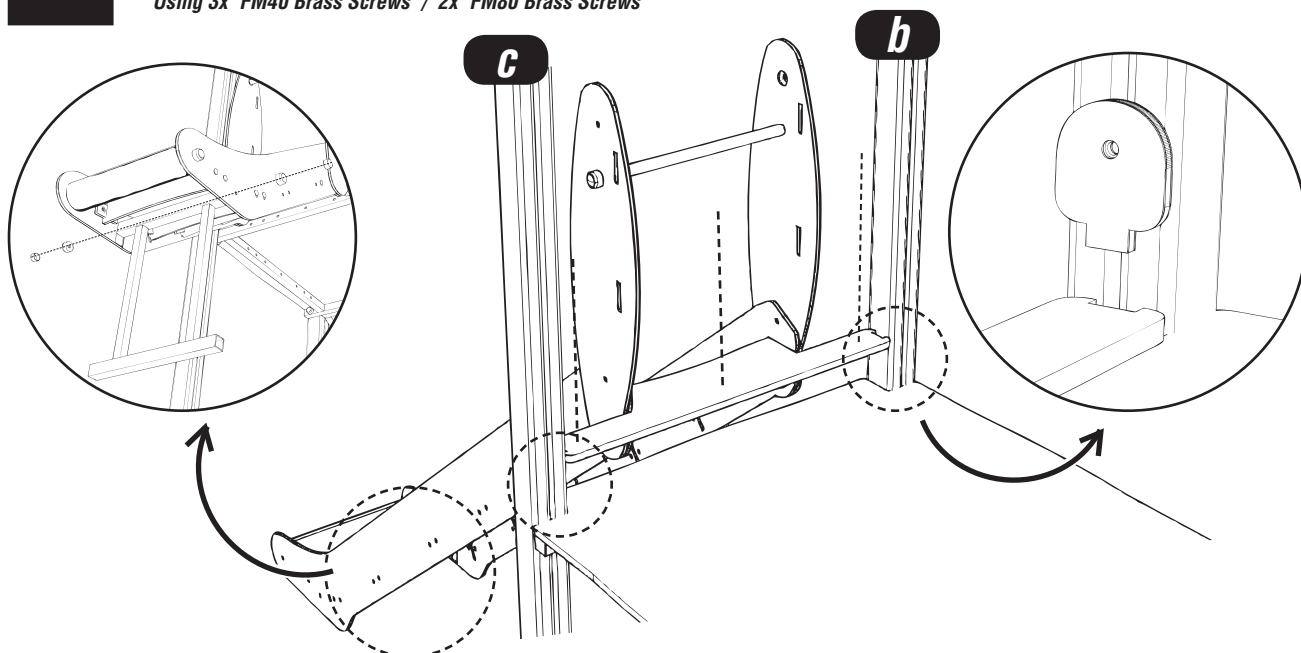


Installation Instructions

20

Attach the SLIDE to the HEXBOARD FLOOR

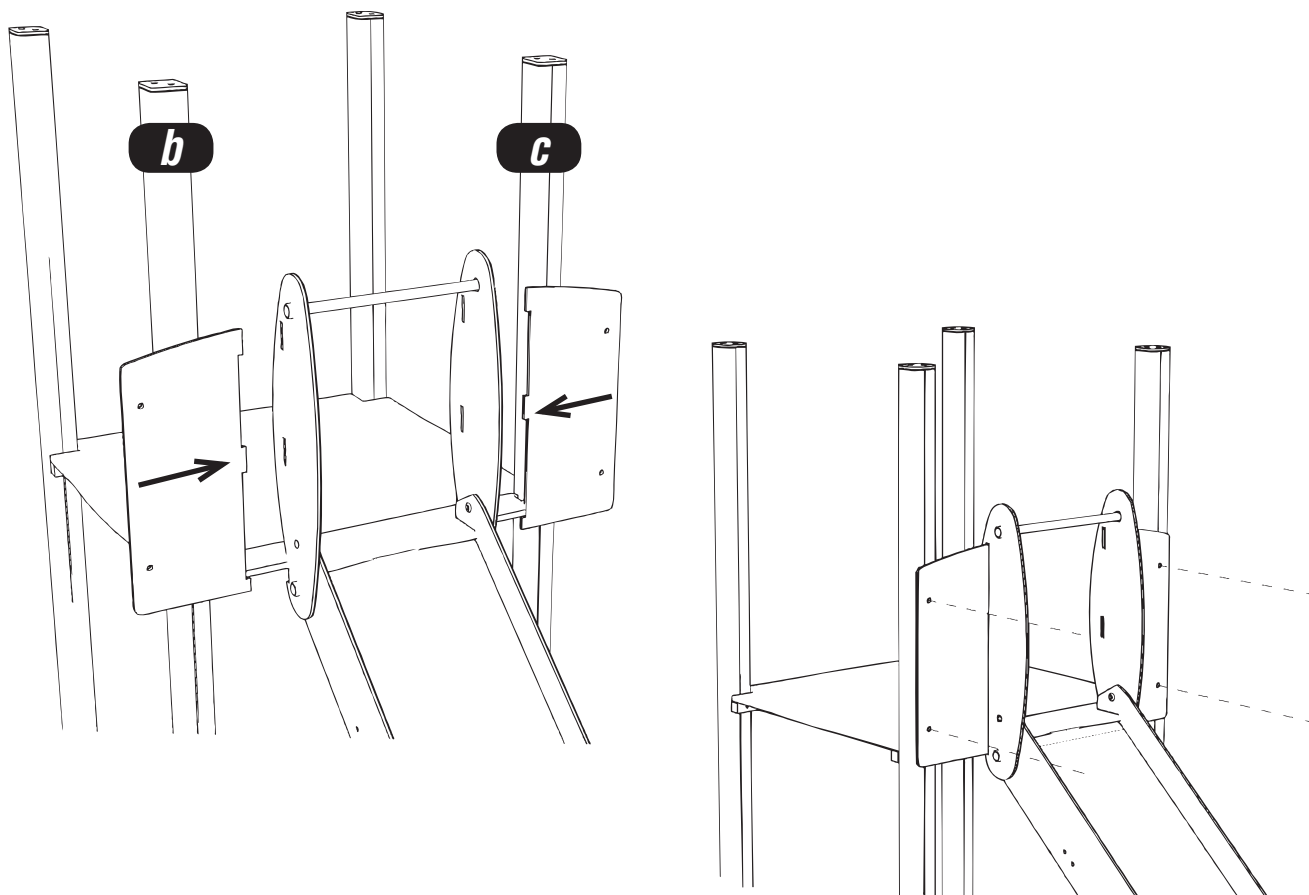
Using 3x 'FM40 Brass Screws' / 2x 'FM80 Brass Screws'



21

Insert the SLIDE SIDES to the SLIDE and to the timbers AC101b/c

4x 'FM80 Brass Screws'

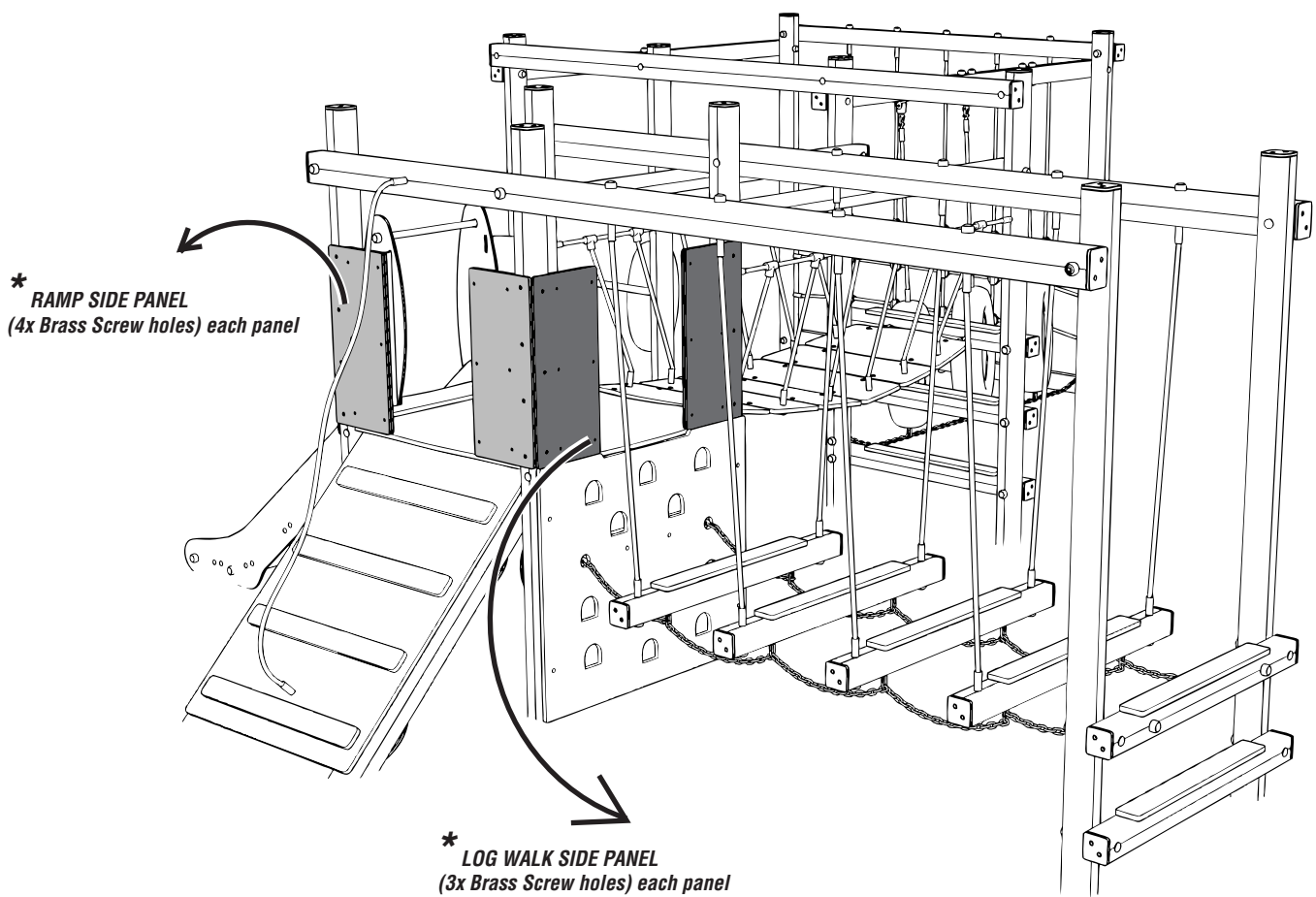


Installation Instructions

22

Attach the RAMP and LOG WALK SIDE PANELS

Using 14x 'FM80 Brass Screws'



Additional Dimensions

