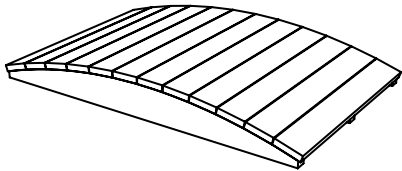
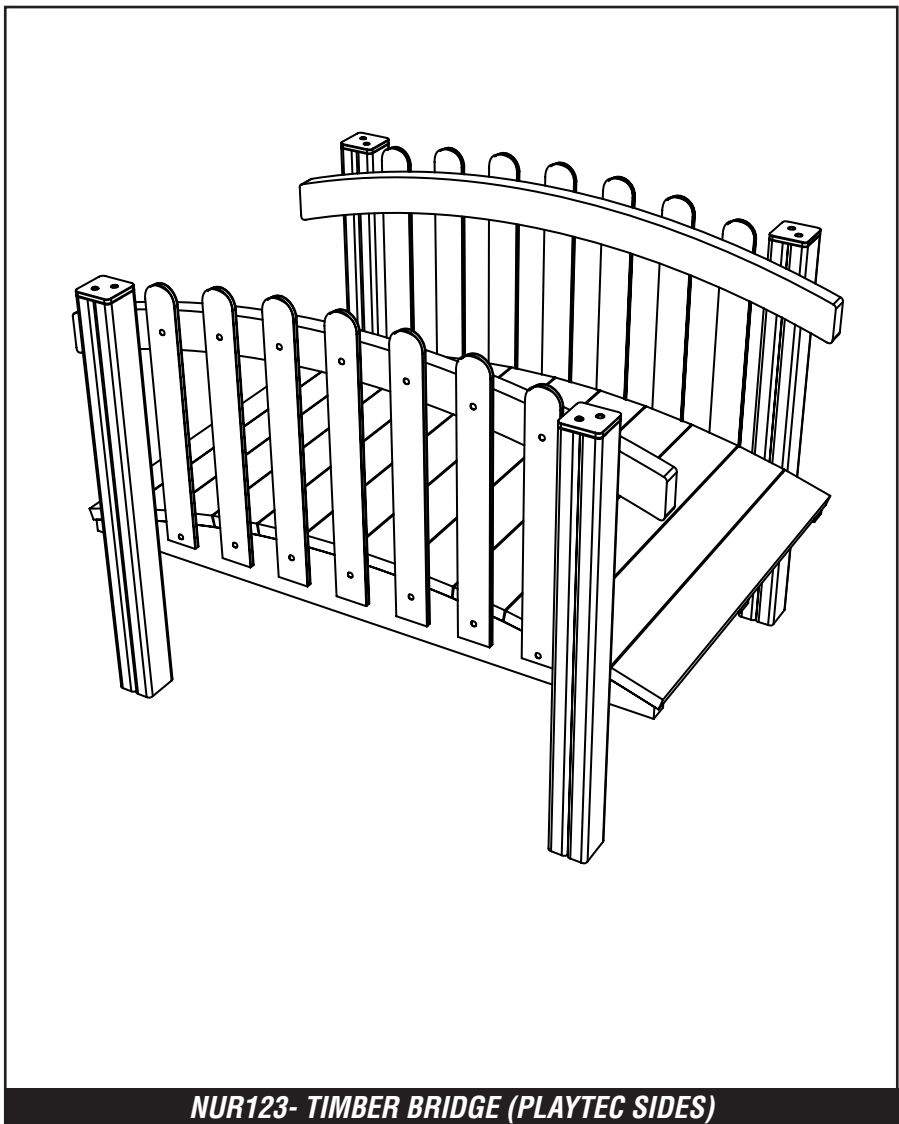
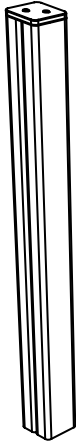


NUR123 - TIMBER BRIDGE (PLAYTEC SIDES)

Installation Instructions

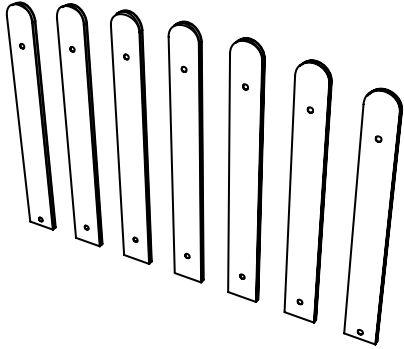


BRIDGE- ASSEMBLY



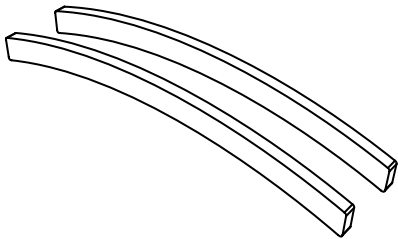
x4

NUR123-A



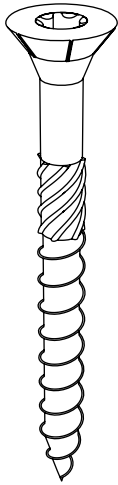
(SETS OF 7) x2

PLAYTEC PALES SET



x2

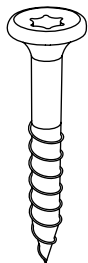
NUR123-B



x8

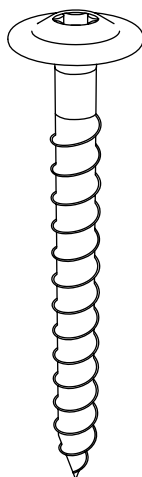
97.M8X80CSK

PARTS REQUIRED



x28

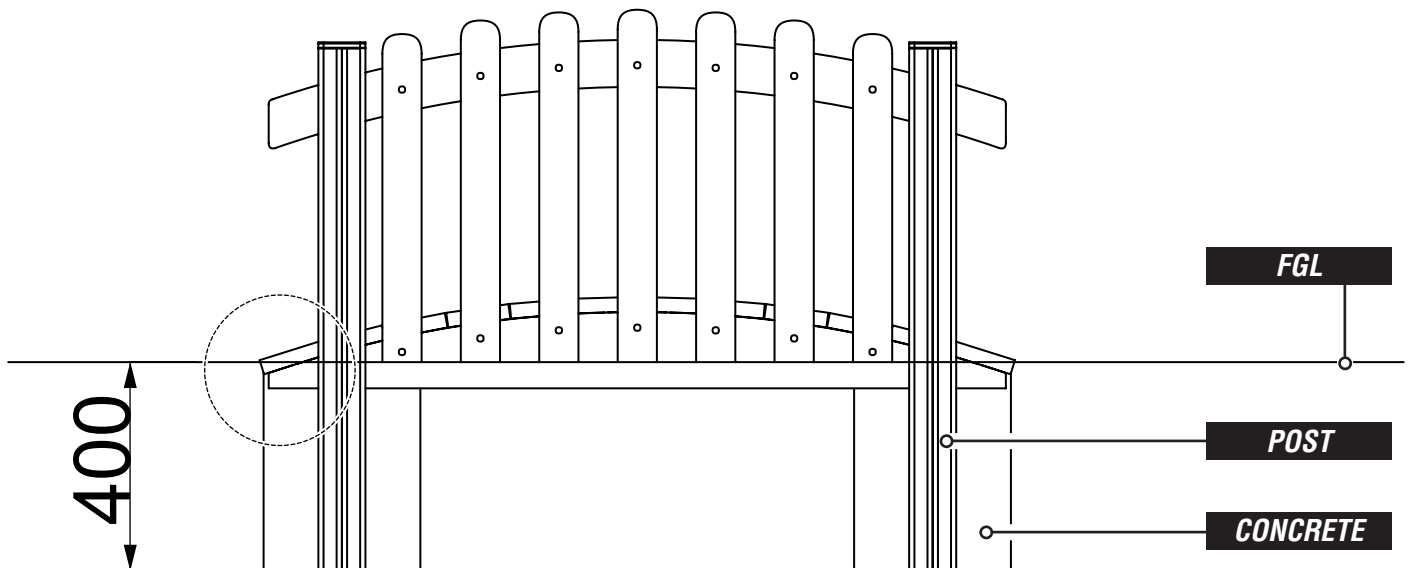
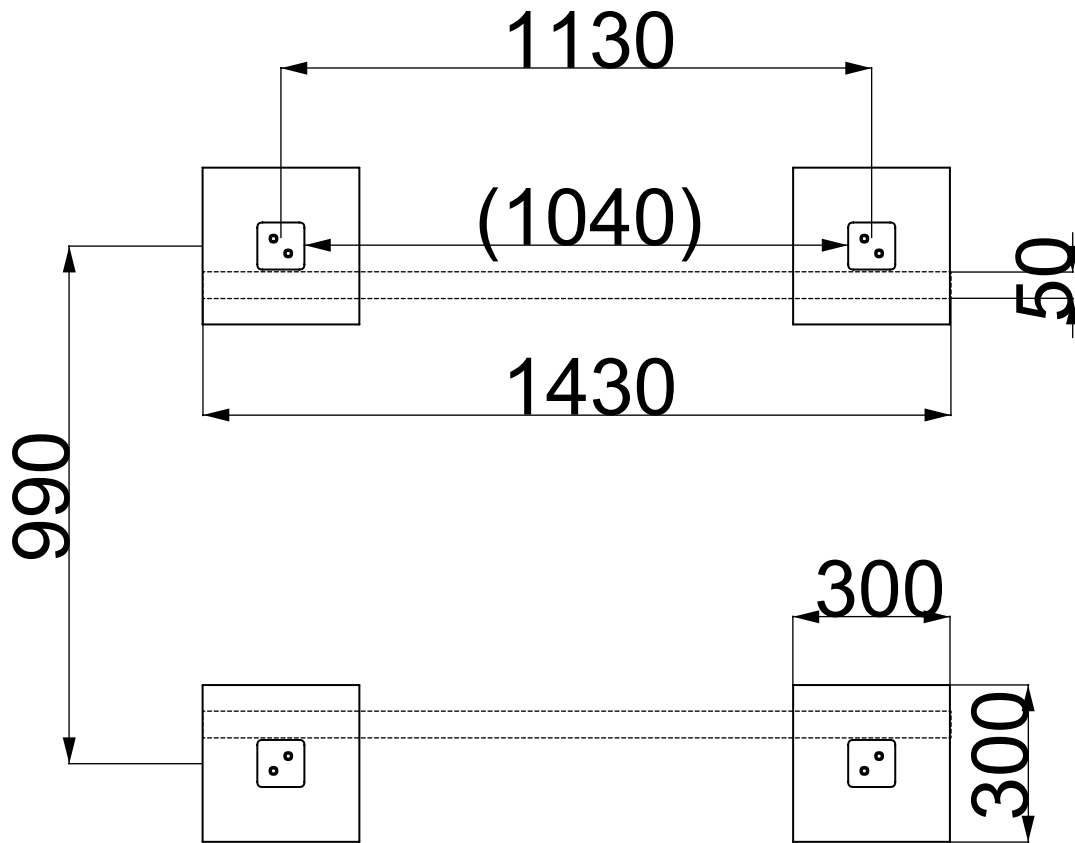
97.M6X40CSK



x8

97.M8X80FH

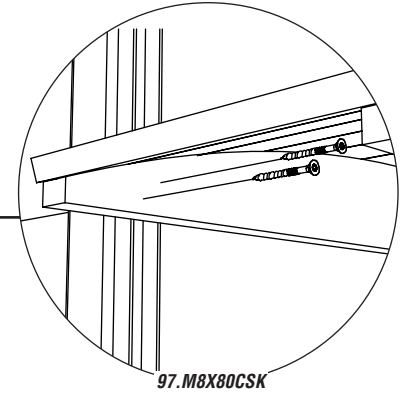
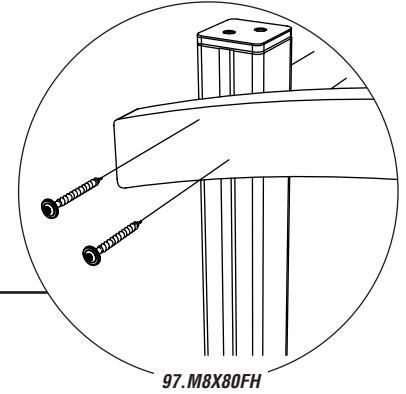
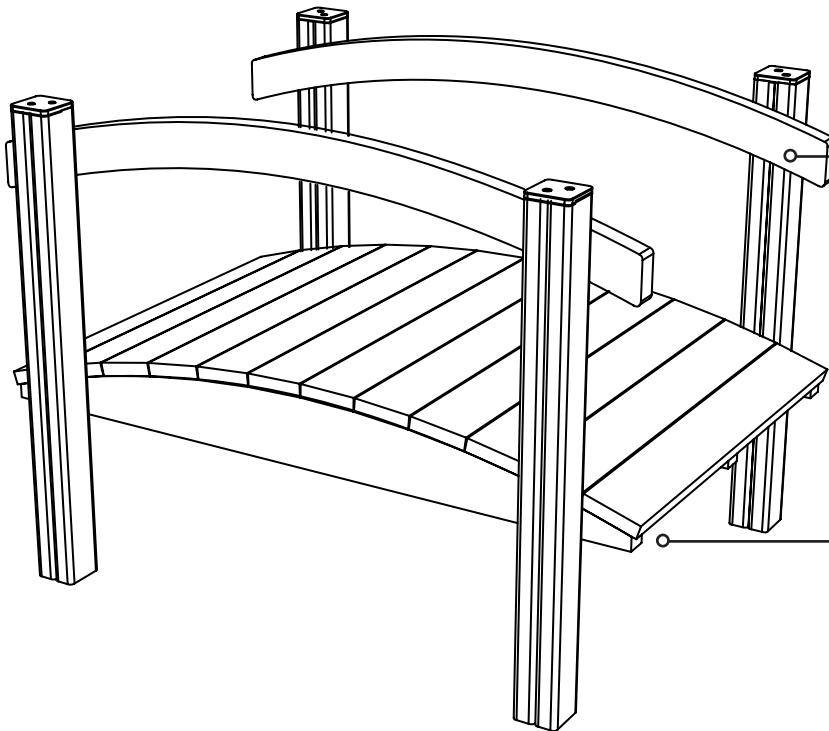
FOUNDATIONS



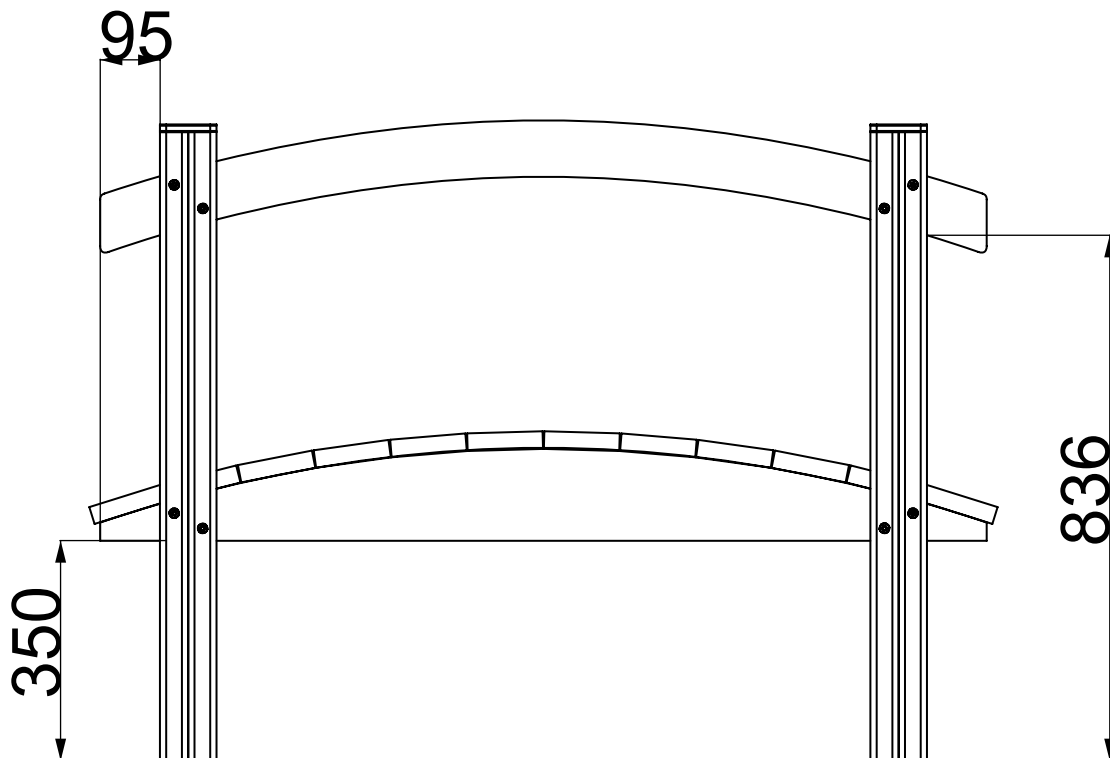
1430MM X 50MM TRENCH WILL BE REQUIRED AS THE ASSEMBLY SITS BELOW GROUND LEVEL - DASHED LINE ABOVE

INSTALLATION INSTRUCTIONS

1 ATTACH A & B TIMBERS TO THE BRIDGE ASSEMBLY
USING - 97.M8X80CSK - QUANTITY X 8 / 97.M8X80FH - QUANTITY X 8

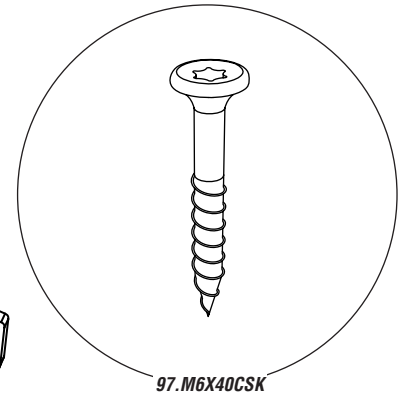
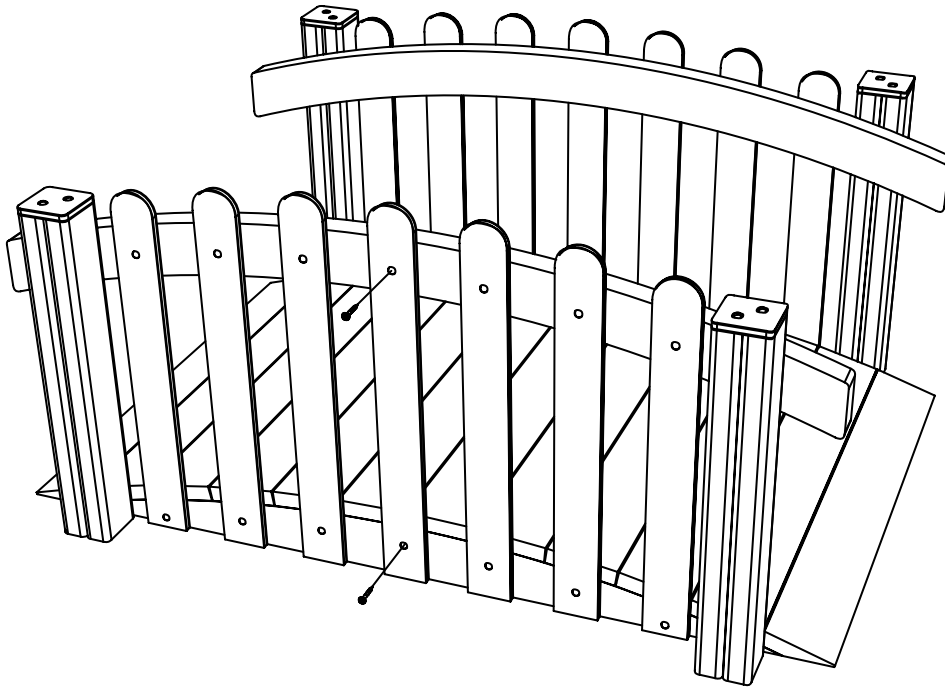


2 ENSURE A & B TIMBERS ARE ATTACHED AS SHOWN BELOW
USING - FOUNDATION DETAILS



INSTALLATION INSTRUCTIONS

3 ATTACH PLAYTEC PALES TO THE ASSEMBLY USING - 97.M6X40CSK



4 ENSURE DISTANCES ARE AS SHOWN BELOW ATTACH CENTRE PALE FIRST & SPACE AS SHOWN

