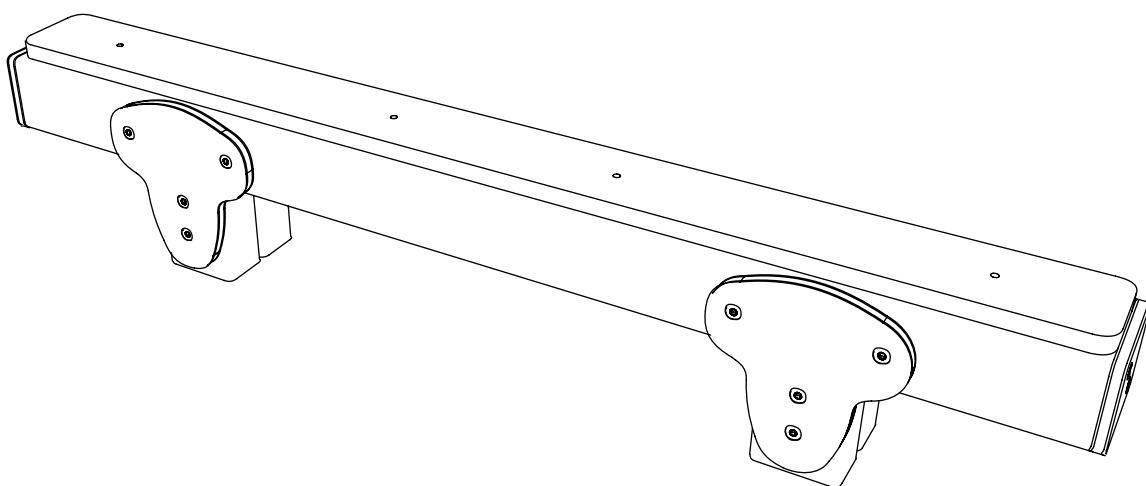


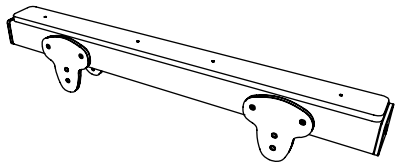
NUR121 - BALANCE BEAM

Installation Instructions

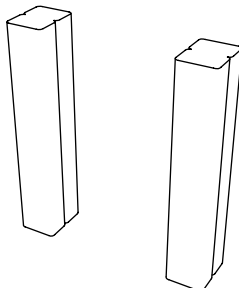
**creative
play**



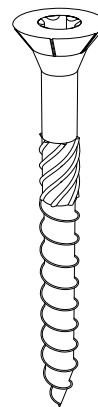
PARTS REQUIRED



121A ASSEMBLY

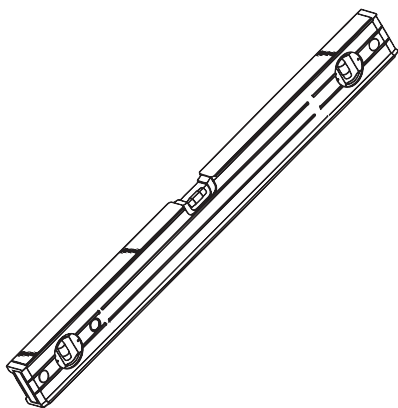


121B [X2]

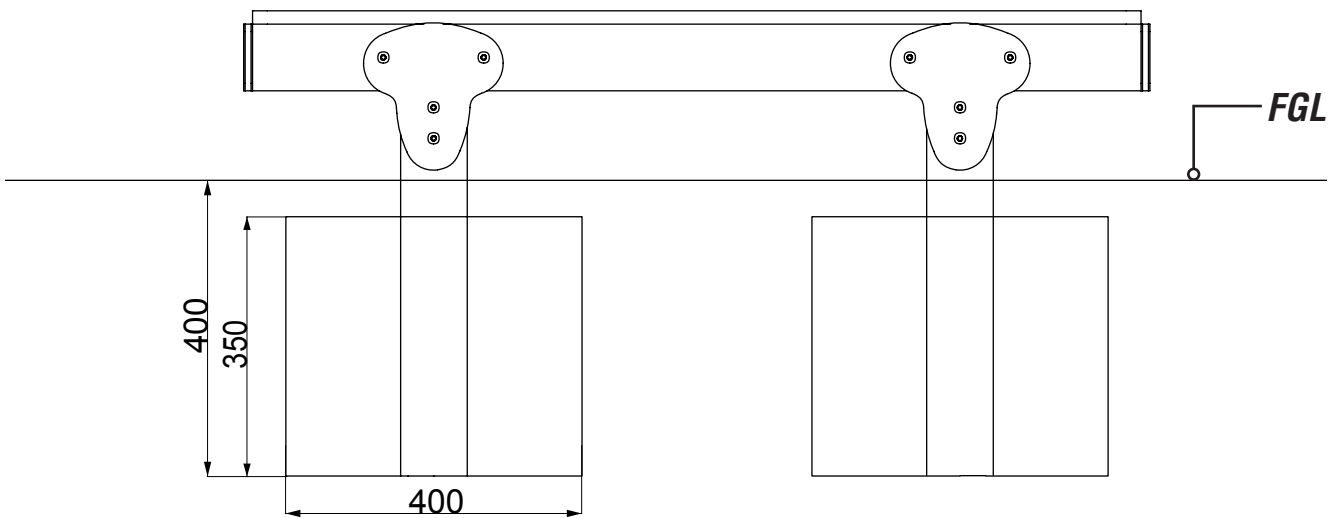
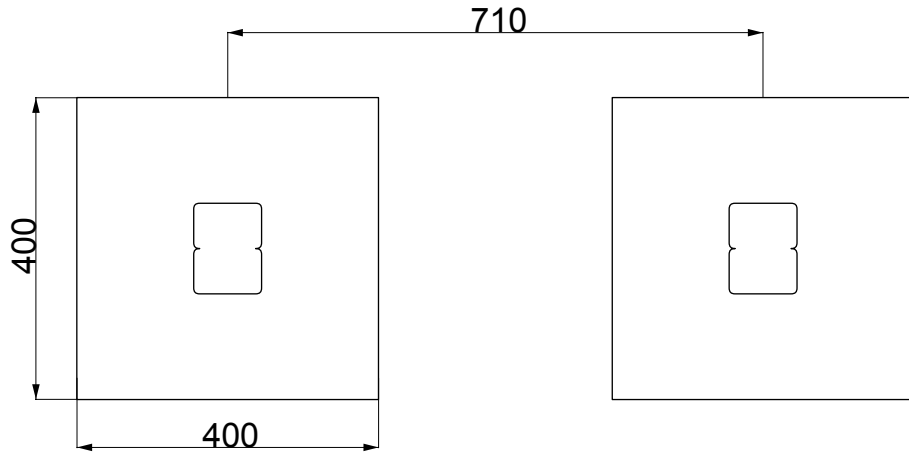


M8X80 SCREWS [X8]

TOOLS REQUIRED



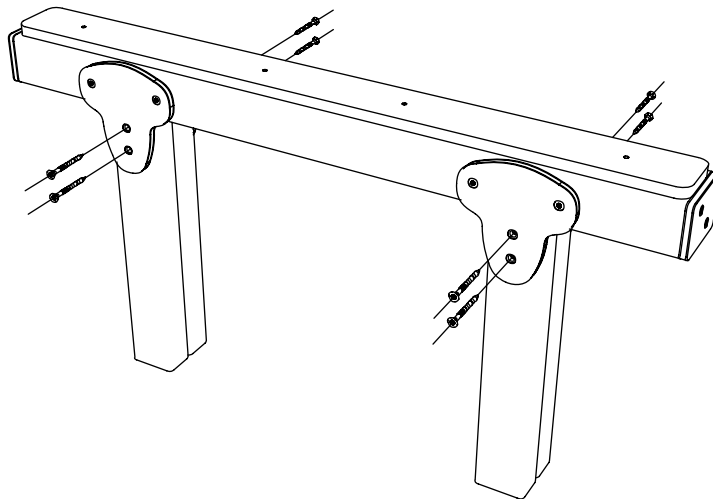
FOUNDATION DETAIL



INSTALLATION INSTRUCTIONS

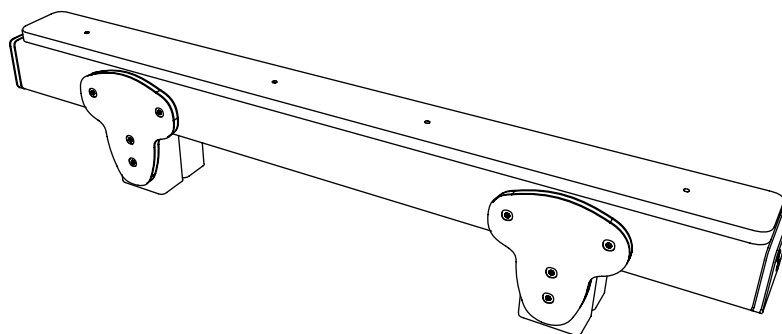
1

**FIX 121A ASSEMBLY TO 121B TIMBERS
USING M8X80 WOOD SCREWS**



2

INSTALL BALANCE BEAM INTO THE GROUND



ADDITIONAL DIMENSIONS

