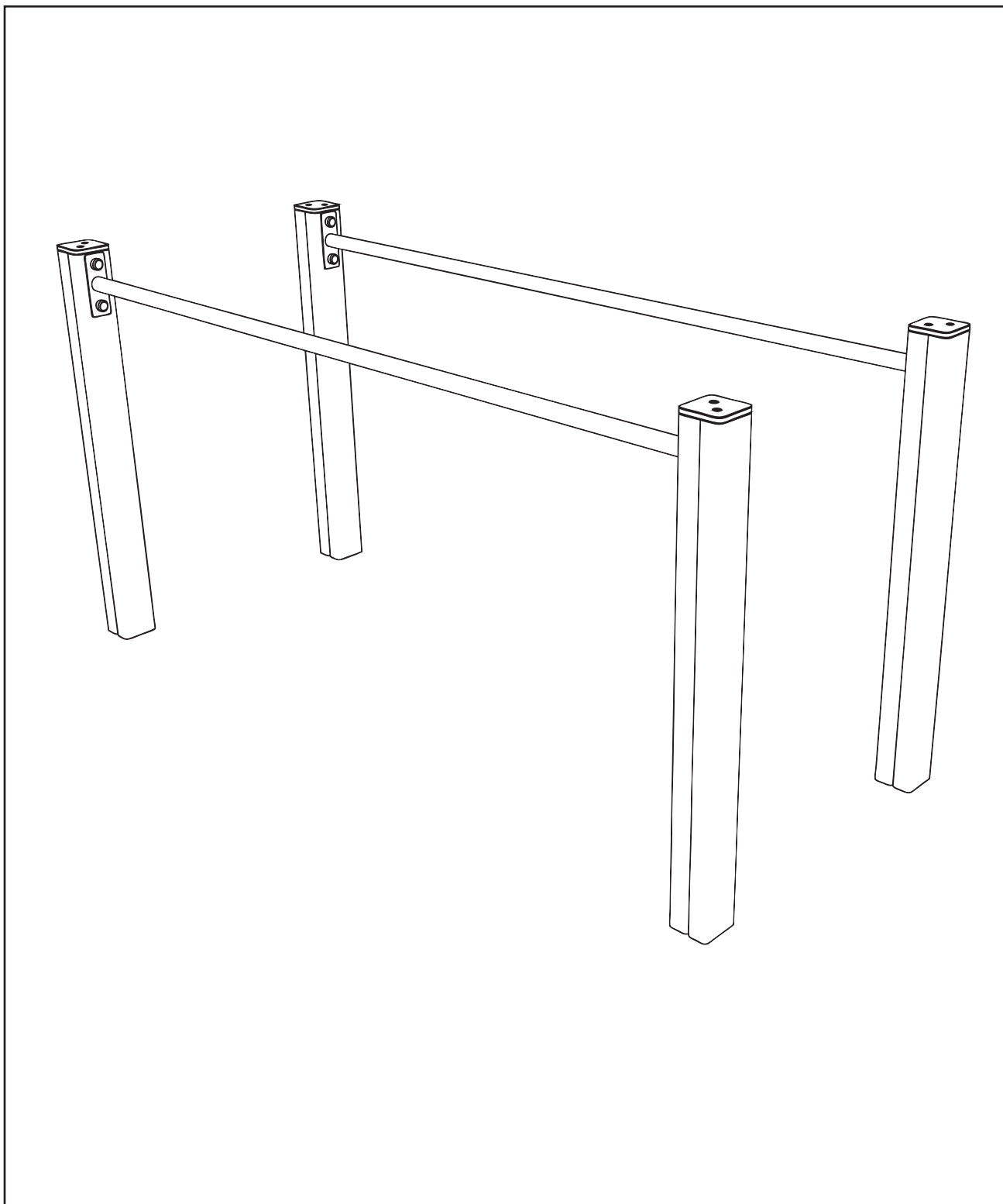


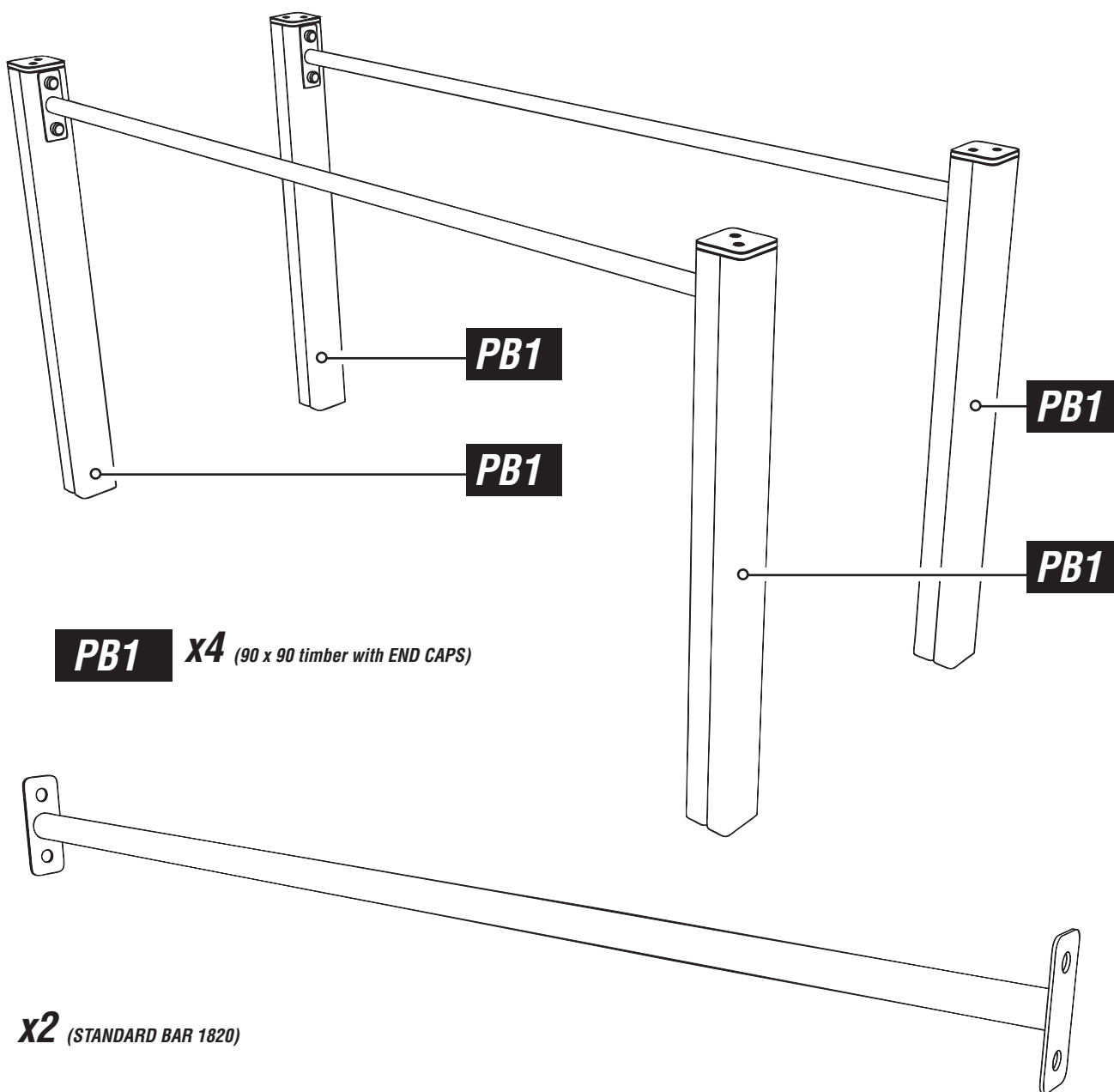
PARALLEL BARS

Installation Instructions


**creative
play**



PARTS required



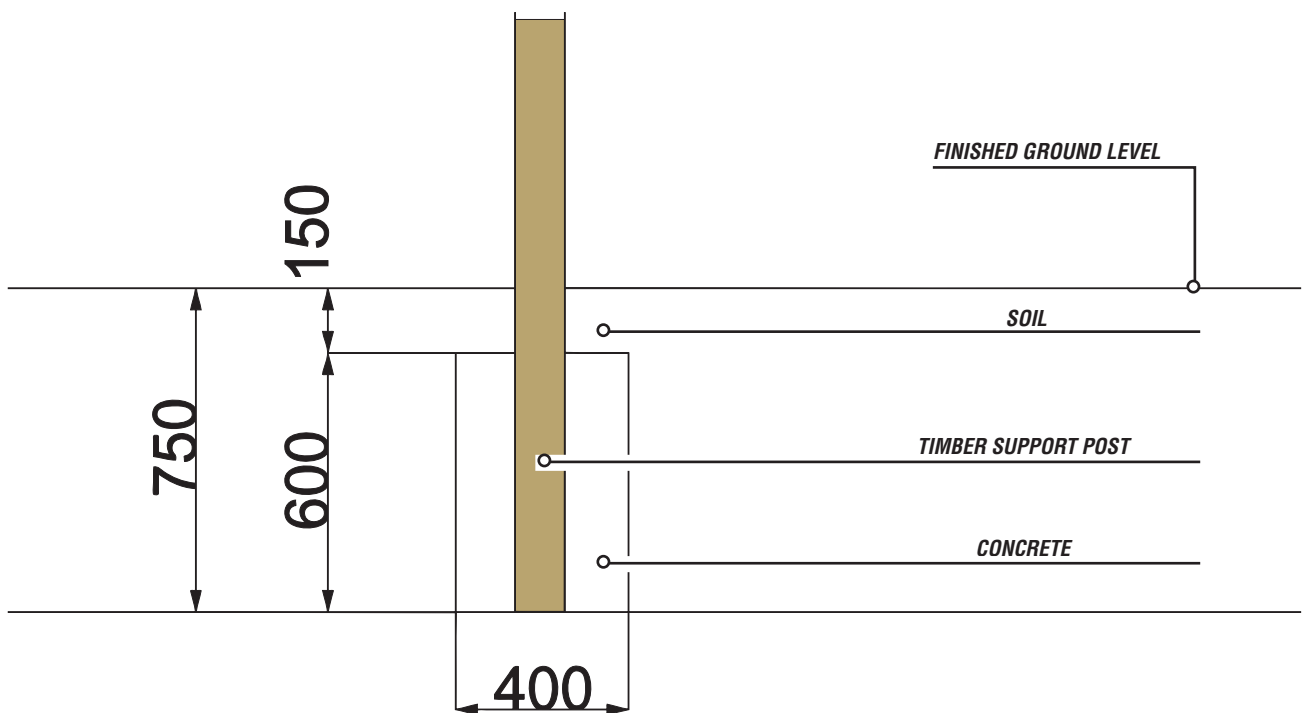
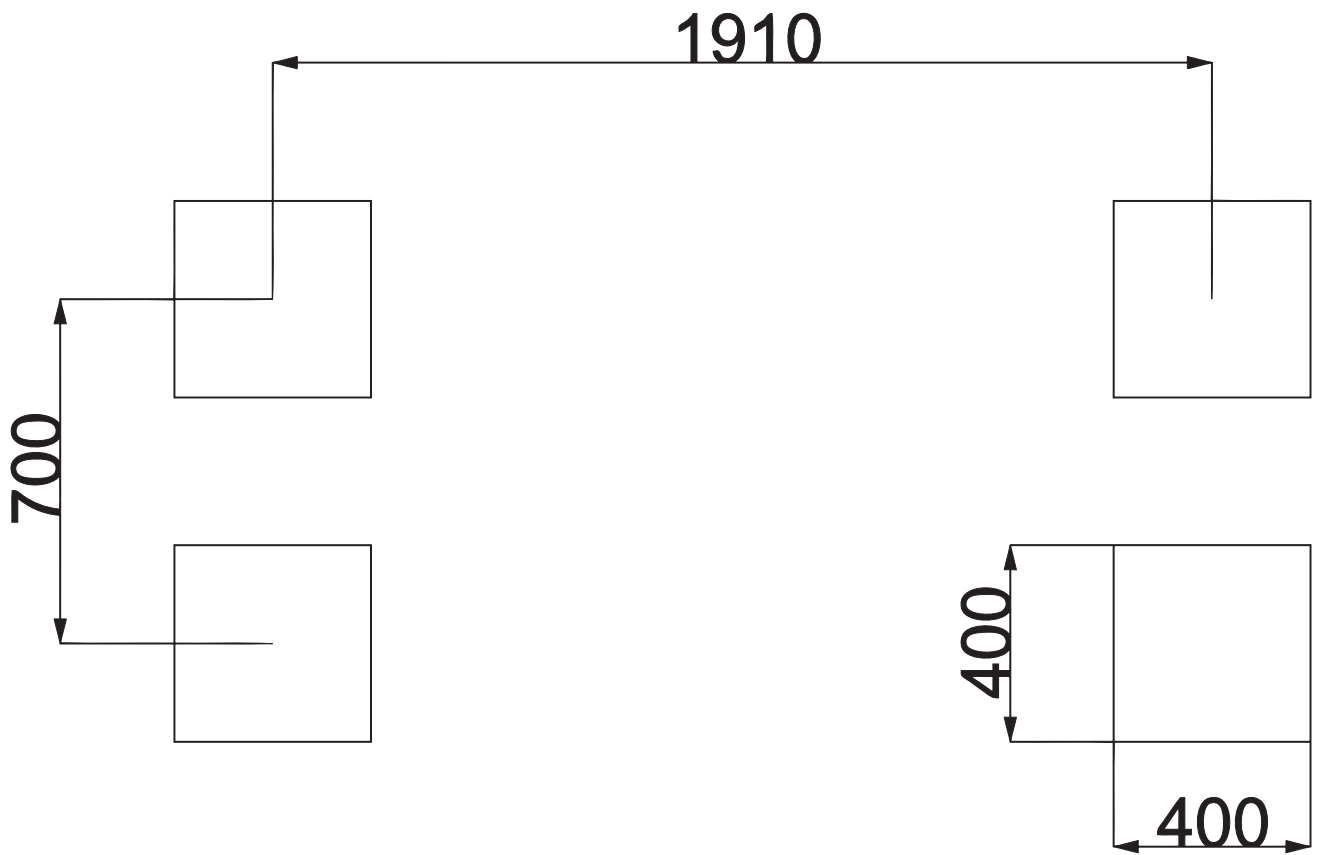
 **x8** (BLUE End Caps)

 **x8** (FM80 'Brass screws')

TOOLS required

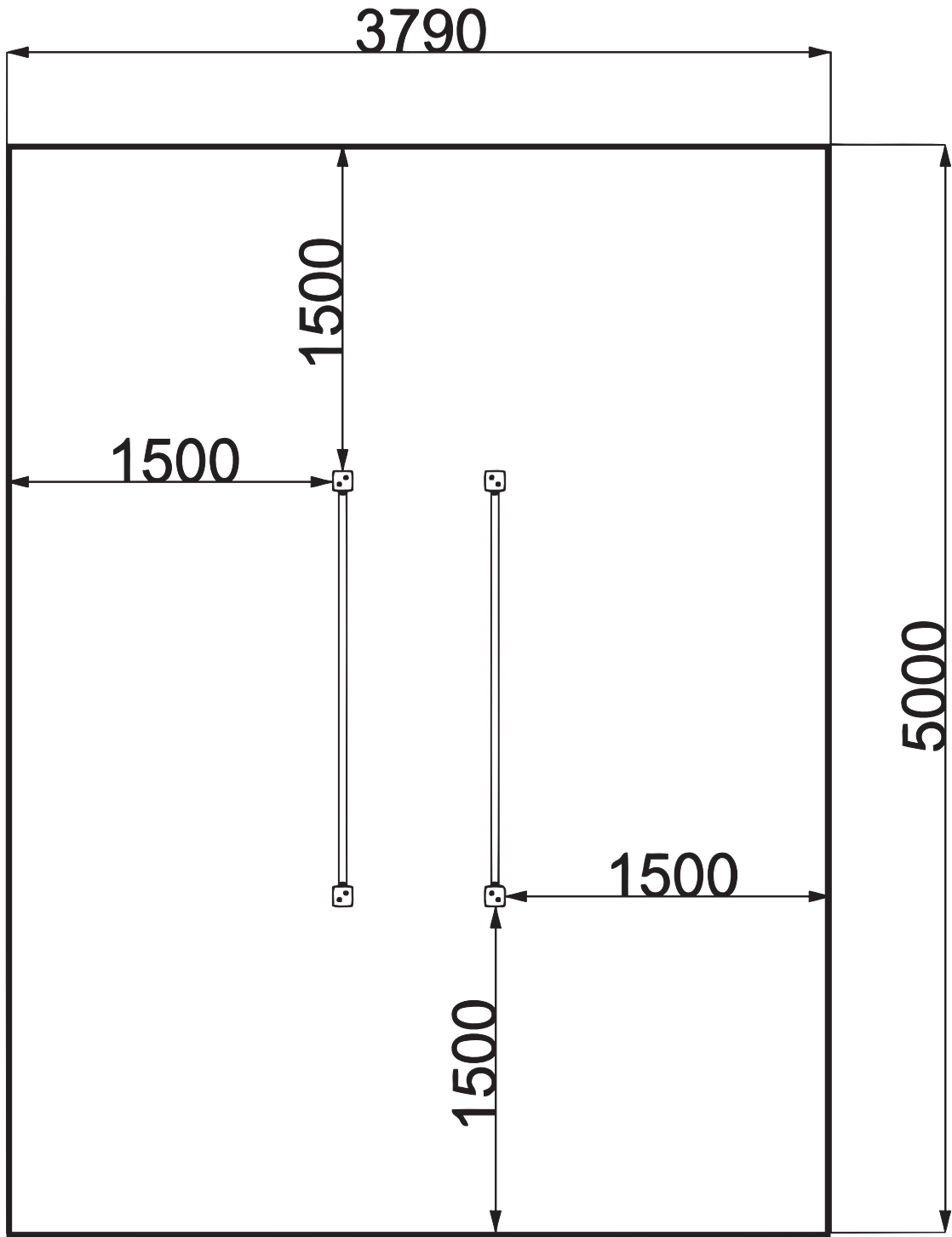


Foundation Details



Surfacing Details

- - - - - = **MINIMUM SPACE**
- = **SURFACE AREA**

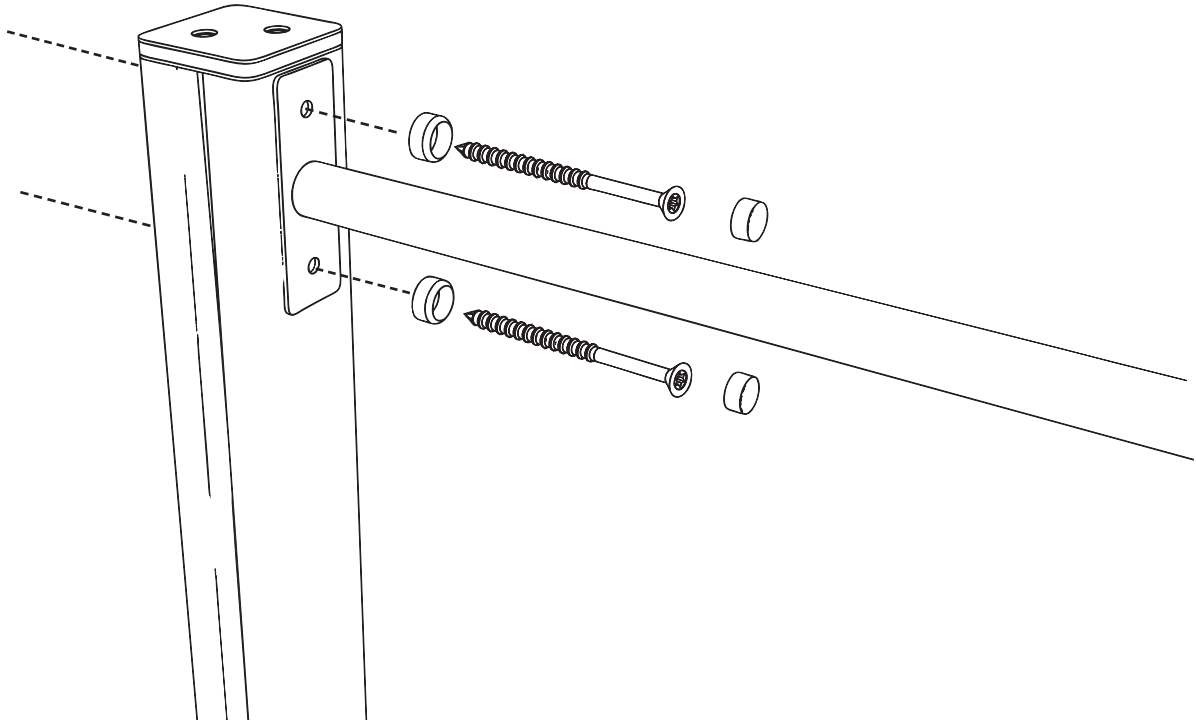


Assembly Instructions

1

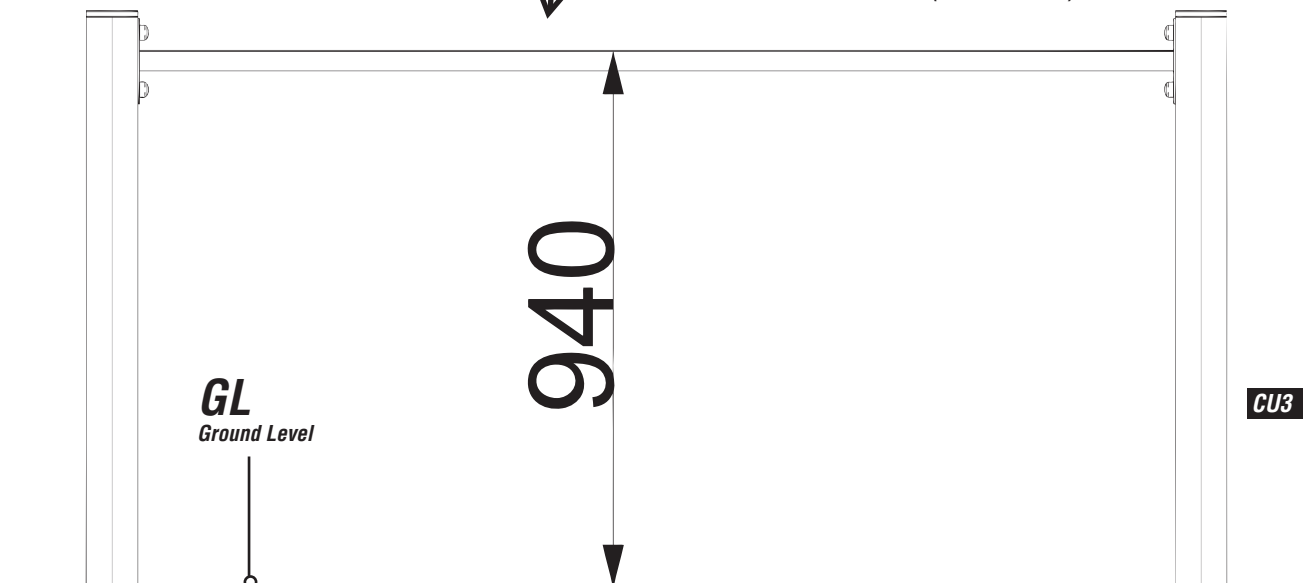
Attach the STANDARD BAR 1820 to the timbers

Using FM80 'BRASS SCREWS' and BLUE END CAPS



Ensure the bars are **POSITIONED** as shown - Measurements are from...

FINISHED GROUND LEVEL to **TOP OF BAR** (not the bracket)



Additional Drawings

