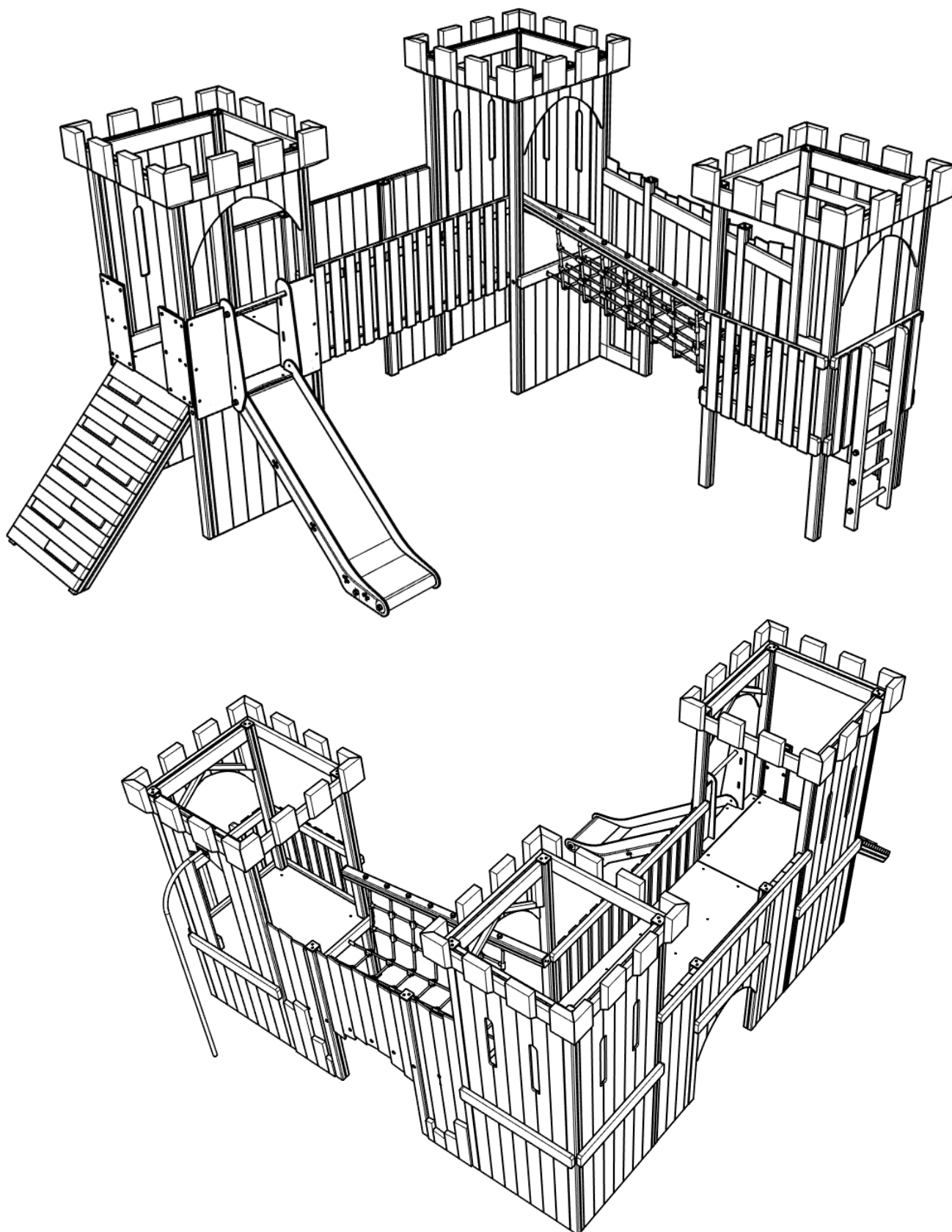


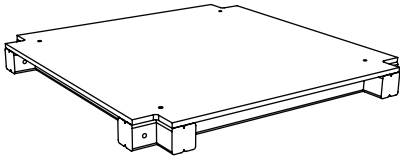
# **CAS103 - ALNWICK**

## ***Installation Instructions***

**creative  
play**

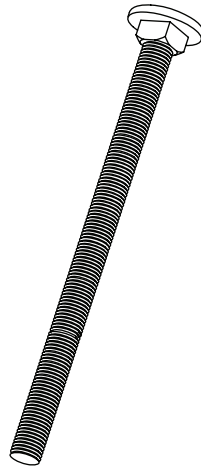


# PARTS REQUIRED



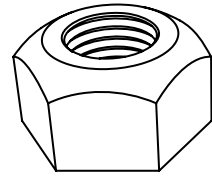
x3

**JIGSAW FLOOR ASSEMBLY**



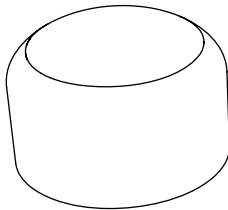
x12

**274.M12X180**



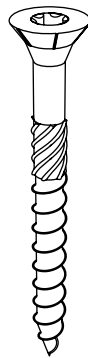
x12

**656.M12**



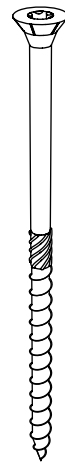
x12

**102003-01**



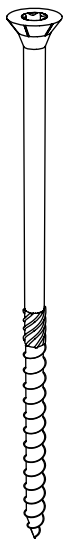
x36

**97.M8X80CSK**



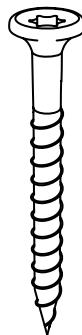
x22

**97.M8X120CSK**



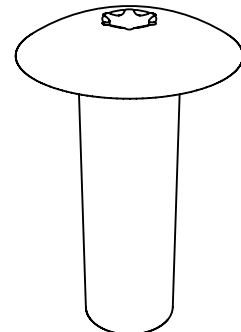
x204

**97.M8X180CSK**



x60

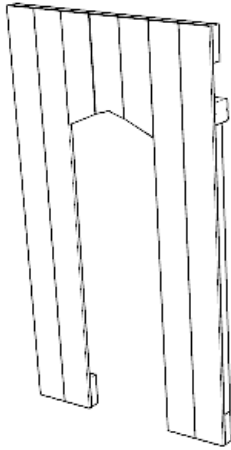
**97.M6X40CSK**



x10

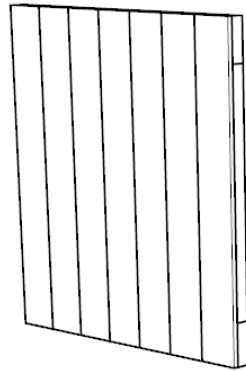
**M12 SOCKET NUT (50MM)**

# PARTS REQUIRED



x1

**FPA (FIREFIGHTERS POLE)**

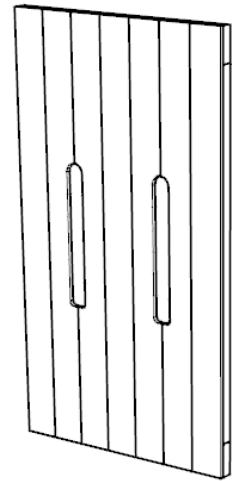


x1

**LP-0.9M**

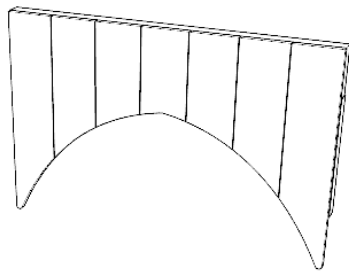
x5

**LP-1.2M**



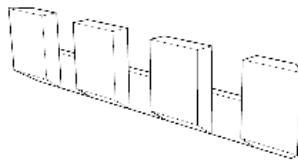
x3

**UP**



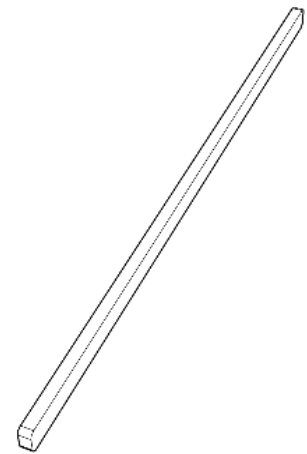
x3

**SA**



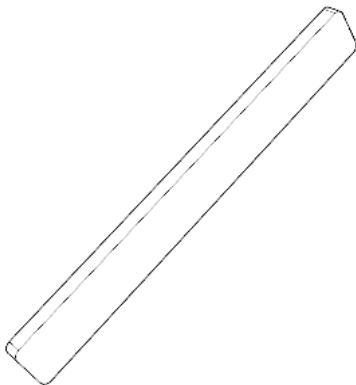
x12

**SCT - STANDRAD CASTLE TRIM**



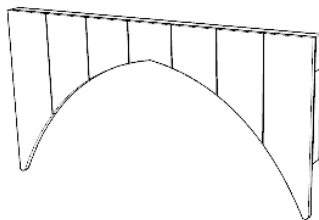
x1

**LCPT - 93**



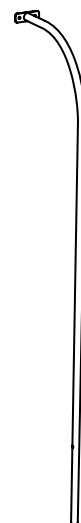
x5

**CPT-143**



x1

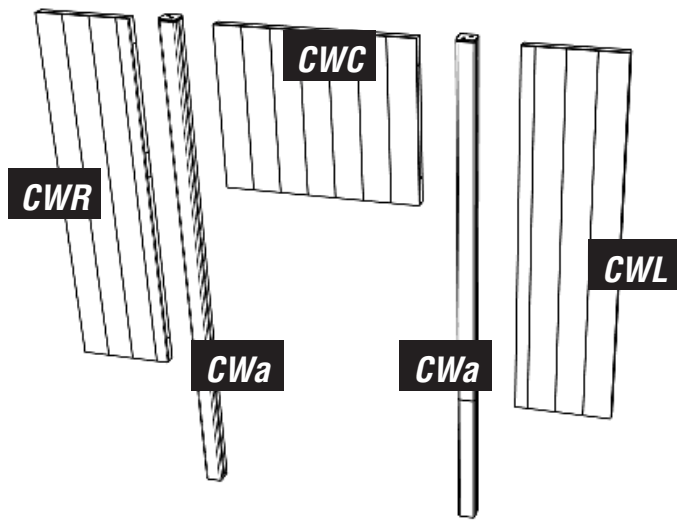
**GTA**



x1

**FIREFIGHTERS POLE**

# PARTS REQUIRED

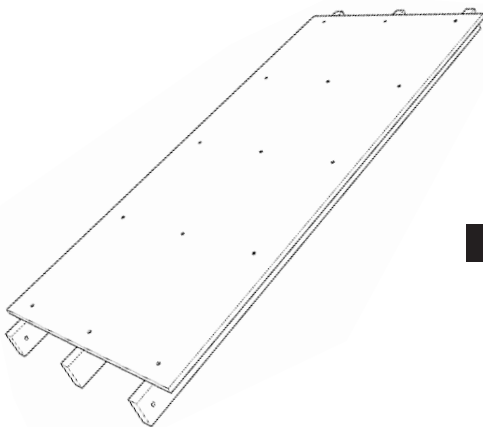


**CASTLE WALKWAY PANELS / TIMBERS**



x14

**TIMBER SLATS (JIG208-B)**



x1

**FLOOR ASSEMBLY**



x1

**JIG208-A**



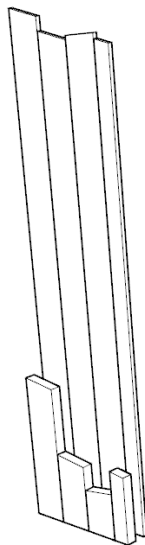
x1

**JIG208-C**



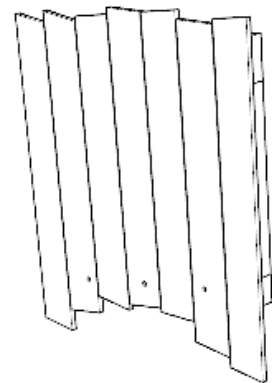
x1

**ICPR-912 - RIGHT PANEL**



x1

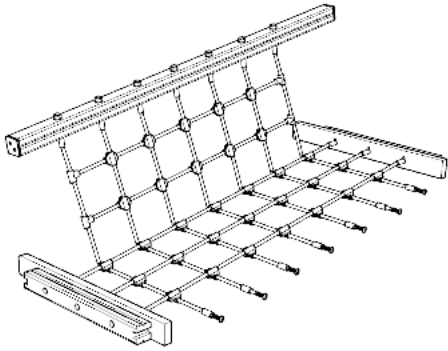
**ICPR-912 - LEFT PANEL**



x1

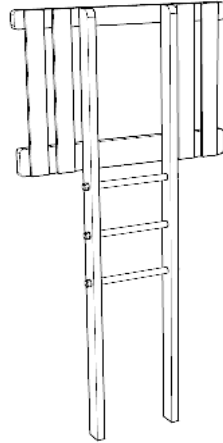
**ICPR-912 - MIDDLE PANEL**

# PARTS REQUIRED



x1

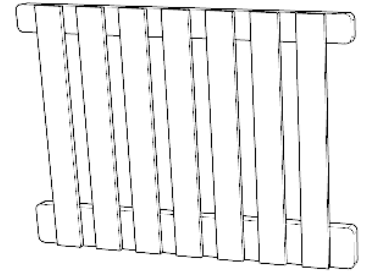
**CNC - CASTLE NET CROSSING**



.inc standard fixings

**JIGSAW STANDARD PART**

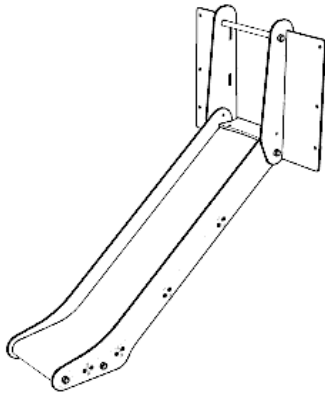
**JIG916 - RUNG LADDER 0.9M**



x1 .inc standard fixings

**JIGSAW STANDARD PART**

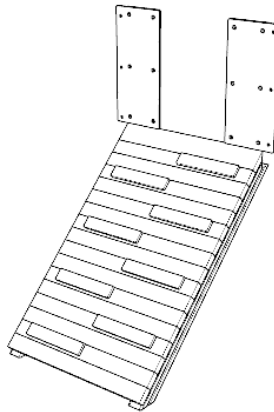
**JIG102 - GUARD RAIL STRAIGHT**



X1 .inc standard fixings

**JIGSAW STANDARD PART**

**JIG1211 - SLIDE - 1.2M**



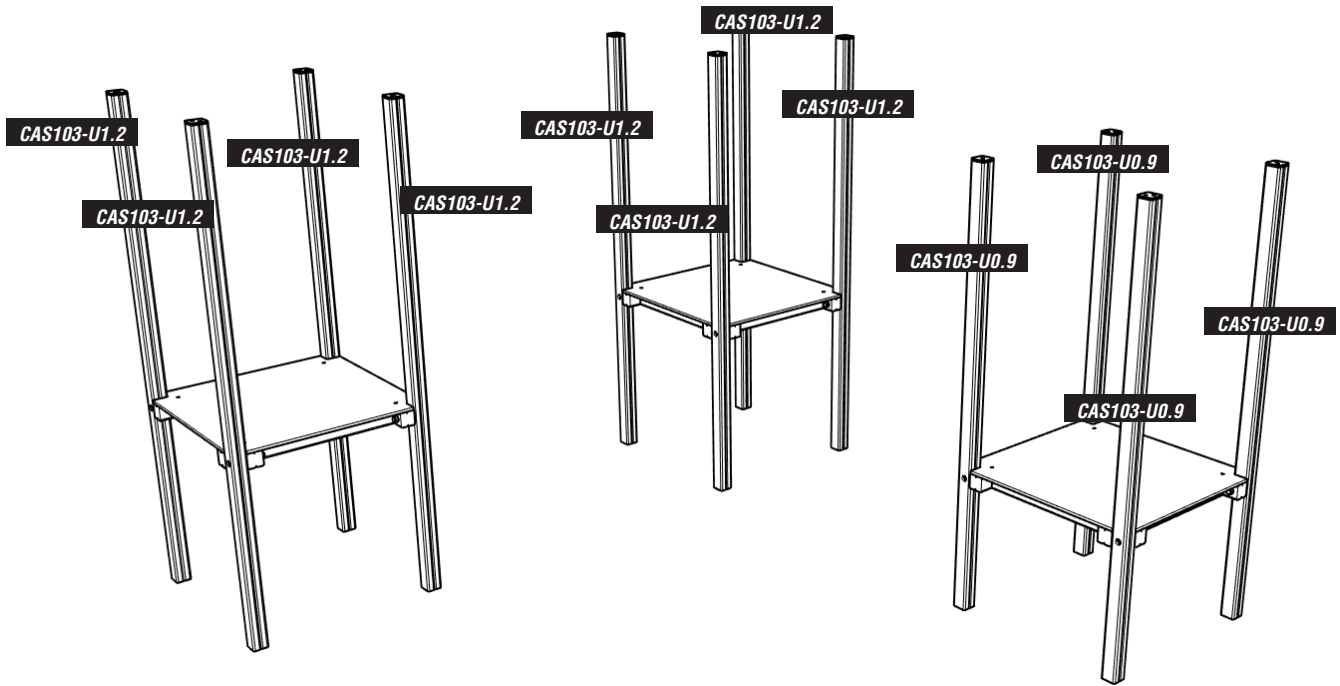
.inc standard fixings

**JIGSAW STANDARD PART**

**JIG1213 - RAMP - 1.2M**

x4

# PARTS REQUIRED - CASTLE UPRIGHT TIMBERS

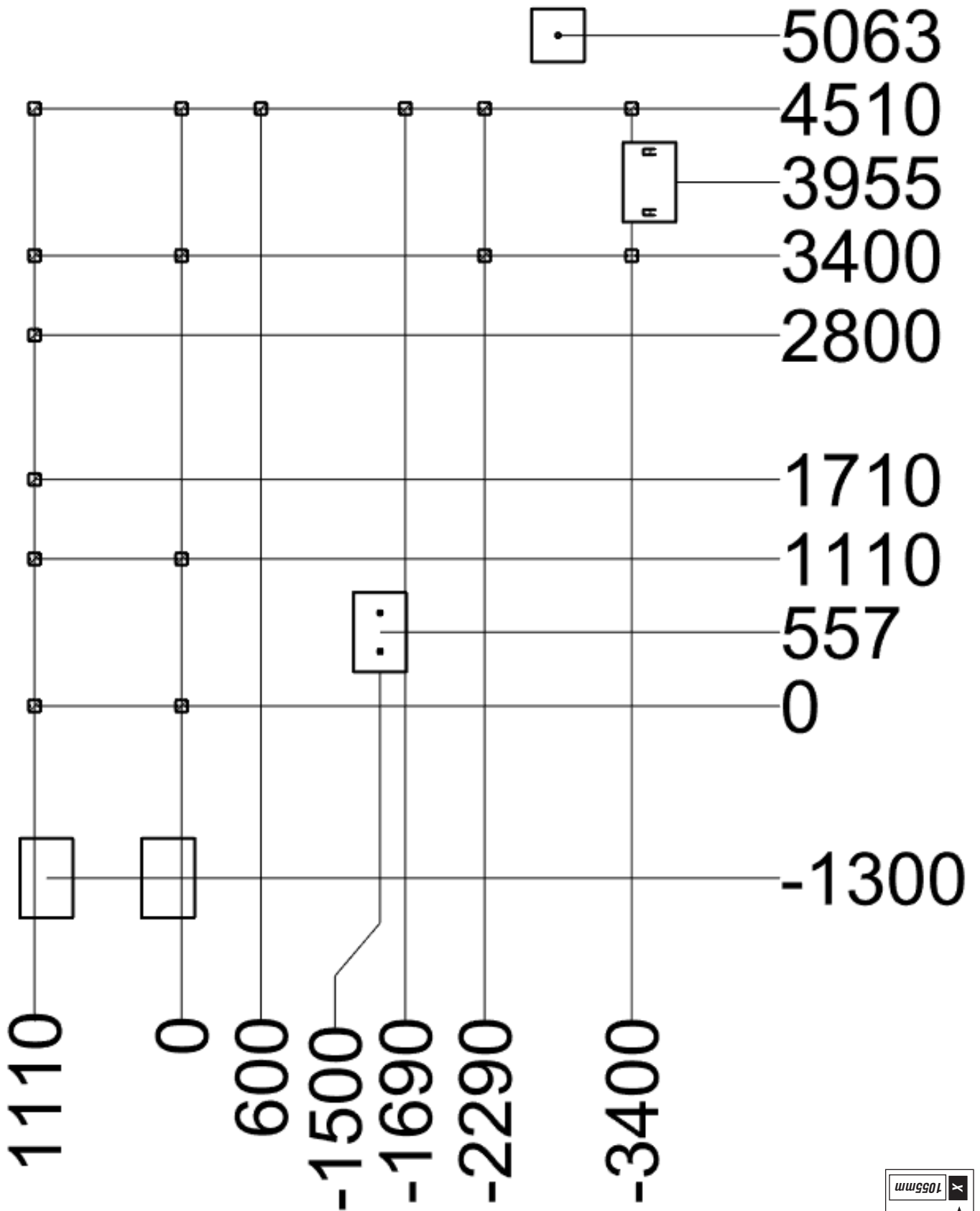


x12 (8 X 1.2 / 4 X 0.9)

## CAS103-U1.2 / U0.9

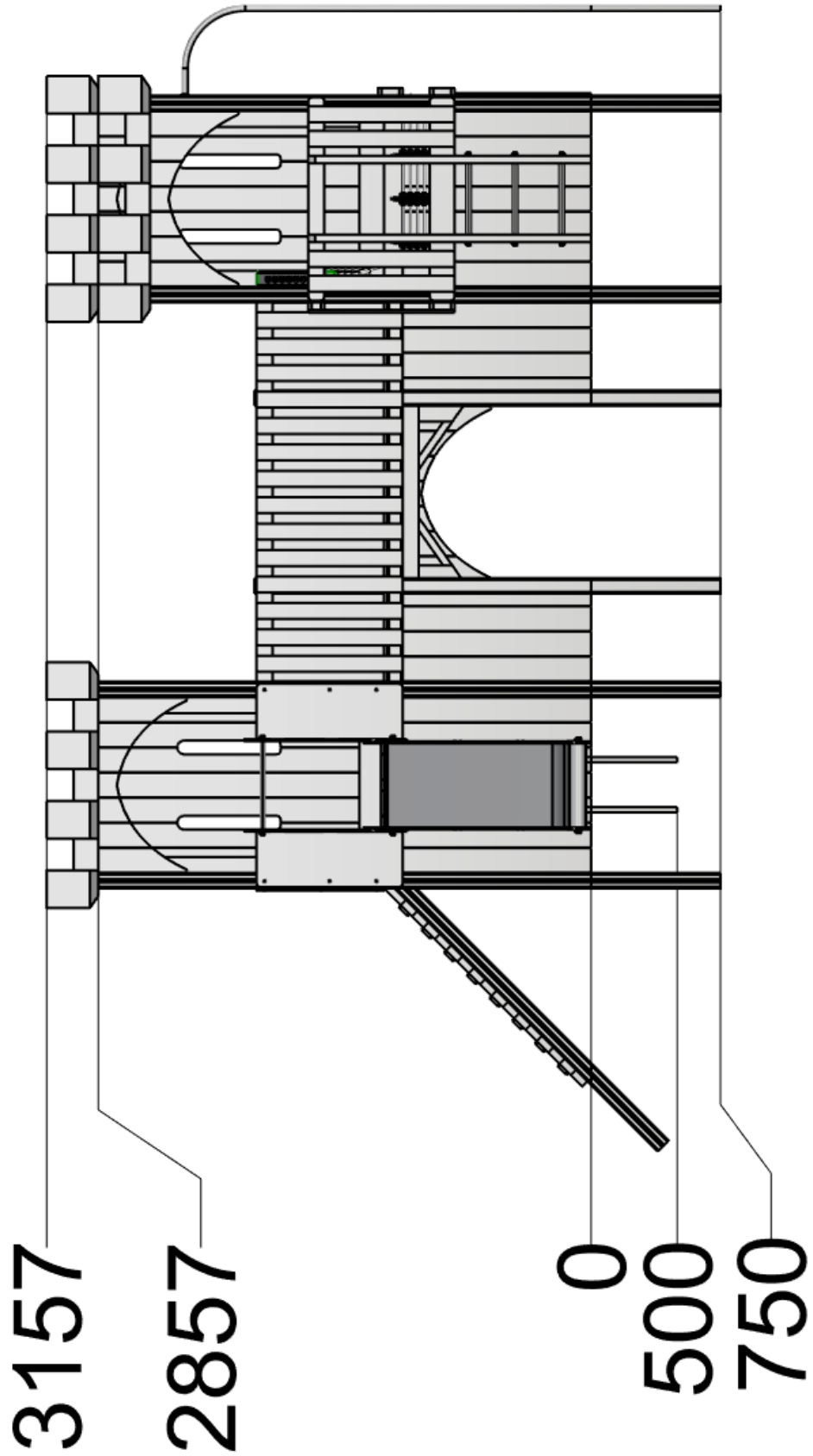
CODE	TYPE	SIZE	QTY	ADDITIONAL INFORMATION
CAS103-U1.2	90x90	3750*	8	UPRIGHTS (ADD 150MM EXTENSION)
CAS103-U0.9	90X90	3450	4	UPRIGHTS
ICPR-912a	90x90	2717	1	UPRIGHTS (NET CROSSING)
ICPR-912b	90x90	2589	1	UPRIGHTS (NET CROSSING)

# FOUNDATION DETAILS



# FOUNDATION DETAILS

---

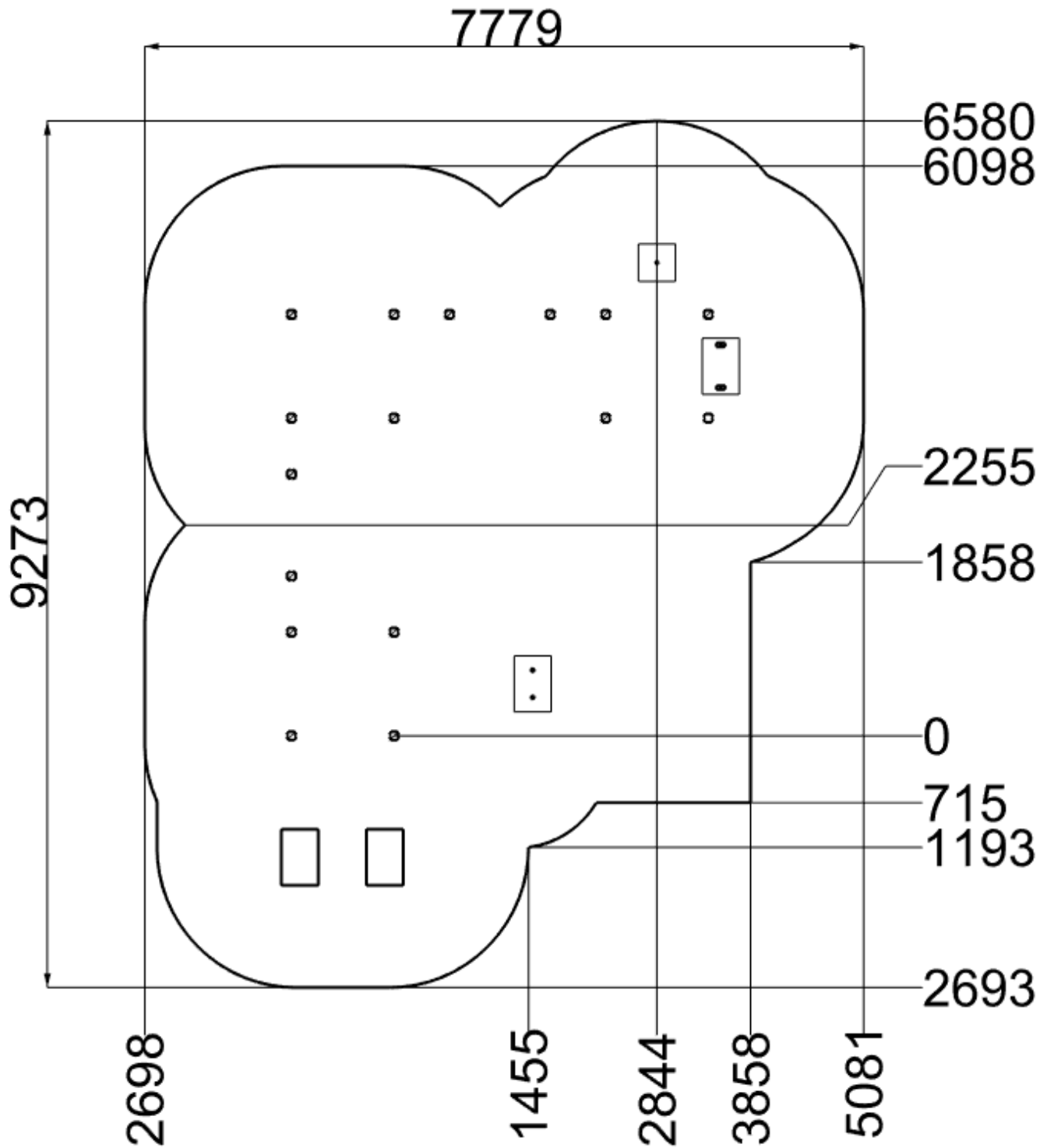




# SURFACING DETAILS

----- = MINIMUM SPACE

———— = SURFACE AREA



# INSTALLATION INSTRUCTIONS

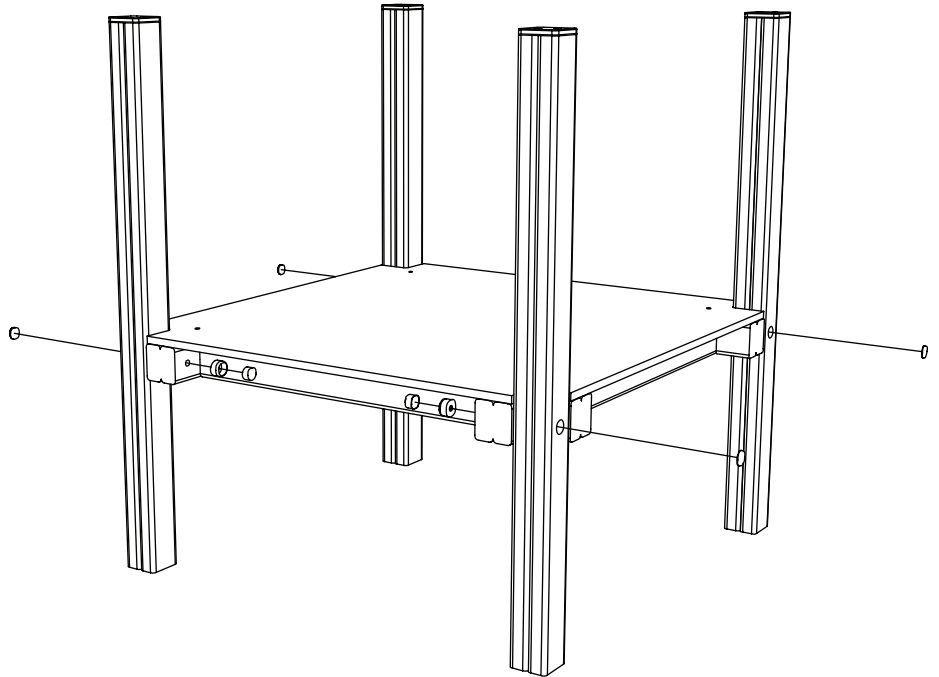
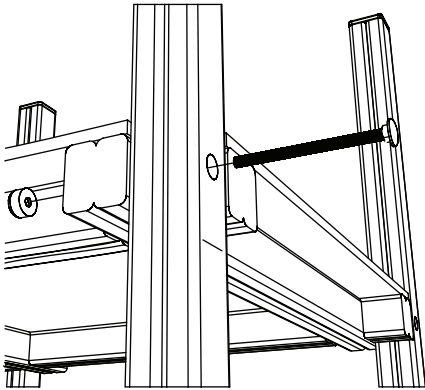
**1**

## ATTACH FLOOR ASSEMBLY TO UPRIGHT TIMBERS - SEE NEXT PAGE

USING 274.M12X180 / 656.M12 / 102003-01 - QUANTITY X 4

### NOTES:

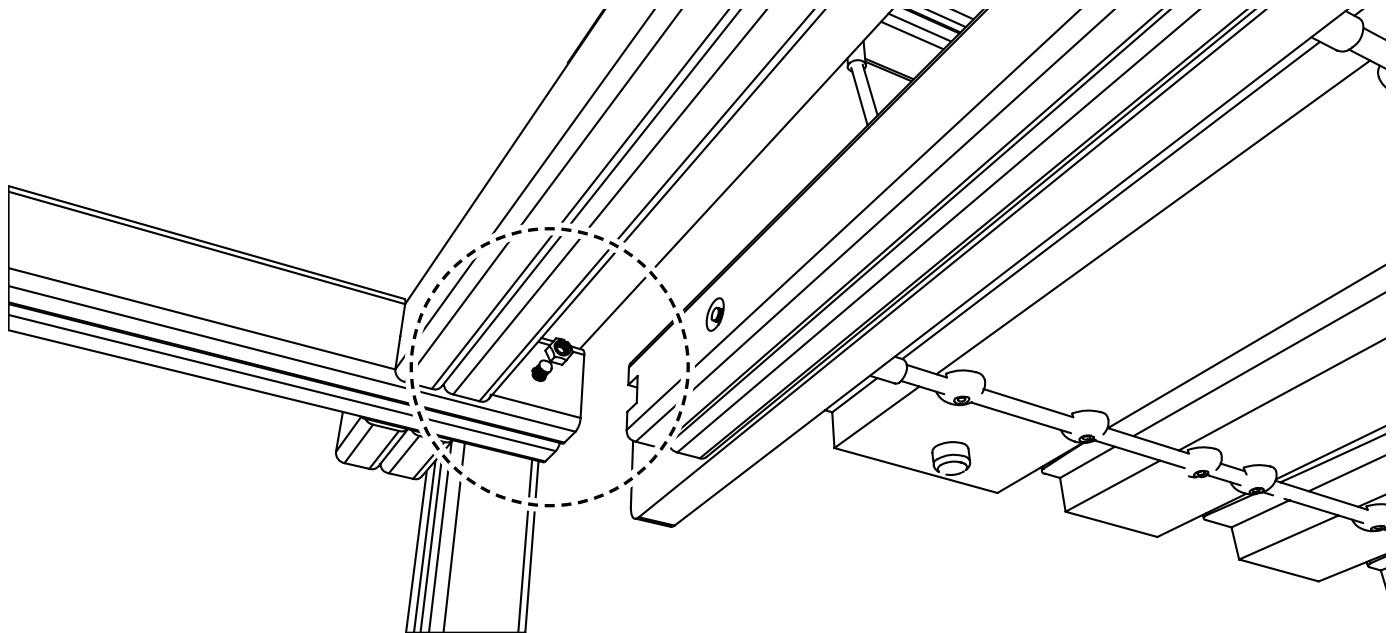
NYLOC & COVERED END ARE ALWAYS  
POSITIONED ON THE INSIDE



**2**

## PLEASE NOTE - END CAPS MAY NOT BE REQUIRED

SOME ATTACHMENT PARTS MEANS END CAPS ARE NOT REQUIRED

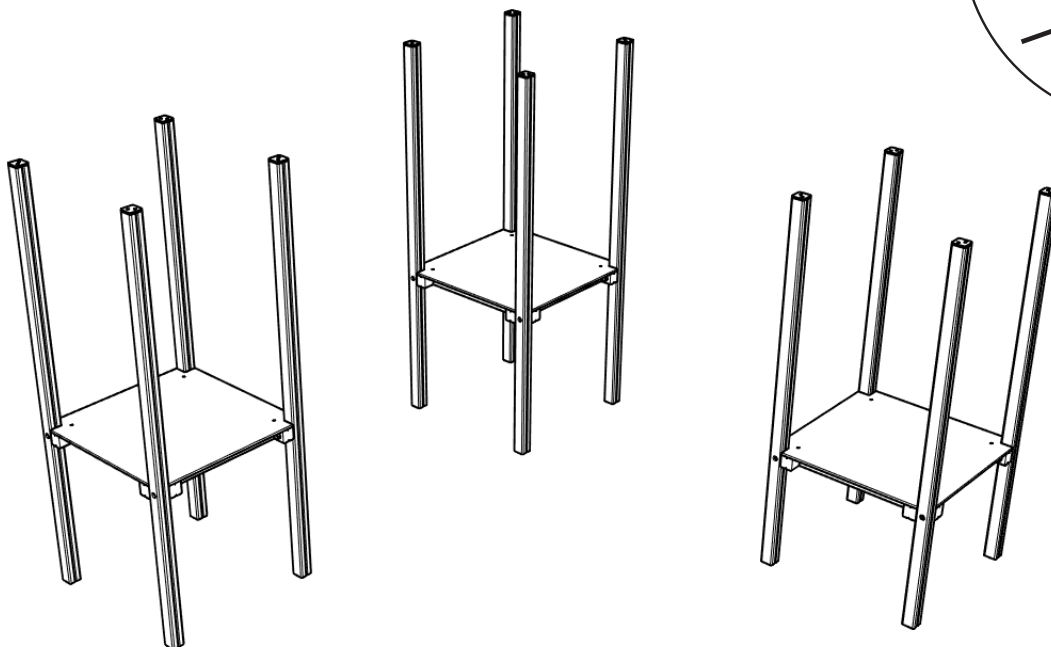
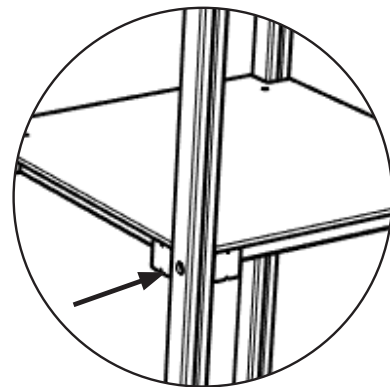


### NOTES:

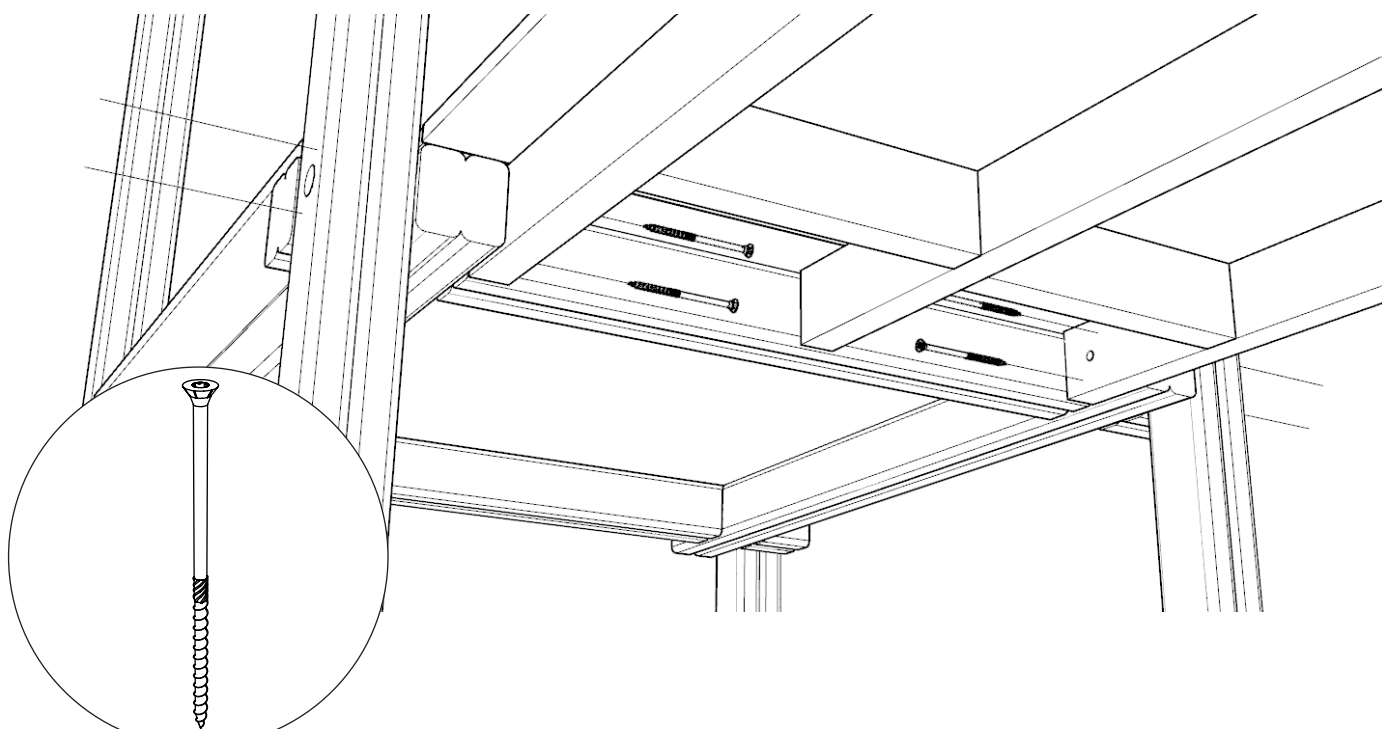
TIMBER SUPPORT IS CUT TO FIT AROUND THE NYLOC - CIRCLED ABOVE

# INSTALLATION INSTRUCTIONS

- 3** ENSURE COUNTERSUNK HOLES ARE AS SHOWN  
DIRECTION OF HOLES HIGHLIGHTED BELOW



- 4** ATTACH THE CASTLE WALKWAY FLOOR  
ATTACH USING 97.M8X180CSK



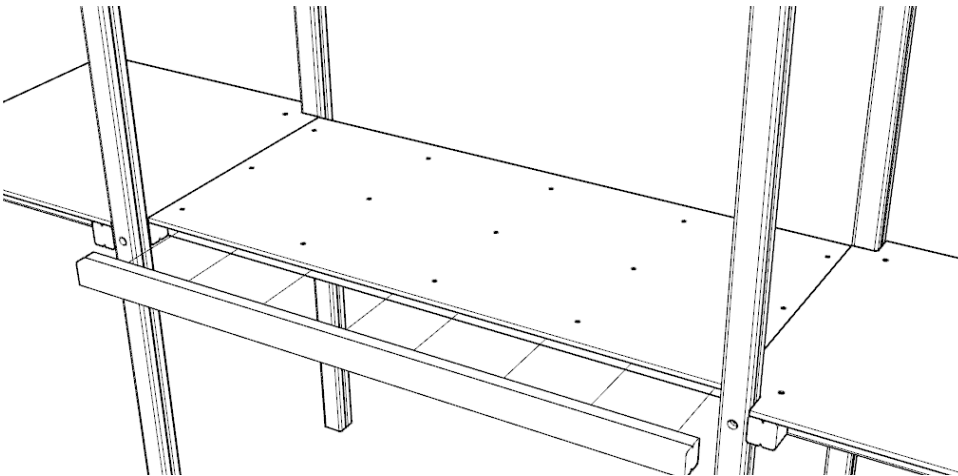
97.M8X180CSK

# INSTALLATION INSTRUCTIONS

**5**

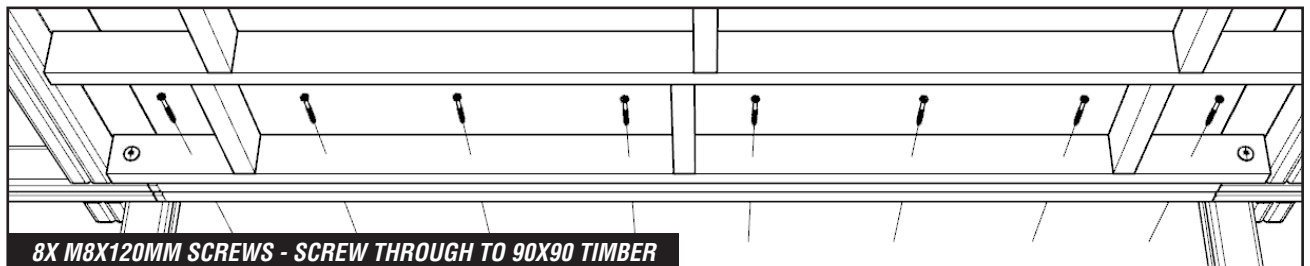
**ATTACH THE 90X90 TIMBERS TO BOTH SIDES OF FLOOR ASSEMBLY**

USING M8X120MM WOOD SCREWS, ENSURE IT IS SCREWED IN FROM INSIDE OF FLOOR ASSEMBLY



**NOTES:**

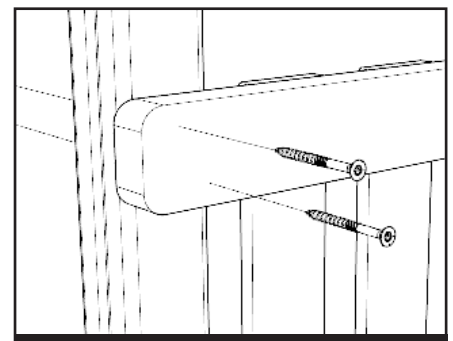
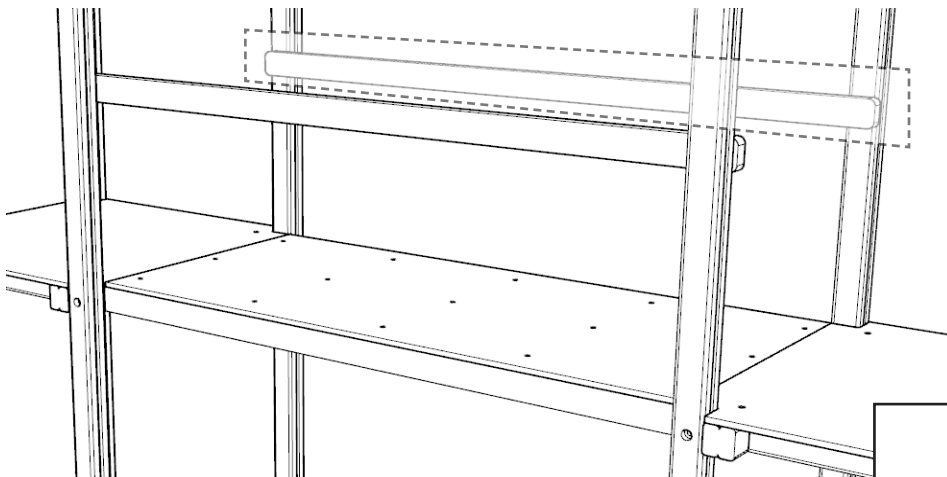
ENSURE 90X90 TIMBERS SITS BELOW THE HEXAGRIP FLOOR AND IS FLUSH WITH THE OUTER FACES OF JIGSAW UPRIGHT TIMBERS



**6**

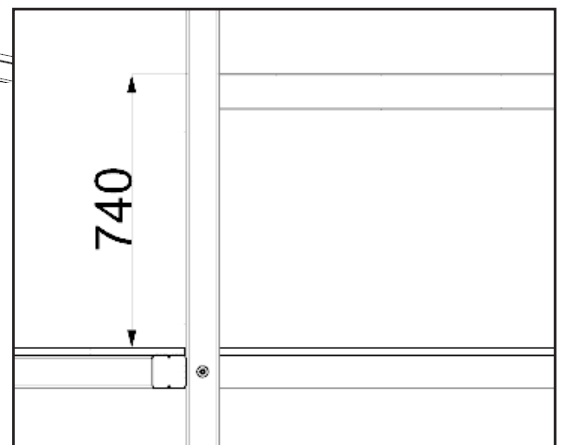
**ATTACH HAND RAILS TO JIGSAW PLATFORM UPRIGHT TIMBERS**

USING M8X80MM WOOD SCREWS



**NOTES:**

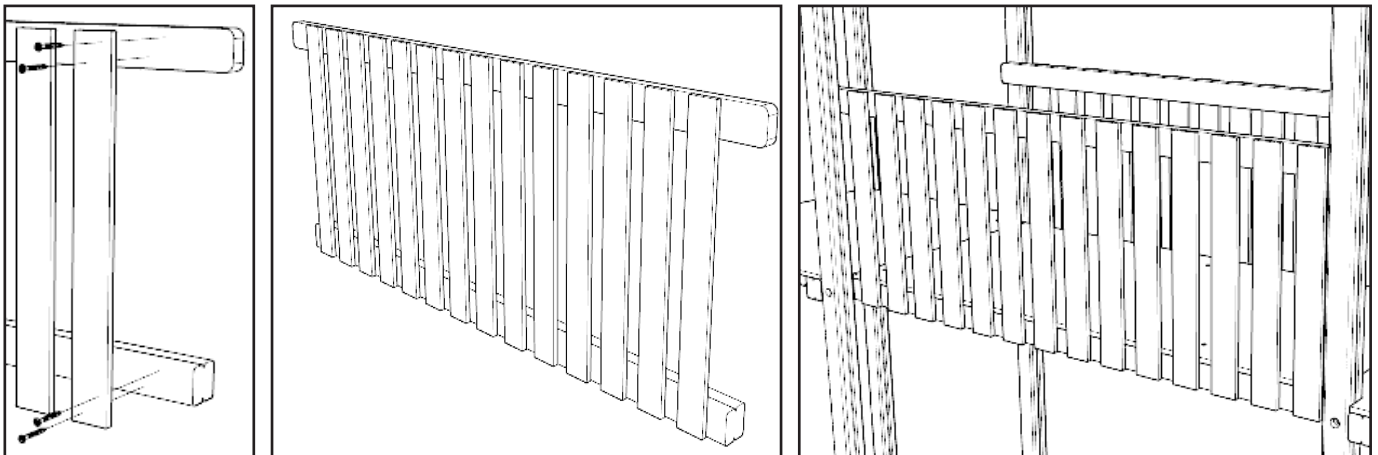
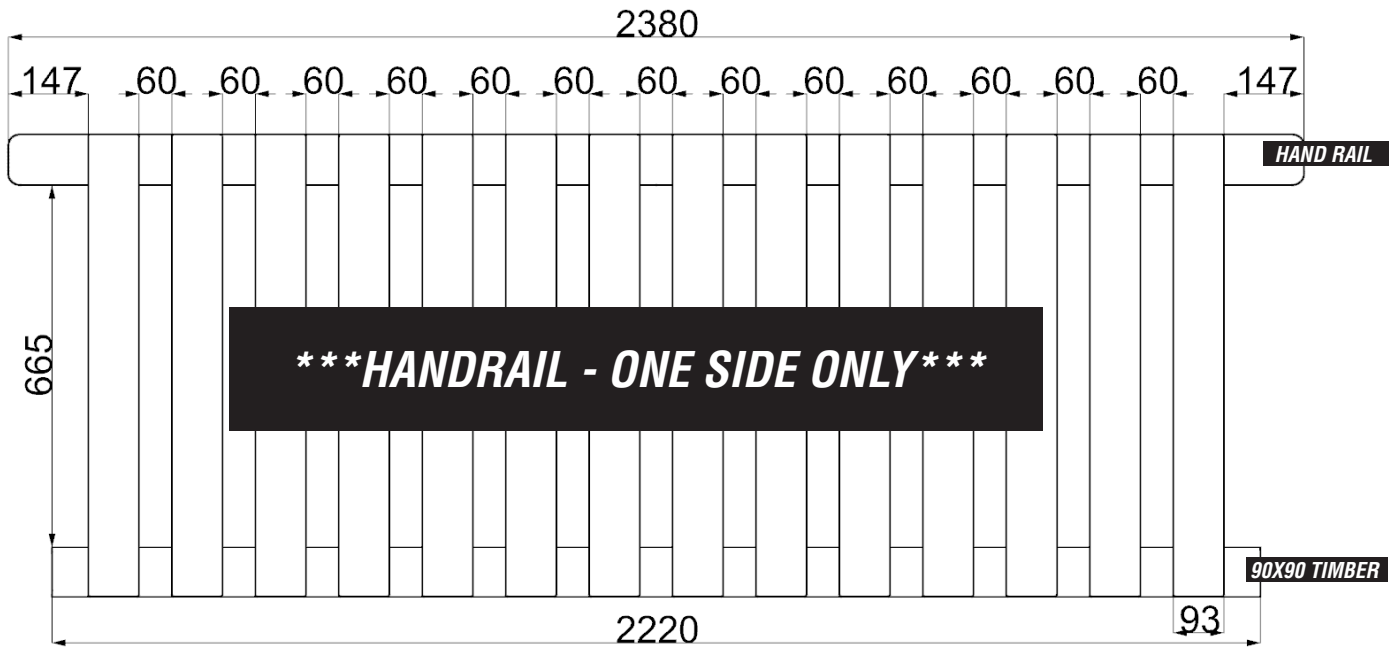
ENSURE TOP OF HAND RAILS SIT 740MM FROM HEXAGRIP FLOOR ON INSIDE OF PLATFORM UPRIGHT TIMBERS



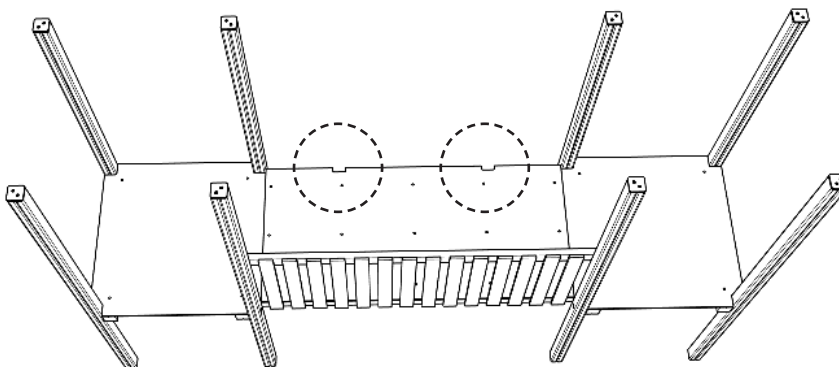
**\*\*\*HANDRAIL - ONE SIDE ONLY\*\*\***

# INSTALLATION INSTRUCTIONS

- 7** **ATTACH GUARD RAIL SLATS TO BOTH THE HANDRAIL AND 90X90 TIMBER**  
USING 4X M6X40MM WOOD SCREWS PER SLAT, SECURED AT DIMENSIONS SHOWN BELOW ON BOTH SIDES



- 8** **ENSURE THE WALKWAY IS AS SHOWN BELOW**  
CUT OUT SECTIONS OF THE FLOOR AS CIRCLED

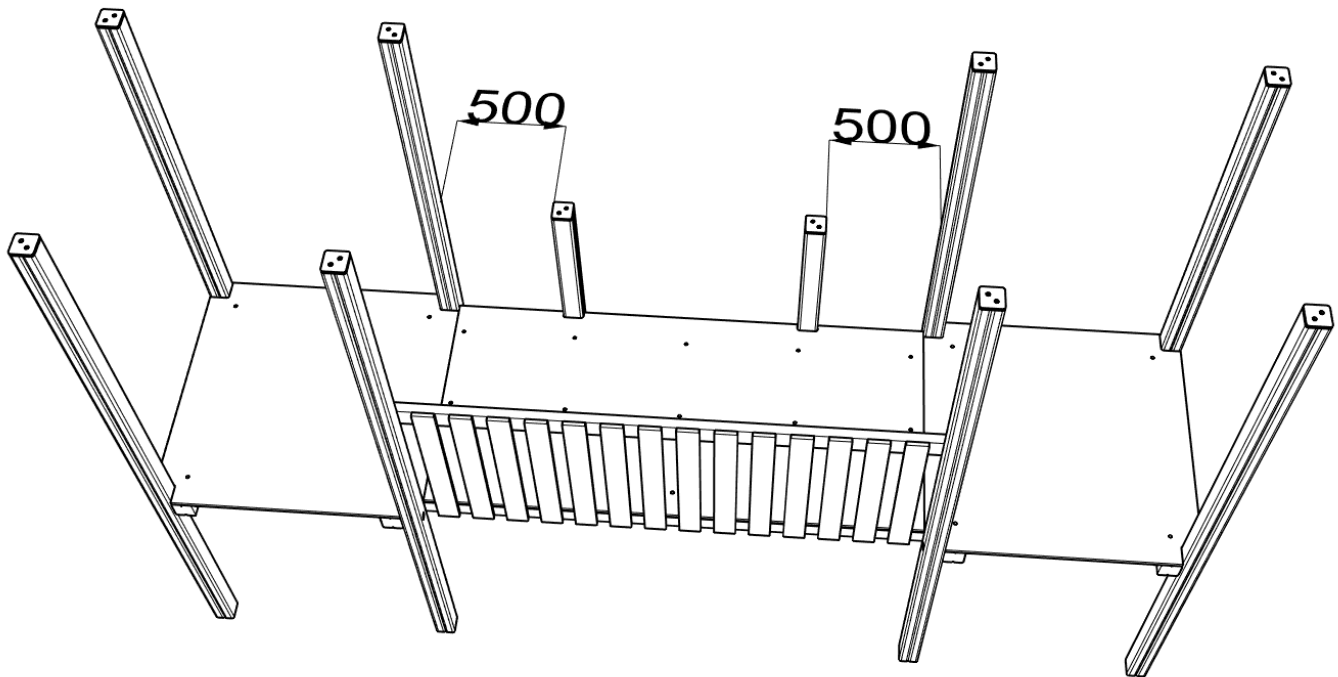


# INSTALLATION INSTRUCTIONS

**9**

## POSITION THE WALKWAY ADDITIONAL UPRIGHT TIMBERS

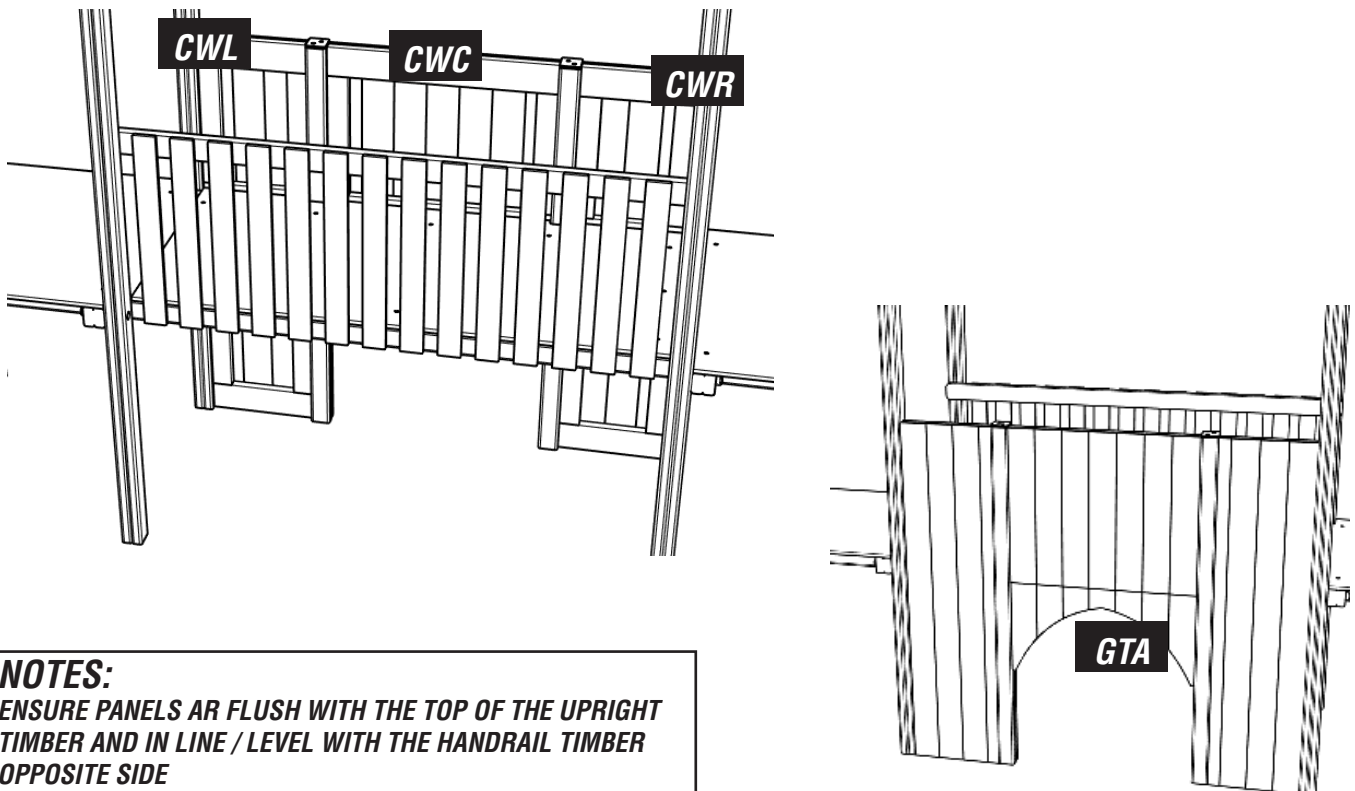
750MM DEEP FOUNDATION REQUIRED (400MM X 400MM)



**10**

## ATTACH HAND RAILS TO JIGSAW PLATFORM UPRIGHT TIMBERS

USING M8X180MM WOOD SCREWS, 4X PER SIDE OF PANEL AS SHOWN



### NOTES:

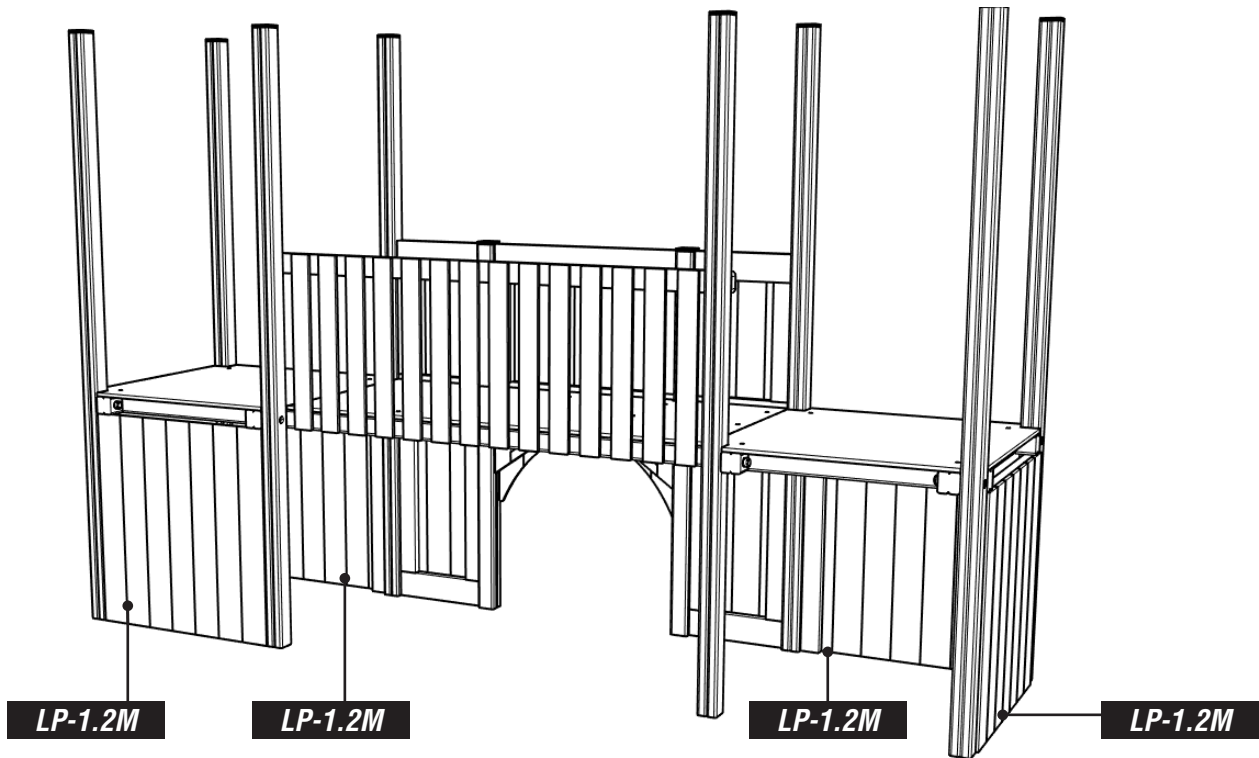
ENSURE PANELS ARE FLUSH WITH THE TOP OF THE UPRIGHT  
TIMBER AND IN LINE / LEVEL WITH THE HANDRAIL TIMBER  
OPPOSITE SIDE

# INSTALLATION INSTRUCTIONS

**11**

## POSITION ALL LOWER CLADDING PANELS

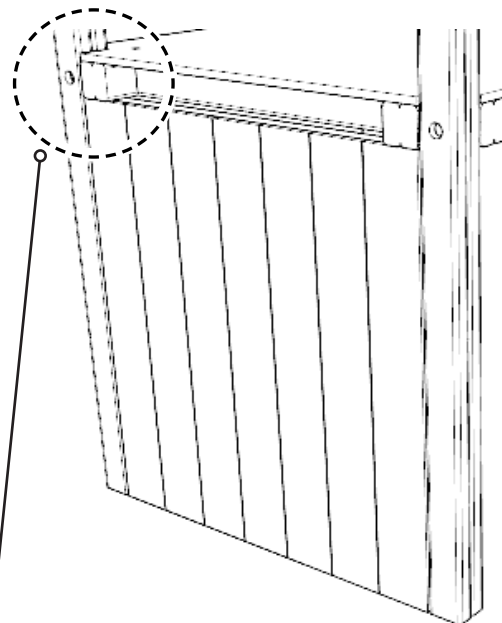
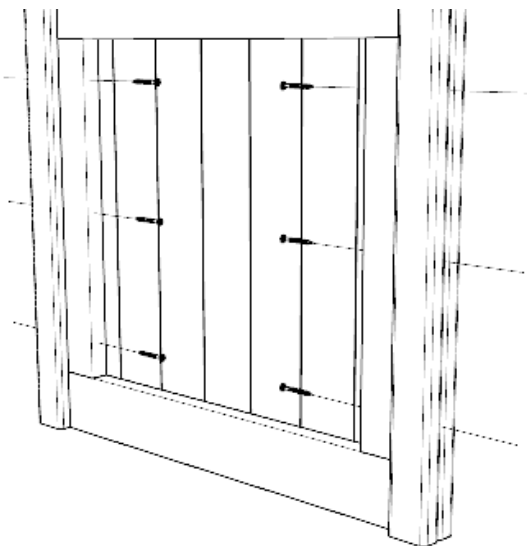
LP-1.2M



**12**

## ATTACHING LOWER CLADDING PANELS...

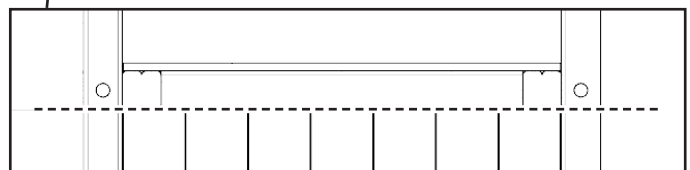
USING 6X M8X180MM WOOD SCREWS - 3 PER SIDE, SCREW IN FROM INSIDE OF TOWER AS SHOWN BELOW



### NOTES:

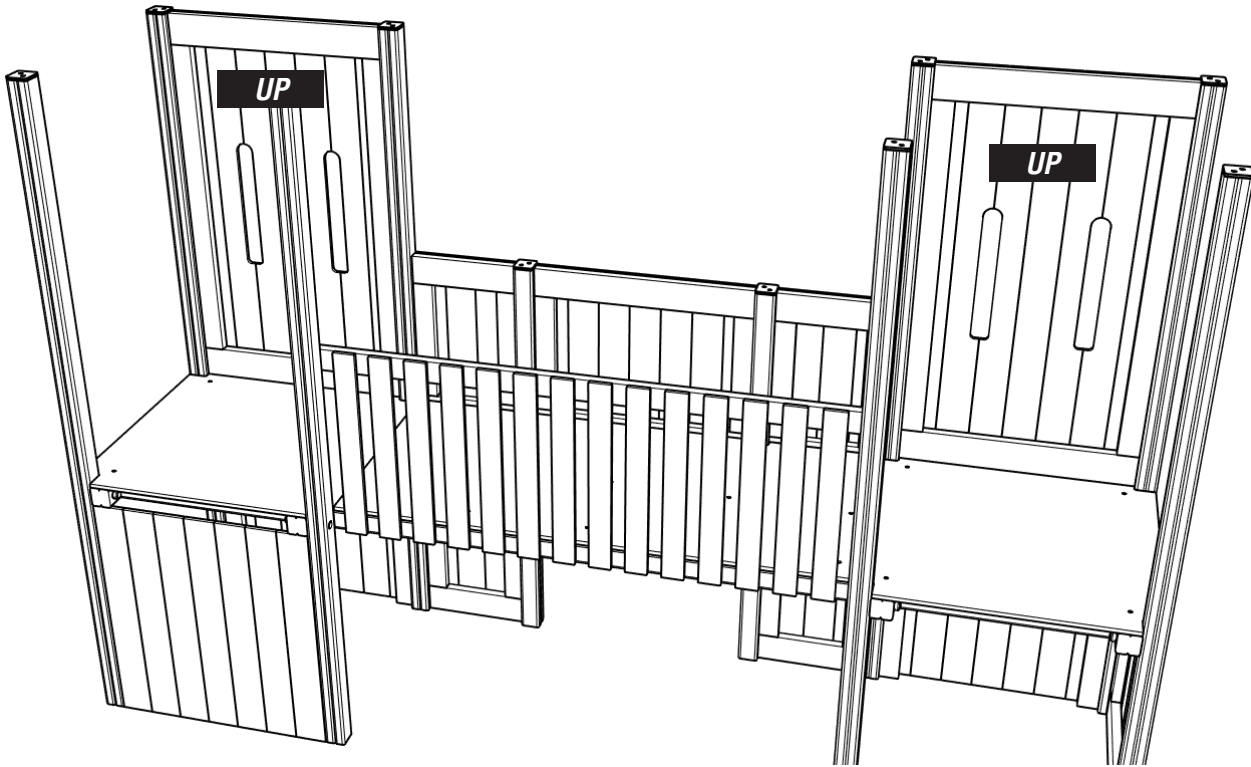
LOWER PANELS MUST SIT BELOW PLATFORM 90X90 TIMBERS (SEE DOTTED LINE)

ENSURE PANELS SIT FLUSH WITH UPRIGHT PLANE FACES

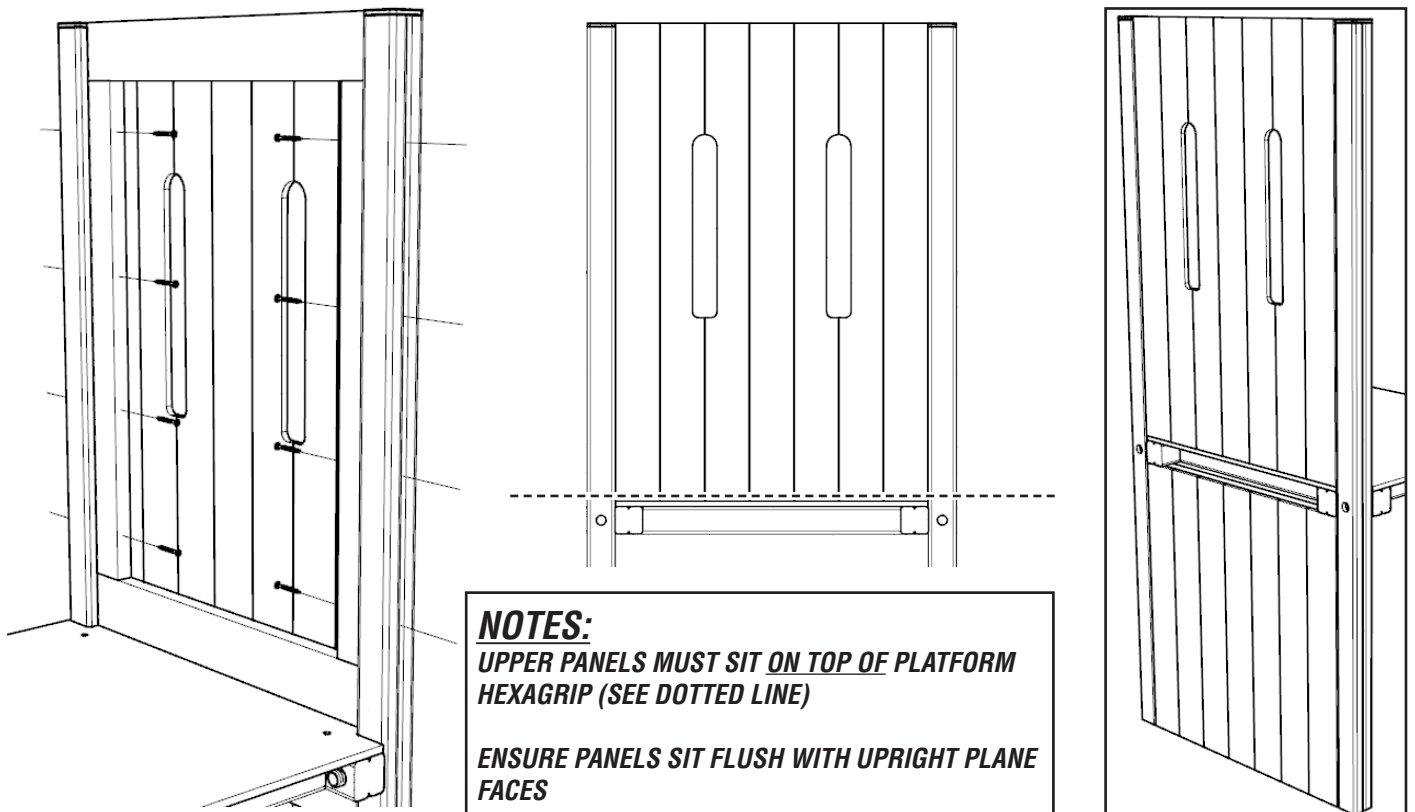


# INSTALLATION INSTRUCTIONS

## 13 POSITION ALL UPPER CLADDING PANELS UP



## 14 ATTACH UPPER CLADDING PANELS... USING 8X M8X180MM WOOD SCREWS - 4X PER SIDE FOR EACH PANEL IN LOCATIONS SHOWN

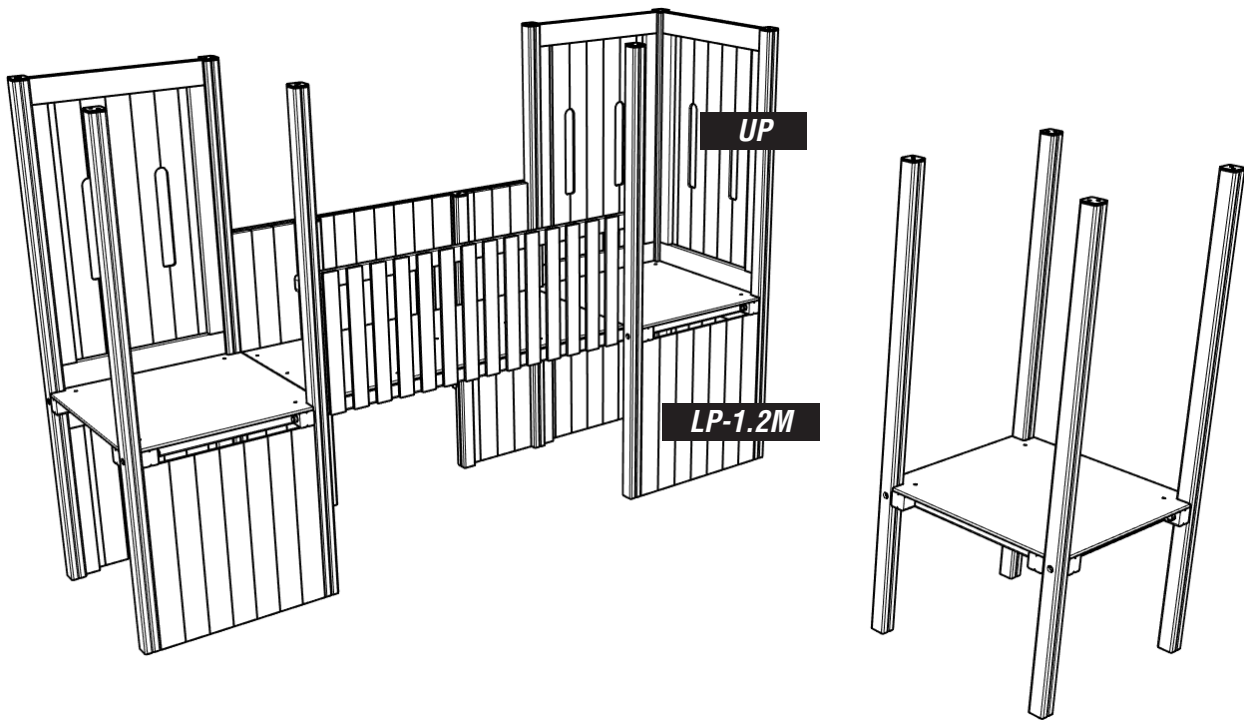




# INSTALLATION INSTRUCTIONS

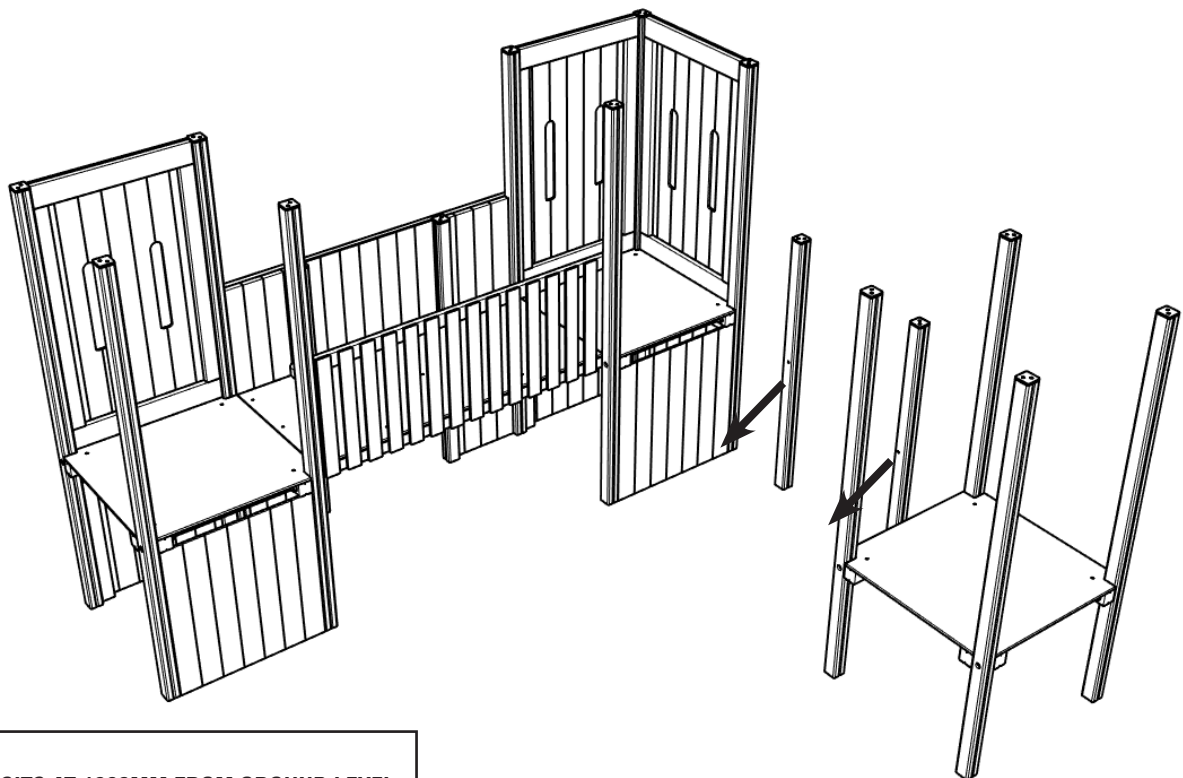
**15**

**POSITION REMAINING UPPER AND LP-1.2M CLADDING PANELS  
USING 16X M8X180MM WOOD SCREWS**



**16**

**INSTALL NET CROSSING UPRIGHT TIMBERS  
ENSURE THE HOLES ARE IN THE DIRECTION SHOWN**



**NOTES:**

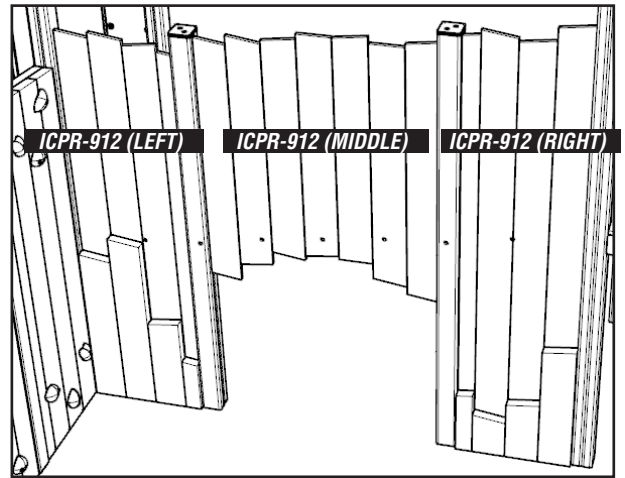
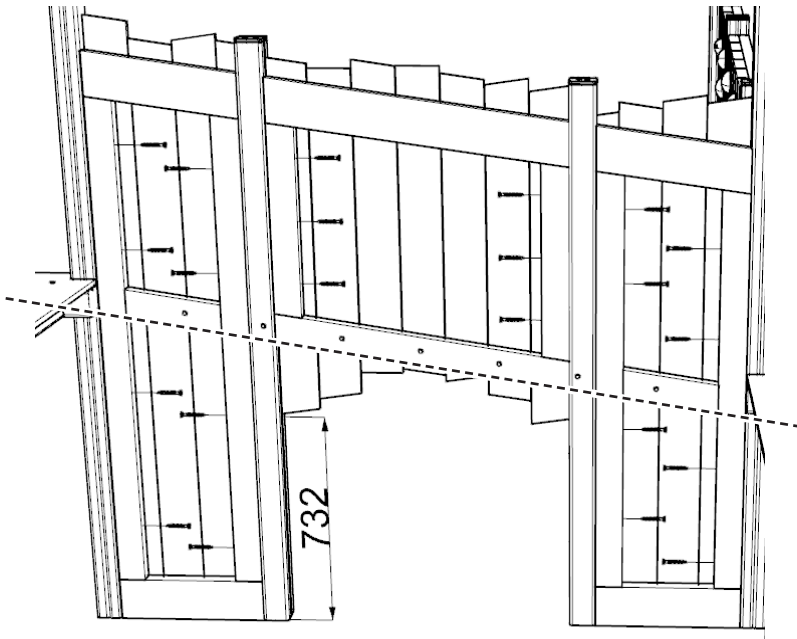
**\*ICPR-912a SITS AT 1980MM FROM GROUND LEVEL**

**\*ICPR-912b SITS AT 1850MM FROM GROUND LEVEL**

# INSTALLATION INSTRUCTIONS

**17**

**INSTALL THE ICPR PANELS (LEFT / MIDDLE / RIGHT)**  
USING 22X M8X180MM WOOD SCREWS

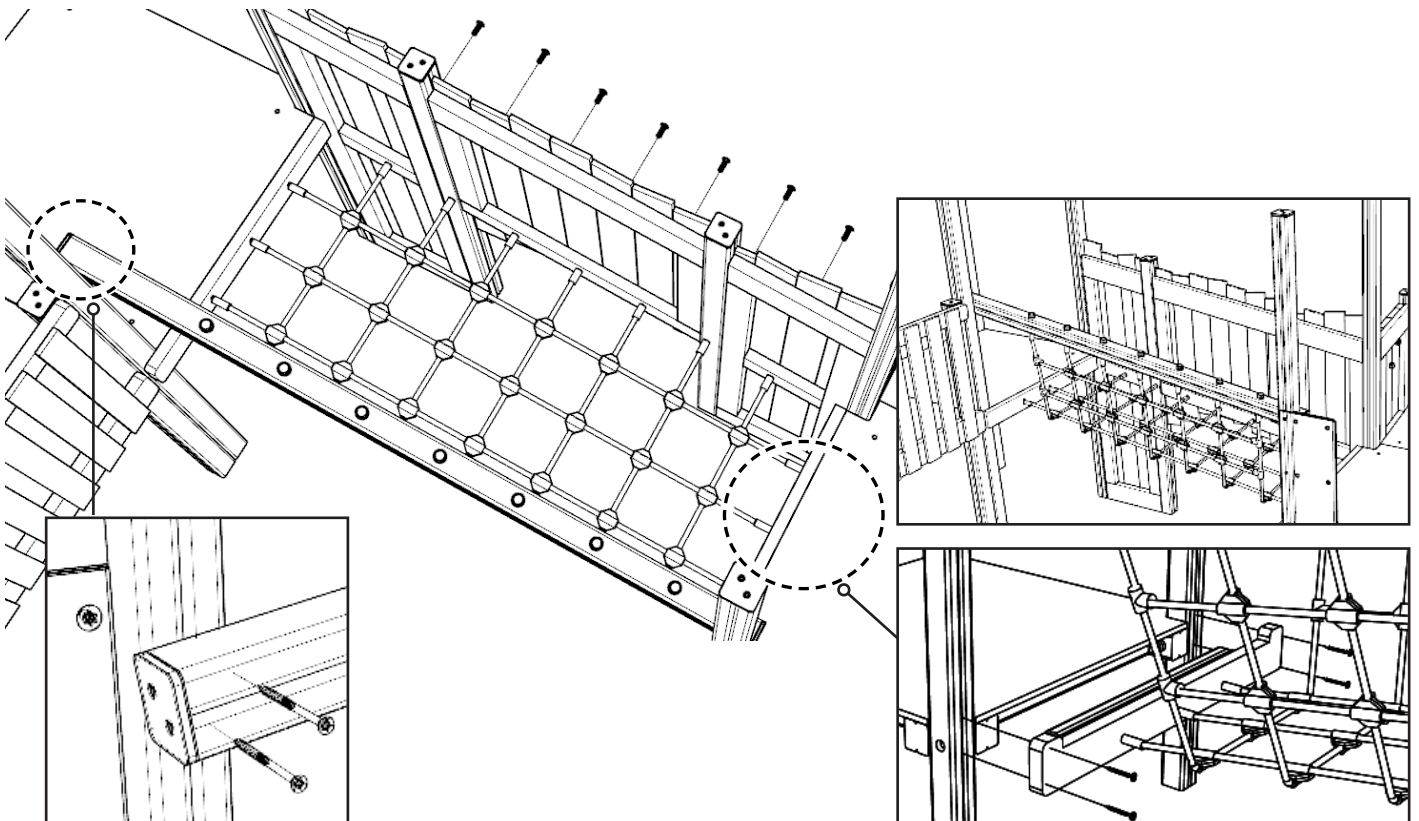


**NOTES:**

ENSURE MIDDLE PANEL IS POSITIONED AT DIMENSION SHOWN, ALL PANEL FRAMES MUST BE IN-LINE (SEE DOTTED LINE)

**18**

**ATTACH NET CROSSING PRE-ASSEMBLY TO ICPR PANELS**  
USING SOCKET NUTS & M8X180MM WOOD SCREWS (FOR THE HANDRAIL)

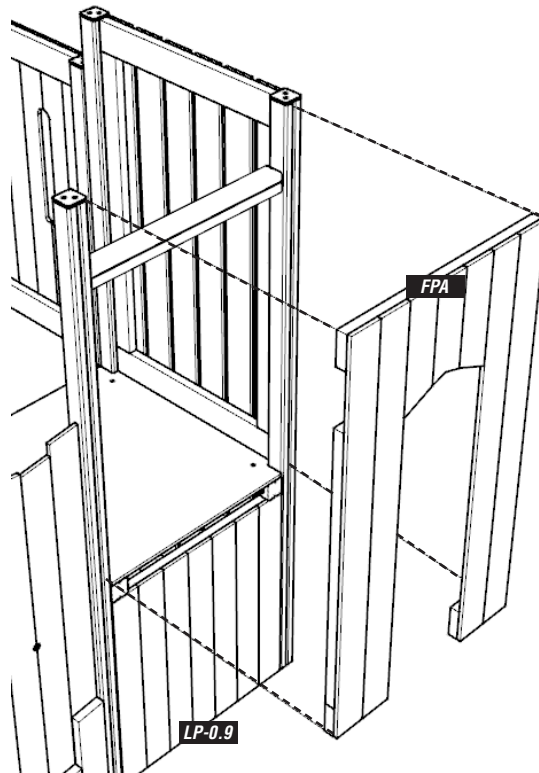


# INSTALLATION INSTRUCTIONS

**19**

**ATTACH FPA CLADDING PANEL & LP-0.9**

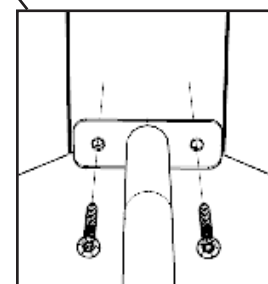
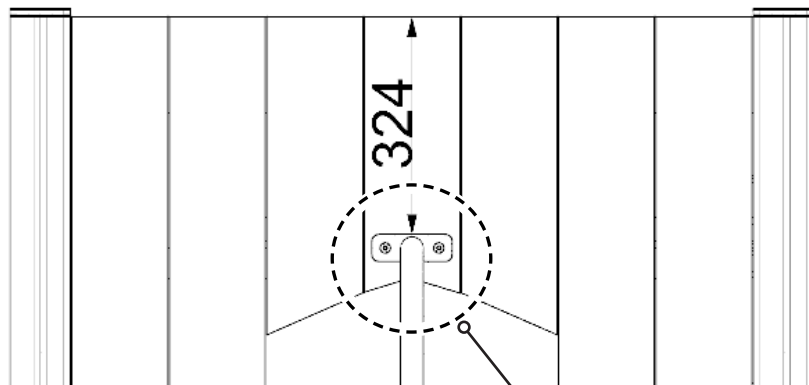
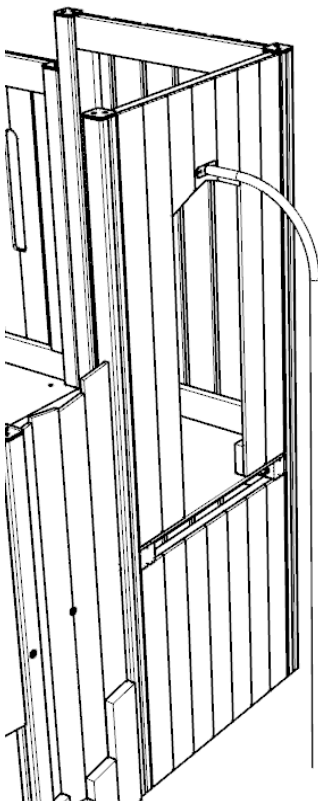
USING 8X M8X180MM WOOD SCREWS - 4X PER SIDE (PER PANEL)



**20**

**ATTACH FIREFIGHTERS POLE TO FPA PANEL AT DIMENSIONS SHOWN**

USING 2X M8X80MM WOOD SCREWS



**NOTES:**

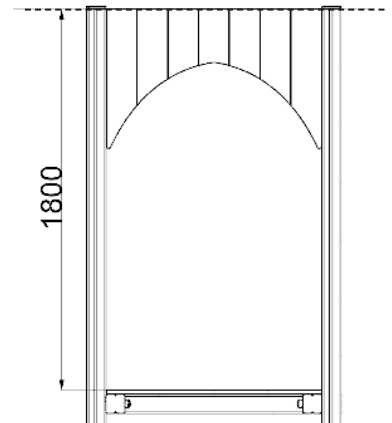
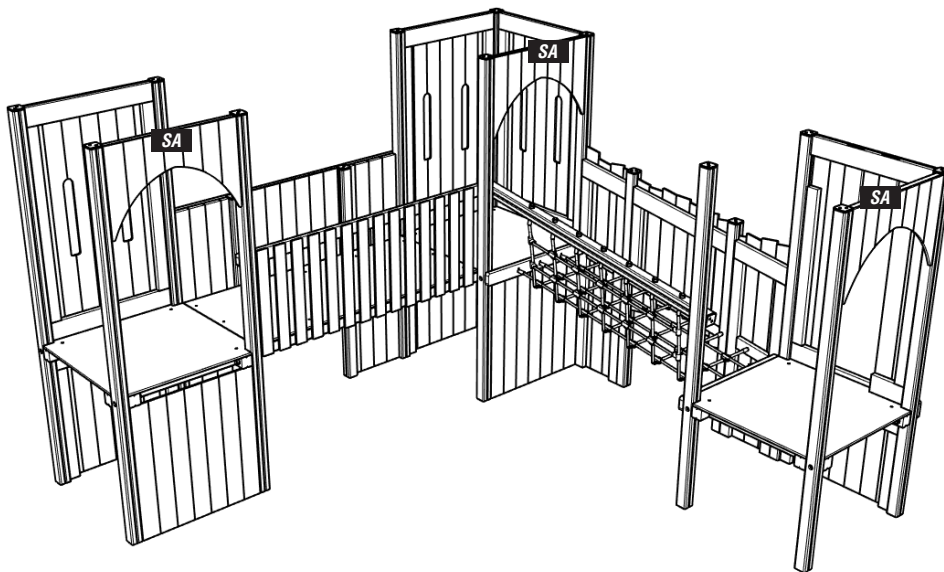
FIREFIGHTERS POLE MUST SCREW THROUGH THE PANEL INTO THE 90X90 TIMBER SUPPORT

# INSTALLATION INSTRUCTIONS

**21**

**ATTACH SA PANELS TO TOP OF TOWERS AT DIMENSIONS SHOWN**

USING 6X M8X180MM WOOD SCREWS - 2X PER SIDE FOR EACH PANEL IN LOCATIONS SHOWN



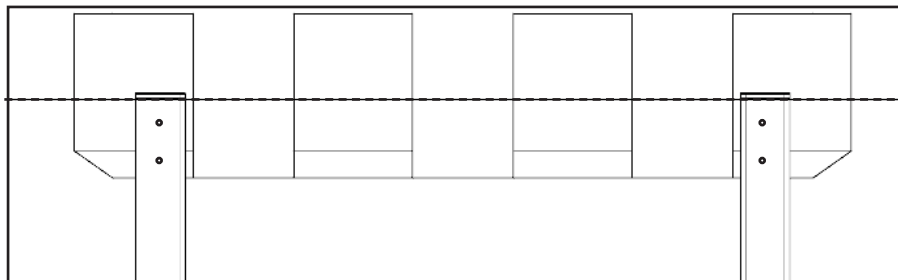
**NOTES:**

SA PANELS MUST SIT FLUSH WITH TOP OF UPRIGHT TIMBER - NOT END CAPS! (SEE DOTTED LINE)

**22**

**ATTACHING SCT TURRET TRIP PIECES, SEE NEXT STEP FOR LOCATIONS...**

USING 8X M8X180MM WOOD SCREWS - 2X PER SIDE FOR EACH PANEL IN LOCATIONS SHOWN



**NOTES:**

SCT TURRET BACK BOARD MUST SIT FLUSH WITH TOP OF UPRIGHT TIMBER - NOT END CAPS! (SEE DOTTED LINE)

TRIM WILL ALSO SIT FLUSH WITH TOP OF ANY UPPER PANELS - SEE FIG 1

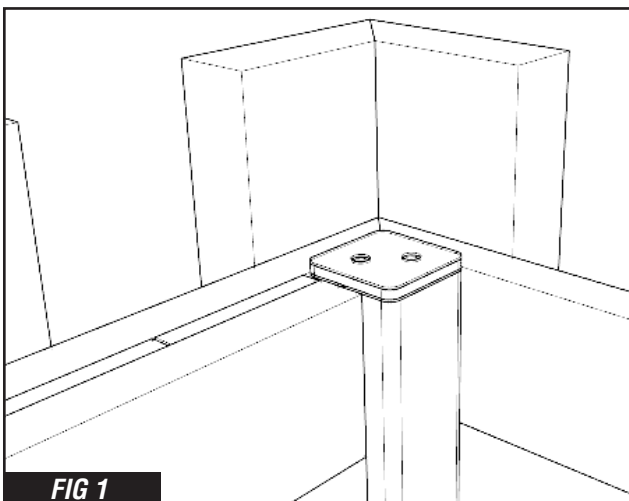


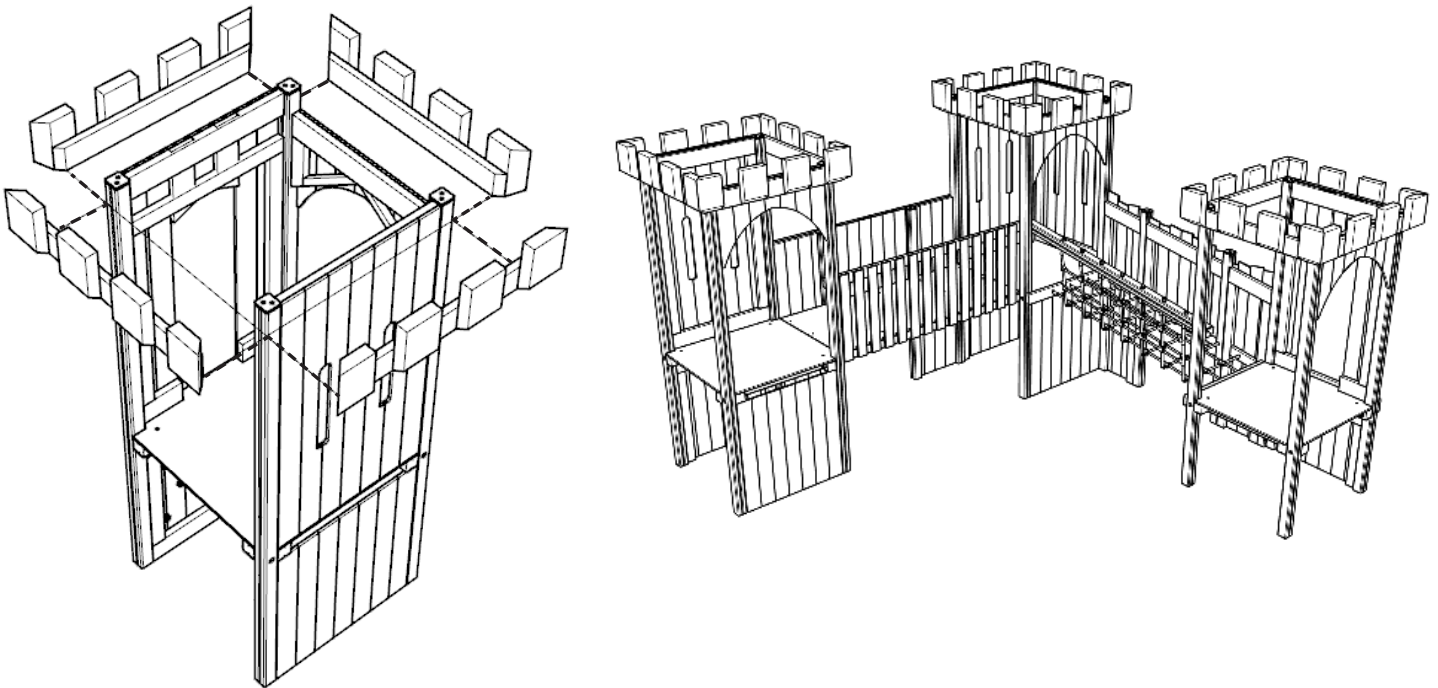
FIG 1

SCT TURRET BACKBOARD

# INSTALLATION INSTRUCTIONS

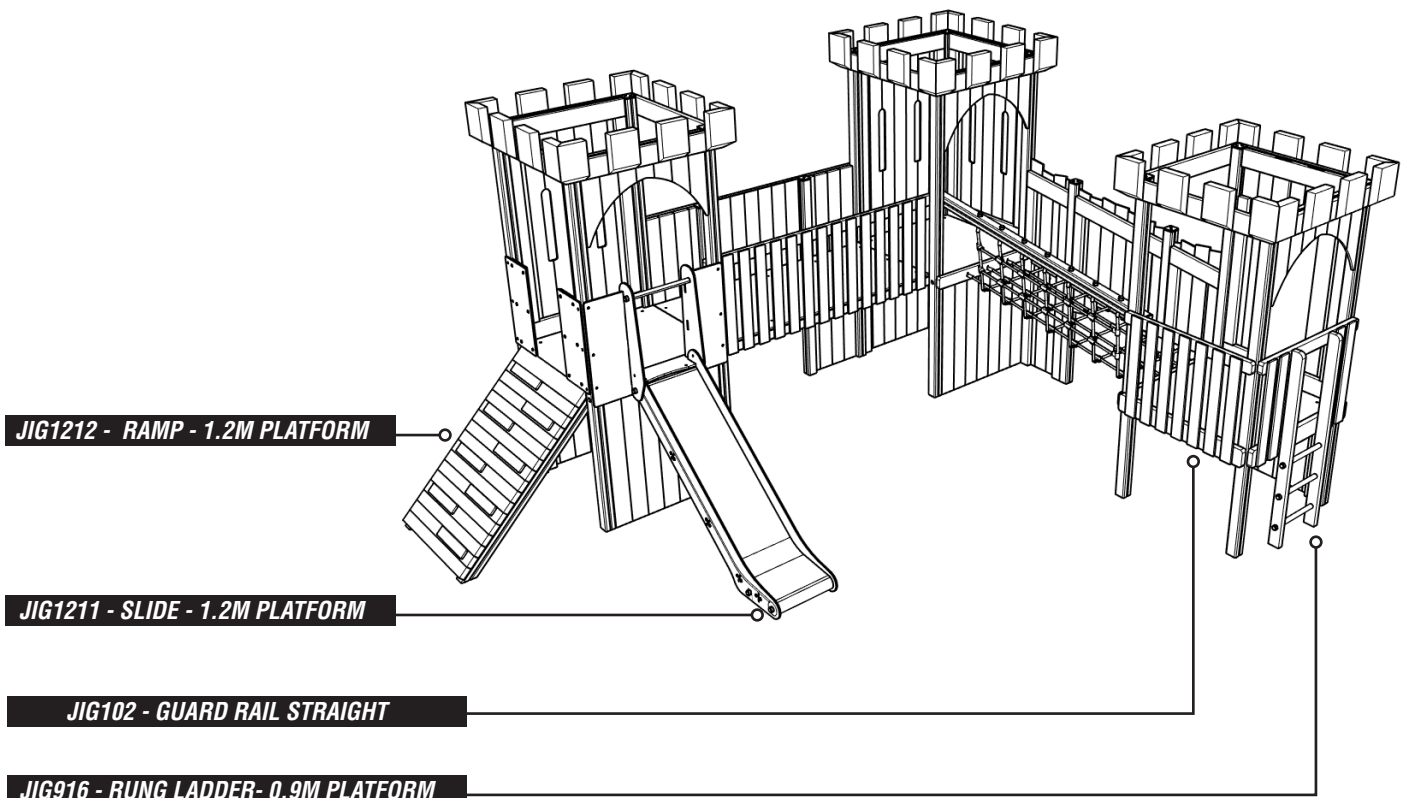
**23**

**ATTACH SCT TRIM PIECES TO BOTH TOWERS**  
POSITION AND ATTACH AS DESCRIBED ON PREVIOUS STEP



**24**

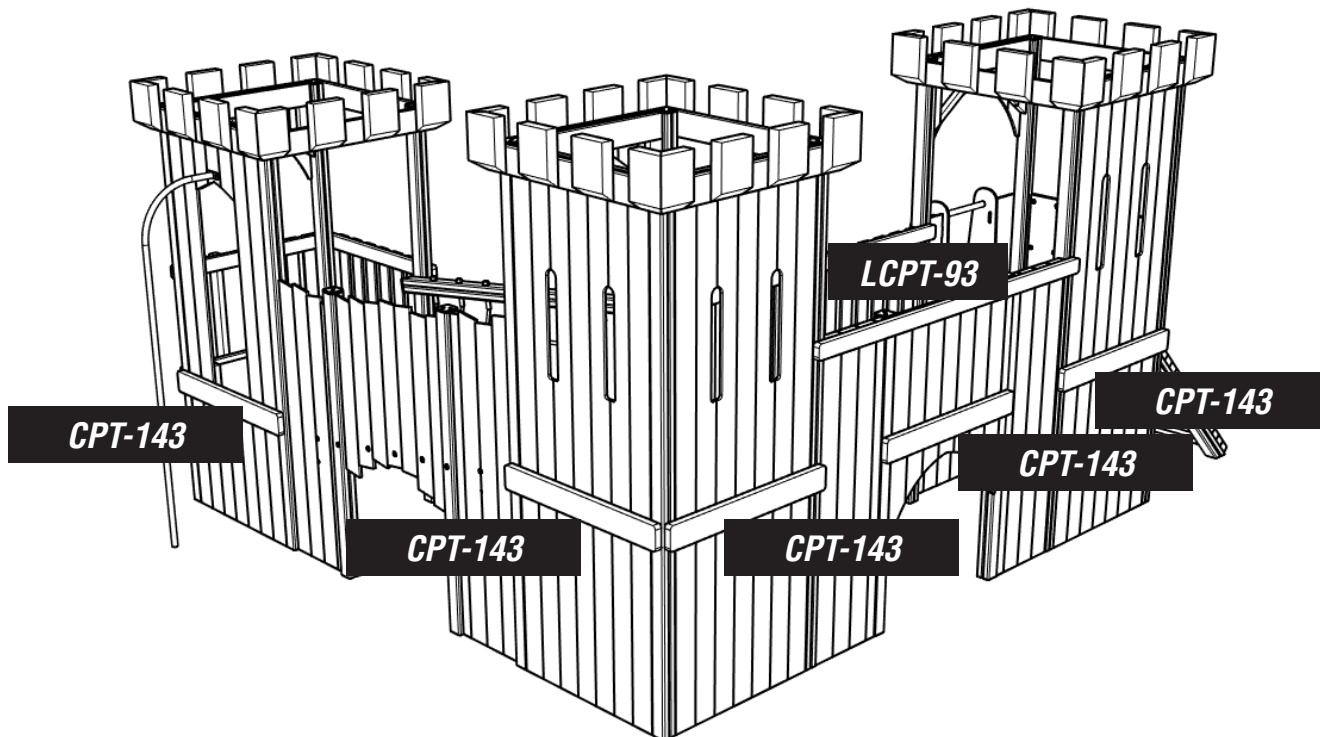
**INSTALL STANDARD JIGSAW PARTS IN LOCATIONS SHOWN**  
USING STANDARD JIGSAW INSTRUCTIONS & FIXINGS



# INSTALLATION INSTRUCTIONS

**21**

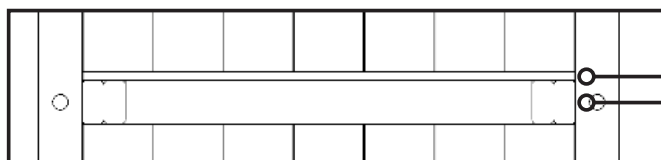
**ATTACH CPT-143 & LCPT-93 TRIM PIECES TO TOWERS IN LOCATIONS SHOWN POSITION AND ATTACH AS DESCRIBED ON NEXT STEP**



**22**

**ATTACHING CPT CENTRE TRIM PIECES**

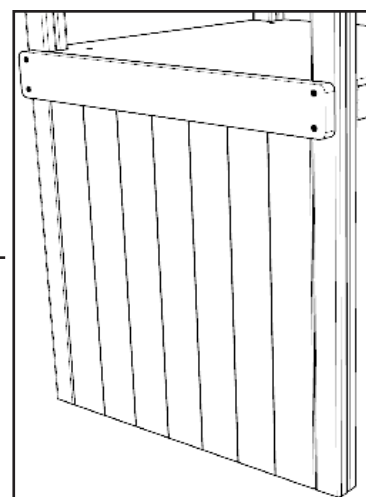
**USING 4X M8X80MM WOOD SCREWS - 2X PER SIDE FOR EACH PANEL - SCREW INTO UPRIGHTS**



**UPPER = ABOVE HEXAGRIP FLOOR**

**LOWER = BELOW PLATFORM 90X90'S**

**GAPS BETWEEN UPPER AND LOWER PANELS MUST LOOK LIKE THIS BEFORE ATTACHING ANY CPT TRIM PIECES**



## NOTES:

**TOP OF CPT TRIM PIECES MUST SIT FLUSH WITH PLATFORM HEXAGRIP FLOOR - SEE ABOVE  
ENSURE SCREWS SIT EITHER SIDE OF THE PLATFORM BOLT COUNTERSINKS - SEE ABOVE**

# ***ADDITIONAL DIMENSIONS***

---