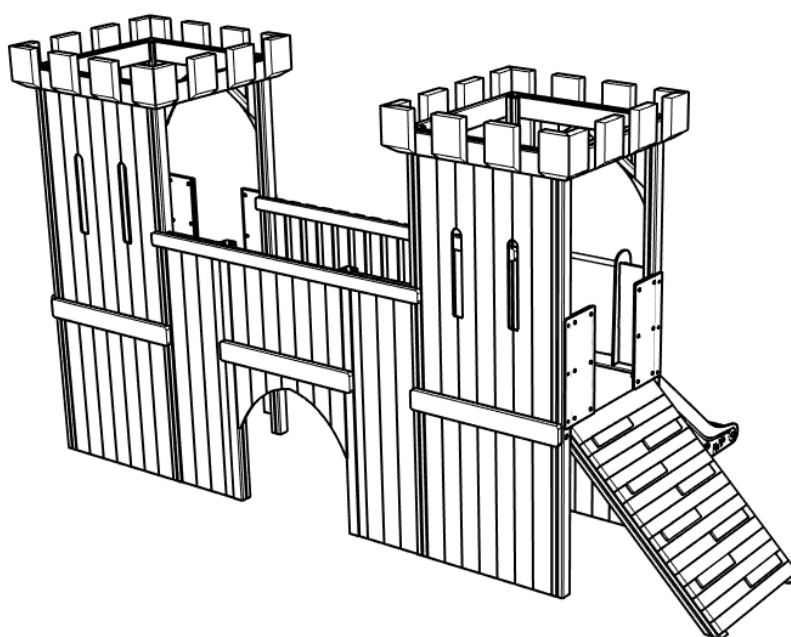
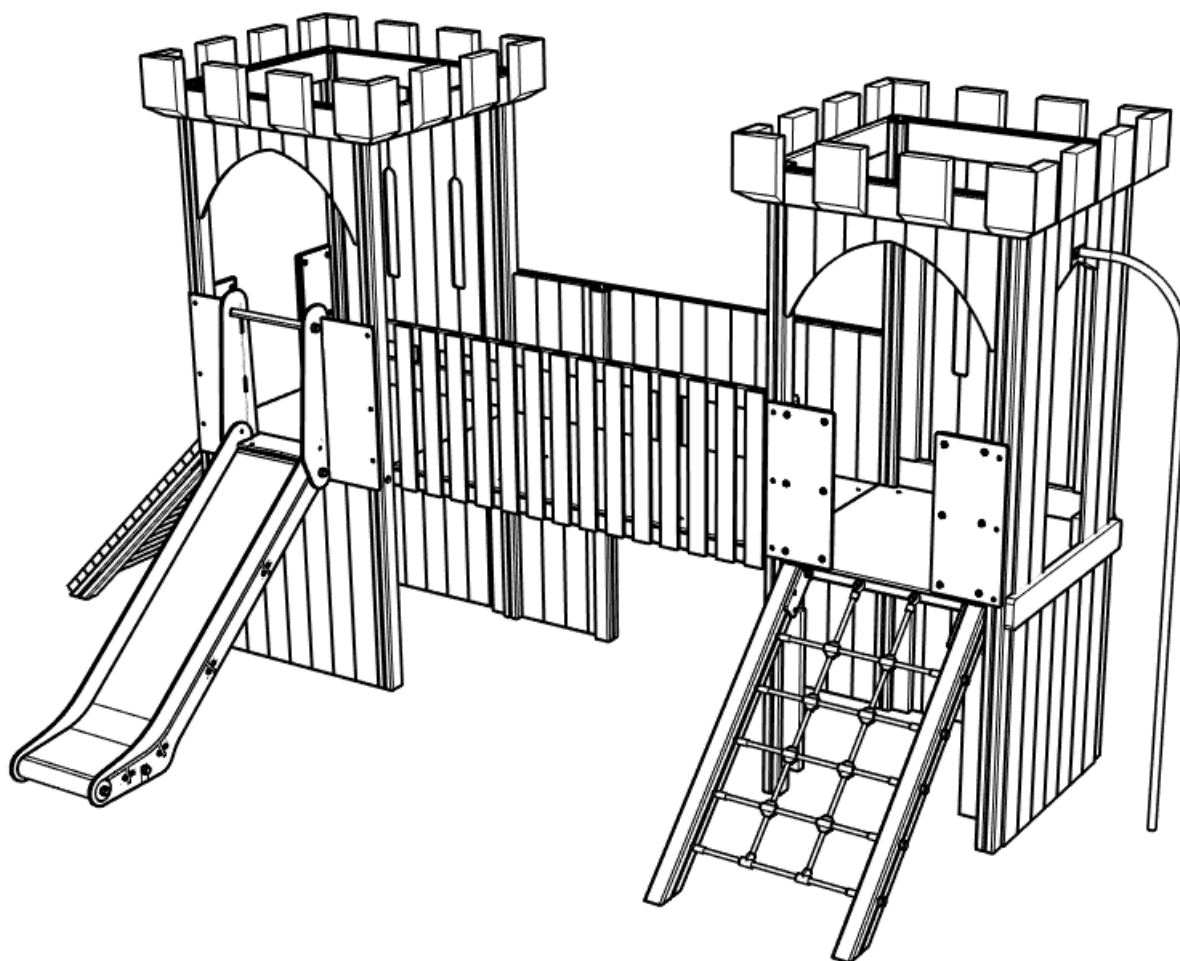


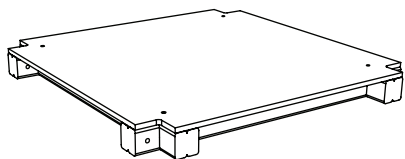
CAS102 - DOVER CASTLE

Installation Instructions

**creative
play**

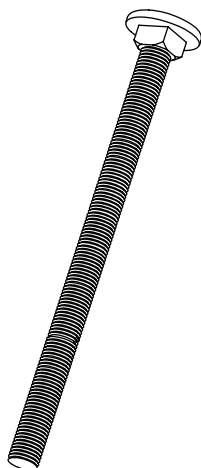


PARTS REQUIRED



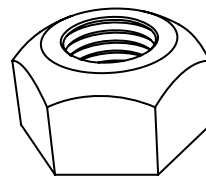
x4

JIGSAW FLOOR ASSEMBLY



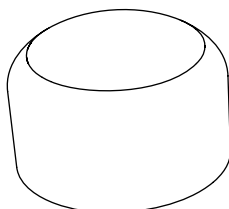
x8

274.M12X180



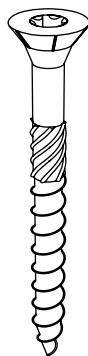
x8

656.M12



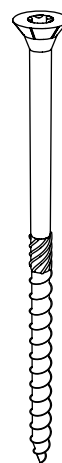
x8

102003-01



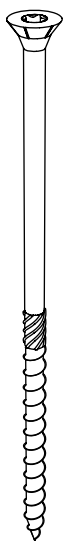
x30

97.M8X80CSK



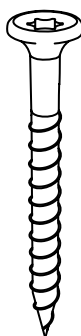
x20

97.M8X120CSK



x140

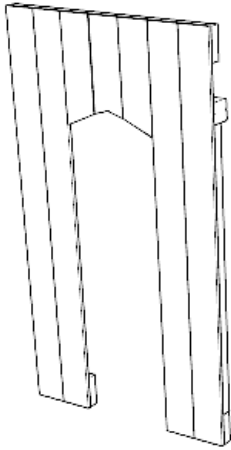
97.M8X180CSK



x60

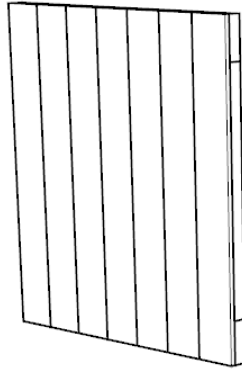
97.M6X40CSK

PARTS REQUIRED



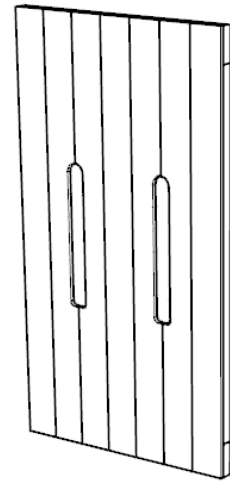
x1

FPA (FIREFIGHTERS POLE)



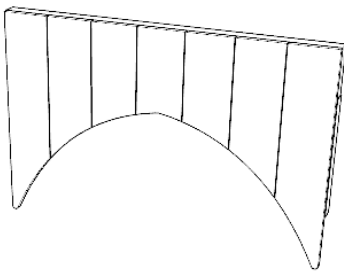
x4

LP-1.2M



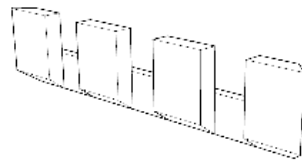
x2

UP



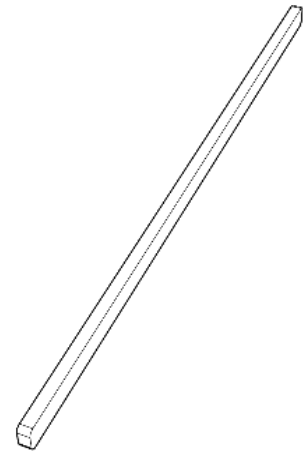
x2

SA



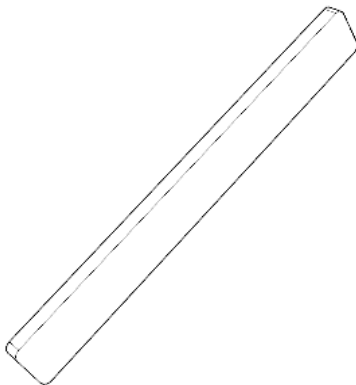
x8

SCT - STANDRAD CASTLE TRIM



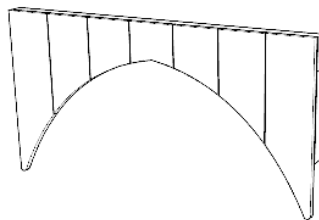
x2

LCPT - 93



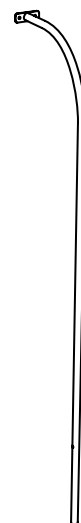
x4

CPT-143



x1

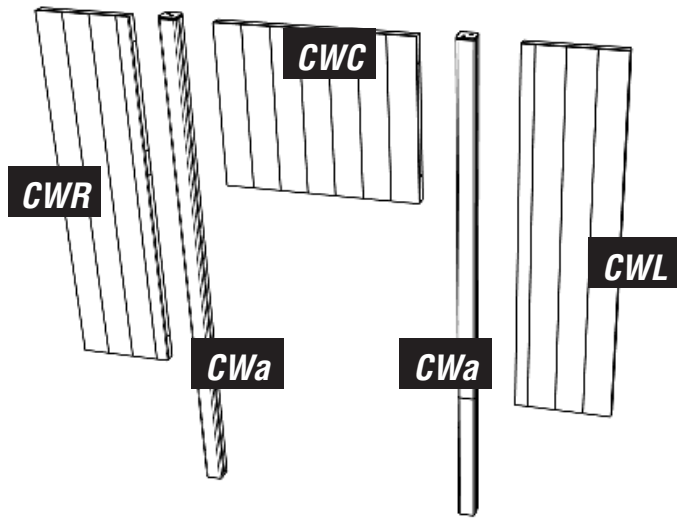
GTA



x1

FIREFIGHTERS POLE

PARTS REQUIRED

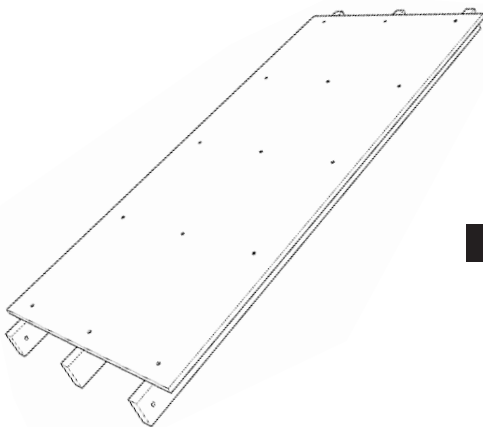


CASTLE WALKWAY PANELS / TIMBERS



x14

TIMBER SLATS (JIG208-B)



x2

FLOOR ASSEMBLY



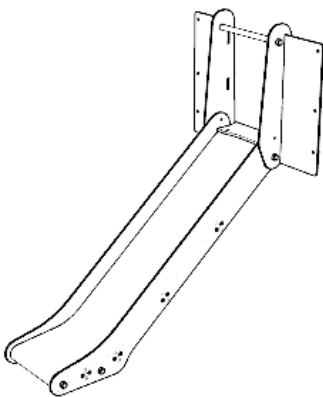
x1

JIG208-A



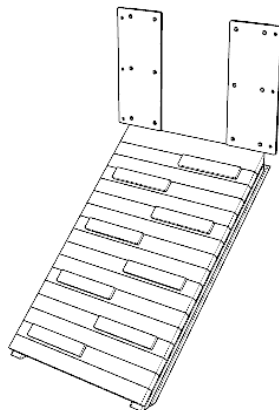
x1

JIG208-C



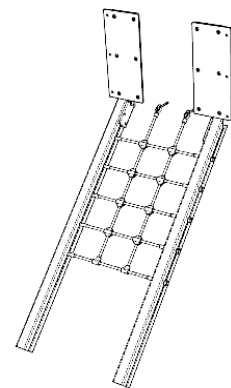
X1 .inc standard fixings

JIGSAW STANDARD PART
JIG1211 - SLIDE - 1.2M



.inc standard fixings

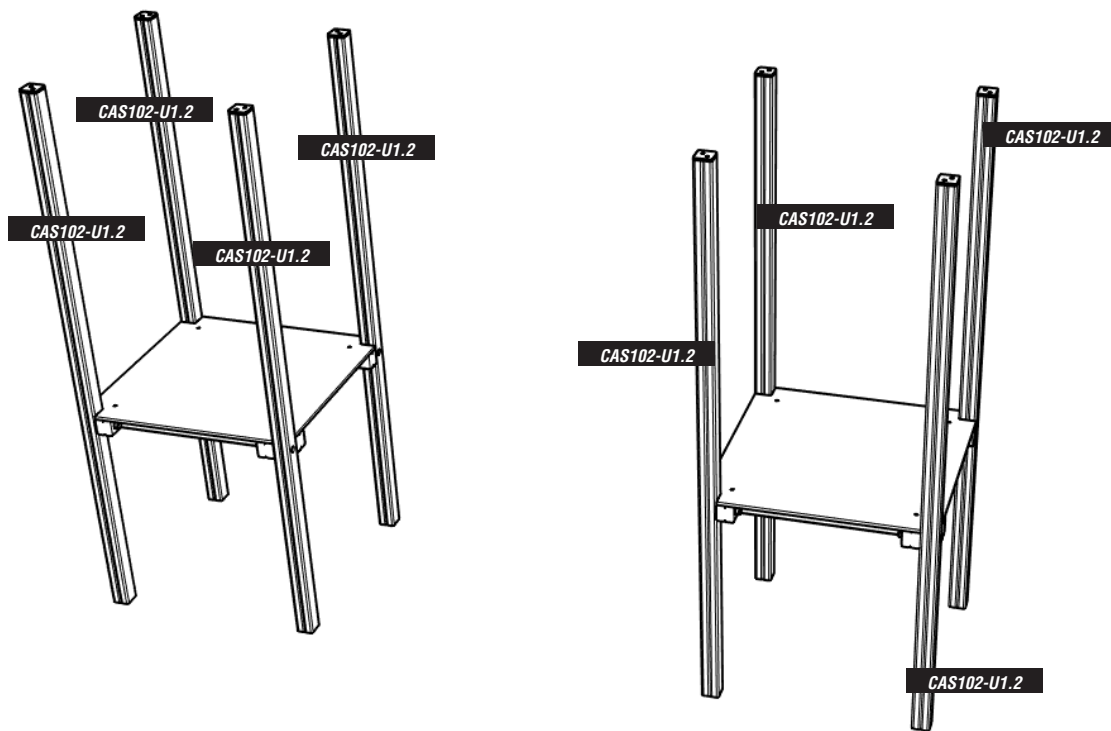
JIGSAW STANDARD PART
JIG1213 - RAMP - 1.2M



.inc standard fixings

JIGSAW STANDARD PART
JIG1214 - NET CLIMBER - 1.2M

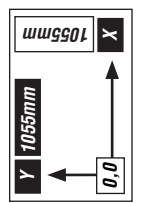
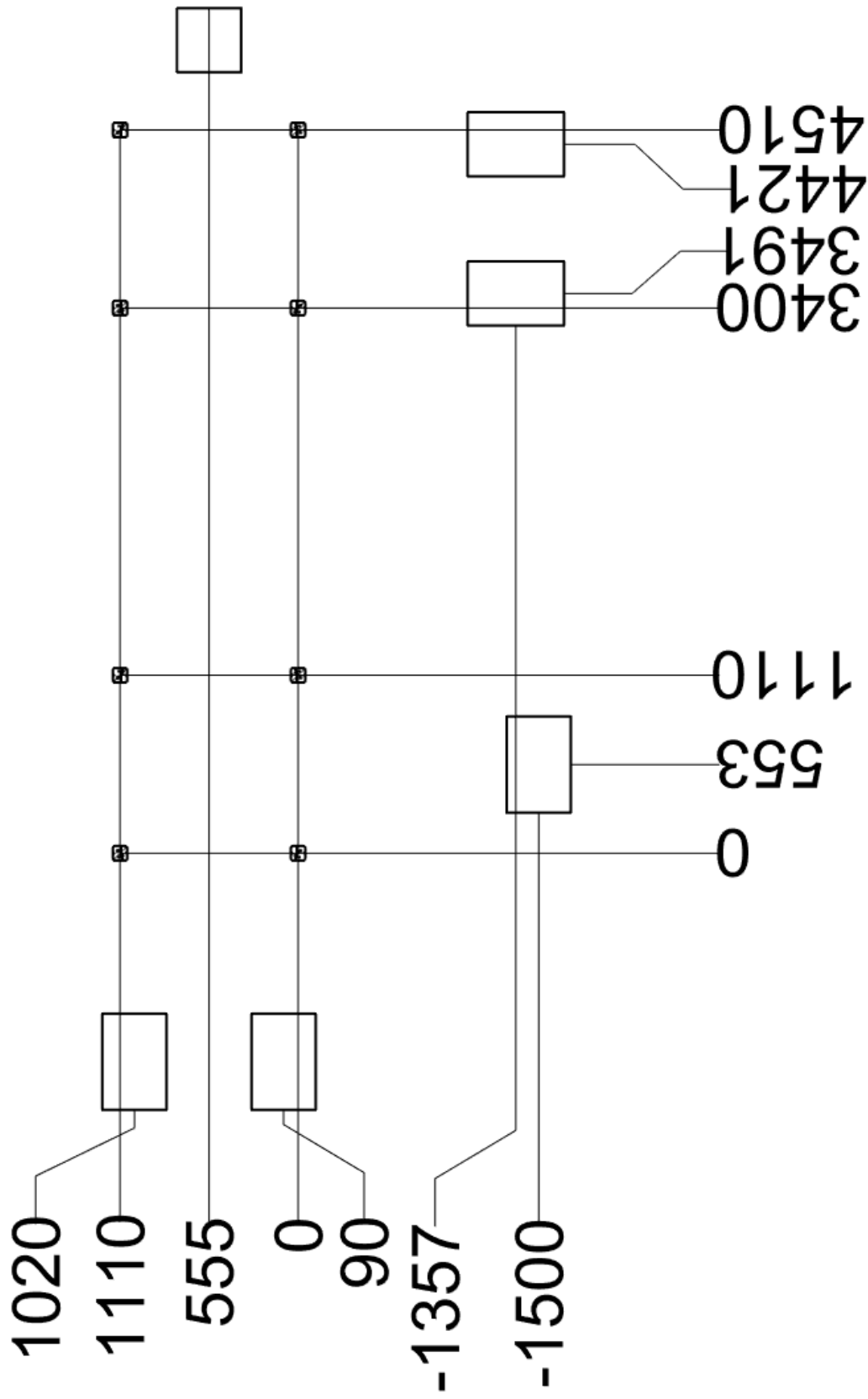
PARTS REQUIRED - CASTLE UPRIGHT TIMBERS



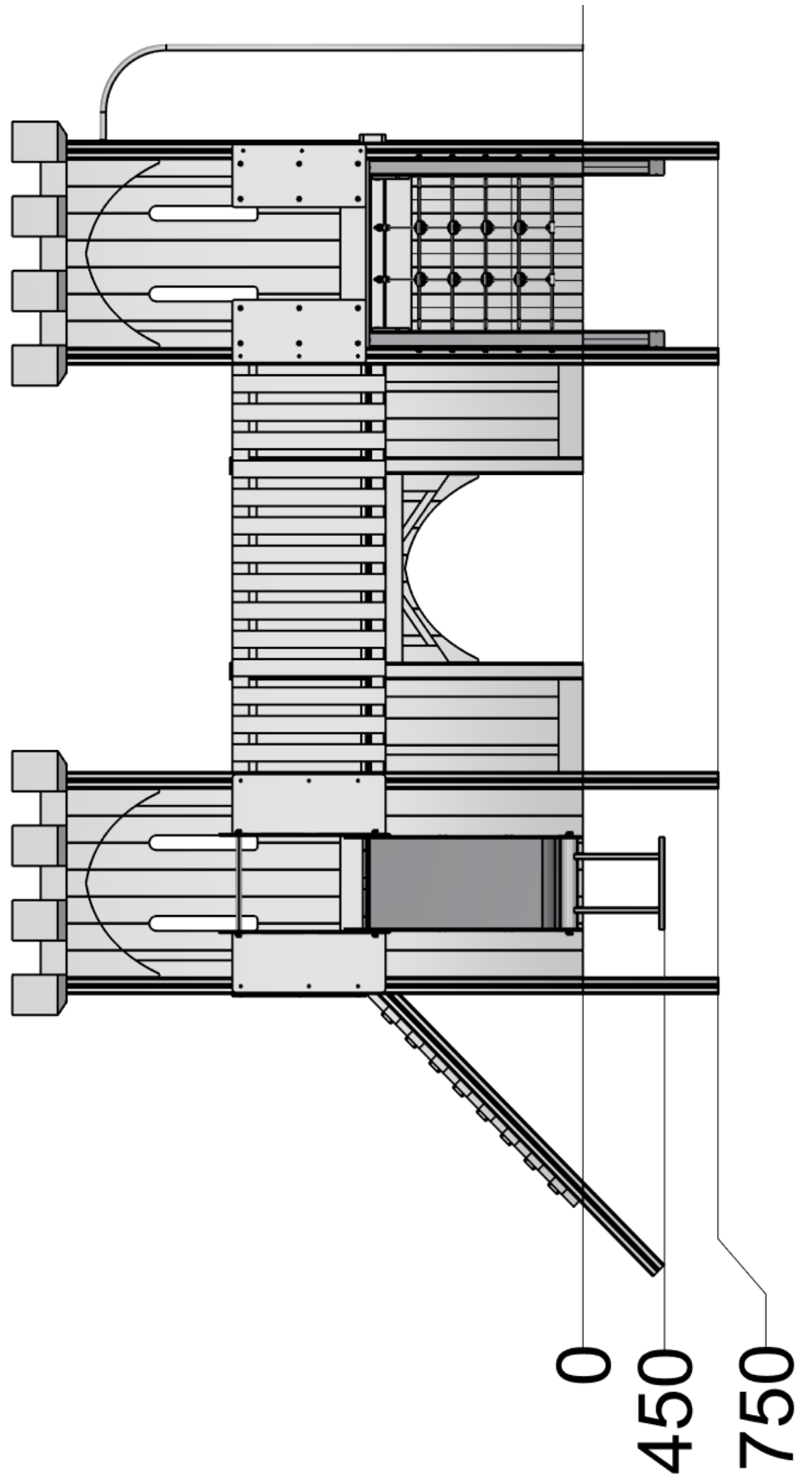
x8

CAS102-U1.2

FOUNDATION DETAILS

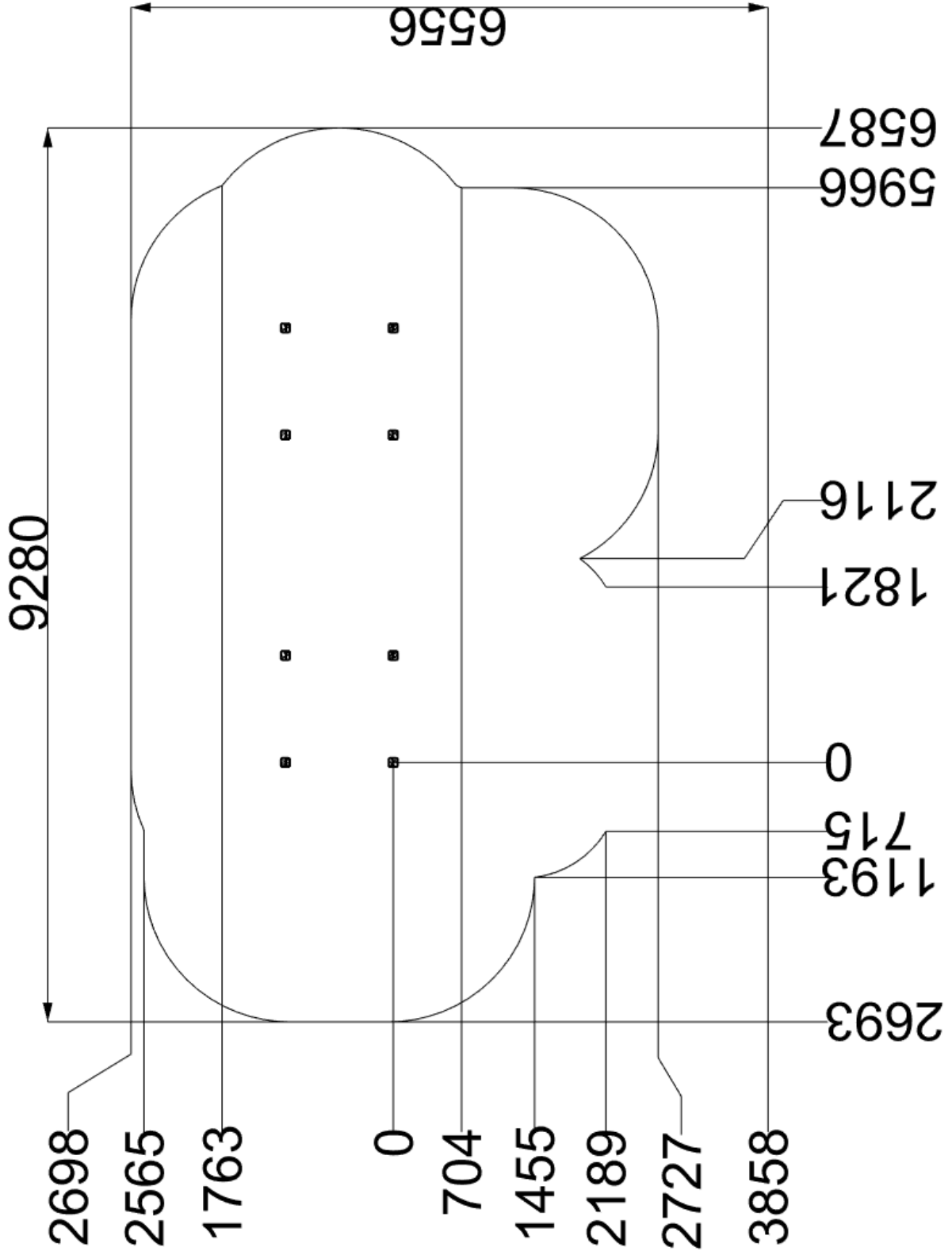


FOUNDATION DETAILS



SURFACING DETAILS

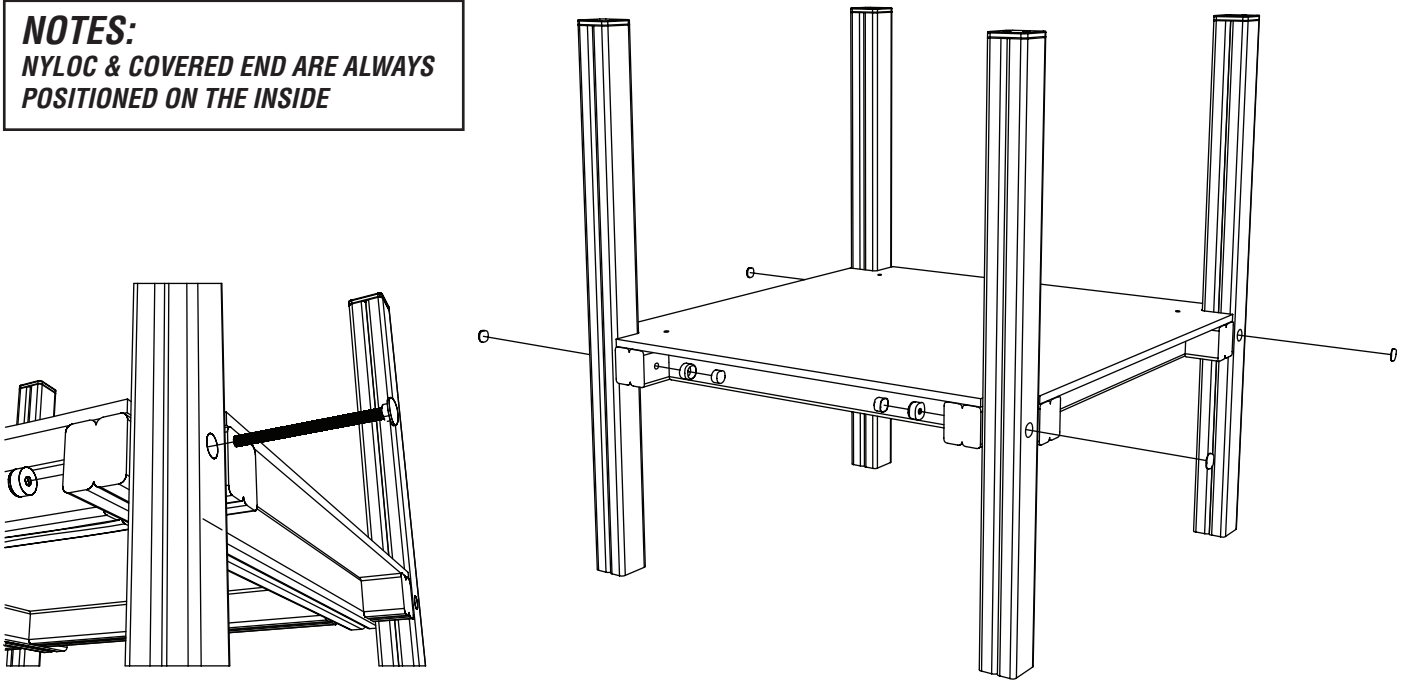
----- = MINIMUM SPACE
————— = SURFACE AREA



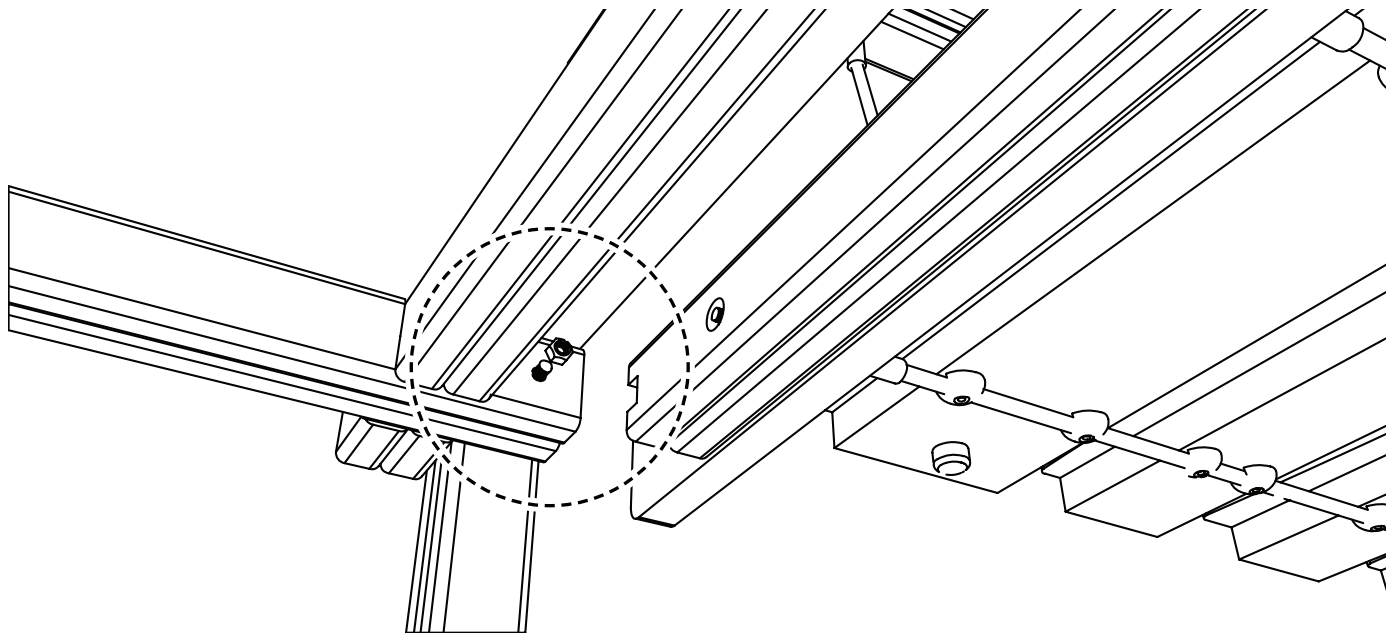
INSTALLATION INSTRUCTIONS

1 ATTACH FLOOR ASSEMBLY TO UPRIGHT TIMBERS - SEE NEXT PAGE USING 274.M12X180 / 656.M12 / 102003-01 - QUANTITY X 4

NOTES:
NYLOC & COVERED END ARE ALWAYS
POSITIONED ON THE INSIDE



2 PLEASE NOTE - END CAPS MAY NOT BE REQUIRED SOME ATTACHMENT PARTS MEANS END CAPS ARE NOT REQUIRED

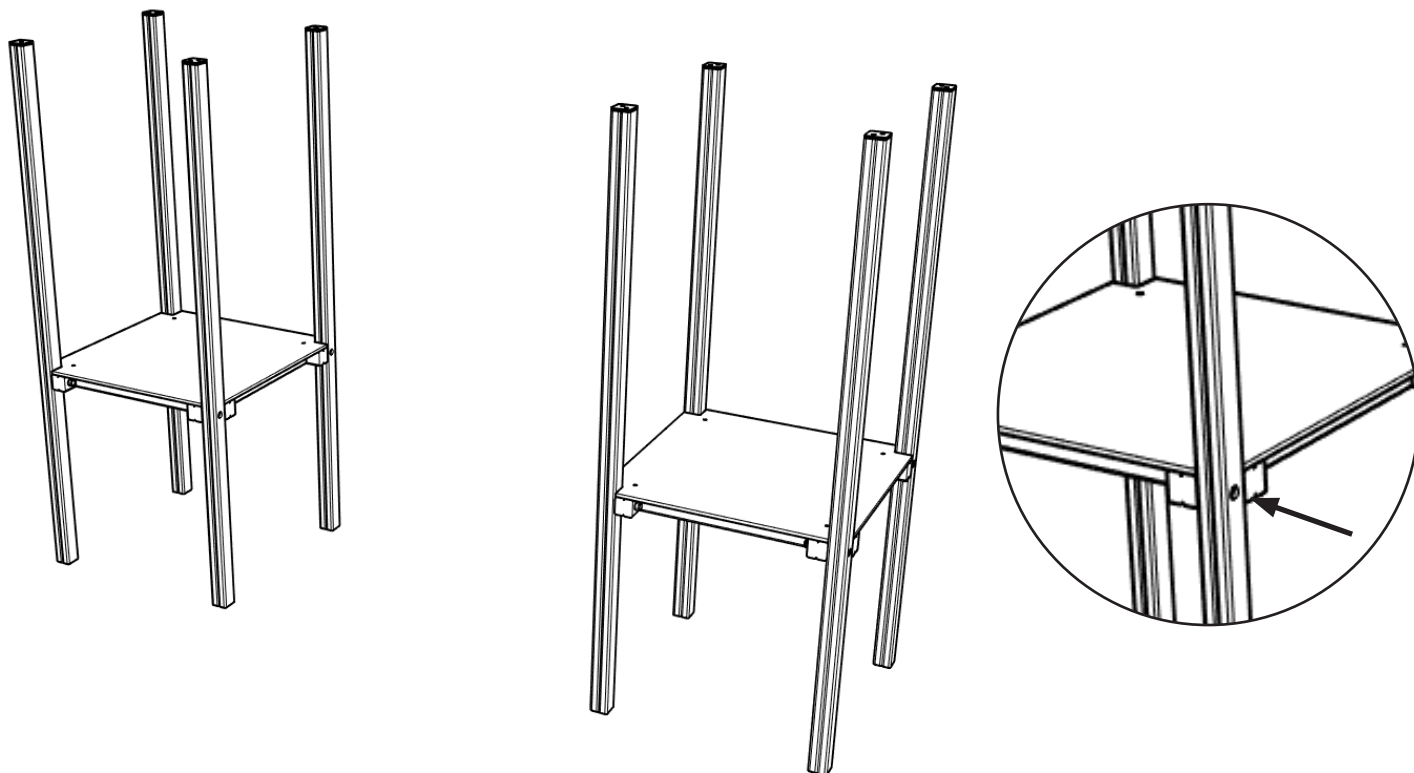


NOTES:
TIMBER SUPPORT IS CUT TO FIT AROUND THE NYLOC - CIRCLED ABOVE

INSTALLATION INSTRUCTIONS

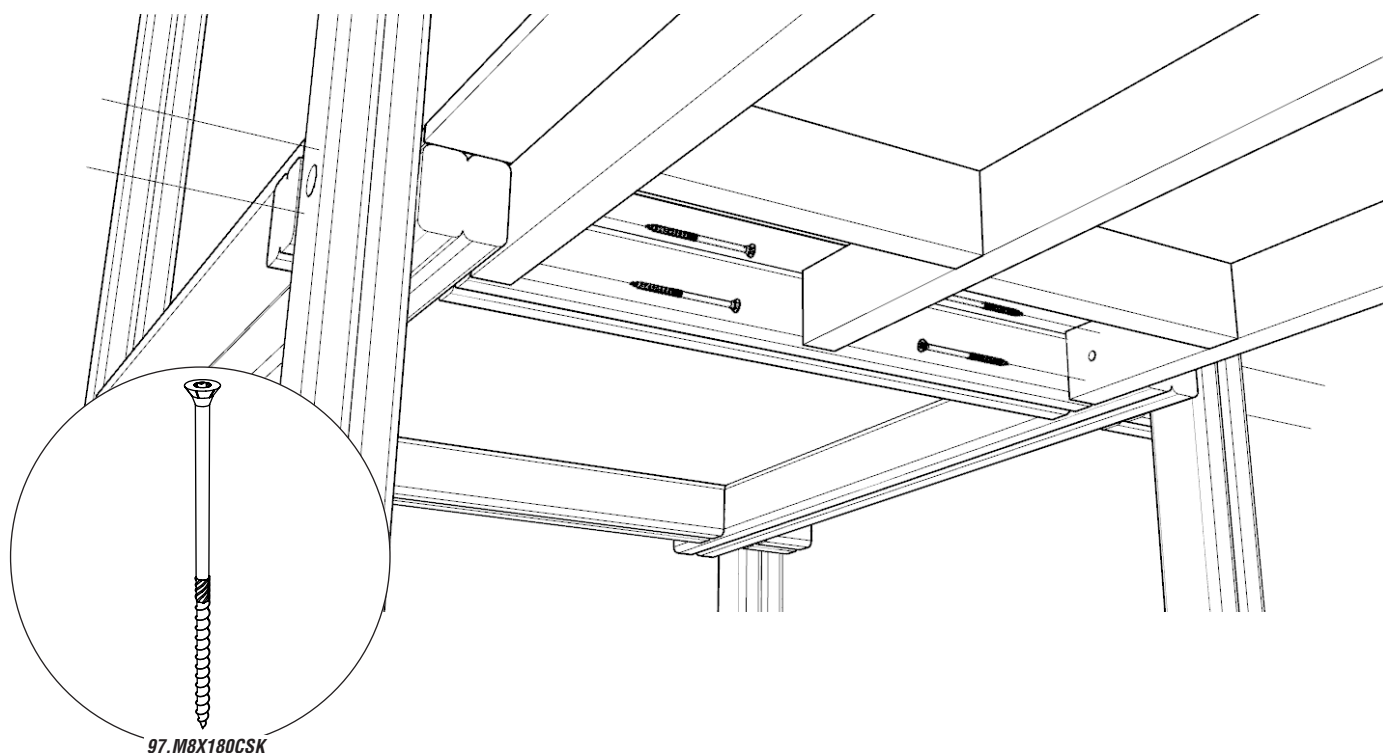
3

ENSURE COUNTERSUNK HOLES ARE AS SHOWN
DIRECTION OF HOLES HIGHLIGHTED BELOW



4

ATTACH THE CASTLE WALKWAY FLOOR
ATTACH USING 97.M8X180CSK



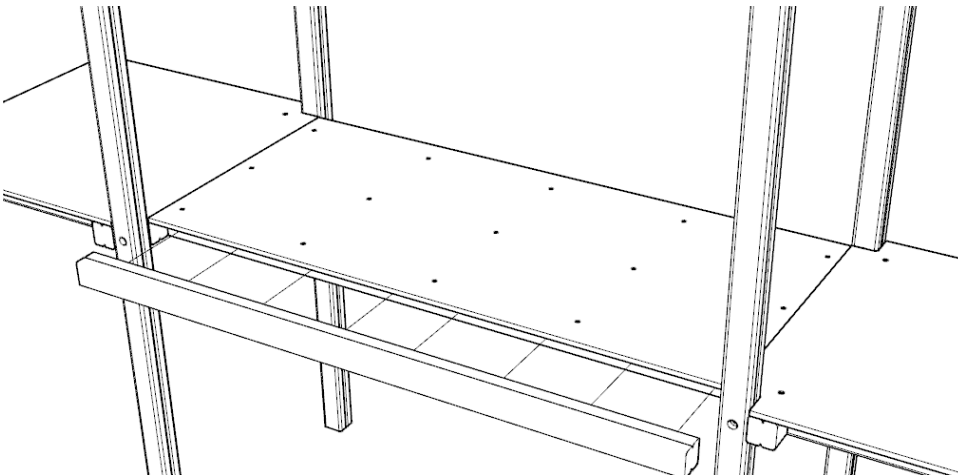
97.M8X180CSK

INSTALLATION INSTRUCTIONS

5

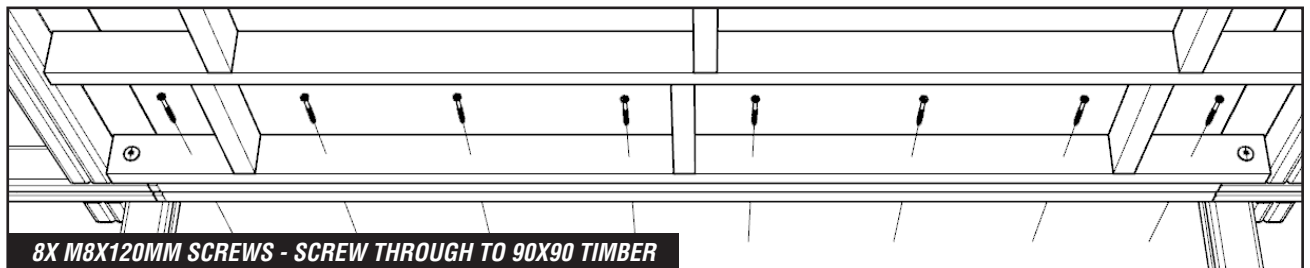
ATTACH THE 90X90 TIMBERS TO BOTH SIDES OF FLOOR ASSEMBLY

USING M8X120MM WOOD SCREWS, ENSURE IT IS SCREWED IN FROM INSIDE OF FLOOR ASSEMBLY



NOTES:

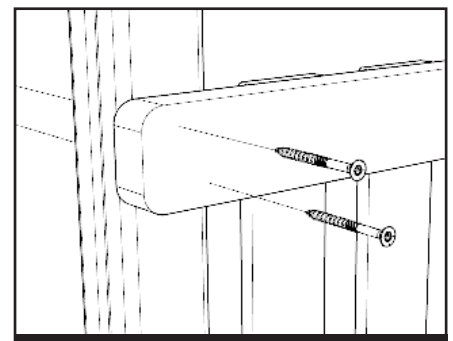
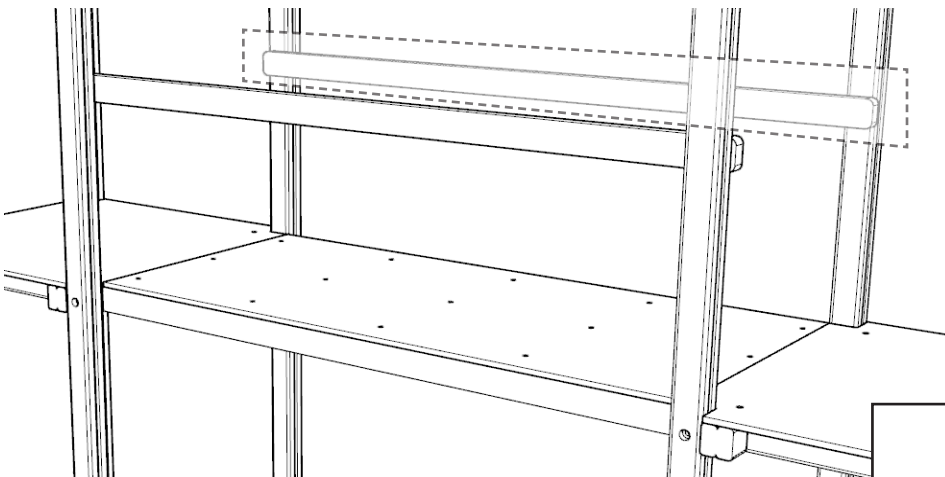
ENSURE 90X90 TIMBERS SITS BELOW THE HEXAGRIP FLOOR AND IS FLUSH WITH THE OUTER FACES OF JIGSAW UPRIGHT TIMBERS



6

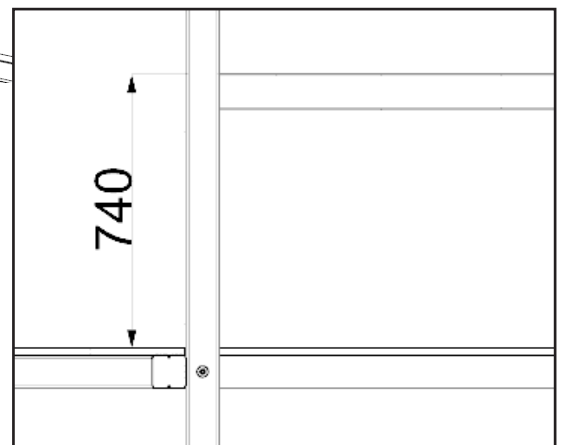
ATTACH HAND RAILS TO JIGSAW PLATFORM UPRIGHT TIMBERS

USING M8X80MM WOOD SCREWS



NOTES:

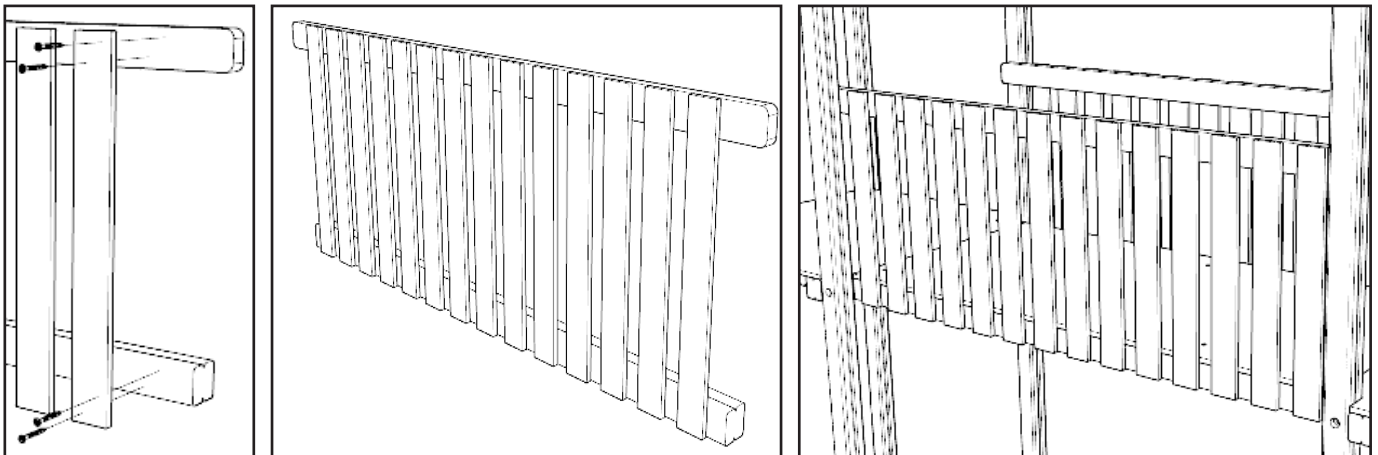
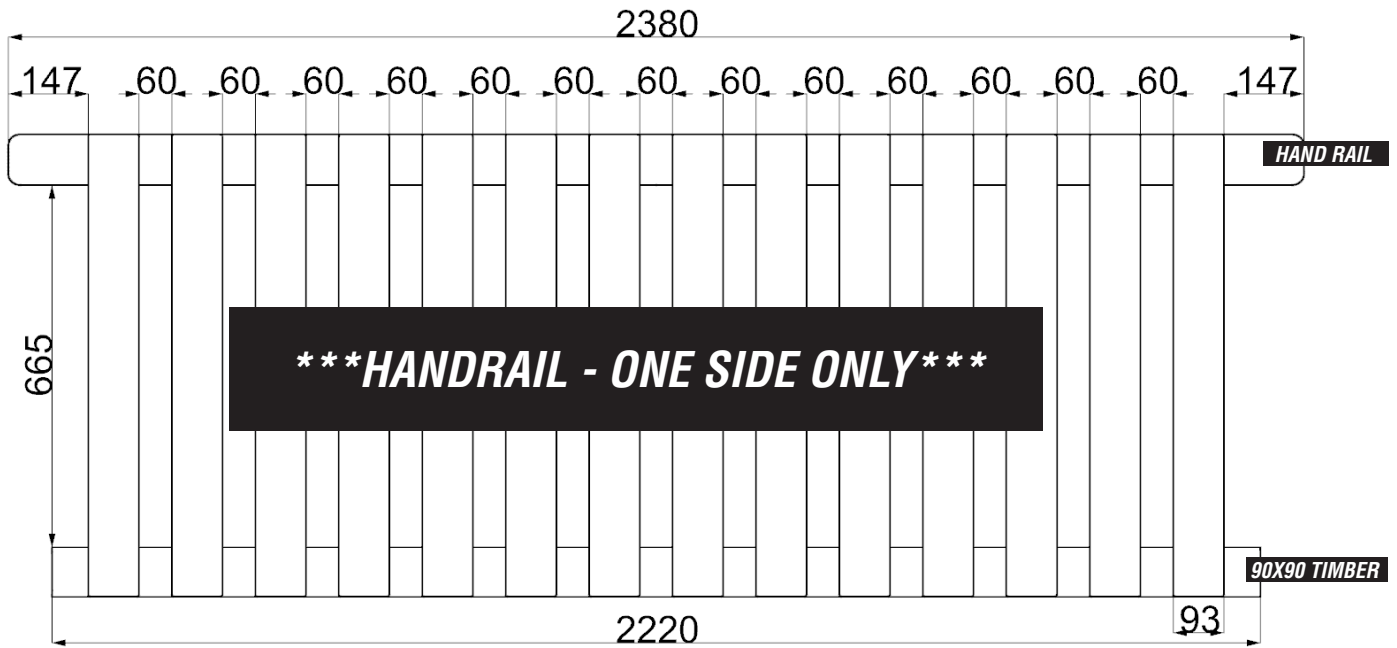
ENSURE TOP OF HAND RAILS SIT 740MM FROM HEXAGRIP FLOOR ON INSIDE OF PLATFORM UPRIGHT TIMBERS



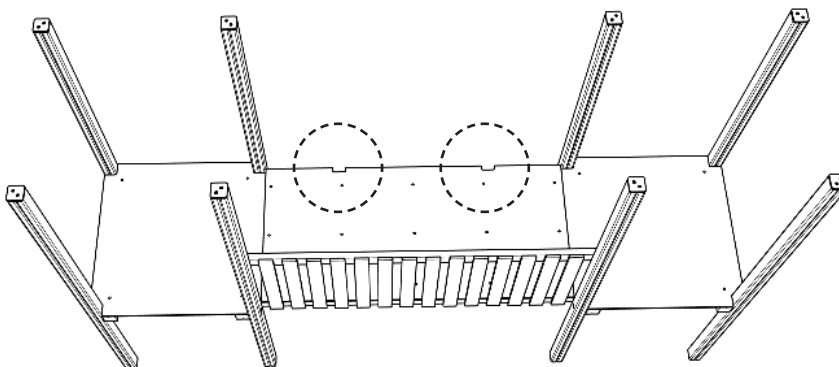
*****HANDRAIL - ONE SIDE ONLY*****

INSTALLATION INSTRUCTIONS

- 7** ATTACH GUARD RAIL SLATS TO BOTH THE HANDRAIL AND 90X90 TIMBER
USING 4X M6X40MM WOOD SCREWS PER SLAT, SECURED AT DIMENSIONS SHOWN BELOW ON BOTH SIDES



- 8** ENSURE THE WALKWAY IS AS SHOWN BELOW
CUT OUT SECTIONS OF THE FLOOR AS CIRCLED

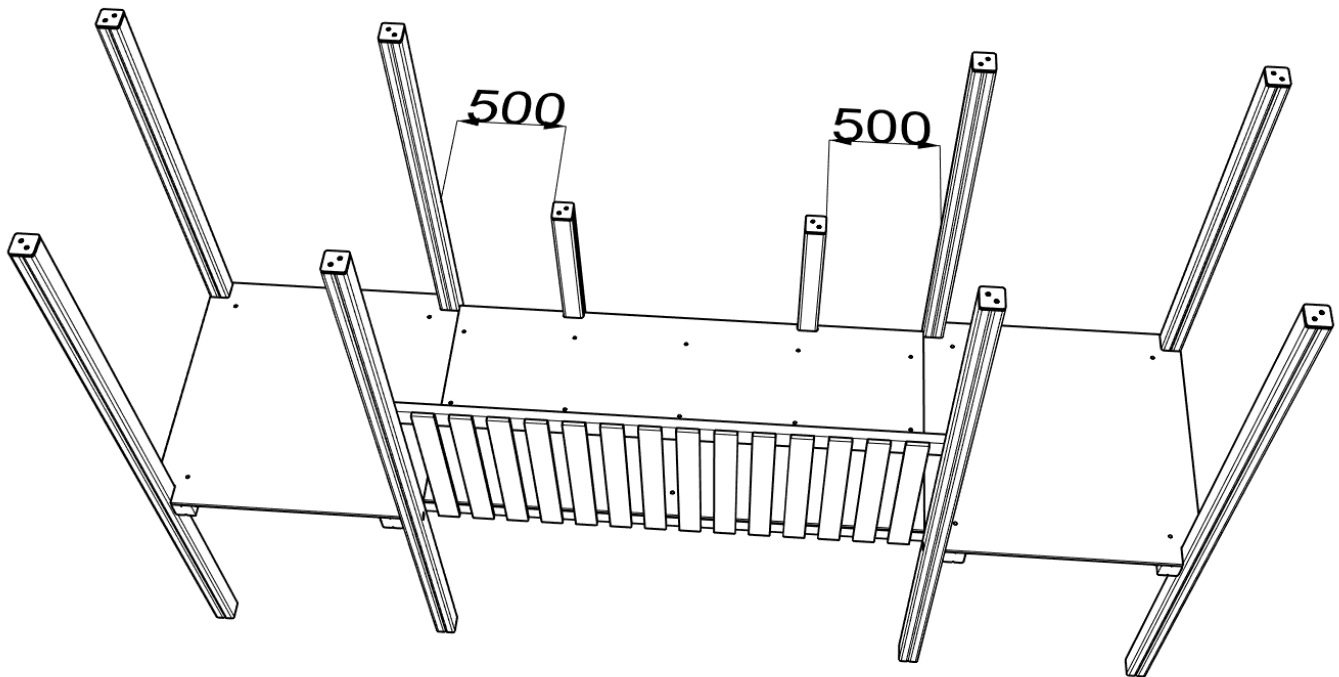


INSTALLATION INSTRUCTIONS

9

POSITION THE WALKWAY ADDITIONAL UPRIGHT TIMBERS

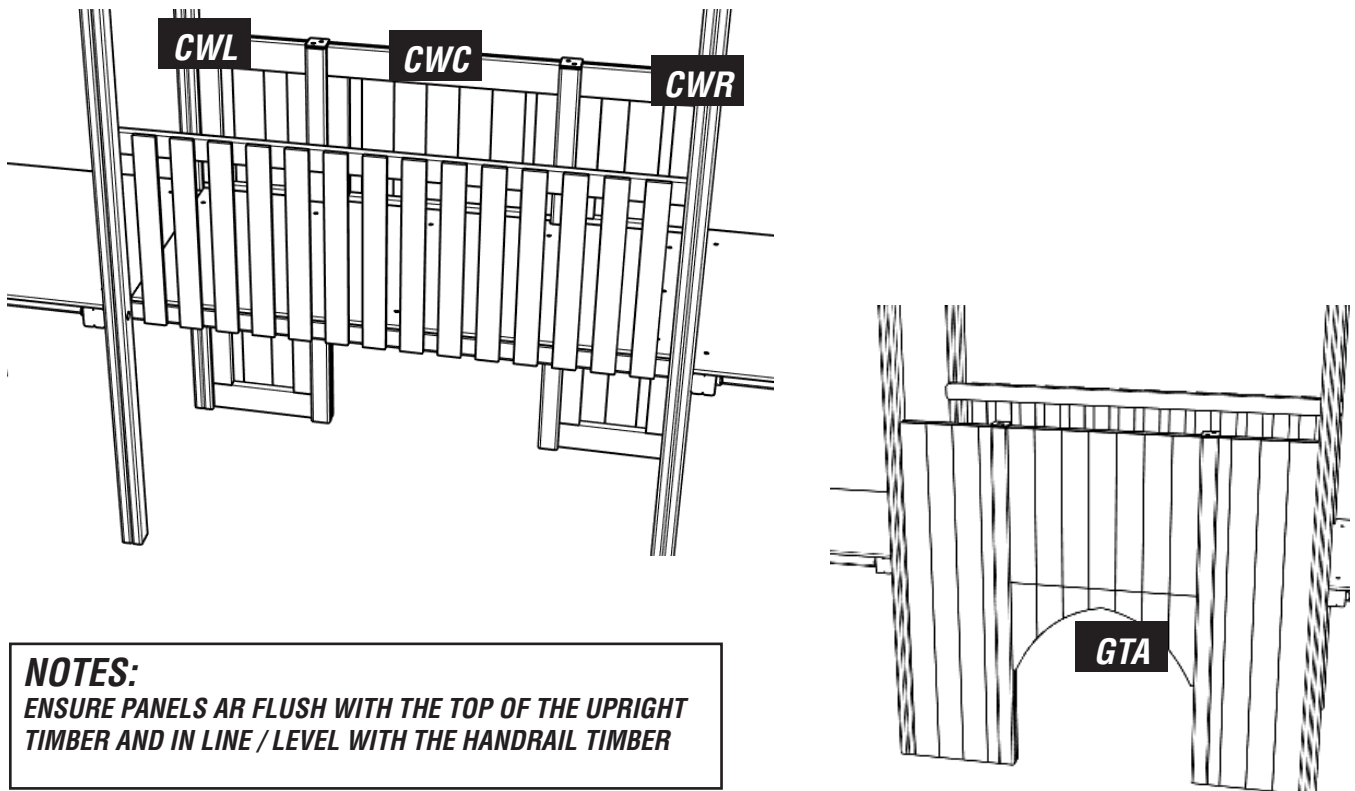
750MM DEEP FOUNDATION REQUIRED (400MM X 400MM)



10

ATTACH HAND RAILS TO JIGSAW PLATFORM UPRIGHT TIMBERS

USING M8X180MM WOOD SCREWS, 4X PER SIDE OF PANEL AS SHOWN



NOTES:

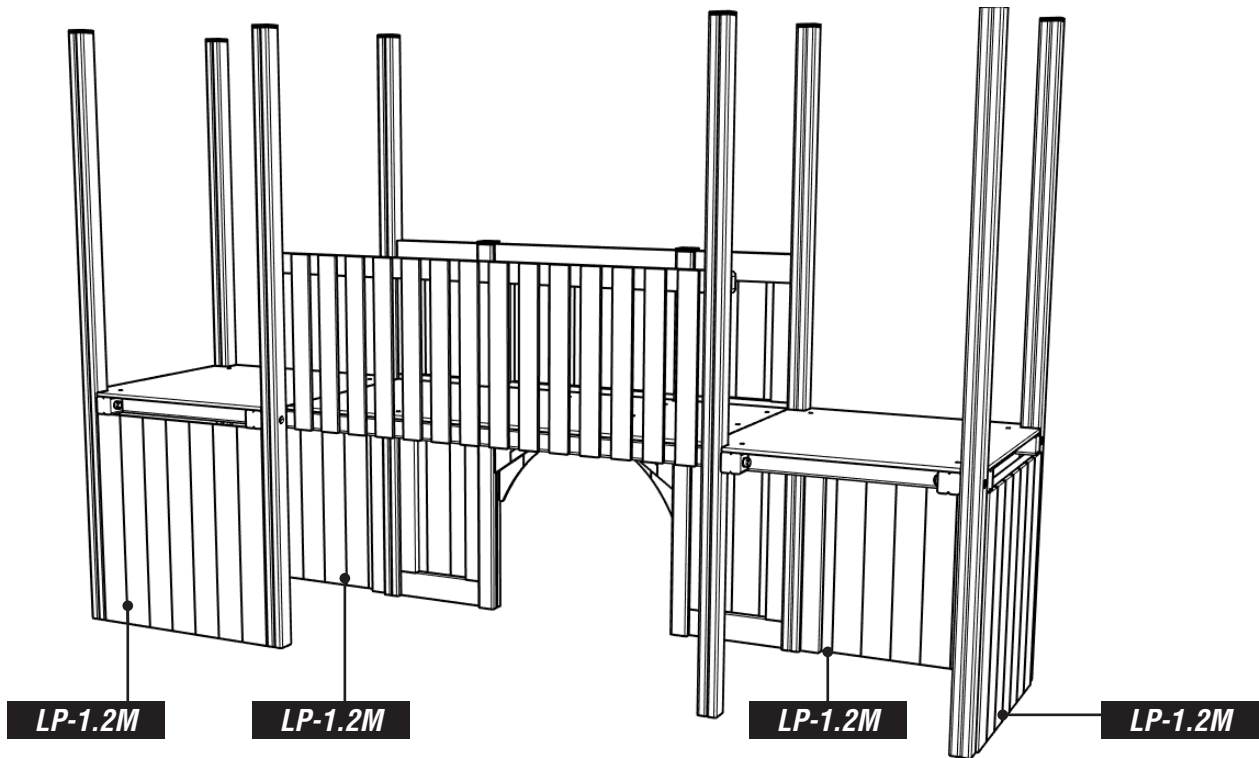
ENSURE PANELS ARE FLUSH WITH THE TOP OF THE UPRIGHT TIMBER AND IN LINE / LEVEL WITH THE HANDRAIL TIMBER

INSTALLATION INSTRUCTIONS

11

POSITION ALL LOWER CLADDING PANELS

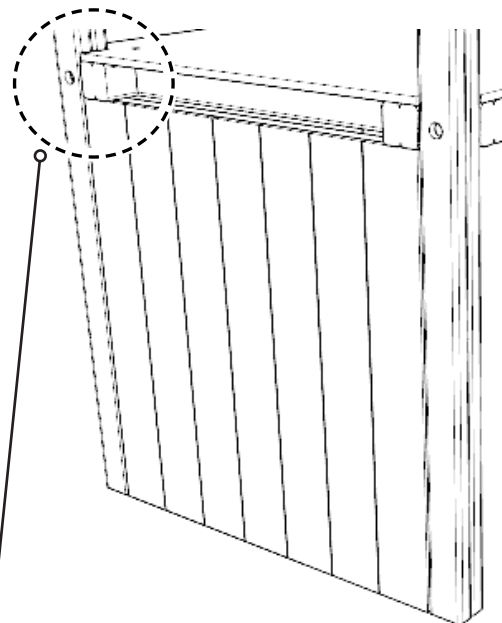
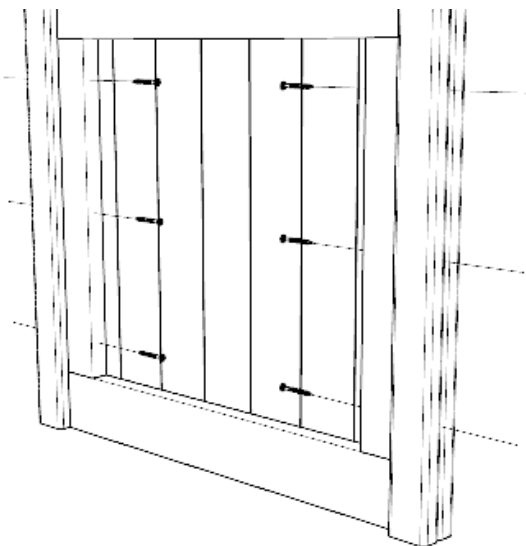
LP-1.2M



12

ATTACHING LOWER CLADDING PANELS...

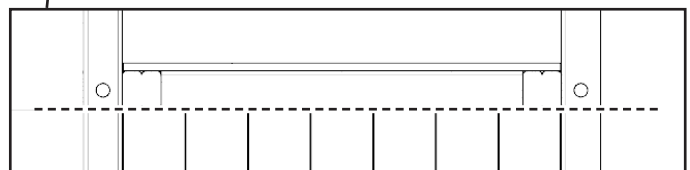
USING 6X M8X180MM WOOD SCREWS - 3 PER SIDE, SCREW IN FROM INSIDE OF TOWER AS SHOWN BELOW



NOTES:

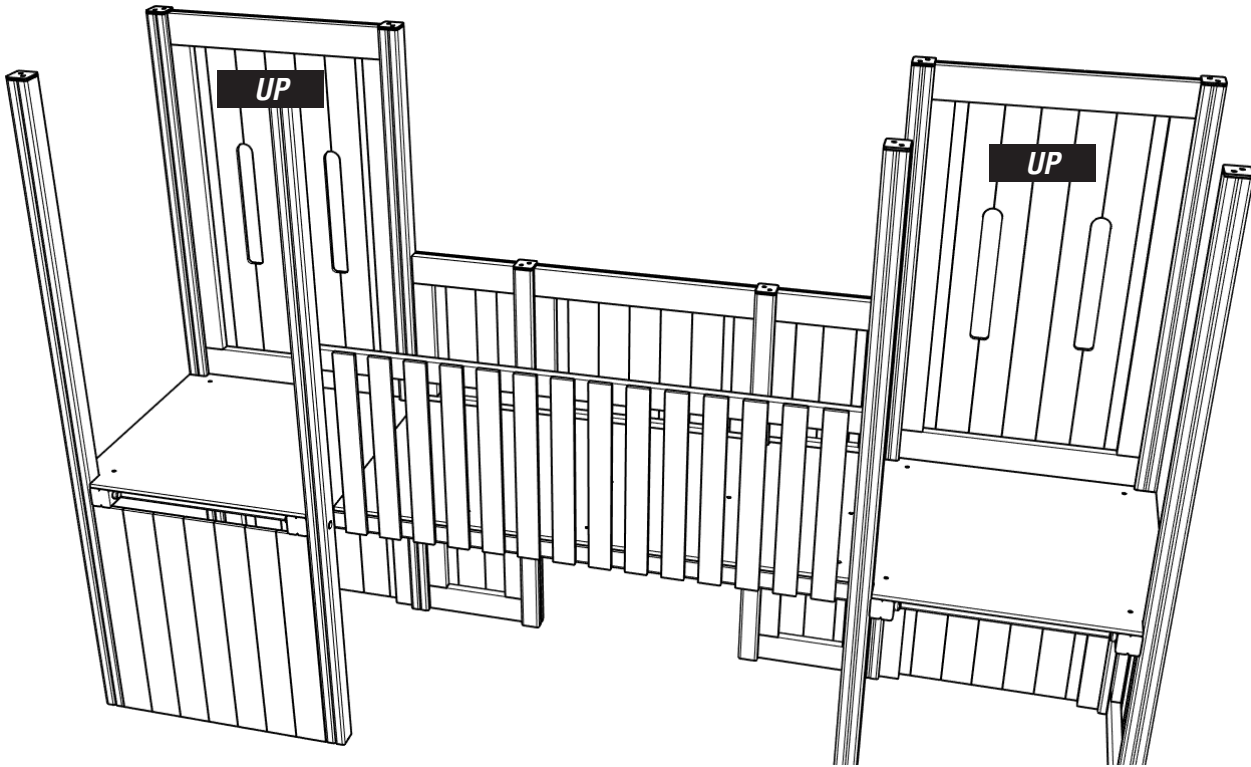
LOWER PANELS MUST SIT BELOW PLATFORM 90X90 TIMBERS (SEE DOTTED LINE)

ENSURE PANELS SIT FLUSH WITH UPRIGHT PLANE FACES

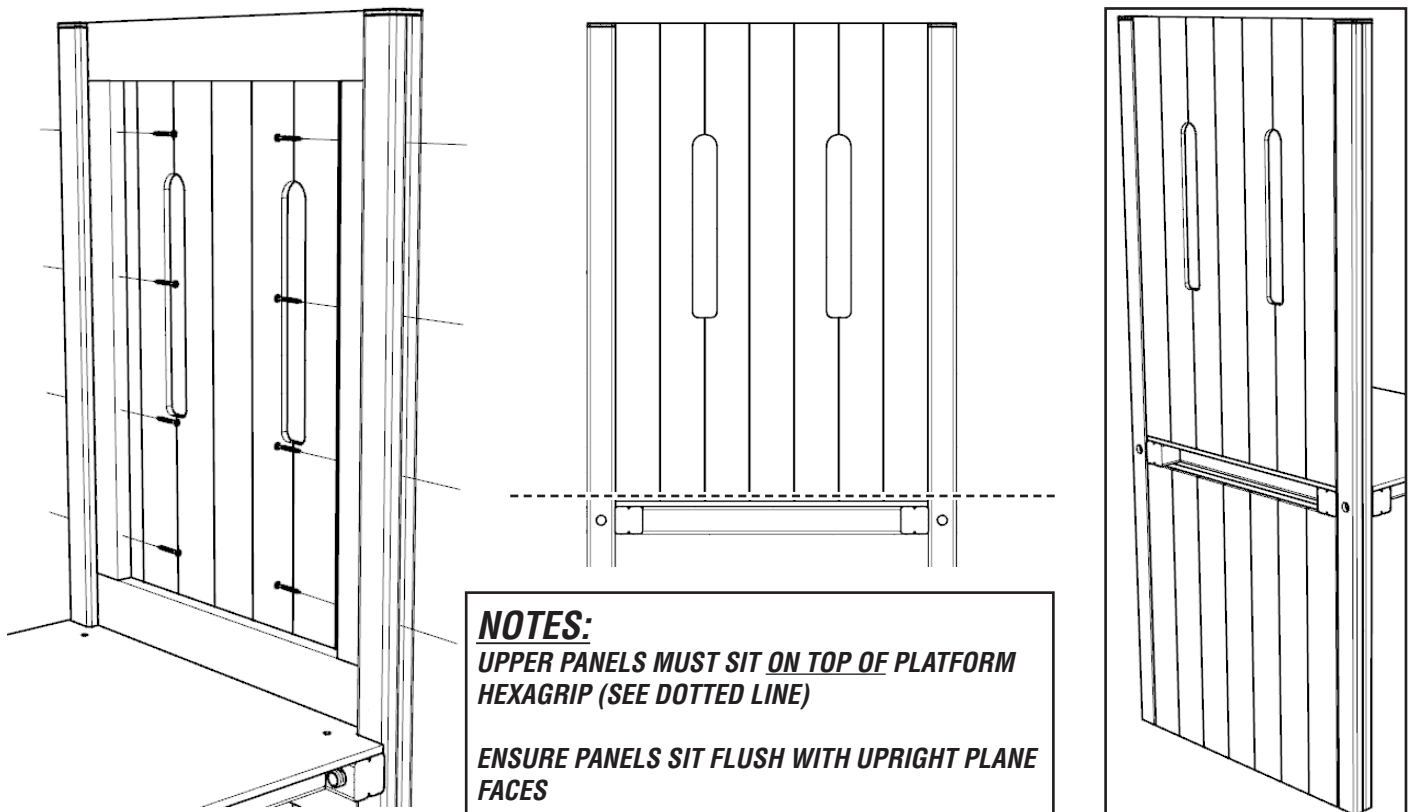


INSTALLATION INSTRUCTIONS

13 POSITION ALL UPPER CLADDING PANELS UP



14 ATTACH UPPER CLADDING PANELS... USING 8X M8X180MM WOOD SCREWS - 4X PER SIDE FOR EACH PANEL IN LOCATIONS SHOWN

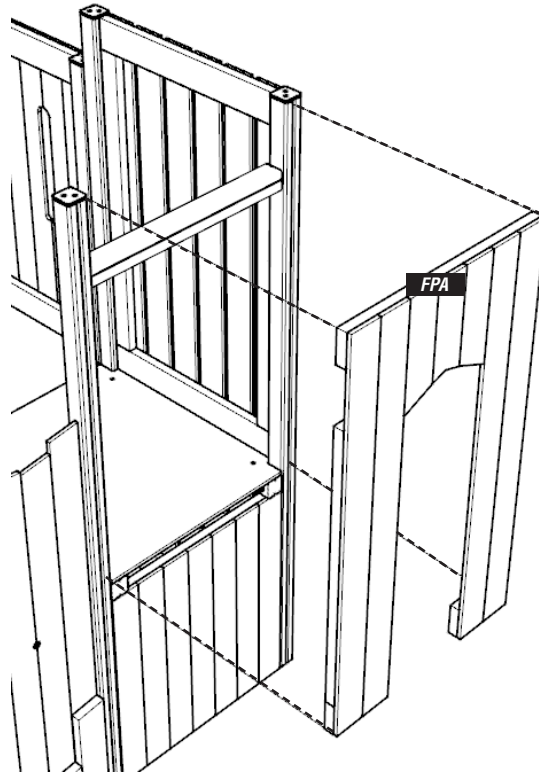


INSTALLATION INSTRUCTIONS

15

ATTACH FPA CLADDING PANEL

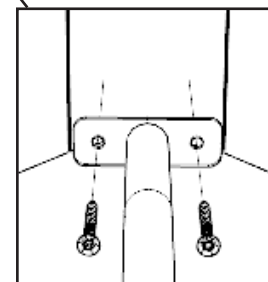
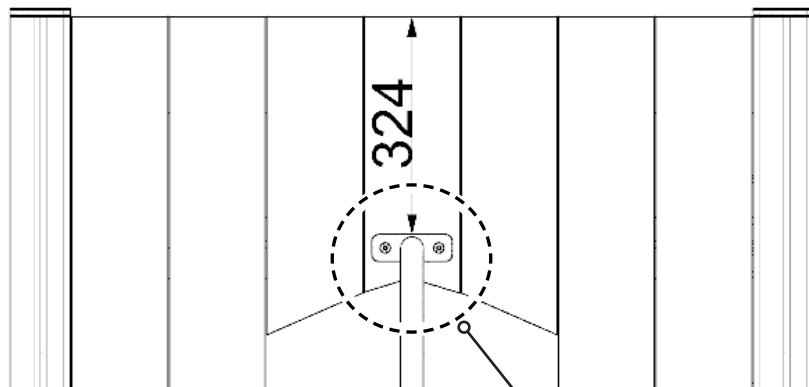
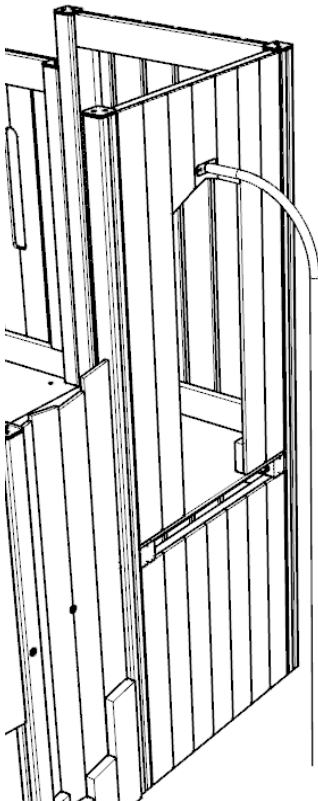
USING 8X M8X180MM WOOD SCREWS - 4X PER SIDE



16

ATTACH FIREMANS POLE TO FPA PANEL AT DIMENSIONS SHOWN

USING 2X M8X80MM WOOD SCREWS



NOTES:

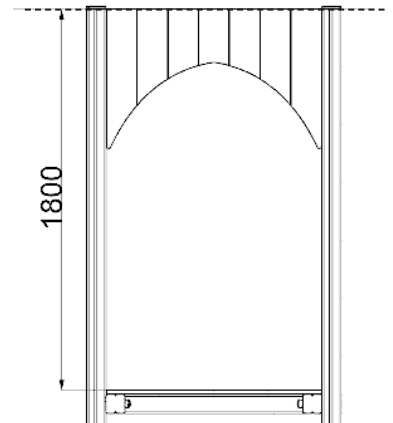
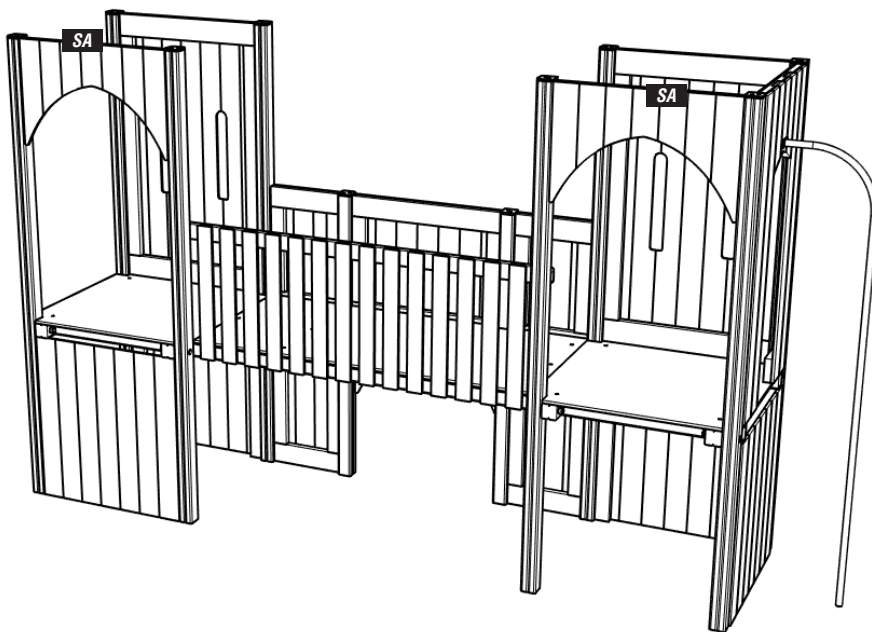
FIREFIGHTERS POLE MUST SCREW THROUGH THE PANEL INTO THE 90X90 TIMBER SUPPORT

INSTALLATION INSTRUCTIONS

17

ATTACH SA PANELS TO TOP OF TOWERS AT DIMENSIONS SHOWN

USING 4X M8X180MM WOOD SCREWS - 2X PER SIDE FOR EACH PANEL IN LOCATIONS SHOWN



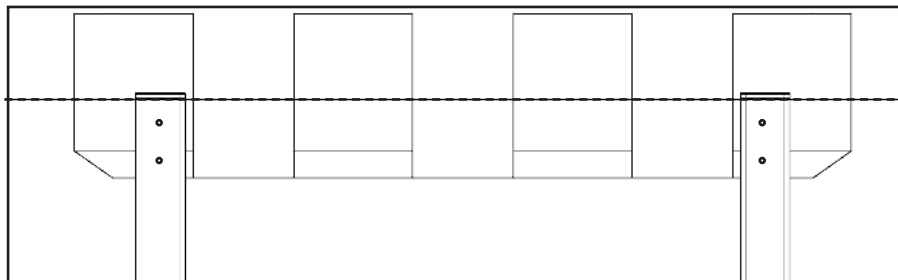
NOTES:

SA PANELS MUST SIT FLUSH WITH TOP OF UPRIGHT TIMBER - NOT END CAPS! (SEE DOTTED LINE)

18

ATTACHING SCT TURRET TRIP PIECES, SEE NEXT STEP FOR LOCATIONS...

USING 8X M8X180MM WOOD SCREWS - 2X PER SIDE FOR EACH PANEL IN LOCATIONS SHOWN



NOTES:

SCT TURRET BACK BOARD MUST SIT FLUSH WITH TOP OF UPRIGHT TIMBER - NOT END CAPS! (SEE DOTTED LINE)

TRIM WILL ALSO SIT FLUSH WITH TOP OF ANY UPPER PANELS - SEE FIG 1

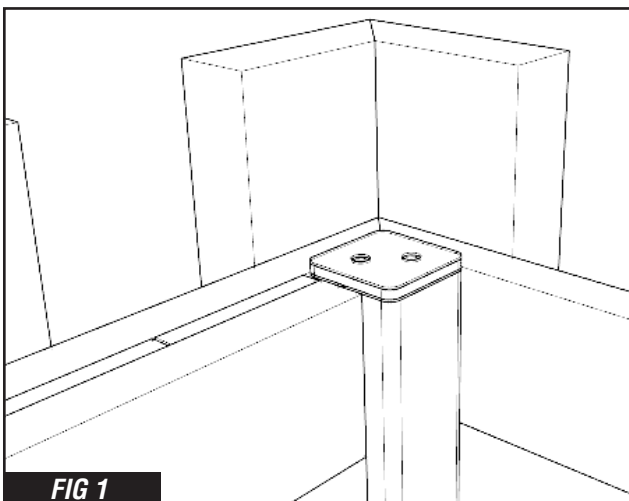
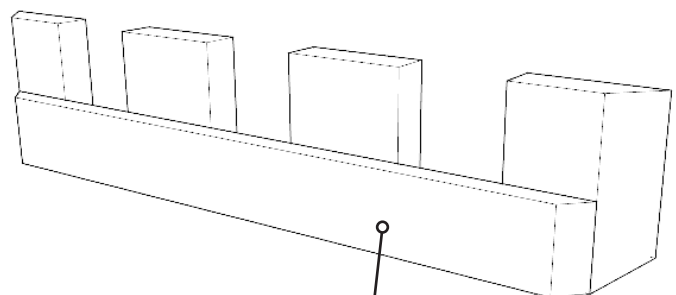


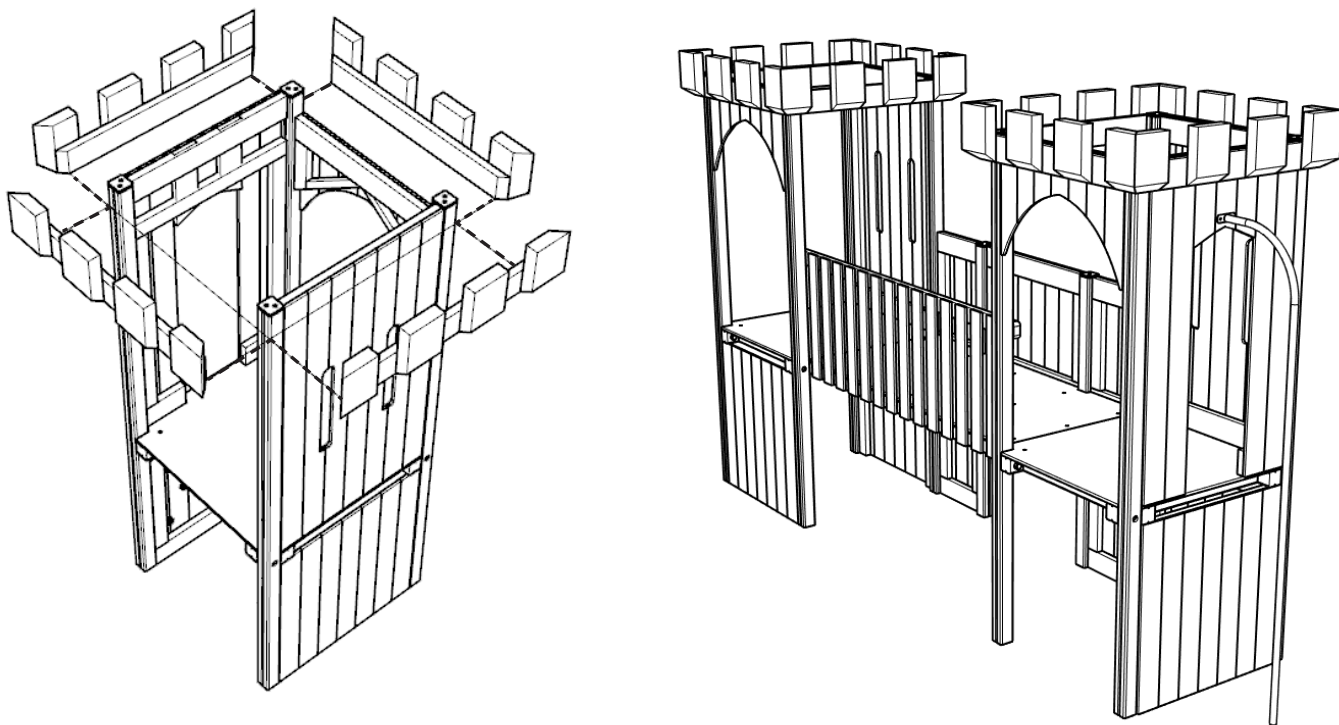
FIG 1



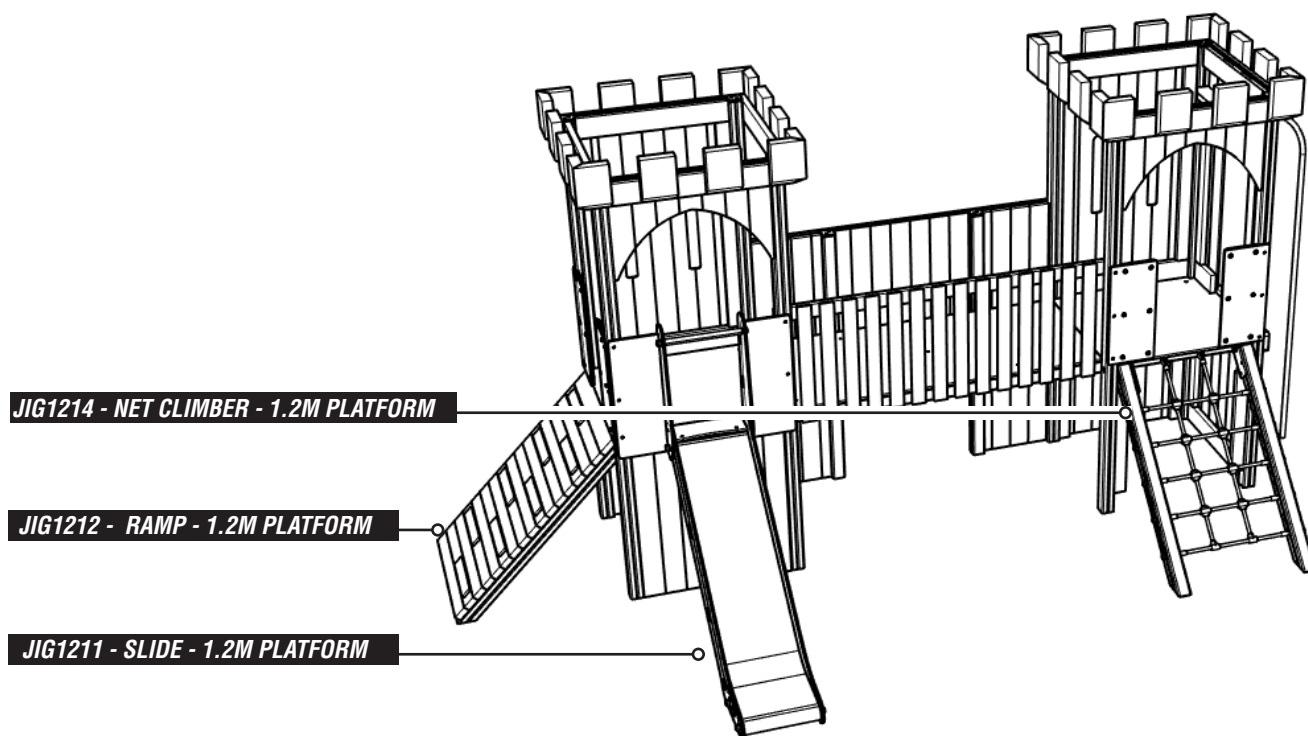
SCT TURRET BACKBOARD

INSTALLATION INSTRUCTIONS

19 ATTACH SCT TRIM PIECES TO BOTH TOWERS POSITION AND ATTACH AS DESCRIBED ON PREVIOUS STEP



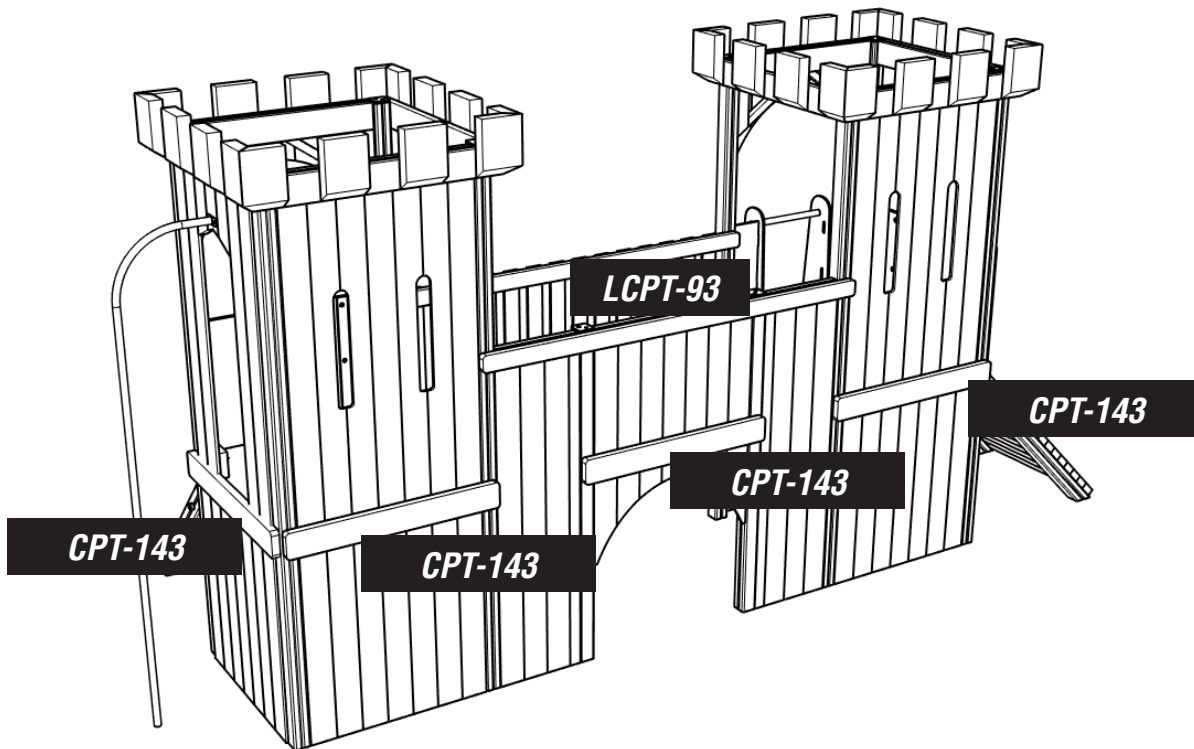
20 INSTALL STANDARD JIGSAW PARTS IN LOCATIONS SHOWN USING STANDARD JIGSAW INSTRUCTIONS & FIXINGS



INSTALLATION INSTRUCTIONS

21

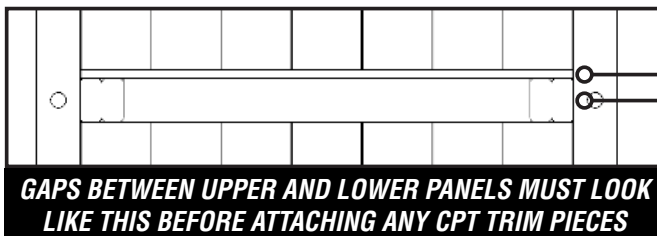
**ATTACH CPT-143 & LCPT-93 TRIM PIECES TO TOWERS IN LOCATIONS SHOWN
POSITION AND ATTACH AS DESCRIBED ON NEXT STEP**



22

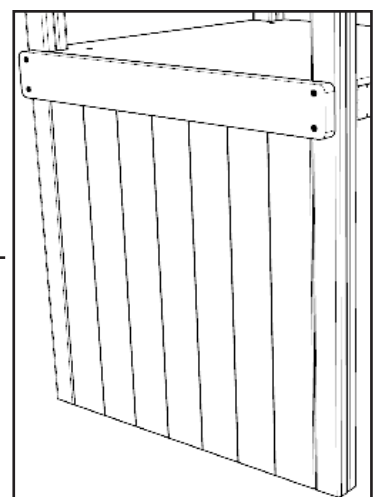
ATTACHING CPT CENTRE TRIM PIECES

USING 4X M8X80MM WOOD SCREWS - 2X PER SIDE FOR EACH PANEL - SCREW INTO UPRIGHTS



UPPER = ABOVE HEXAGRIP FLOOR

LOWER = BELOW PLATFORM 90X90'S



NOTES:

**TOP OF CPT TRIM PIECES MUST SIT FLUSH WITH PLATFORM HEXAGRIP FLOOR - SEE ABOVE
ENSURE SCREWS SIT EITHER SIDE OF THE PLATFORM BOLT COUNTERSINKS - SEE ABOVE**

ADDITIONAL DIMENSIONS

