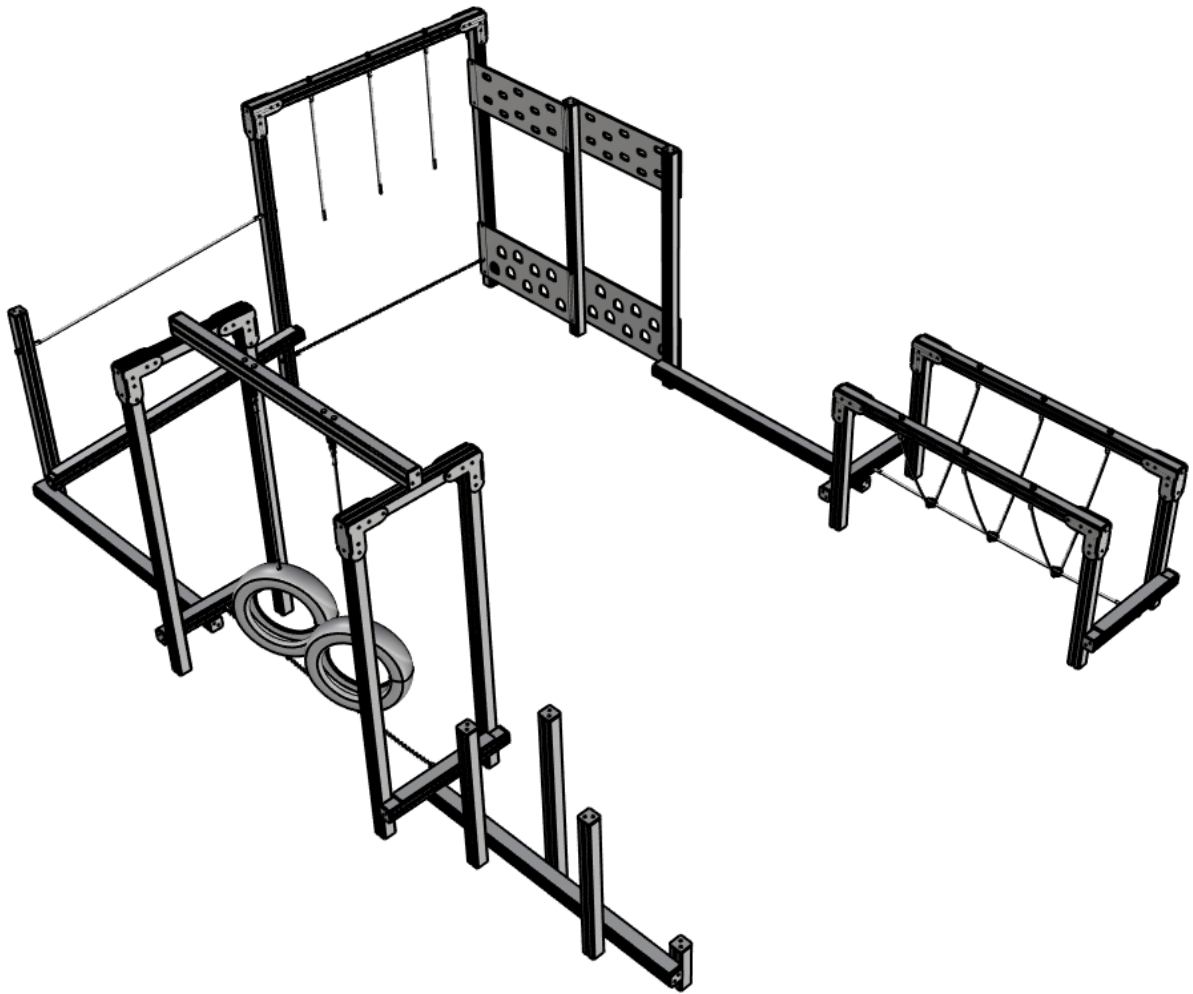


# **AT8-U - ADVENTURE TRAIL 8 U**

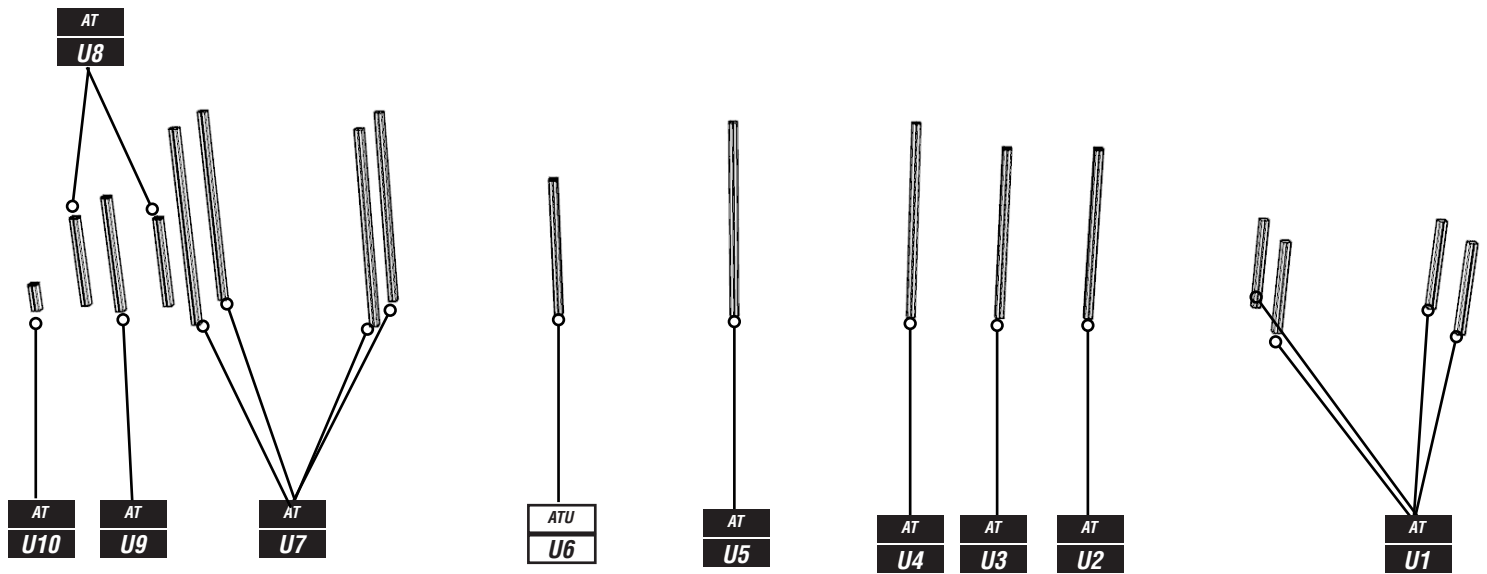
## ***Installation Instructions***

**creative  
play**



**INSTRUCTIONS SHOWN ARE FOR THE STANDARD AT8 - BUT THE  
GROUNDPLAN HAS BEEN REVISED TO CREATE THE U-SHAPE LAYOUT**

# PARTS REQUIRED

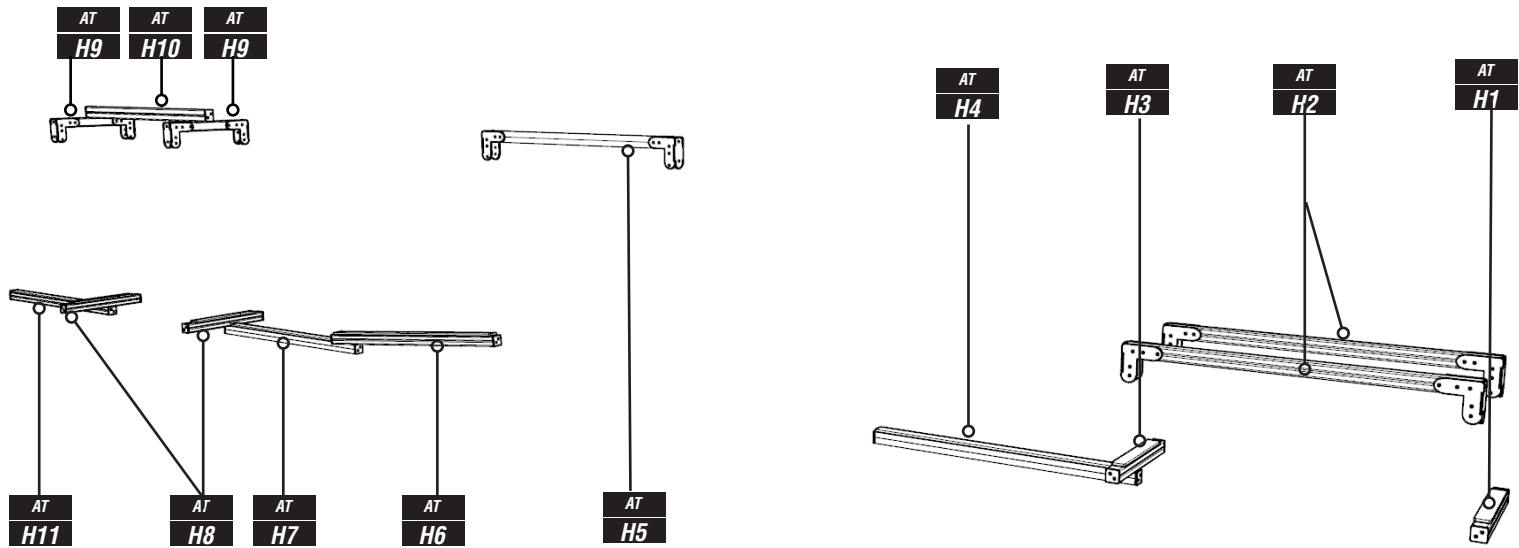


## UPRIGHT TIMBERS

\*PLEASE NOTE ALL H TIMBERS ARE PRE-ASSEMBLED WITH PLAYTEC L's AND/OR HEXBOARD (AS SHOWN ABOVE)

CODE	SIZE	QTY	END	ADDITIONAL INFORMATION
AT - U1	1800	4	-	UPRIGHT TIMBER
AT - U2	2715	1	END CAP	UPRIGHT TIMBER
AT - U3	2715	1	END CAP	UPRIGHT TIMBER
AT - U4	3000	1	-	UPRIGHT TIMBER
AT - U5	3000	1	-	UPRIGHT TIMBER
AT - U6	2335	1	END CAP	UPRIGHT TIMBER
AT - U7	3000	4	-	UPRIGHT TIMBER
AT - U8	1800	2	END CAP	UPRIGHT TIMBER
AT - U9	2100	1	END CAP	UPRIGHT TIMBER
AT - U10	1055	1	END CAP	UPRIGHT TIMBER

# PARTS REQUIRED

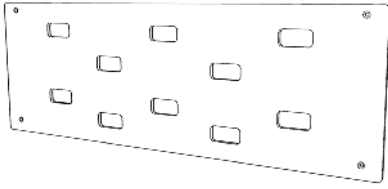


## HORIZONTAL TIMBERS

\*PLEASE NOTE ALL H TIMBERS ARE PRE-ASSEMBLED WITH PLAYTEC L'S AND/OR HEXBOARD (AS SHOWN ABOVE)

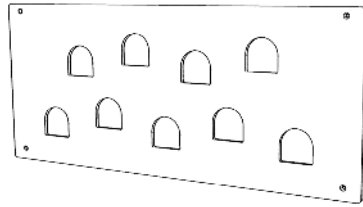
CODE	SIZE	QTY	START	END	ADDITIONAL INFORMATION
AT - H1	900	1	END CAP	END CAP	HORIZONTAL TIMBER (HEXA GRIP SLAT)
AT - H2	2100	2	PLAYTEC L'S	PLAYTEC L'S (90x90)	HORIZONTAL TIMBER
AT - H3	900	1	END CAP	END CAP	HORIZONTAL TIMBER (HEXA GRIP SLAT)
AT - H4	2010	1	END CAP	END CAP	HORIZONTAL TIMBER (HEXA GRIP SLAT)
AT - H5	2100	1	PLAYTEC L'S	PLAYTEC L'S	HORIZONTAL TIMBER
AT - H6	2160	1	END CAP	END CAP	HORIZONTAL TIMBER (HEXA GRIP SLAT)
AT - H7	2010	1	END CAP	END CAP	HORIZONTAL TIMBER (HEXA GRIP SLAT)
AT - H8	900	2	END CAP	END CAP	HORIZONTAL TIMBER (HEXA GRIP SLAT)
AT - H9	900	2	PLAYTEC L'S	PLAYTEC L'S	HORIZONTAL TIMBER
AT - H10	2100	1	END CAP	END CAP	HORIZONTAL TIMBER
AT - H11	2010	1	END CAP	END CAP	HORIZONTAL TIMBER (HEXA GRIP SLAT)

# PARTS REQUIRED



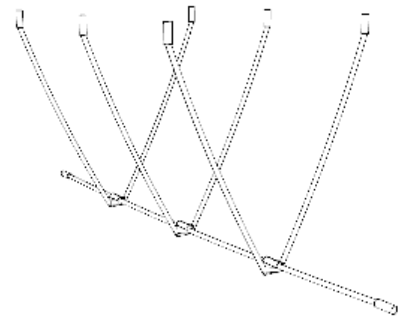
x2

**CLIMBING PANELS (UPPER)**



x2

**CLIMBING PANELS (LOWER)**



x1

**ROPE BRIDGE**



x3

**SWINGING ROPES**



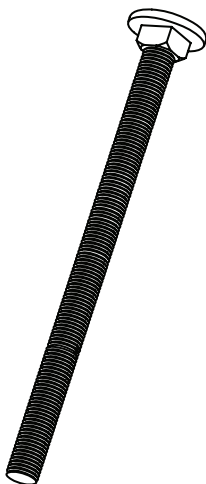
x1

**SWINGING ROPE CHAIN**



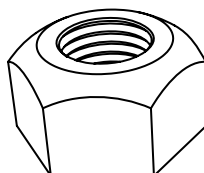
x1

**TRAVERSE ROPE**



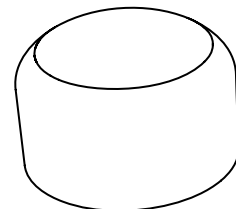
x15

**274.M12X200**



x33

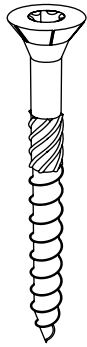
**656.M12**



x33

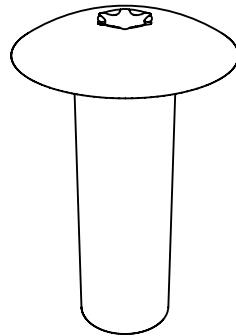
**102003-01 - M12**

# PARTS REQUIRED



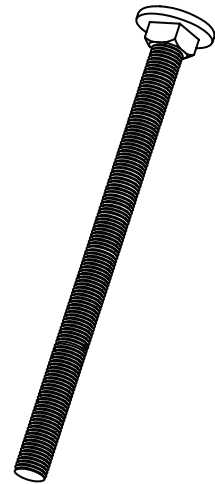
x67

97.M8X80CSK



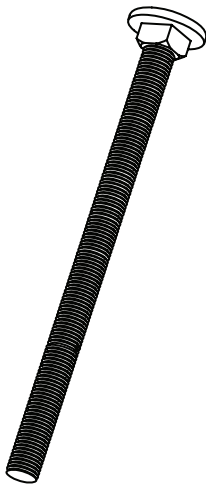
x4

M12 SOCKET NUT (50MM)



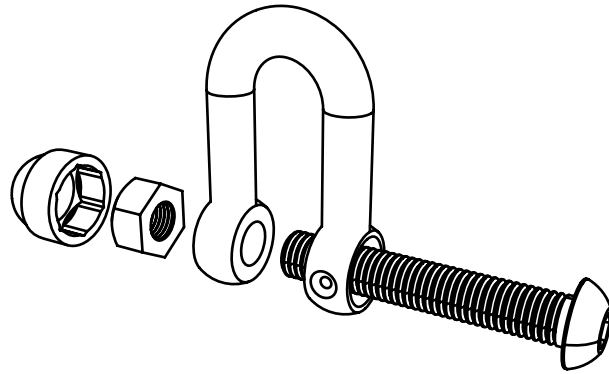
x1

274.M12X220



x3

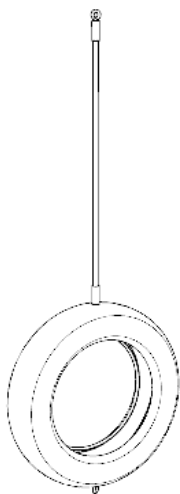
274.M12X180



CONSISTS OF  
SHACKLE / BOLT / NYLOC / CAP

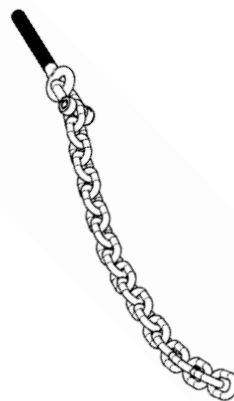
x6

349.742.D-SHACKLE 'SET'



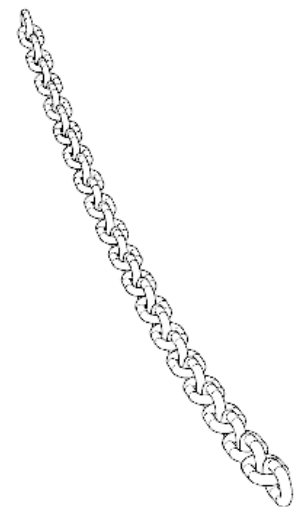
x2

TYRE



x2

625MM TYRE CHAIN (EYEBOLT)

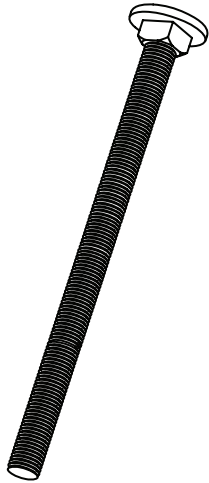


x1

740MM TYRE CHAIN

# ***PARTS REQUIRED***

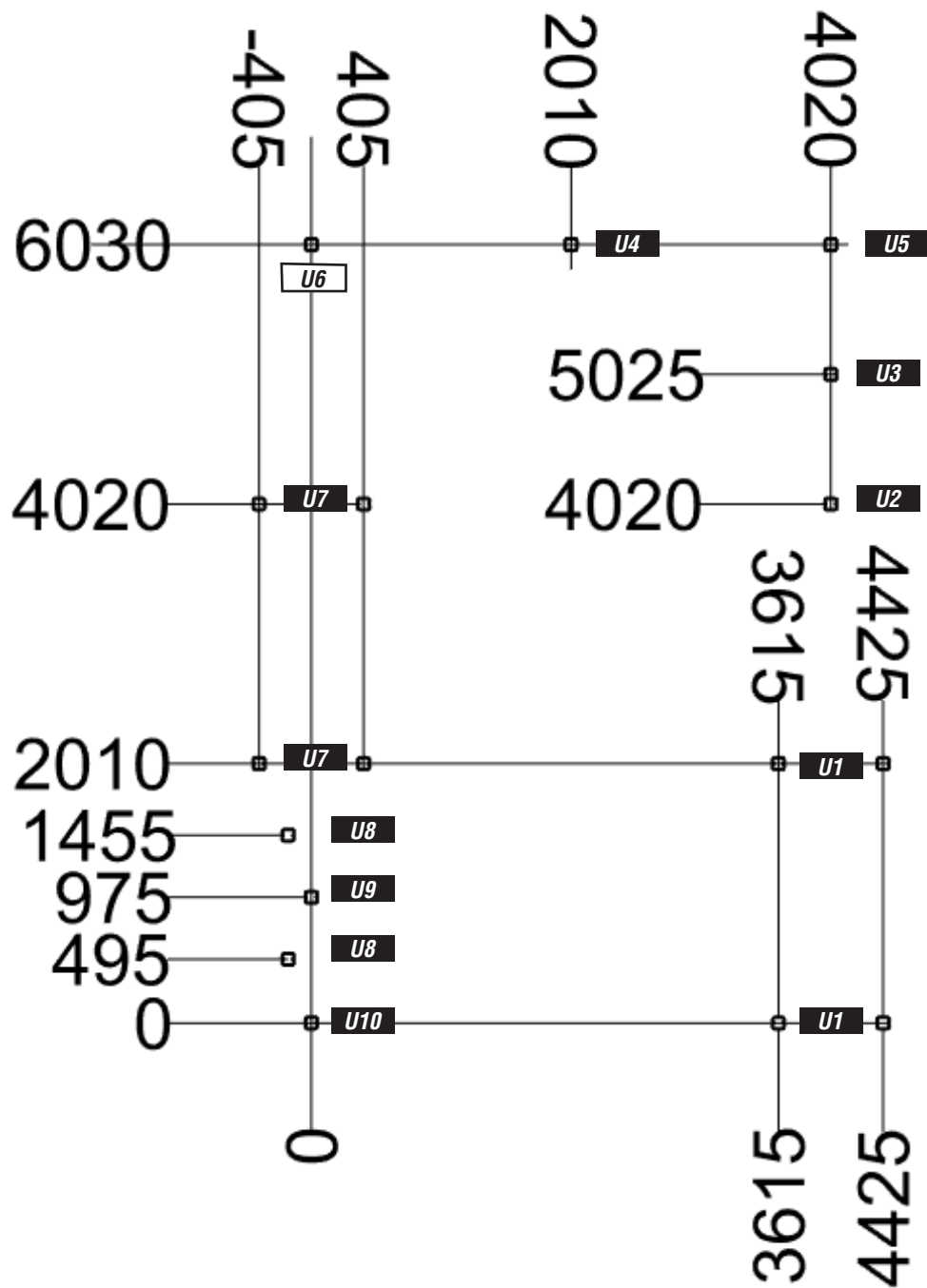
---



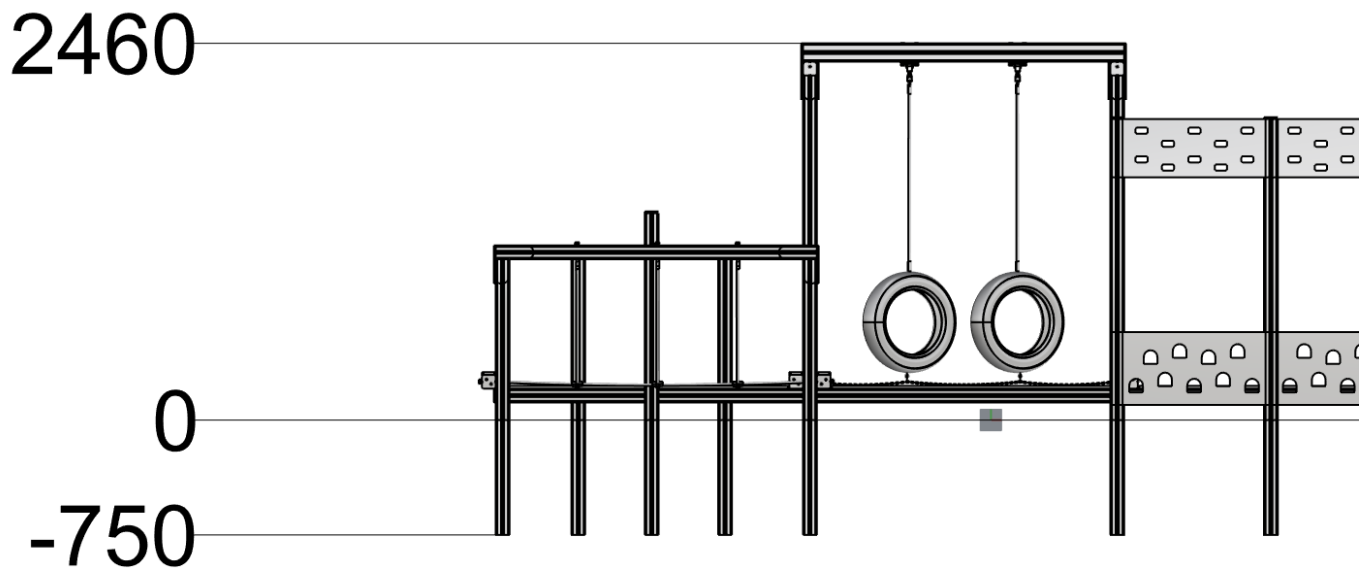
**x2**

**274.M12X230**

# FOUNDATION DETAILS



# FOUNDATION DETAILS



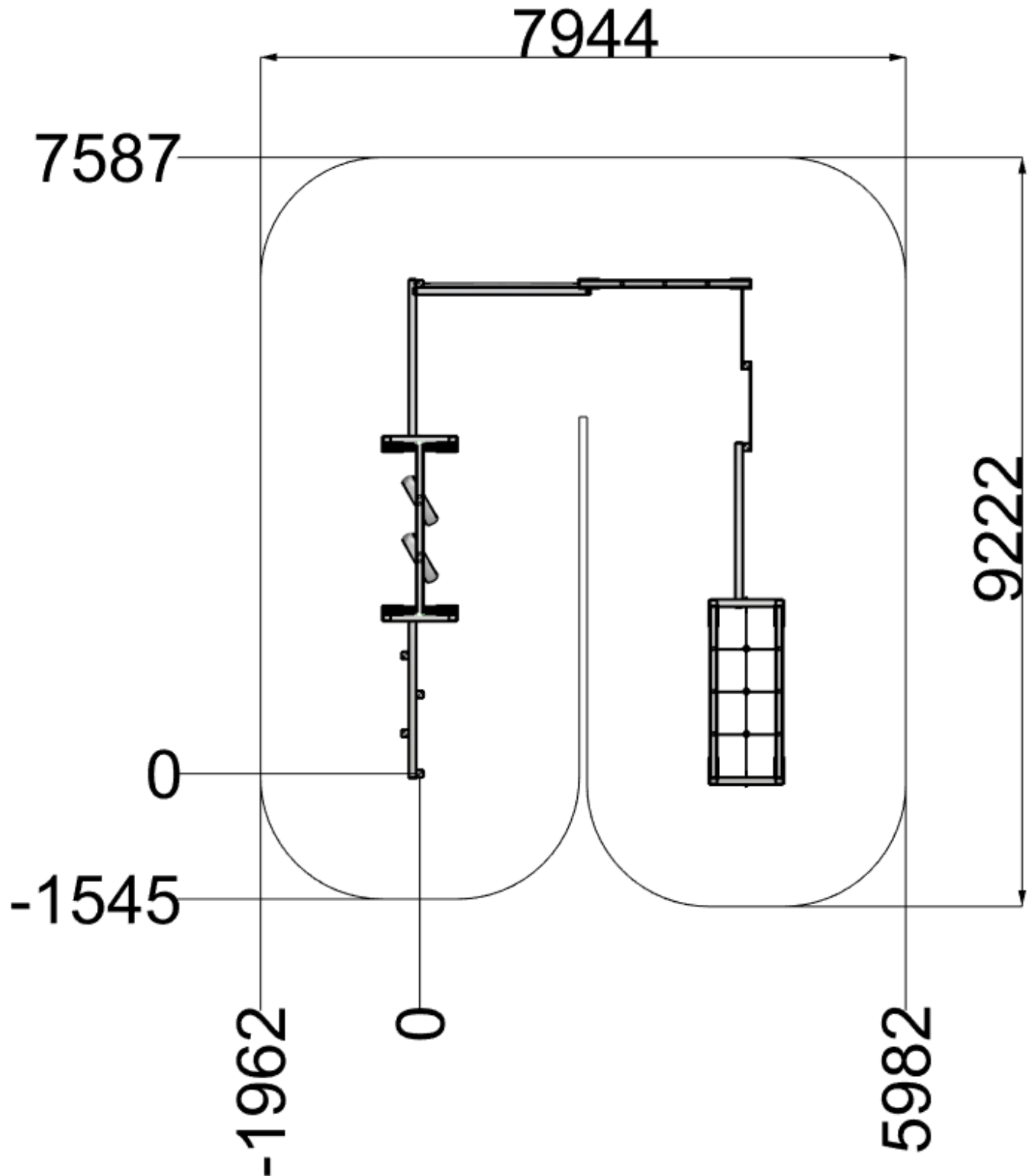
**FOUNDATION - 400MM X 400MM X 750MM (150MM SOIL APPROX)**



# SURFACING DETAILS

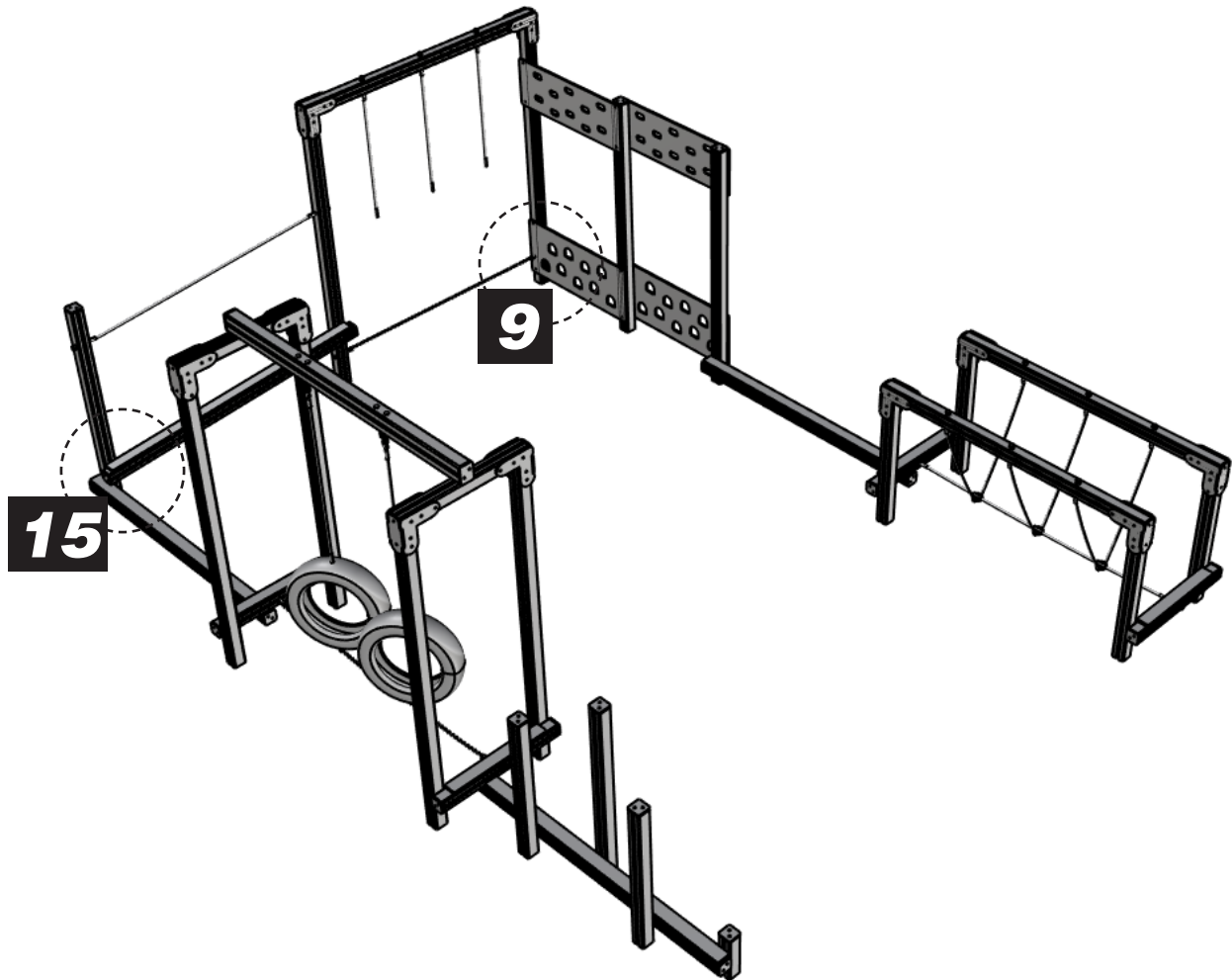
----- = MINIMUM SPACE

————— = OVERALL AREA



# INSTALLATION INSTRUCTIONS

**INSTRUCTIONS SHOWN ARE FOR THE STANDARD AT8 - BUT THE GROUNDPLAN HAS BEEN REVISED TO CREATE THE U-SHAPE LAYOUT**



**A) THE ORDER OF THE INSTALLATION INSTRUCTION HIGHLIGHT WHERE THE MAIN CHANGE OF 'SHAPE'**

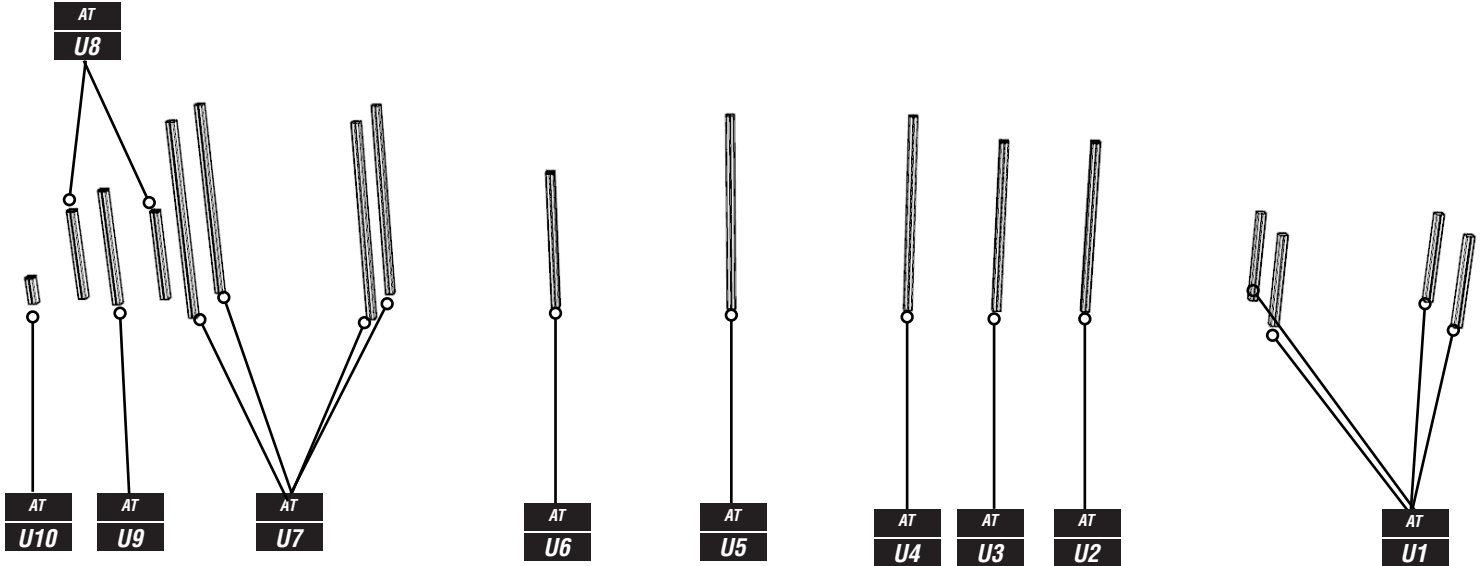
**6 STEP (9) - THIS TIMBER IS TO BE POSITONED AS SHOWN ABOVE**

**AN ADDITIONAL HOLE WILL NEED TO BE DRILLED INTO THE PLAYTEC CLIMBING WALL PANEL**

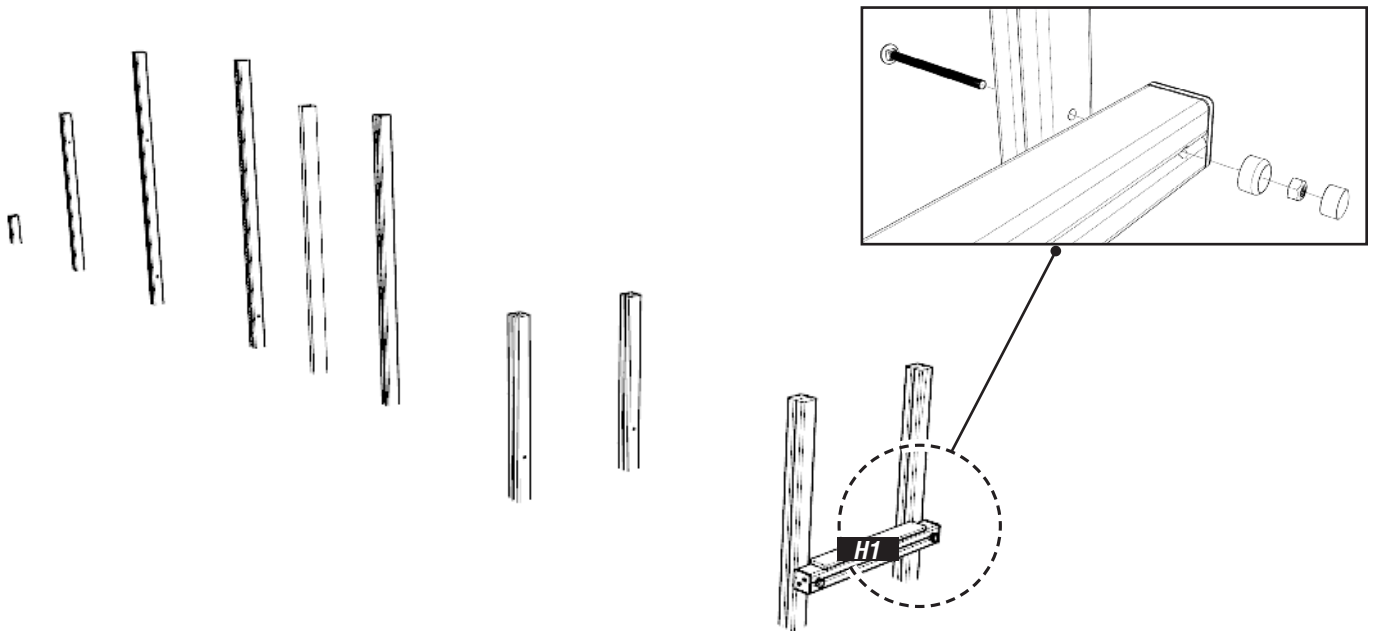
**15 STEP (15) - H7 TIMBER POSITOND AS SHOWN ABOVE (NOT 'INLINE' AT 90 DEGREES)**

# INSTALLATION INSTRUCTIONS

## 1 POSITION THE UPRIGHT TIMBERS FOLLOWING FOUNDATION DETAILS

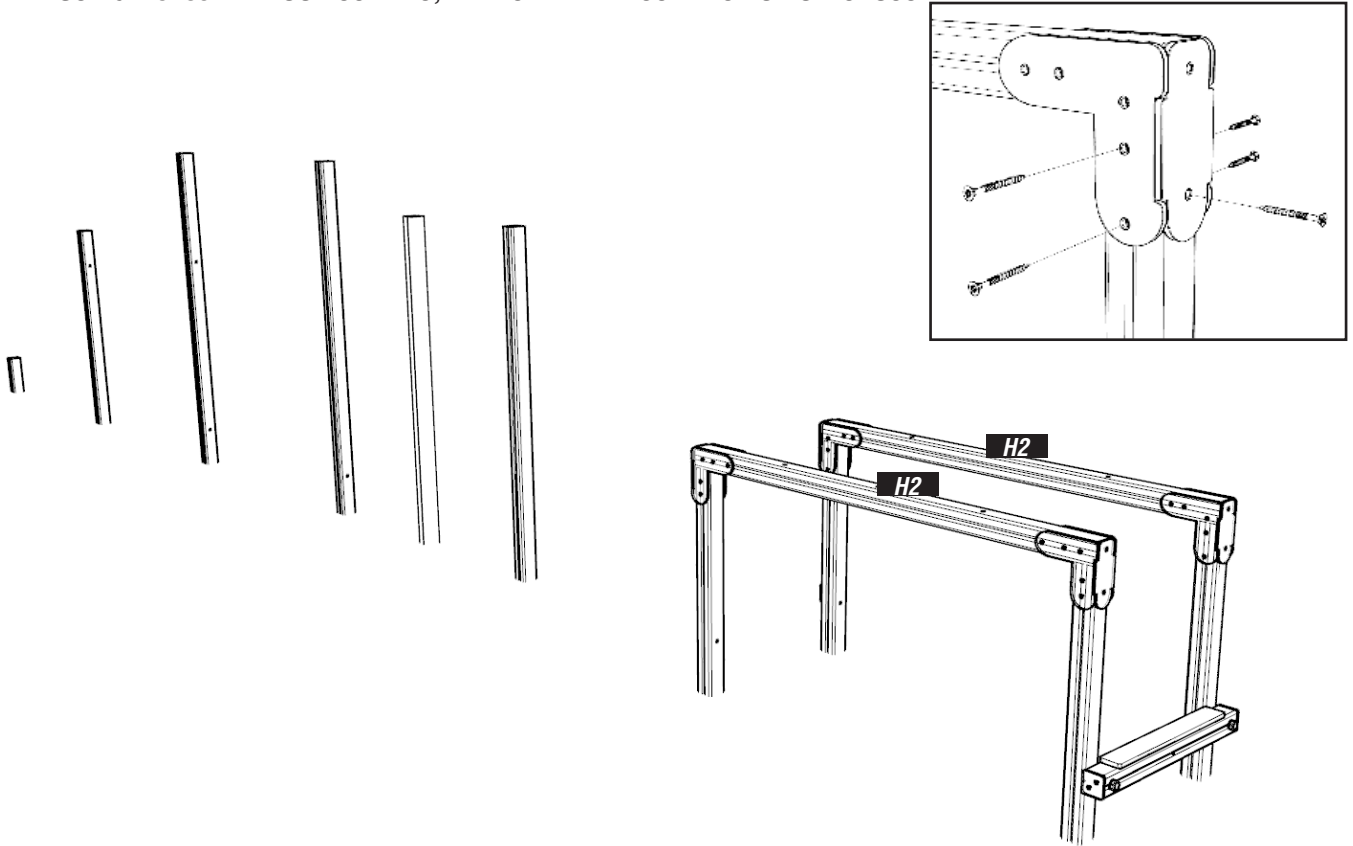


## 2 ATTACH TIMBER H1 USING 274.M12X200 / 656.M12 / 102003-01, SECURE HEXBOARD WITH M8X80MM WOOD SCREWS

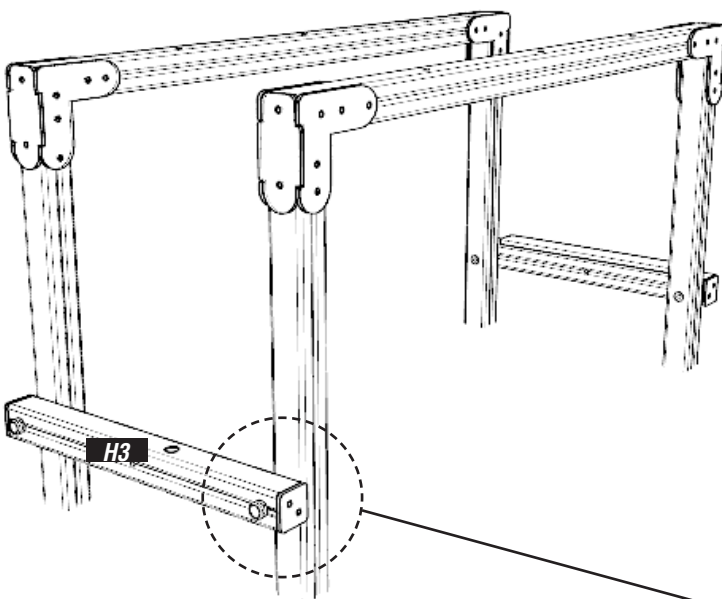


# INSTALLATION INSTRUCTIONS

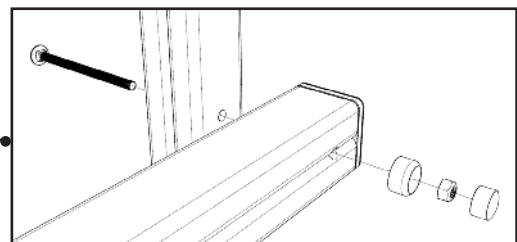
**3** ATTACH H2 TIMBERS USING PLAYTEC L'S  
USING M8X80MM WOOD SCREWS, TAKE CARE THAT SCREWS DO NOT 'CROSS'



**4** ATTACH TIMBER H3  
USING 274.M12X200 / 656.M12 / 102003-01



**NOTES:**  
H3 HEXBOARD SLAT WILL NOT BE ATTACHED UNTIL STEP 7

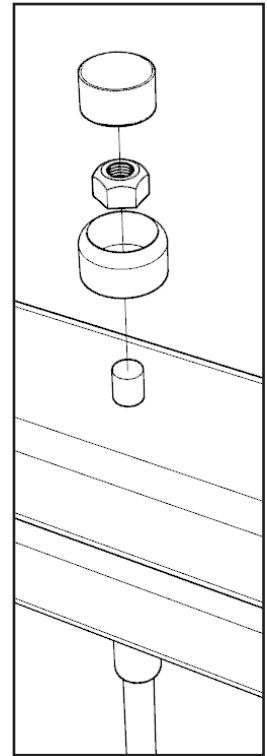
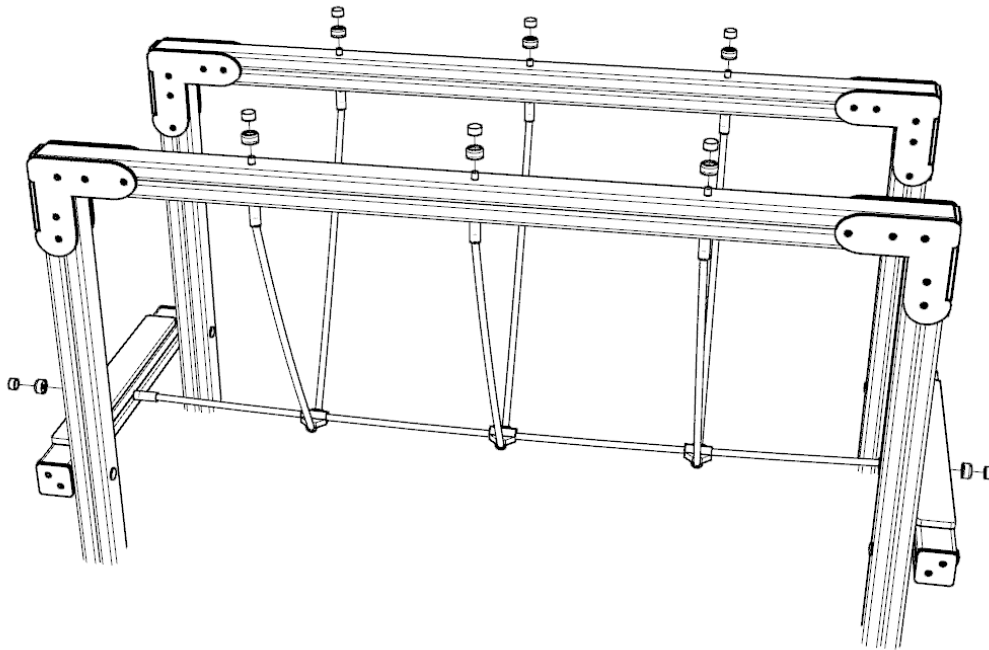


# INSTALLATION INSTRUCTIONS

**5**

## ATTACH ROPE BRIDGE

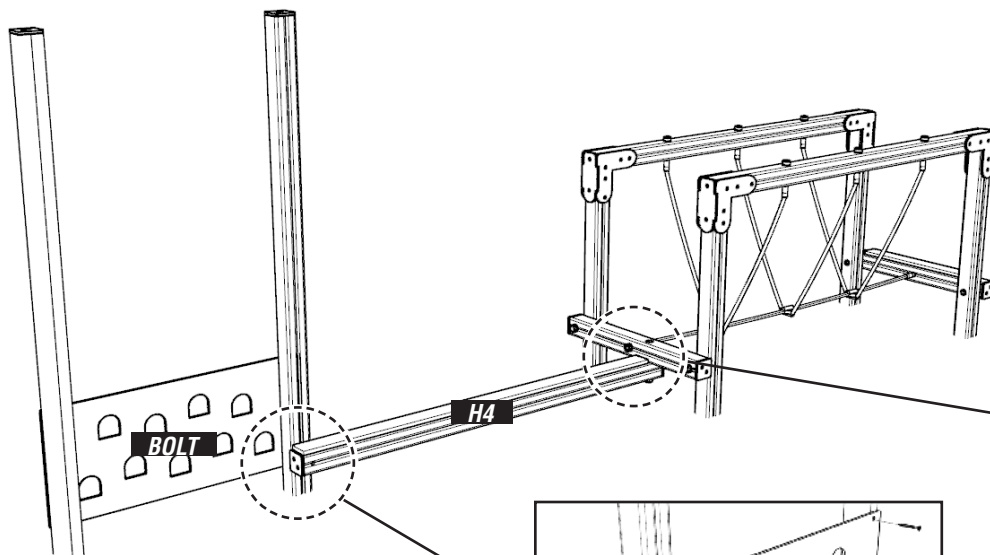
USING 656.M12 / 102003-01



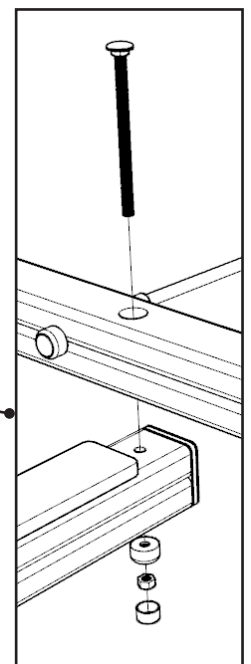
**6**

## ATTACH TIMBER H4 AND LOWER PLAYTEC CLIMBING PANEL SHOWN

USING 274.M12X180 & 220 / 656.M12 / 102003-01 AND M8X80MM WOOD SCREWS

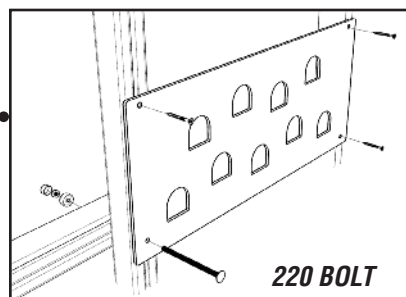


180 BOLT



### NOTES:

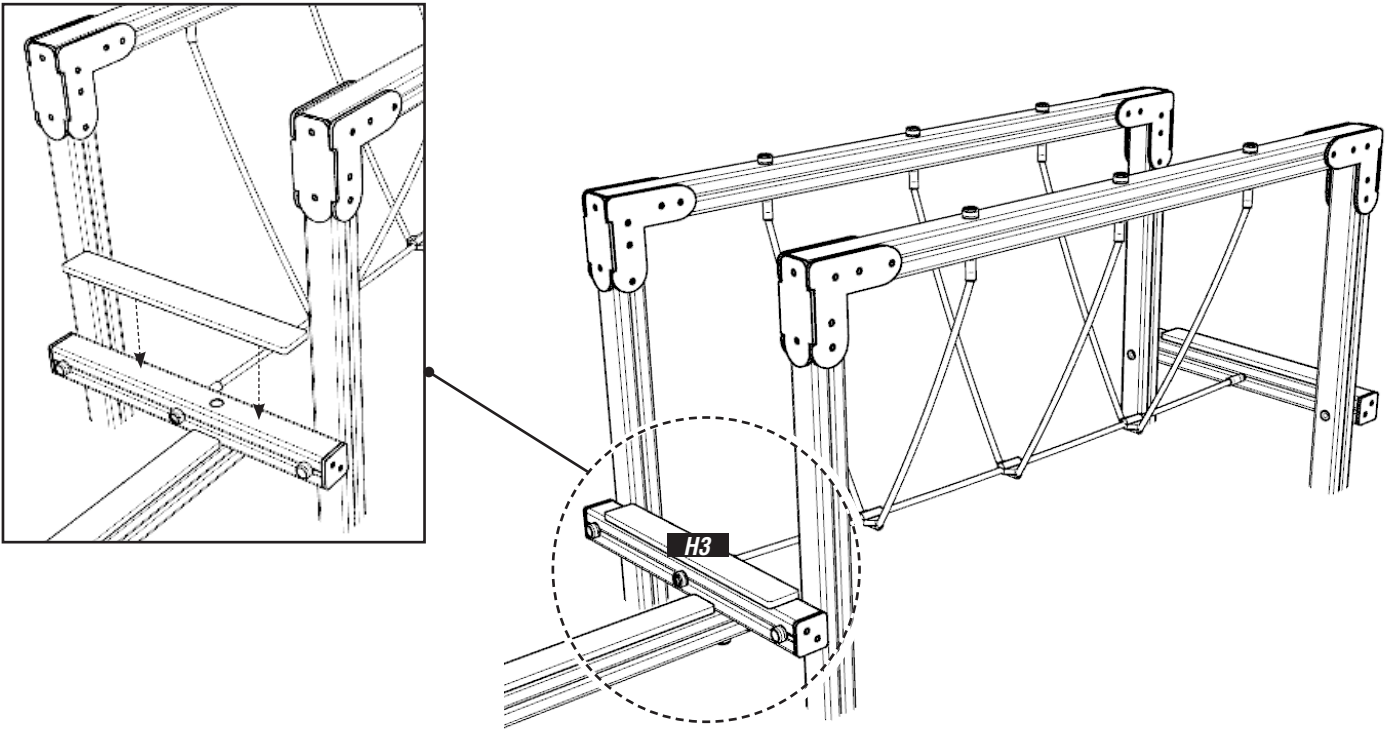
ATTACH PANEL ON OPPOSITE FACE TO BEAM  
ONE LOWER PLAYTEC PANEL HAS HOLE DRILLED FOR BOLT (SEE CNC)



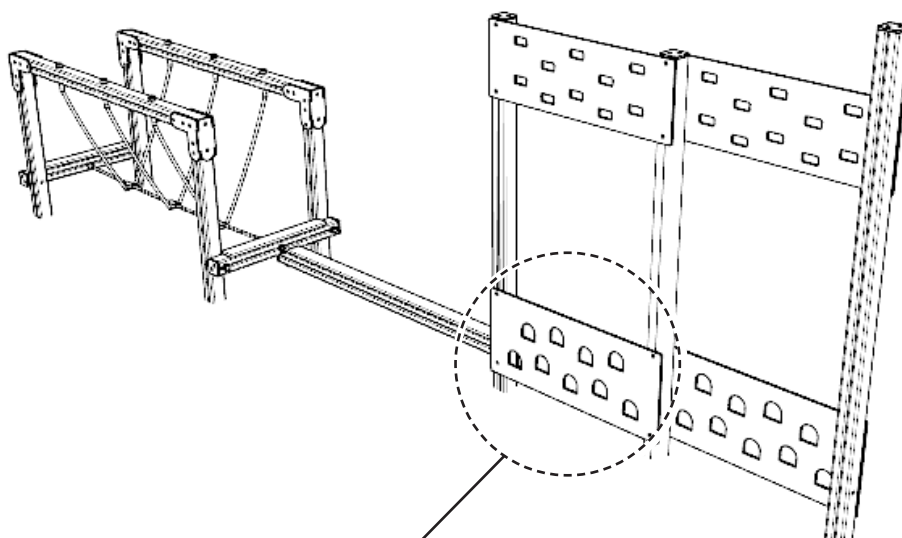
220 BOLT

# INSTALLATION INSTRUCTIONS

## 7 ATTACH H3 HEXBOARD SLAT USING 8X80MM WOOD SCREWS TO COVER COUNTERSUNK BOLT

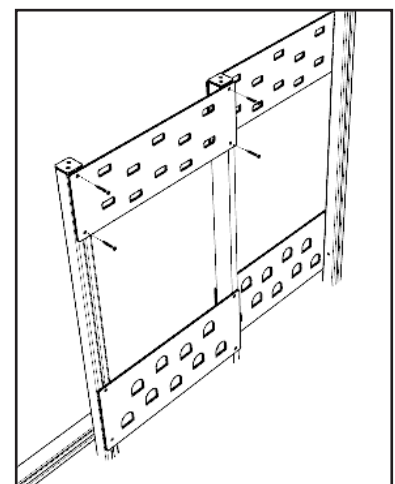


## 8 ATTACH REMAINING 3 PLAYTEC CLIMBING PANELS USING 8X80MM WOOD SCREWS



**NOTES:**  
ENSURE SECOND SET OF PANELS  
ARE ON OPPOSITE FACE TO FIRST

**NOTES:**  
THIS PANEL IS ALREADY ATTACHED AS  
PER STEP 6

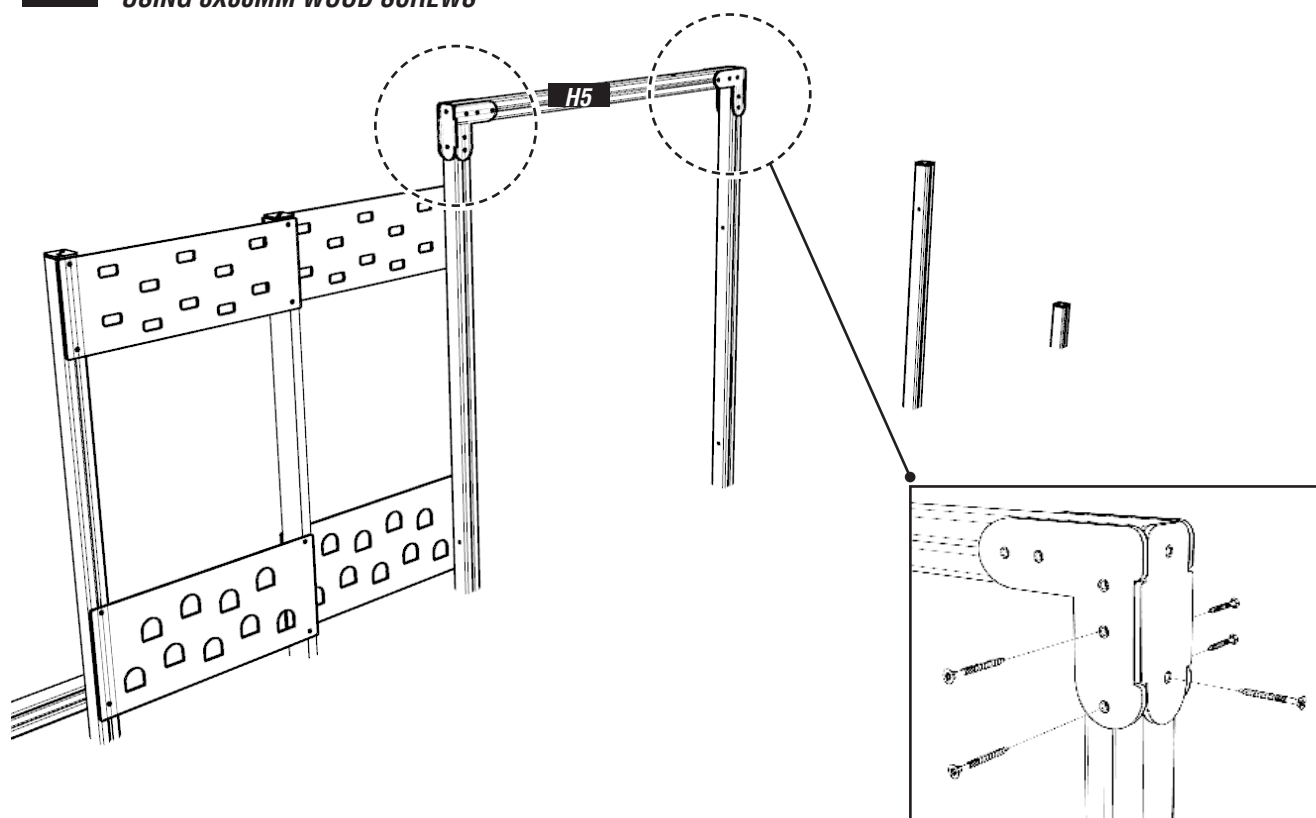


# INSTALLATION INSTRUCTIONS

**9**

**ATTACH TIMBER H5 USING PLAYTEC L'S**

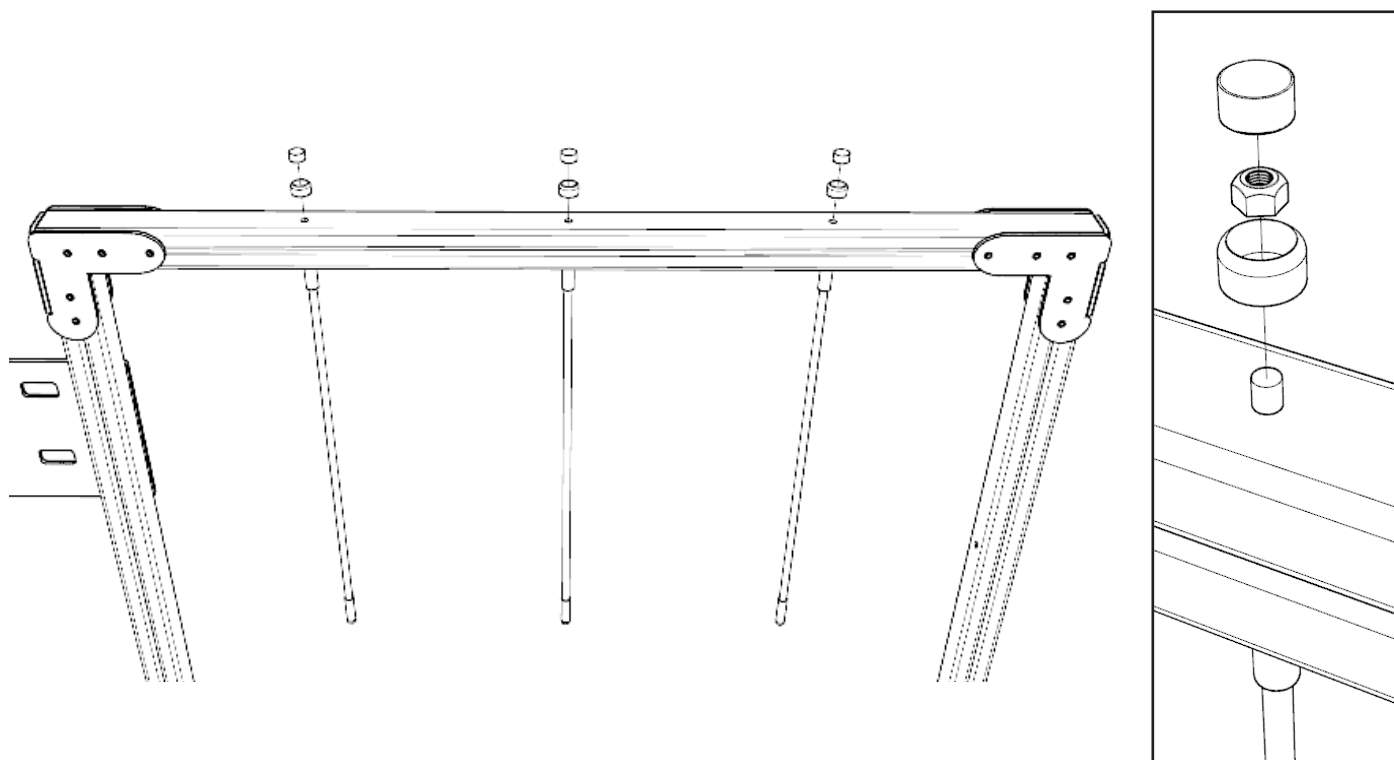
USING 8X80MM WOOD SCREWS



**10**

**ATTACH SWINGING ROPES TO TIMBER H5**

USING 656.M12 / 102003-01

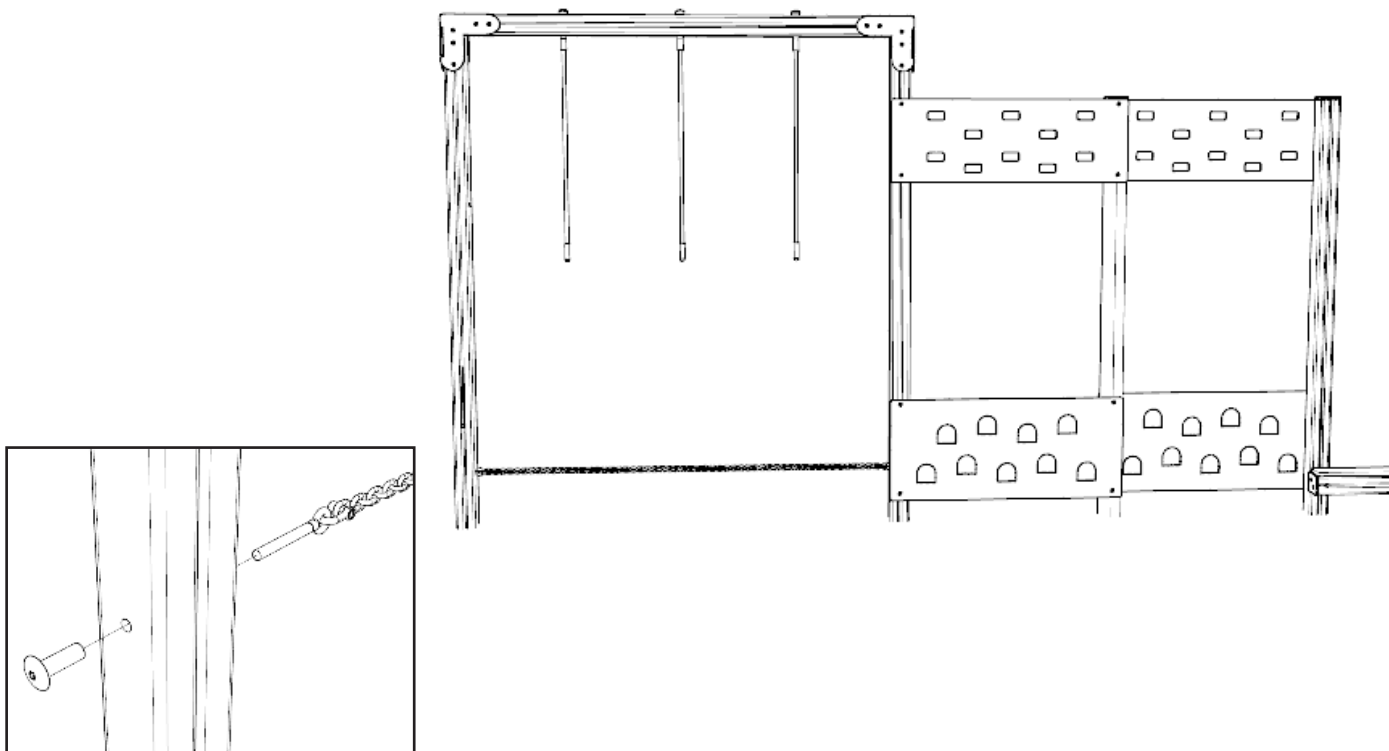


# INSTALLATION INSTRUCTIONS

**11**

## ATTACH SWINGING ROPE CHAIN

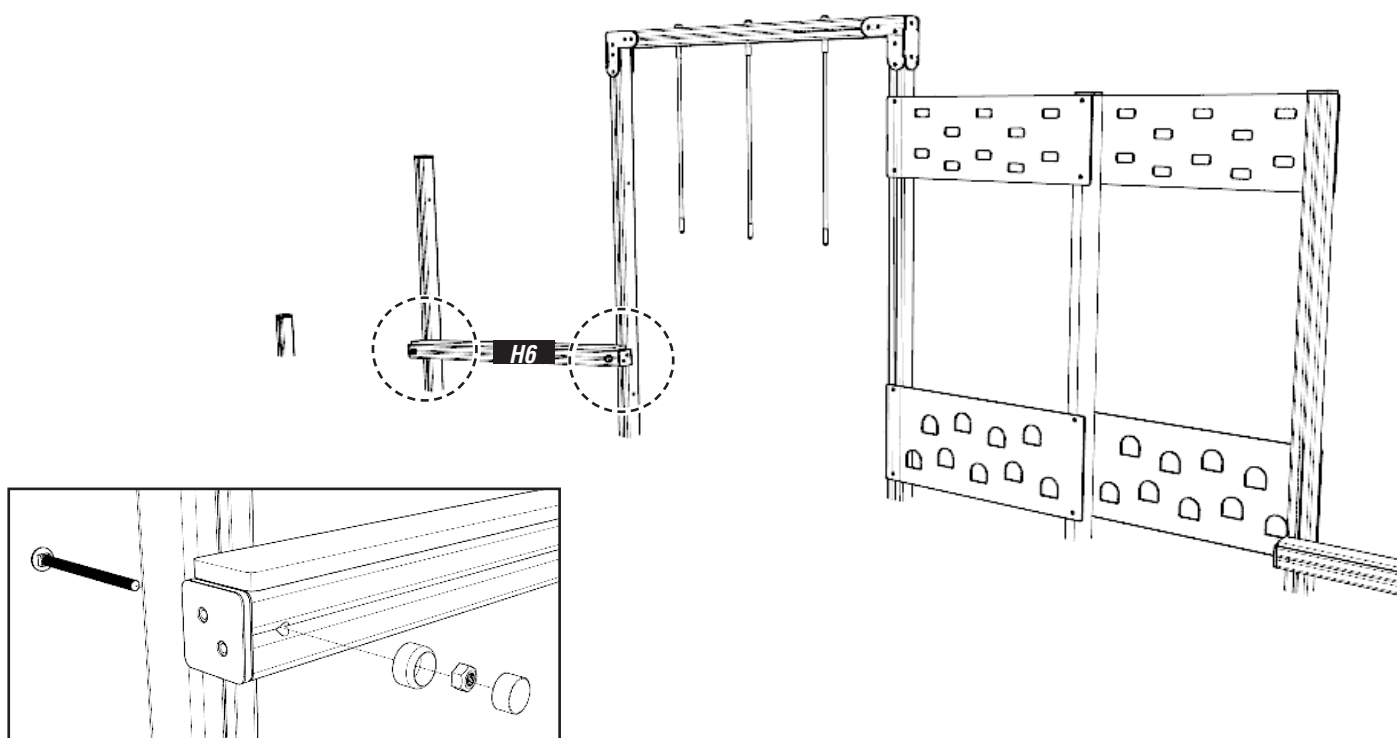
USING M12 X 50MM SOCKET NUT, D - SHACKLE AND EYEBOLT SHOULD BE PRE-ATTACHED TO CHAIN



**12**

## ATTACH TIMBER H6

USING 274.M12X200 / 656.M12 / 102003-01

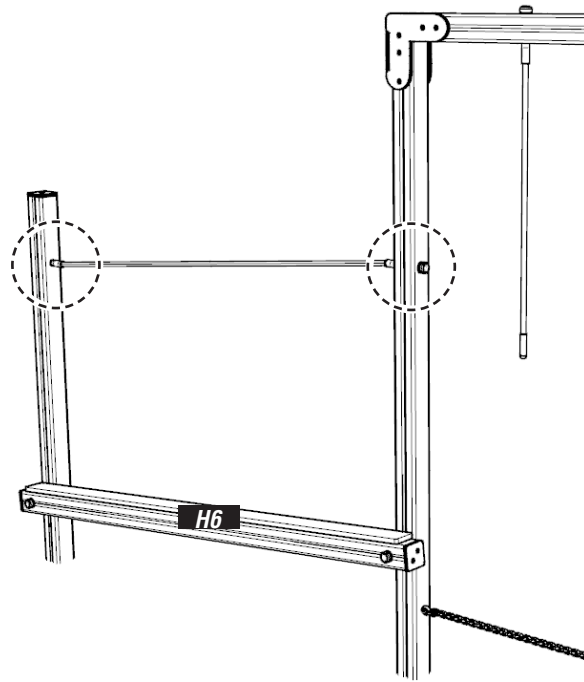
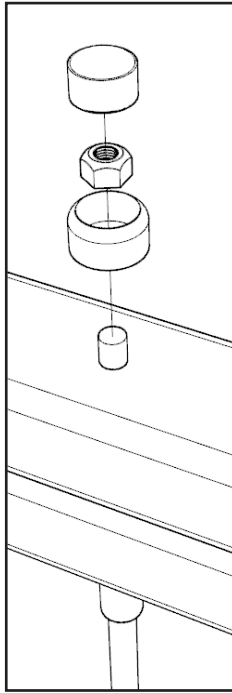




# INSTALLATION INSTRUCTIONS

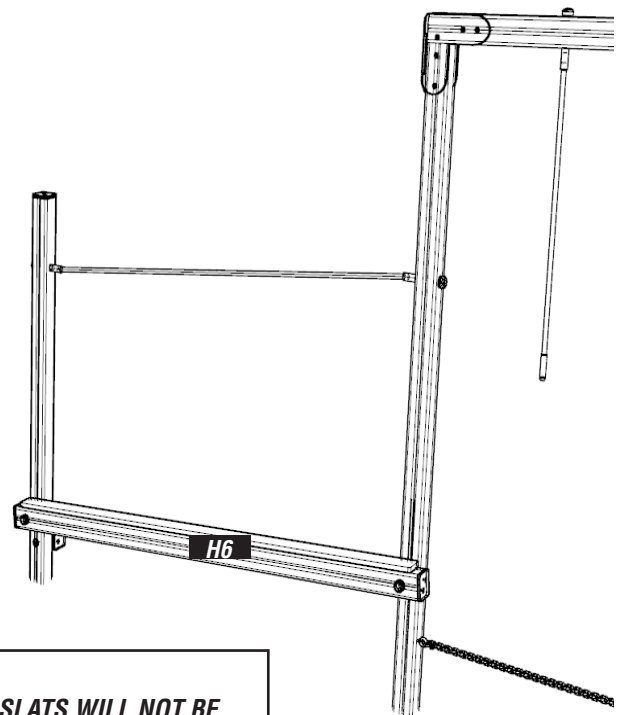
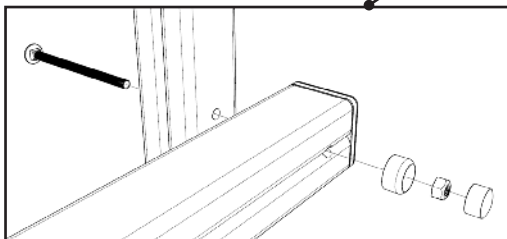
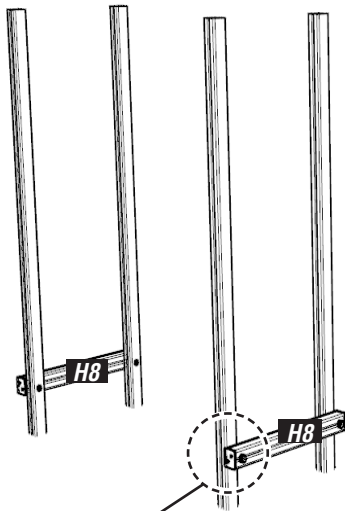
**13**

**ATTACH TRAVERSE ROPE ABOVE TIMBER H6**  
USING 656.M12 / 102003-01



**14**

**ATTACH H8 TIMBERS**  
USING 274.M12X200 / 656.M12 / 102003-01



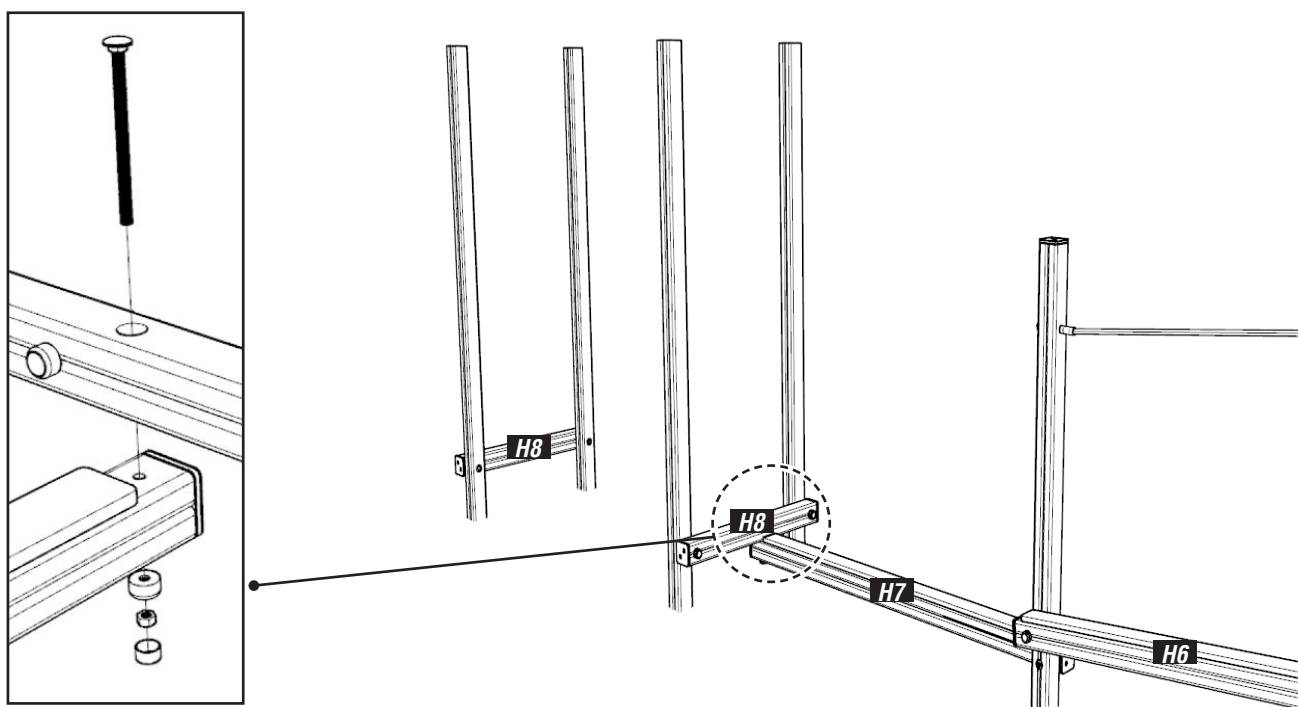
**NOTES:**  
H8 HEXBOARD SLATS WILL NOT BE  
ATTACHED UNTIL STEP 21

# INSTALLATION INSTRUCTIONS

**15**

## ATTACH TIMBER H7

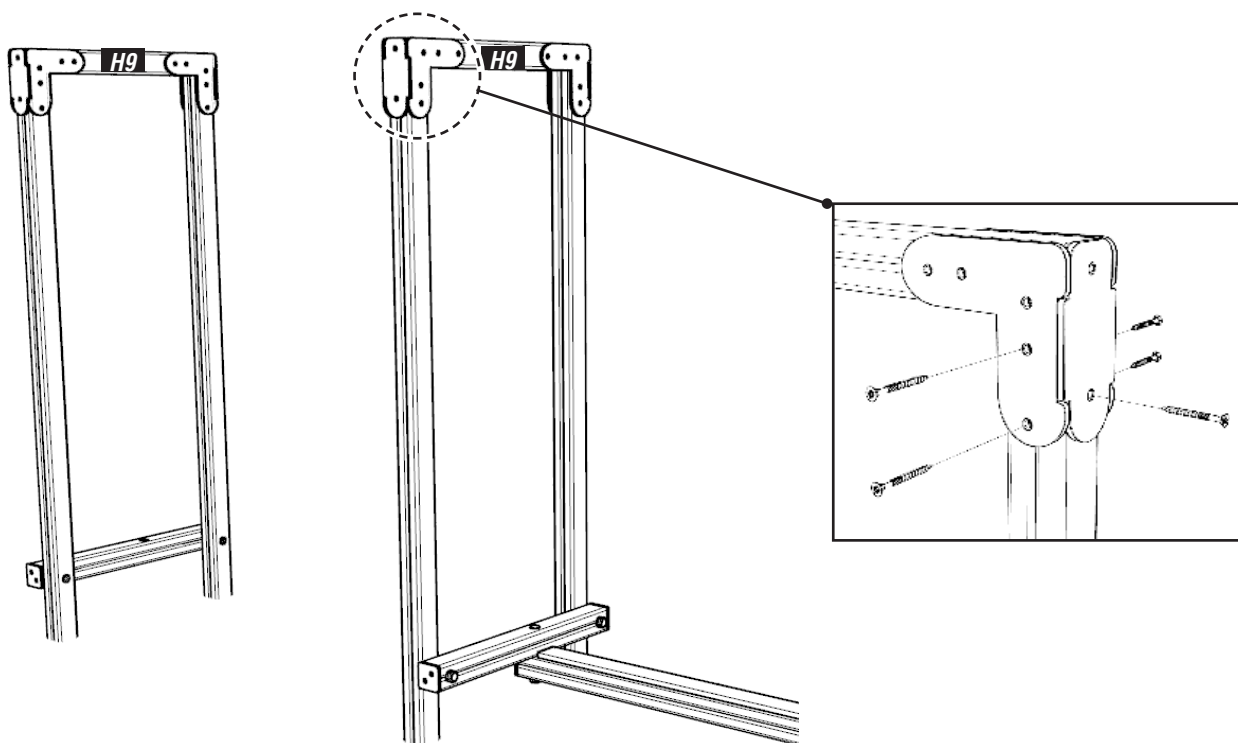
USING 274.M12X180 & 200 / 656.M12 / 102003-01



**16**

## ATTACH H9 TIMBERS USING PLAYTEC L'S

USING 8X80MM WOOD SCREWS

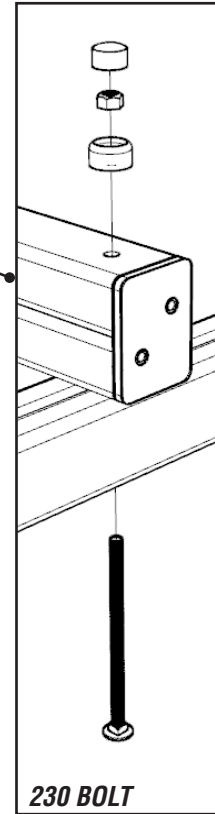
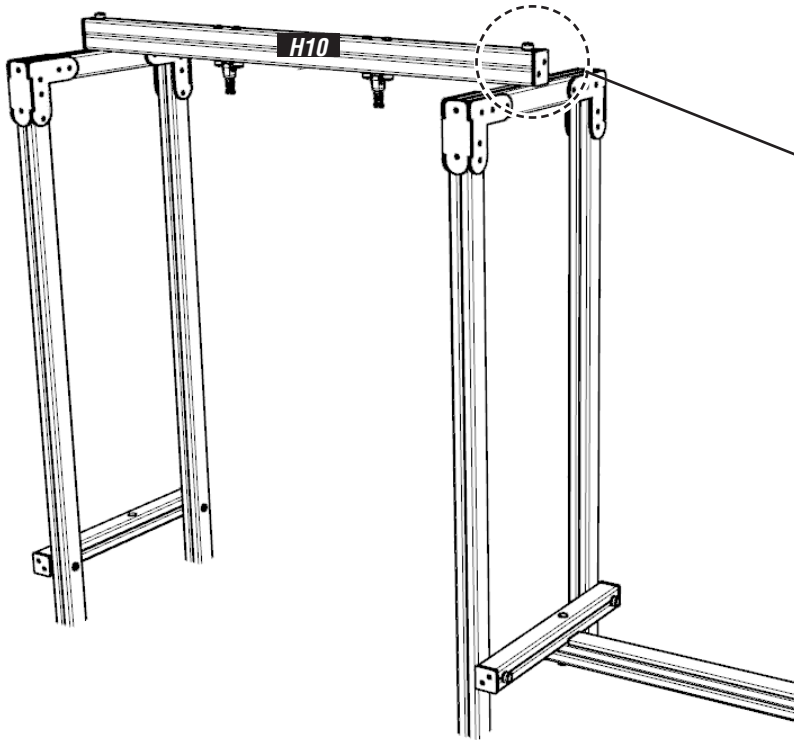


# INSTALLATION INSTRUCTIONS

**17**

## ATTACH TIMBER H10

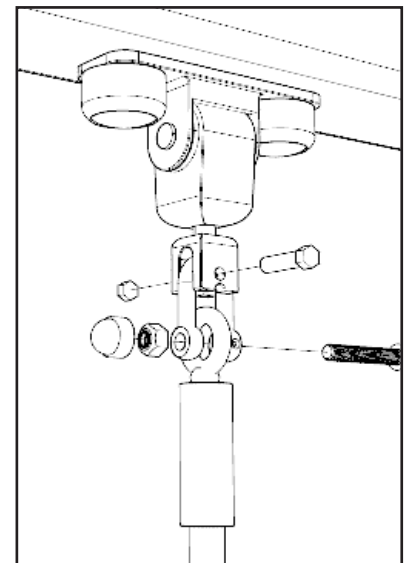
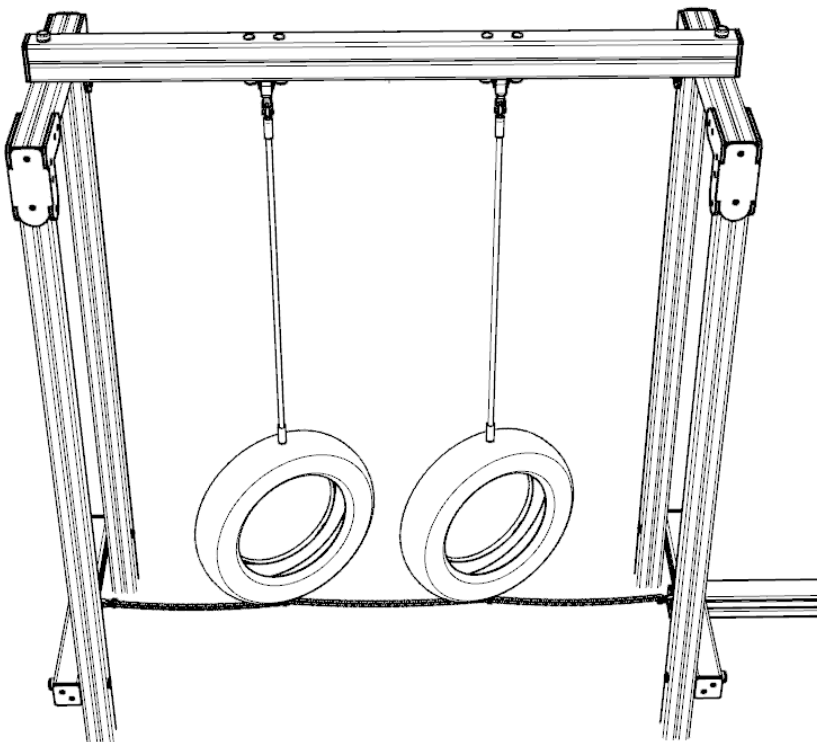
USING 274.M12X230 / 656.M12 / 102003-01



**18**

## ATTACH TYRES

USING D - SHACKLE SETS AS SHOWN

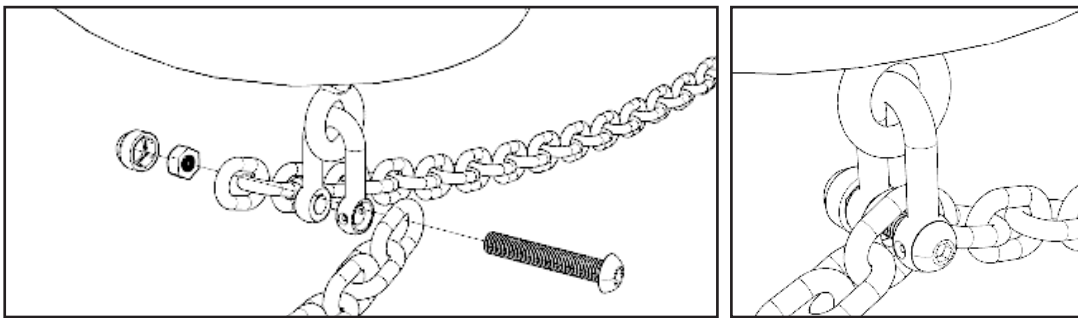
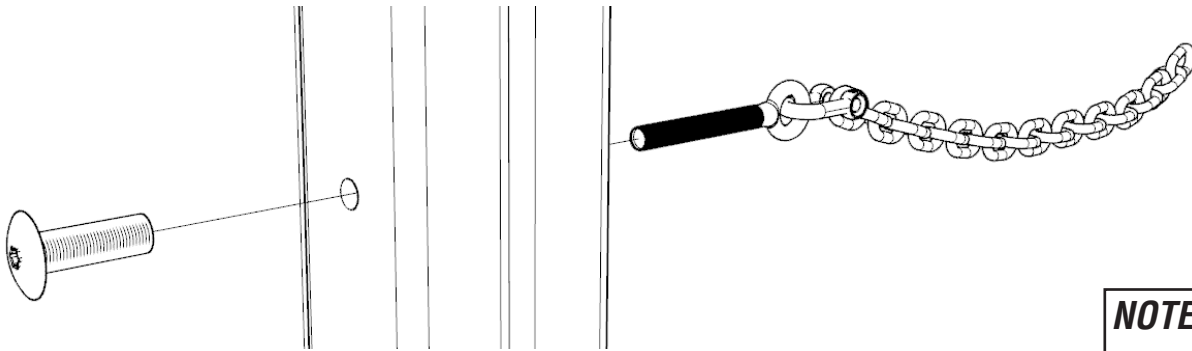


# INSTALLATION INSTRUCTIONS

**19**

## ATTACH TYRE CHAINS

USING M12 X 50MM SOCKET NUT ON EYEBOLT CHAINS & D- SHACKLE SETS ON MIDDLE CHAINS



### NOTES:

REPEAT EYEBOLT CHAIN ON BOTH SIDES

ATTACH MIDDLE CHAINS TO TYRES AS SHOWN

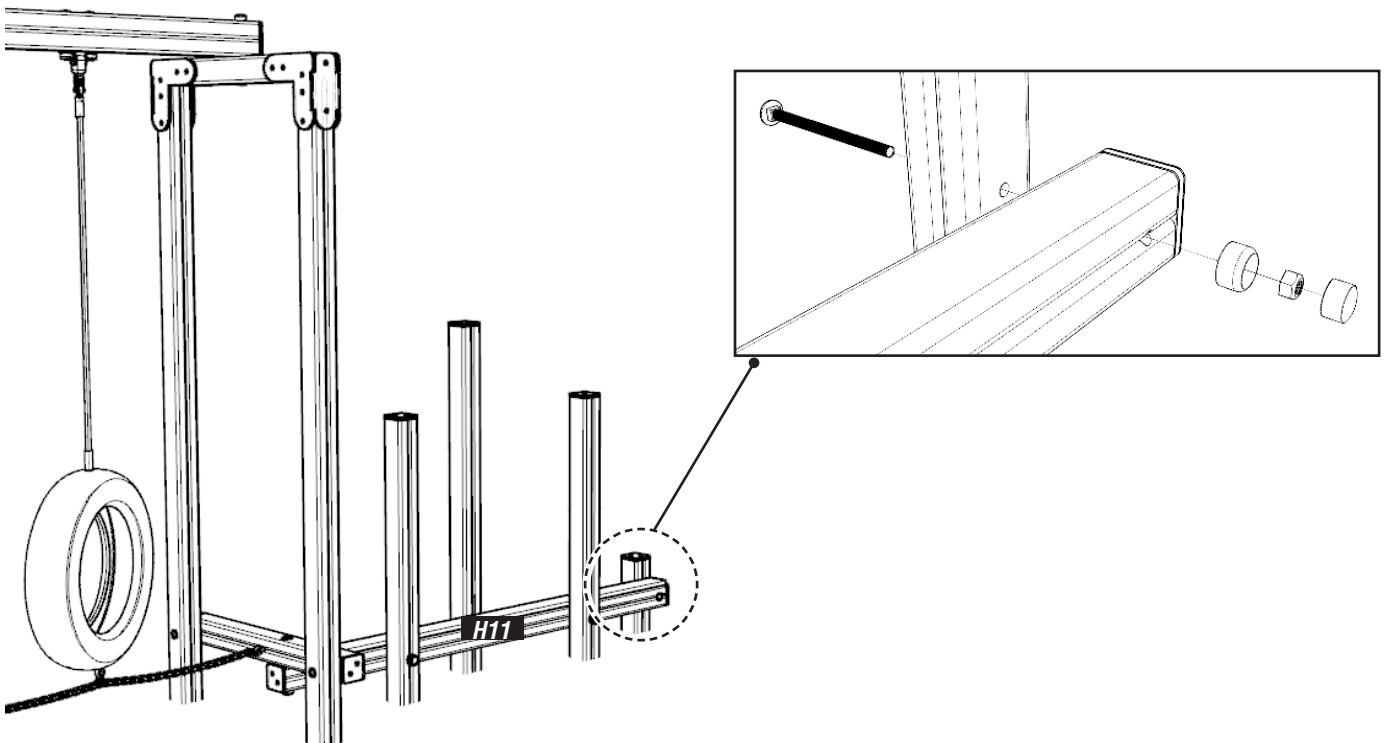
ENSURE CHAIN IS POSITION ON INSIDE OF D - RING

REMOVE LINKS IF NECESSARY

**20**

## ATTACH TIMBER H11 TO WEAVING POST UPRIGHTS

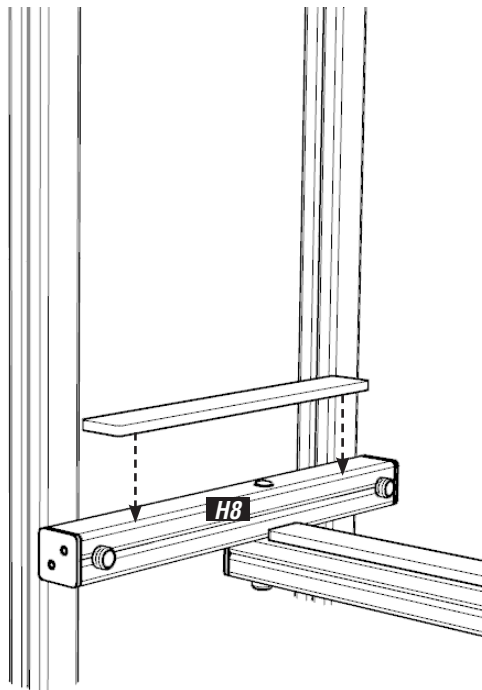
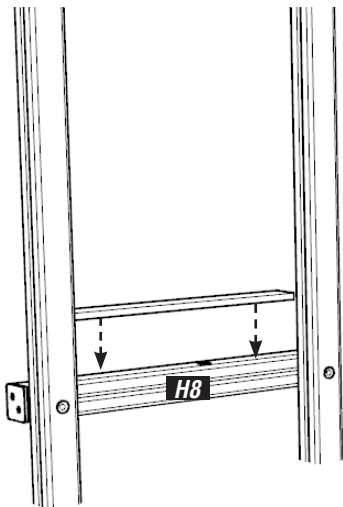
USING 274.M12X180 & 200 / 656.M12 / 102003-01



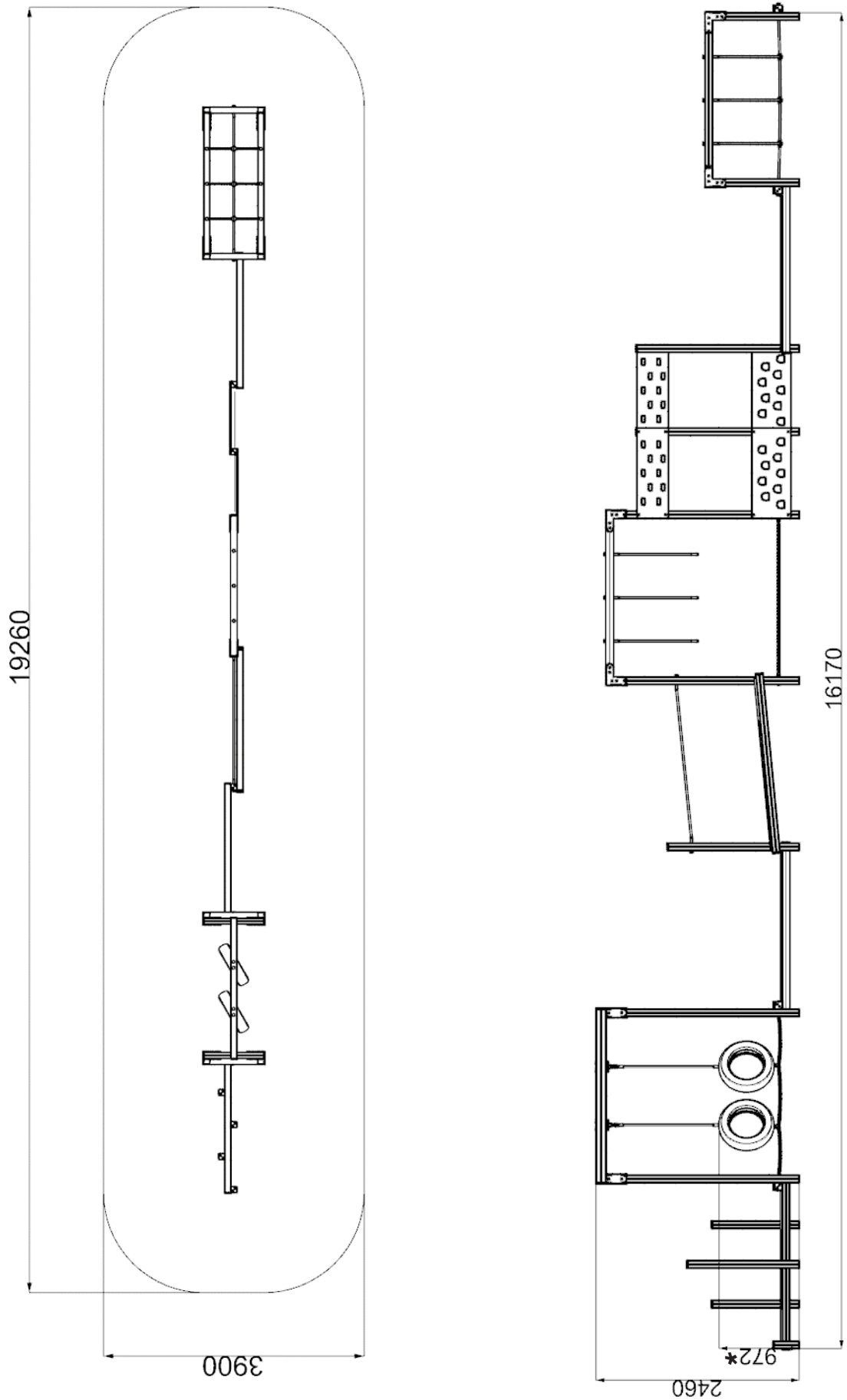
# INSTALLATION INSTRUCTIONS

---

## **21** ATTACH H8 HEXBOARD SLATS USING 8X80MM WOOD SCREWS



# ADDITIONAL DIMENSIONS



**\* MAX FALL HEIGHT**