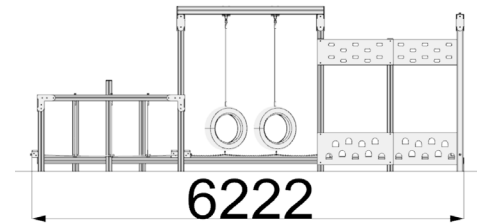
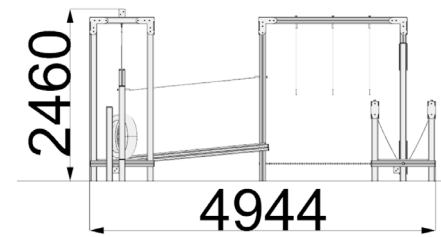
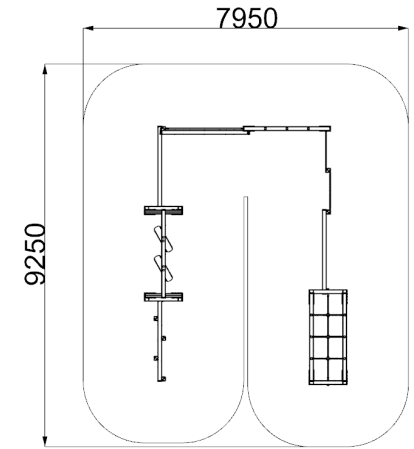


# ADVENTURE TRAIL 8-U SHAPED

**creative  
play**

AT8-U



*\*Measurements in millimetres*

## PRODUCT INFORMATION

PRODUCT CODE

AT8-U

DIMENSIONS LXWXH

4.95M X 6.24MX2.46M

AGE RANGE

5+

SPARE PART AVAILABILITY

2-4 WEEKS

## TECHNICAL INFORMATION

FREE FALL HEIGHT

1M

MINIMUM AREA

7.95MX9.25M

MIN. SURFACING AREA

74SQM

STANDARDS COMPLIANCE

BSEN1176

## DOWNLOADS

PRODUCT WEBPAGE



MAINTENANCE INFORMATION



*\*Information correct at time of creation*