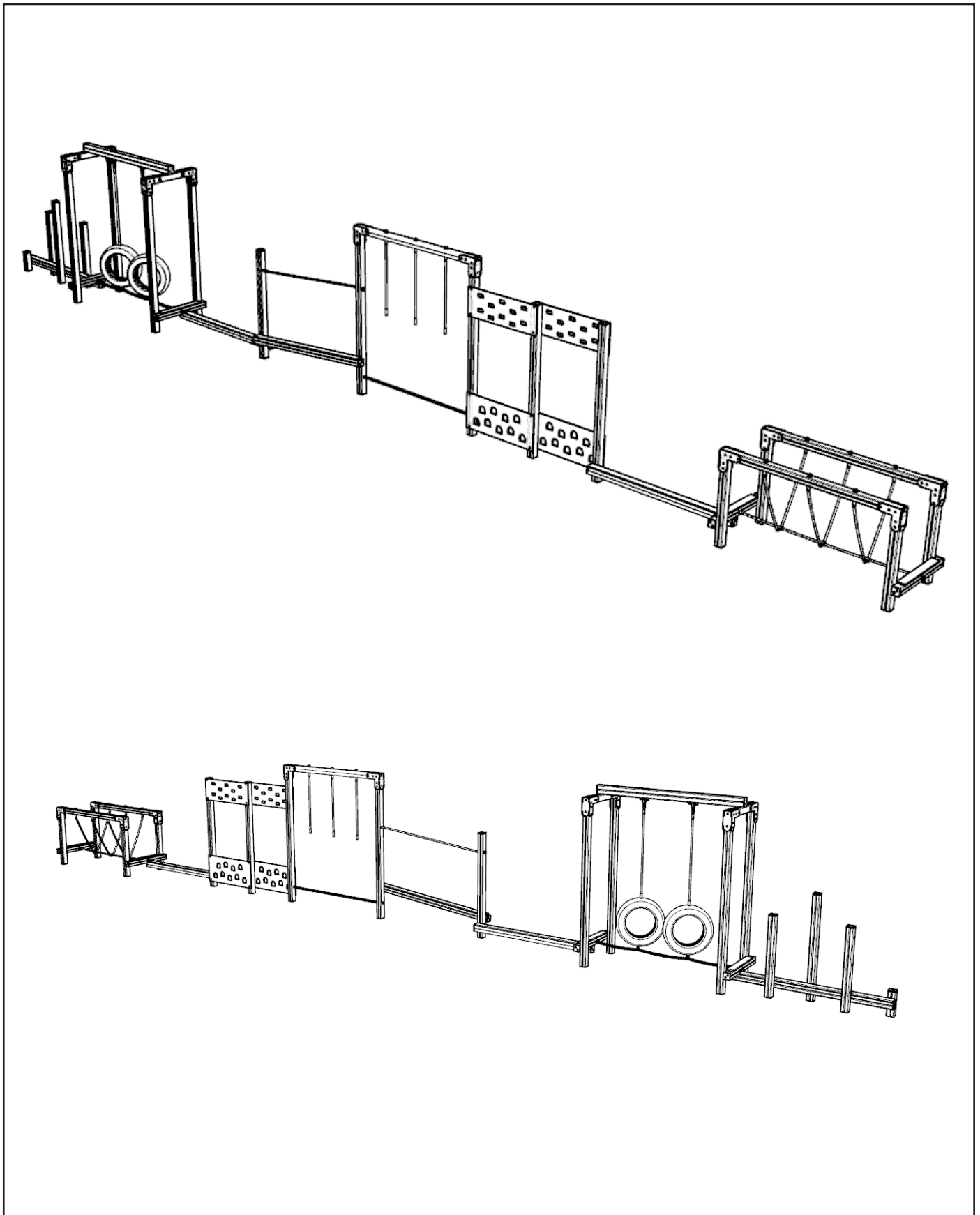


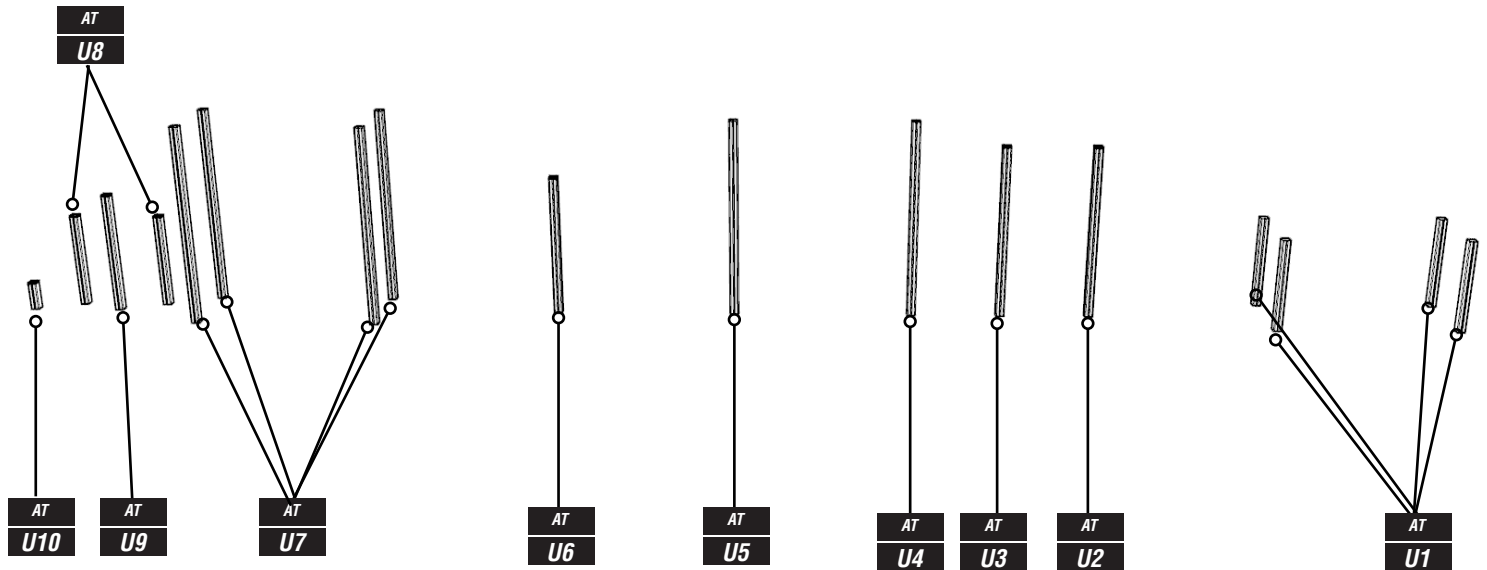
AT8 - ADVENTURE TRAIL 8

Installation Instructions

**creative
play**



PARTS REQUIRED

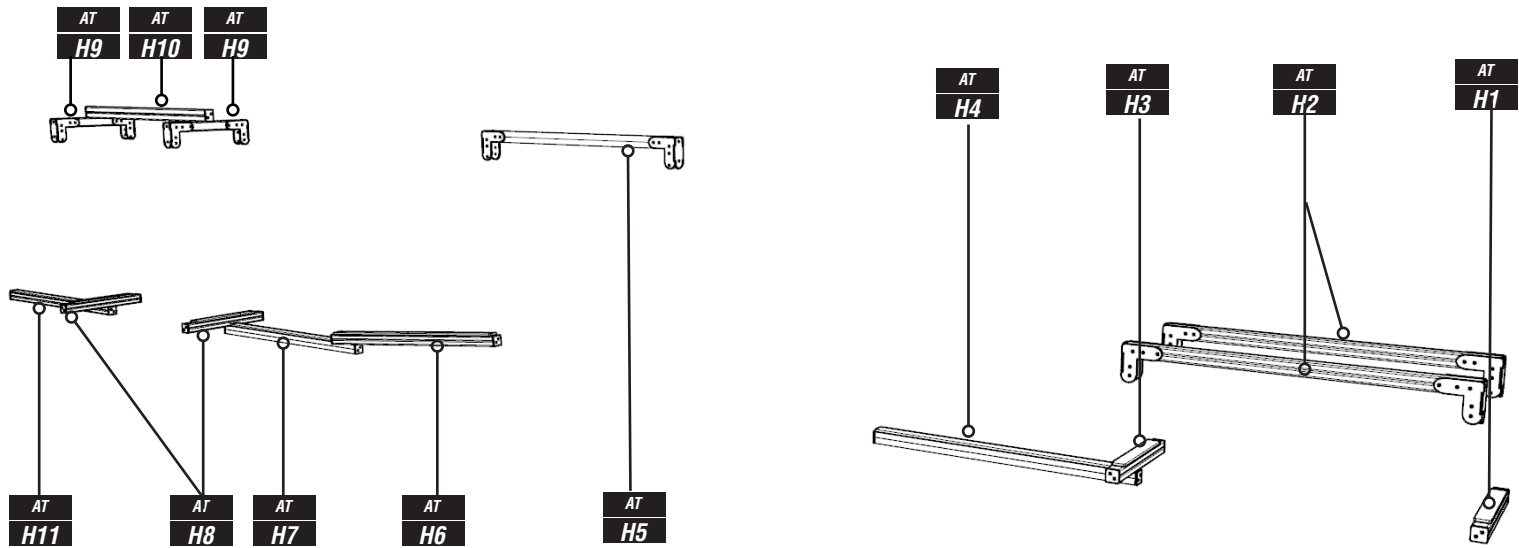


UPRIGHT TIMBERS

*PLEASE NOTE ALL H TIMBERS ARE PRE-ASSEMBLED WITH PLAYTEC L's AND/OR HEXBOARD (AS SHOWN ABOVE)

CODE	SIZE	QTY	END	ADDITIONAL INFORMATION
AT - U1	1800	4	-	UPRIGHT TIMBER
AT - U2	2715	1	END CAP	UPRIGHT TIMBER
AT - U3	2715	1	END CAP	UPRIGHT TIMBER
AT - U4	3000	1	-	UPRIGHT TIMBER
AT - U5	3000	1	-	UPRIGHT TIMBER
AT - U6	2335	1	END CAP	UPRIGHT TIMBER
AT - U7	3000	4	-	UPRIGHT TIMBER
AT - U8	1800	2	END CAP	UPRIGHT TIMBER
AT - U9	2100	1	END CAP	UPRIGHT TIMBER
AT - U10	1055	1	END CAP	UPRIGHT TIMBER

PARTS REQUIRED

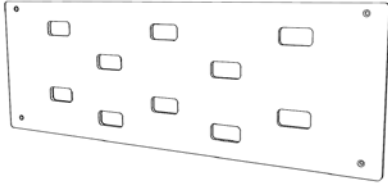


HORIZONTAL TIMBERS

*PLEASE NOTE ALL H TIMBERS ARE PRE-ASSEMBLED WITH PLAYTEC L'S AND/OR HEXBOARD (AS SHOWN ABOVE)

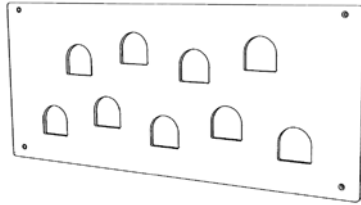
CODE	SIZE	QTY	START	END	ADDITIONAL INFORMATION
AT - H1	900	1	END CAP	END CAP	HORIZONTAL TIMBER (HEXA GRIP SLAT)
AT - H2	2100	2	PLAYTEC L'S	PLAYTEC L'S (90x90)	HORIZONTAL TIMBER
AT - H3	900	1	END CAP	END CAP	HORIZONTAL TIMBER (HEXA GRIP SLAT)
AT - H4	2010	1	END CAP	END CAP	HORIZONTAL TIMBER (HEXA GRIP SLAT)
AT - H5	2100	1	PLAYTEC L'S	PLAYTEC L'S	HORIZONTAL TIMBER
AT - H6	2160	1	END CAP	END CAP	HORIZONTAL TIMBER (HEXA GRIP SLAT)
AT - H7	2010	1	END CAP	END CAP	HORIZONTAL TIMBER (HEXA GRIP SLAT)
AT - H8	900	2	END CAP	END CAP	HORIZONTAL TIMBER (HEXA GRIP SLAT)
AT - H9	900	2	PLAYTEC L'S	PLAYTEC L'S	HORIZONTAL TIMBER
AT - H10	2100	1	END CAP	END CAP	HORIZONTAL TIMBER
AT - H11	2010	1	END CAP	END CAP	HORIZONTAL TIMBER (HEXA GRIP SLAT)

PARTS REQUIRED



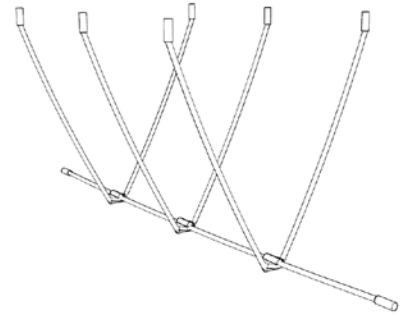
x2

CLIMBING PANELS (UPPER)



x2

CLIMBING PANELS (LOWER)



x1

ROPE BRIDGE



x3

SWINGING ROPES



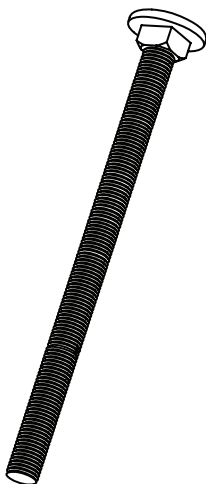
x1

SWINGING ROPE CHAIN



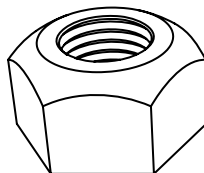
x1

TRAVERSE ROPE



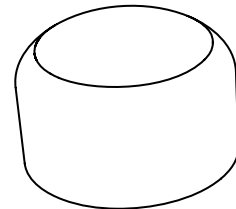
x15

274.M12X200



x33

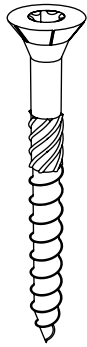
656.M12



x33

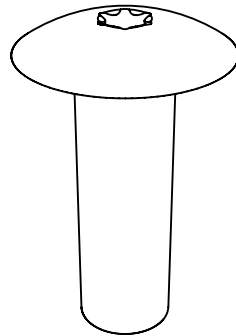
102003-01 - M12

PARTS REQUIRED



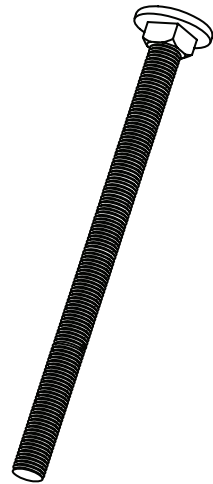
x67

97.M8X80CSK



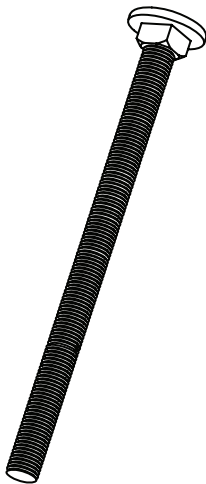
x4

M12 SOCKET NUT (50MM)



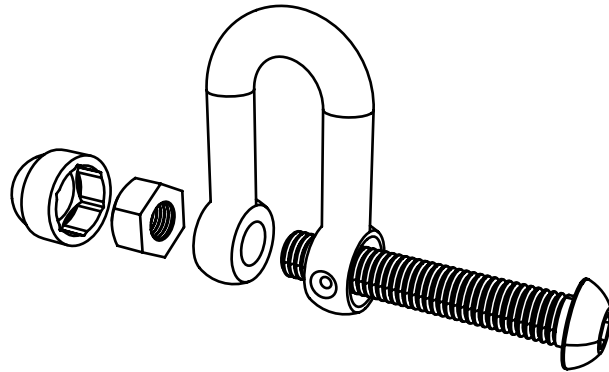
x1

274.M12X220



x3

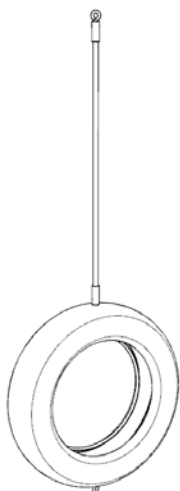
274.M12X180



CONSISTS OF
SHACKLE / BOLT / NYLOC / CAP

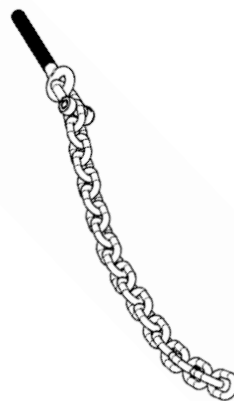
x6

349.742.D-SHACKLE 'SET'



x2

TYRE



x2

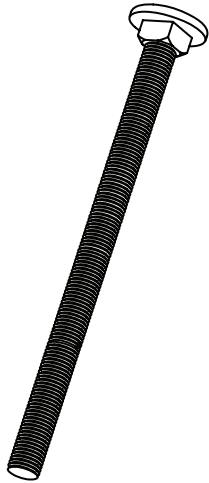
625MM TYRE CHAIN (EYEBOLT)



x1

740MM TYRE CHAIN

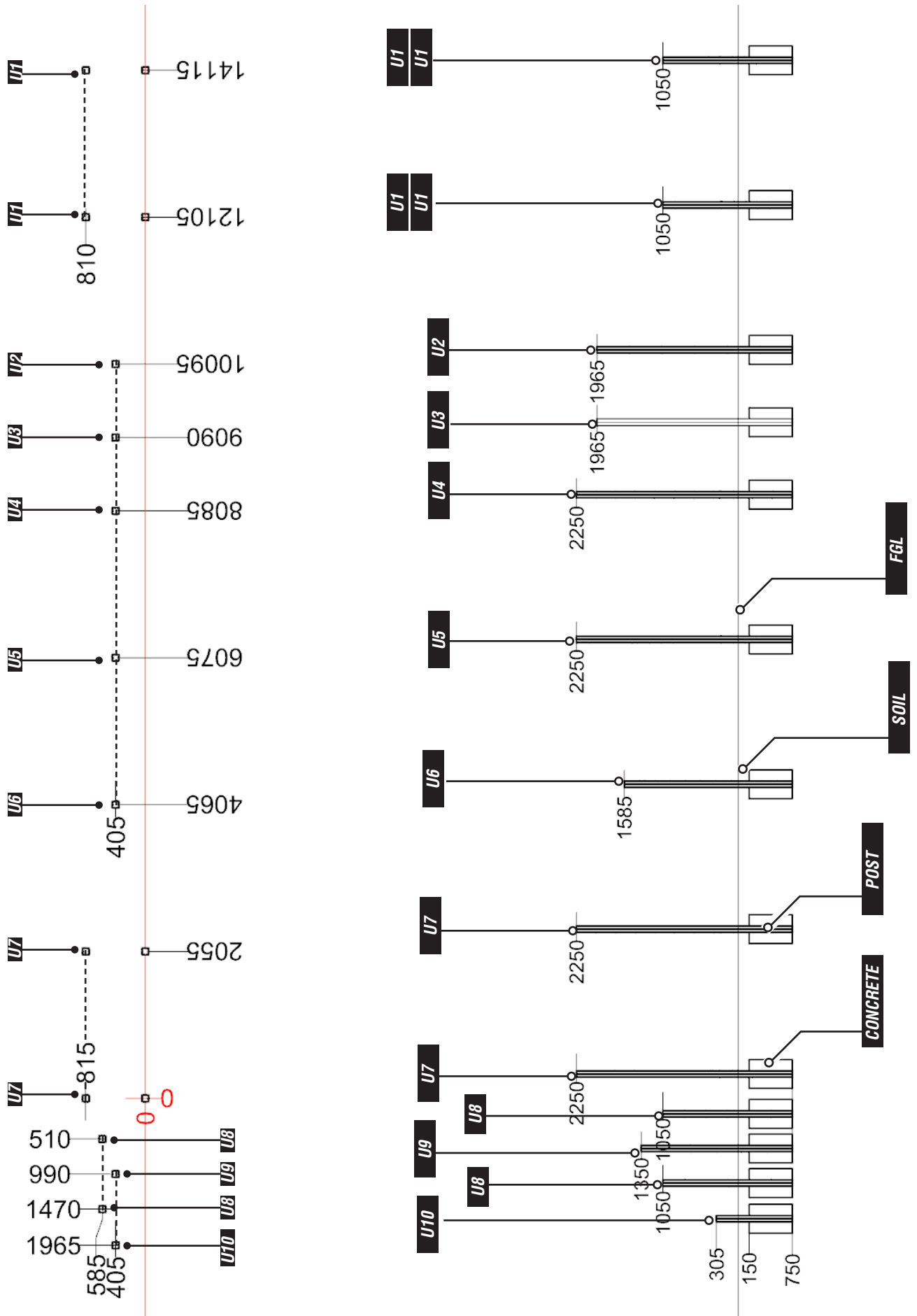
PARTS REQUIRED



x2

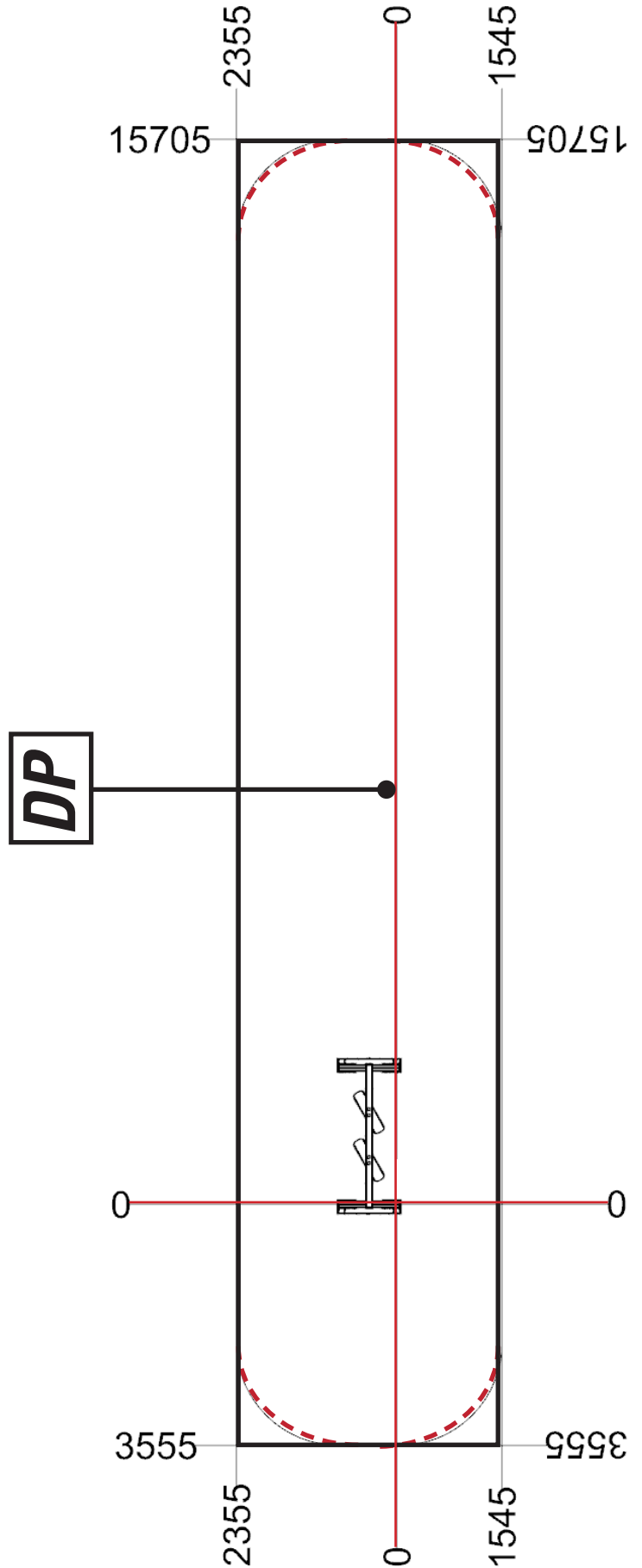
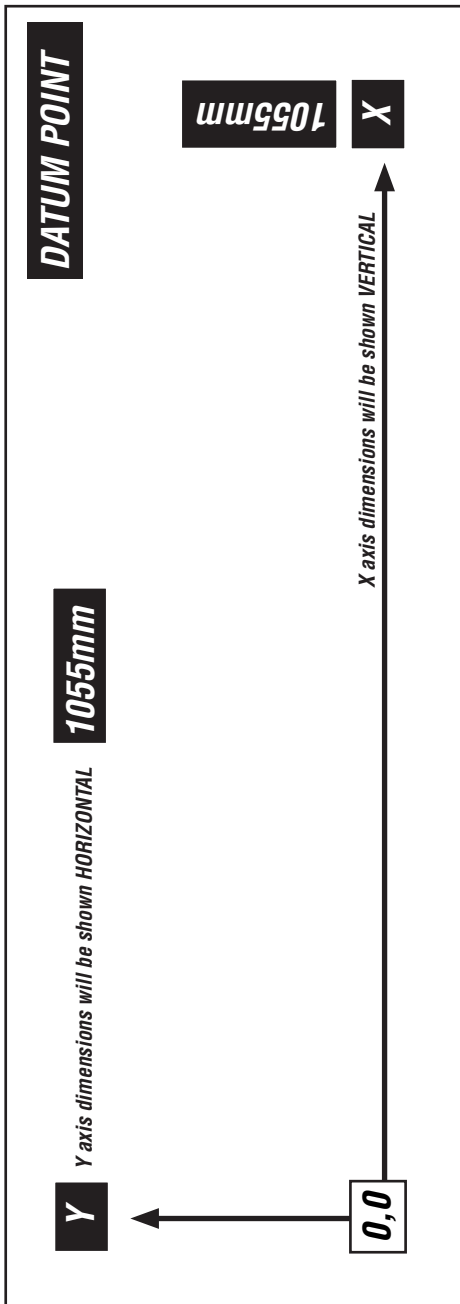
274.M12X230

FOUNDATION DETAILS



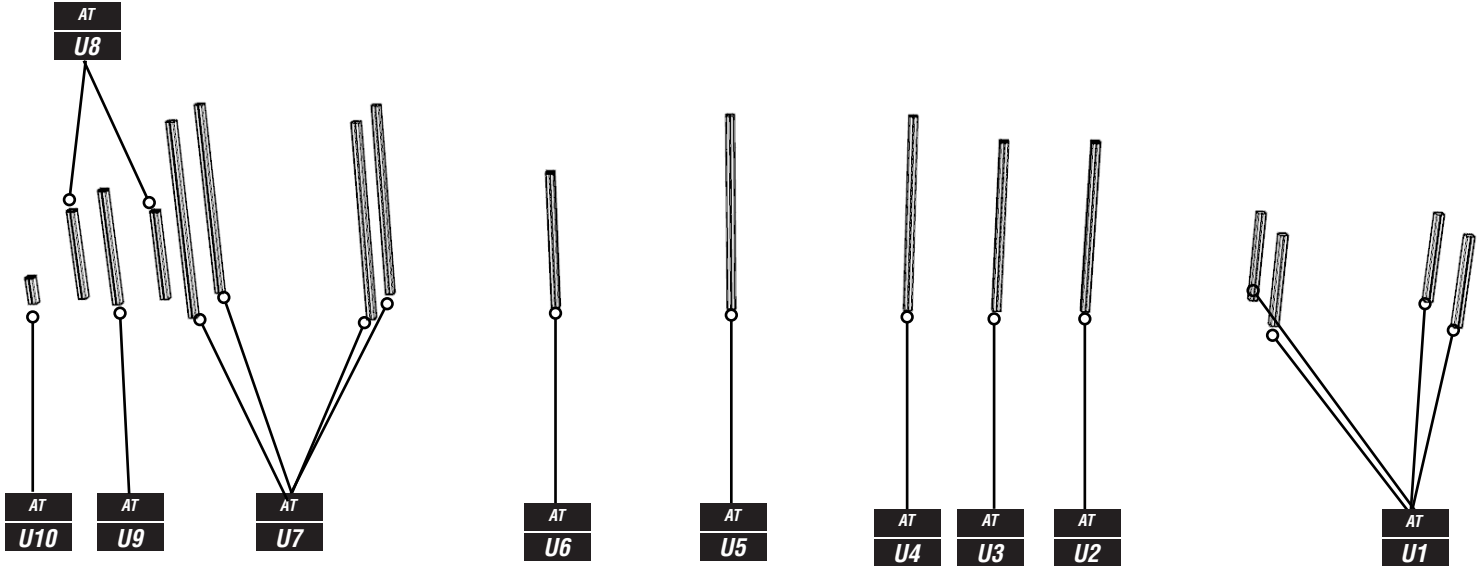
SURFACING DETAILS

- - - = MINIMUM SPACE
— = OVERALL AREA

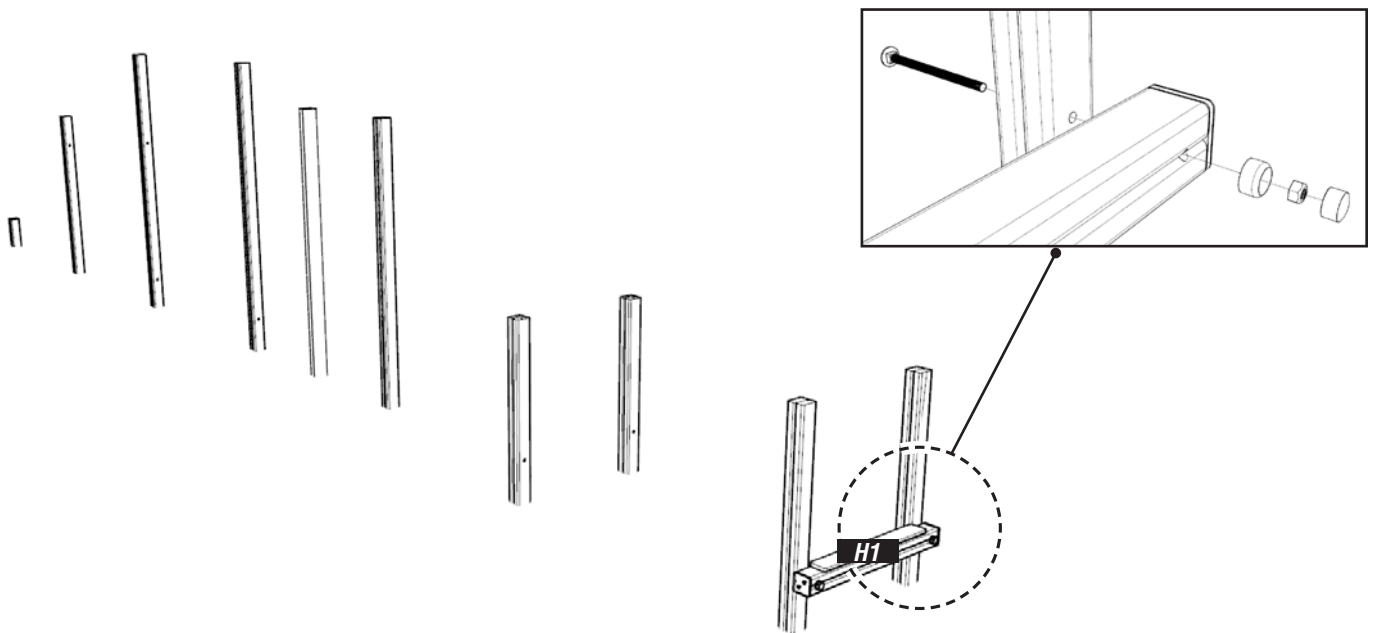


INSTALLATION INSTRUCTIONS

1 POSITION THE UPRIGHT TIMBERS FOLLOWING FOUNDATION DETAILS

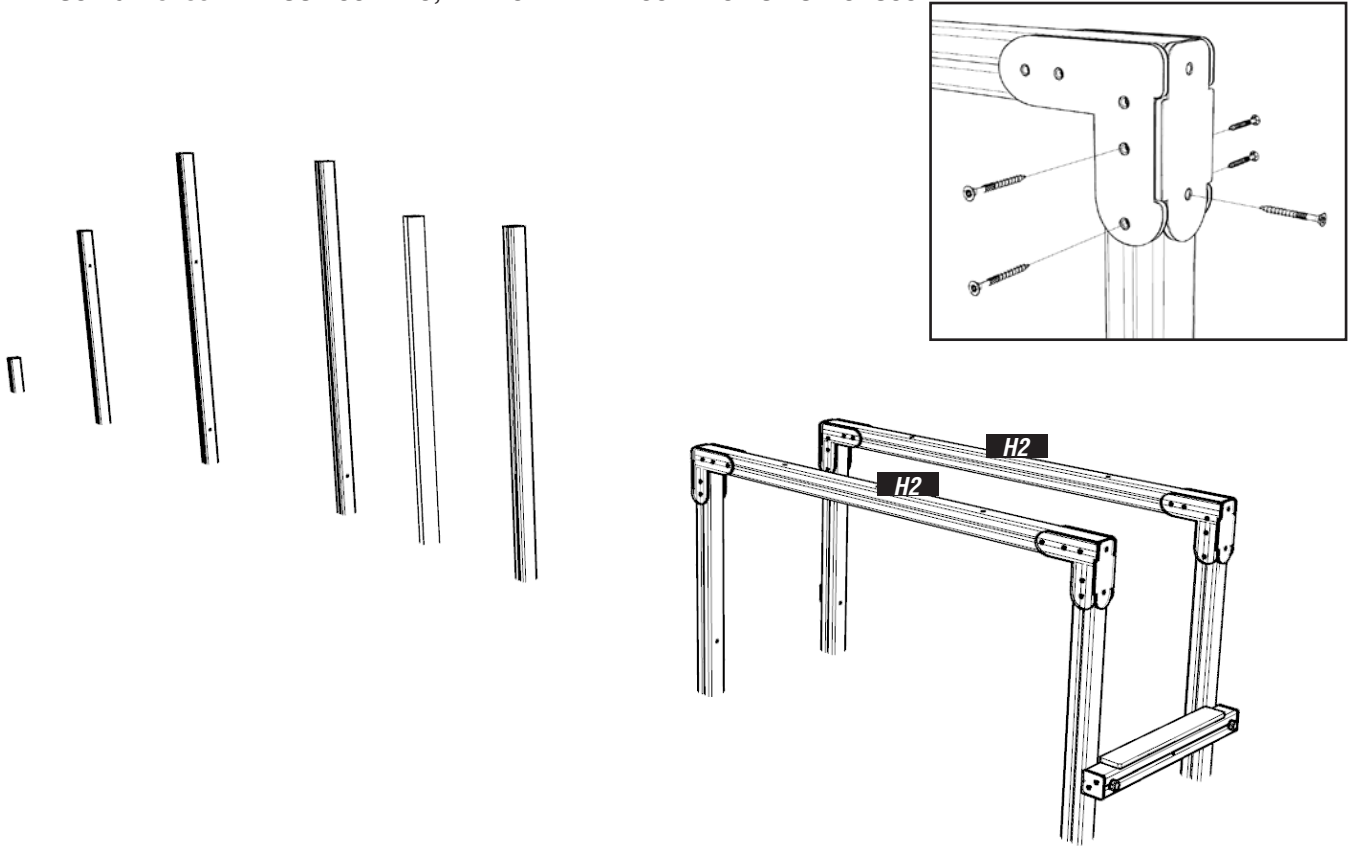


2 ATTACH TIMBER H1 USING 274.M12X200 / 656.M12 / 102003-01, SECURE HEXBOARD WITH M8X80MM WOOD SCREWS

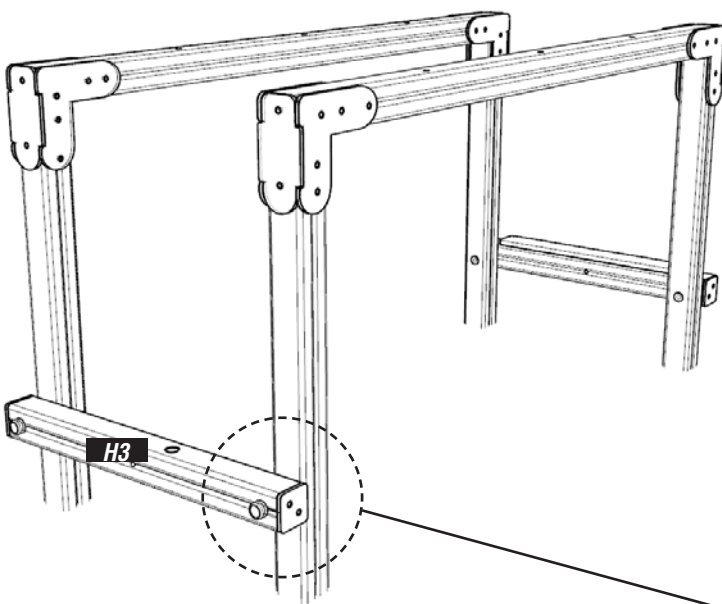


INSTALLATION INSTRUCTIONS

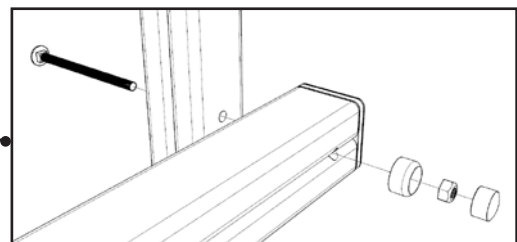
3 ATTACH H2 TIMBERS USING PLAYTEC L'S
USING M8X80MM WOOD SCREWS, TAKE CARE THAT SCREWS DO NOT 'CROSS'



4 ATTACH TIMBER H3
USING 274.M12X200 / 656.M12 / 102003-01



NOTES:
H3 HEXBOARD SLAT WILL NOT BE ATTACHED UNTIL STEP 7

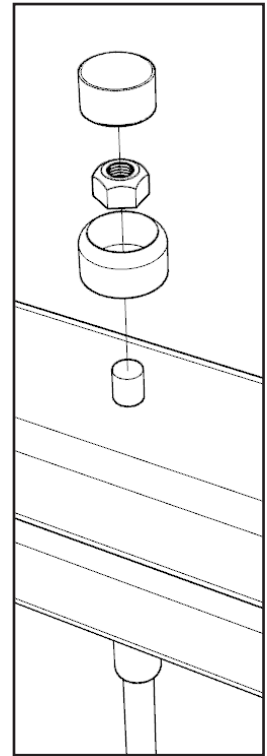
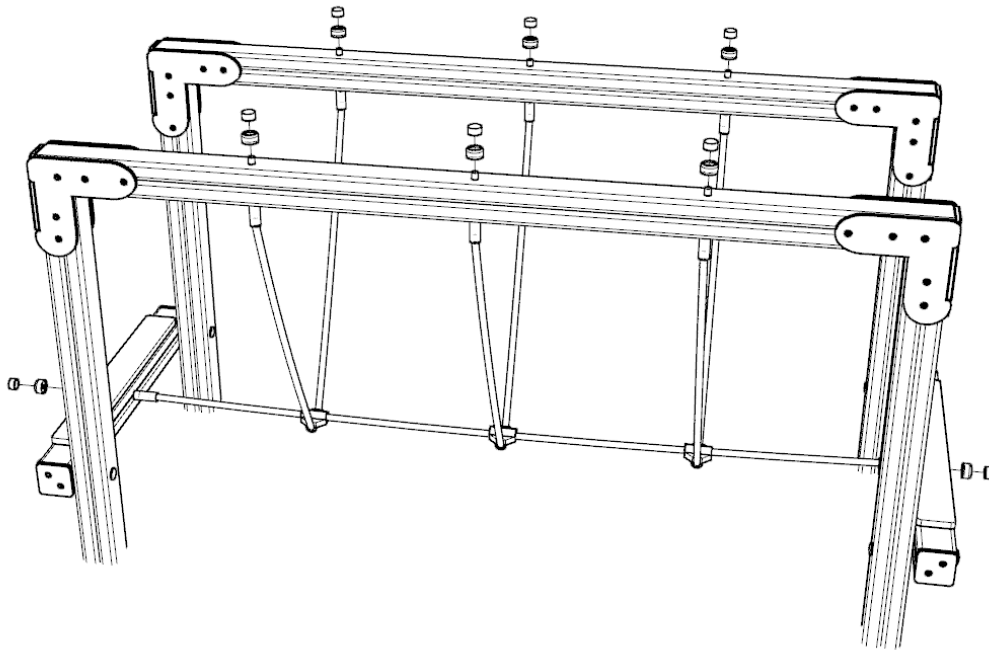


INSTALLATION INSTRUCTIONS

5

ATTACH ROPE BRIDGE

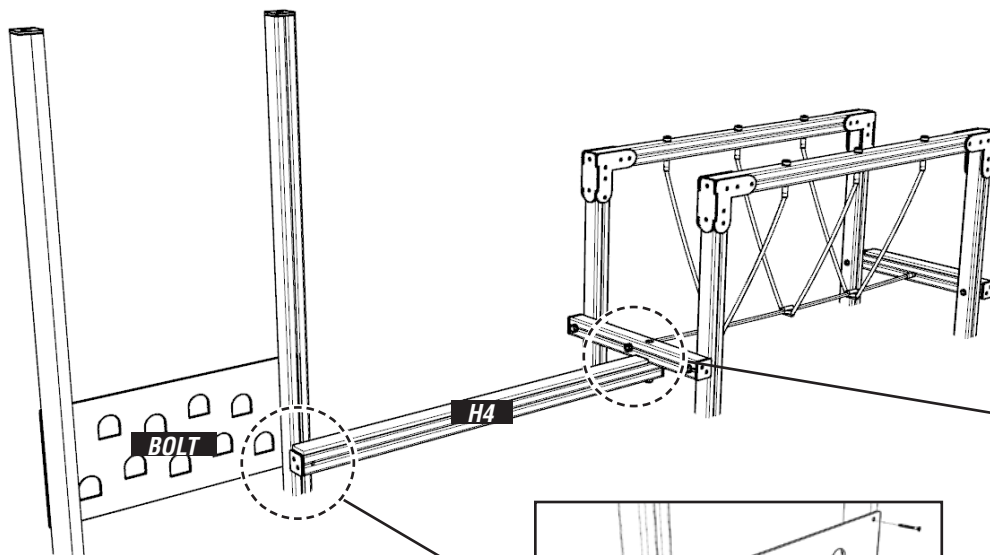
USING 656.M12 / 102003-01



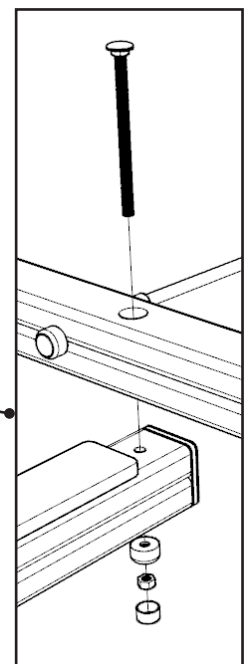
6

ATTACH TIMBER H4 AND LOWER PLAYTEC CLIMBING PANEL SHOWN

USING 274.M12X180 & 220 / 656.M12 / 102003-01 AND M8X80MM WOOD SCREWS

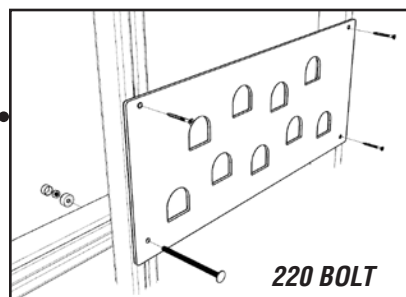


180 BOLT



NOTES:

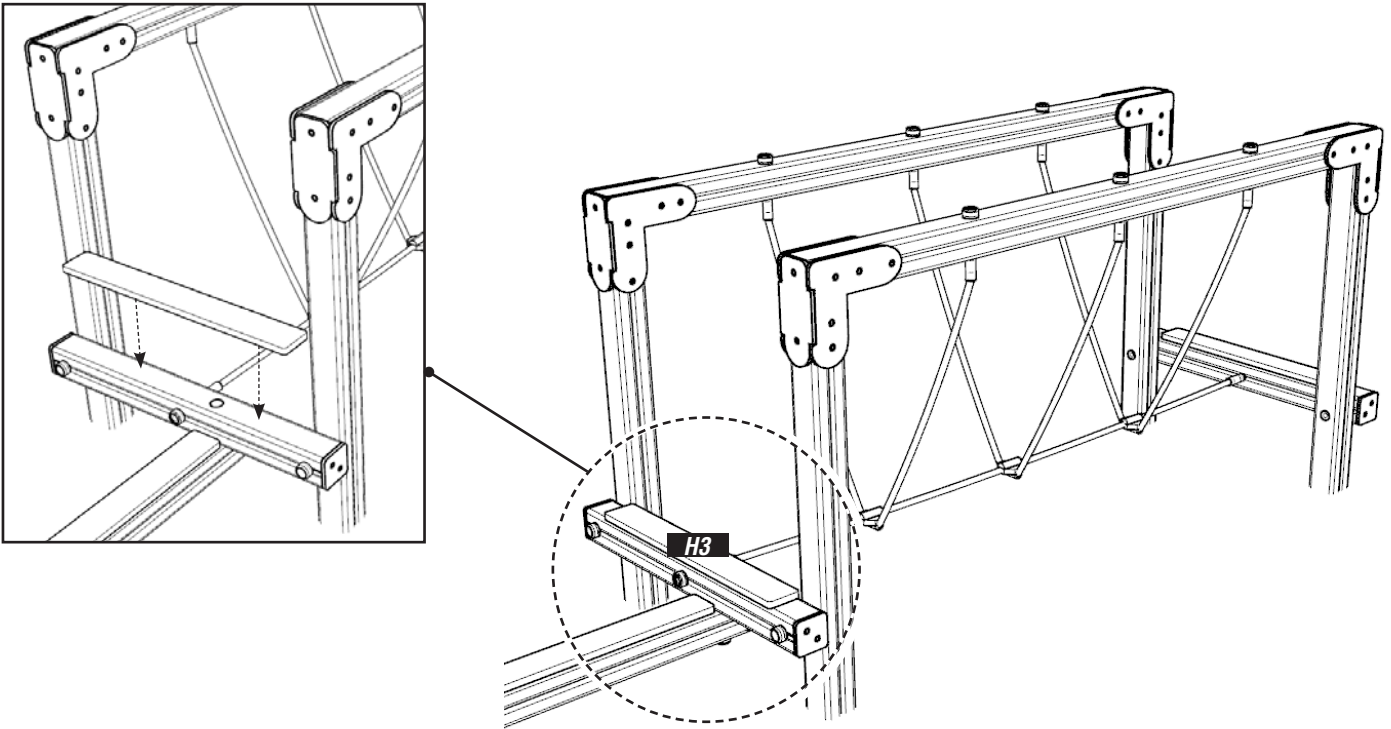
ATTACH PANEL ON OPPOSITE FACE TO BEAM
ONE LOWER PLAYTEC PANEL HAS HOLE DRILLED FOR BOLT (SEE CNC)



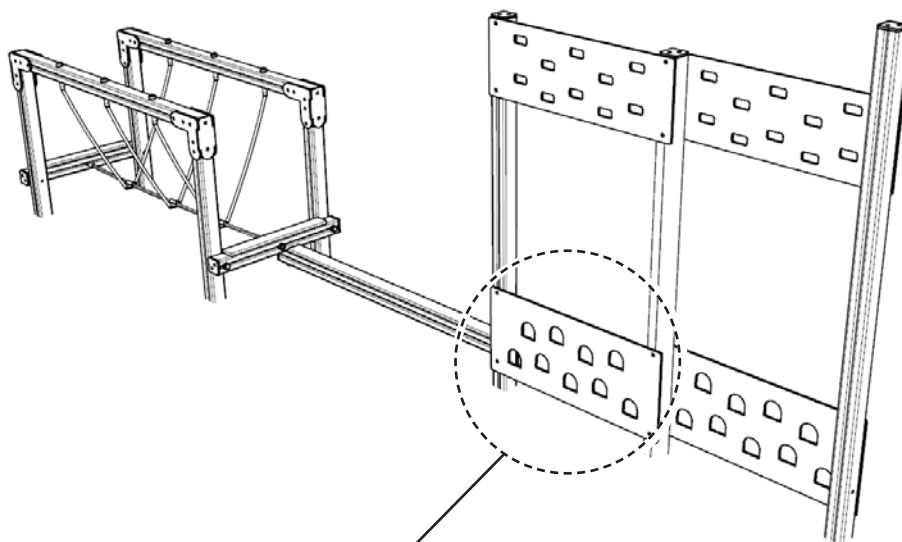
220 BOLT

INSTALLATION INSTRUCTIONS

7 ATTACH H3 HEXBOARD SLAT USING 8X80MM WOOD SCREWS TO COVER COUNTERSUNK BOLT

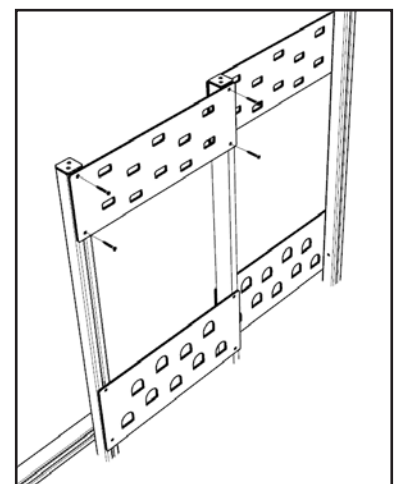


8 ATTACH REMAINING 3 PLAYTEC CLIMBING PANELS USING 8X80MM WOOD SCREWS



NOTES:
ENSURE SECOND SET OF PANELS
ARE ON OPPOSITE FACE TO FIRST

NOTES:
THIS PANEL IS ALREADY ATTACHED AS
PER STEP 6

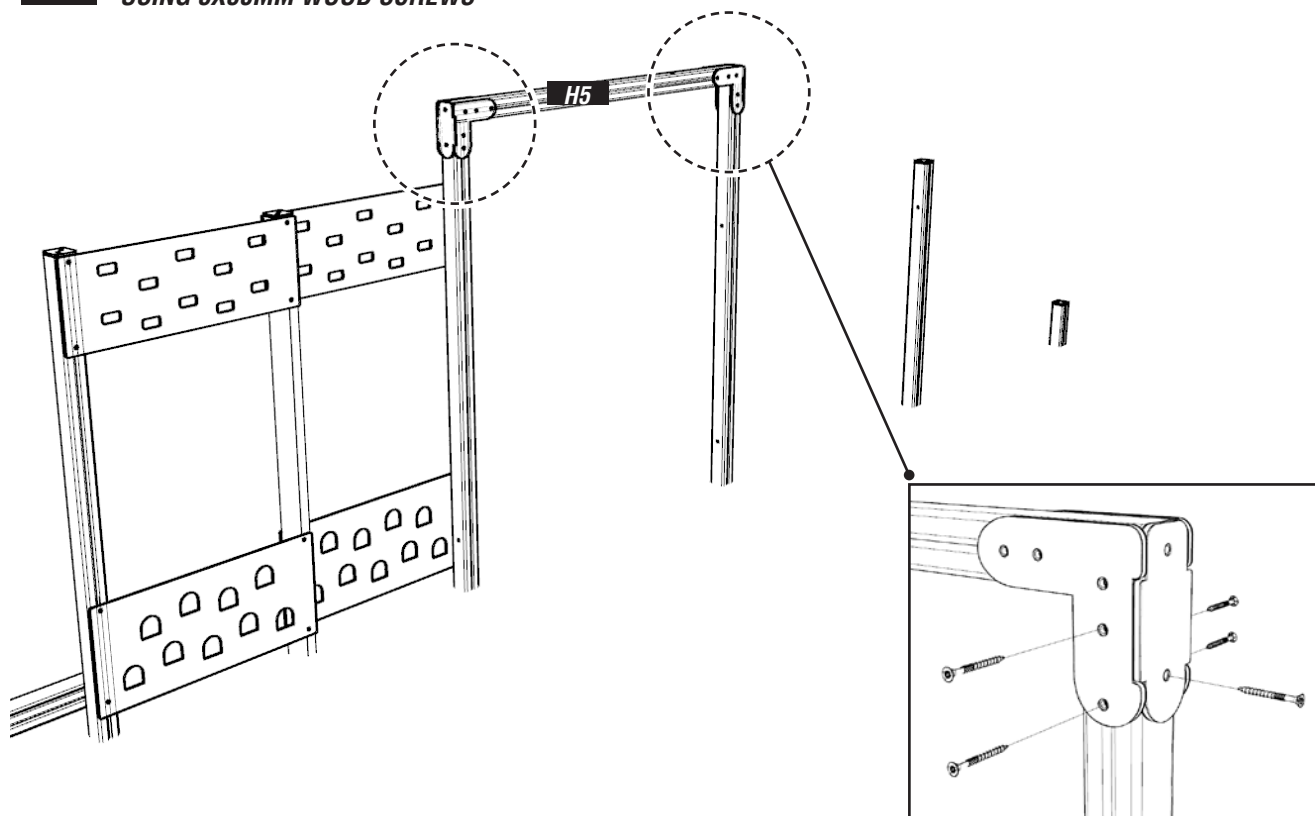


INSTALLATION INSTRUCTIONS

9

ATTACH TIMBER H5 USING PLAYTEC L'S

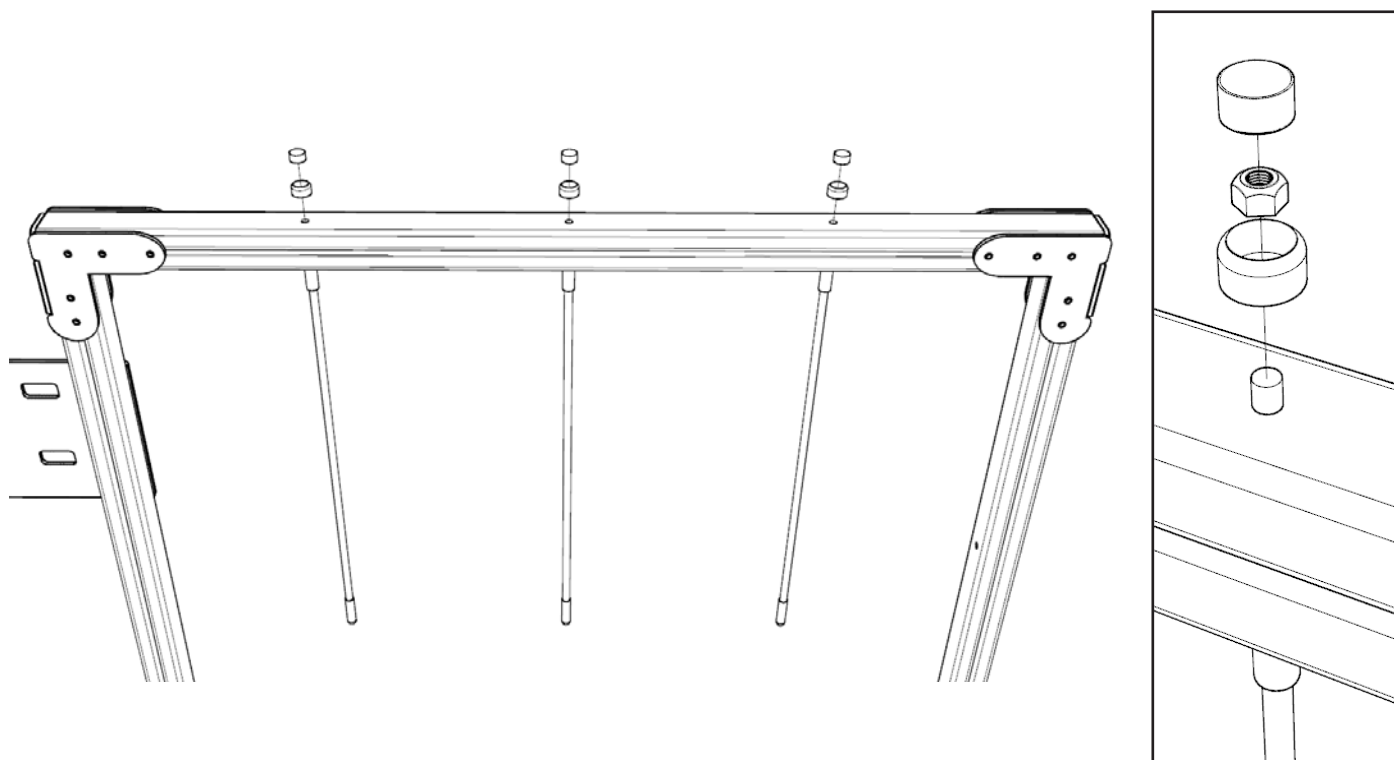
USING 8X80MM WOOD SCREWS



10

ATTACH SWINGING ROPES TO TIMBER H5

USING 656.M12 / 102003-01

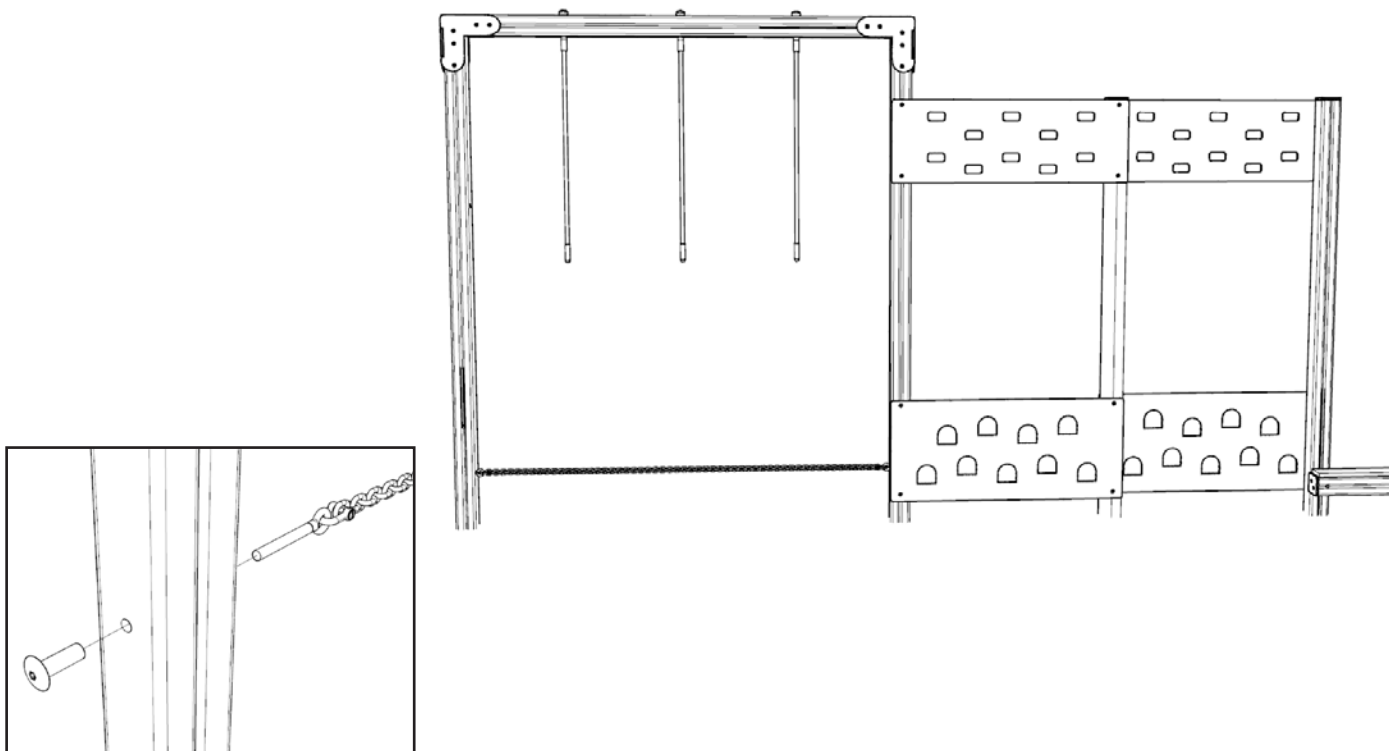


INSTALLATION INSTRUCTIONS

11

ATTACH SWINGING ROPE CHAIN

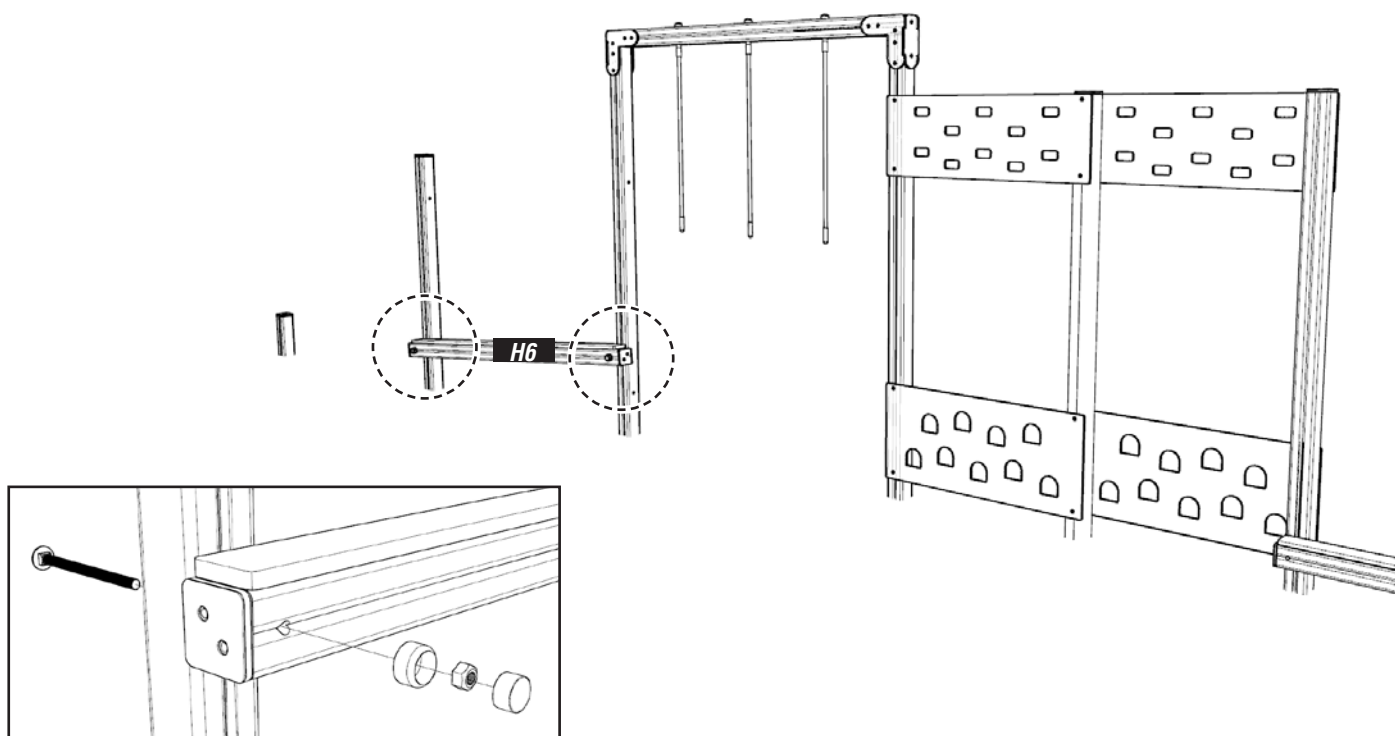
USING M12 X 50MM SOCKET NUT, D - SHACKLE AND EYEBOLT SHOULD BE PRE-ATTACHED TO CHAIN



12

ATTACH TIMBER H6

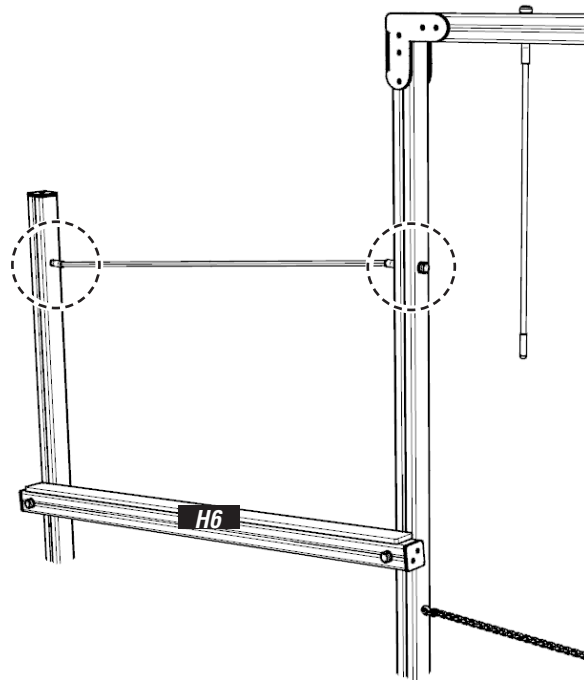
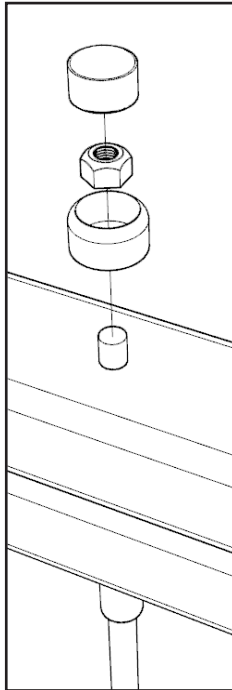
USING 274.M12X200 / 656.M12 / 102003-01



INSTALLATION INSTRUCTIONS

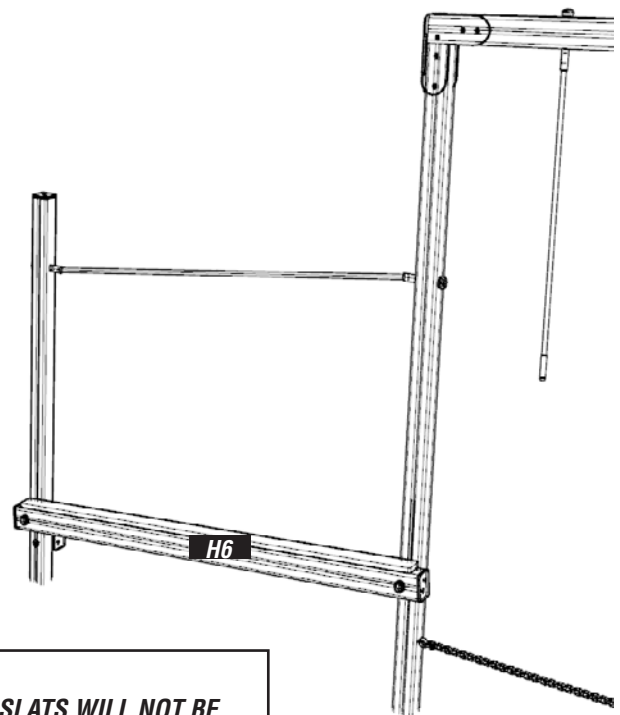
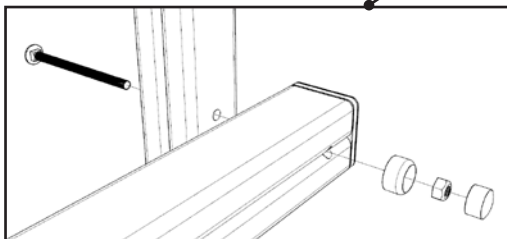
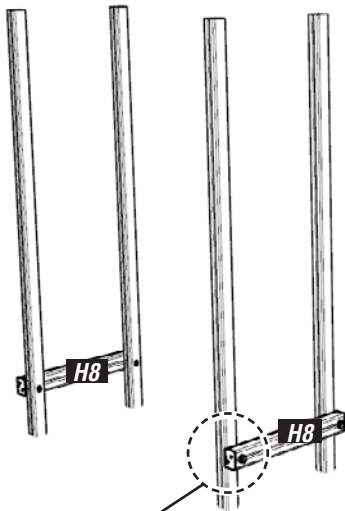
13

ATTACH TRAVERSE ROPE ABOVE TIMBER H6
USING 656.M12 / 102003-01



14

ATTACH H8 TIMBERS
USING 274.M12X200 / 656.M12 / 102003-01



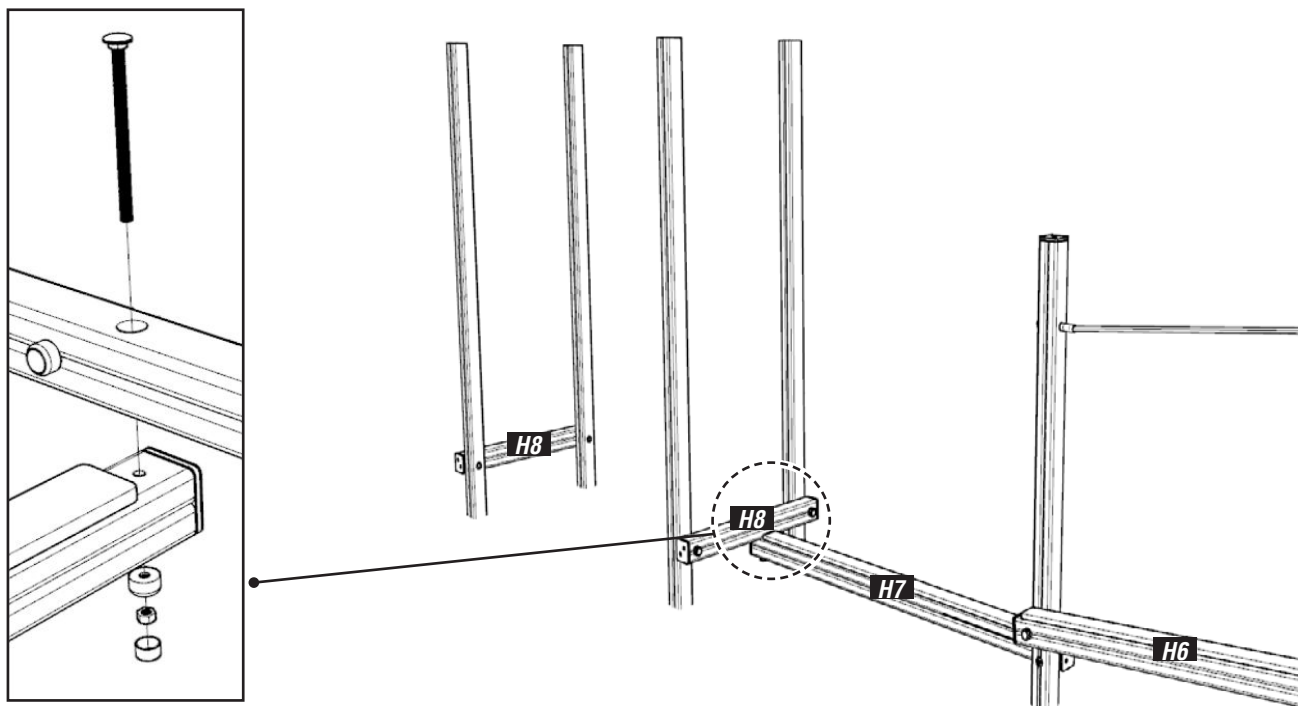
NOTES:
H8 HEXBOARD SLATS WILL NOT BE
ATTACHED UNTIL STEP 21

INSTALLATION INSTRUCTIONS

15

ATTACH TIMBER H7

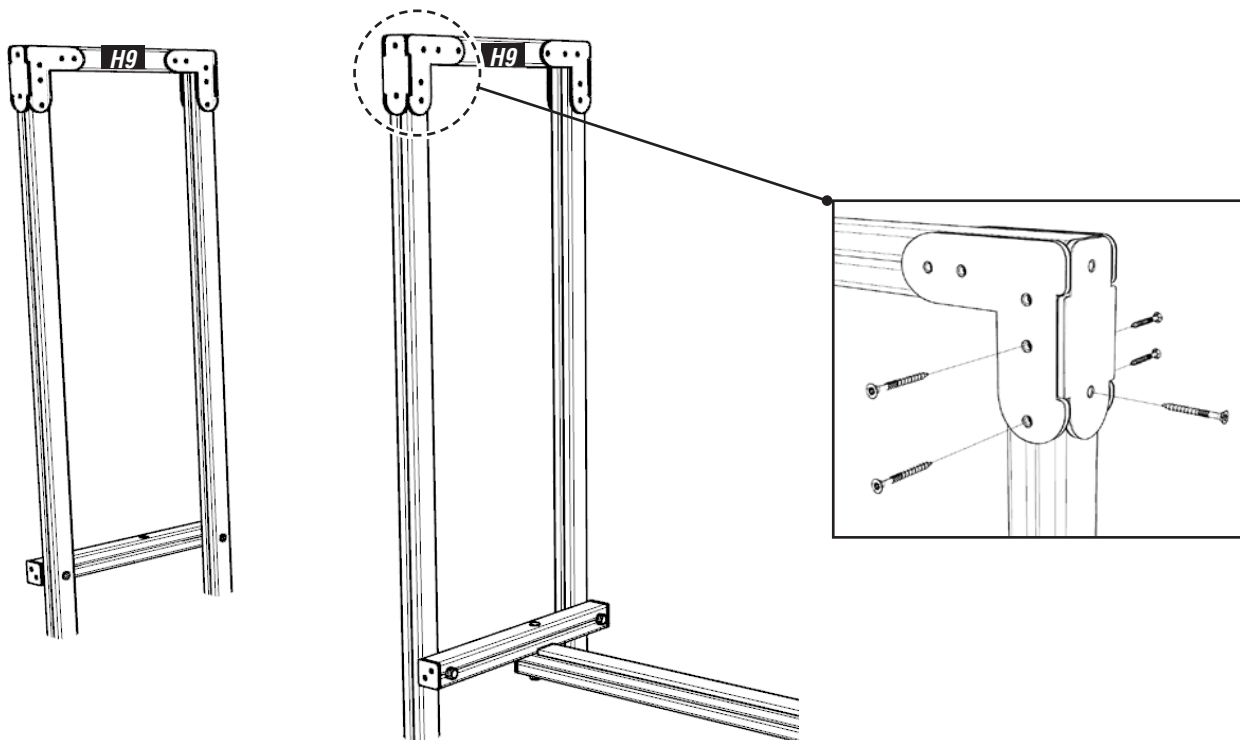
USING 274.M12X180 & 200 / 656.M12 / 102003-01



16

ATTACH H9 TIMBERS USING PLAYTEC L'S

USING 8X80MM WOOD SCREWS

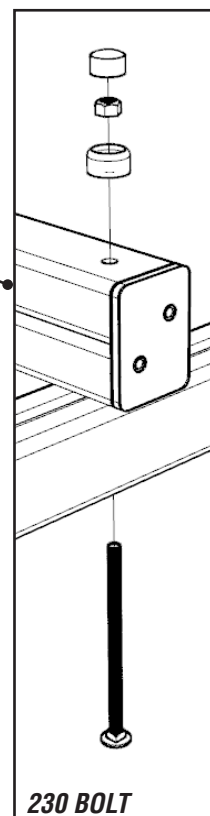
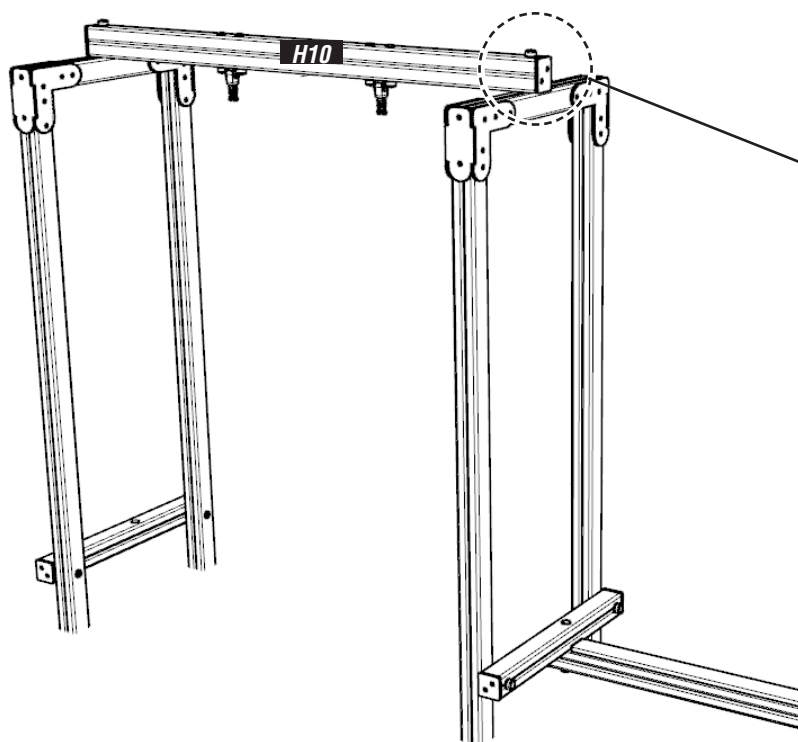


INSTALLATION INSTRUCTIONS

17

ATTACH TIMBER H10

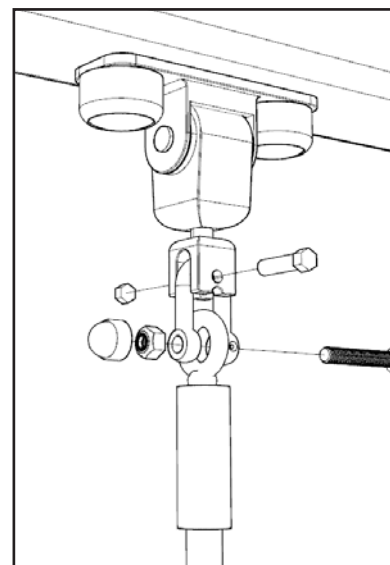
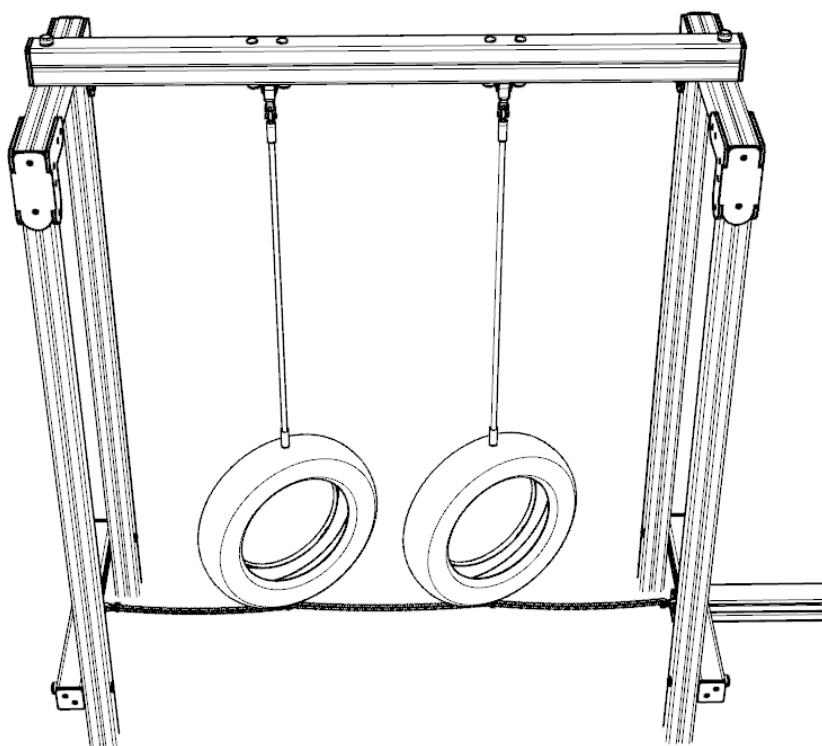
USING 274.M12X230 / 656.M12 / 102003-01



18

ATTACH TYRES

USING D - SHACKLE SETS AS SHOWN

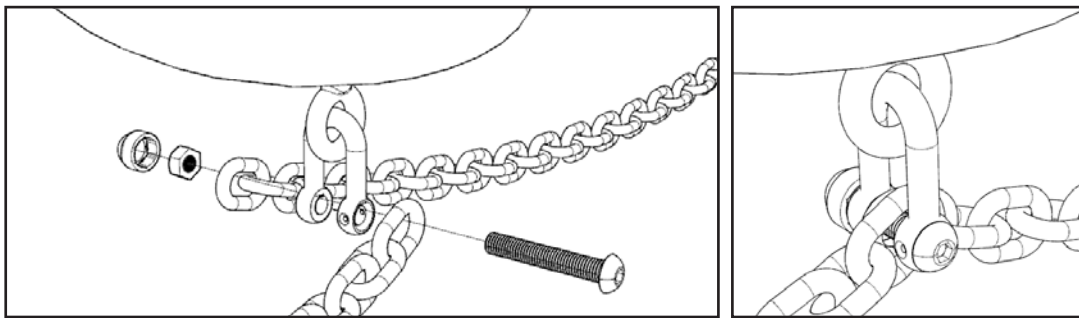
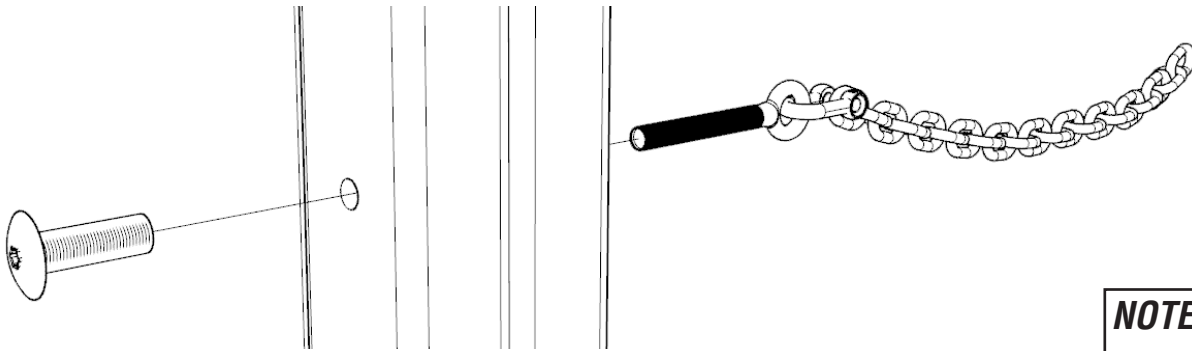


INSTALLATION INSTRUCTIONS

19

ATTACH TYRE CHAINS

USING M12 X 50MM SOCKET NUT ON EYEBOLT CHAINS & D- SHACKLE SETS ON MIDDLE CHAINS



NOTES:

REPEAT EYEBOLT CHAIN ON BOTH SIDES

ATTACH MIDDLE CHAINS TO TYRES AS SHOWN

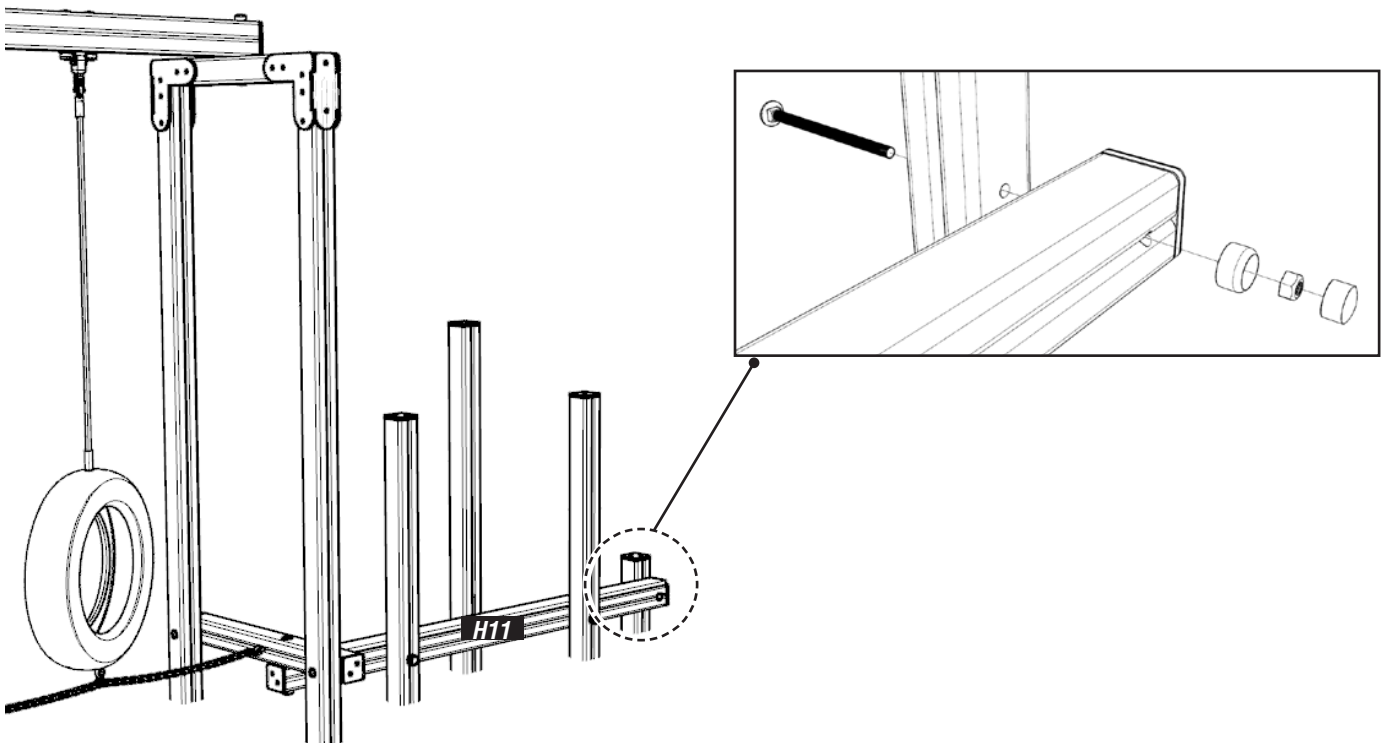
ENSURE CHAIN IS POSITION ON INSIDE OF D - RING

REMOVE LINKS IF NECESSARY

20

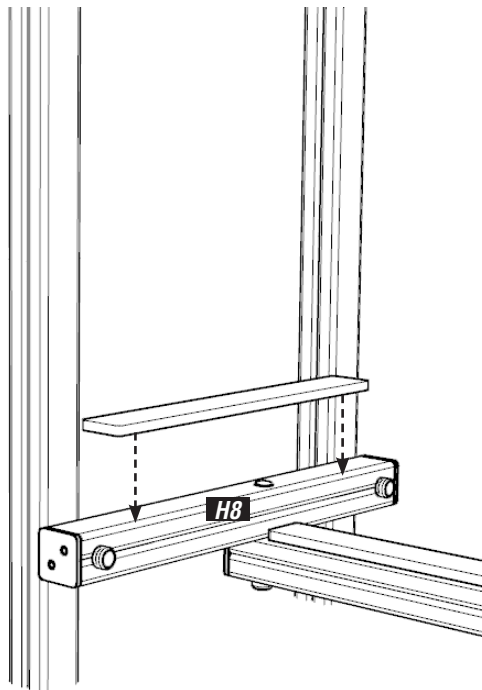
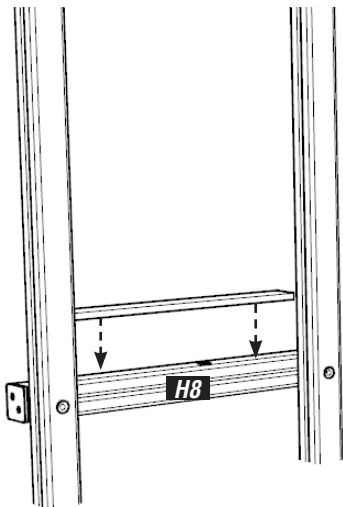
ATTACH TIMBER H11 TO WEAVING POST UPRIGHTS

USING 274.M12X180 & 200 / 656.M12 / 102003-01

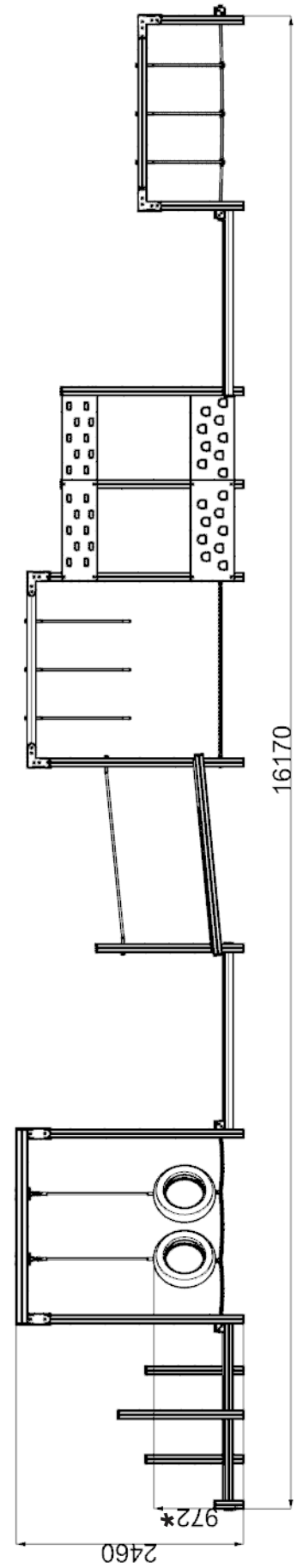
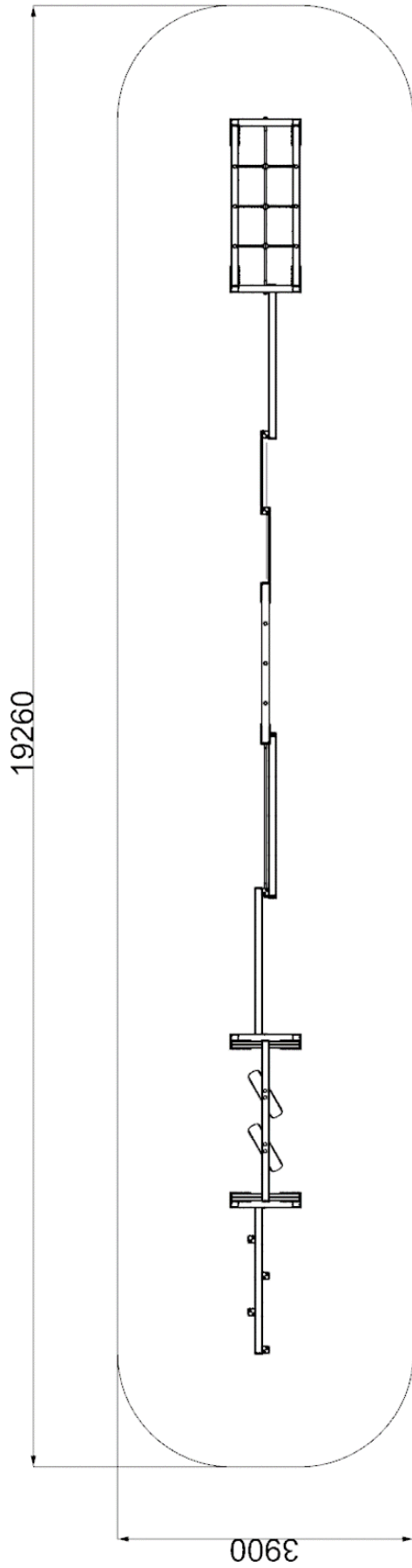


INSTALLATION INSTRUCTIONS

21 ATTACH H8 HEXBOARD SLATS USING 8X80MM WOOD SCREWS



ADDITIONAL DIMENSIONS



*** MAX FALL HEIGHT**