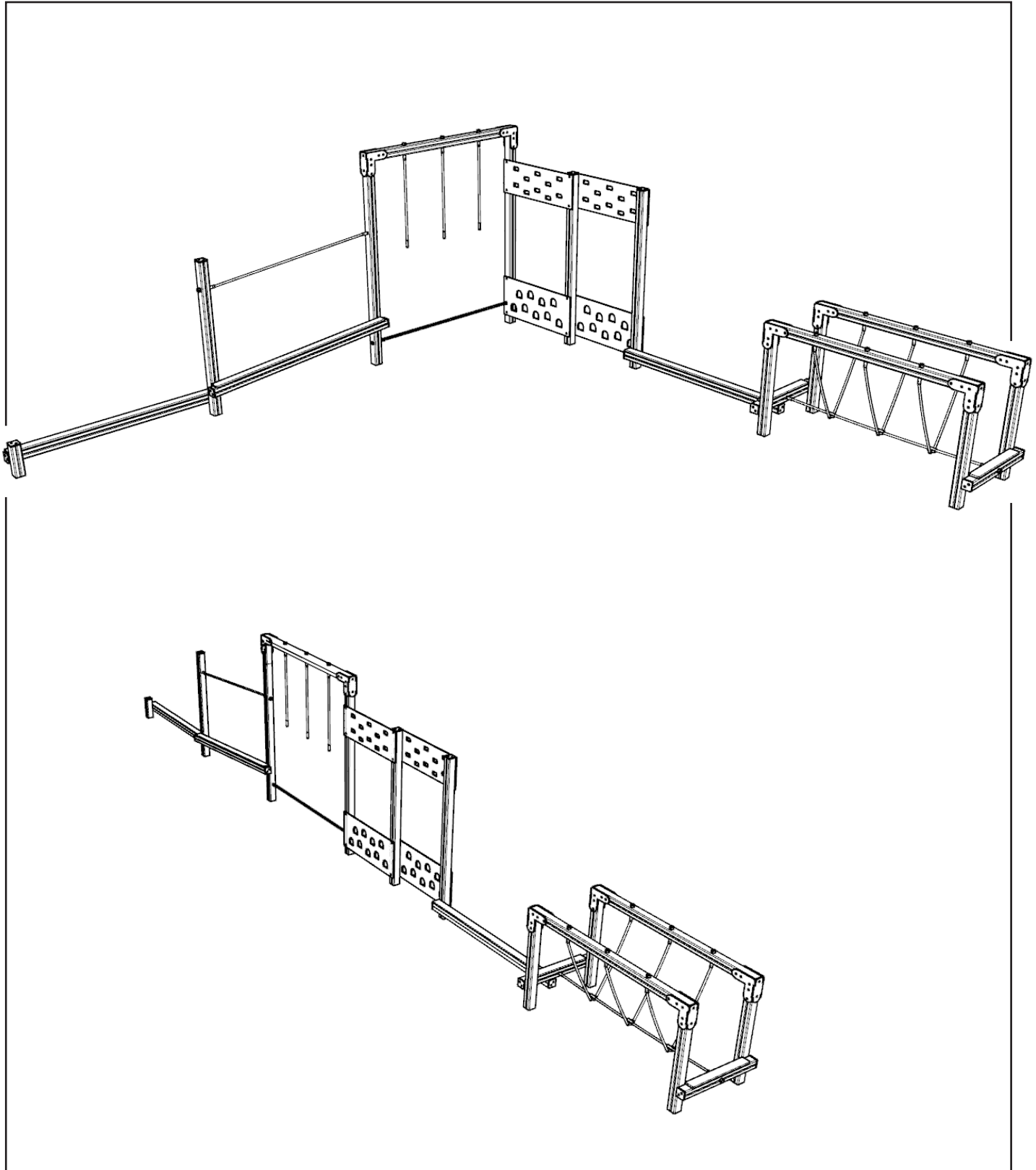


AT6-L - ADVENTURE TRAIL 6

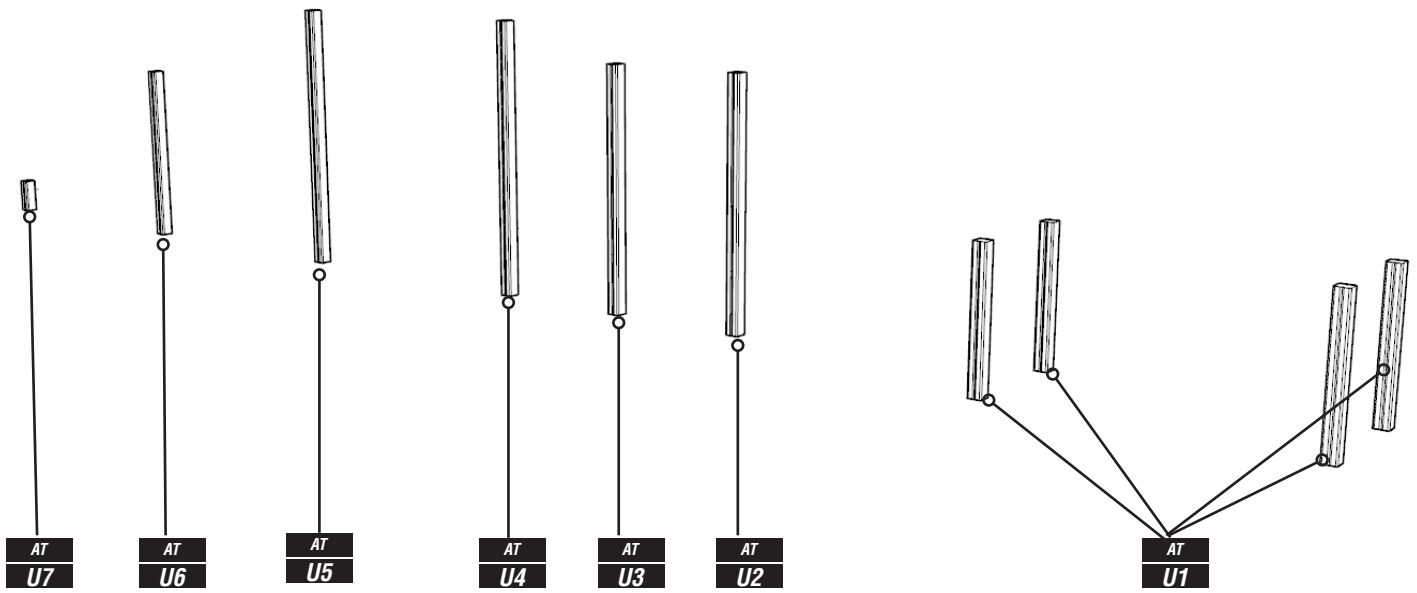
Installation Instructions

**creative
play**



**INSTRUCTIONS SHOWN ARE FOR THE STANDARD AT6 - BUT THE
GROUNDPLAN HAS BEEN REVISED TO CREATE THE L-SHAPE LAYOUT**

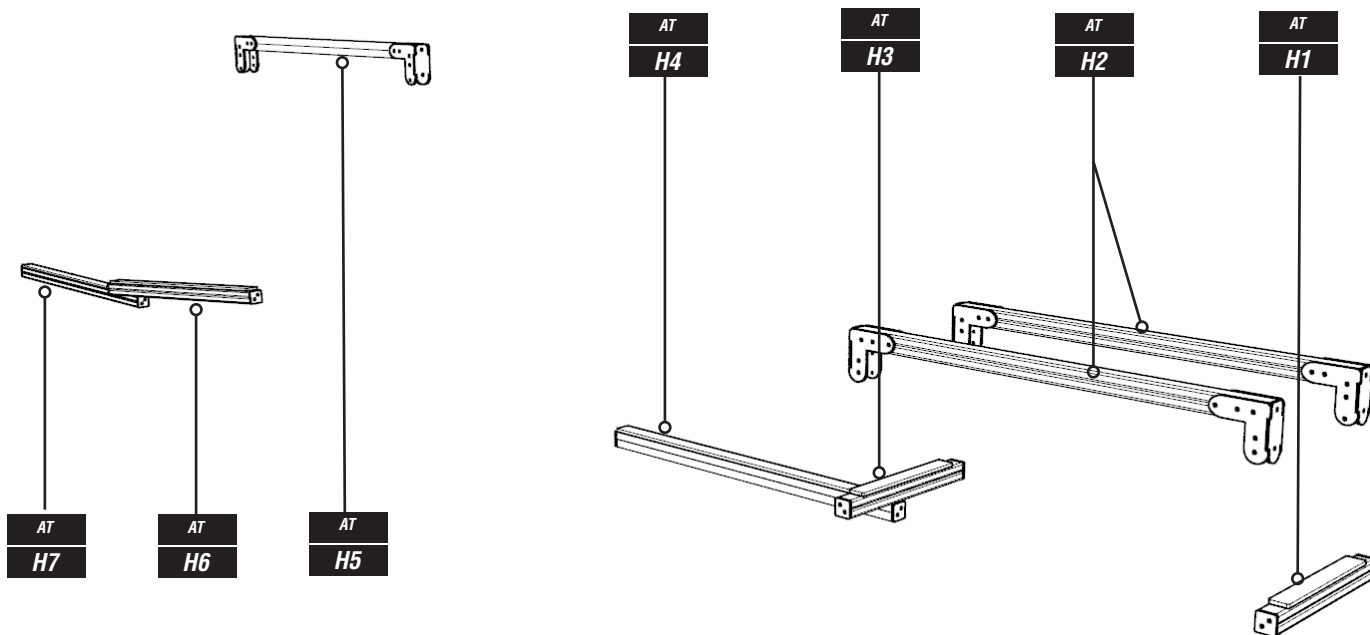
PARTS REQUIRED



UPRIGHT TIMBERS

*PLEASE NOTE ALL H TIMBERS ARE PRE-ASSEMBLED WITH PLAYTEC L's AND/OR HEXBOARD (AS SHOWN ABOVE)

CODE	QTY	SIZE	END	ADDITIONAL INFORMATION
AT - U1	4	1800	-	UPRIGHT TIMBERS
AT - U2	1	2715	END CAP	UPRIGHT TIMBERS
AT - U3	1	2715	END CAP	UPRIGHT TIMBERS
AT - U4	1	3000	-	UPRIGHT TIMBERS
AT - U5	1	3000		UPRIGHT TIMBERS
AT - U6	1	2335	END CAP	UPRIGHT TIMBERS
AT - U7	1	1055	END CAP	UPRIGHT TIMBERS

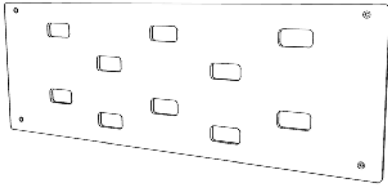


HORIZONTAL TIMBERS

*PLEASE NOTE ALL H TIMBERS ARE PRE-ASSEMBLED WITH PLAYTEC L'S AND/OR HEXBOARD (AS SHOWN ABOVE)

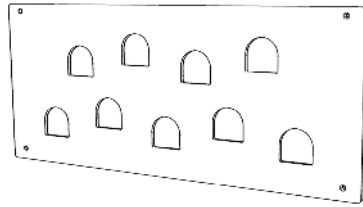
CODE	SIZE	QTY	START	END	ADDITIONAL INFORMATION
AT - H1	900	1	END CAP	END CAP	HORIZONTAL TIMBER (HEXA GRIP SLAT)
AT - H2	2100	2	PLAYTEC L'S	PLAYTEC L'S	HORIZONTAL TIMBER
AT - H3	900	1	END CAP	END CAP	HORIZONTAL TIMBER (HEXA GRIP SLAT)
AT - H4	2010	1	END CAP	END CAP	HORIZONTAL TIMBER (HEXA GRIP SLAT)
AT - H5	2100	1	PLAYTEC L'S	PLAYTEC L'S	HORIZONTAL TIMBER
AT - H6	2160	1	END CAP	END CAP	HORIZONTAL TIMBER (HEXA GRIP SLAT)
AT - H7	2100	1	END CAP	END CAP	HORIZONTAL TIMBER (HEXA GRIP SLAT)

PARTS REQUIRED



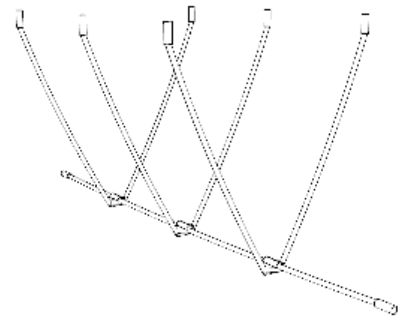
x2

CLIMBING PANELS (UPPER)



x2

CLIMBING PANELS (LOWER)



x1

ROPE BRIDGE



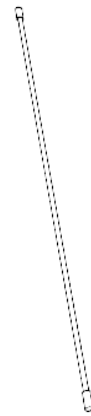
x3

SWINGING ROPES



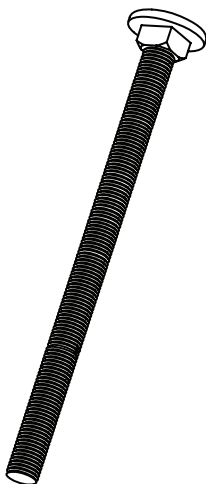
x1

SWINGING ROPE CHAIN



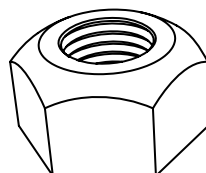
x1

TRAVERSE ROPE



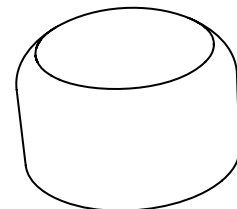
x8

274.M12X200



x23

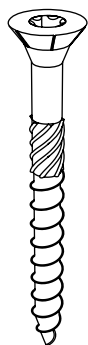
656.M12



x23

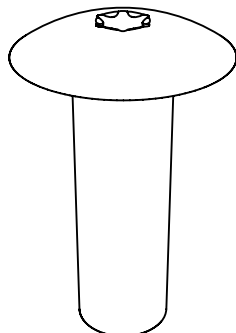
102003-01 - M12

PARTS REQUIRED



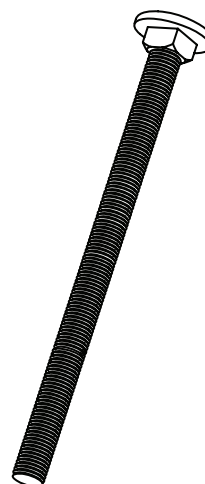
x47

97.M8X80CSK



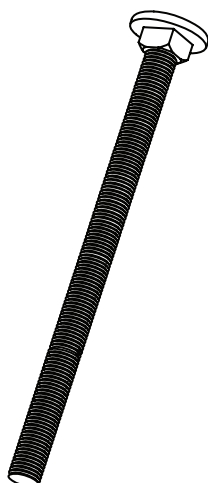
x2

M12 SOCKET NUT (50MM)



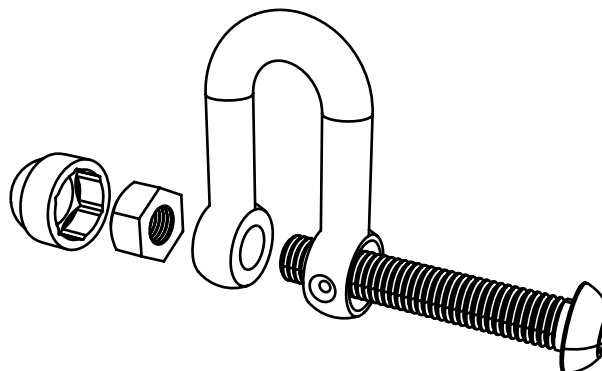
x1

274.M12X220



x1

274.M12X180

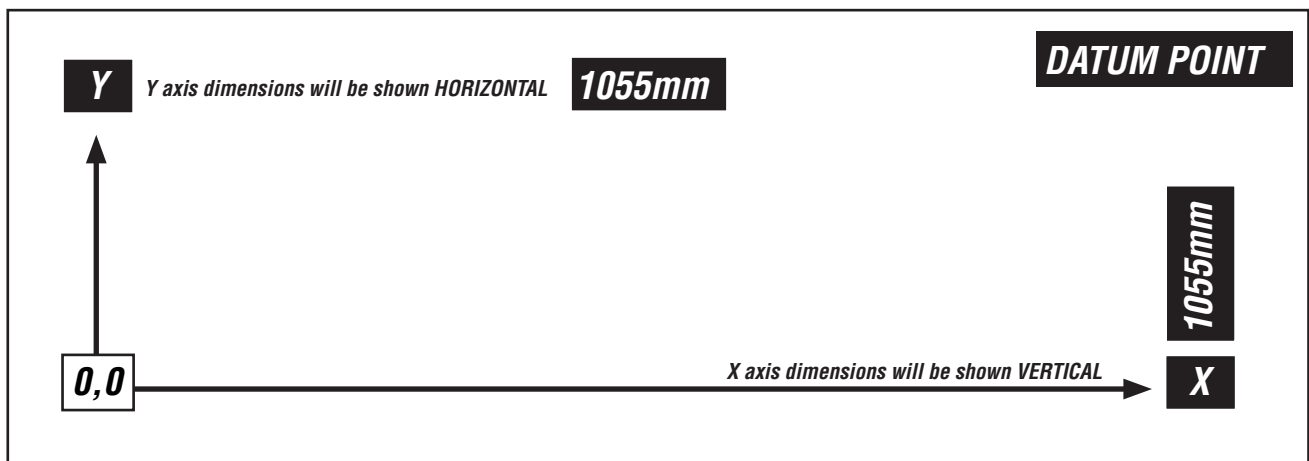
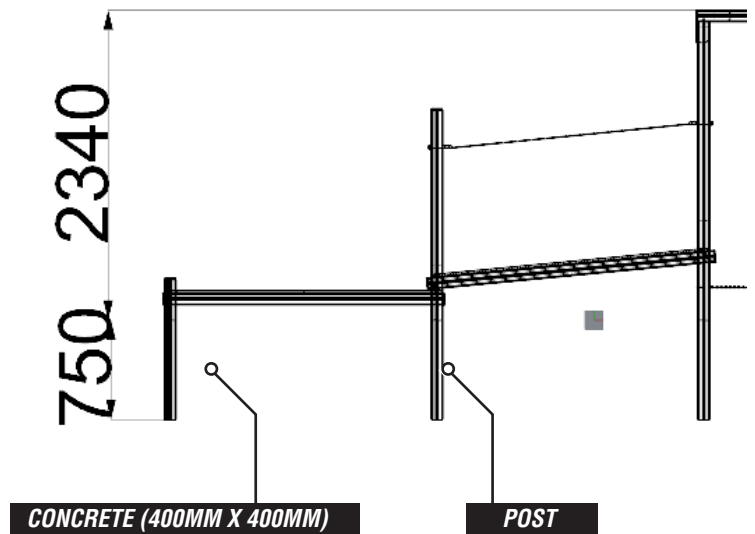
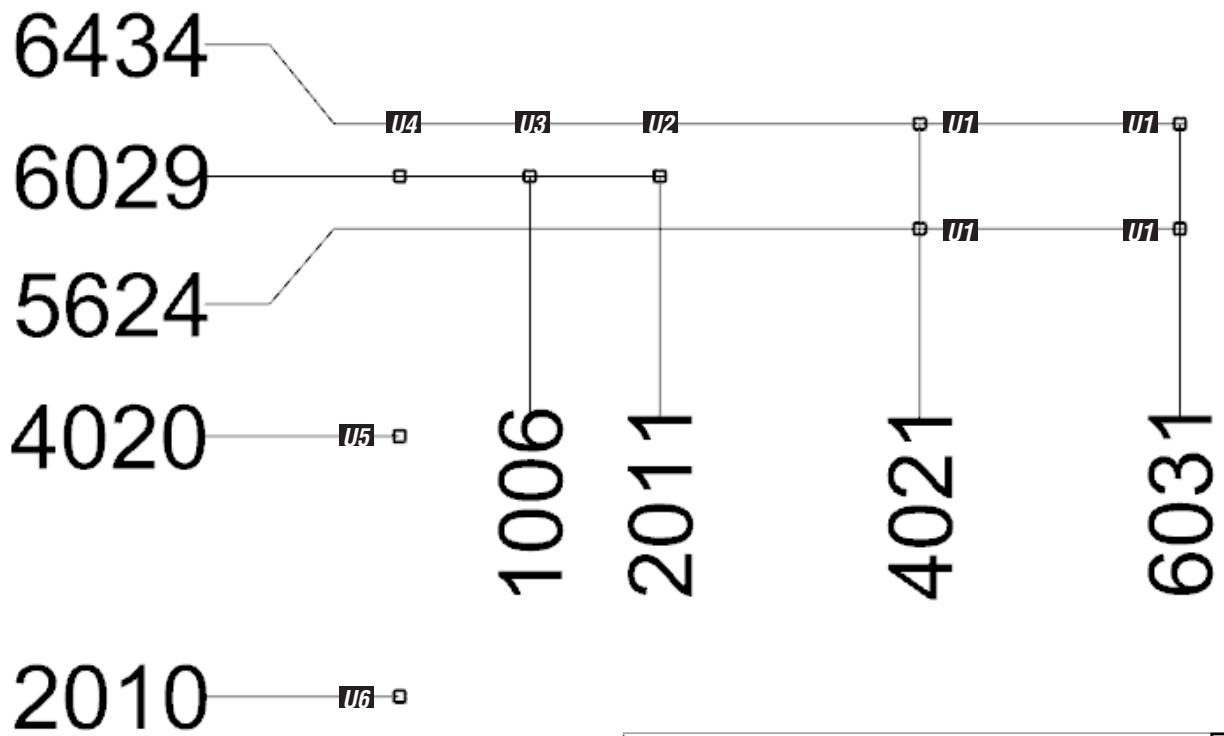


**CONSISTS OF
SHACKLE / BOLT / NYLOC / CAP**

x2

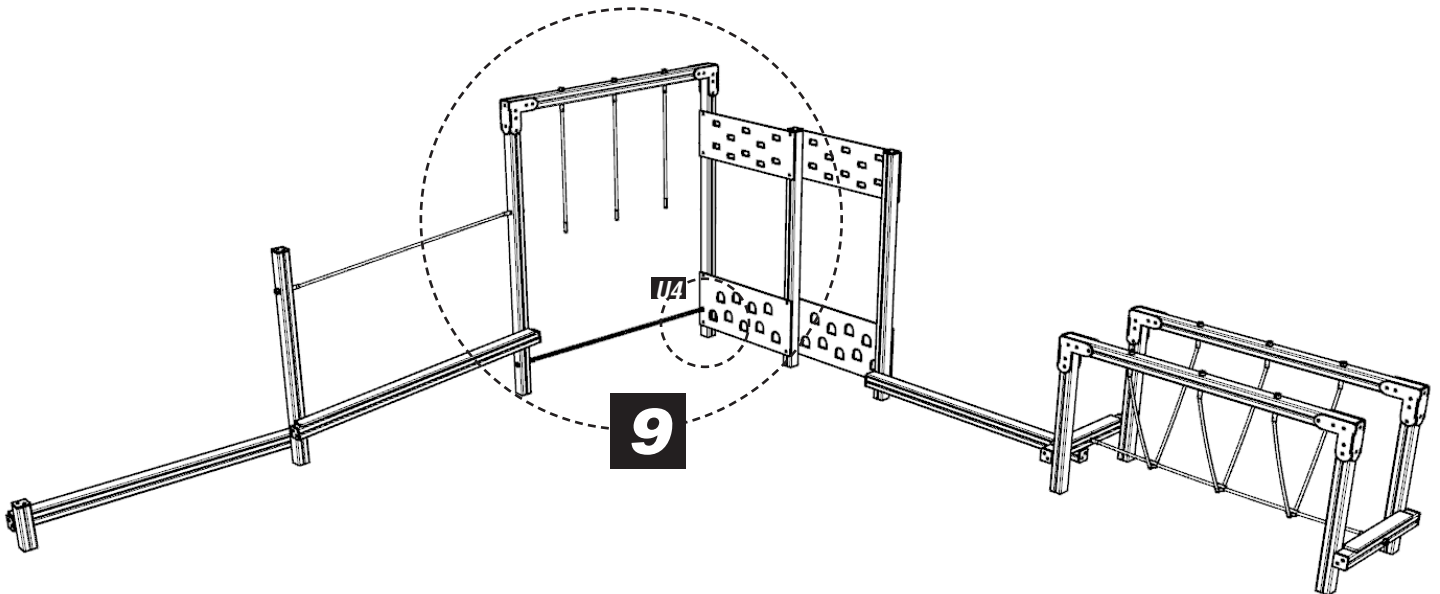
349.742.D-SHACKLE 'SET'

FOUNDATION DETAILS



INSTALLATION INSTRUCTIONS

INSTRUCTIONS SHOWN ARE FOR THE STANDARD AT6 - BUT THE GROUNDPLAN HAS BEEN REVISED TO CREATE THE L-SHAPE LAYOUT



A) THE ORDER OF THE INSTALLATION INSTRUCTION HIGHLIGHT WHERE THE MAIN CHANGE OF 'SHAPE'

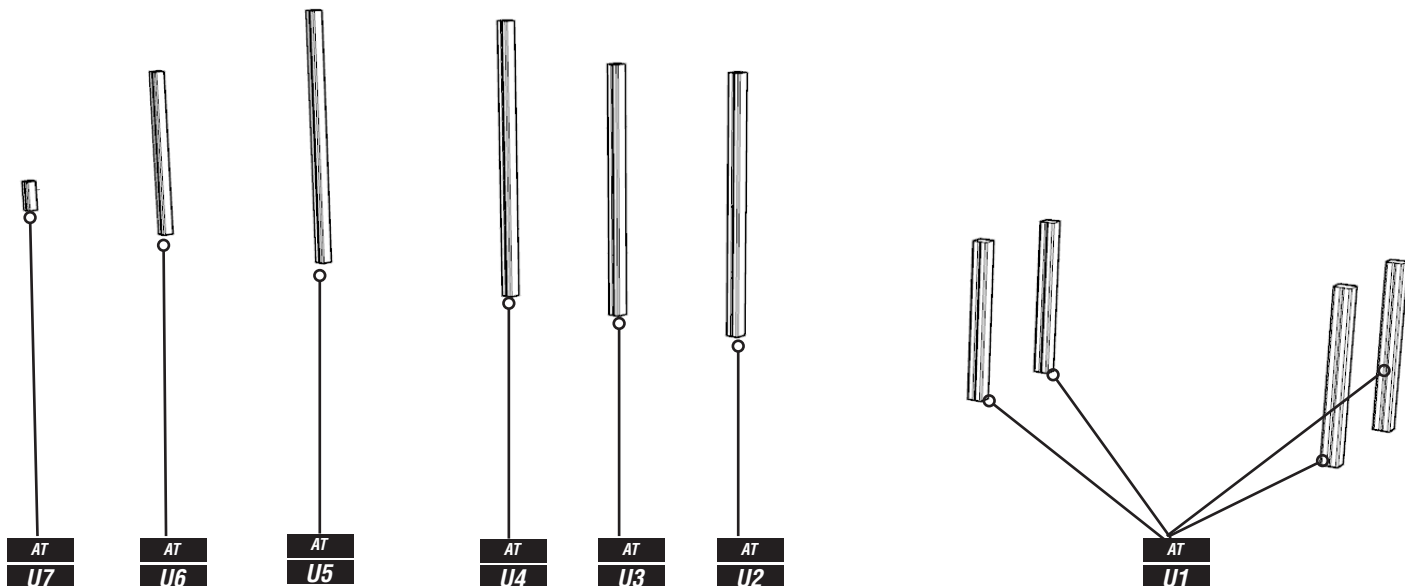
C) U4 TIMBER IS DRILLED FOR THE ROPE WALK CHAIN (ENSURE THIS IS POSITIONED AS SHOWN ABOVE)

9 **STEP (9) - THE TIMBER / REMAINING ITEMS TO BE POSITIONED AS SHOWN ABOVE TO CREATE THE L-SHAPE**

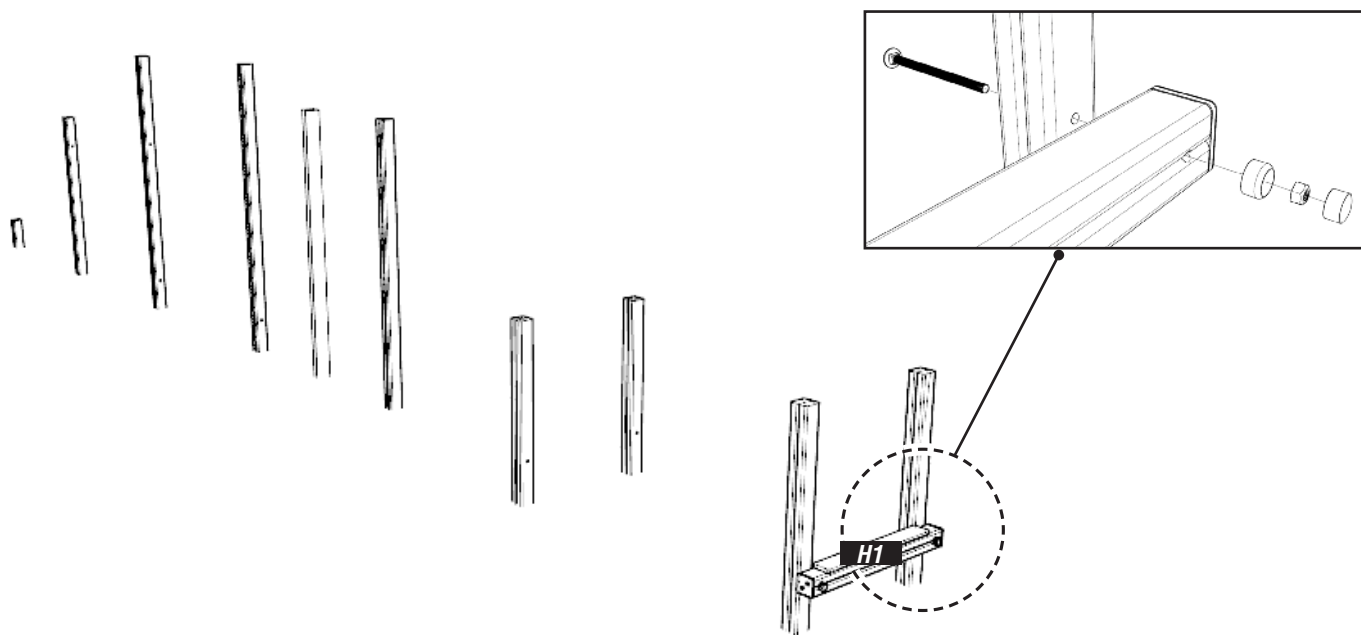
11 **STEP (11) - HOLE WILL NEED TO BE DRILLED THROUGH THE PLAY-TEC PANEL TO ATTACHED THE CHAIN FOR THE ROPE WALK**

INSTALLATION INSTRUCTIONS

1 POSITION THE UPRIGHT TIMBERS FOLLOWING FOUNDATION DETAILS

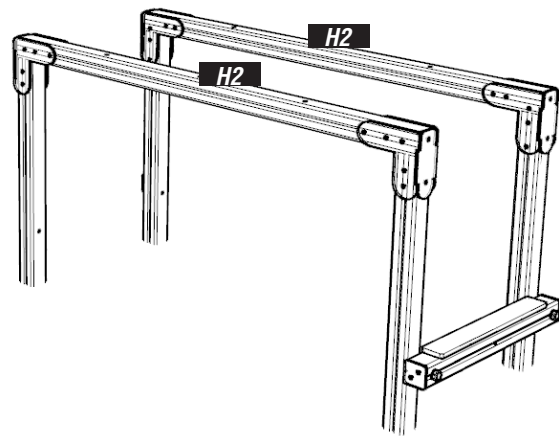
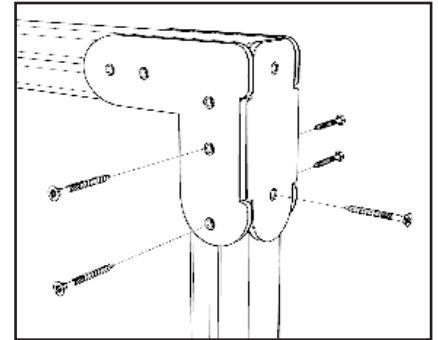
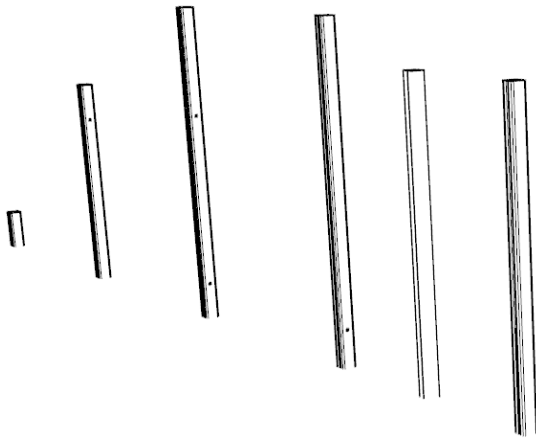


2 ATTACH TIMBER H1 USING 274.M12X200 / 656.M12 / 102003-01, SECURE HEXBOARD WITH M8X80MM WOOD SCREWS

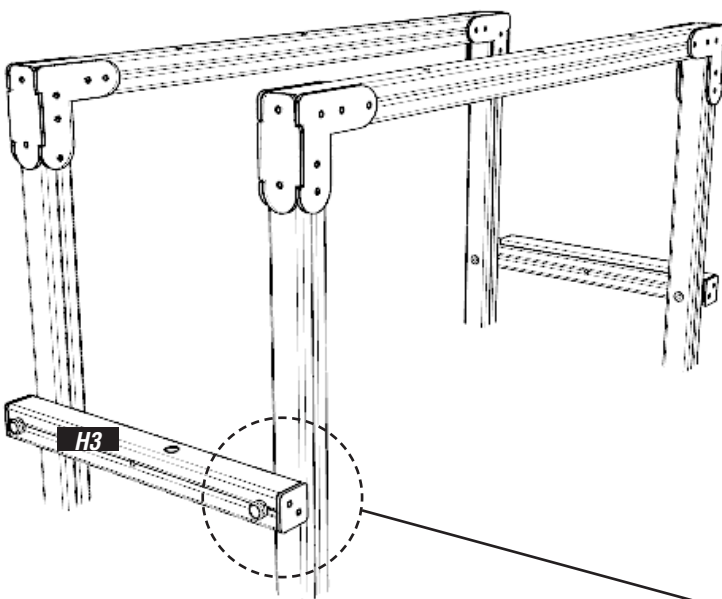


INSTALLATION INSTRUCTIONS

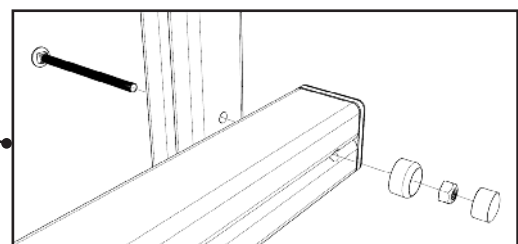
3 ATTACH H2 TIMBERS USING PLAYTEC L'S
USING M8X80MM WOOD SCREWS, TAKE CARE THAT SCREWS DO NOT 'CROSS'



4 ATTACH TIMBER H3
USING 274.M12X200 / 656.M12 / 102003-01



NOTES:
H3 HEXBOARD SLAT WILL NOT BE ATTACHED UNTIL STEP 7

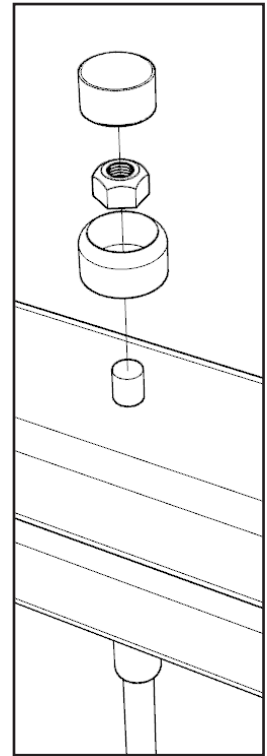
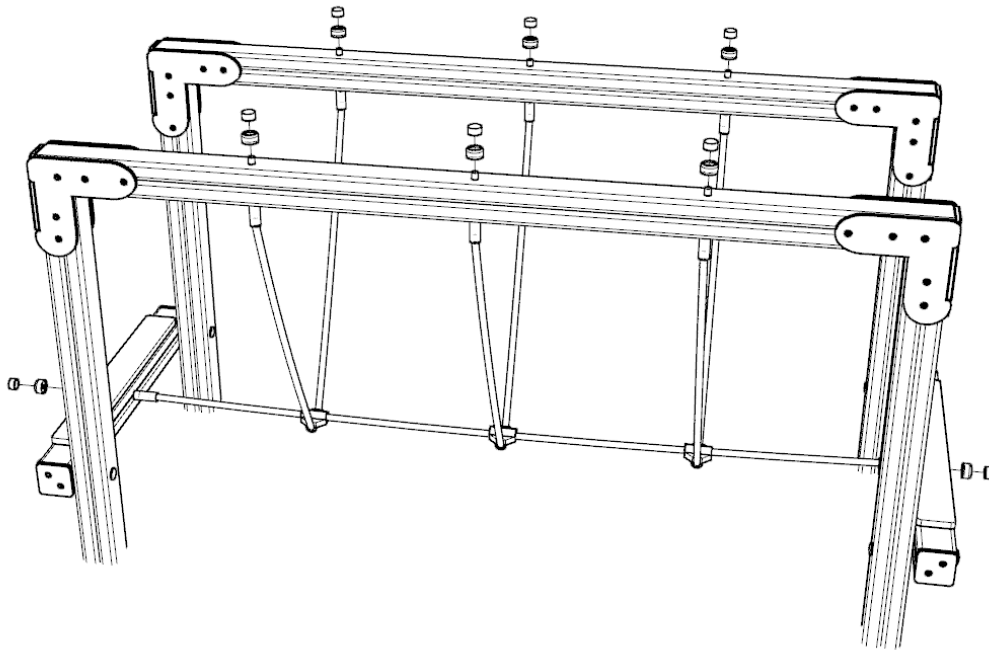


INSTALLATION INSTRUCTIONS

5

ATTACH ROPE BRIDGE

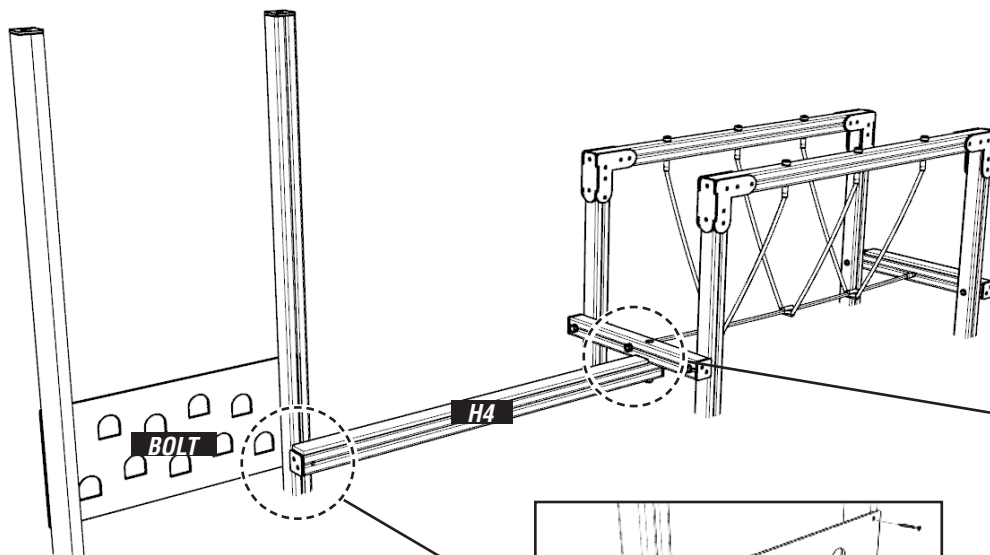
USING 656.M12 / 102003-01



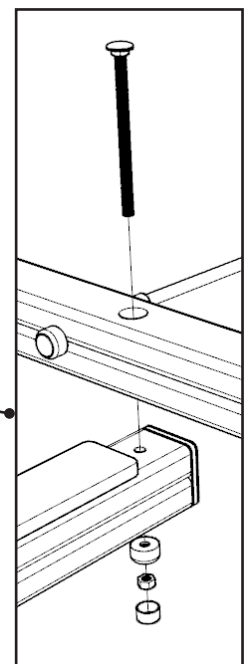
6

ATTACH TIMBER H4 AND LOWER PLAYTEC CLIMBING PANEL SHOWN

USING 274.M12X180 & 220 / 656.M12 / 102003-01 AND M8X80MM WOOD SCREWS

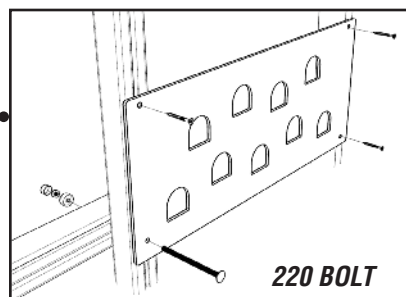


180 BOLT



NOTES:

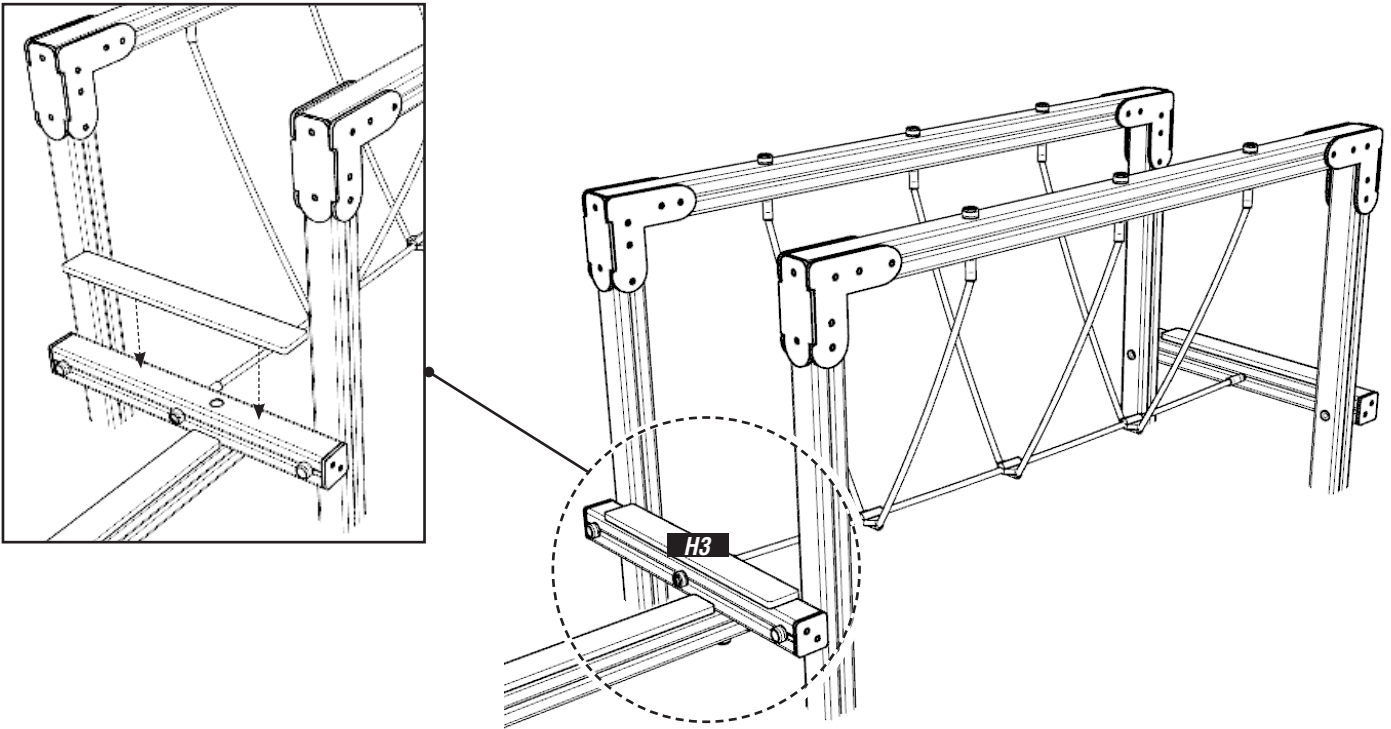
ATTACH PANEL ON OPPOSITE FACE TO BEAM
ONE LOWER PLAYTEC PANEL HAS HOLE DRILLED FOR BOLT (SEE CNC)



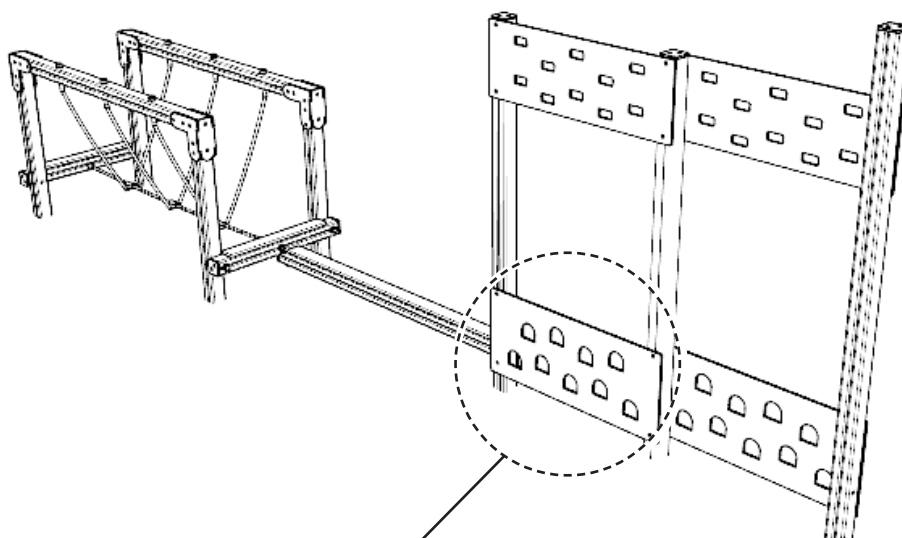
220 BOLT

INSTALLATION INSTRUCTIONS

7 ATTACH H3 HEXBOARD SLAT USING 8X80MM WOOD SCREWS TO COVER COUNTERSUNK BOLT

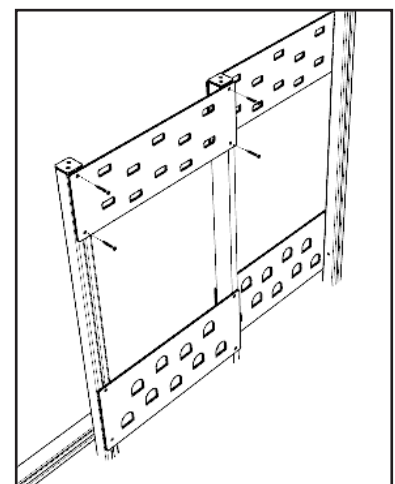


8 ATTACH REMAINING 3 PLAYTEC CLIMBING PANELS USING 8X80MM WOOD SCREWS



NOTES:
ENSURE SECOND SET OF PANELS
ARE ON OPPOSITE FACE TO FIRST

NOTES:
THIS PANEL IS ALREADY ATTACHED AS
PER STEP 6

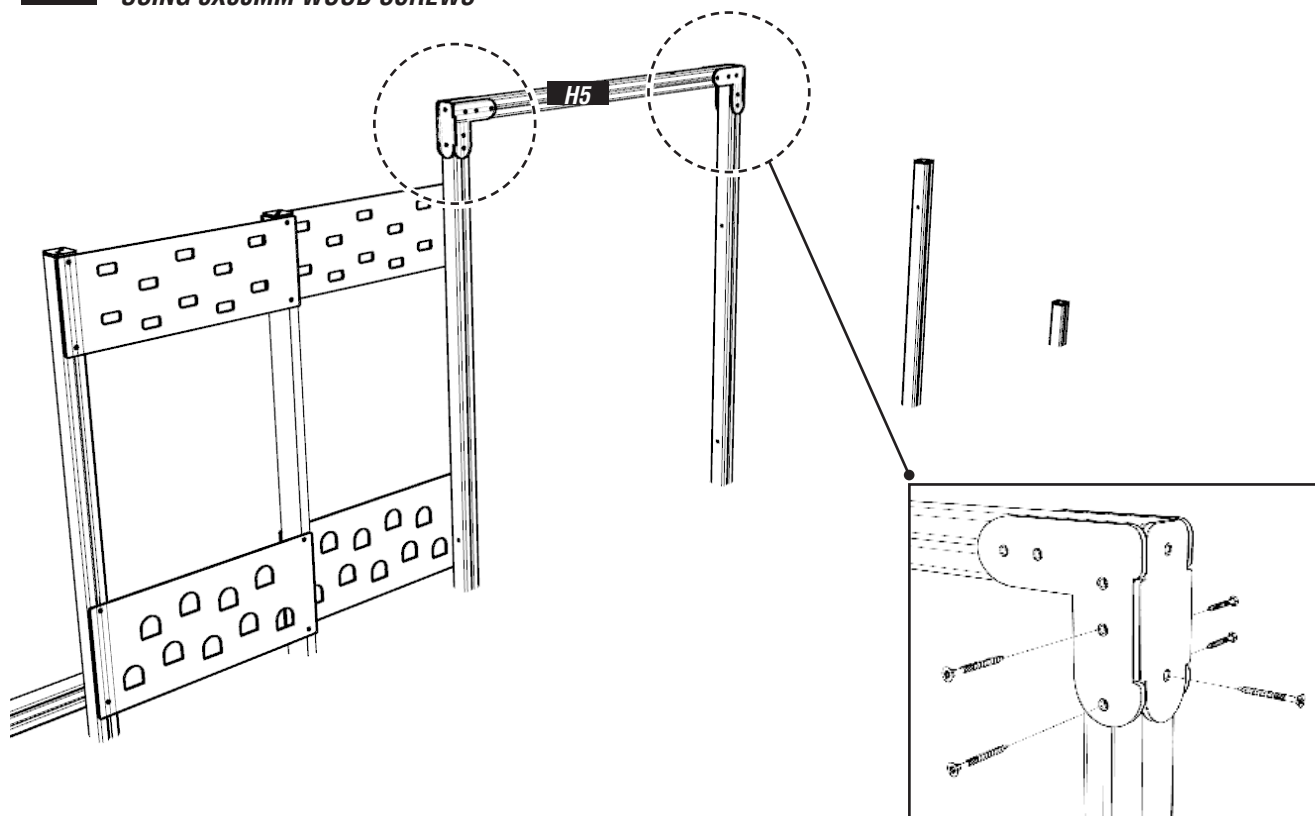


INSTALLATION INSTRUCTIONS

9

ATTACH TIMBER H5 USING PLAYTEC L'S

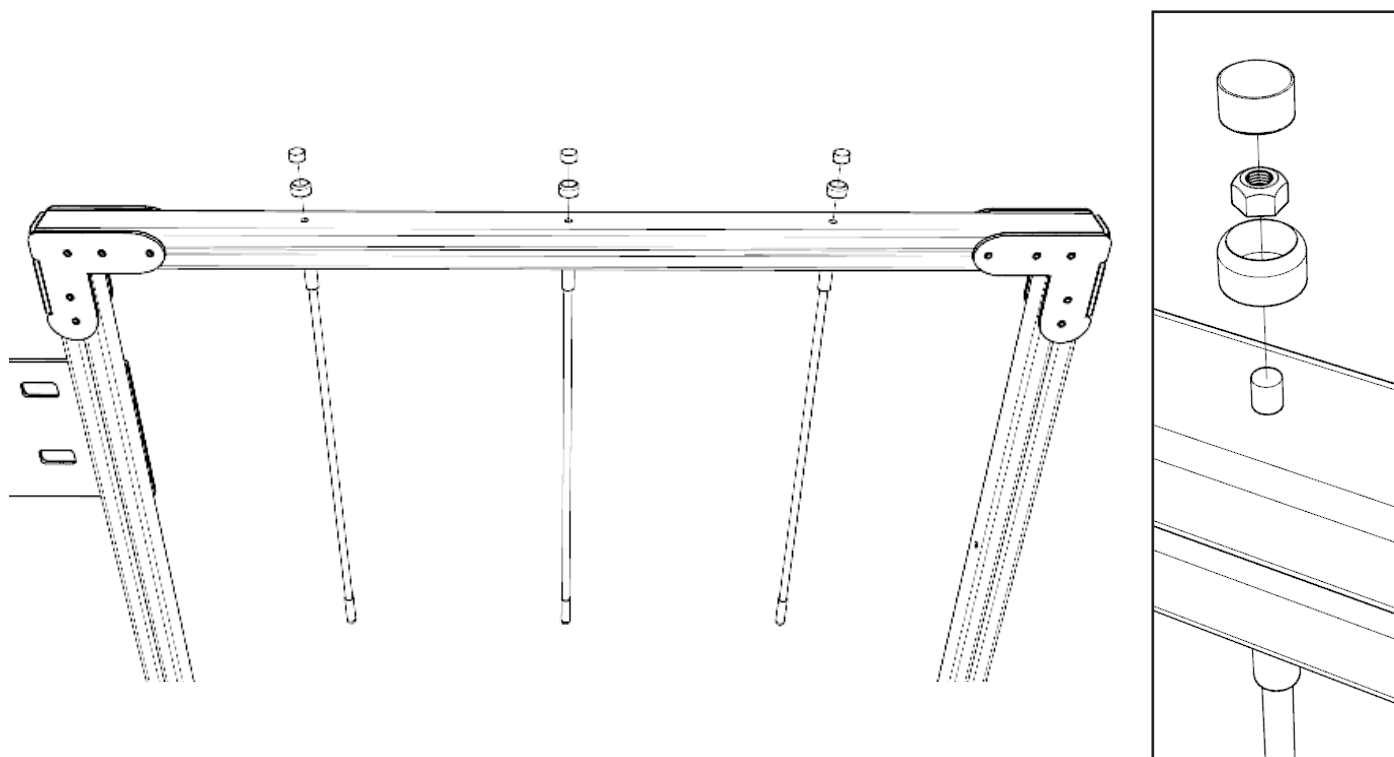
USING 8X80MM WOOD SCREWS



10

ATTACH SWINGING ROPES TO TIMBER H5

USING 656.M12 / 102003-01

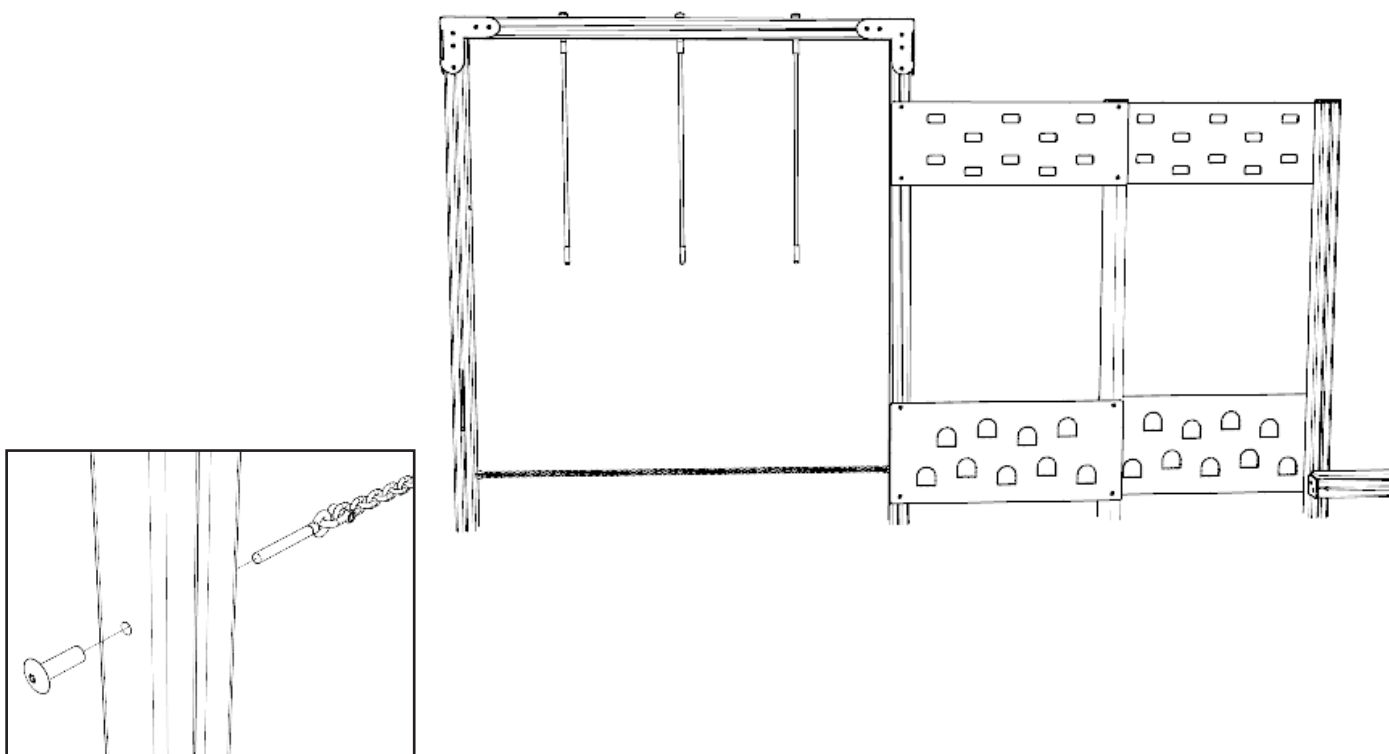


INSTALLATION INSTRUCTIONS

11

ATTACH SWINGING ROPE CHAIN

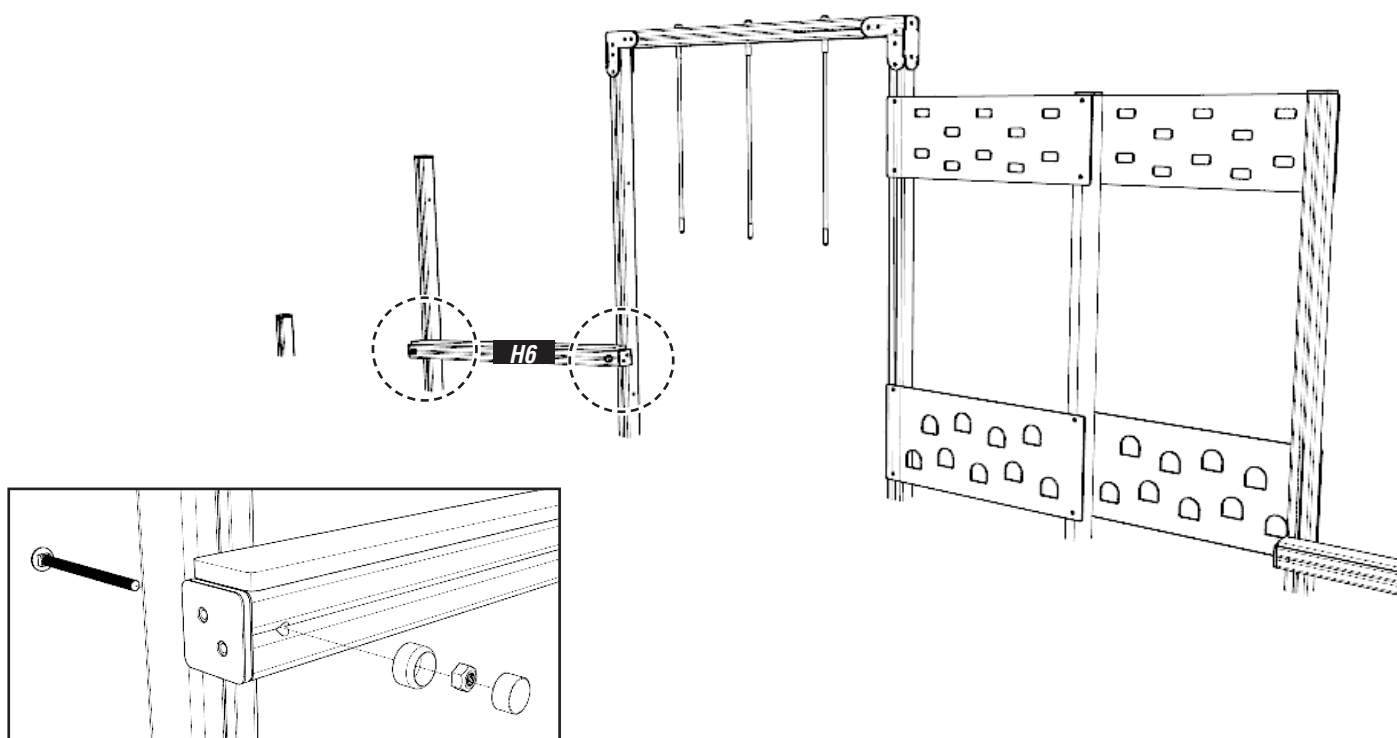
USING M12 X 50MM SOCKET NUT, D - SHACKLE AND EYEBOLT SHOULD BE PRE-ATTACHED TO CHAIN



12

ATTACH TIMBER H6

USING 274.M12X200 / 656.M12 / 102003-01

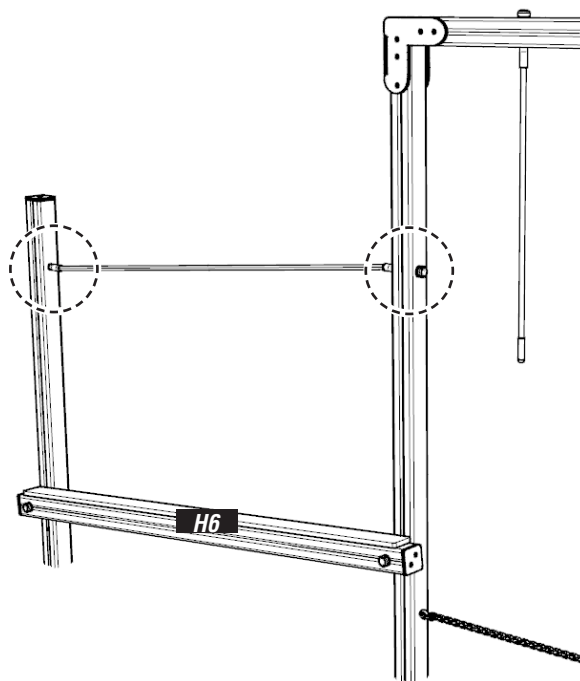
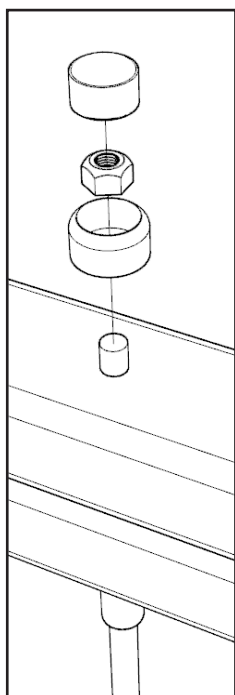


INSTALLATION INSTRUCTIONS

13

ATTACH TRAVERSE ROPE ABOVE TIMBER H6

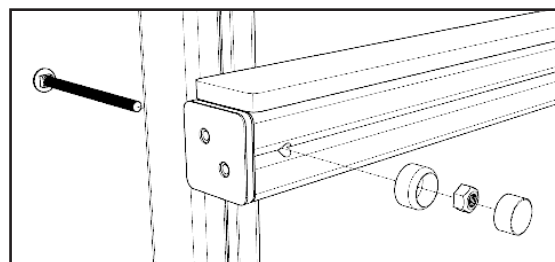
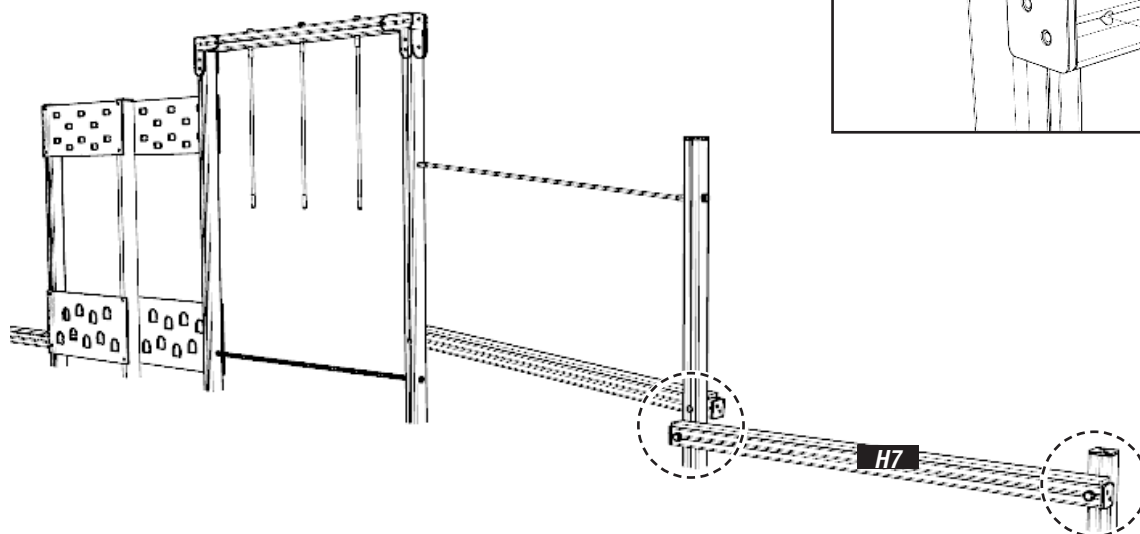
USING 656.M12 / 102003-01



14

ATTACH TIMBER H7

USING 274.M12X200 / 656.M12 / 102003-01



ADDITIONAL DIMENSIONS

