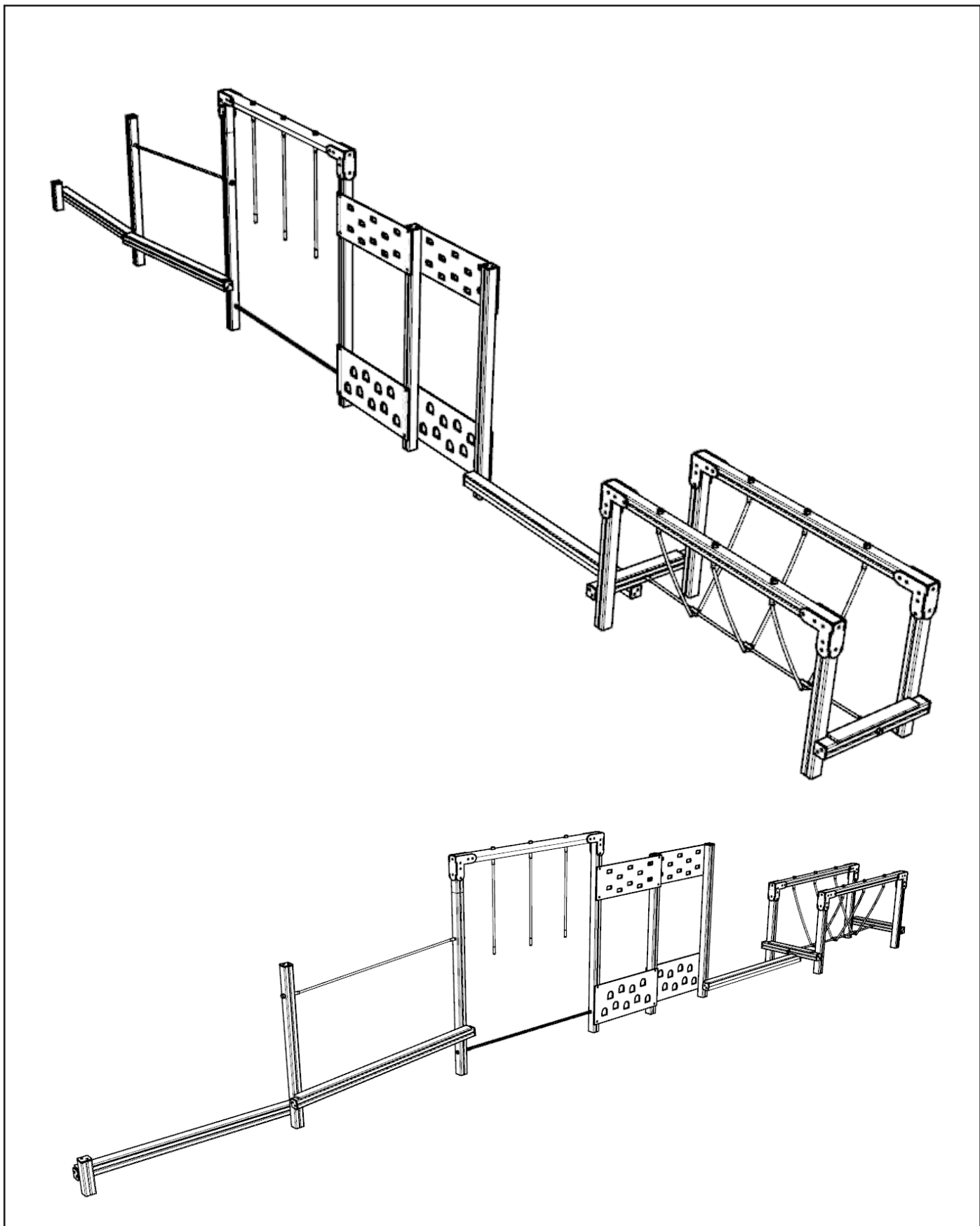


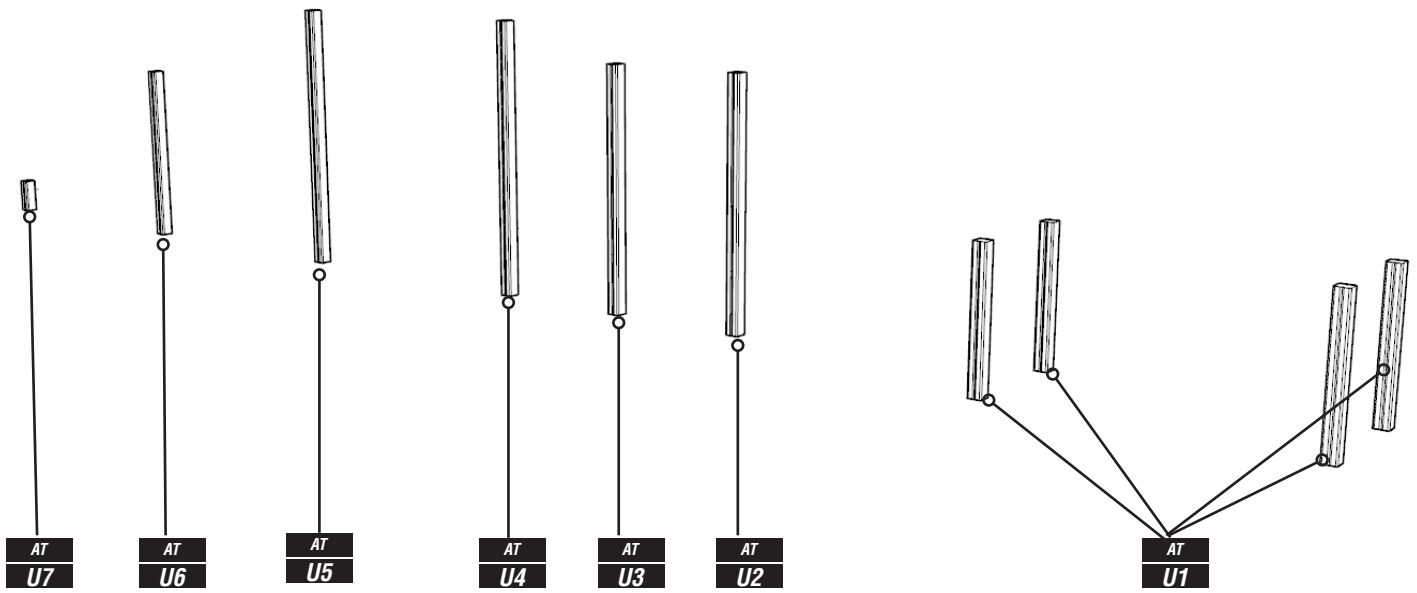
# AT6 - ADVENTURE TRAIL 6

## Installation Instructions

creative  
play



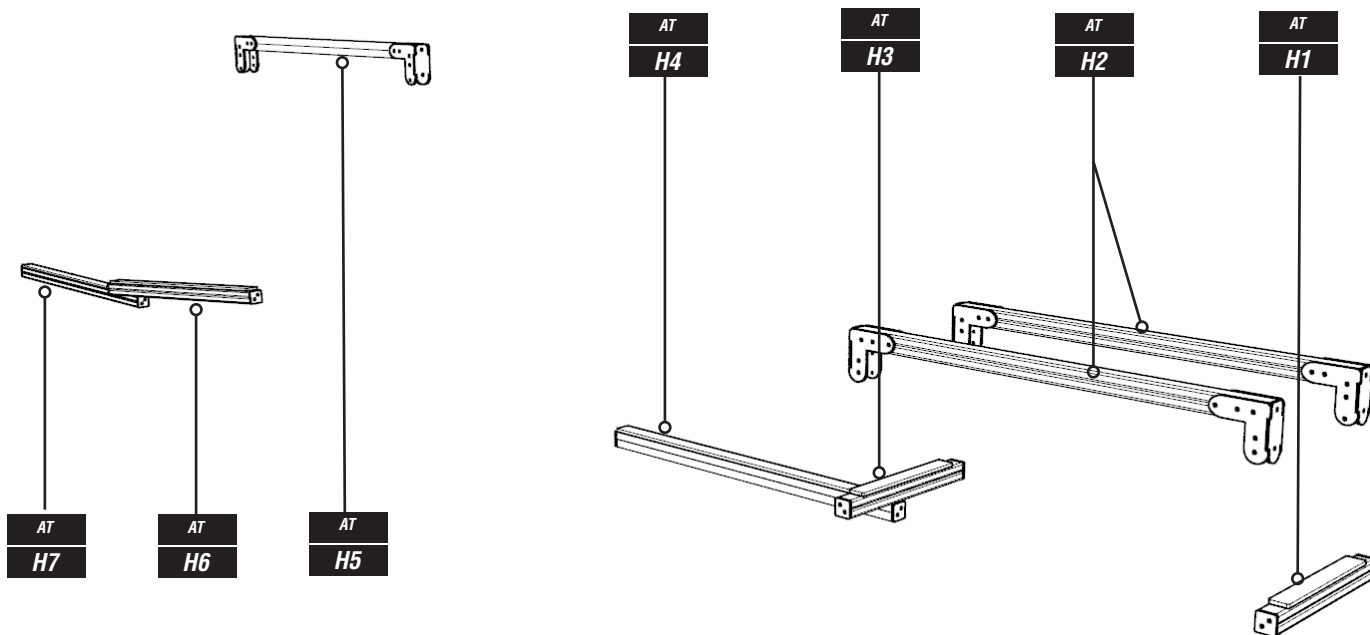
# PARTS REQUIRED



## UPRIGHT TIMBERS

\*PLEASE NOTE ALL H TIMBERS ARE PRE-ASSEMBLED WITH PLAYTEC L's AND/OR HEXBOARD (AS SHOWN ABOVE)

CODE	QTY	SIZE	END	ADDITIONAL INFORMATION
AT - U1	4	1800	-	UPRIGHT TIMBERS
AT - U2	1	2715	END CAP	UPRIGHT TIMBERS
AT - U3	1	2715	END CAP	UPRIGHT TIMBERS
AT - U4	1	3000	-	UPRIGHT TIMBERS
AT - U5	1	3000		UPRIGHT TIMBERS
AT - U6	1	2335	END CAP	UPRIGHT TIMBERS
AT - U7	1	1055	END CAP	UPRIGHT TIMBERS

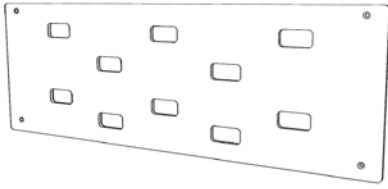


### HORIZONTAL TIMBERS

\*PLEASE NOTE ALL H TIMBERS ARE PRE-ASSEMBLED WITH PLAYTEC L'S AND/OR HEXBOARD (AS SHOWN ABOVE)

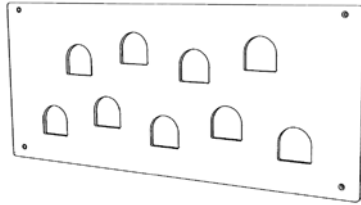
CODE	SIZE	QTY	START	END	ADDITIONAL INFORMATION
AT - H1	900	1	END CAP	END CAP	HORIZONTAL TIMBER (HEXA GRIP SLAT)
AT - H2	2100	2	PLAYTEC L'S	PLAYTEC L'S	HORIZONTAL TIMBER
AT - H3	900	1	END CAP	END CAP	HORIZONTAL TIMBER (HEXA GRIP SLAT)
AT - H4	2010	1	END CAP	END CAP	HORIZONTAL TIMBER (HEXA GRIP SLAT)
AT - H5	2100	1	PLAYTEC L'S	PLAYTEC L'S	HORIZONTAL TIMBER
AT - H6	2160	1	END CAP	END CAP	HORIZONTAL TIMBER (HEXA GRIP SLAT)
AT - H7	2100	1	END CAP	END CAP	HORIZONTAL TIMBER (HEXA GRIP SLAT)

# PARTS REQUIRED



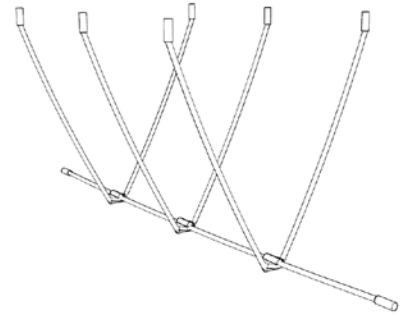
x2

**CLIMBING PANELS (UPPER)**



x2

**CLIMBING PANELS (LOWER)**



x1

**ROPE BRIDGE**



x3

**SWINGING ROPES**



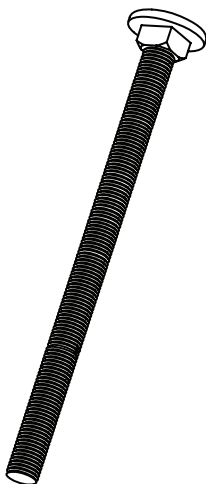
x1

**SWINGING ROPE CHAIN**



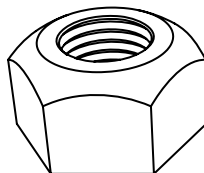
x1

**TRAVERSE ROPE**



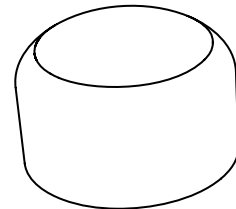
x8

**274.M12X200**



x23

**656.M12**

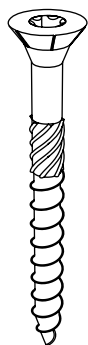


x23

**102003-01 - M12**

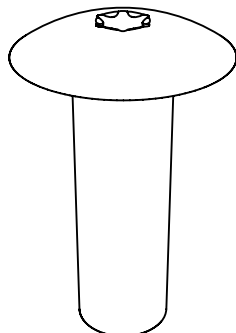
# PARTS REQUIRED

---



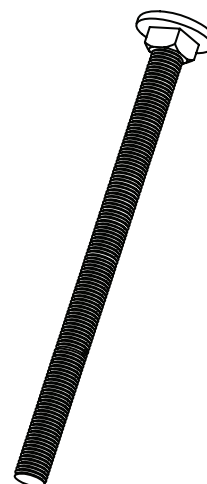
x47

**97.M8X80CSK**



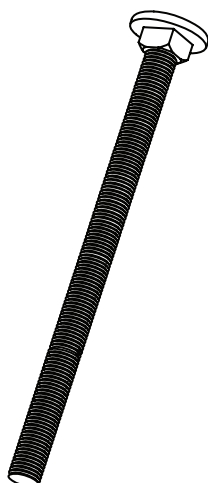
x2

**M12 SOCKET NUT (50MM)**



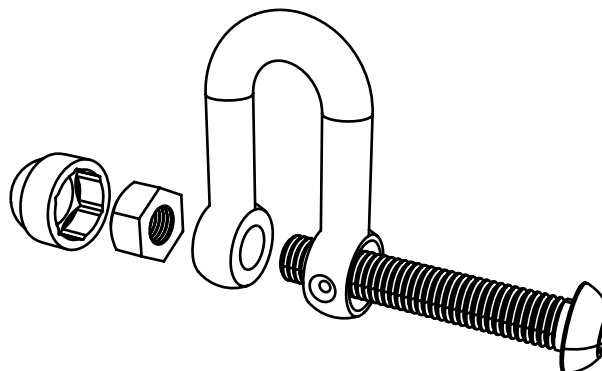
x1

**274.M12X220**



x1

**274.M12X180**

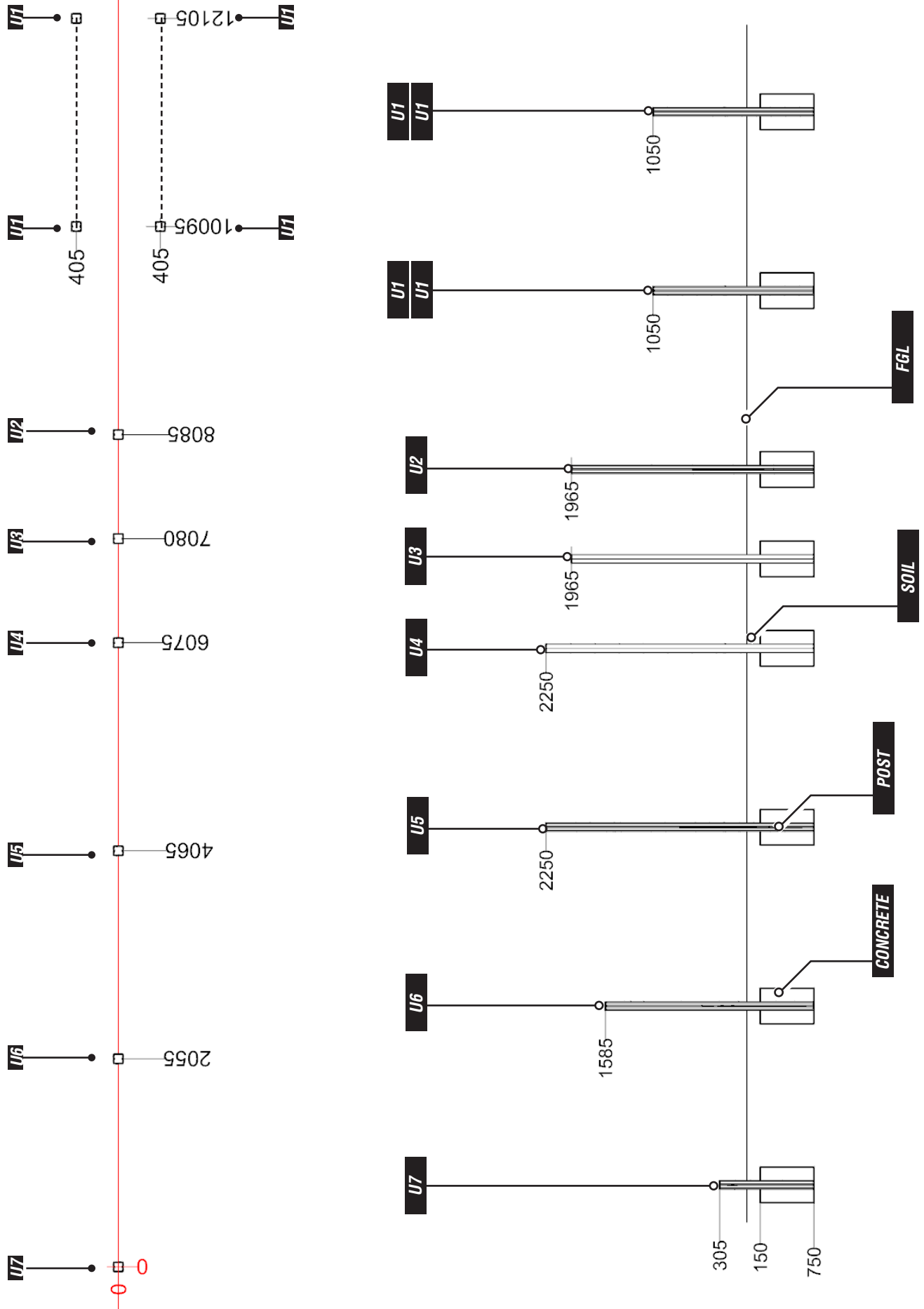


**CONSISTS OF  
SHACKLE / BOLT / NYLOC / CAP**

x2

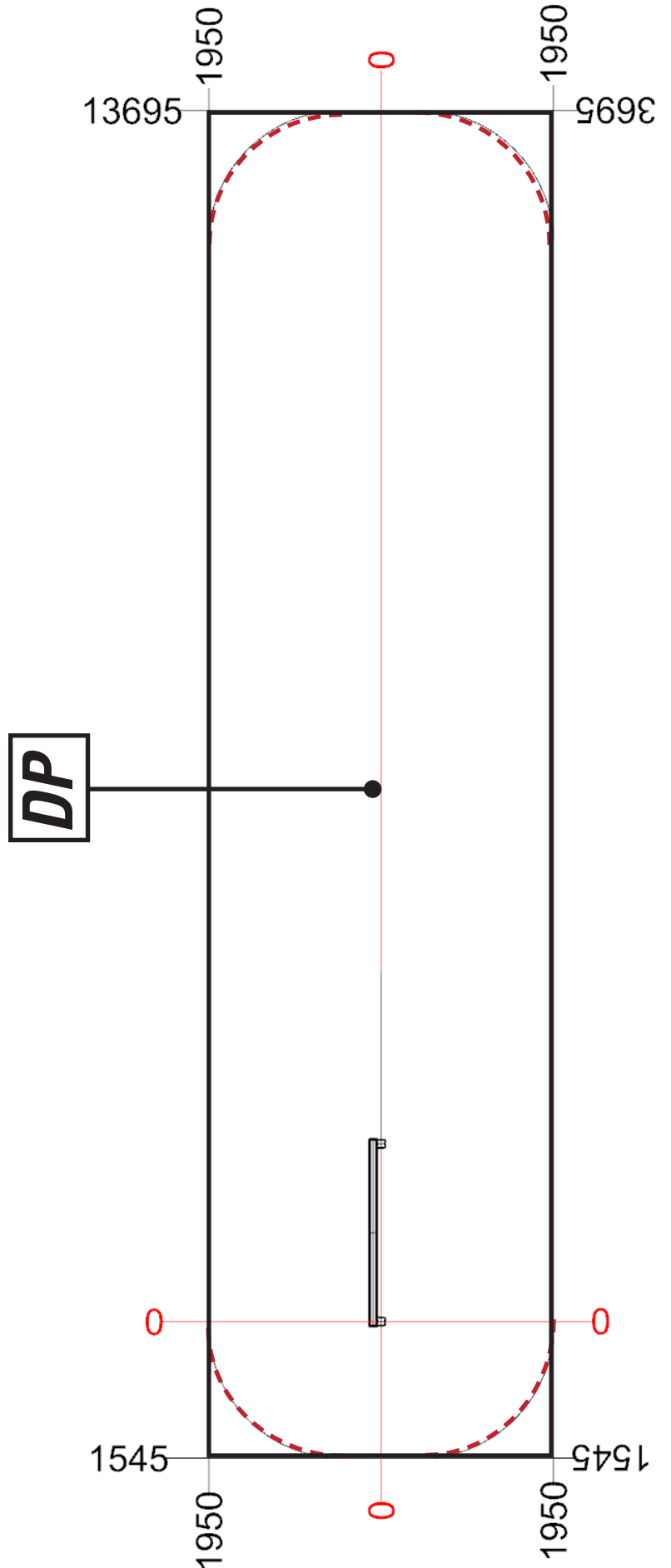
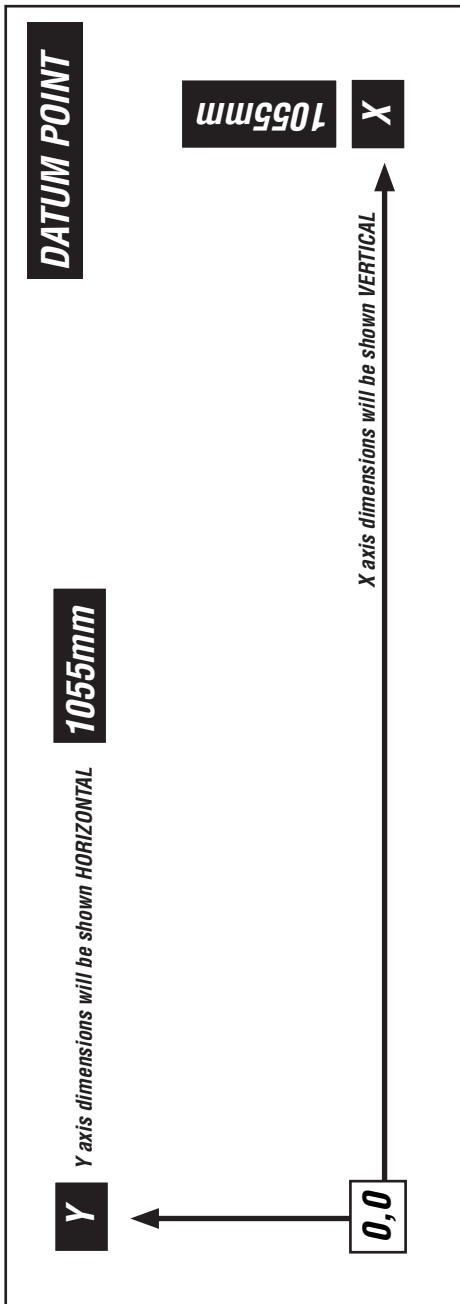
**349.742.D-SHACKLE 'SET'**

# FOUNDATION DETAILS



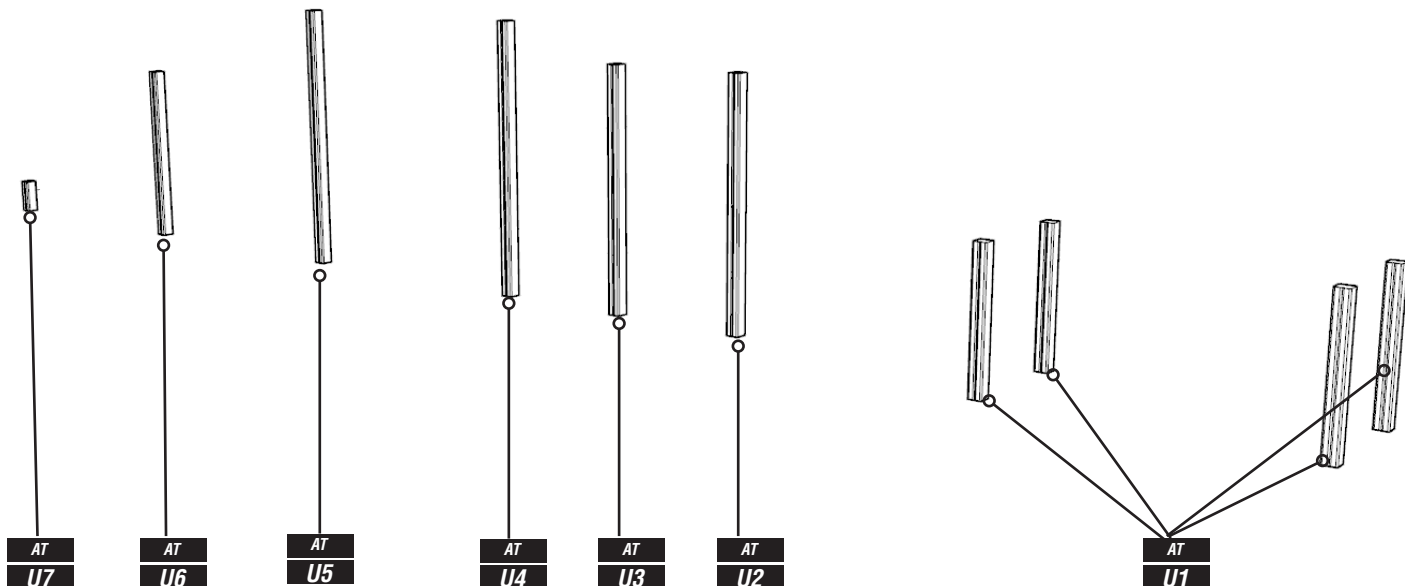
# SURFACING DETAILS

- - - = *MINIMUM SPACE*  
**—** = *OVERALL AREA*

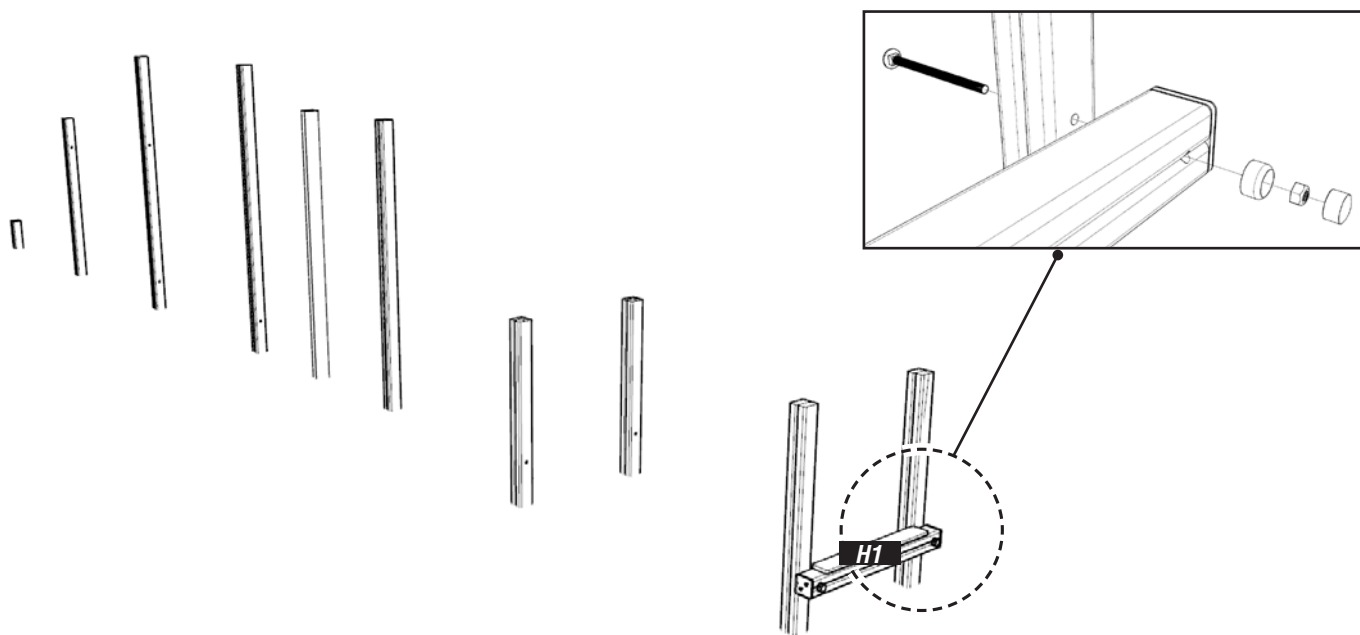


# INSTALLATION INSTRUCTIONS

## **1** POSITION THE UPRIGHT TIMBERS FOLLOWING FOUNDATION DETAILS



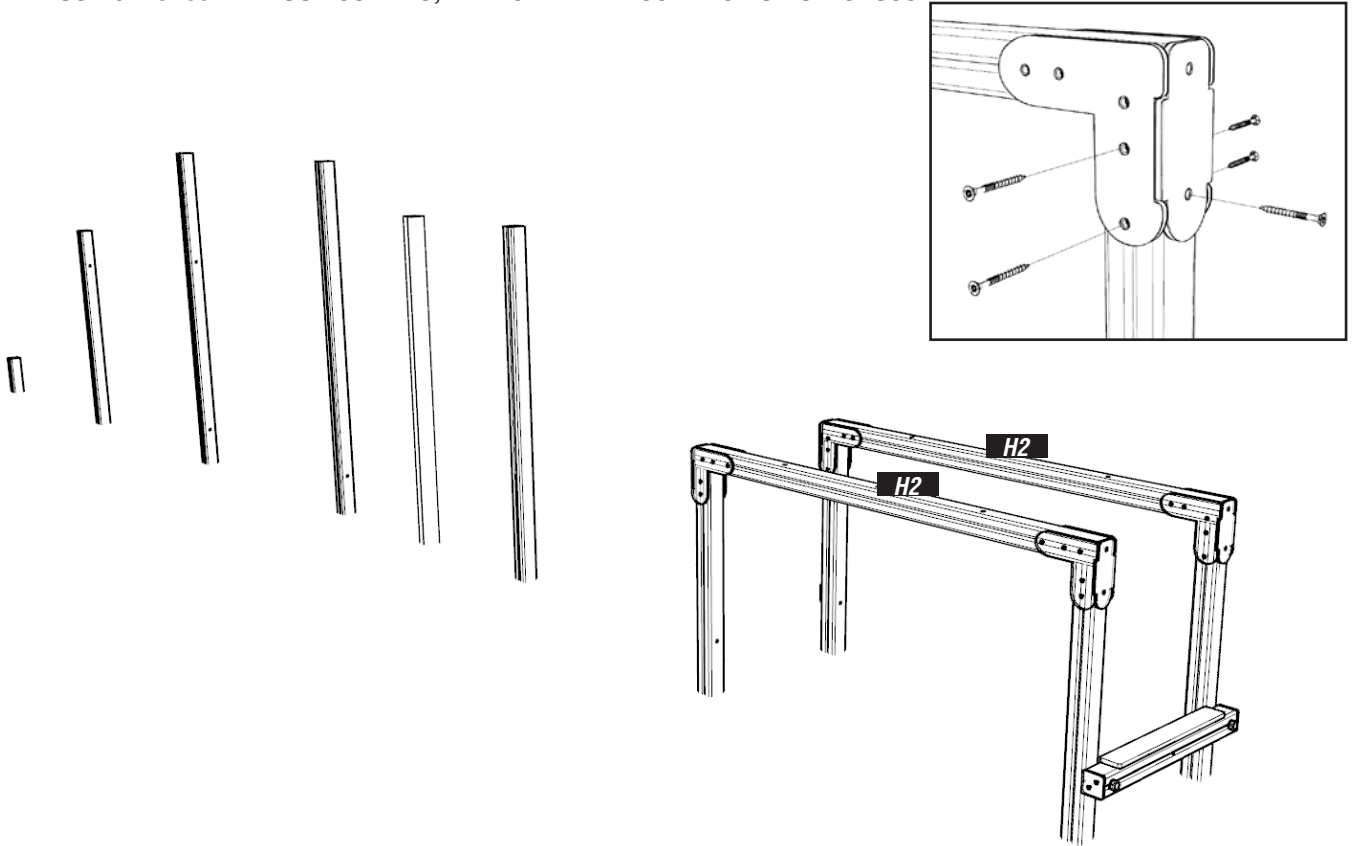
## **2** ATTACH TIMBER H1 USING 274.M12X200 / 656.M12 / 102003-01, SECURE HEXBOARD WITH M8X80MM WOOD SCREWS



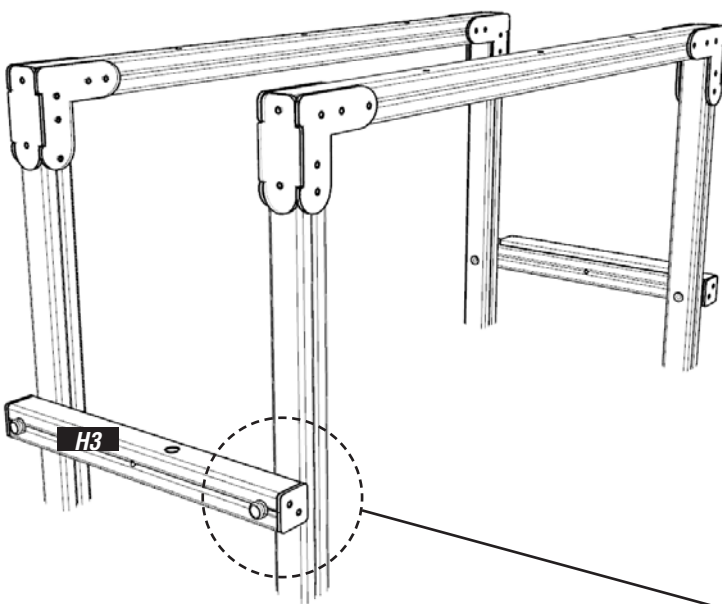


# INSTALLATION INSTRUCTIONS

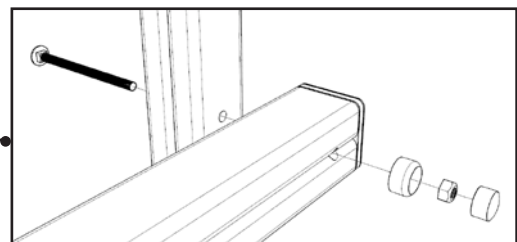
**3** ATTACH H2 TIMBERS USING PLAYTEC L'S  
USING M8X80MM WOOD SCREWS, TAKE CARE THAT SCREWS DO NOT 'CROSS'



**4** ATTACH TIMBER H3  
USING 274.M12X200 / 656.M12 / 102003-01



**NOTES:**  
H3 HEXBOARD SLAT WILL NOT BE ATTACHED UNTIL STEP 7

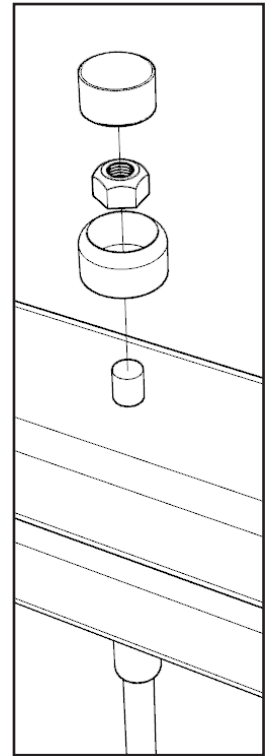
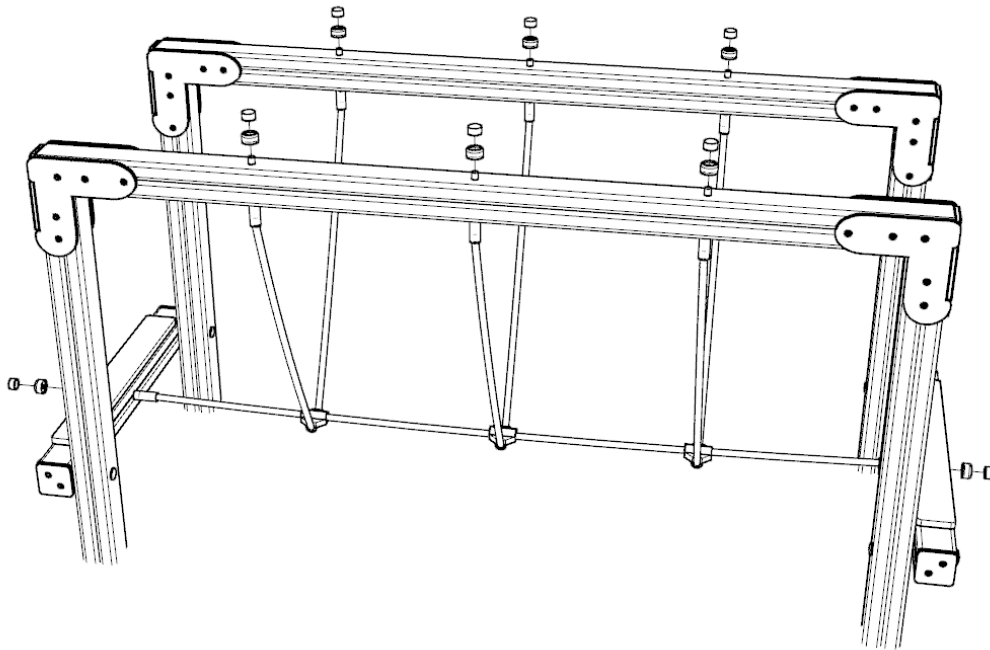


# INSTALLATION INSTRUCTIONS

**5**

## ATTACH ROPE BRIDGE

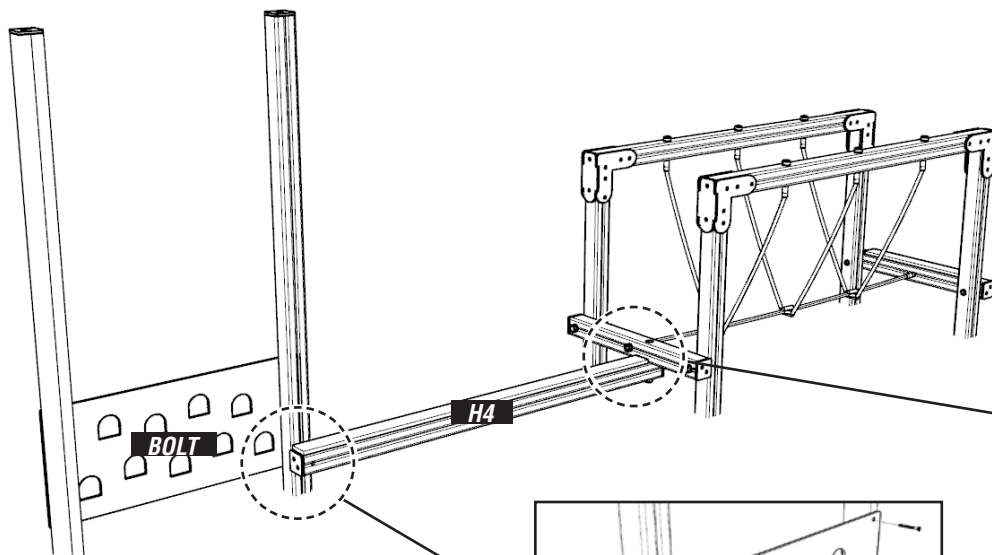
USING 656.M12 / 102003-01



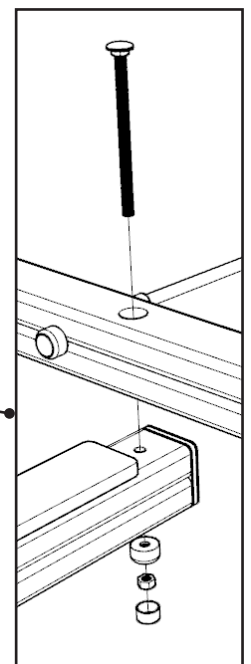
**6**

## ATTACH TIMBER H4 AND LOWER PLAYTEC CLIMBING PANEL SHOWN

USING 274.M12X180 & 220 / 656.M12 / 102003-01 AND M8X80MM WOOD SCREWS

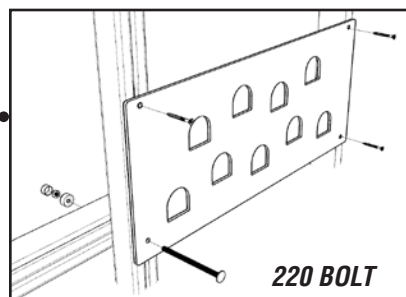


180 BOLT



### NOTES:

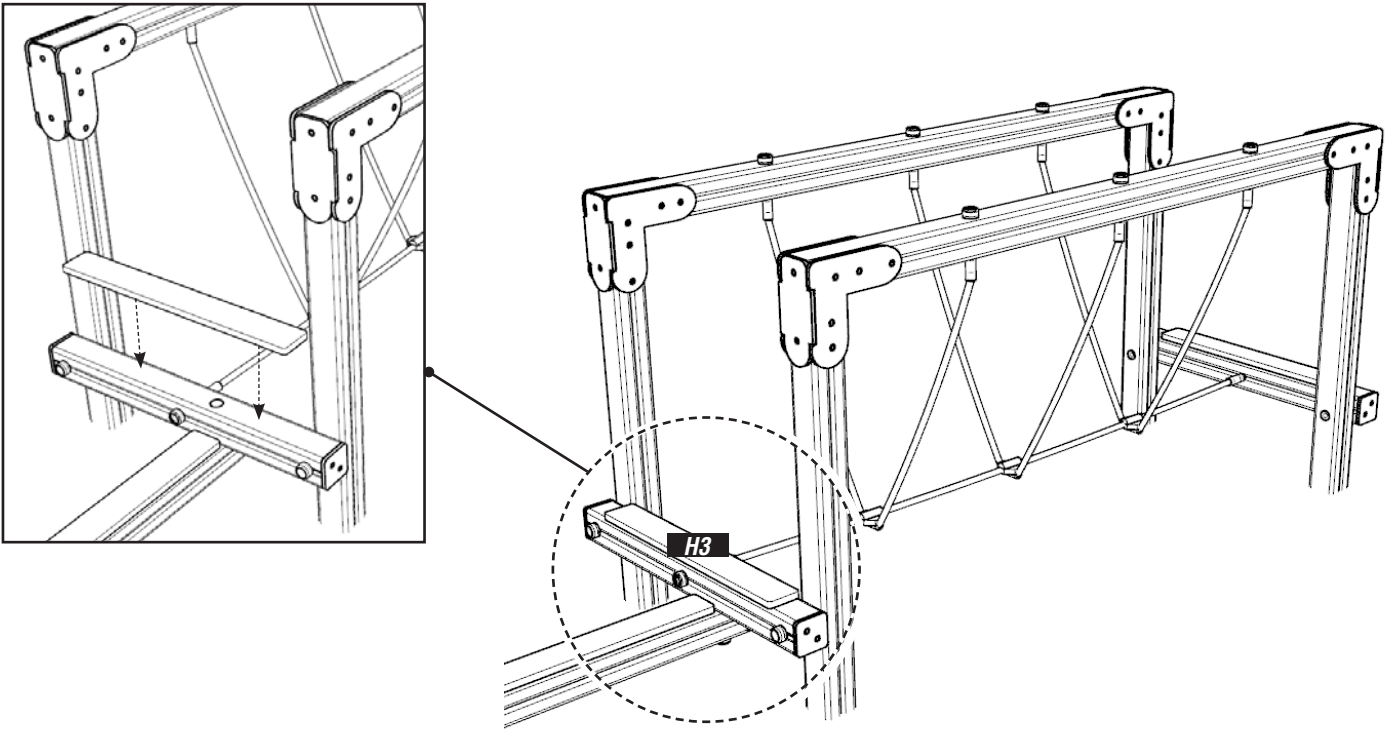
ATTACH PANEL ON OPPOSITE FACE TO BEAM  
ONE LOWER PLAYTEC PANEL HAS HOLE DRILLED FOR BOLT (SEE CNC)



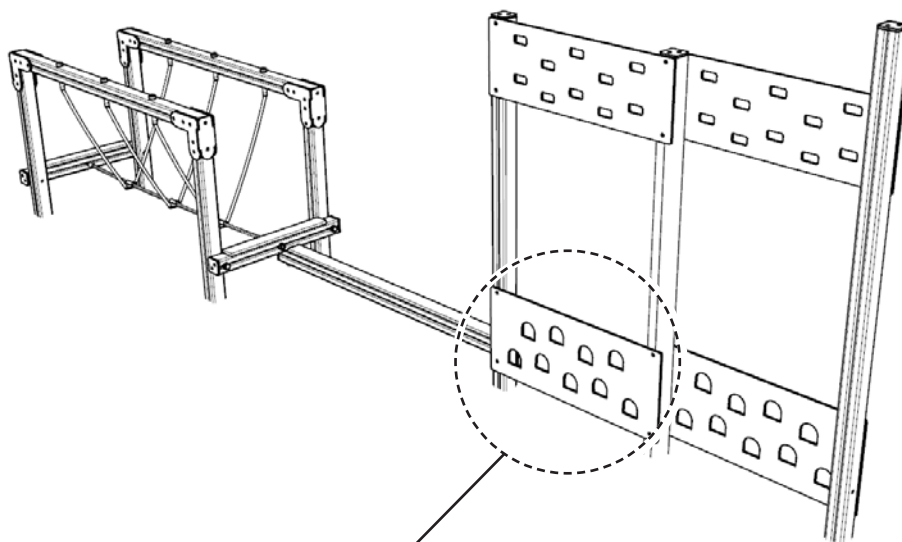
220 BOLT

# INSTALLATION INSTRUCTIONS

## **7** ATTACH H3 HEXBOARD SLAT USING 8X80MM WOOD SCREWS TO COVER COUNTERSUNK BOLT

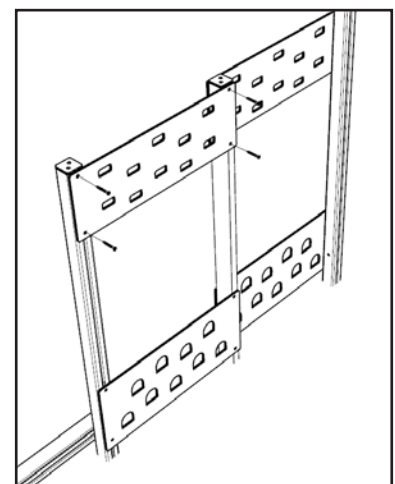


## **8** ATTACH REMAINING 3 PLAYTEC CLIMBING PANELS USING 8X80MM WOOD SCREWS



**NOTES:**  
ENSURE SECOND SET OF PANELS  
ARE ON OPPOSITE FACE TO FIRST

**NOTES:**  
THIS PANEL IS ALREADY ATTACHED AS  
PER STEP 6

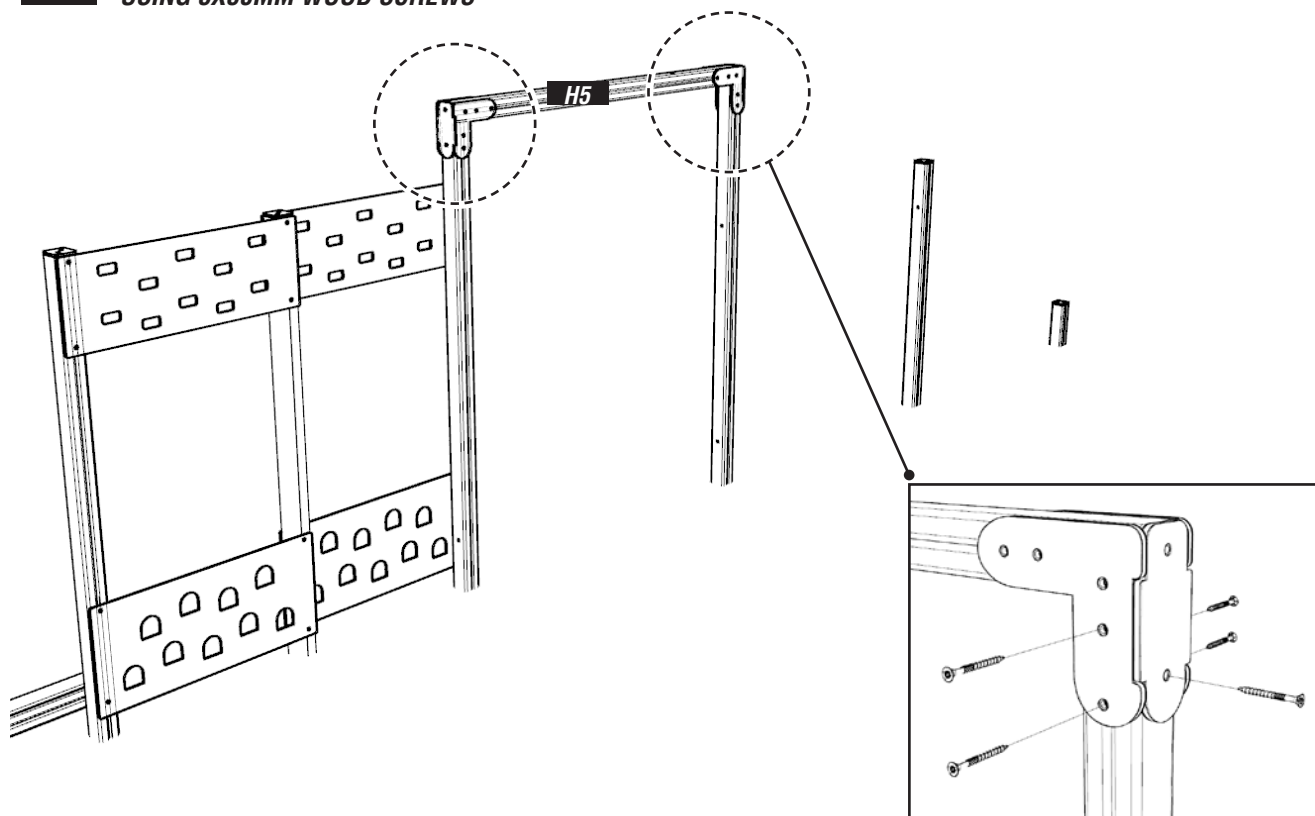


# INSTALLATION INSTRUCTIONS

**9**

**ATTACH TIMBER H5 USING PLAYTEC L'S**

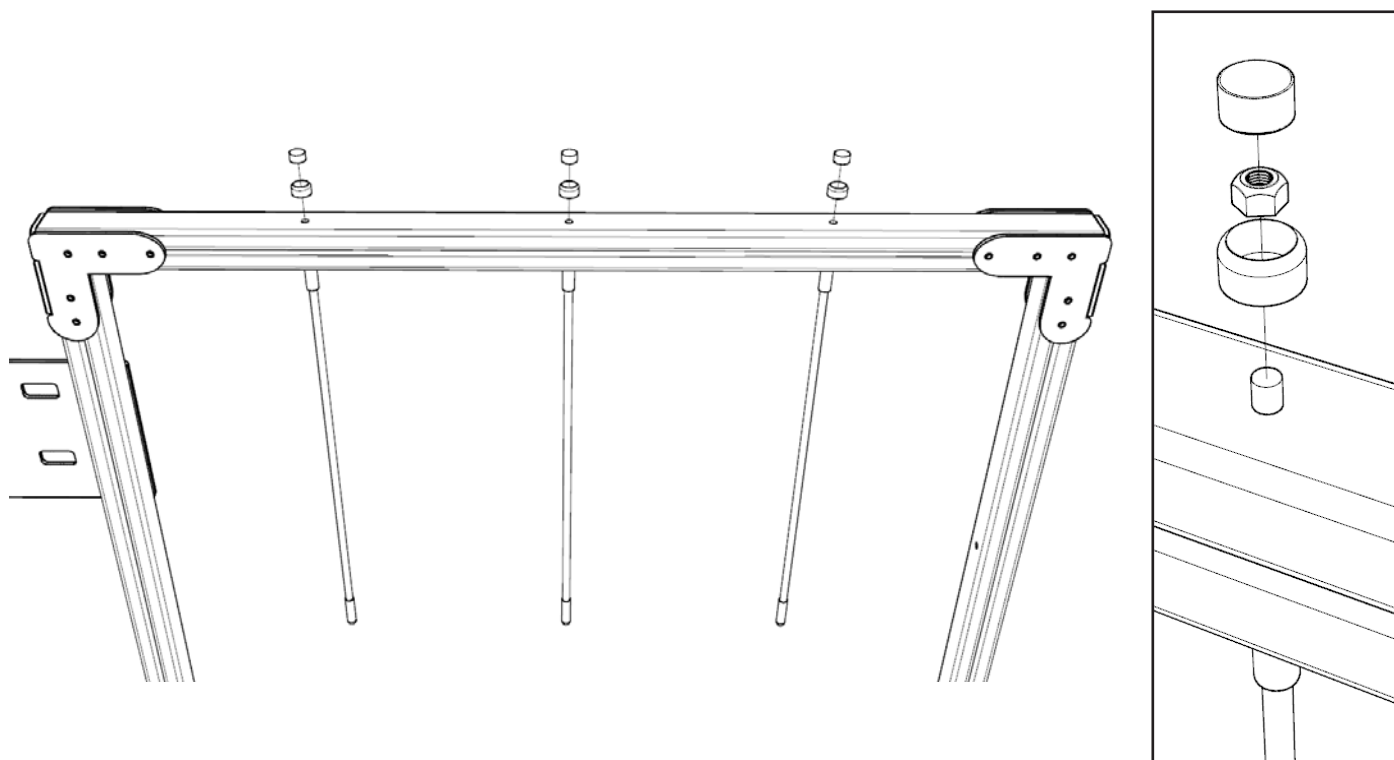
USING 8X80MM WOOD SCREWS



**10**

**ATTACH SWINGING ROPES TO TIMBER H5**

USING 656.M12 / 102003-01

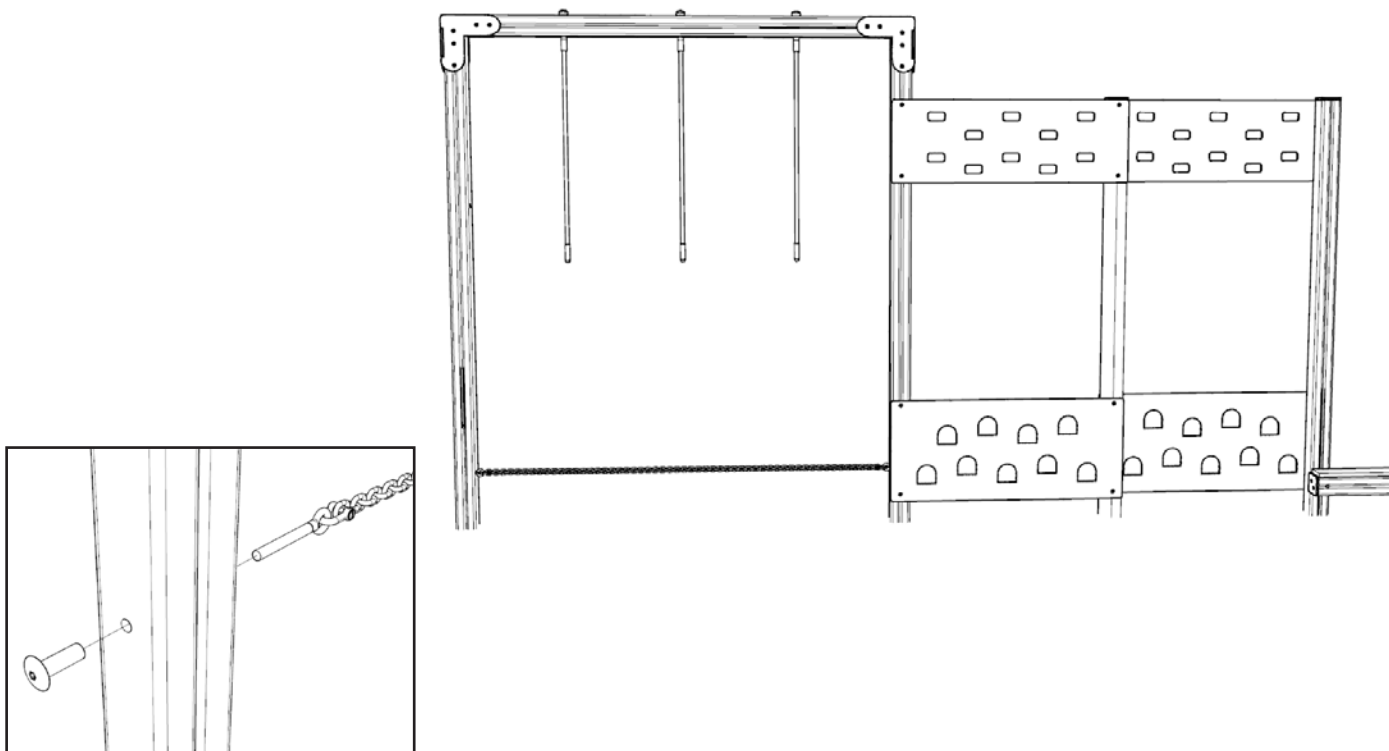


# INSTALLATION INSTRUCTIONS

**11**

## ATTACH SWINGING ROPE CHAIN

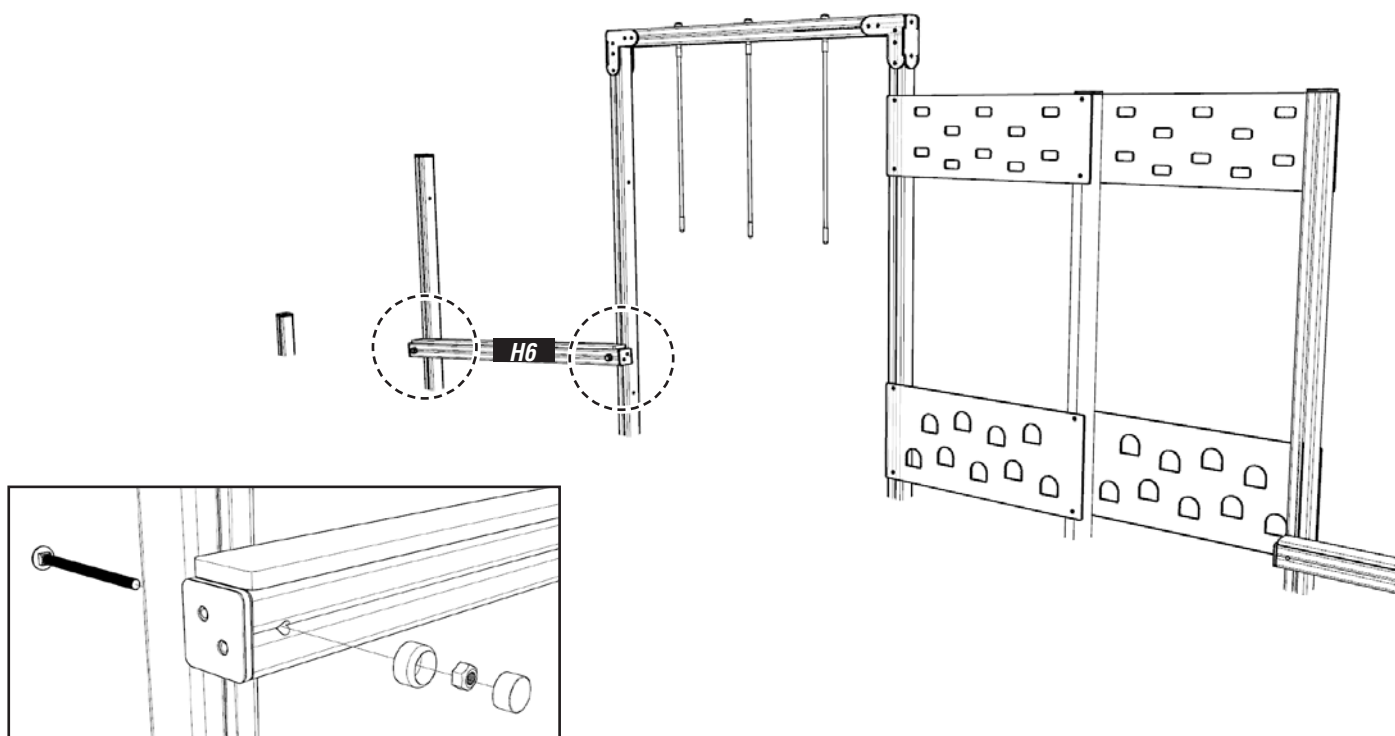
USING M12 X 50MM SOCKET NUT, D - SHACKLE AND EYEBOLT SHOULD BE PRE-ATTACHED TO CHAIN



**12**

## ATTACH TIMBER H6

USING 274.M12X200 / 656.M12 / 102003-01

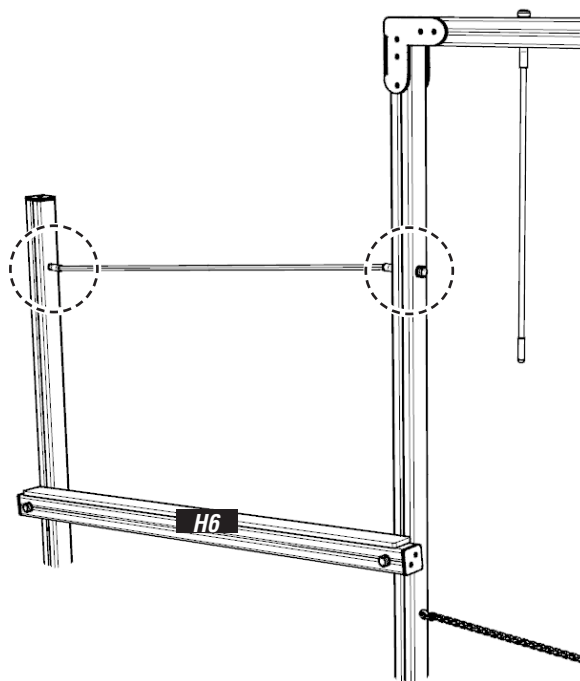
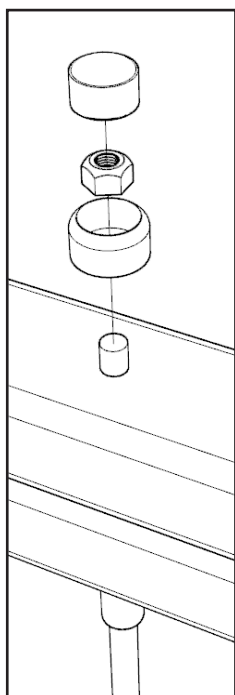


# INSTALLATION INSTRUCTIONS

**13**

## ATTACH TRAVERSE ROPE ABOVE TIMBER H6

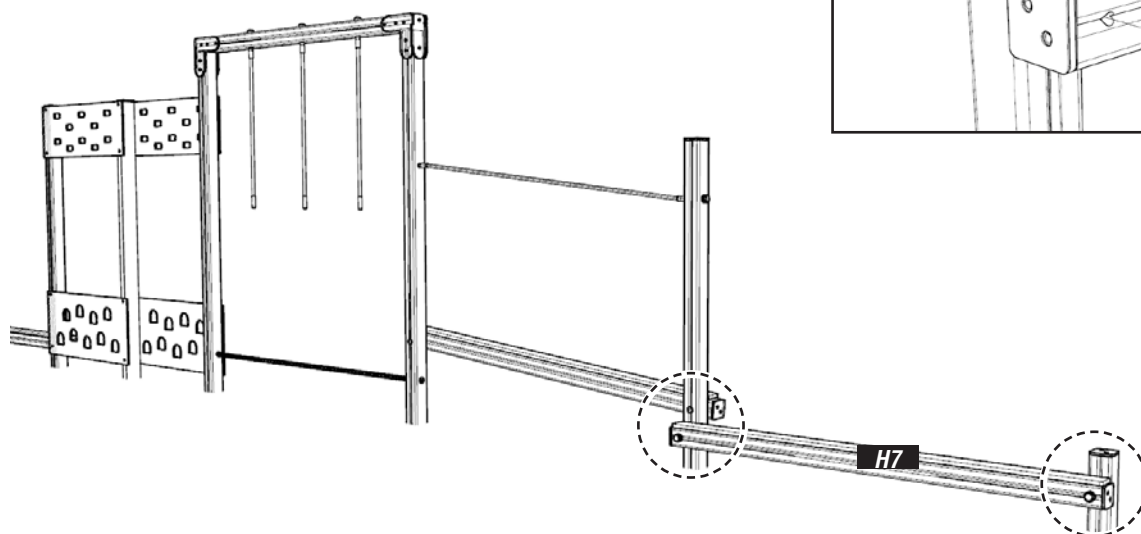
USING 656.M12 / 102003-01



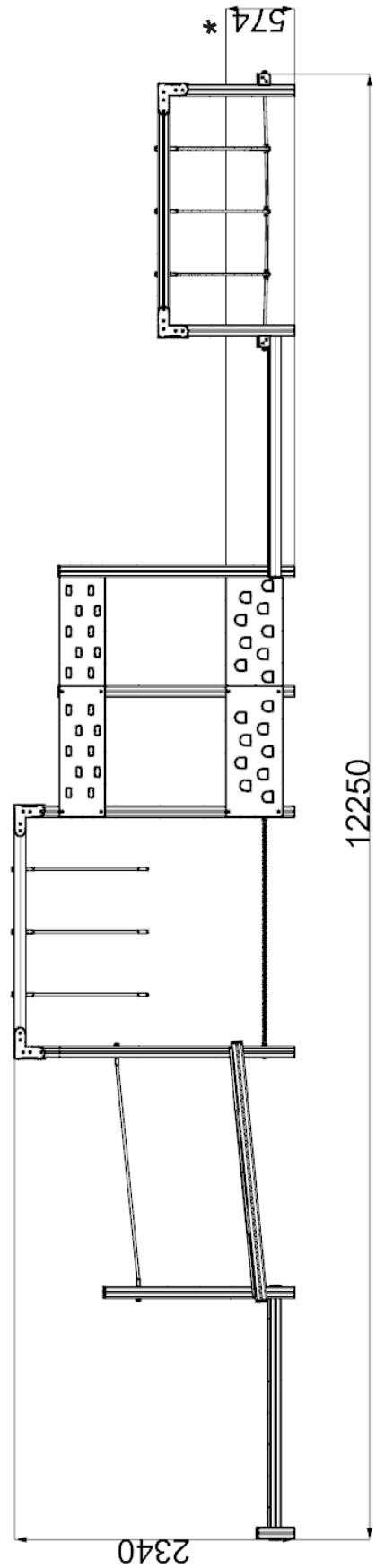
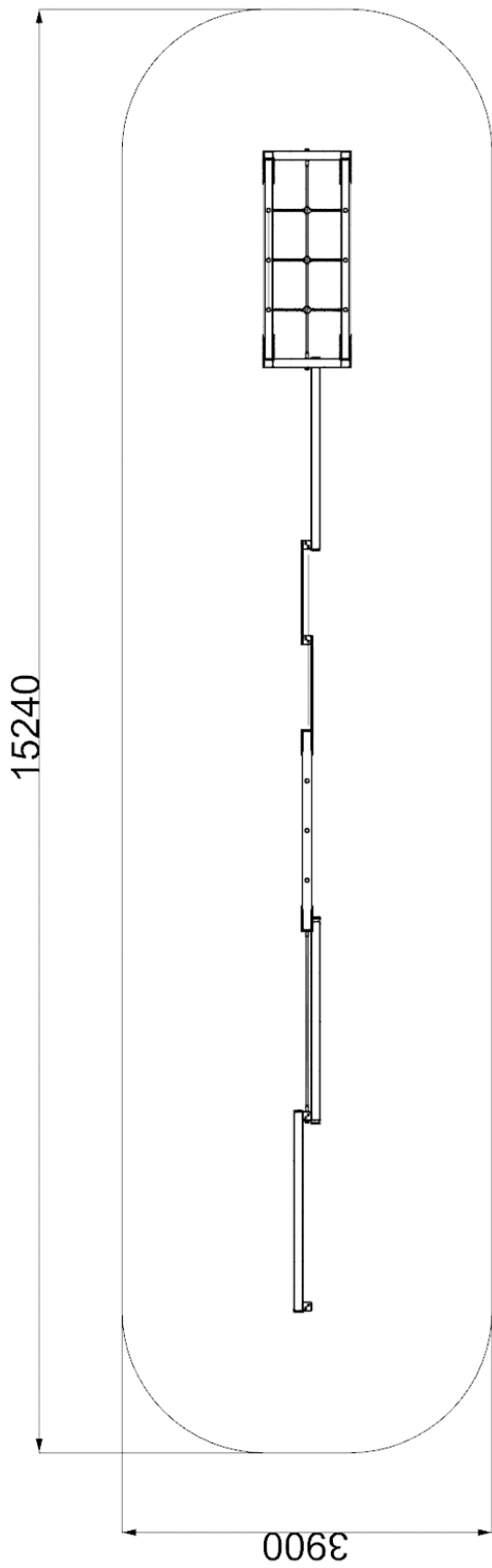
**14**

## ATTACH TIMBER H7

USING 274.M12X200 / 656.M12 / 102003-01



# ADDITIONAL DIMENSIONS



**\* MAX FALL HEIGHT**