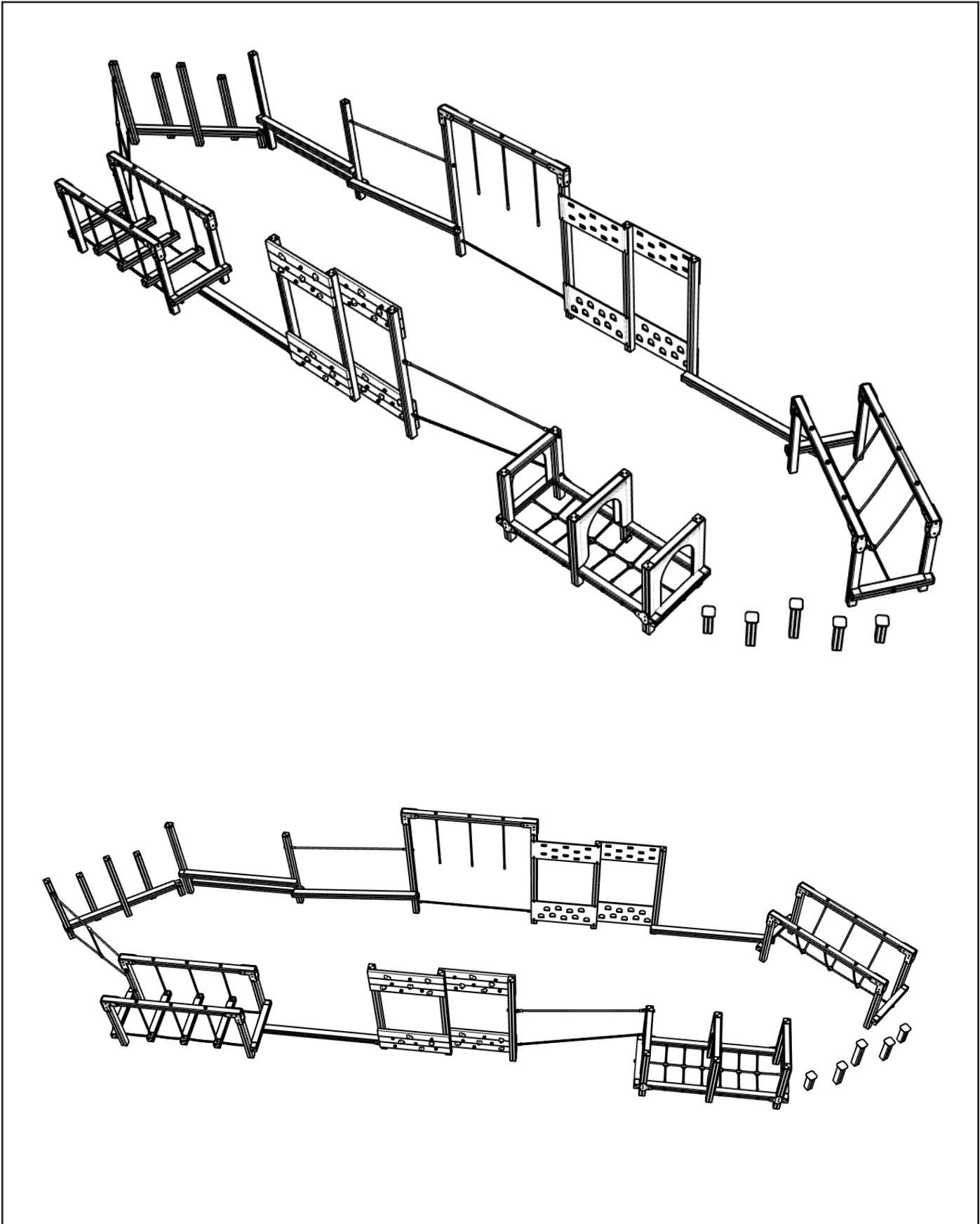
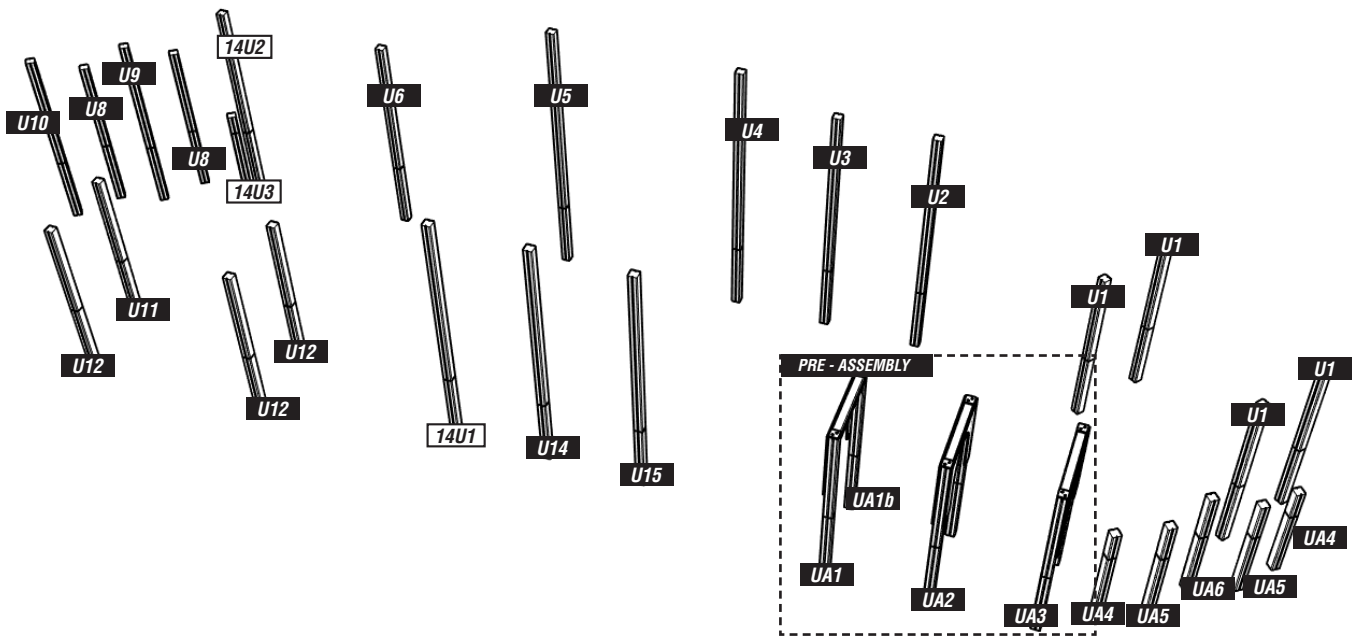


AT14 - ADVENTURE TRAIL 14

Installation Instructions



PARTS REQUIRED

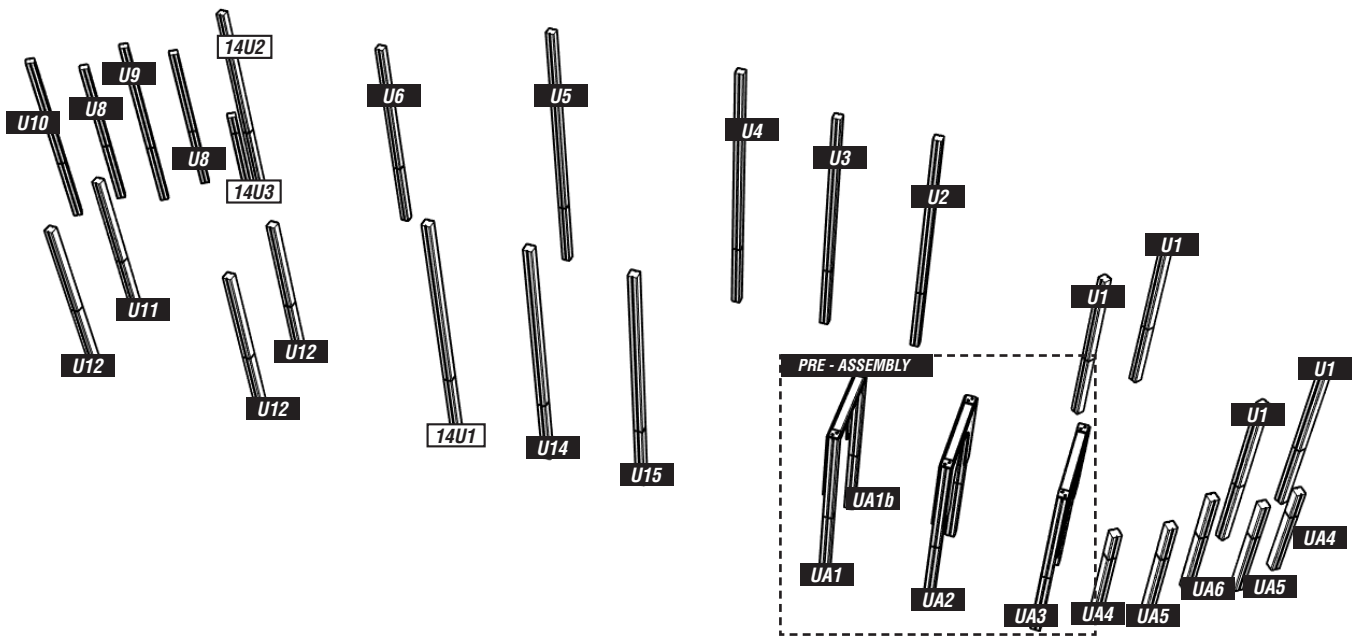


*PLEASE NOTE ALL H TIMBERS ARE PRE-ASSEMBLED WITH PLAYTEC L'S AND/OR HEXBOARD (AS SHOWN ABOVE)

UPRIGHT TIMBERS

CODE	TYPE	SIZE	QTY	ADDITIONAL INFORMATION
AT - U1	90x90	1800	4	UPRIGHT TIMBER
AT - U2	90x90	2715	1	UPRIGHT TIMBER
AT - U3	90x90	2715	1	UPRIGHT TIMBER
AT - U4	90x90	3000	1	UPRIGHT TIMBER
AT - U5	90x90	3000	1	UPRIGHT TIMBER
AT - U6	90x90	2335	1	UPRIGHT TIMBER
AT - U8	90x90	1800	2	UPRIGHT TIMBER
AT - U9	90x90	2100	1	UPRIGHT TIMBER
AT - U10	90x90	2100	1	UPRIGHT TIMBER
AT - U11	90x90	1800	1	UPRIGHT TIMBER
AT - U12	90x90	1800	3	UPRIGHT TIMBER
AT - U14	90x90	2715	1	UPRIGHT TIMBER
AT - U15	90x90	2715	1	UPRIGHT TIMBER

PARTS REQUIRED



*PLEASE NOTE ALL H TIMBERS ARE PRE-ASSEMBLED WITH PLAYTEC L'S AND/OR HEXBOARD (AS SHOWN ABOVE)

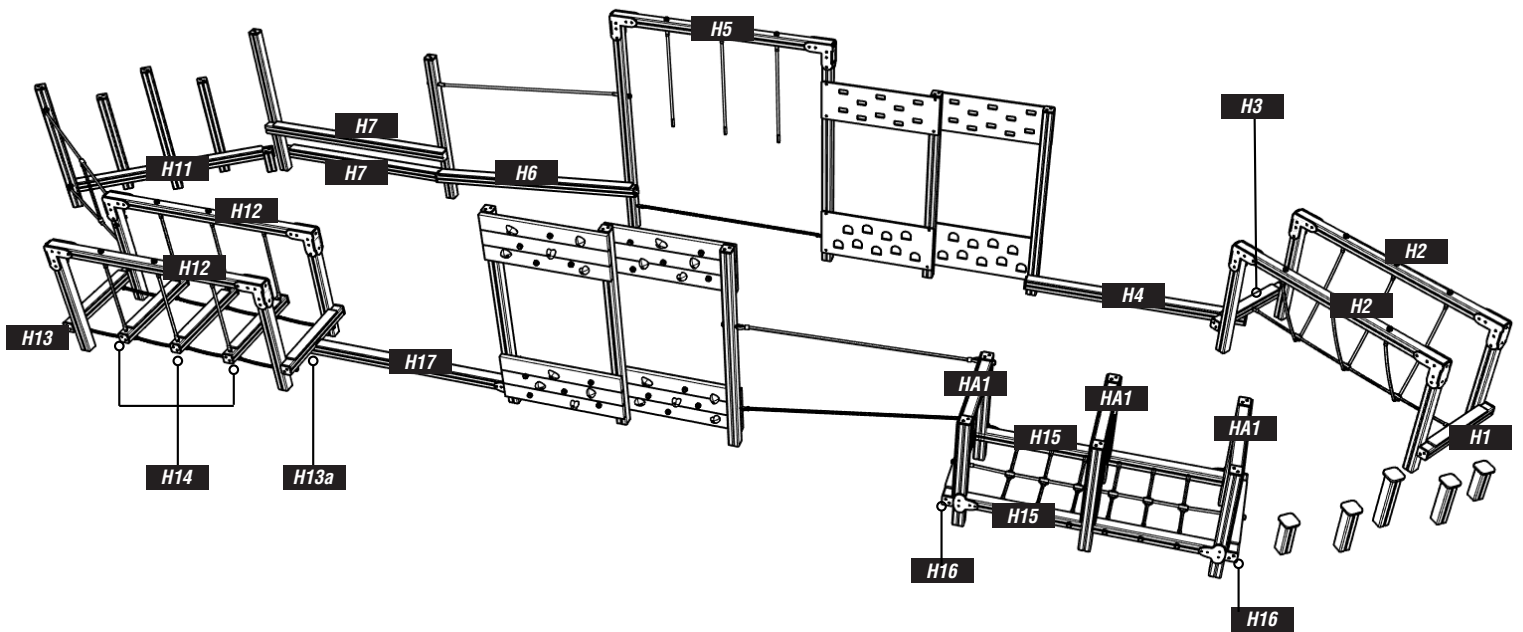
UPRIGHT TIMBERS CONTINUED

CODE	TYPE	SIZE	QTY	ADDITIONAL INFORMATION
AT - UA1	90x90	1800	1	TUNNEL ASSEMBLY
AT - UA1b	90x90	1800	1	TUNNEL ASSEMBLY
AT - UA2	90x90	1800	2	TUNNEL ASSEMBLY, SEE DRAWING
AT - UA3	90x90	1800	2	TUNNEL ASSEMBLY, SEE DRAWING
AT - UA4	90x90	1050	2	
AT - UA5	90x90	1155	2	SEE DRAWING
AT - UA6	90x90	1250	1	SEE DRAWING

NEW SPECIFIC TO AT14

14U1	90x90	2715	1	UPRIGHT TIMBER
14U2	90x90	2335	1	UPRIGHT TIMBER
14U3	90x90	973	1	UPRIGHT TIMBER

PARTS REQUIRED

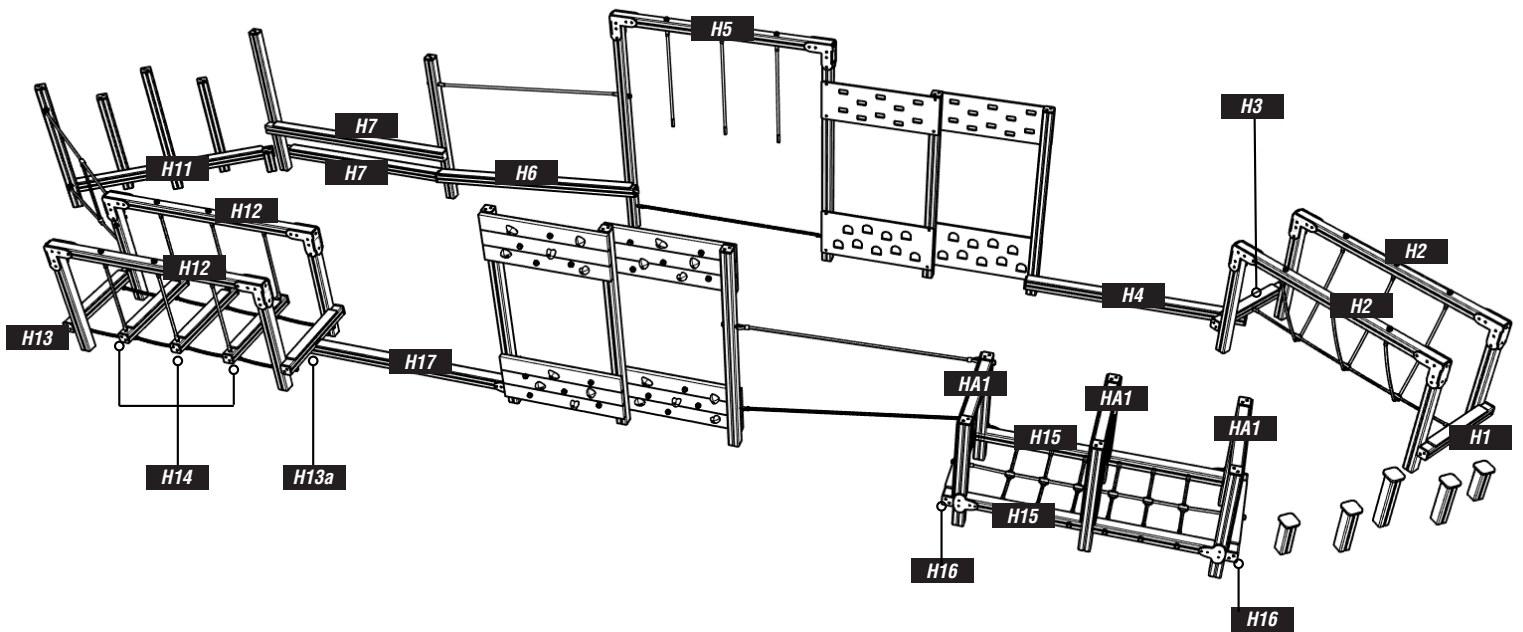


*PLEASE NOTE ALL H TIMBERS ARE PRE-ASSEMBLED WITH PLAYTEC L'S AND/OR HEXBOARD (AS SHOWN ABOVE)

HORIZONTAL TIMBERS

CODE	TYPE	SIZE	QTY	ADDITIONAL INFORMATION
AT - H1	90x90	900	1	HORIZONTAL TIMBER (HEXA GRIP SLAT)
AT - H2	90x90	2100	2	SEE DRAWING
AT - H3	90x90	900	1	HORIZONTAL TIMBER (HEXA GRIP SLAT)
AT - H4	90x90	2010	1	HORIZONTAL TIMBER (HEXA GRIP SLAT)
AT - H5	90x90	2100	1	SEE DRAWING
AT - H6	90x90	2160	1	HORIZONTAL TIMBER
AT - H7	90x90	2010	2	HORIZONTAL TIMBER
AT - H11	90X90	2010	1	HORIZONTAL TIMBER

PARTS REQUIRED

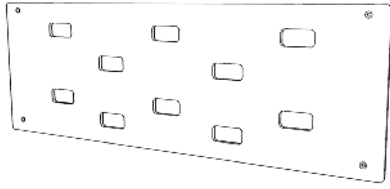


*PLEASE NOTE ALL H TIMBERS ARE PRE-ASSEMBLED WITH PLAYTEC L'S AND/OR HEXBOARD (AS SHOWN ABOVE)

HORIZONTAL TIMBERS CONTINUED

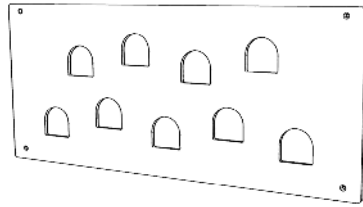
CODE	TYPE	SIZE	QTY	ADDITIONAL INFORMATION
AT - H12	90x90	2100	2	HORIZONTAL TIMBER
AT - H13	90x90	900	1	HORIZONTAL TIMBER (HEXA GRIP SLAT)
AT - H13a	90x90	900	1	HORIZONTAL TIMBER (HEXA GRIP SLAT)
AT - H14	90x90	900	3	HORIZONTAL TIMBER
AT - H15	90x90	1920	2	HORIZONTAL TIMBER
AT - H16	90x90	900	2	HORIZONTAL TIMBER (HEXA GRIP SLAT)
AT - H17	90x90	1920	1	HORIZONTAL TIMBER (HEXA GRIP SLAT)
				HORIZONTAL TIMBER
AT - HA1	90x90	720	3	TUNNEL ASSEMBLY

PARTS REQUIRED



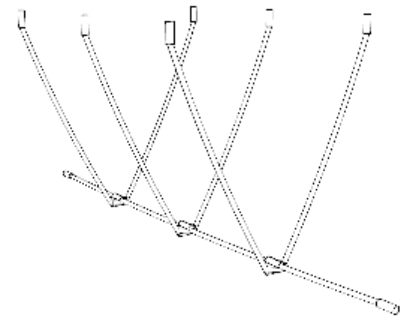
x2

CLIMBING PANELS (UPPER)



x2

CLIMBING PANELS (LOWER)



x1

ROPE BRIDGE



x3

SWINGING ROPES



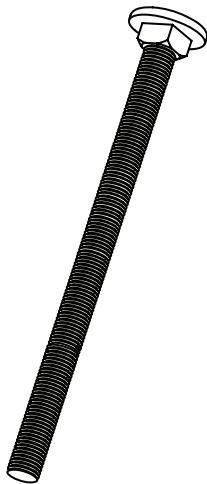
x1

SWINGING ROPE CHAIN



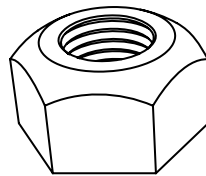
x1

TRAVERSE ROPE 1



x15

274.M12X200

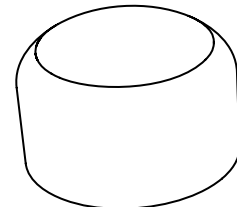


x6

656.M10

x73

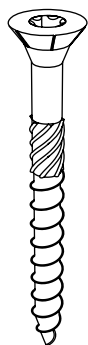
656.M12



x79

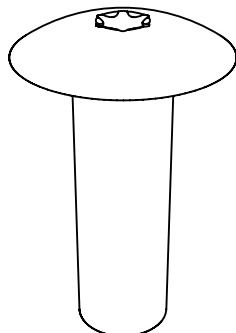
102003-01 - M12

PARTS REQUIRED



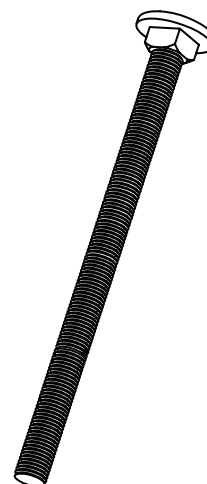
x180

97.M8X80CSK



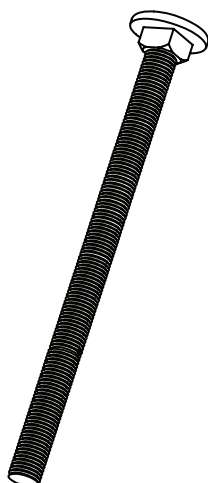
x4

M12 SOCKET NUT (50MM)



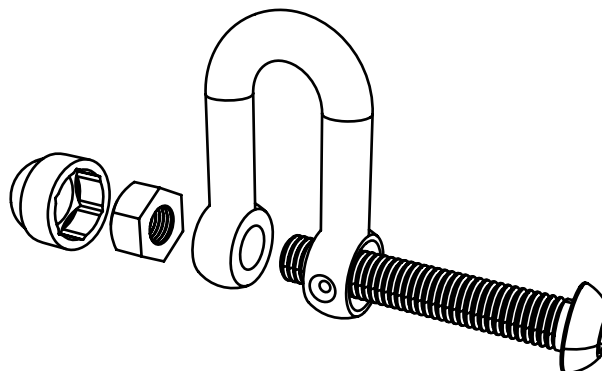
x2

274.M12X220



x8

274.M12X180

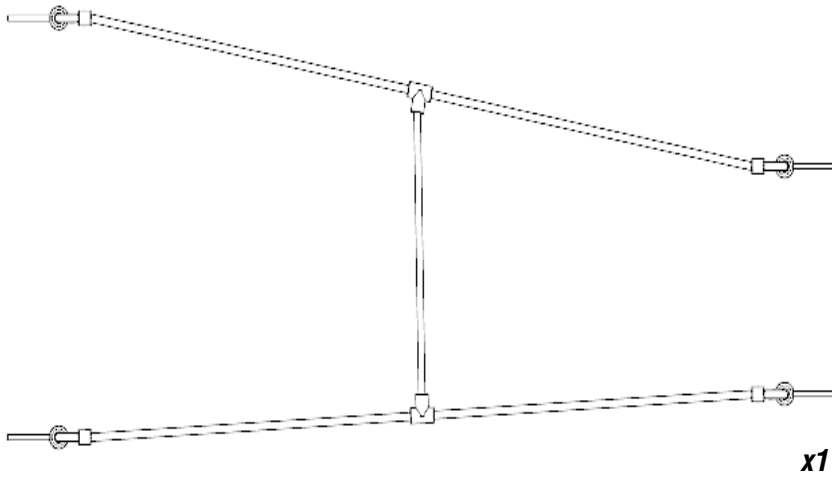


**CONSISTS OF
SHACKLE / BOLT / NYLOC / CAP**

x12

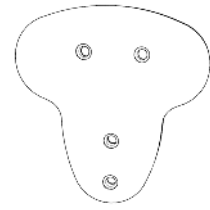
349.742.D-SHACKLE 'SET'

PARTS REQUIRED



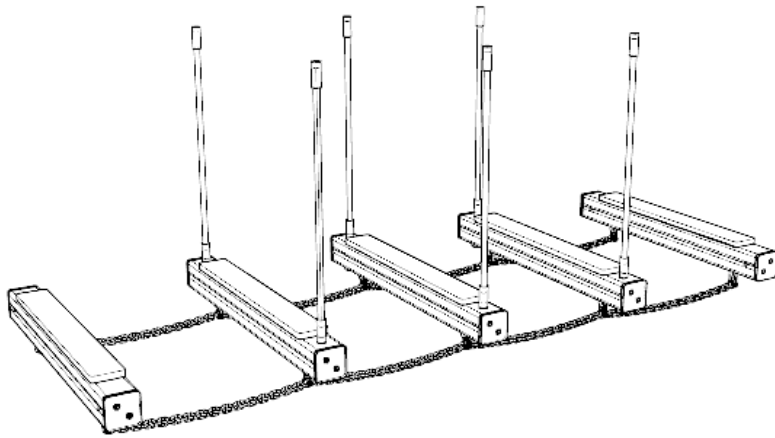
ROPE TRAVERSE 2

x1



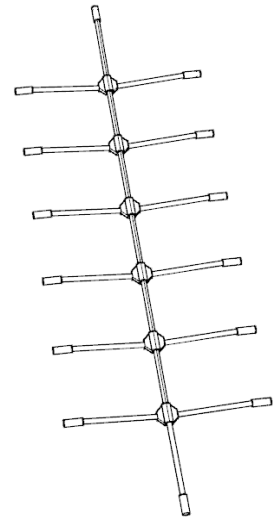
PLAYTEC 'T' SETS

x5



LOG WALK (PRE-ASSEMBLED)

x1



TUNNEL NET

x1



STEPPING LOG (UA4)

x2



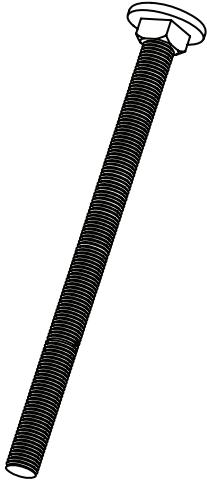
STEPPING LOG (UA5)

x2



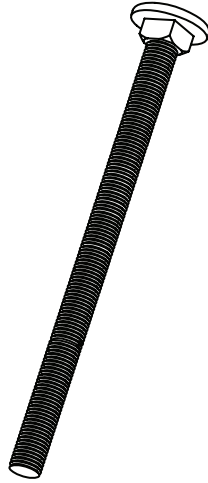
STEPPING LOG (UA6)

x1



x2

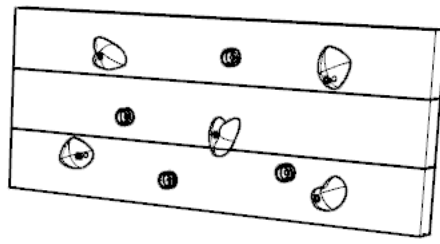
274.M12X110



x2

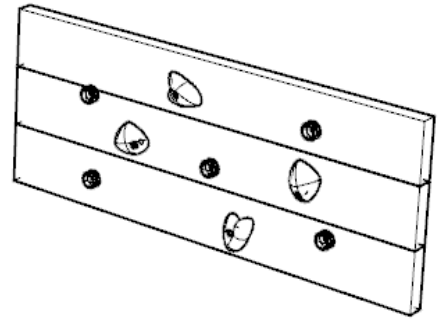
274.M12X230

PARTS REQUIRED



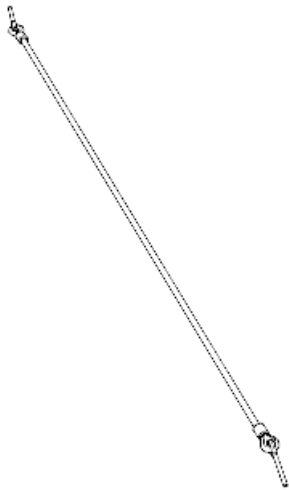
x2

TIMBER CLIMBING PANEL (UPPER)



x2

TIMBER CLIMBING PANEL (LOWER)



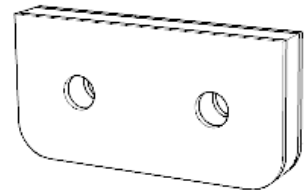
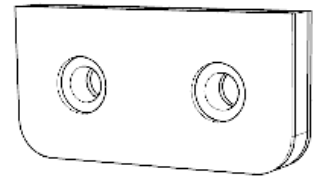
x1

TRAVERSE ROPE 3



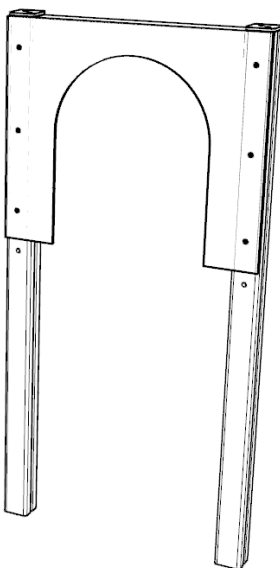
x1

TRAVERSE ROPE 3 CHAIN



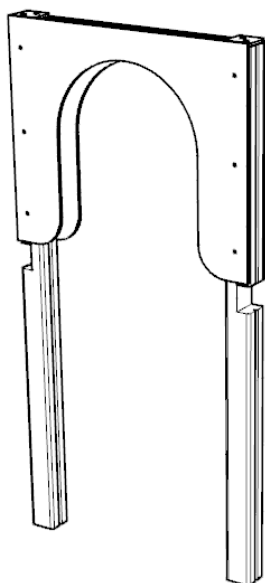
x1 SET

PLAYTEC UNDER BRACKET



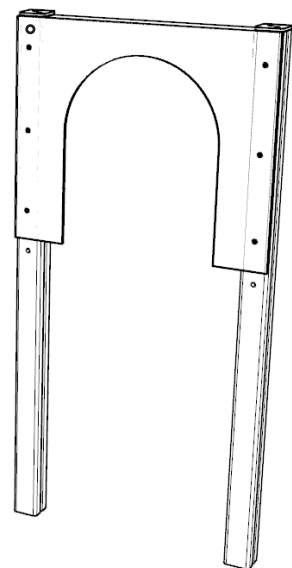
x1

PRE-ASSEMBLED TUNNEL PANEL



x1

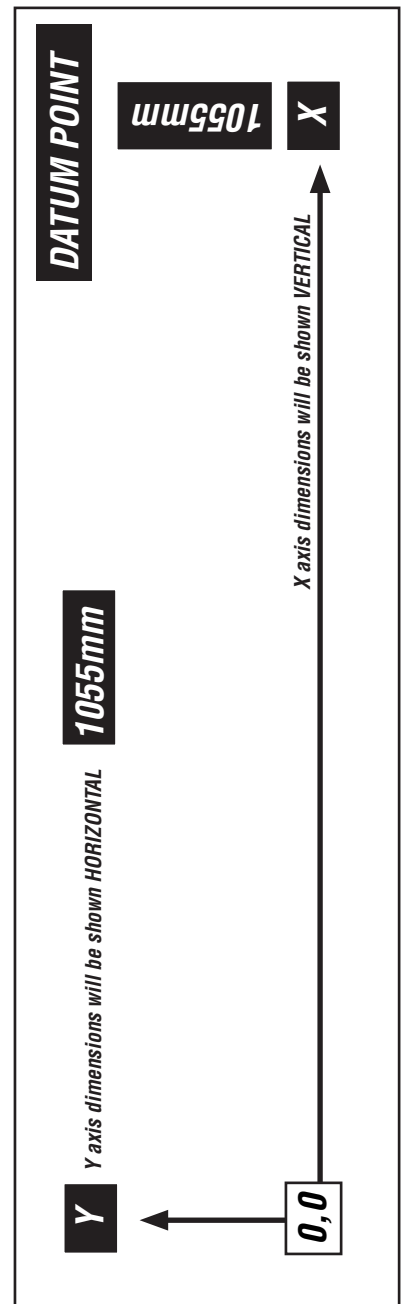
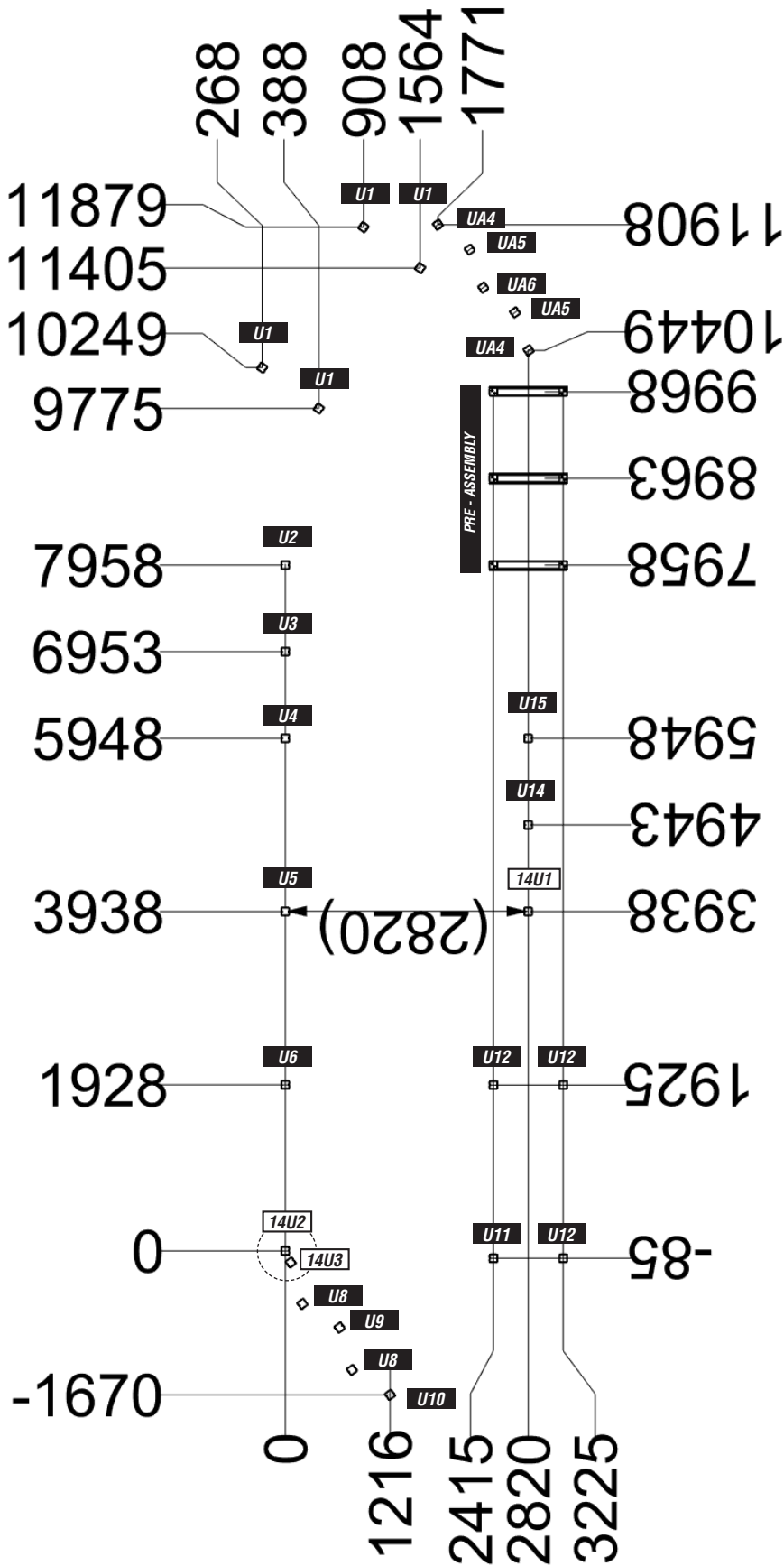
PRE-ASSEMBLED TUNNEL PANEL - DOUBLE SIDED



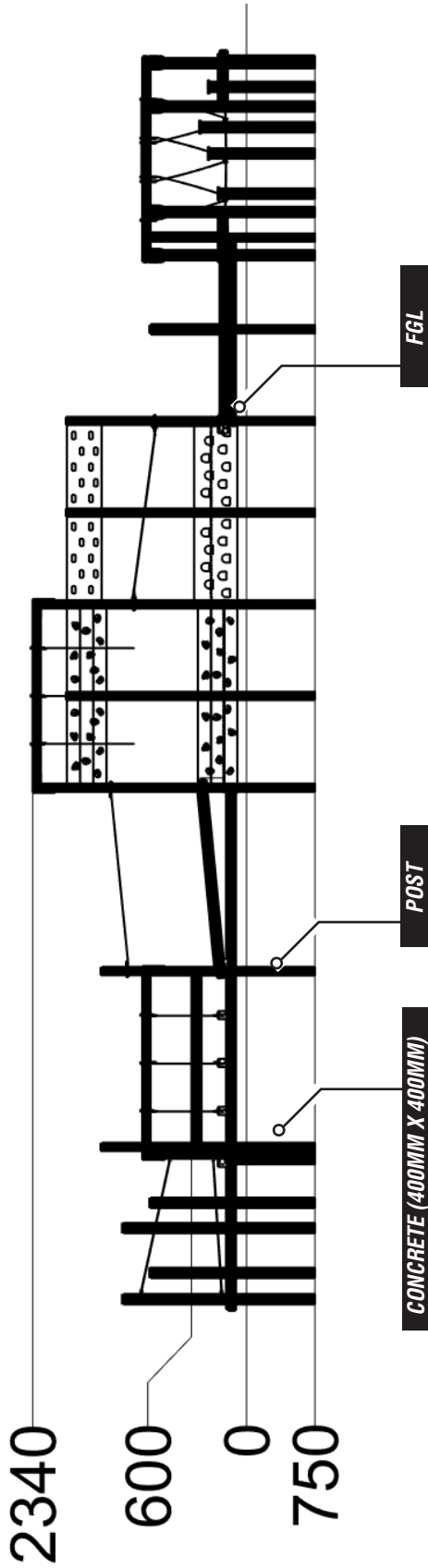
x1

PRE-ASSEMBLED TUNNEL PANEL INC 'CHAIN HOLE'

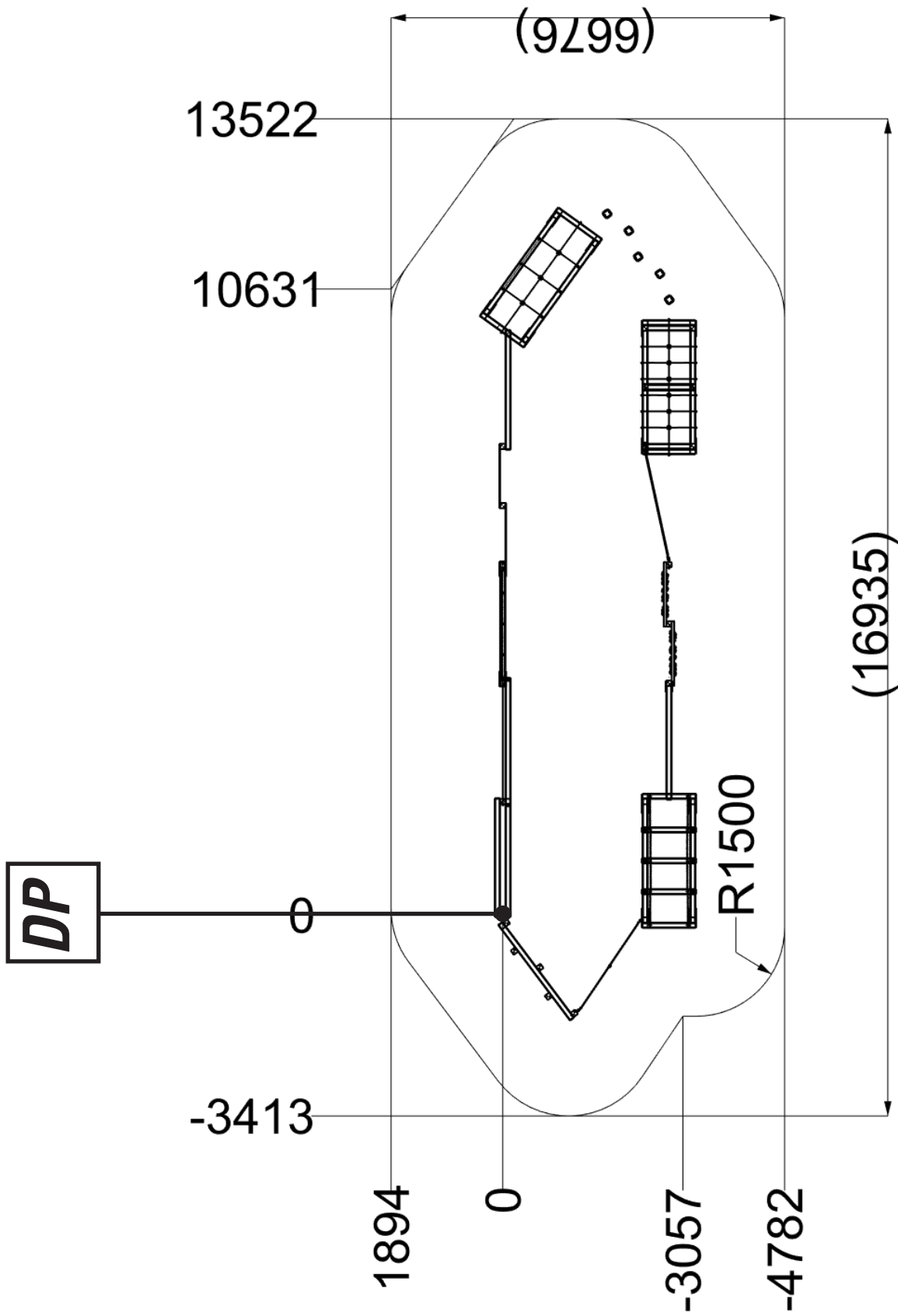
FOUNDATION DETAILS



FOUNDATION DETAILS



SURFACING DETAILS



INSTALLATION INSTRUCTIONS

***INSTRUCTIONS SHOWN ARE FOR THE STANDARD AT16 - BUT THE
GROUNDPLAN HAS BEEN REVISED FOR THE AT14***

***A NUMBER OF STEPS HAVE ALSO BEEN DELETED FOR COMPONENTS
NOT REQUIRED ON THE AT14 (THESE ARE NOTED BELOW)***

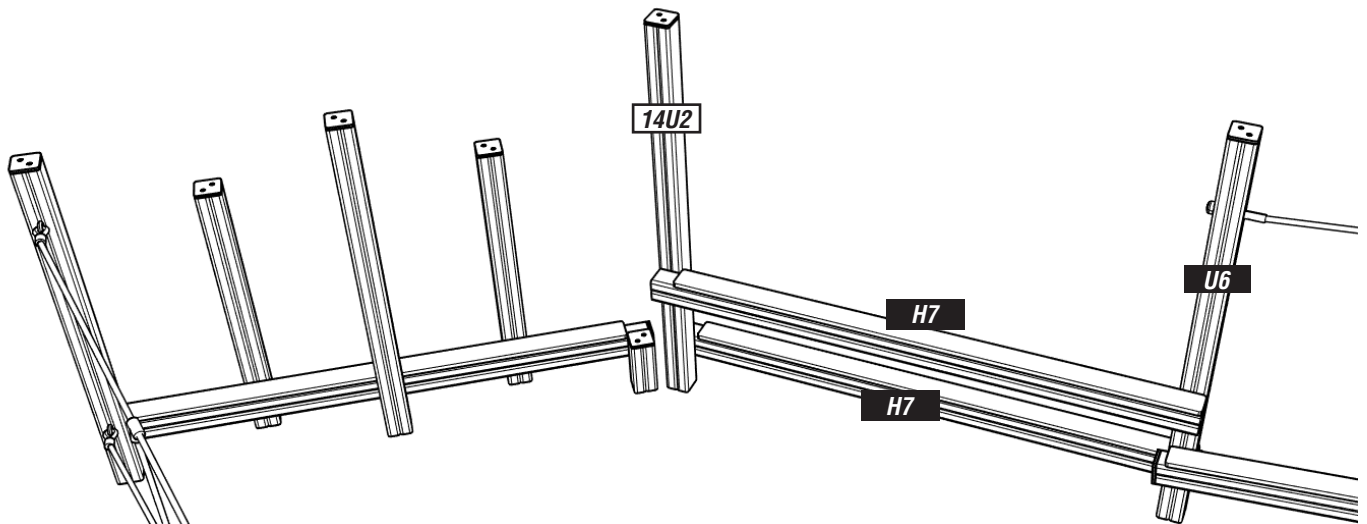
***STEPS 14 - 21
REMOVED FOR TYRE CROSSING***

***STEPS 29 - 30
REMOVED CARGO NET***

INSTALLATION INSTRUCTIONS

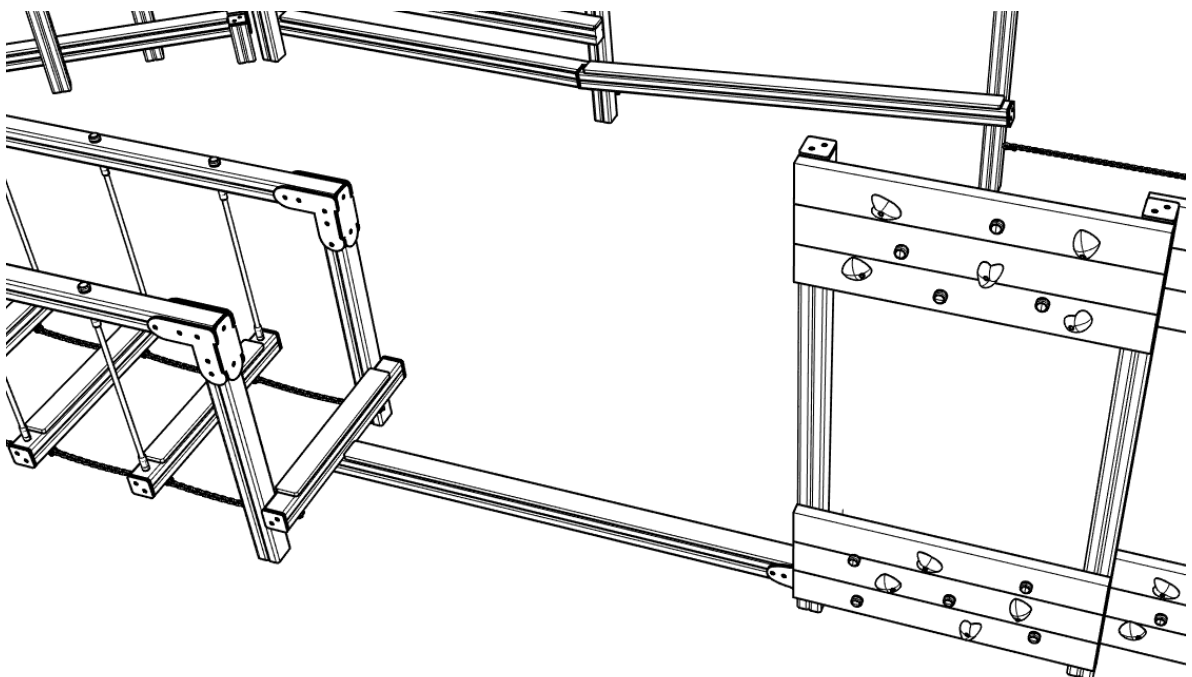
THE ITEMS SHOWN BELOW ARE NOT SHOW / DETAILED IN THE INSTRUCTION. PLEASE ENSURE YOU REFER BACK TO THE AT14 GROUND PLAN

- A** **TYRE CROSSING REMOVED - ATTACHED ADDITIONAL H7 TIMBER**
THE 14U2 & U6 TIMBERS WILL NEED TO BE DRILLED FOR THE UPPER TIMBER



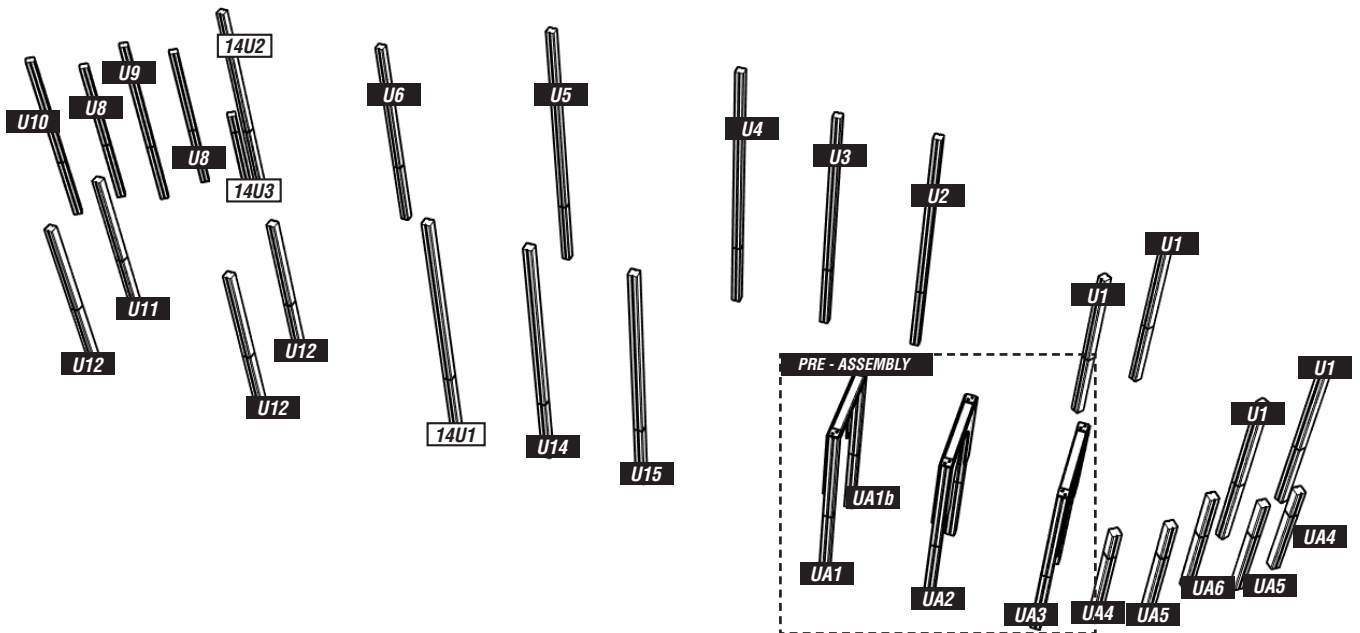
ENSURE A GAP OF 230 BETWEEN TIMBERS / HEXA GRIP
***** MUST BE BELOW 600MM *****

- B** **CARGO NET REMOVED - ATTACH BALANCE BEAM TO THE TRAVERSE WALL**
PLEASE ENSURE THE UNDER BRACKET IS USED / INSTALLED



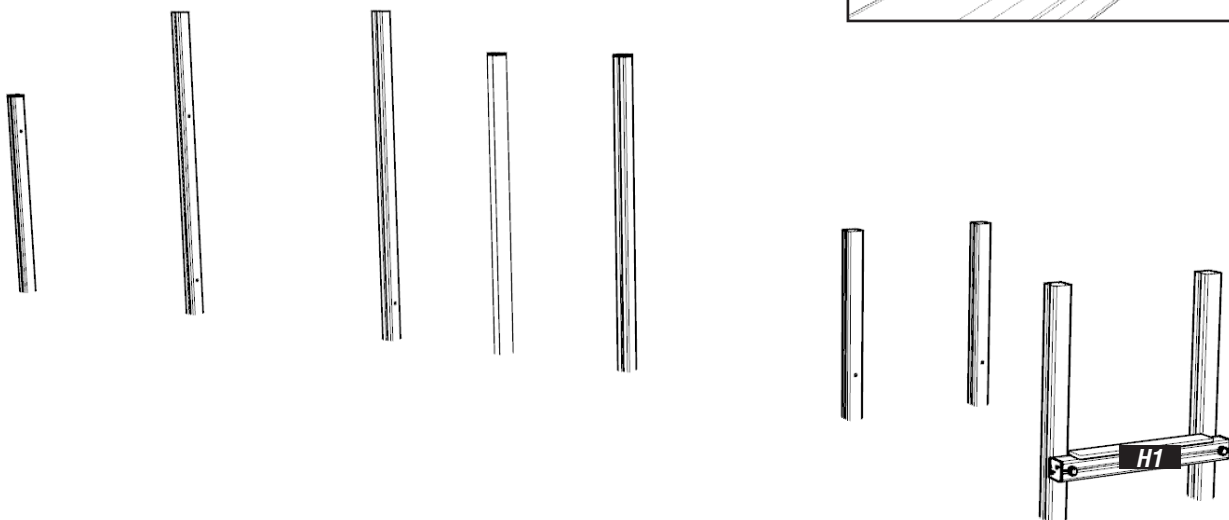
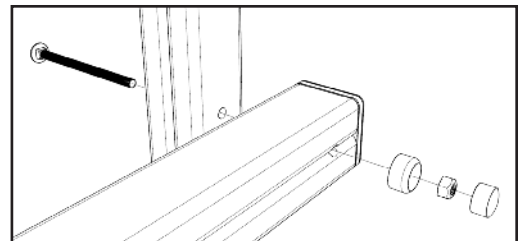
INSTALLATION INSTRUCTIONS

1 POSITION THE UPRIGHT TIMBERS FOLLOWING FOUNDATION DETAILS



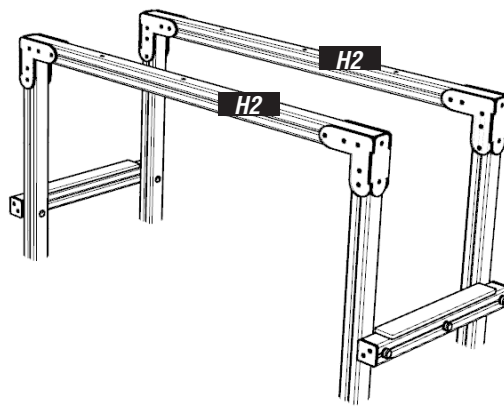
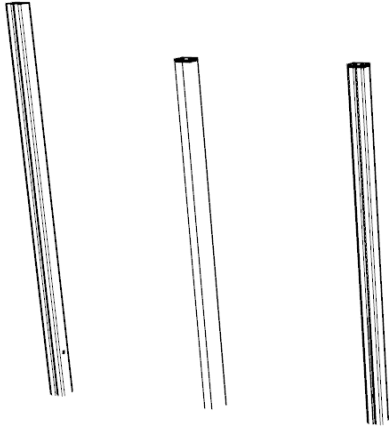
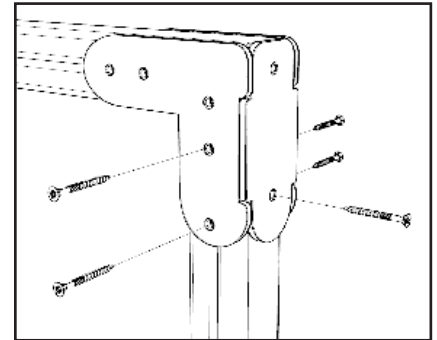
*PLEASE NOTE ALL H TIMBERS ARE PRE-ASSEMBLED WITH PLAYTEC L'S AND/OR HEXBOARD (AS SHOWN ABOVE)

2 ATTACH TIMBER H1 USING 274.M12X200 / 656.M12 / 102003-01, SECURE HEXBOARD WITH M8X80MM WOOD SCREWS

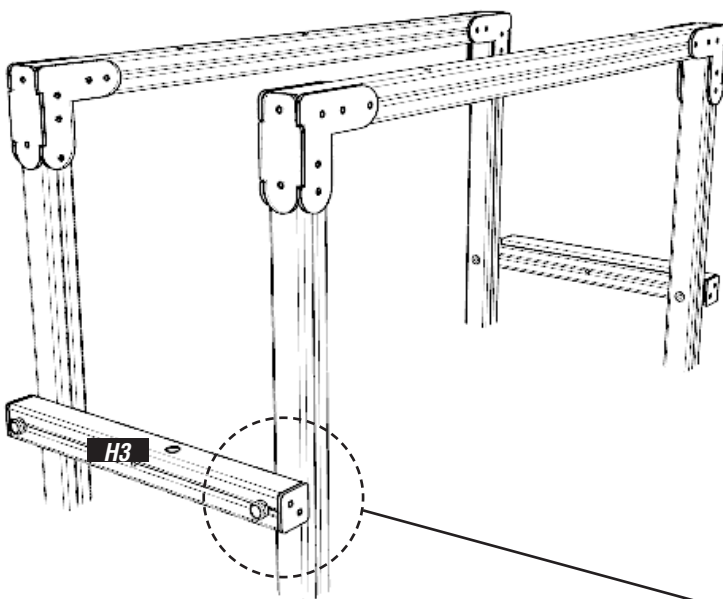


INSTALLATION INSTRUCTIONS

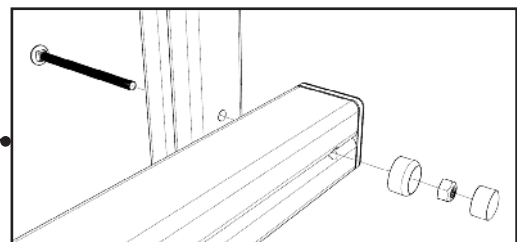
3 ATTACH H2 TIMBERS USING PLAYTEC L'S
USING M8X80MM WOOD SCREWS, TAKE CARE THAT SCREWS DO NOT 'CROSS'



4 ATTACH TIMBER H3
USING 274.M12X200 / 656.M12 / 102003-01



NOTES:
H3 HEXBOARD SLAT WILL NOT BE ATTACHED UNTIL STEP 7

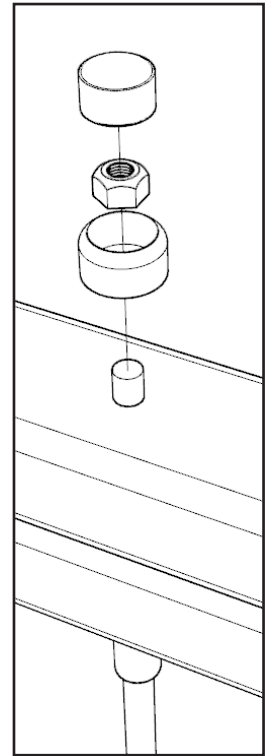
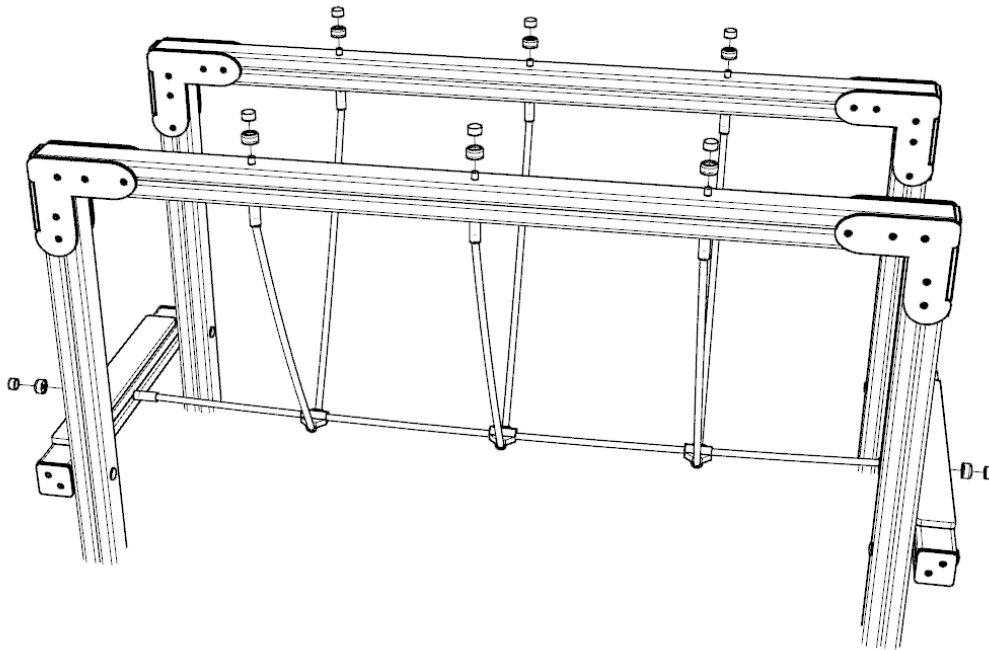


INSTALLATION INSTRUCTIONS

5

ATTACH ROPE BRIDGE

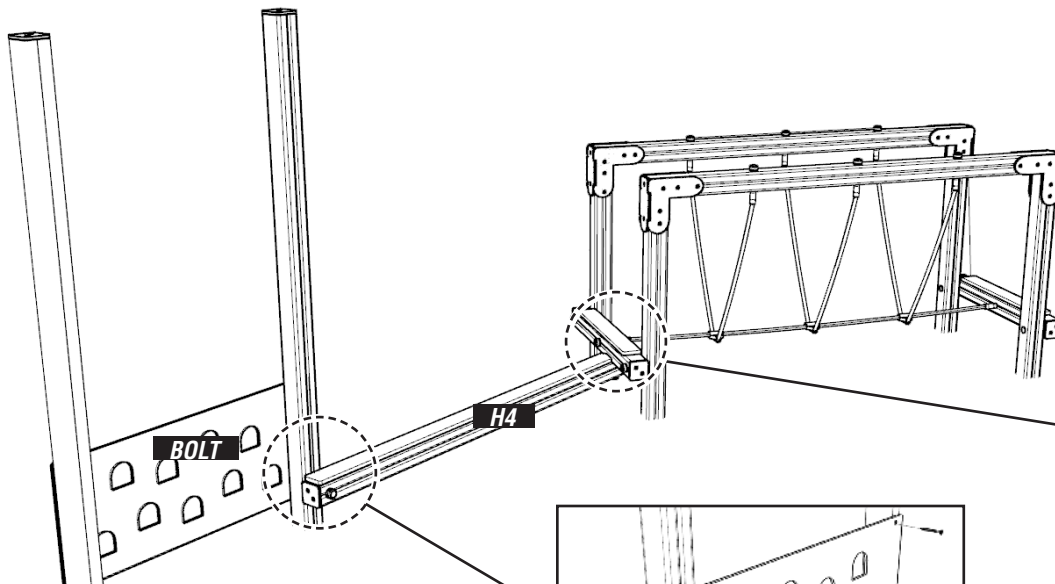
USING 656.M12 / 102003-01



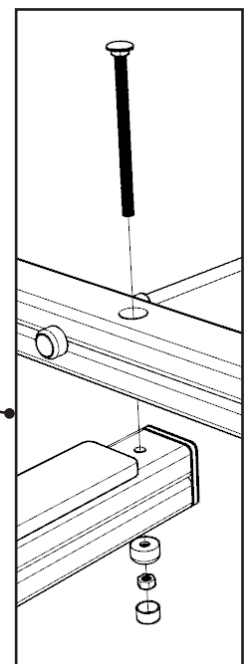
6

ATTACH TIMBER H4 AND LOWER PLAYTEC CLIMBING PANEL SHOWN

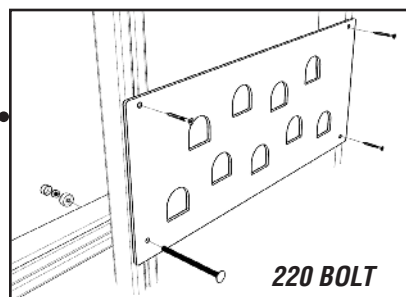
USING 274.M12X180 & 220 / 656.M12 / 102003-01 AND M8X80MM WOOD SCREWS



180 BOLT



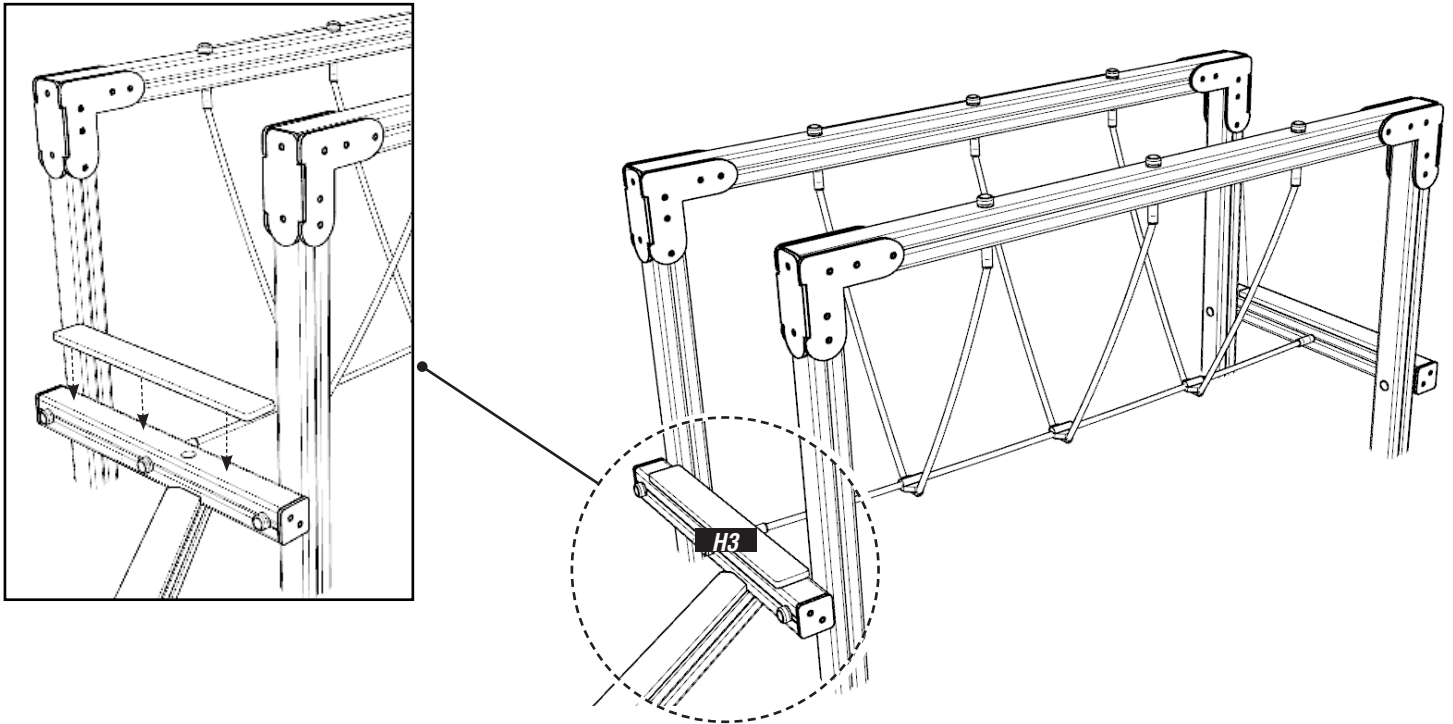
NOTES:
ATTACH PANEL ON OPPOSITE FACE TO BEAM
ONE LOWER PLAYTEC PANEL HAS HOLE DRILLED FOR BOLT (SEE CNC)



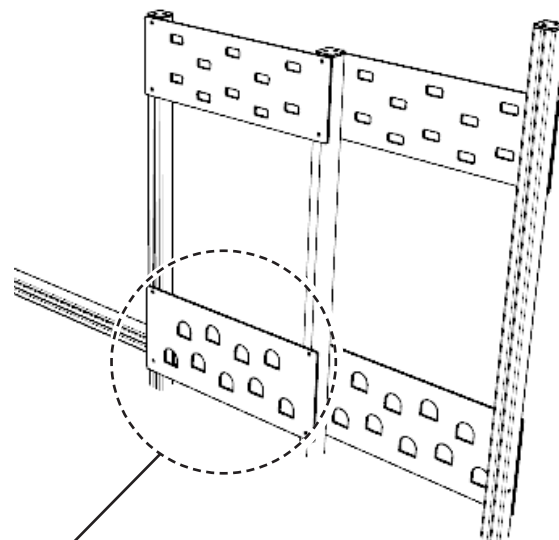
220 BOLT

INSTALLATION INSTRUCTIONS

7 ATTACH H3 HEXBOARD SLAT USING 8X80MM WOOD SCREWS TO COVER COUNTERSUNK BOLT

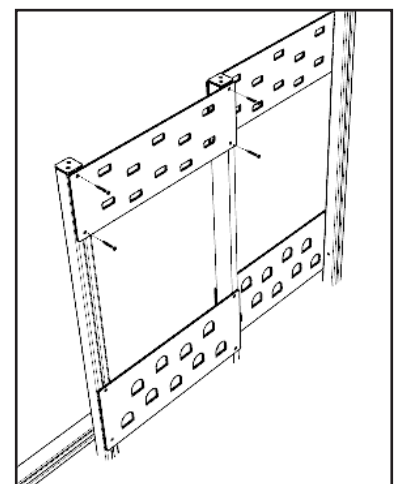


8 ATTACH REMAINING 3 PLAYTEC CLIMBING PANELS USING 8X80MM WOOD SCREWS



NOTES:
ENSURE SECOND SET OF PANELS
ARE ON OPPOSITE FACE TO FIRST

NOTES:
THIS PANEL IS ALREADY ATTACHED AS
PER STEP 6

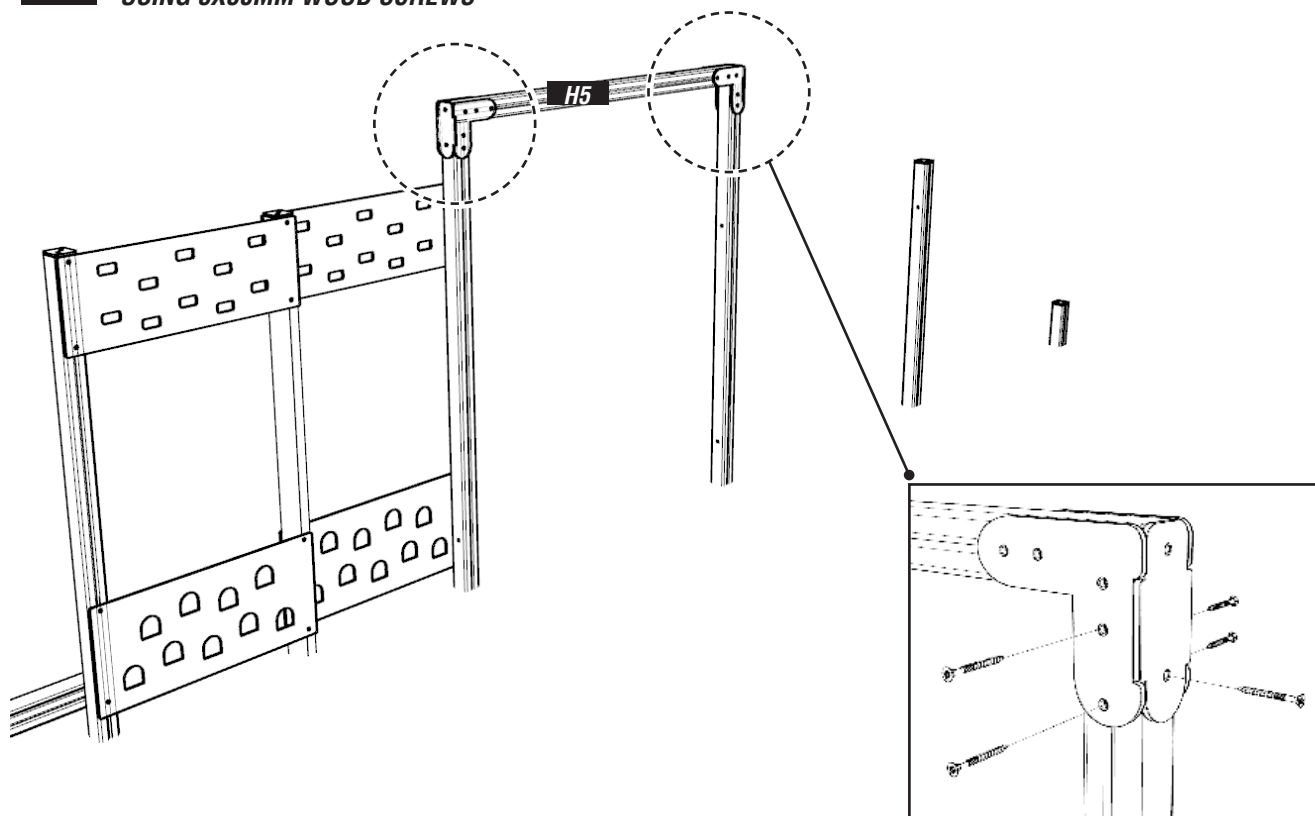


INSTALLATION INSTRUCTIONS

9

ATTACH TIMBER H5 USING PLAYTEC L'S

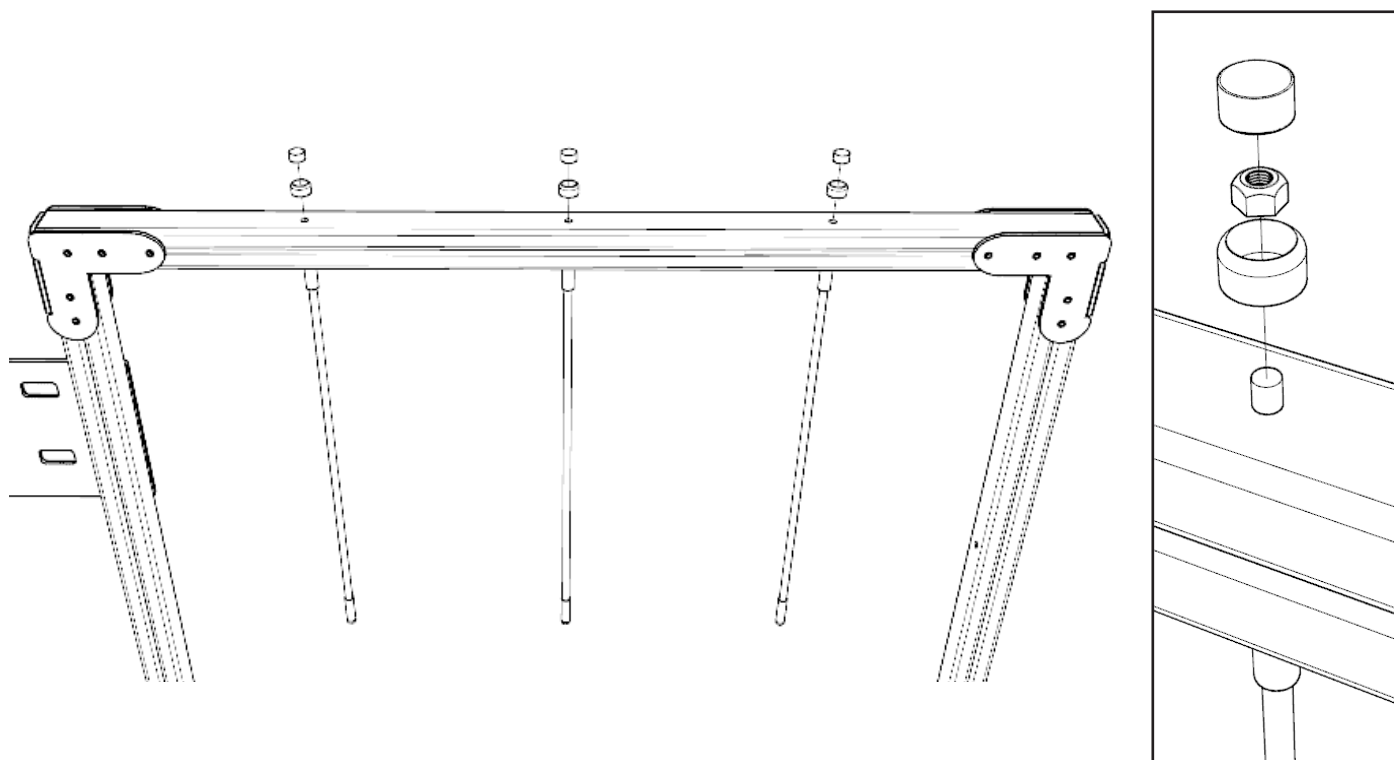
USING 8X80MM WOOD SCREWS



10

ATTACH SWINGING ROPES TO TIMBER H5

USING 656.M12 / 102003-01

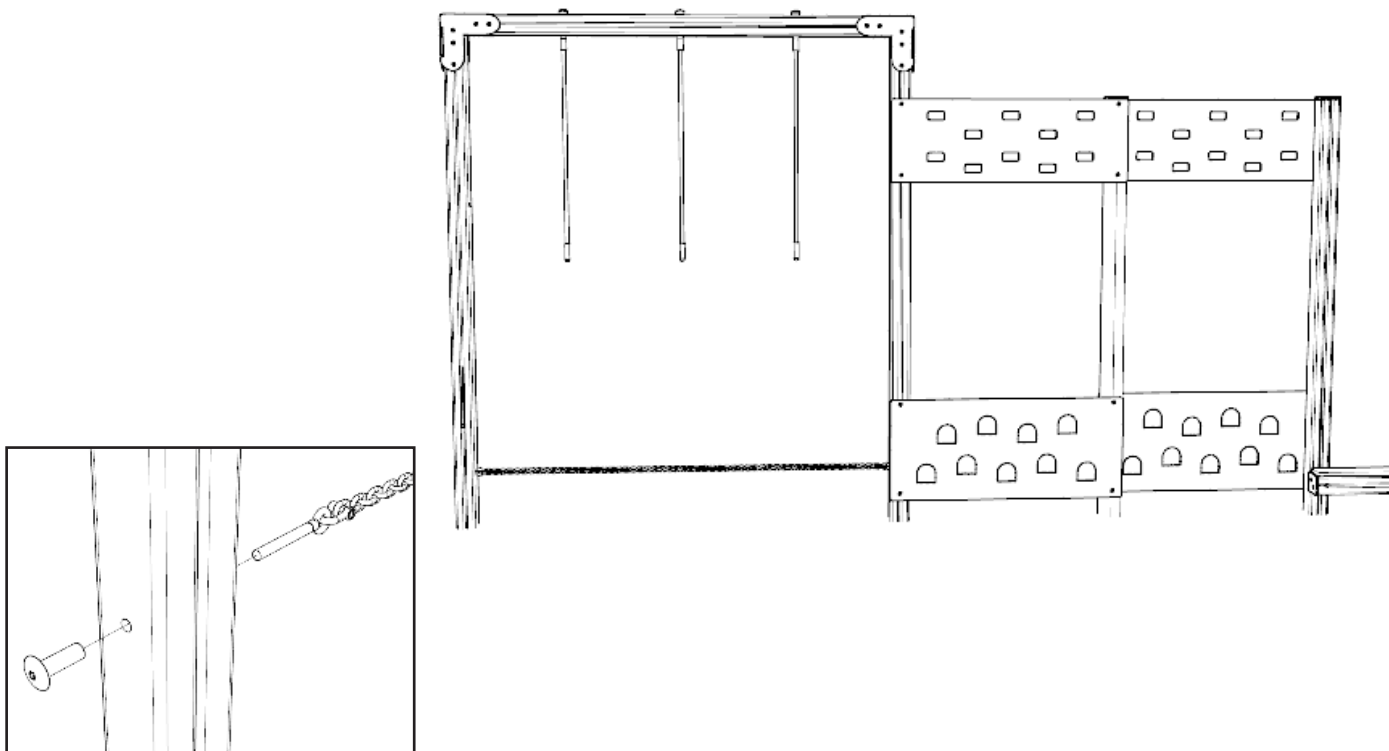


INSTALLATION INSTRUCTIONS

11

ATTACH SWINGING ROPE CHAIN

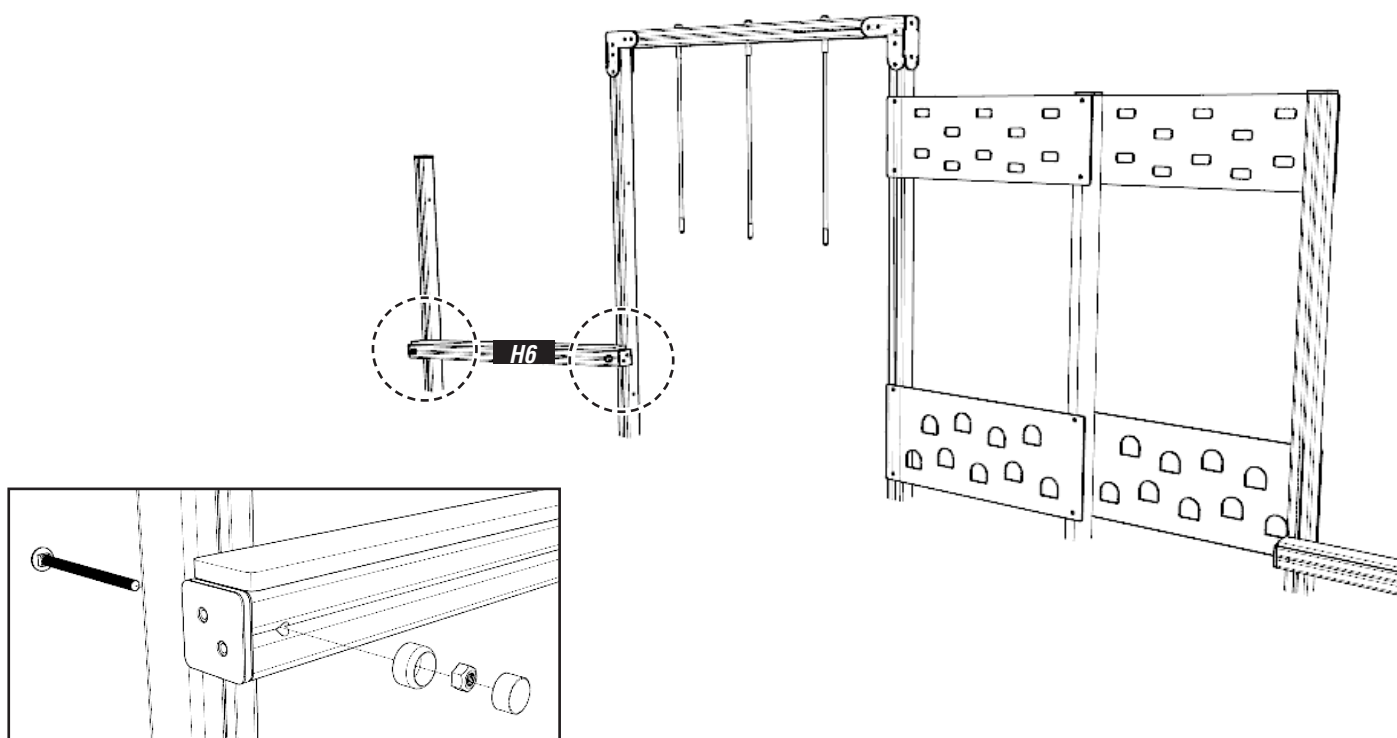
USING M12 X 50MM SOCKET NUT, D - SHACKLE AND EYEBOLT SHOULD BE PRE-ATTACHED TO CHAIN



12

ATTACH TIMBER H6

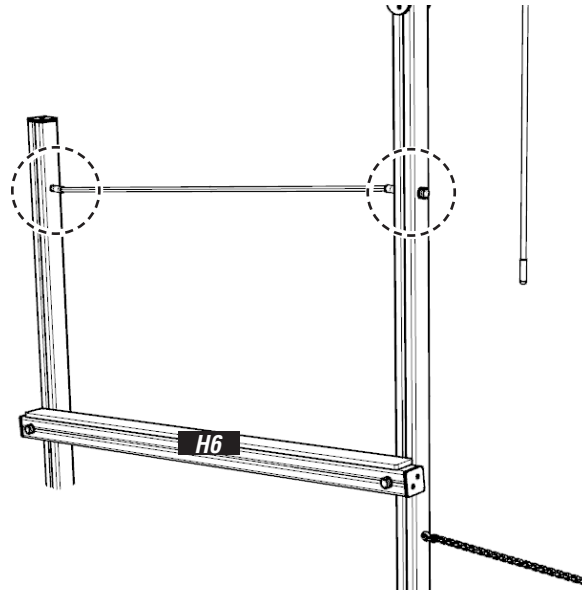
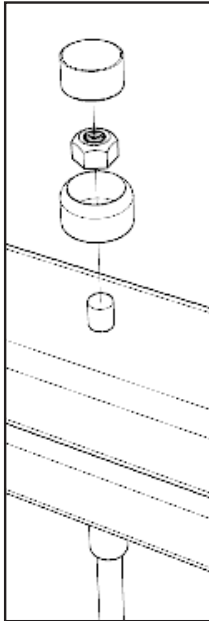
USING 274.M12X200 / 656.M12 / 102003-01



INSTALLATION INSTRUCTIONS

13

ATTACH TRAVERSE ROPE ABOVE TIMBER H6
USING 656.M12 / 102003-01

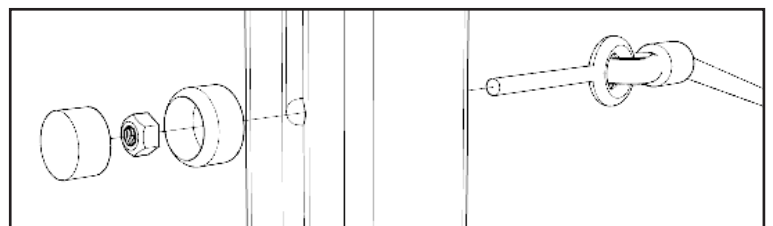
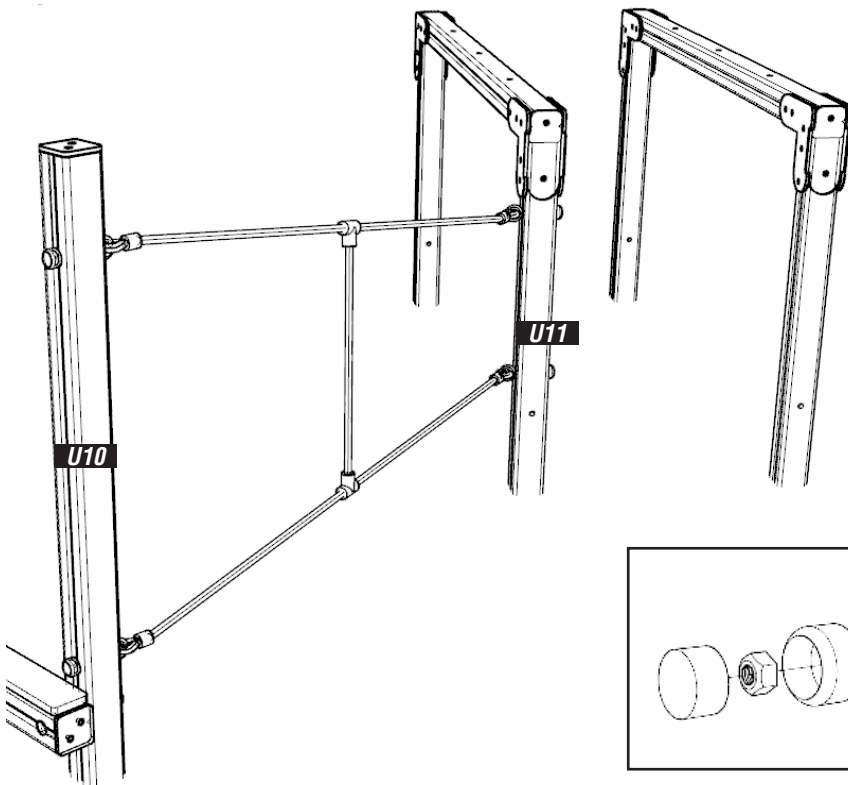


STEPS 14 - 21

REMOVED FOR TYRE CROSSING

22

ATTACH ROPE TRAVERSE TO TIMBERS U10 & U11 AS SHOWN
USING 656.M10 / 102003-01



INSTALLATION INSTRUCTIONS

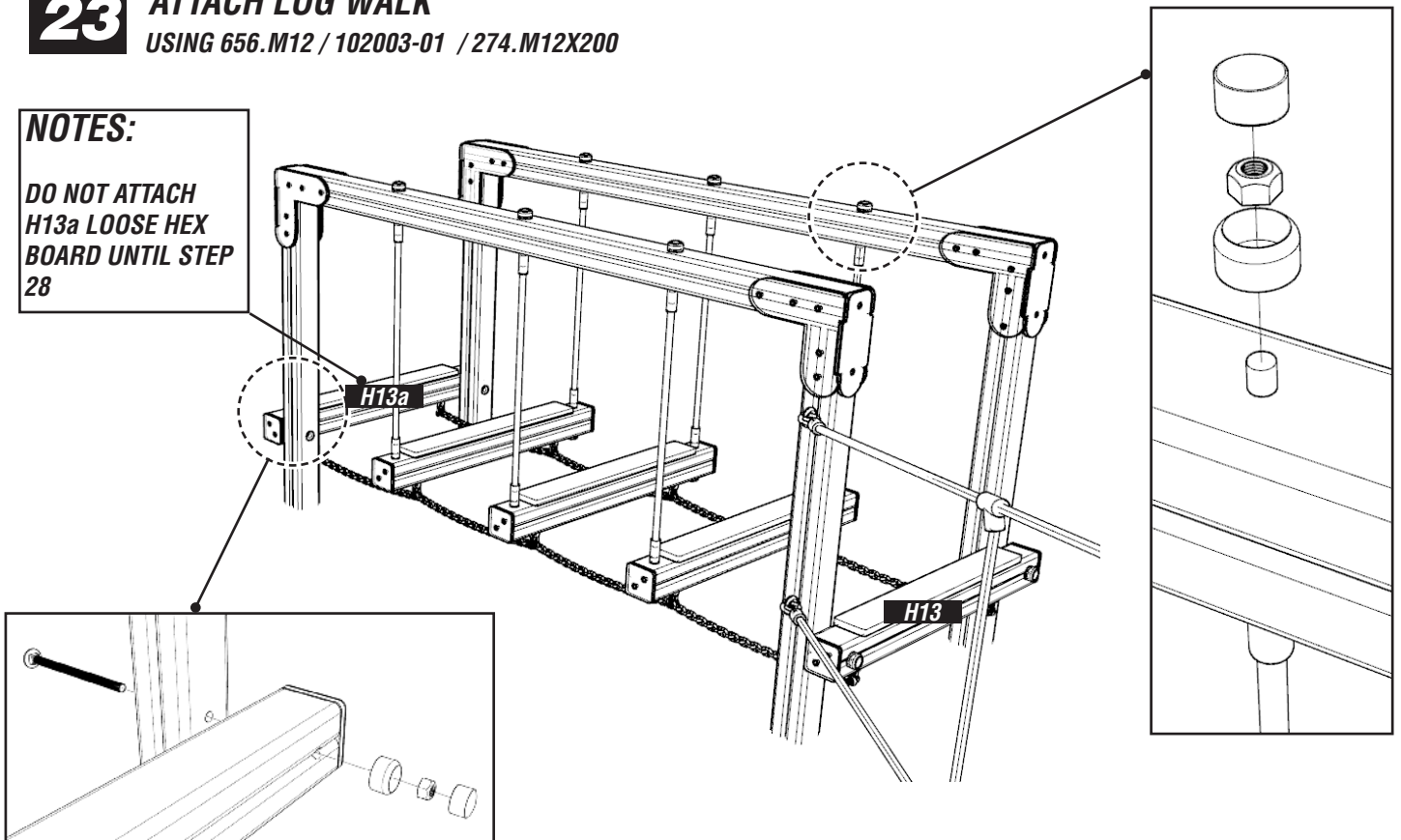
23

ATTACH LOG WALK

USING 656.M12 / 102003-01 / 274.M12X200

NOTES:

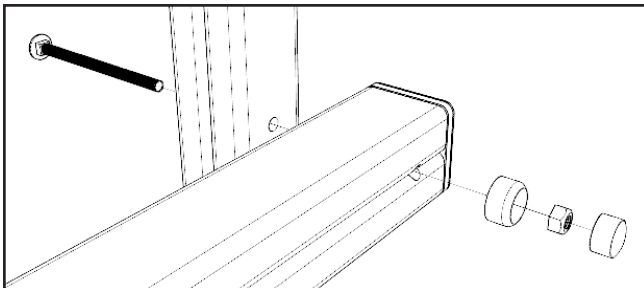
DO NOT ATTACH
H13a LOOSE HEX
BOARD UNTIL STEP
28



24

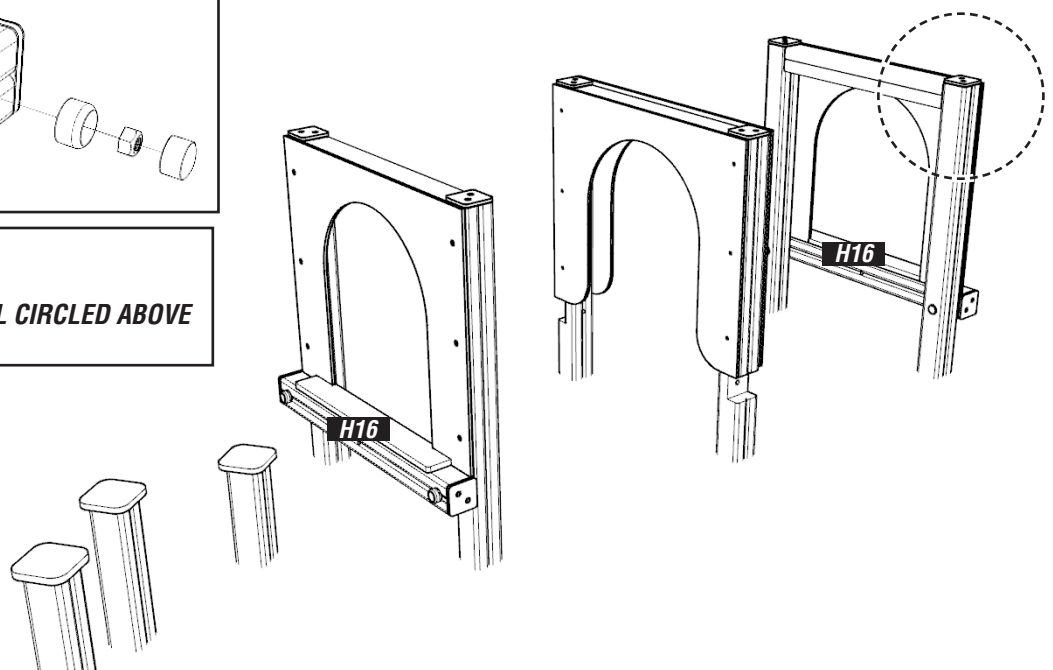
ATTACH H16 TIMBER

USING 274.M12X180 / 656.M12 / 102003-01



NOTES:

ENSURE THE PRE-ASSEMBLED PANEL CIRCLED ABOVE
INC THE LARGER 'CHAIN HOLE'

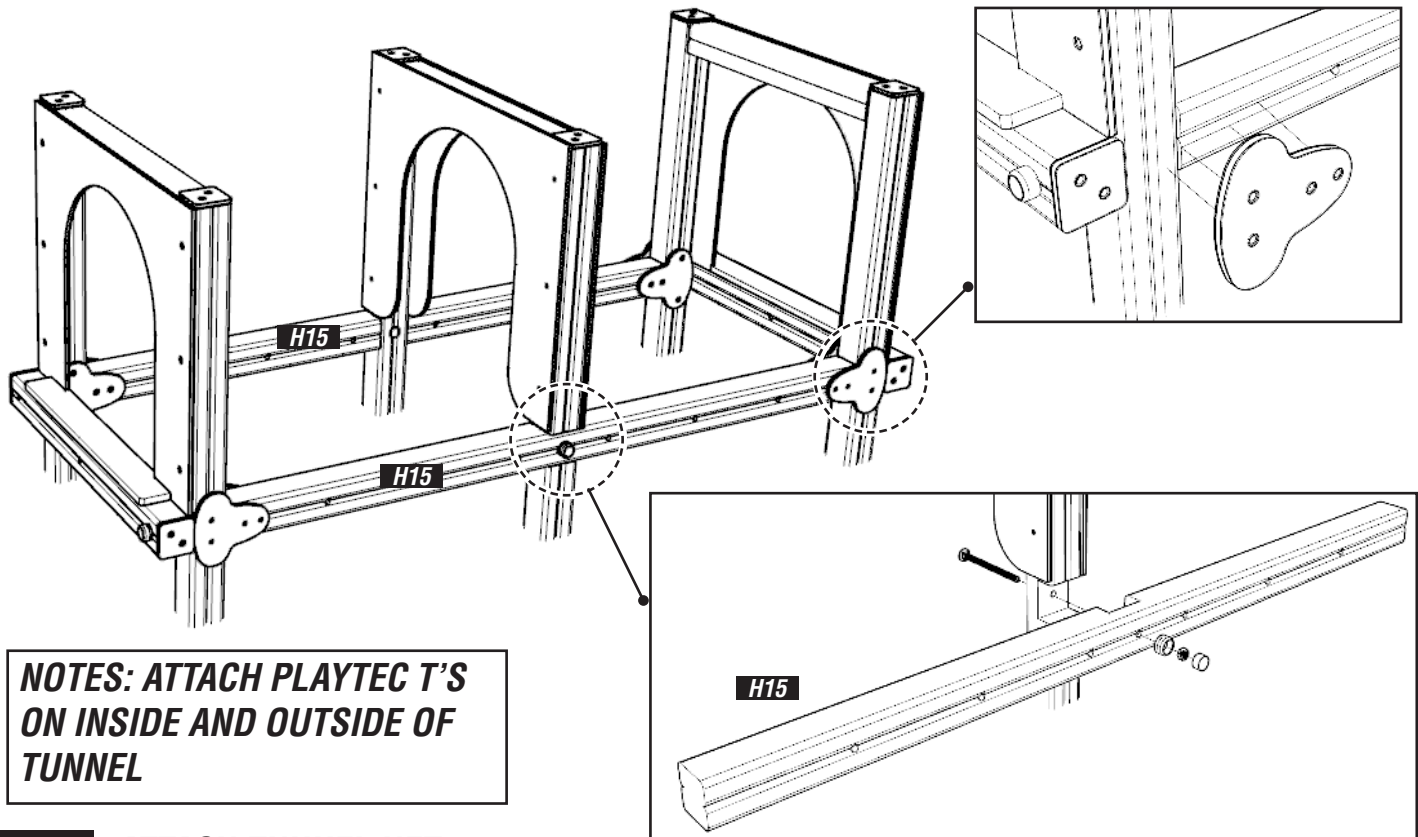


INSTALLATION INSTRUCTIONS

25

ATTACH H15 TIMBERS

USING PLAYTEC L'S / M8X80MM WOOD SCREWS / 274.M12X200 / 656.M12 / 102003-01

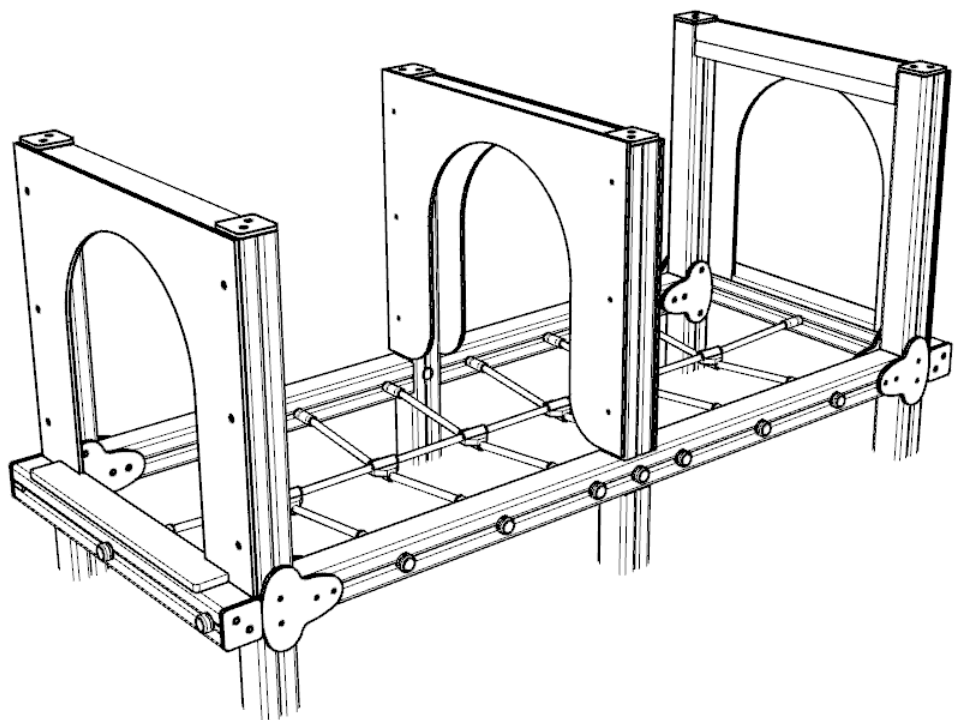
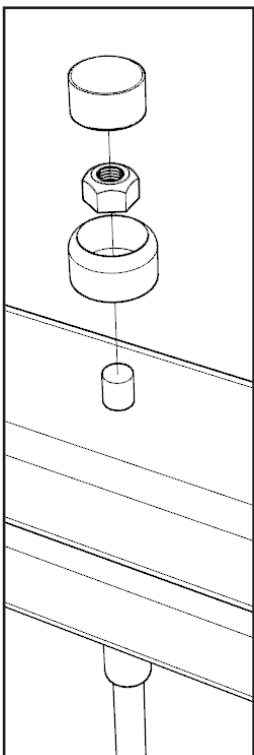


NOTES: ATTACH PLAYTEC T'S ON INSIDE AND OUTSIDE OF TUNNEL

26

ATTACH TUNNEL NET

USING 656.M12 / 102003-01

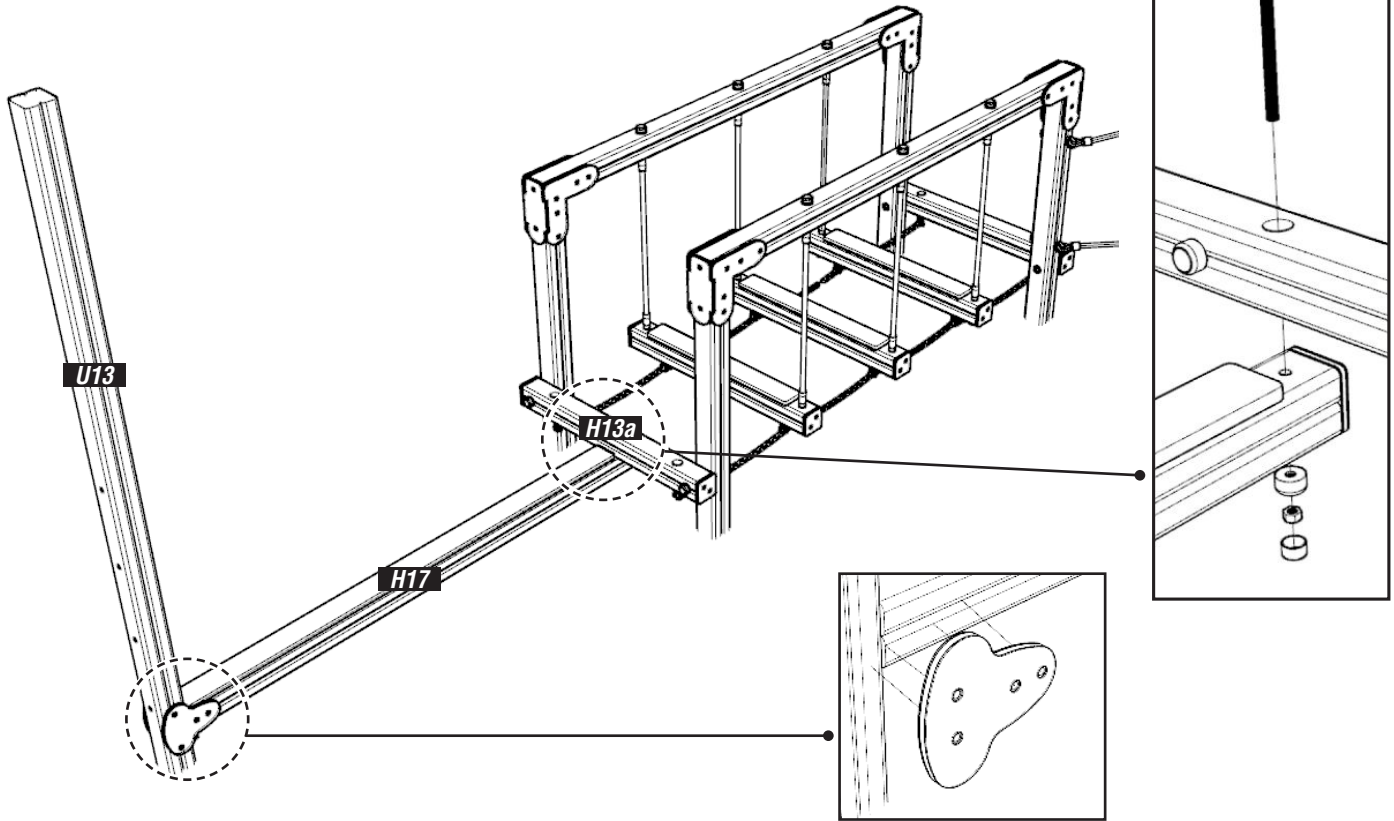


INSTALLATION INSTRUCTIONS

27

ATTACH TIMBER H17

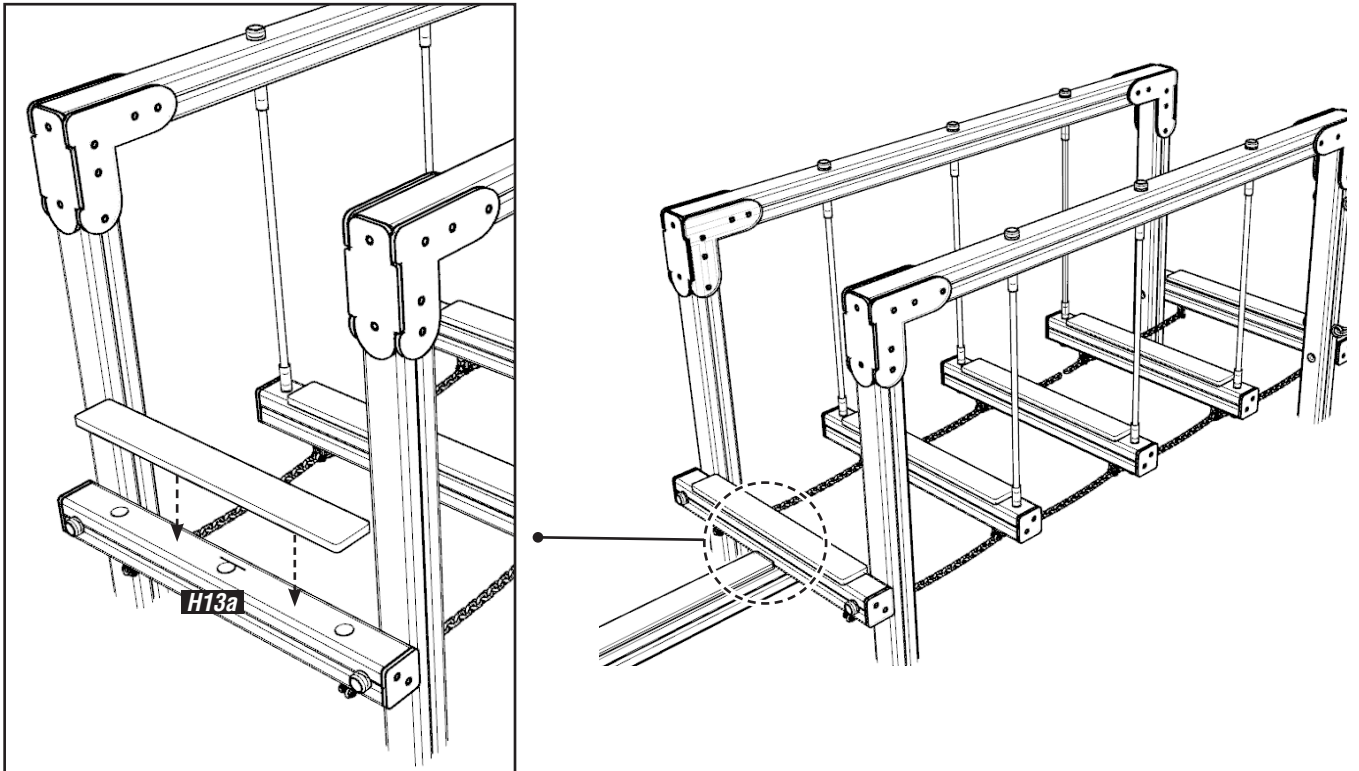
USING PLAYTEC L'S / M8X80MM WOOD SCREWS / 274.M12X180 / 656.M12 / 102003-01



28

ATTACH H13a TIMBER HEXBOARD SLATS

USING M8X80MM WOOD SCREWS



INSTALLATION INSTRUCTIONS

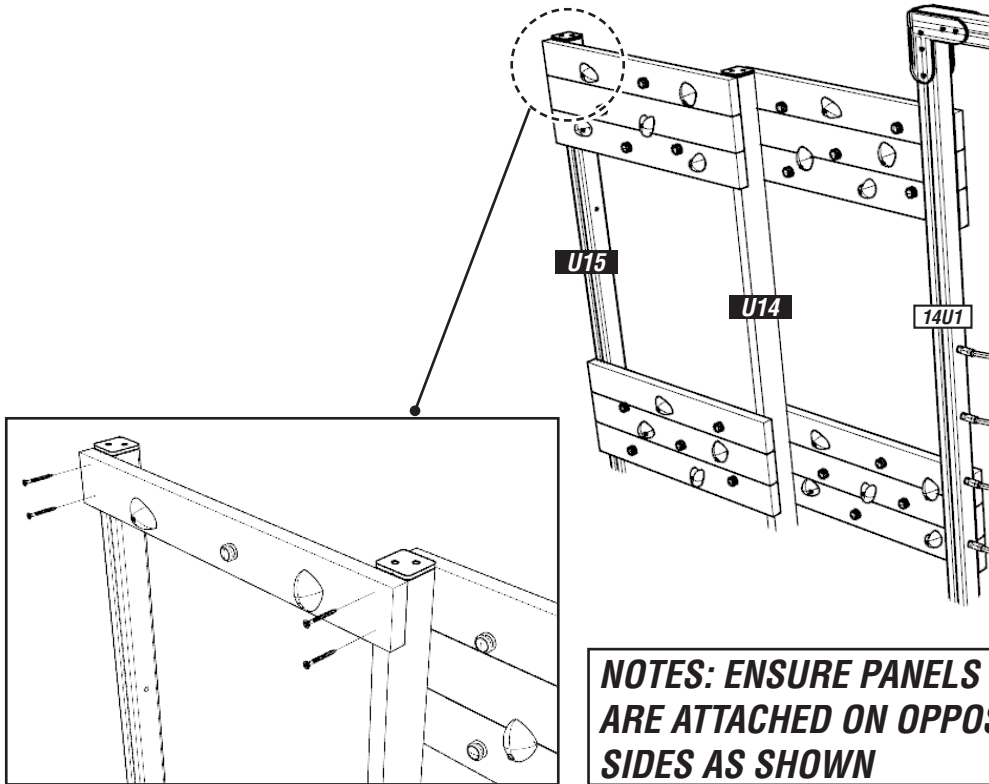
STEPS 29 - 30 ***REMOVED CARGO NET***

INSTALLATION INSTRUCTIONS

31

ATTACH TIMBER CLIMBING PANELS

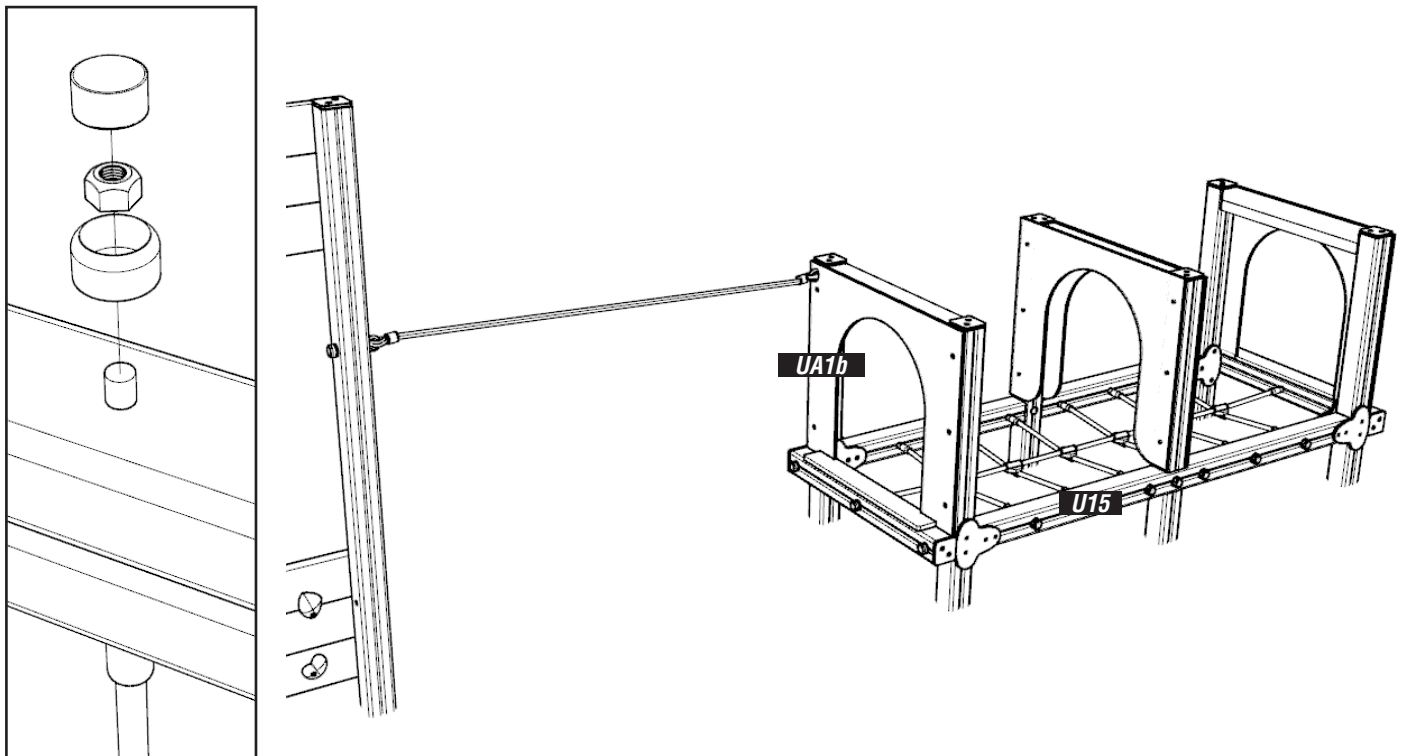
USING M8X80MM WOOD SCREWS, ENSURE SCREWS DO NOT "CROSS"



32

ATTACH TRAVERSE ROPE 3

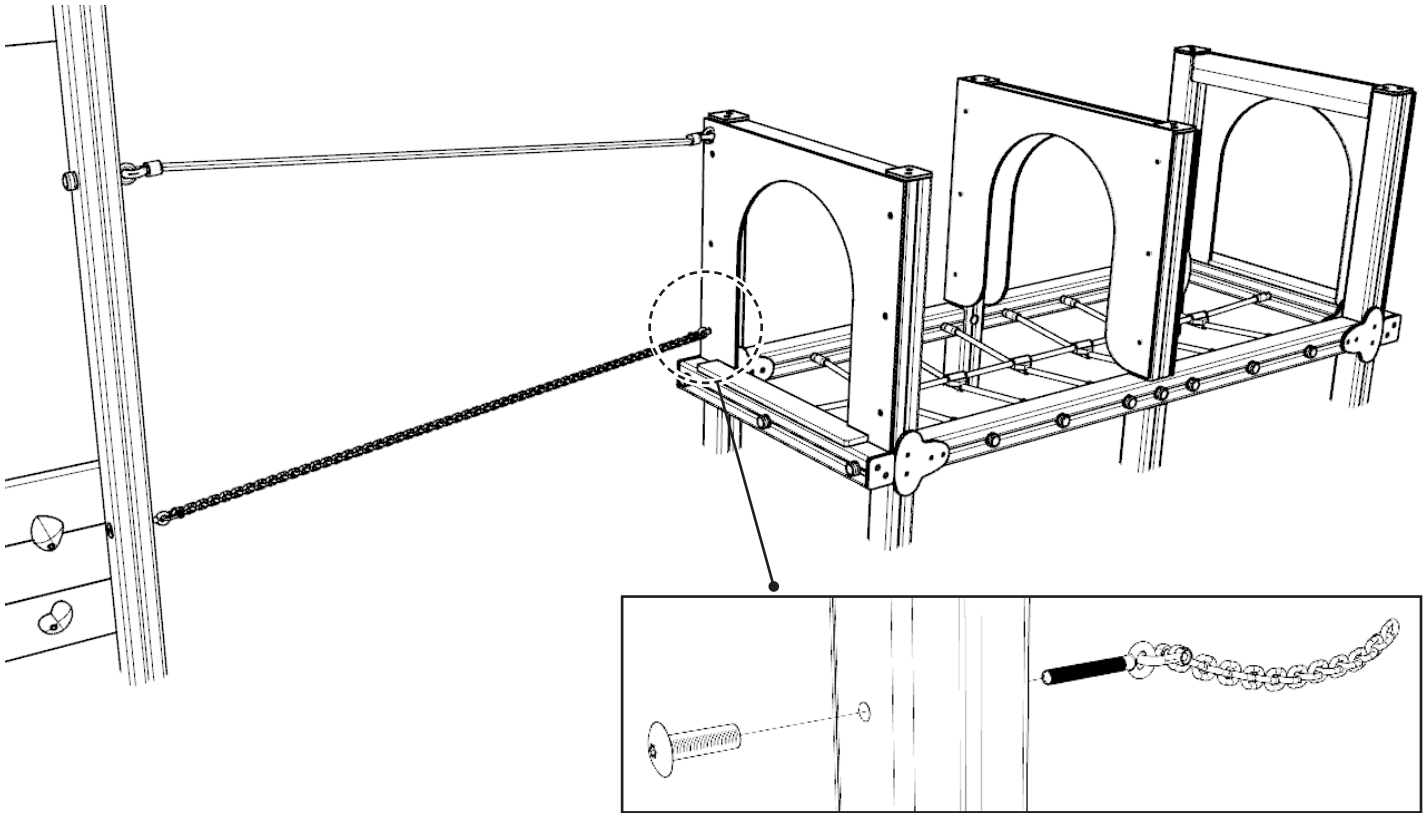
USING 656.M10 / 102003-01



INSTALLATION INSTRUCTIONS

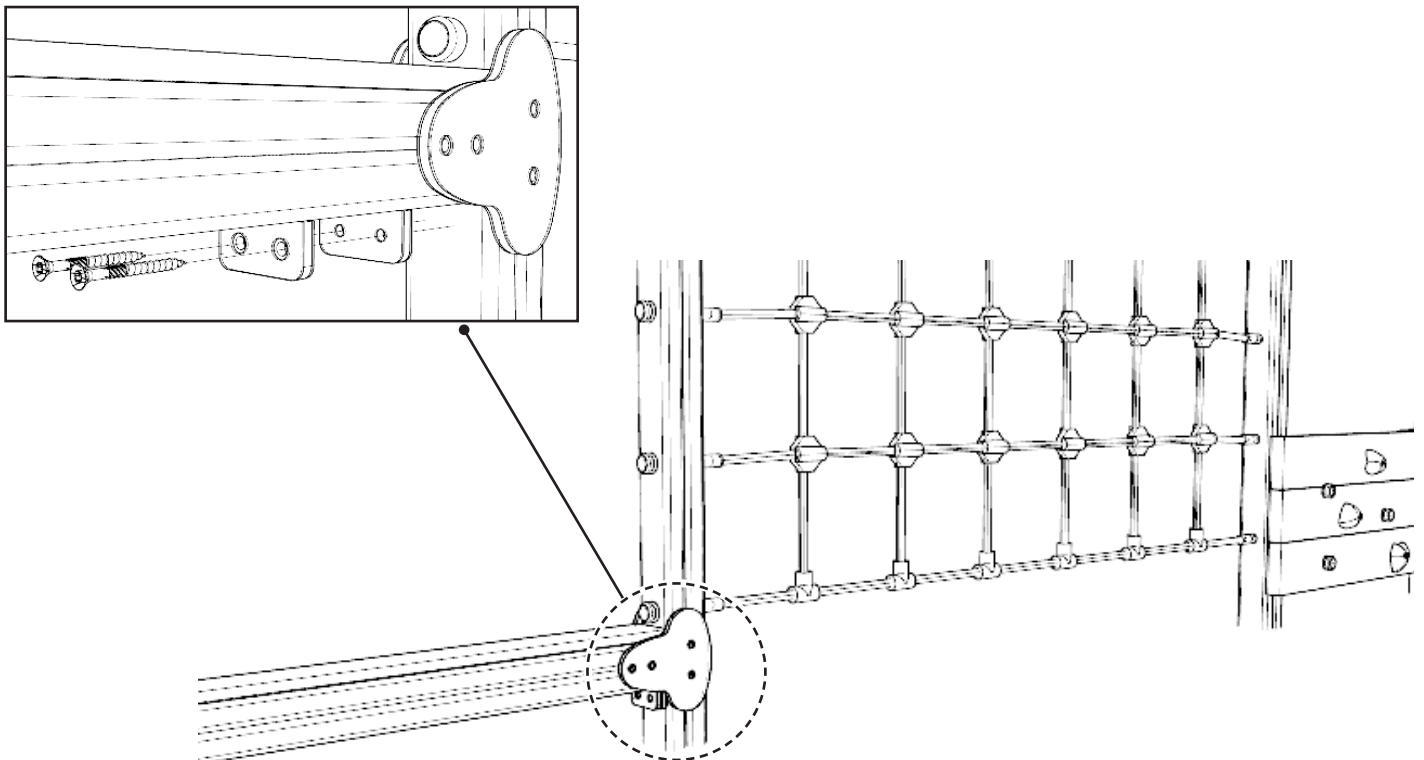
33

ATTACH TRAVERSE ROPE CHAIN
USING M12 X 50MM SOCKET NUT ON EYEBOLT CHAINS



34

ATTACH H17 UNDER BRACKETS
USING M8X80MM WOOD SCREWS



ADDITIONAL DIMENSIONS

*