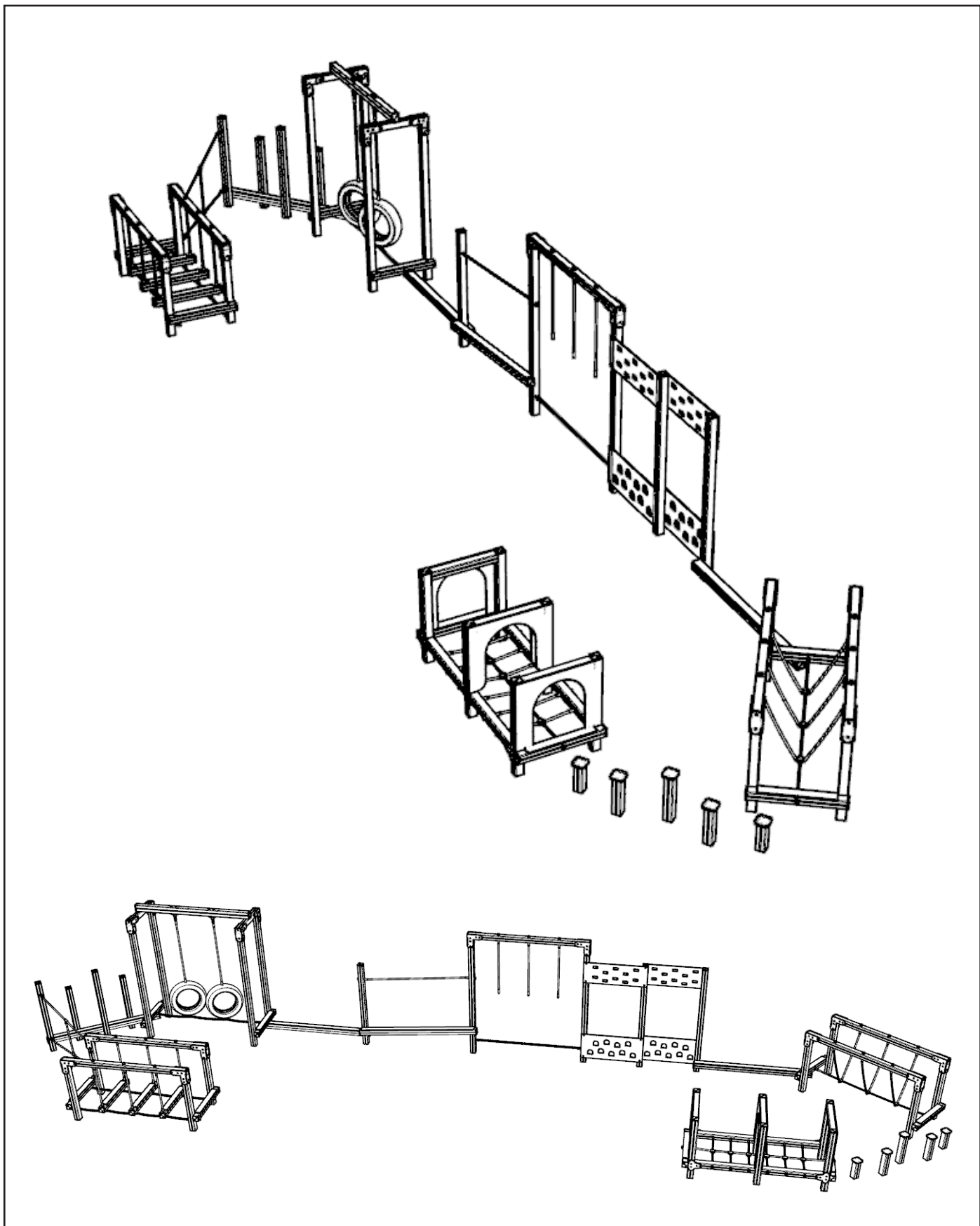


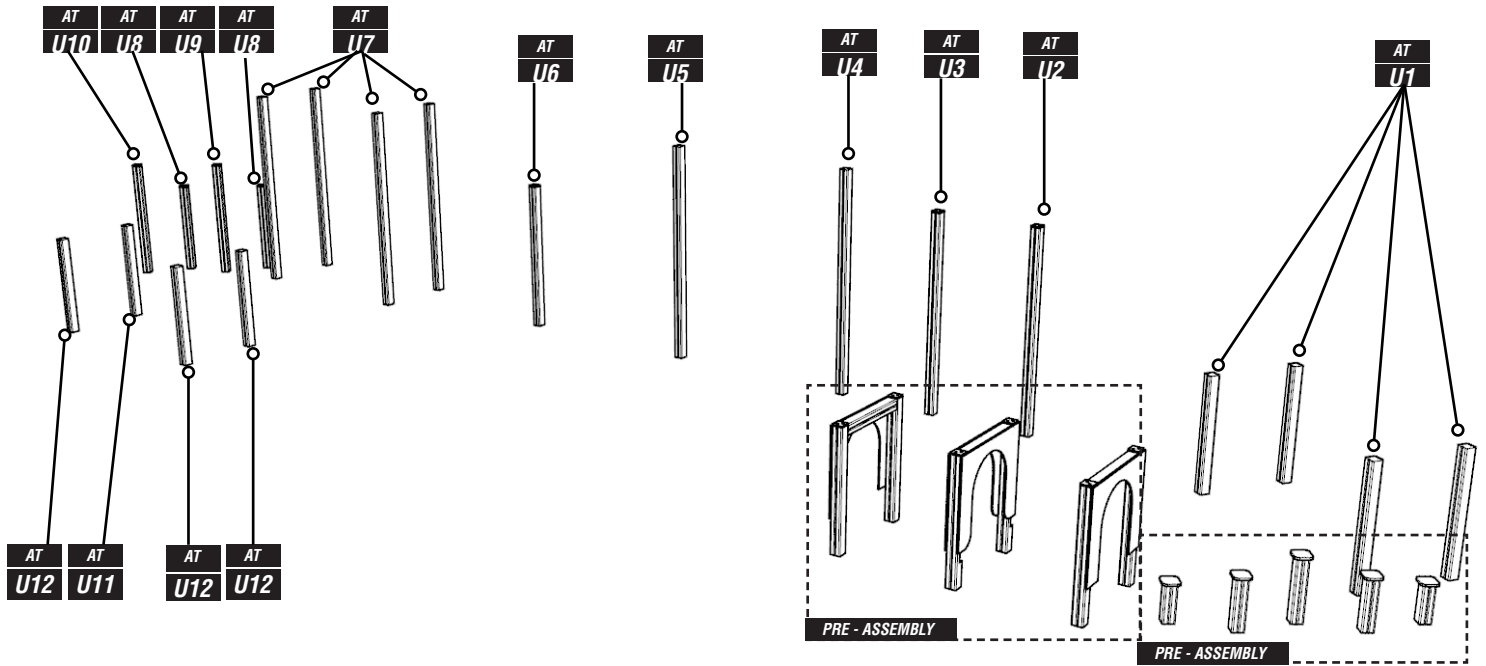
AT12 - ADVENTURE TRAIL 12

Installation Instructions

creative
play



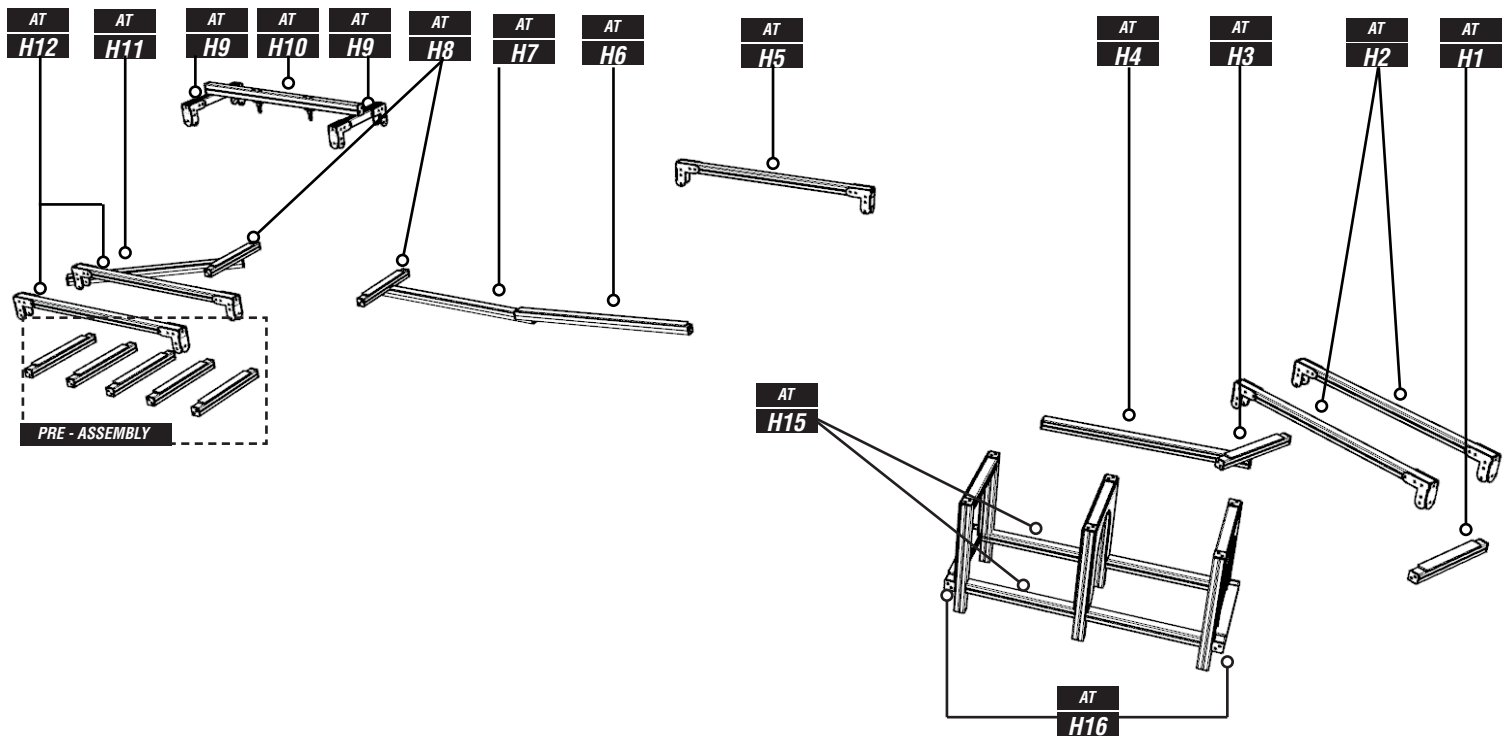
PARTS REQUIRED



UPRIGHT TIMBERS

| CODE | SIZE | QTY | END | ADDITIONAL INFORMATION |
|----------|------|-----|---------|------------------------|
| AT - U1 | 1800 | 4 | - | UPRIGHT TIMBER |
| AT - U2 | 2715 | 1 | END CAP | UPRIGHT TIMBER |
| AT - U3 | 2715 | 1 | END CAP | UPRIGHT TIMBER |
| AT - U4 | 3000 | 1 | - | UPRIGHT TIMBER |
| AT - U5 | 3000 | 1 | - | UPRIGHT TIMBER |
| AT - U6 | 2335 | 1 | END CAP | UPRIGHT TIMBER |
| AT - U7 | 3000 | 4 | - | UPRIGHT TIMBER |
| AT - U8 | 1800 | 2 | END CAP | UPRIGHT TIMBER |
| AT - U9 | 2100 | 1 | END CAP | UPRIGHT TIMBER |
| AT - U10 | 2100 | 1 | END CAP | UPRIGHT TIMBER |
| AT - U11 | 1800 | 1 | - | UPRIGHT TIMBER |
| AT - U12 | 1800 | 3 | - | UPRIGHT TIMBER |

PARTS REQUIRED

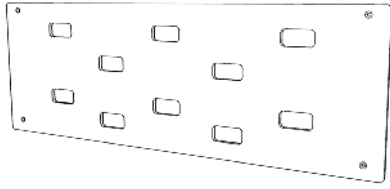


*PLEASE NOTE ALL H TIMBERS ARE PRE-ASSEMBLED WITH PLAYTEC L'S AND/OR HEXBOARD (AS SHOWN ABOVE)

HORIZONTAL TIMBERS

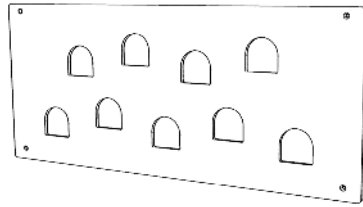
| CODE | SIZE | QTY | START | END | ADDITIONAL INFORMATION |
|----------|------|-----|-------------|-------------|------------------------------------|
| AT - H1 | 900 | 1 | END CAP | END CAP | HORIZONTAL TIMBER (HEXA GRIP SLAT) |
| AT - H2 | 2100 | 2 | PLAYTEC L'S | PLAYTEC L'S | HORIZONTAL TIMBER |
| AT - H3 | 900 | 1 | END CAP | END CAP | HORIZONTAL TIMBER (HEXA GRIP SLAT) |
| AT - H4 | 2010 | 1 | END CAP | END CAP | HORIZONTAL TIMBER |
| AT - H5 | 2100 | 1 | PLAYTEC L'S | PLAYTEC L'S | HORIZONTAL TIMBER |
| AT - H6 | 2160 | 1 | END CAP | END CAP | HORIZONTAL TIMBER (HEXA GRIP SLAT) |
| AT - H7 | 2010 | 1 | END CAP | END CAP | HORIZONTAL TIMBER (HEXA GRIP SLAT) |
| AT - H8 | 900 | 2 | END CAP | END CAP | HORIZONTAL TIMBER (HEXA GRIP SLAT) |
| AT - H9 | 900 | 2 | PLAYTEC L'S | PLAYTEC L'S | HORIZONTAL TIMBER |
| AT - H10 | 2100 | 1 | END CAP | END CAP | HORIZONTAL TIMBER |
| AT - H11 | 2010 | 1 | END CAP | END CAP | HORIZONTAL TIMBER (HEXA GRIP SLAT) |
| AT - H12 | 2100 | 2 | PLAYTEC L'S | PLAYTEC L'S | HORIZONTAL TIMBER (HEXA GRIP SLAT) |
| AT - H15 | 1920 | 2 | - | - | HORIZONTAL TIMBER |
| AT - H16 | 900 | 2 | END CAP | END CAP | HORIZONTAL TIMBER (HEXA GRIP SLAT) |

PARTS REQUIRED



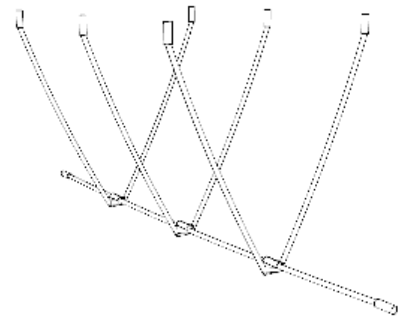
x2

CLIMBING PANELS (UPPER)



x2

CLIMBING PANELS (LOWER)



x1

ROPE BRIDGE



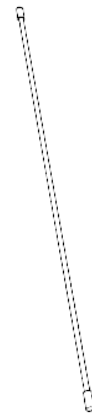
x3

SWINGING ROPES



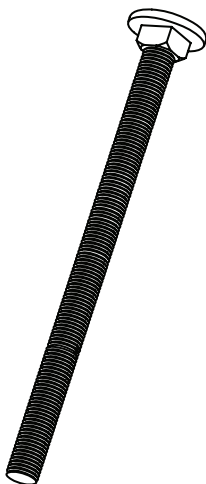
x1

SWINGING ROPE CHAIN



x1

TRAVERSE ROPE



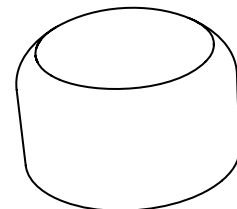
x19

274.M12X200



x65

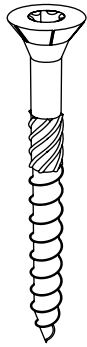
656.M12



x65

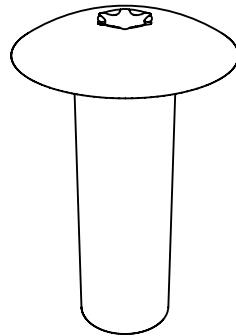
102003-01 - M12

PARTS REQUIRED



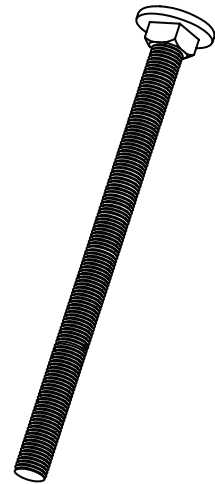
x119

97.M8X80CSK



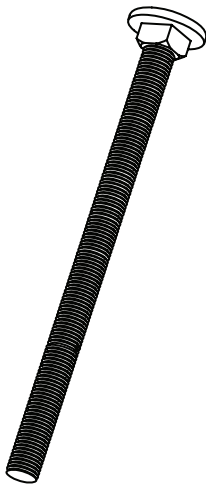
x4

M12 SOCKET NUT (50MM)



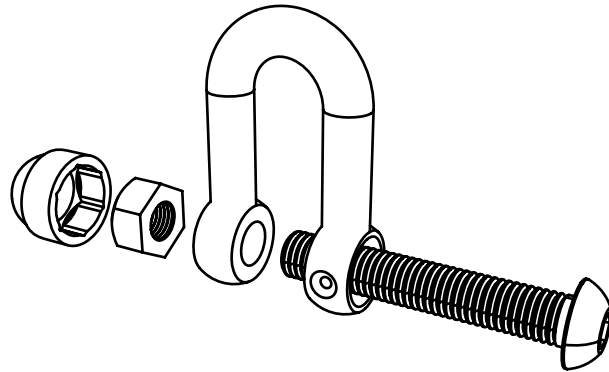
x1

274.M12X220



x7

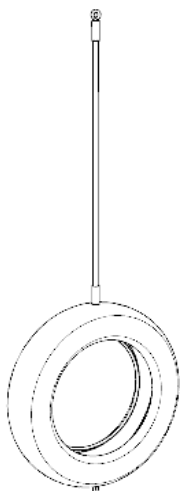
274.M12X180



CONSISTS OF
SHACKLE / BOLT / NYLOC / CAP

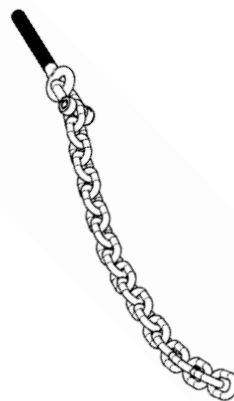
x12

349.742.D-SHACKLE 'SET'



x2

TYRE



x2

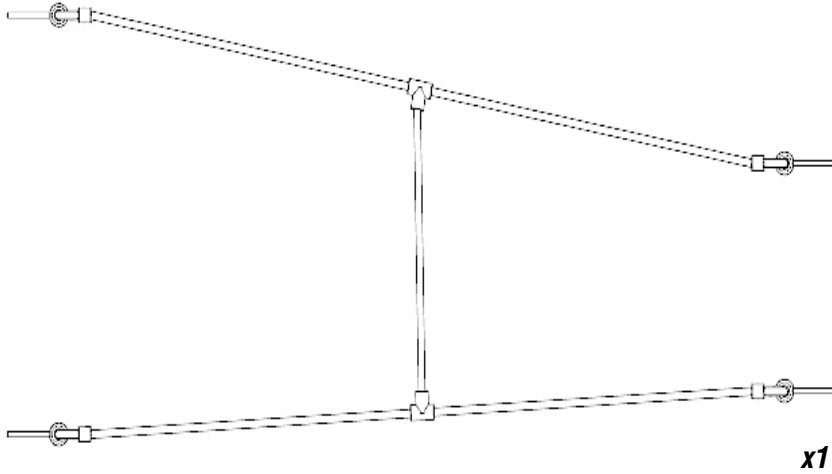
660MM TYRE CHAIN (EYEBOLT)



x1

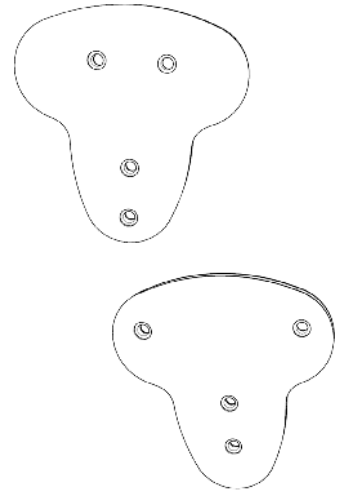
780MM TYRE CHAIN

PARTS REQUIRED



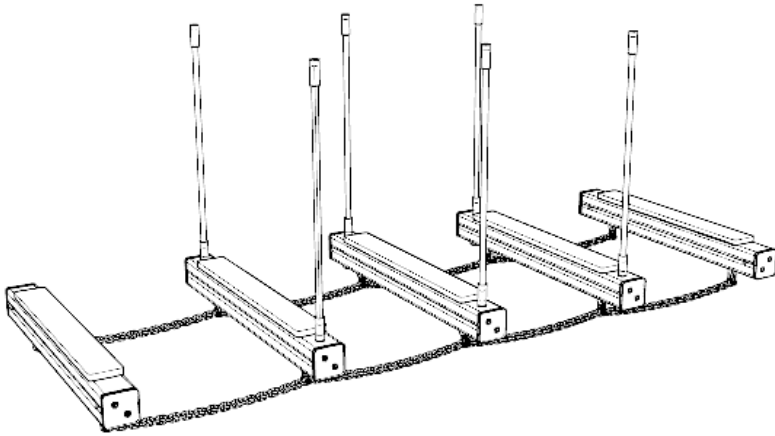
x1

LOG WALK (PRE-ASSEMBLED)



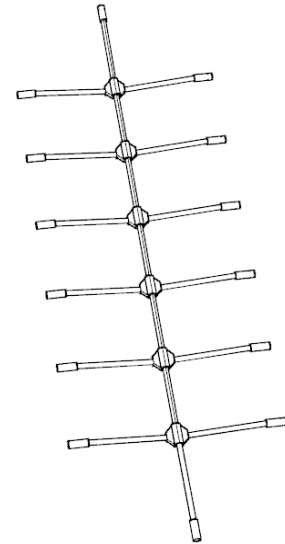
x4

PLAYTEC 'T' SETS (90x90)



x1

LOG WALK (PRE-ASSEMBLED)



x1

TUNNEL ROPE



x2

STEPPING LOG (UA3)



x2

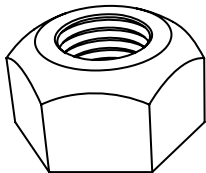
STEPPING LOG (UA4)



x1

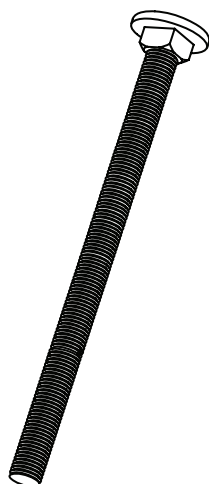
STEPPING LOG (UA5)

PARTS REQUIRED



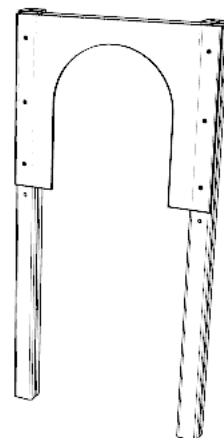
x4

656.M10



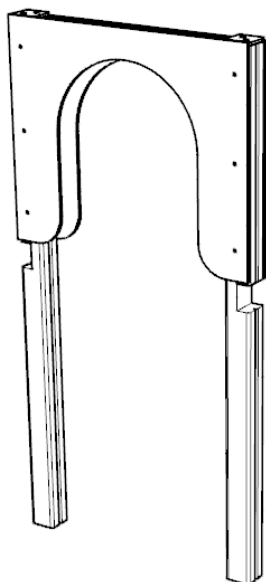
x2

274.M12X110



x2

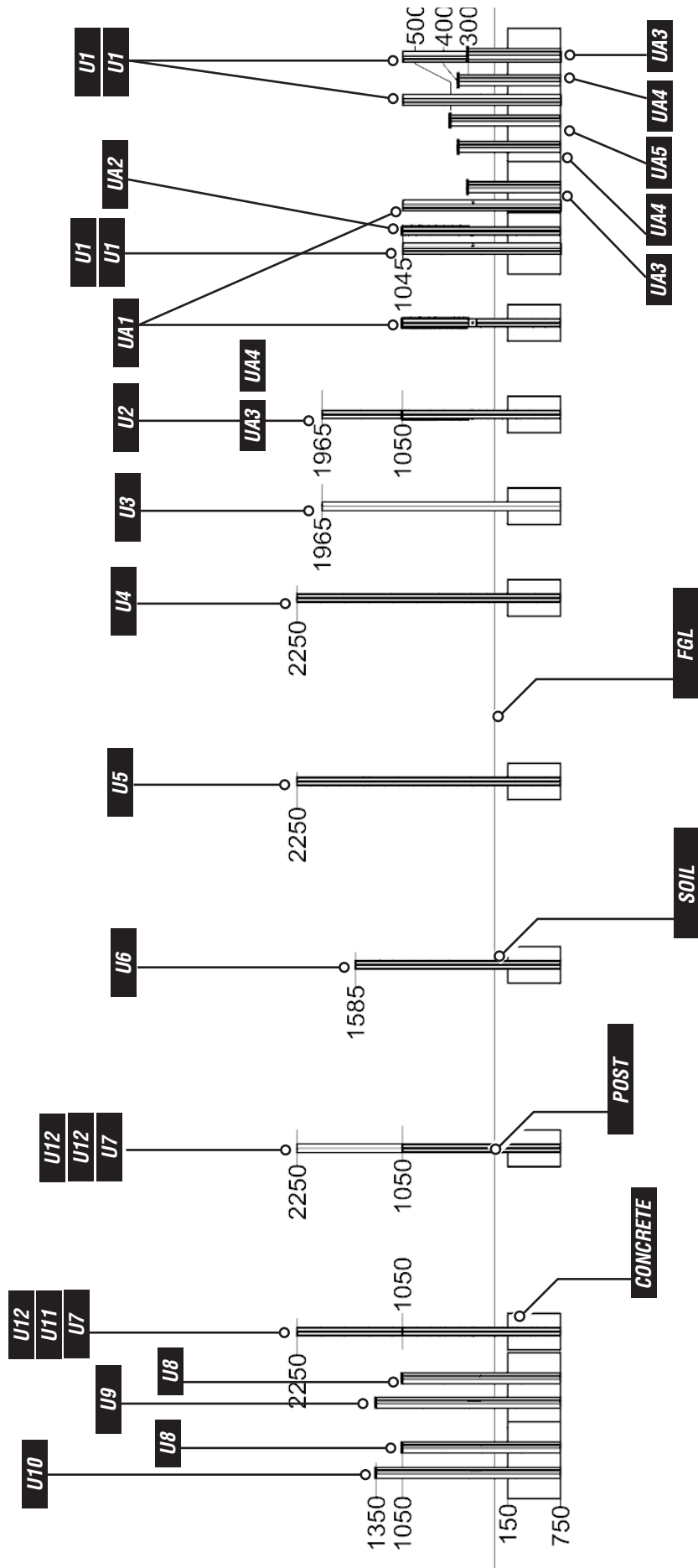
PRE-ASSEMBLED TUNNEL
PANEL



x1

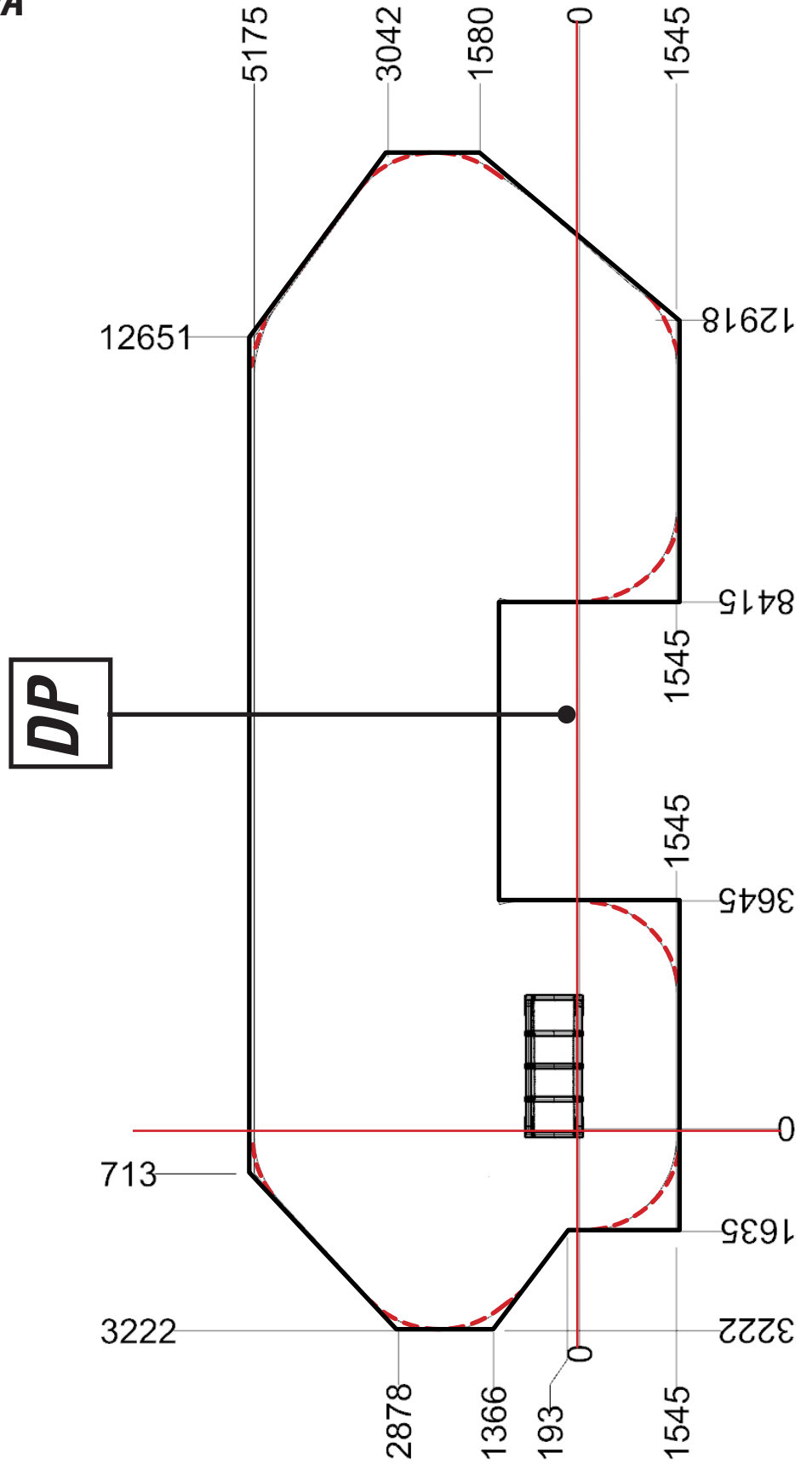
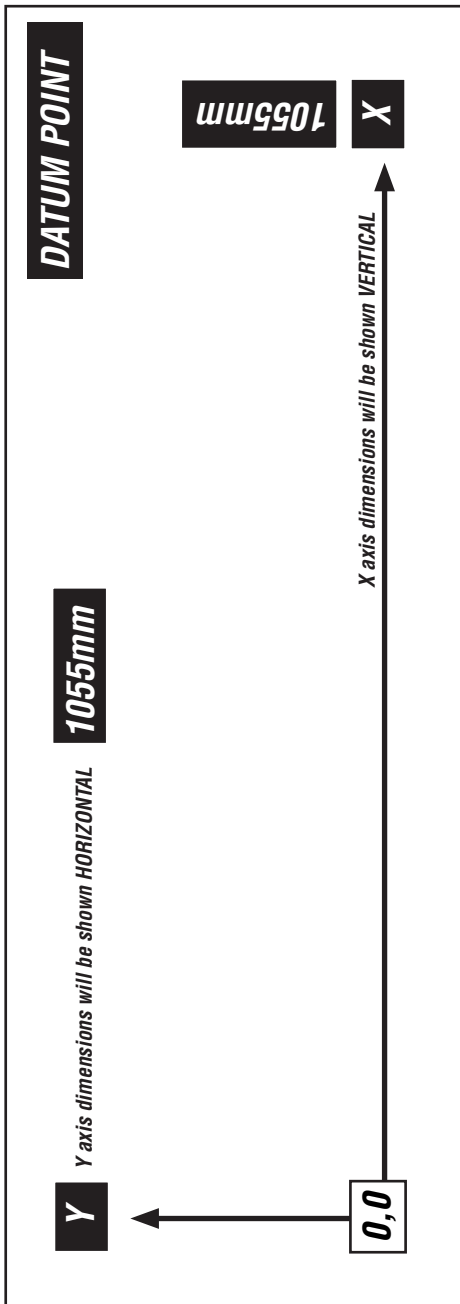
PRE-ASSEMBLED TUNNEL
PANEL - DOUBLE SIDED

FOUNDATION DETAILS



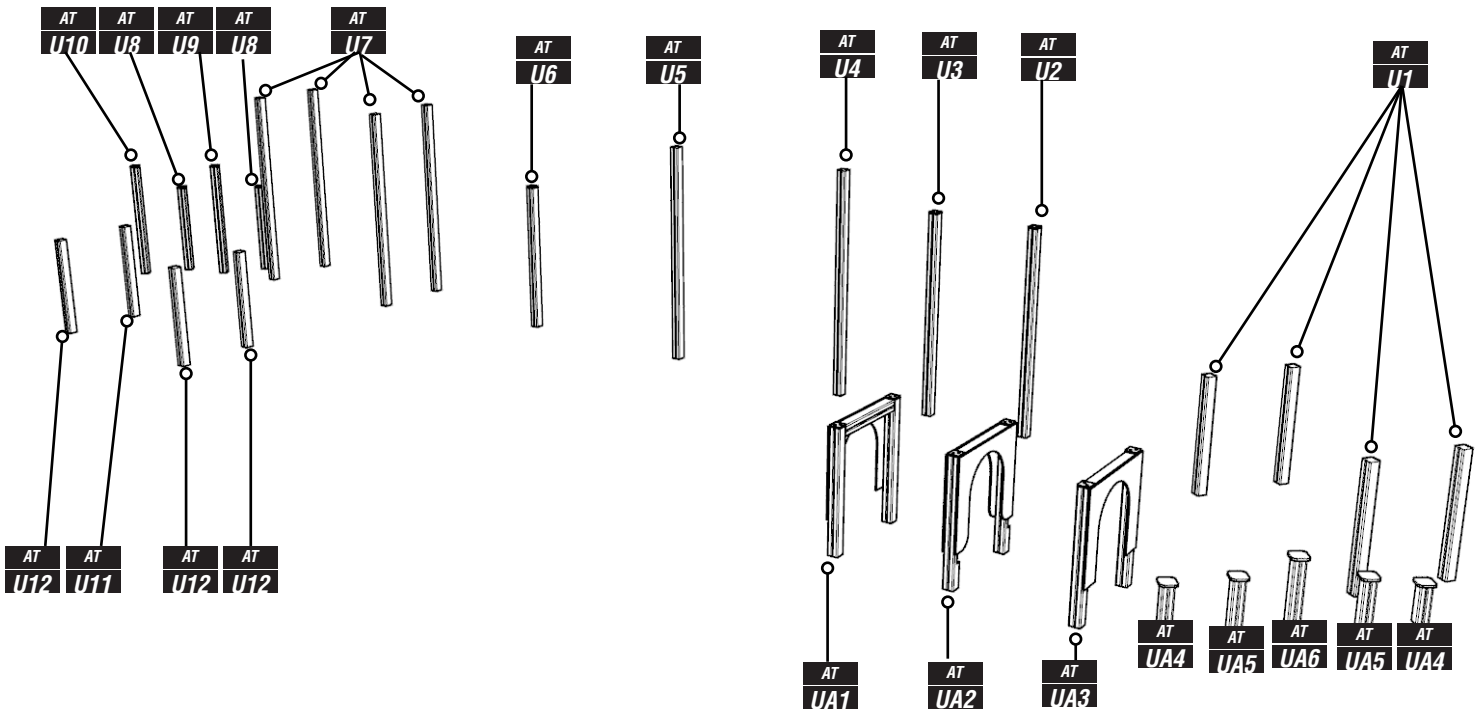
SURFACING DETAILS

--- = MINIMUM SPACE
 — = OVERALL AREA

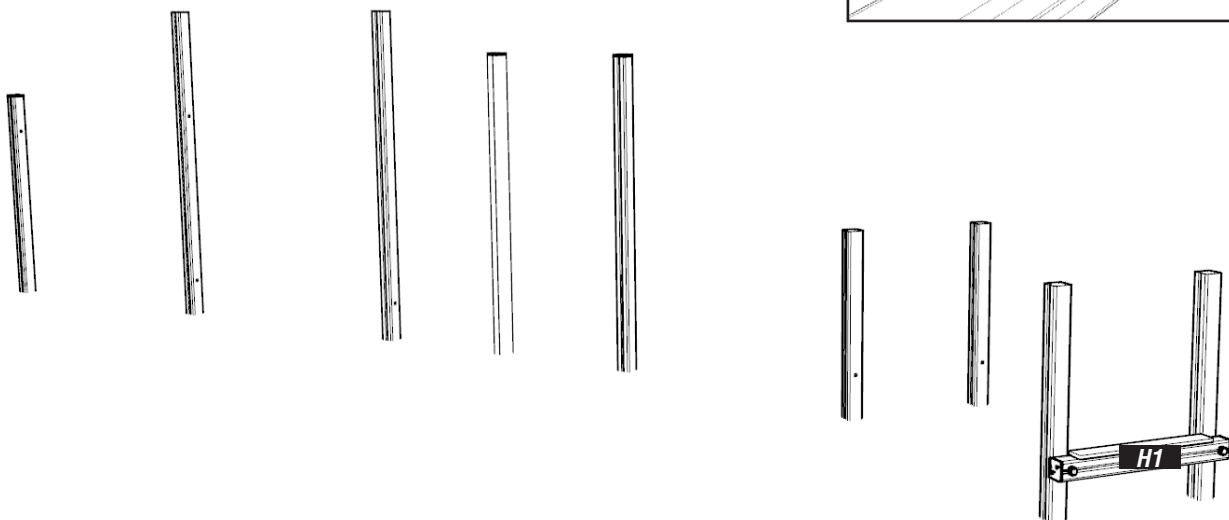
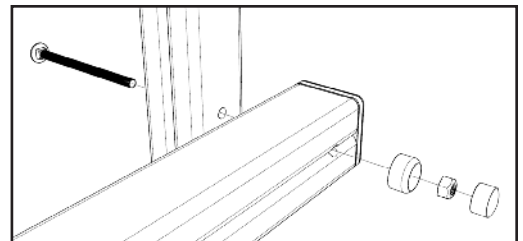


INSTALLATION INSTRUCTIONS

1 POSITION THE UPRIGHT TIMBERS FOLLOWING FOUNDATION DETAILS



2 ATTACH TIMBER H1 USING 274.M12X200 / 656.M12 / 102003-01, SECURE HEXBOARD WITH M8X80MM WOOD SCREWS

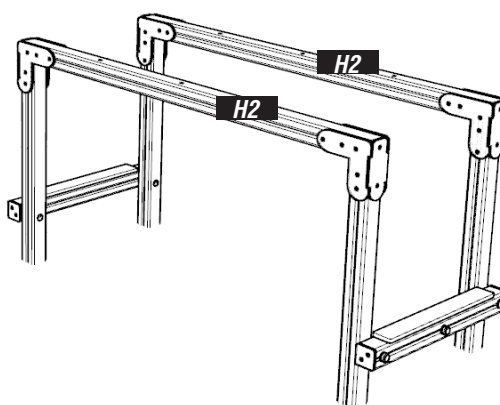
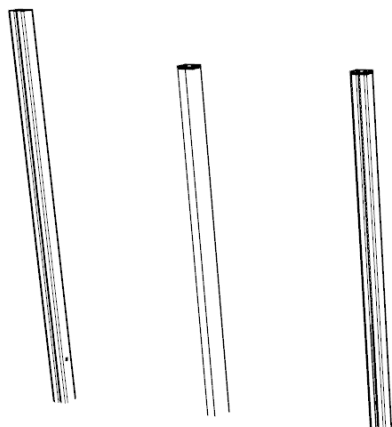
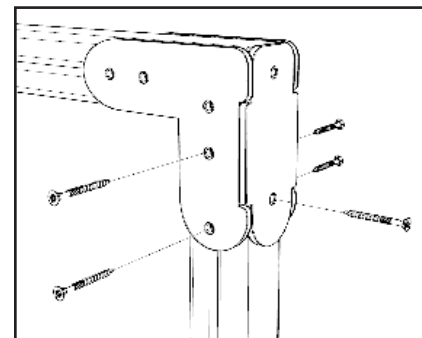


INSTALLATION INSTRUCTIONS

3

ATTACH H2 TIMBERS USING PLAYTEC L'S

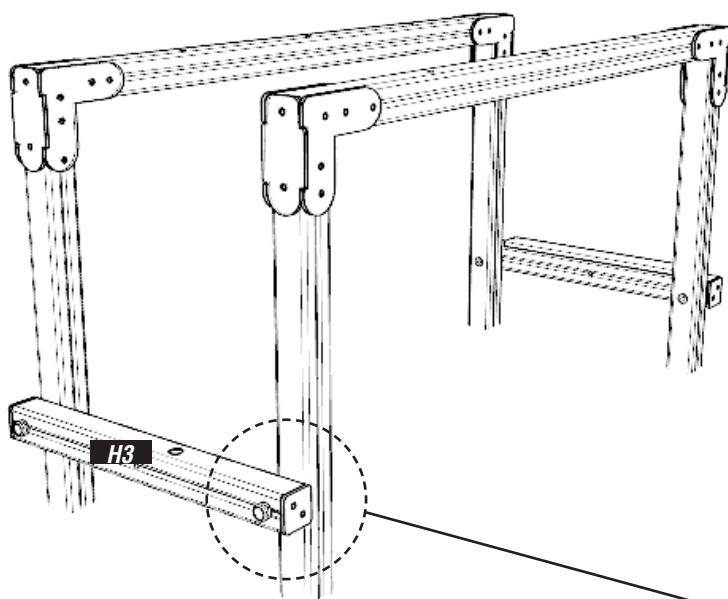
USING M8X80MM WOOD SCREWS, TAKE CARE THAT SCREWS DO NOT 'CROSS'



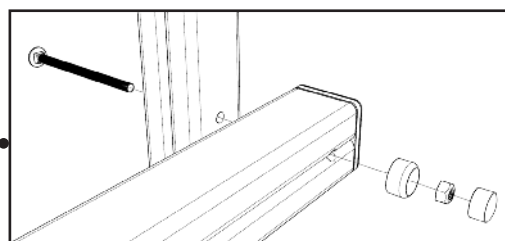
4

ATTACH TIMBER H3

USING 274.M12X200 / 656.M12 / 102003-01



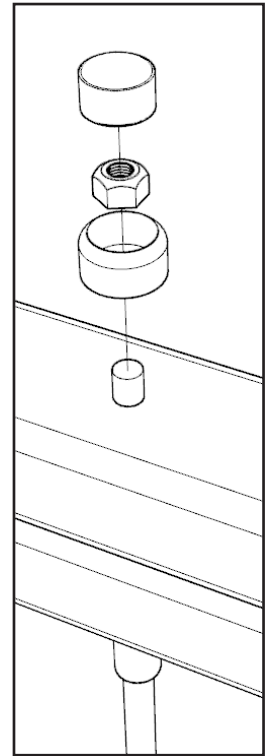
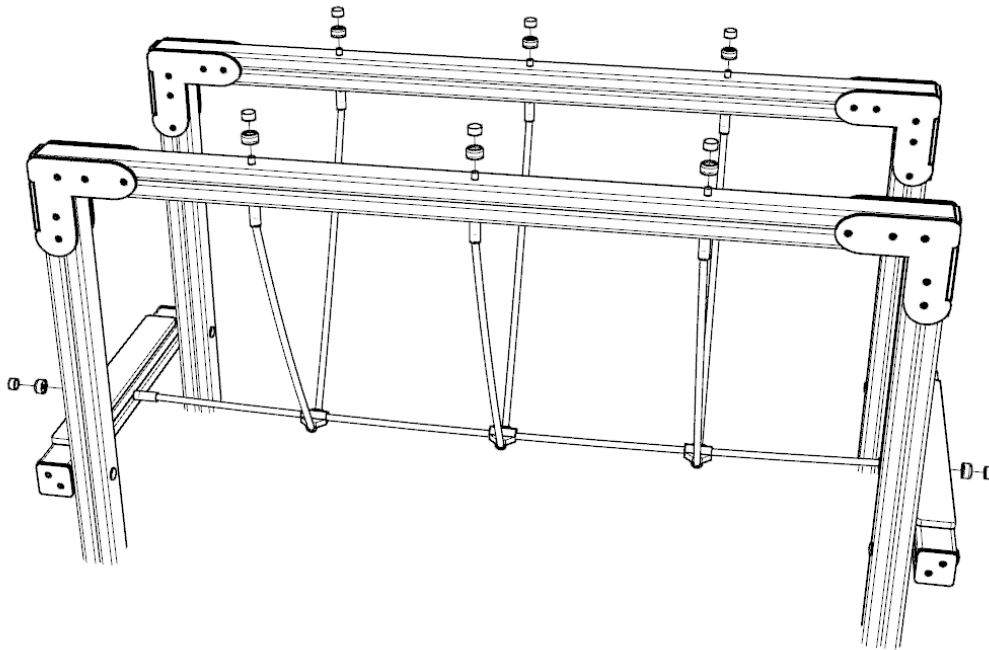
NOTES:
H3 HEXBOARD SLAT WILL NOT BE ATTACHED UNTIL STEP 7



INSTALLATION INSTRUCTIONS

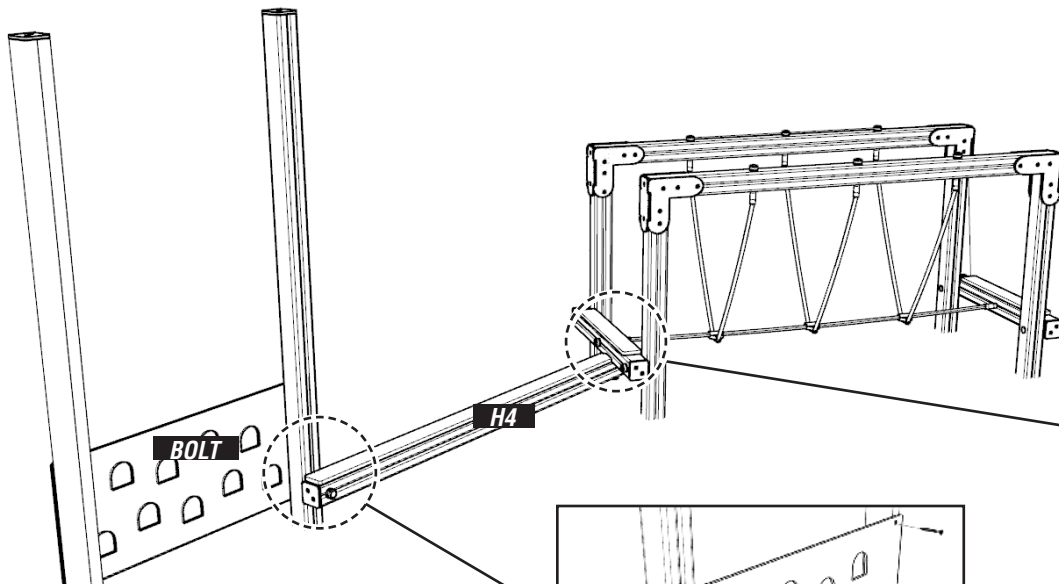
5 ATTACH ROPE BRIDGE

USING 656.M12 / 102003-01

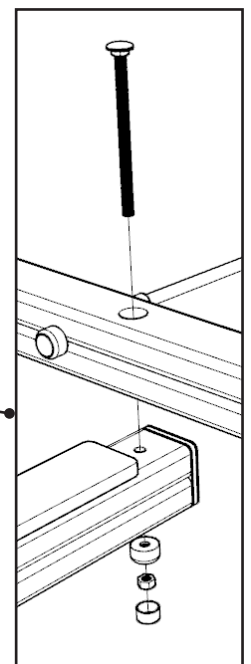


6 ATTACH TIMBER H4 AND LOWER PLAYTEC CLIMBING PANEL SHOWN

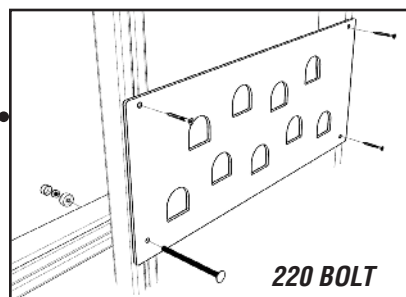
USING 274.M12X180 & 220 / 656.M12 / 102003-01 AND M8X80MM WOOD SCREWS



180 BOLT



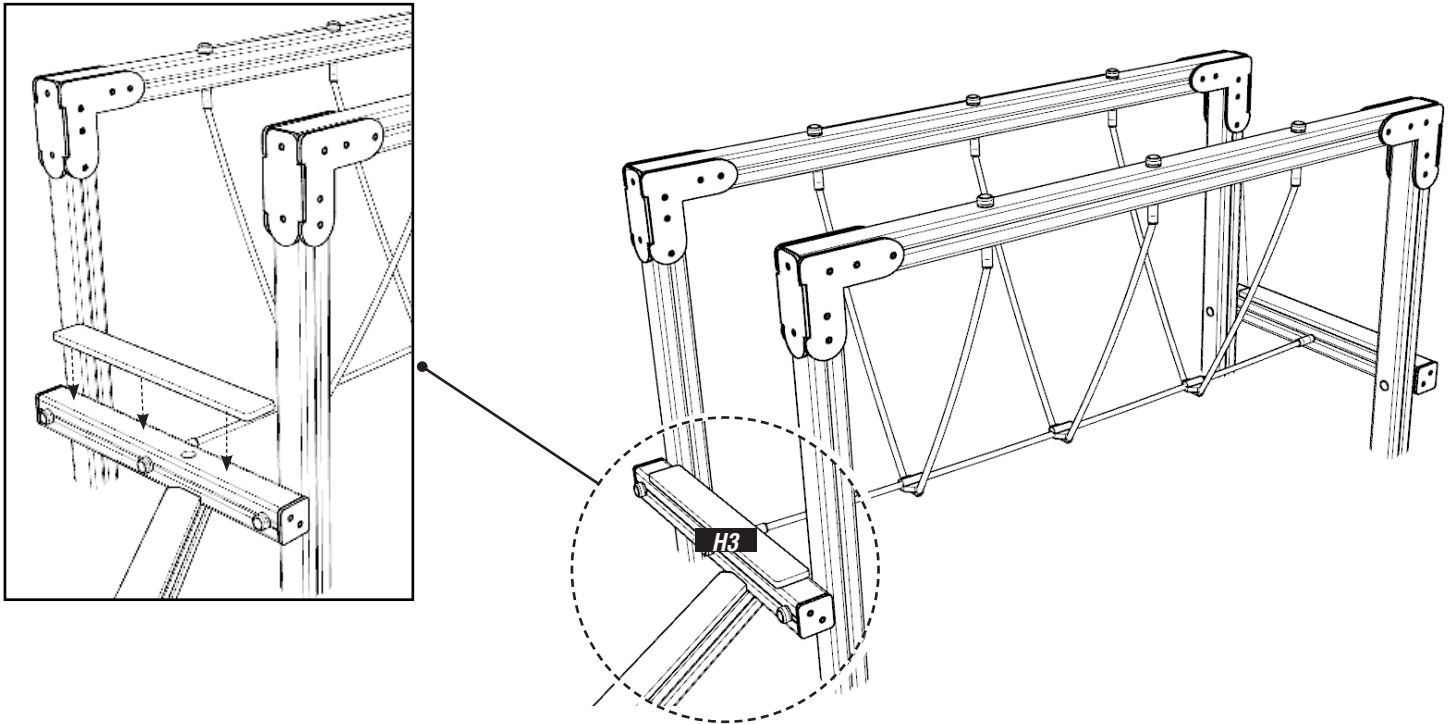
NOTES:
ATTACH PANEL ON OPPOSITE FACE TO BEAM
ONE LOWER PLAYTEC PANEL HAS HOLE DRILLED FOR BOLT (SEE CNC)



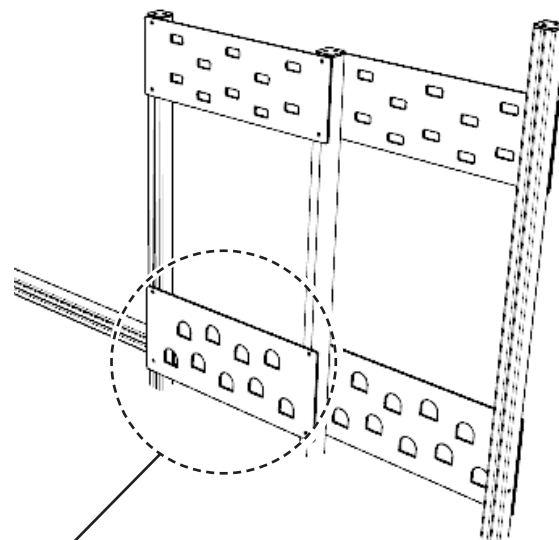
220 BOLT

INSTALLATION INSTRUCTIONS

7 ATTACH H3 HEXBOARD SLAT USING 8X80MM WOOD SCREWS TO COVER COUNTERSUNK BOLT

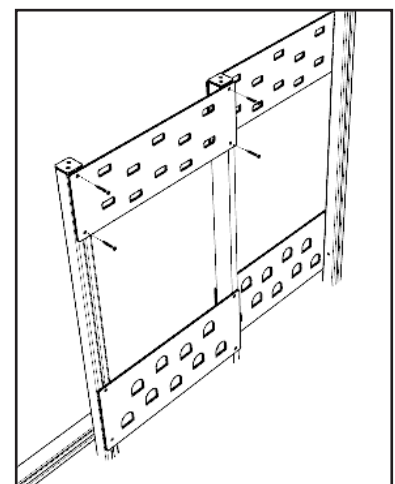


8 ATTACH REMAINING 3 PLAYTEC CLIMBING PANELS USING 8X80MM WOOD SCREWS



NOTES:
ENSURE SECOND SET OF PANELS
ARE ON OPPOSITE FACE TO FIRST

NOTES:
THIS PANEL IS ALREADY ATTACHED AS
PER STEP 6

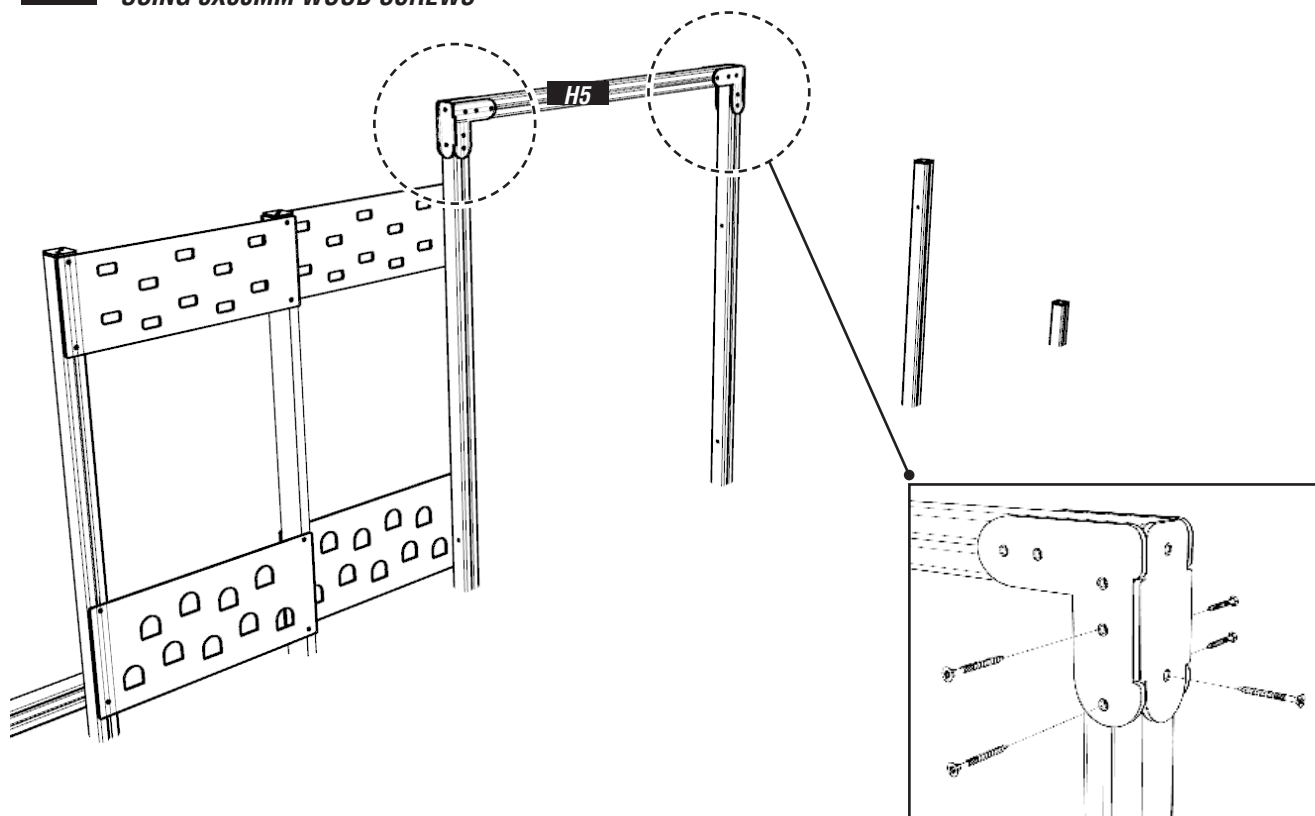


INSTALLATION INSTRUCTIONS

9

ATTACH TIMBER H5 USING PLAYTEC L'S

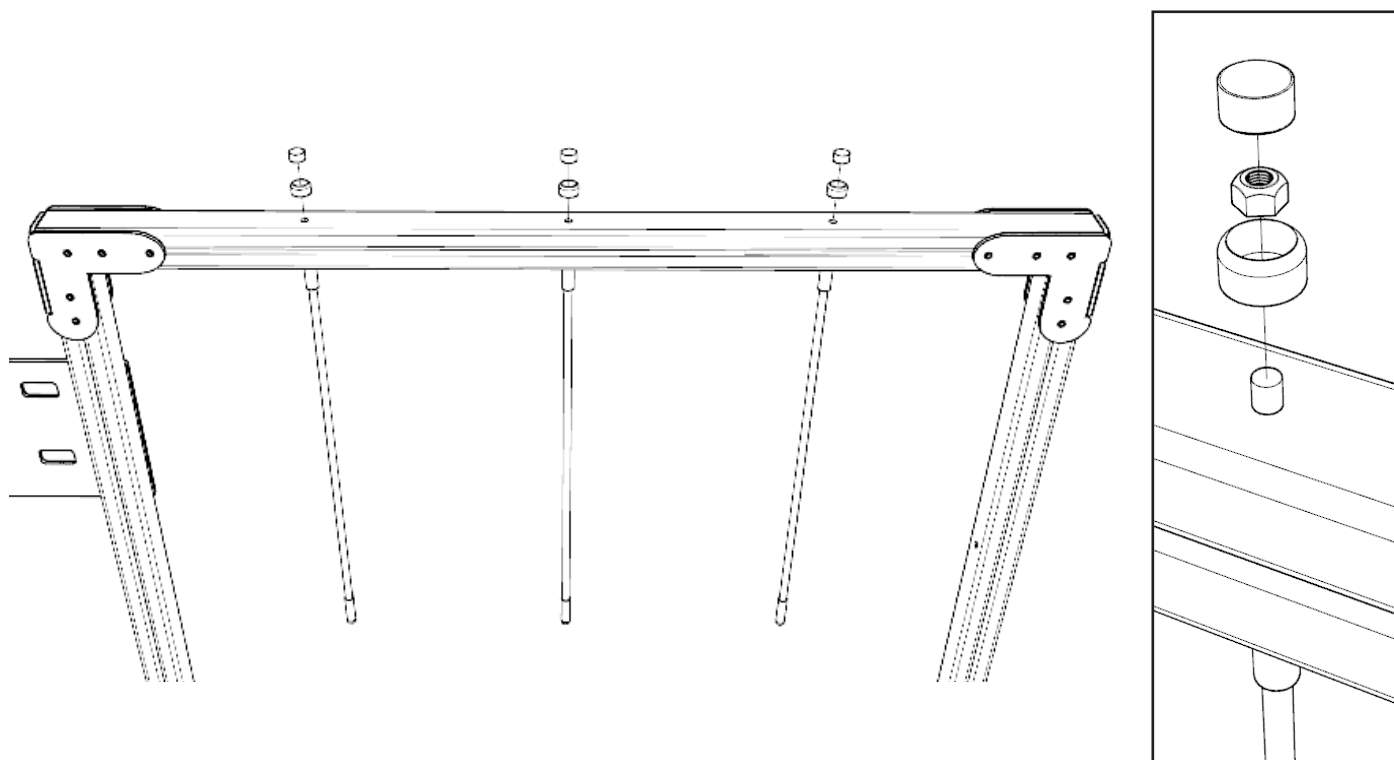
USING 8X80MM WOOD SCREWS



10

ATTACH SWINGING ROPES TO TIMBER H5

USING 656.M12 / 102003-01

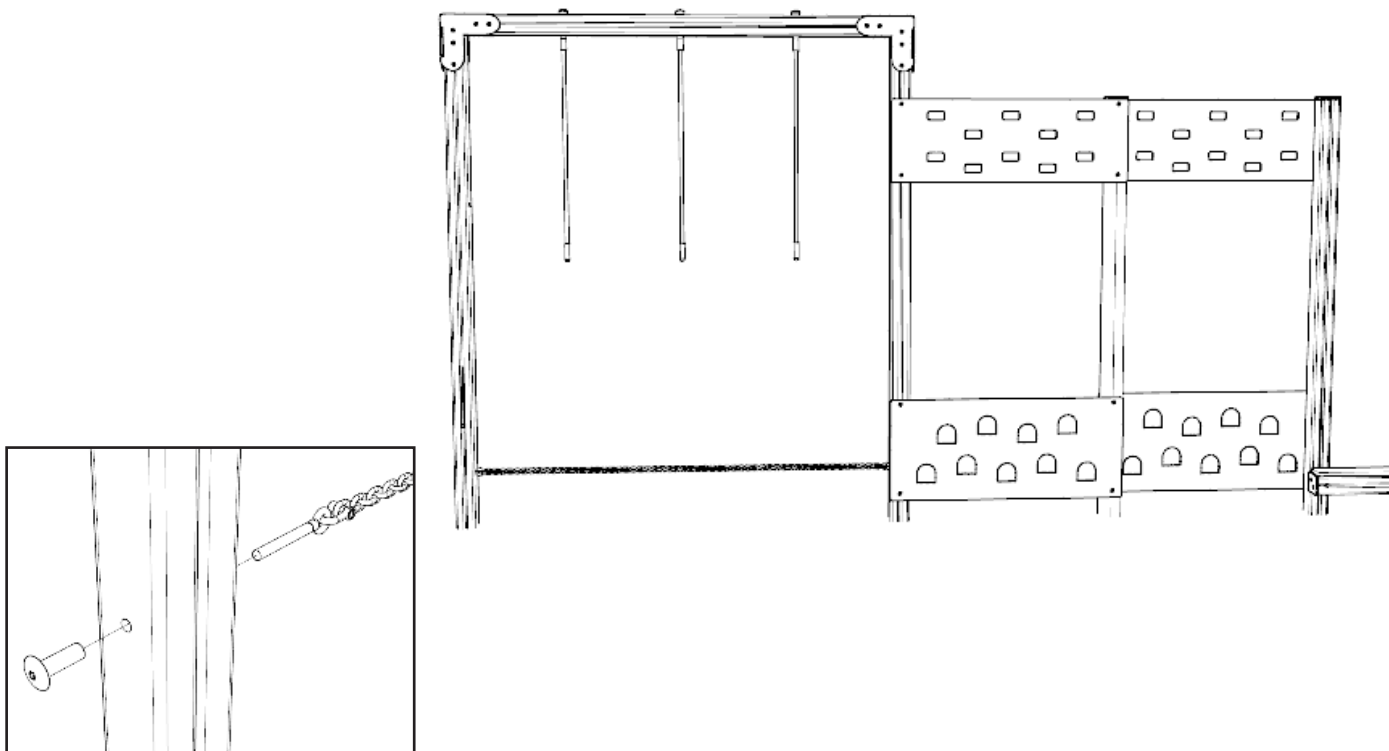


INSTALLATION INSTRUCTIONS

11

ATTACH SWINGING ROPE CHAIN

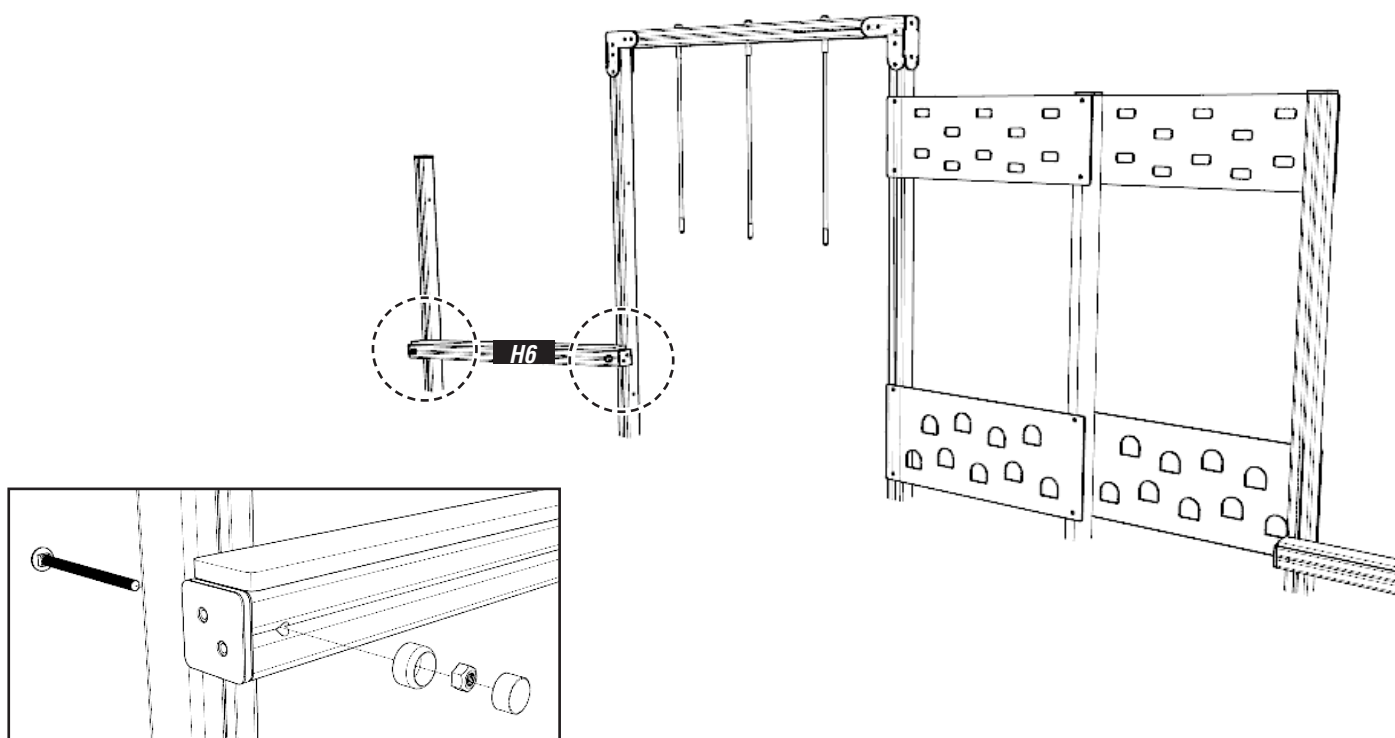
USING M12 X 50MM SOCKET NUT, D - SHACKLE AND EYEBOLT SHOULD BE PRE-ATTACHED TO CHAIN



12

ATTACH TIMBER H6

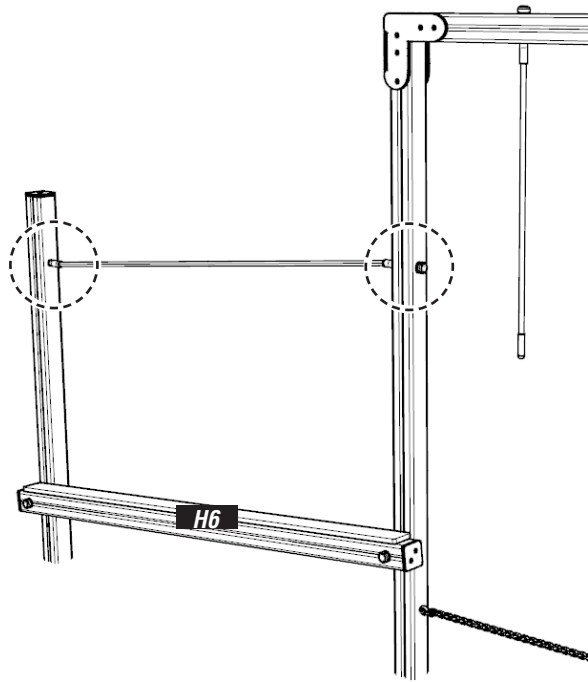
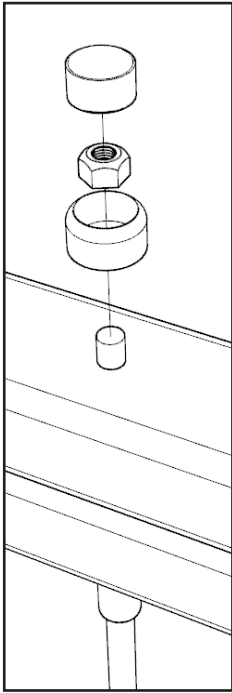
USING 274.M12X200 / 656.M12 / 102003-01



INSTALLATION INSTRUCTIONS

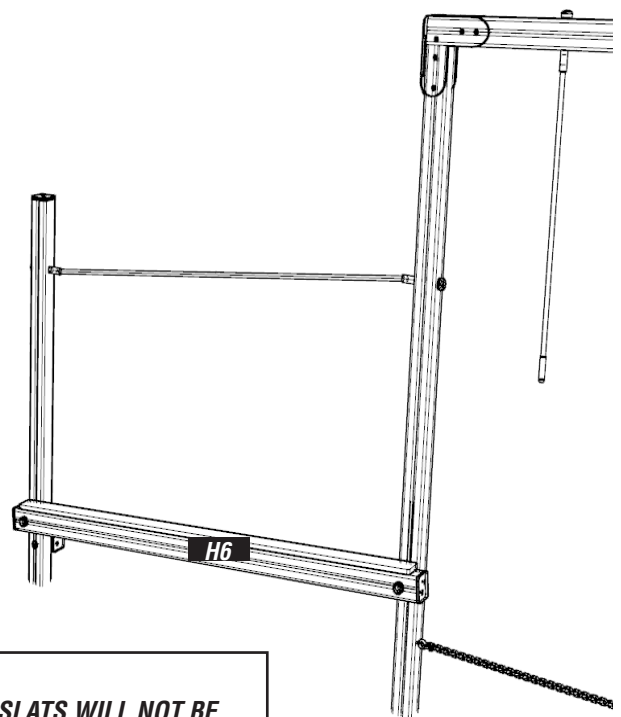
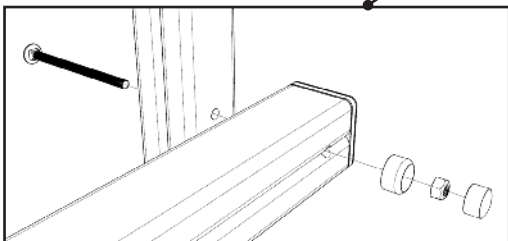
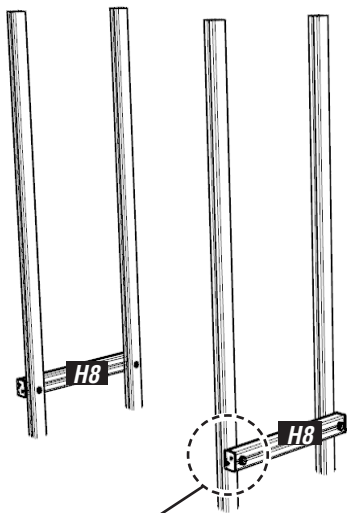
13

ATTACH TRAVERSE ROPE ABOVE TIMBER H6
USING 656.M12 / 102003-01



14

ATTACH H8 TIMBERS
USING 274.M12X200 / 656.M12 / 102003-01



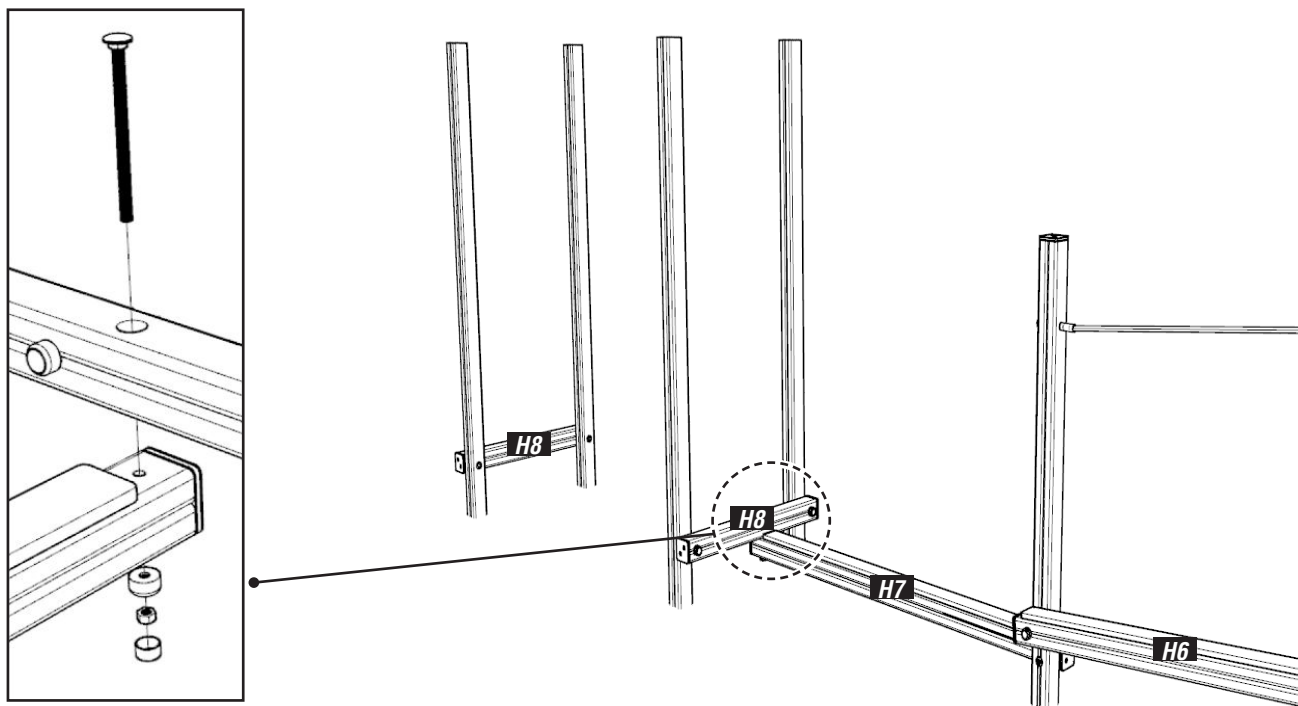
NOTES:
H8 HEXBOARD SLATS WILL NOT BE
ATTACHED UNTIL STEP 21

INSTALLATION INSTRUCTIONS

15

ATTACH TIMBER H7

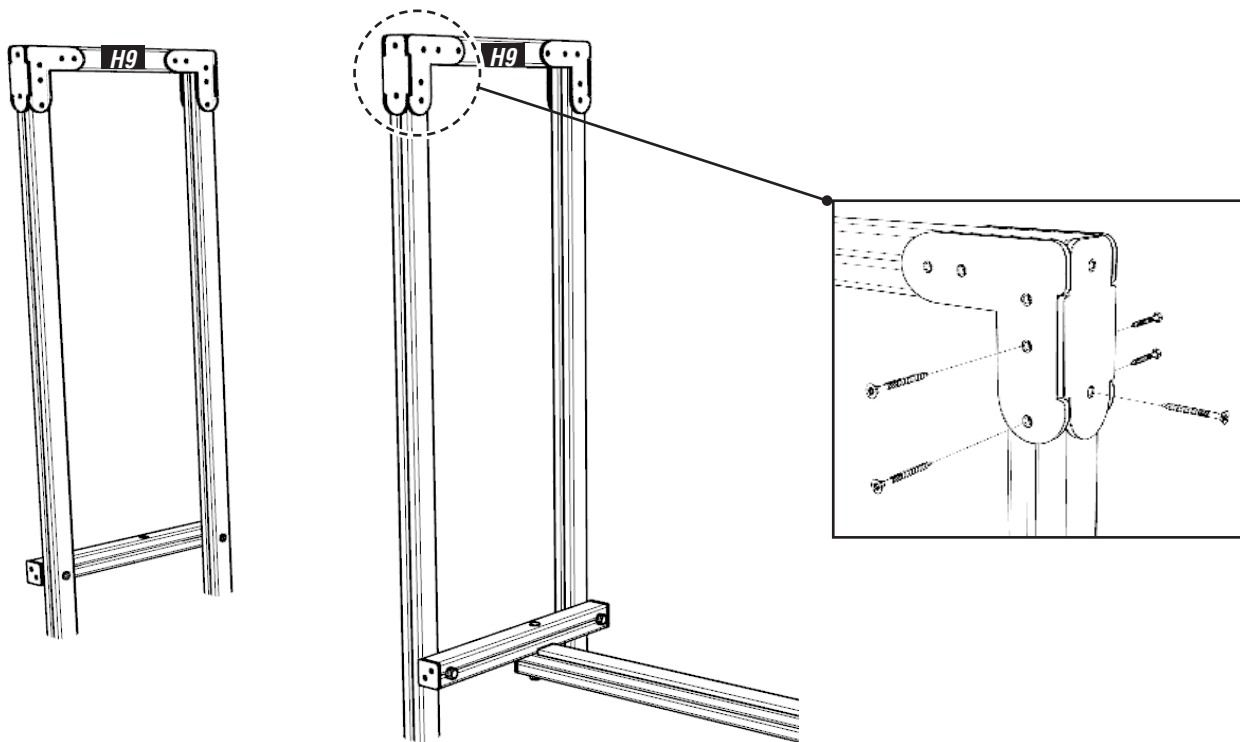
USING 274.M12X180 & 200 / 656.M12 / 102003-01



16

ATTACH H9 TIMBERS USING PLAYTEC L'S

USING 8X80MM WOOD SCREWS

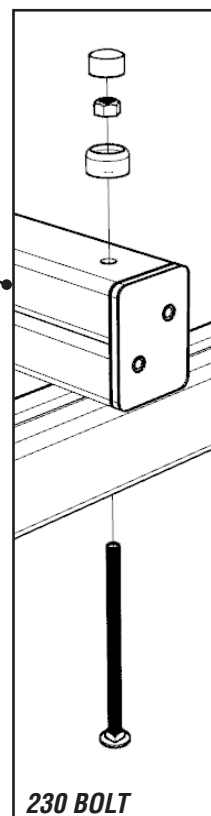
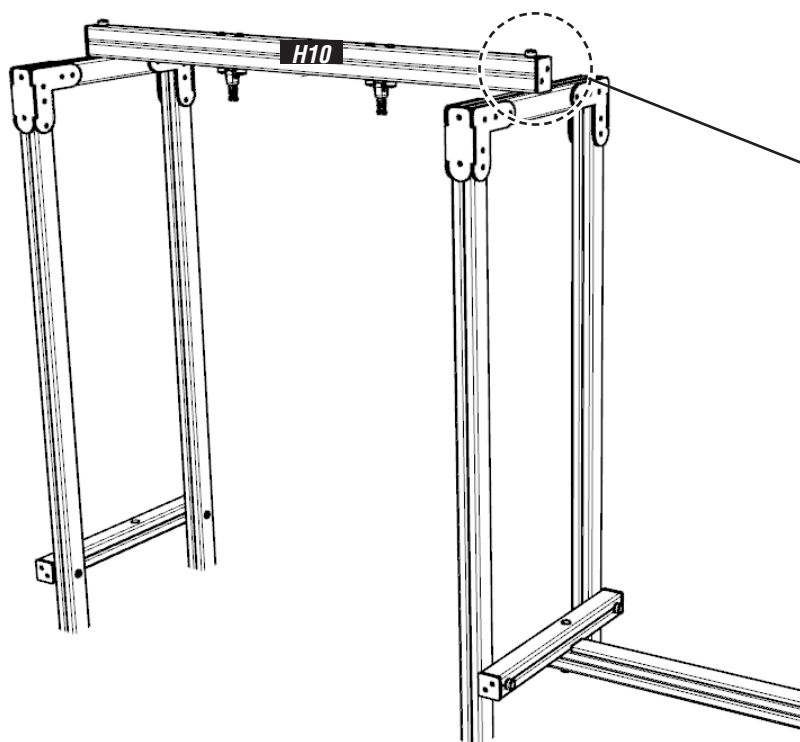


INSTALLATION INSTRUCTIONS

17

ATTACH TIMBER H10

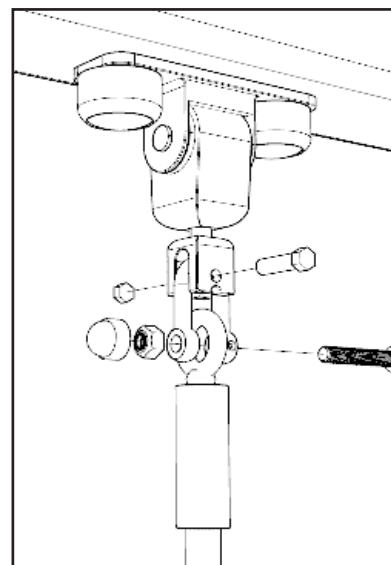
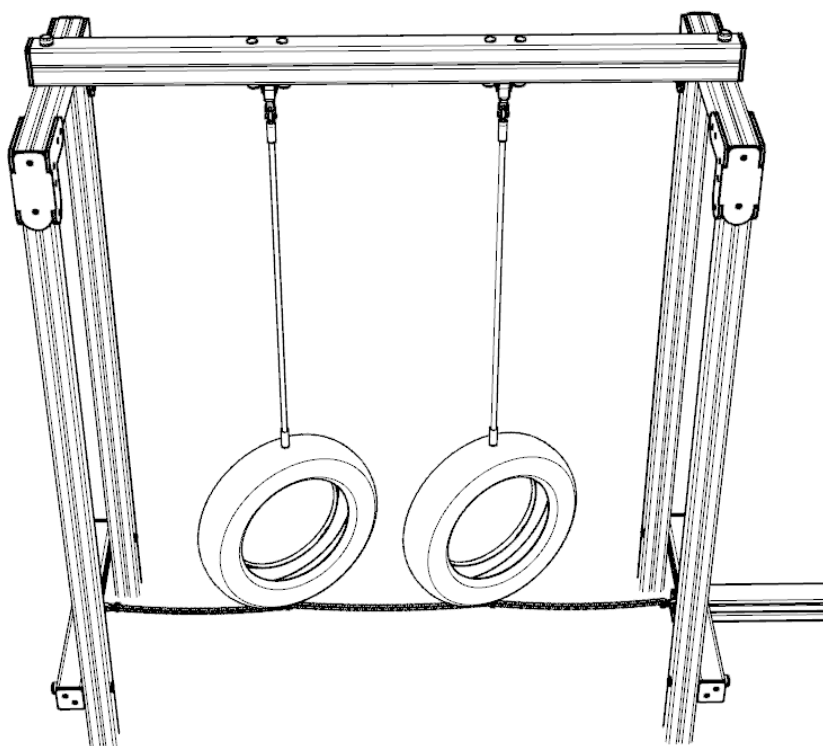
USING 274.M12X230 / 656.M12 / 102003-01



18

ATTACH TYRES

USING D - SHACKLE SETS AS SHOWN

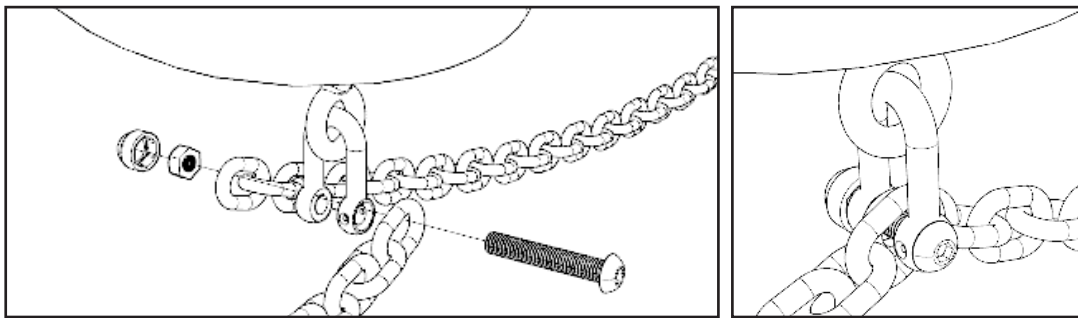
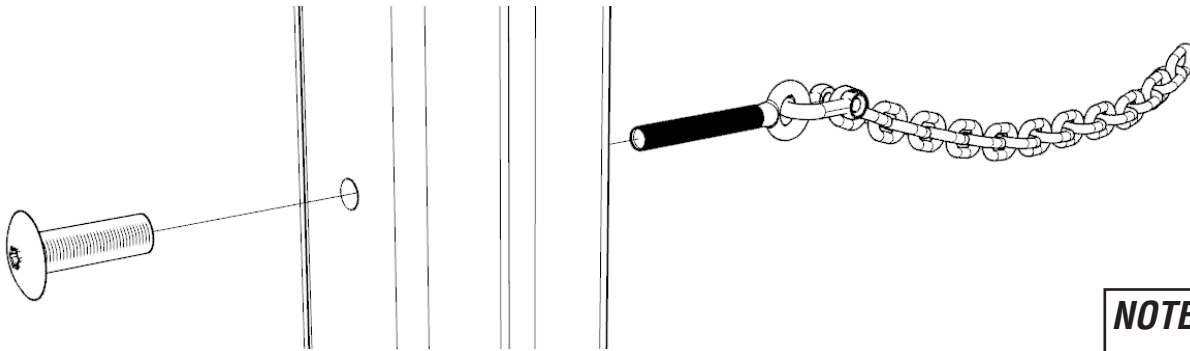


INSTALLATION INSTRUCTIONS

19

ATTACH TYRE CHAINS

USING M12 X 50MM SOCKET NUT ON EYEBOLT CHAINS & D- SHACKLE SETS ON MIDDLE CHAINS



NOTES:

REPEAT EYEBOLT CHAIN ON BOTH SIDES

ATTACH MIDDLE CHAINS TO TYRES AS SHOWN

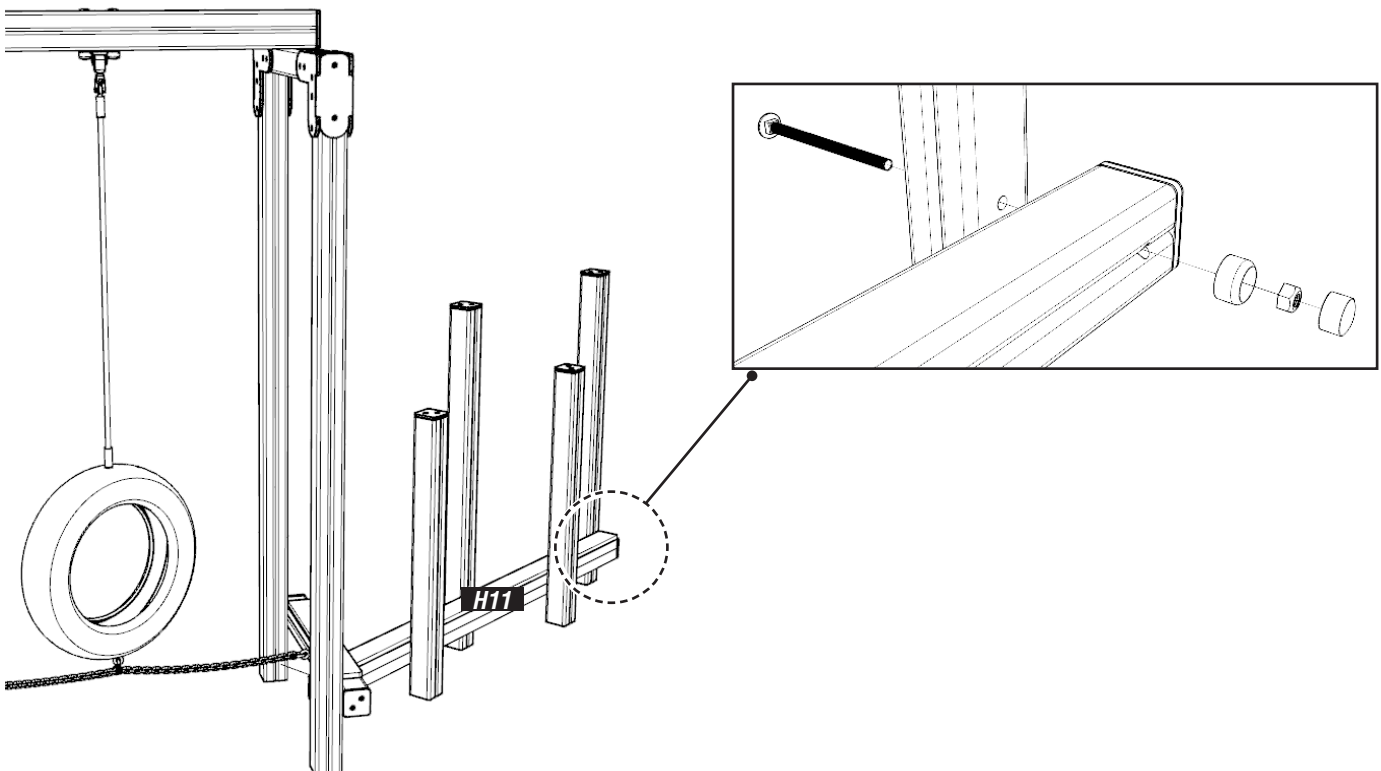
ENSURE CHAIN IS POSITION ON INSIDE OF D - RING

REMOVE LINKS IF NECESSARY

20

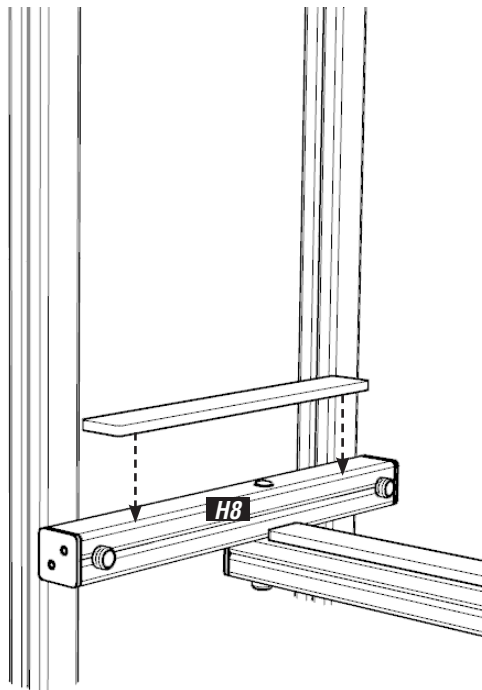
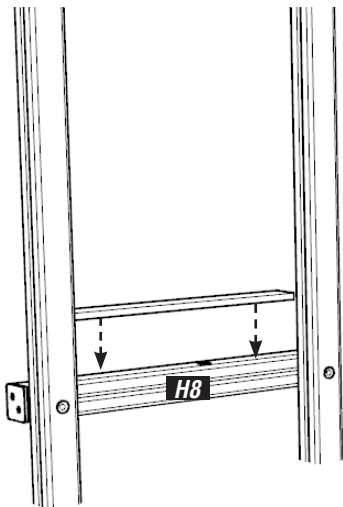
ATTACH TIMBER H11 TO WEAVING POST UPRIGHTS

USING 274.M12X180 & 200 / 656.M12 / 102003-01

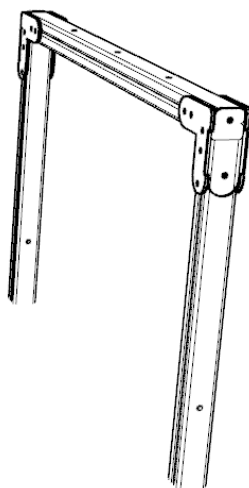
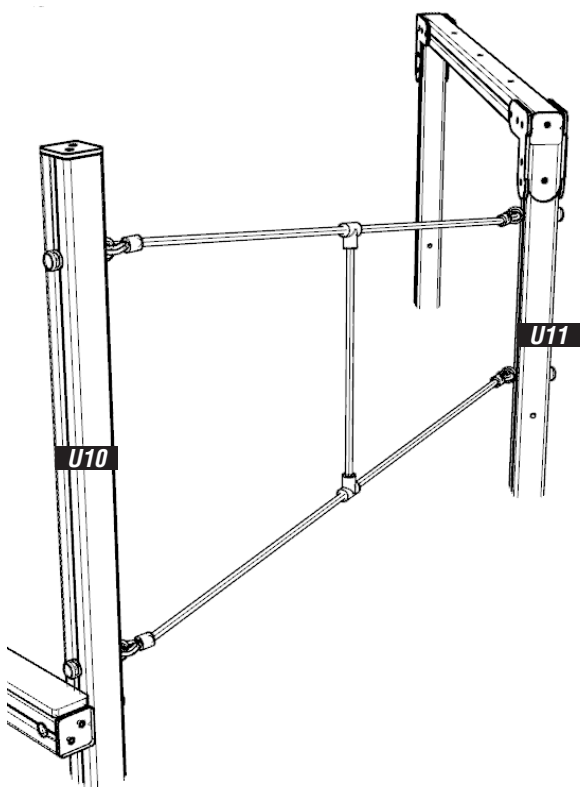


INSTALLATION INSTRUCTIONS

21 ATTACH H8 HEXBOARD SLATS USING 8X80MM WOOD SCREWS



22 ATTACH ROPE TRAVERSE TO TIMBERS U10 & U11 AS SHOWN USING 656.M10 / 102003-01

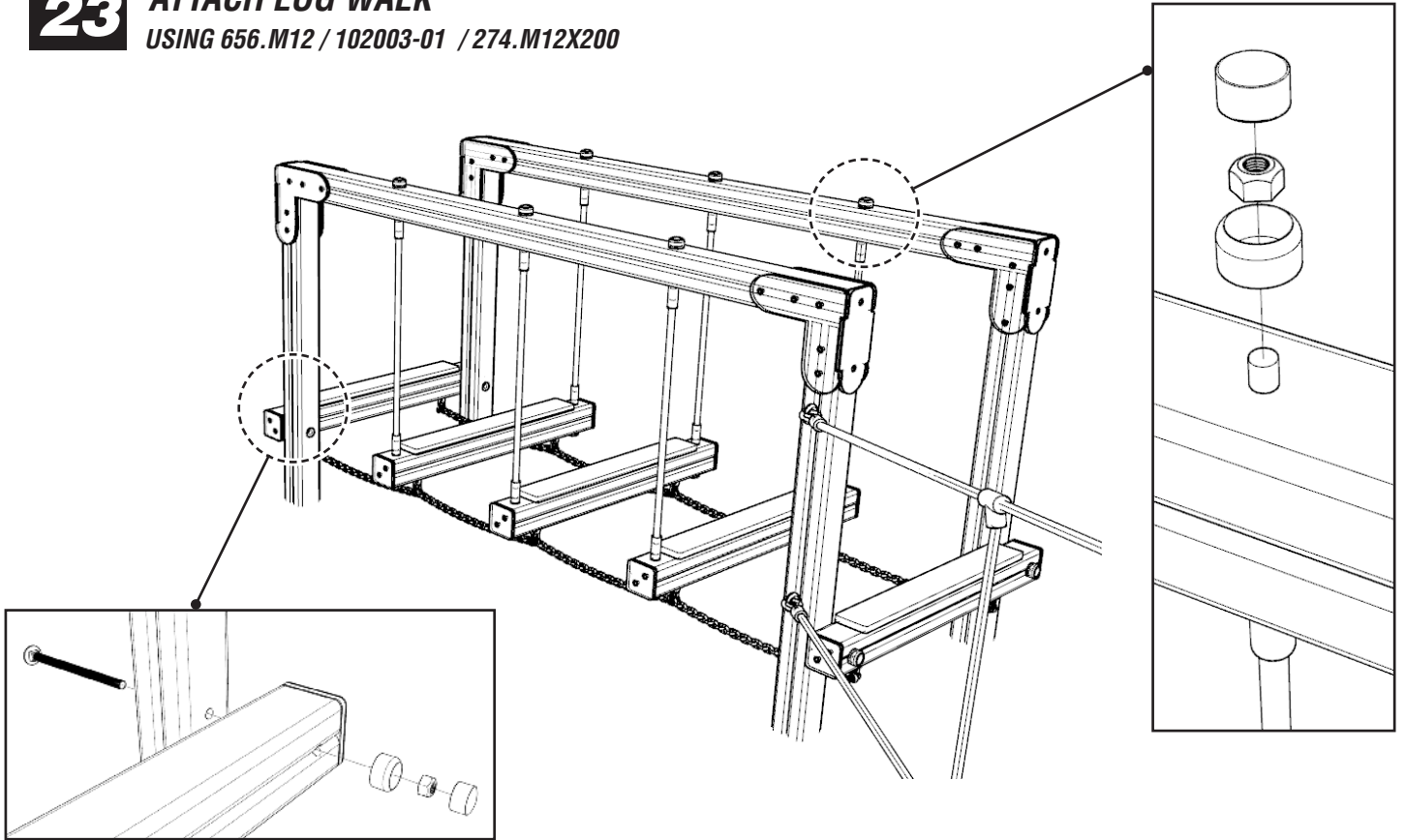


INSTALLATION INSTRUCTIONS

23

ATTACH LOG WALK

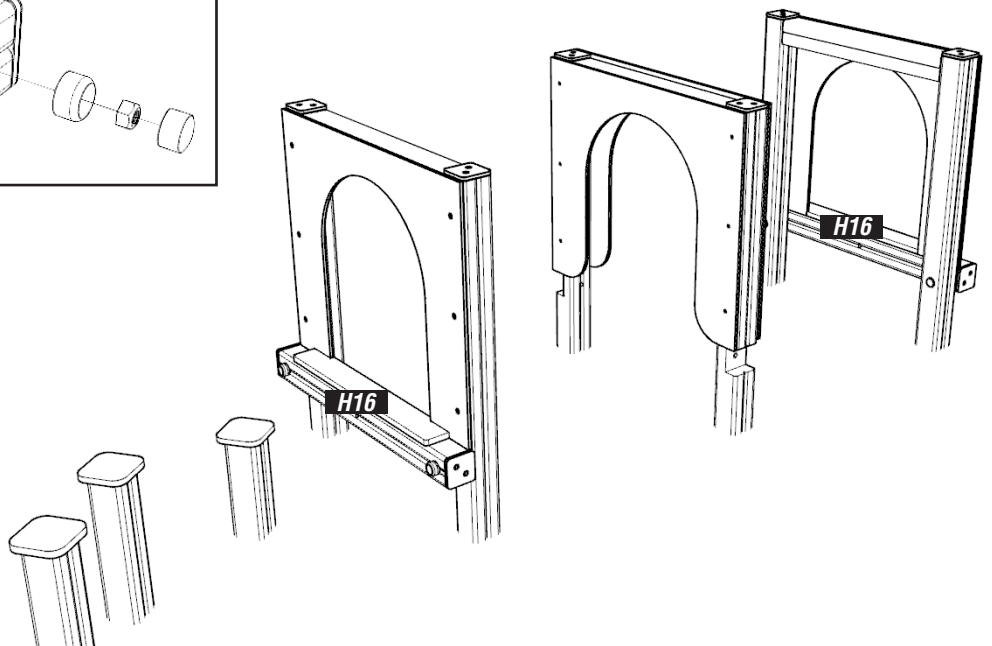
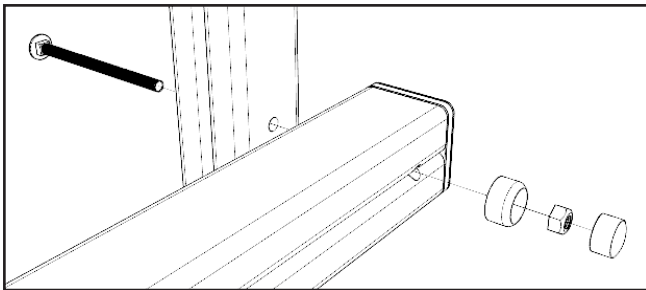
USING 656.M12 / 102003-01 / 274.M12X200



24

ATTACH H16 TIMBER

USING 274.M12X180 / 656.M12 / 102003-01

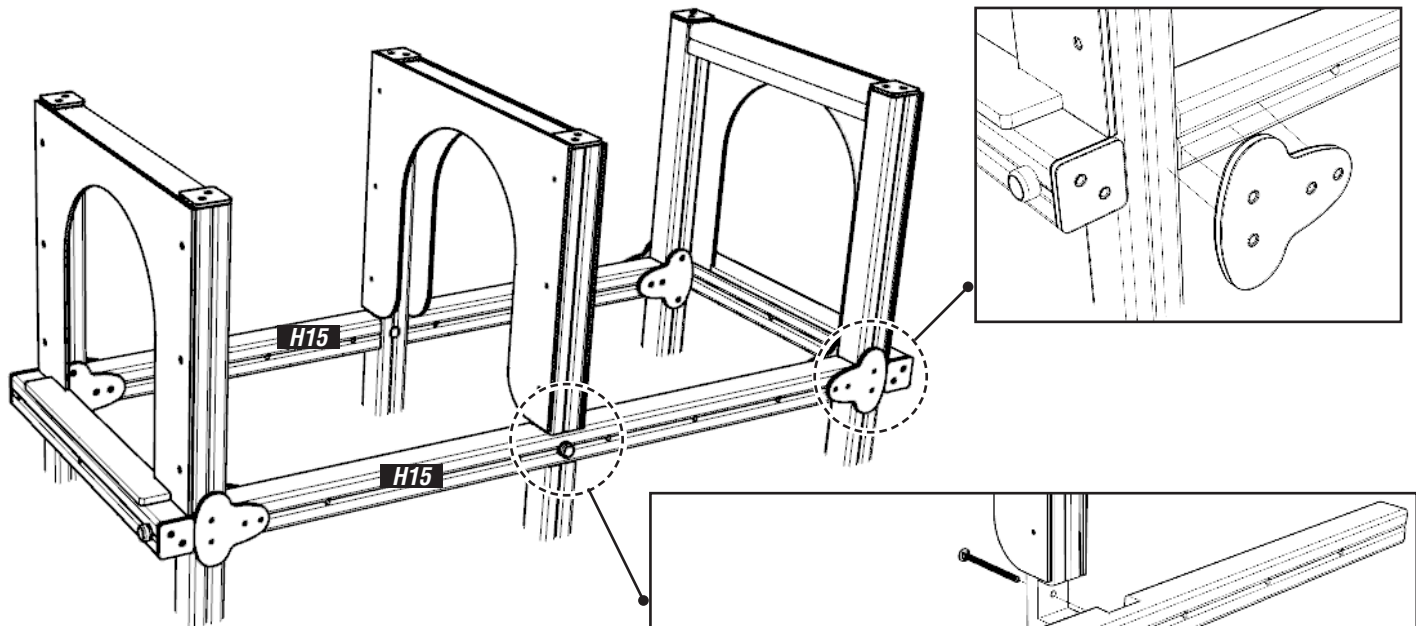


INSTALLATION INSTRUCTIONS

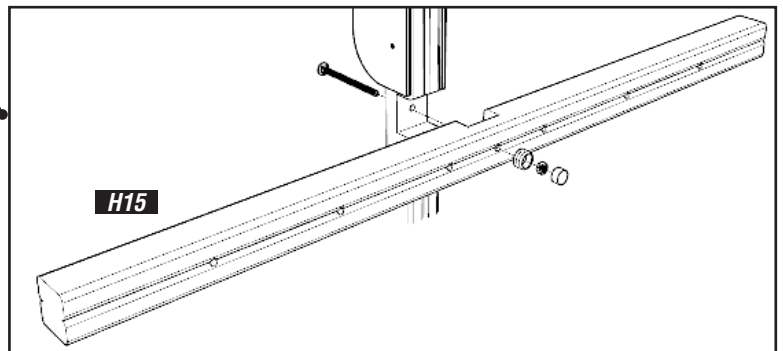
25

ATTACH H15 TIMBERS

USING PLAYTEC T'S / M8X80MM WOOD SCREWS / 274.M12X110 / 656.M12 / 102003-01



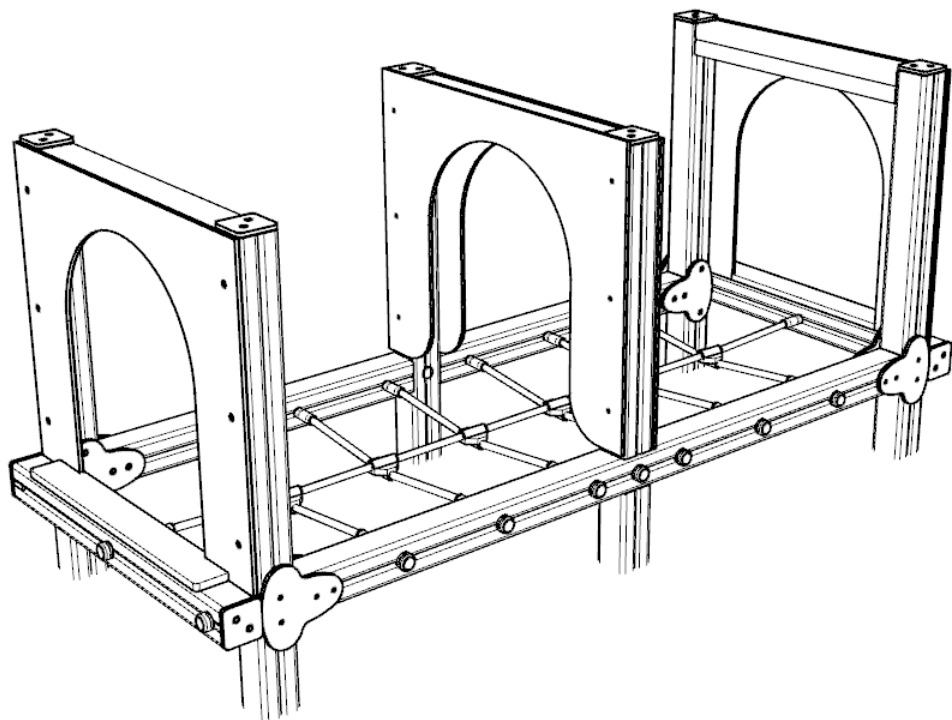
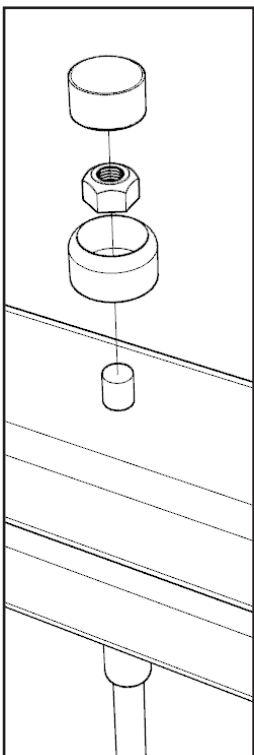
NOTES: ATTACH PLAYTEC T'S ON INSIDE AND OUTSIDE OF TUNNEL



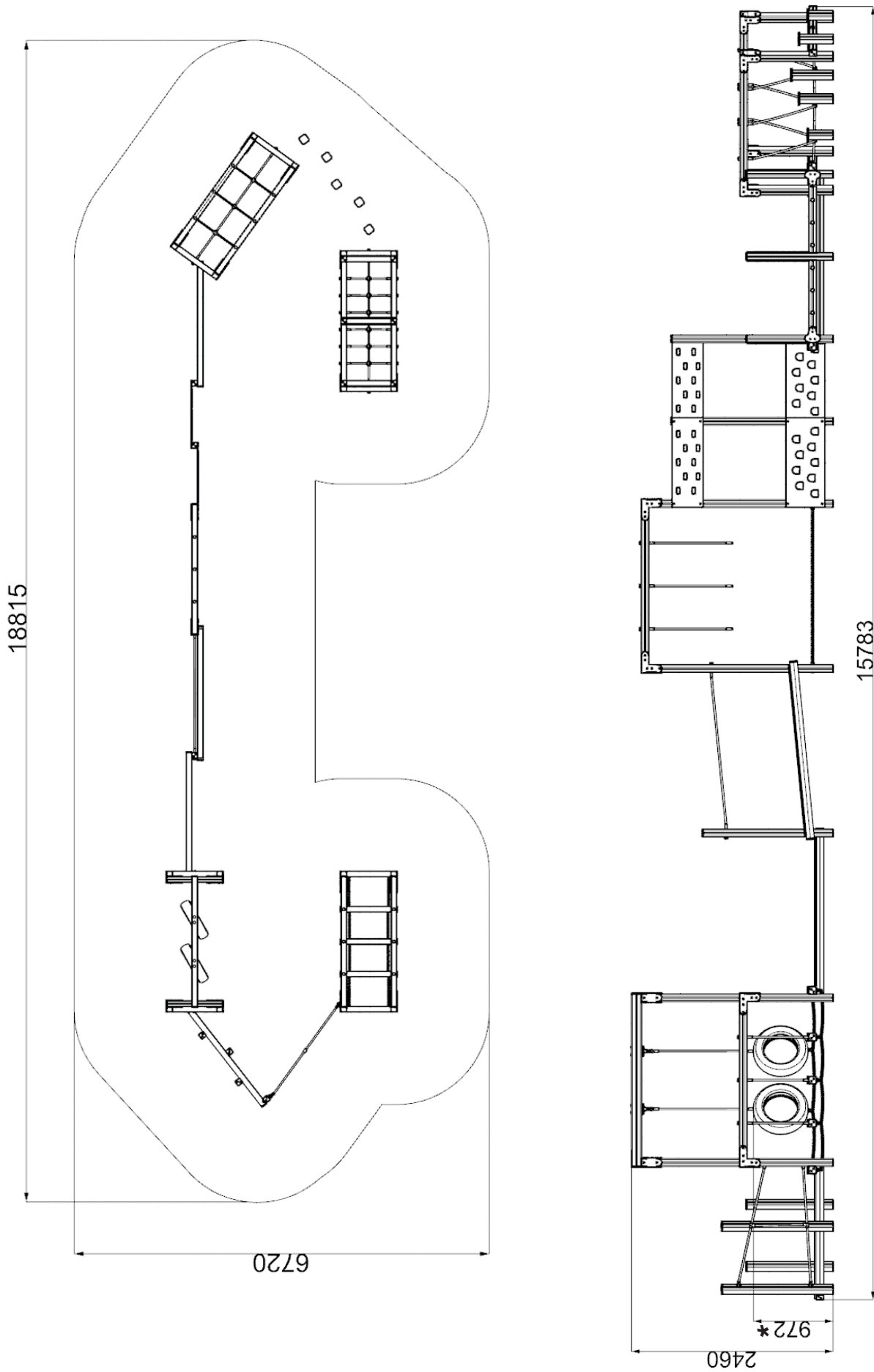
26

ATTACH TUNNEL ROPE

656.M12 / 102003-01



ADDITIONAL DIMENSIONS



*** MAX FALL HEIGHT**