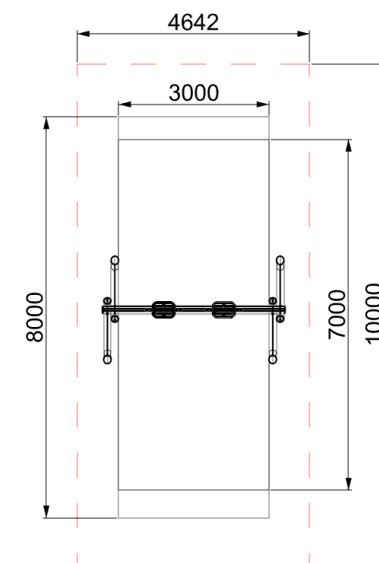
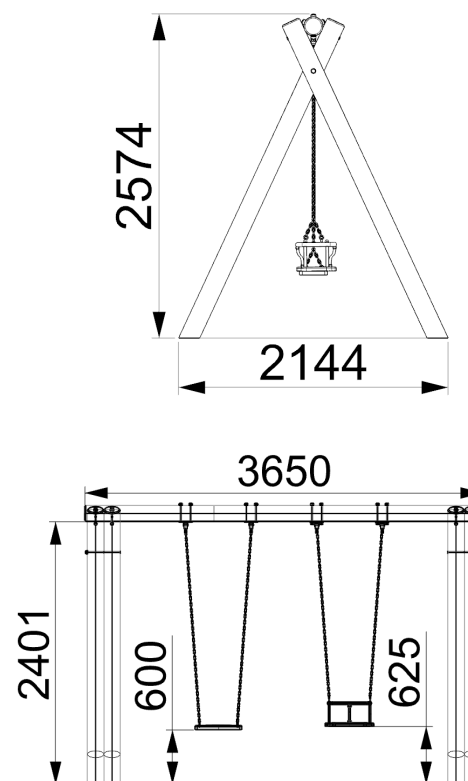


DOUBLE SWING ROUND (COMBI SEAT)

creative
play

S115-R



* Measurements in millimetres
- - - = Minimum area required
8000 Dimension for loose fill surfacing

PRODUCT INFORMATION

PRODUCT CODE

S115-R

DIMENSIONS LXWXH

3.6M X 2.1M X 2.5M

AGE RANGE

3+

SPARE PART AVAILABILITY

2-4 WEEKS

TECHNICAL INFORMATION

FREE FALL HEIGHT

1.5M

MINIMUM AREA

10M X 4.7M

MIN. SURFACING AREA

21 SQM

STANDARDS COMPLIANCE

BSEN1176

DOWNLOADS

PRODUCT WEBPAGE



MAINTENANCE INFORMATION



*Information correct at time of creation