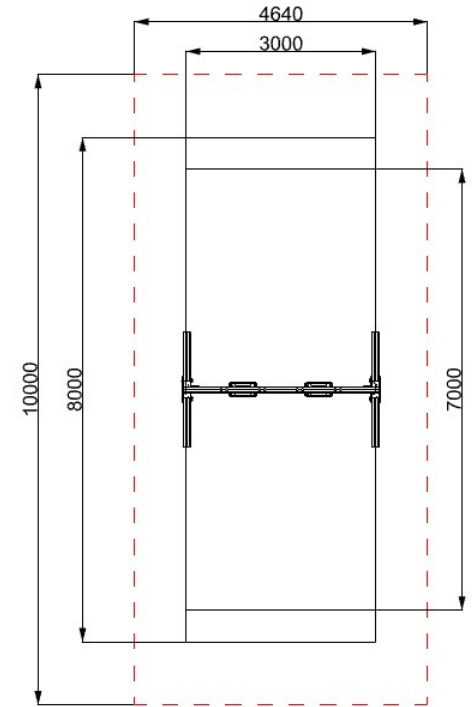
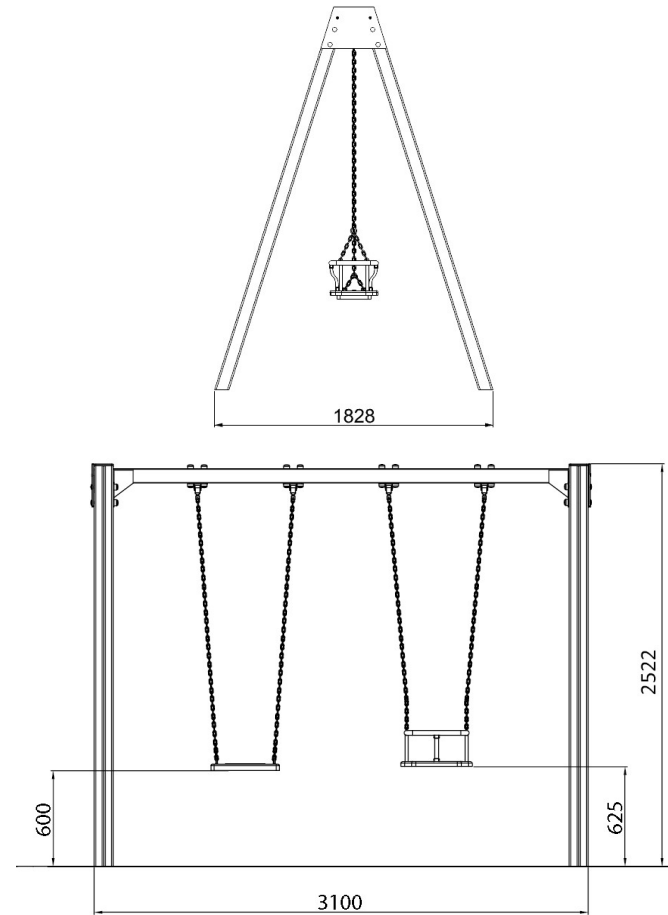
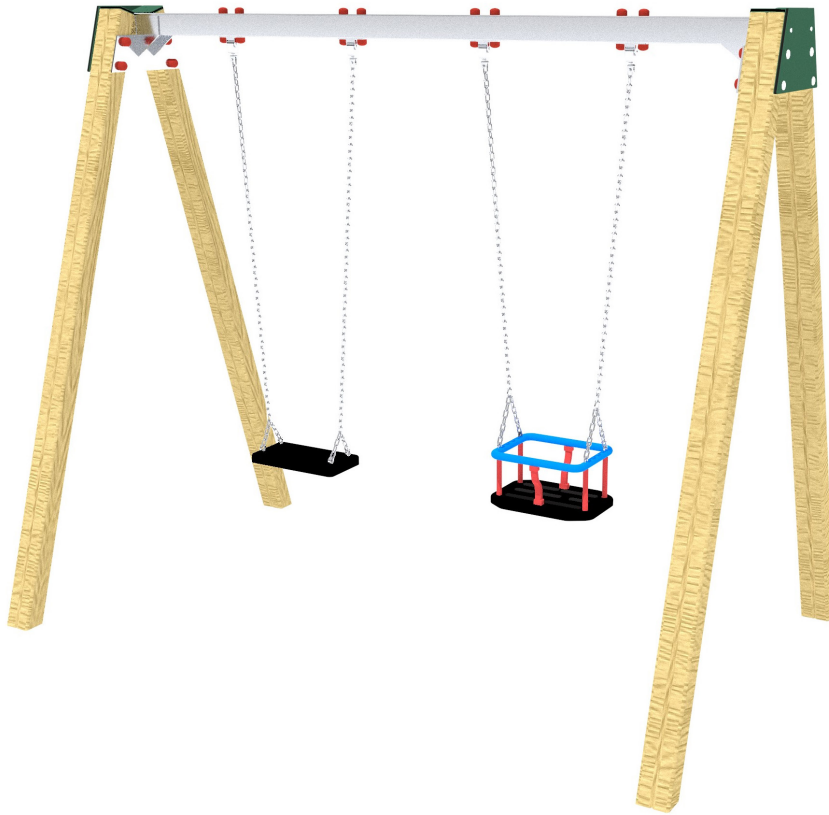


# DOUBLE SWING (COMBI SEAT)

**creative  
play**

S115



\* Measurements in millimetres  
 --- = Minimum area required  
 8000 Dimension for loose fill surfacing

## PRODUCT INFORMATION

PRODUCT CODE S115

DIMENSIONS LXWXH 3.1M X 1.8M X 2.5M

AGE RANGE 3+

SPARE PART AVAILABILITY 2-4 WEEKS

## TECHNICAL INFORMATION

FREE FALL HEIGHT 1.5M

MINIMUM AREA 10M X 4.6M

MIN. SURFACING AREA 21 SQM

STANDARDS COMPLIANCE BSEN1176

## DOWNLOADS

PRODUCT WEBPAGE 

MAINTENANCE INFORMATION 