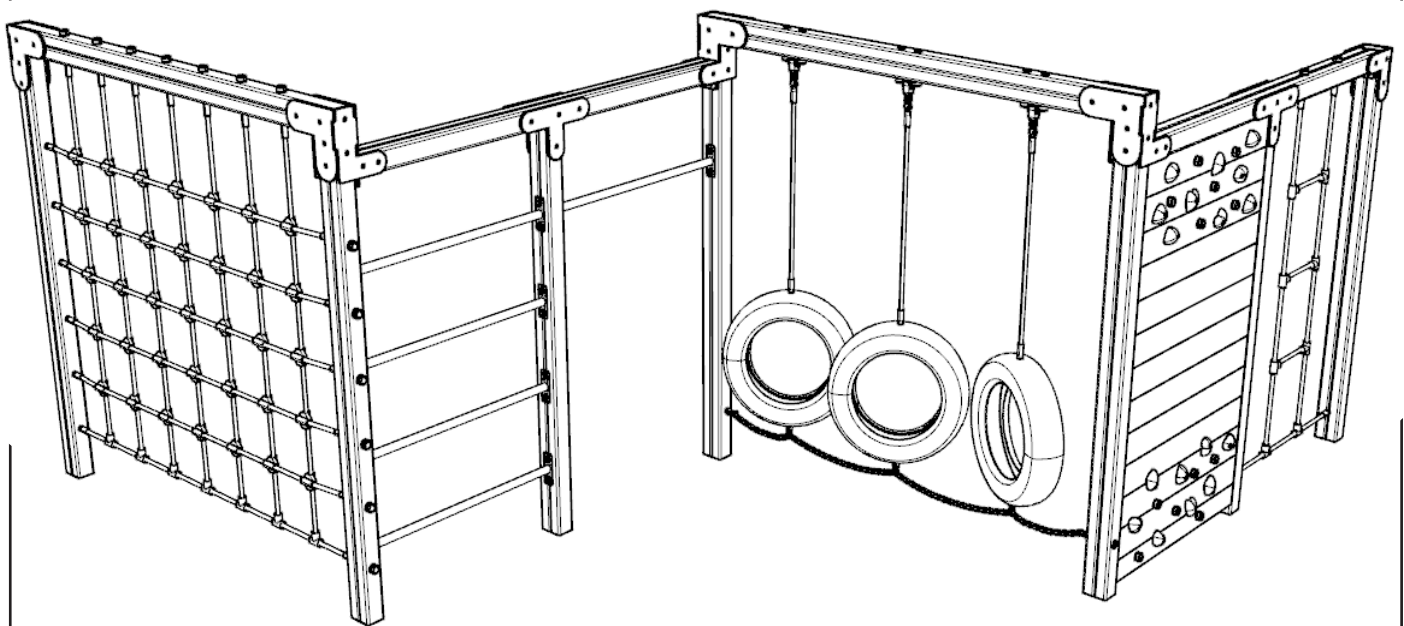


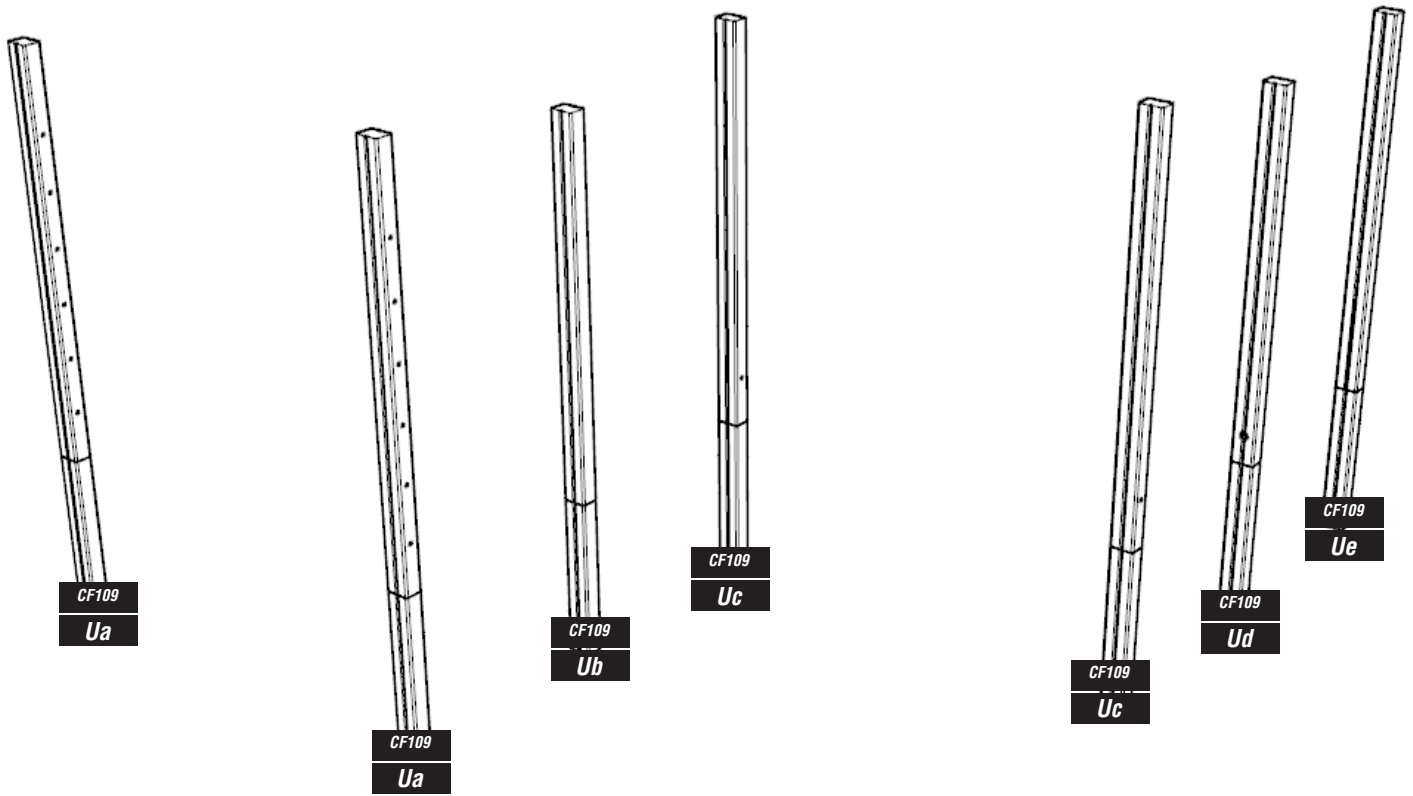
# **CF109 - ARUN CLIMBING FRAME**

## ***Installation Instructions***

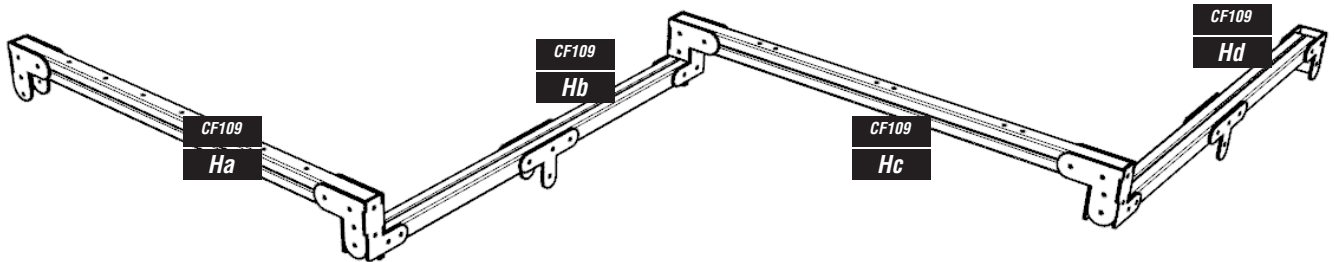
**creative  
play**



# PARTS REQUIRED



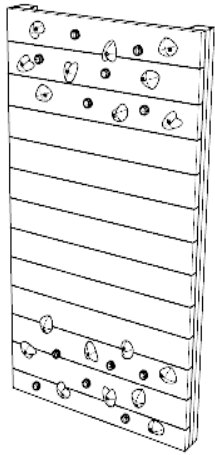
## UPRIGHT TIMBERS



*\*PLEASE NOTE CF106Hd INCLUDES THE SWING HANGERS  
ALL H TIMBERS ARE PRE-ASSEMBLED WITH PLAYTEC L's / T's (AS SHOWN ABOVE)*

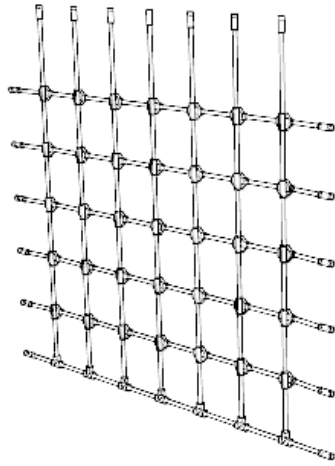
## HORIZONTAL TIMBERS

# PARTS REQUIRED



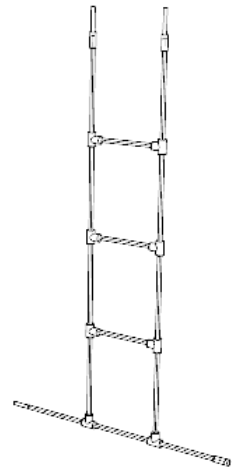
x1

**TIMBER CLIMBING WALL**



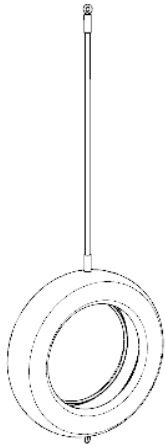
x1

**CARGO NET**



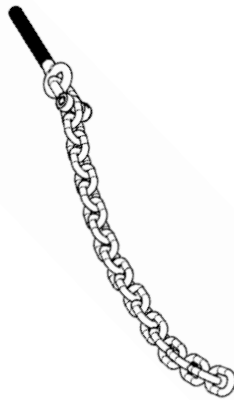
x1

**SINGLE LADDER**



x3

**TYRE**



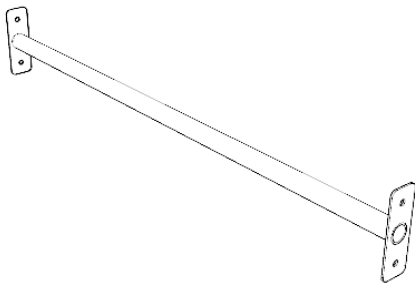
x2

**420MM TYRE CHAIN (EYEBOLT)**



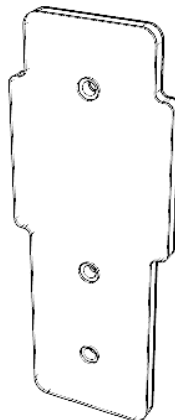
x2

**690MM TYRE CHAIN**



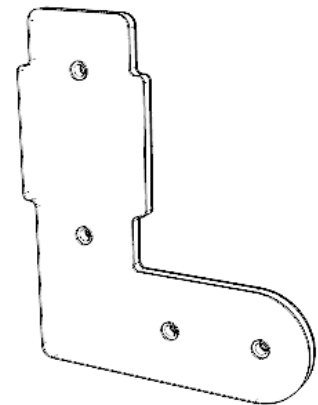
x5

**STANDARD BAR (1065MM)**



x1

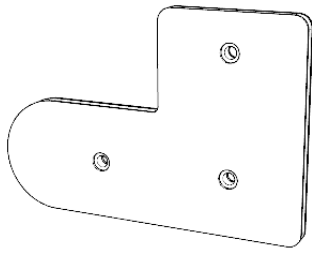
**PLAYTEC - BACK**



x3

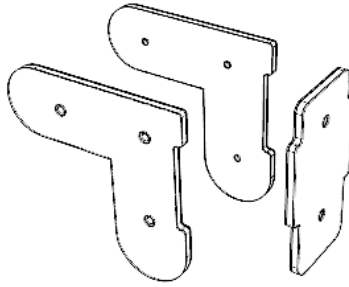
**PLAYTEC L - RIGHT**

# PARTS REQUIRED



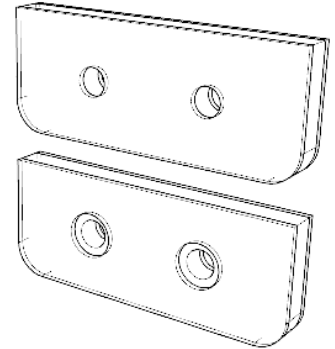
x3

**PLAYTEC - SHORT L (LEFT)**



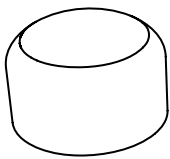
x1 (SET)

**PLAYTEC 'SPECIAL L' SET**



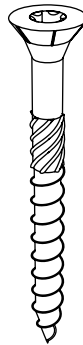
x4 (PAIRS)

**PLAYTEC - UNDER BRACKETS**



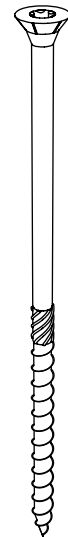
x20

**102001-0 - M8**



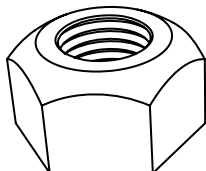
x85

**97.M8X80CSK**



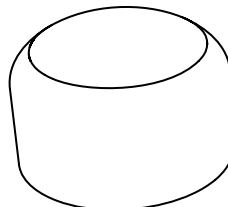
x12

**97.M8X180CSK**



x25

**656.M12**

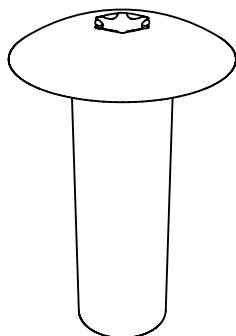


x25

**102003-01 - M12**

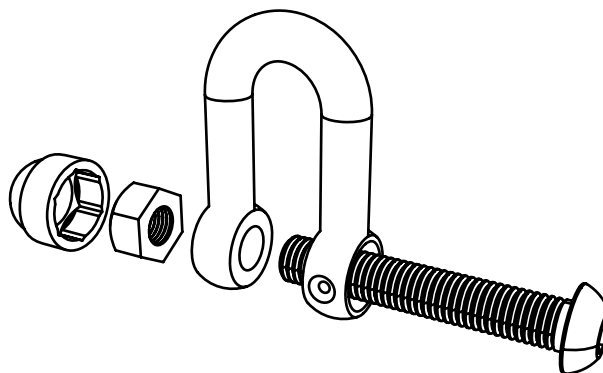
# ***PARTS REQUIRED***

---



**x3**

**M12 SOCKET NUT (50MM)**

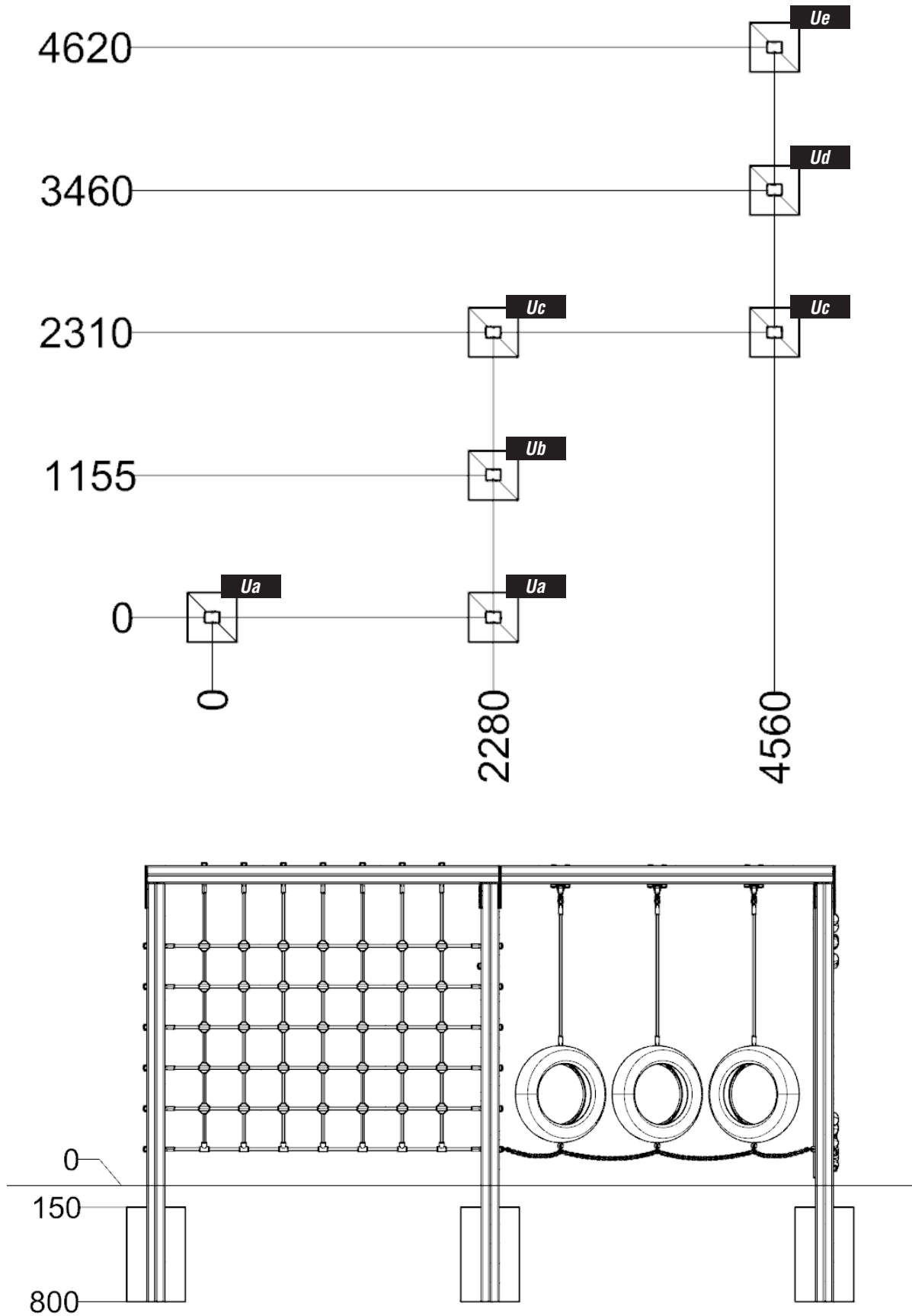


**CONSISTS OF  
SHACKLE / BOLT / NYLOC / CAP**

**x10**

**349.742.D-SHACKLE 'SET' (inc 2 spares)**

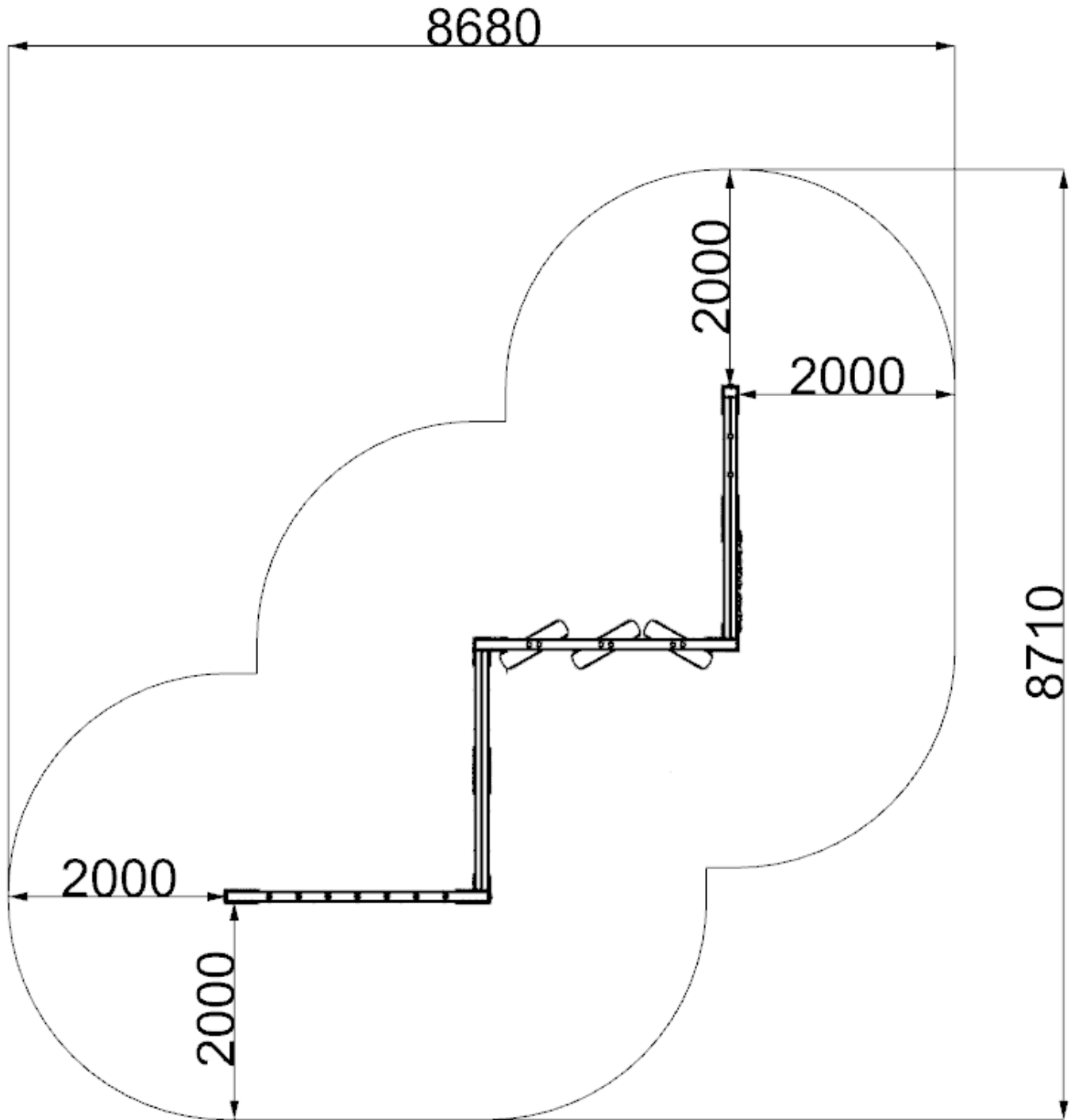
# FOUNDATION DETAILS



# ***SURFACING DETAILS***

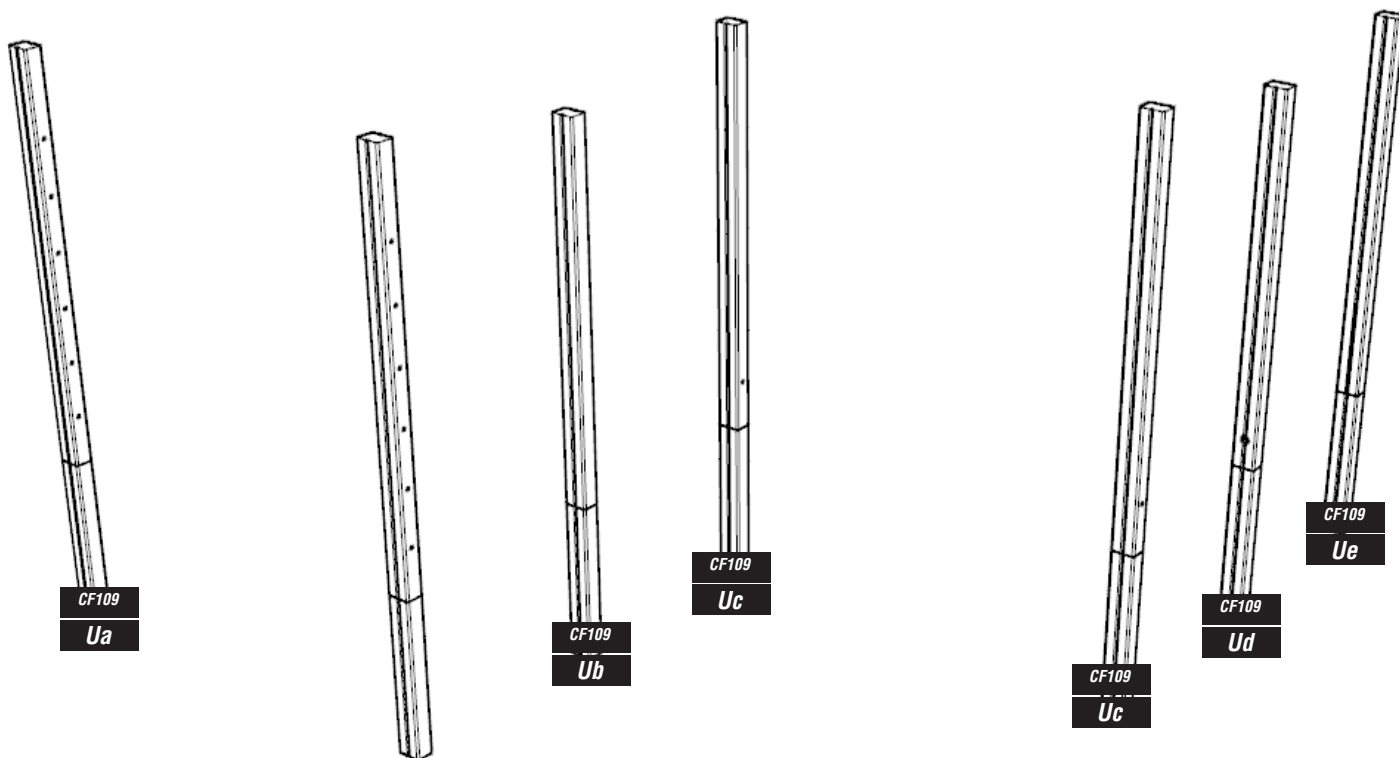
---

- - - - - = MINIMUM SPACE***
- = OVERALL AREA***

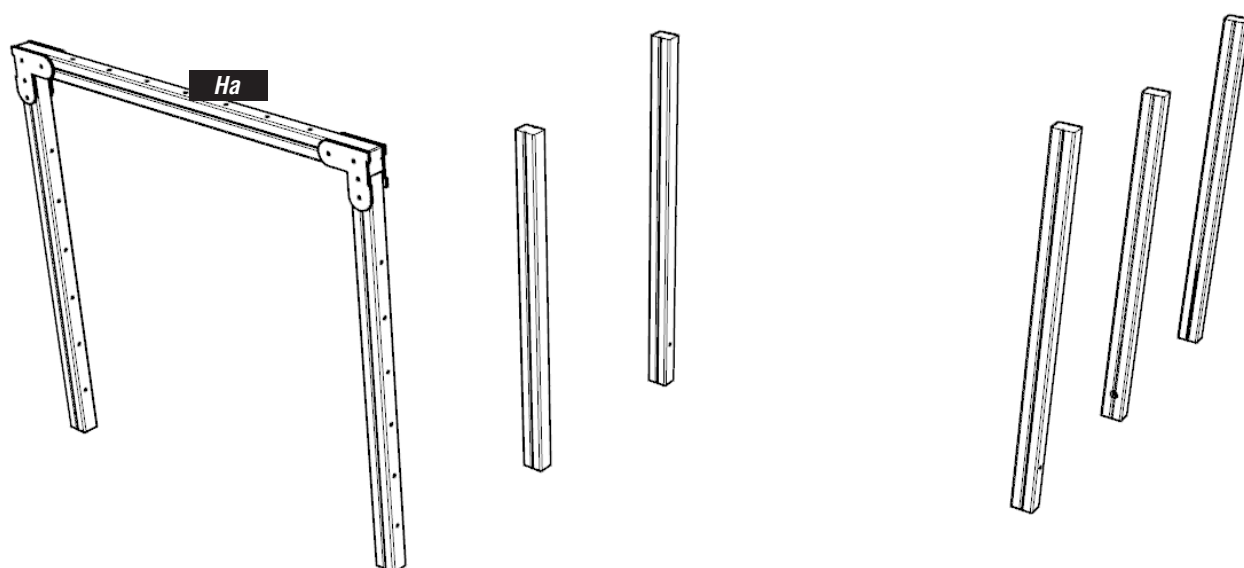


# INSTALLATION INSTRUCTIONS

## 1 POSITION THE UPRIGHT TIMBERS FOLLOWING FOUNDATION DETAILS



## 2 ATTACH TIMBER Ha USING 8X80 WOOD SCREWS





# INSTALLATION INSTRUCTIONS

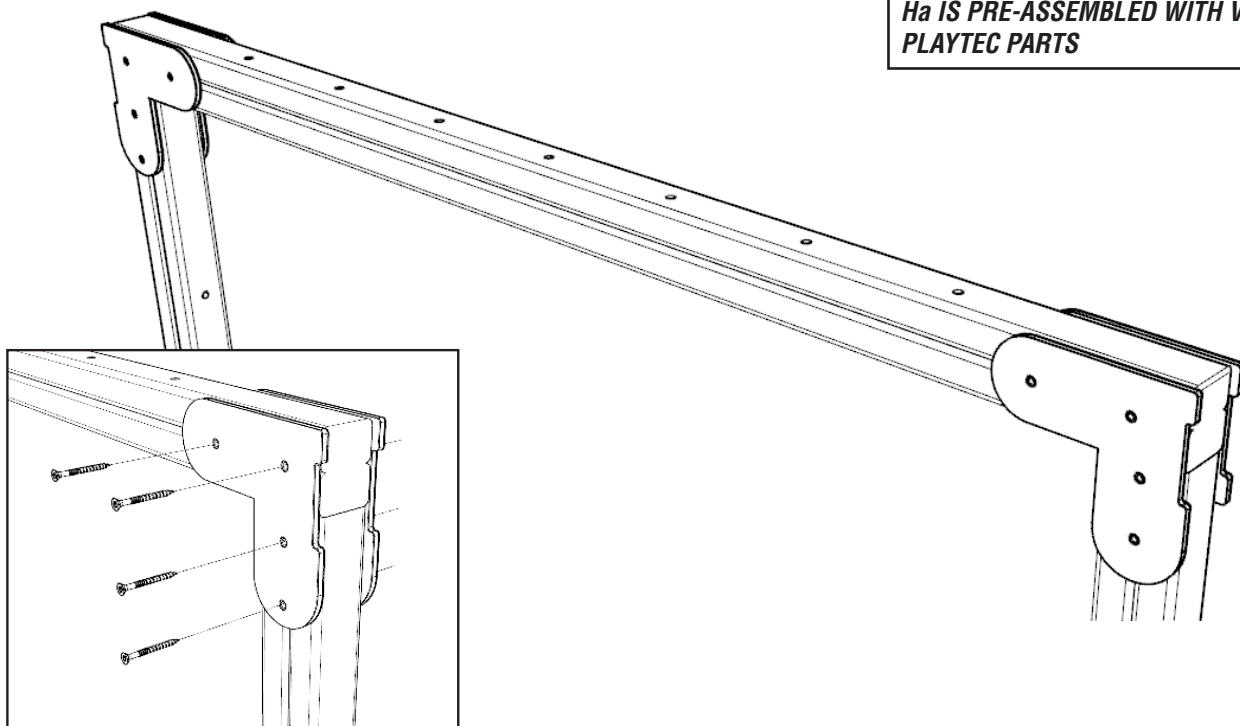
**3**

**ENSURE BRACKETS ARE POSITIONED AS SHOWN BELOW**

**TAKE CARE THAT SCREWS DO NOT 'CROSS'**

**NOTES:**

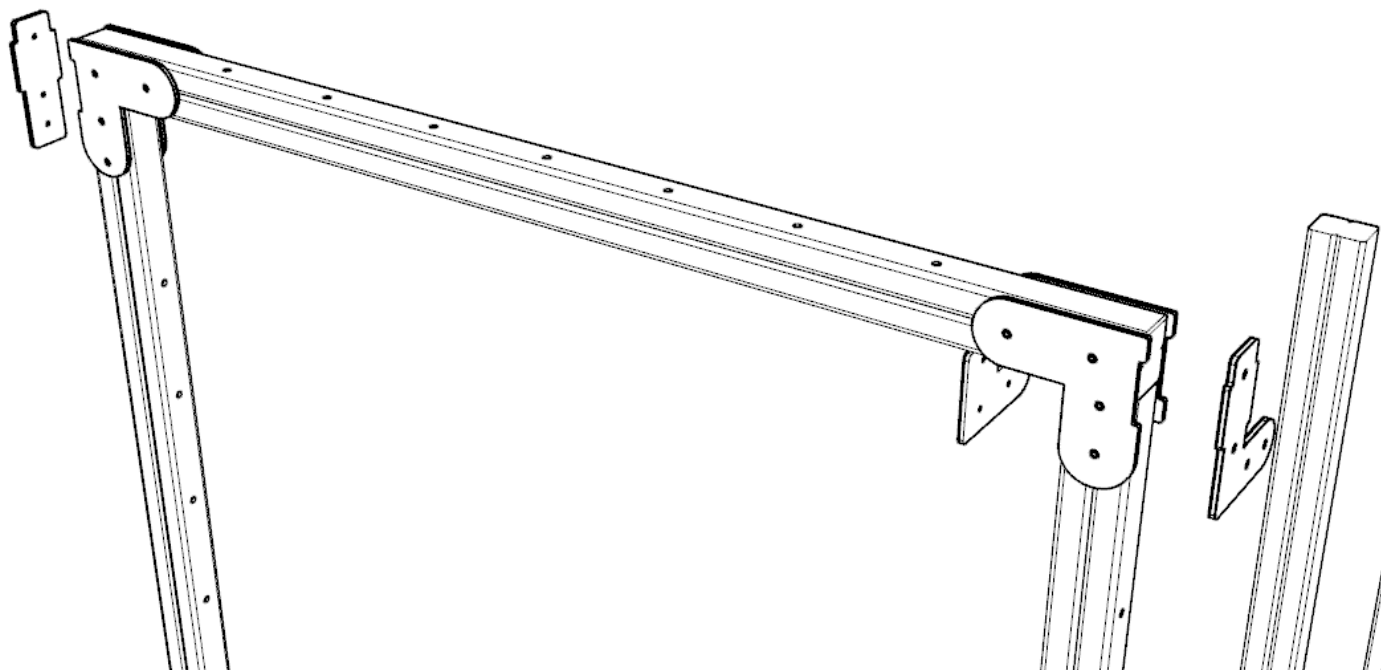
*Ha IS PRE-ASSEMBLED WITH VARIOUS PLAYTEC PARTS*



**4**

**ATTACH PLAYTEC - BACK, SHORT L (LEFT) & L (RIGHT)**

**USING 8X80 WOOD SCREWS, ENSURE COUNTERSINKS ARE ON THE OUTSIDE**

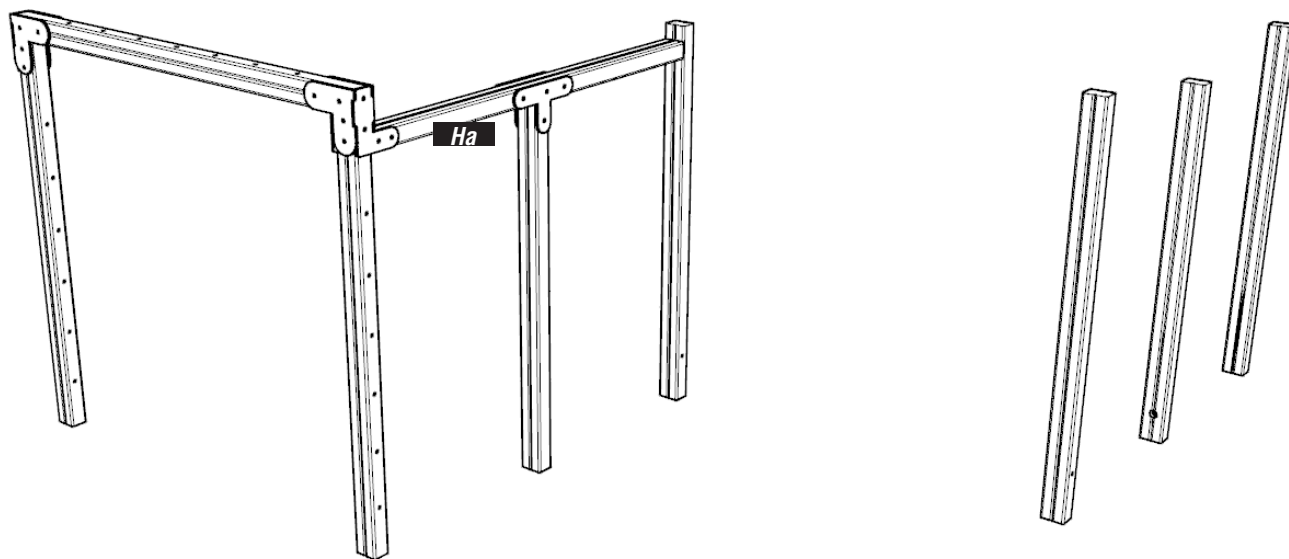


# INSTALLATION INSTRUCTIONS

---

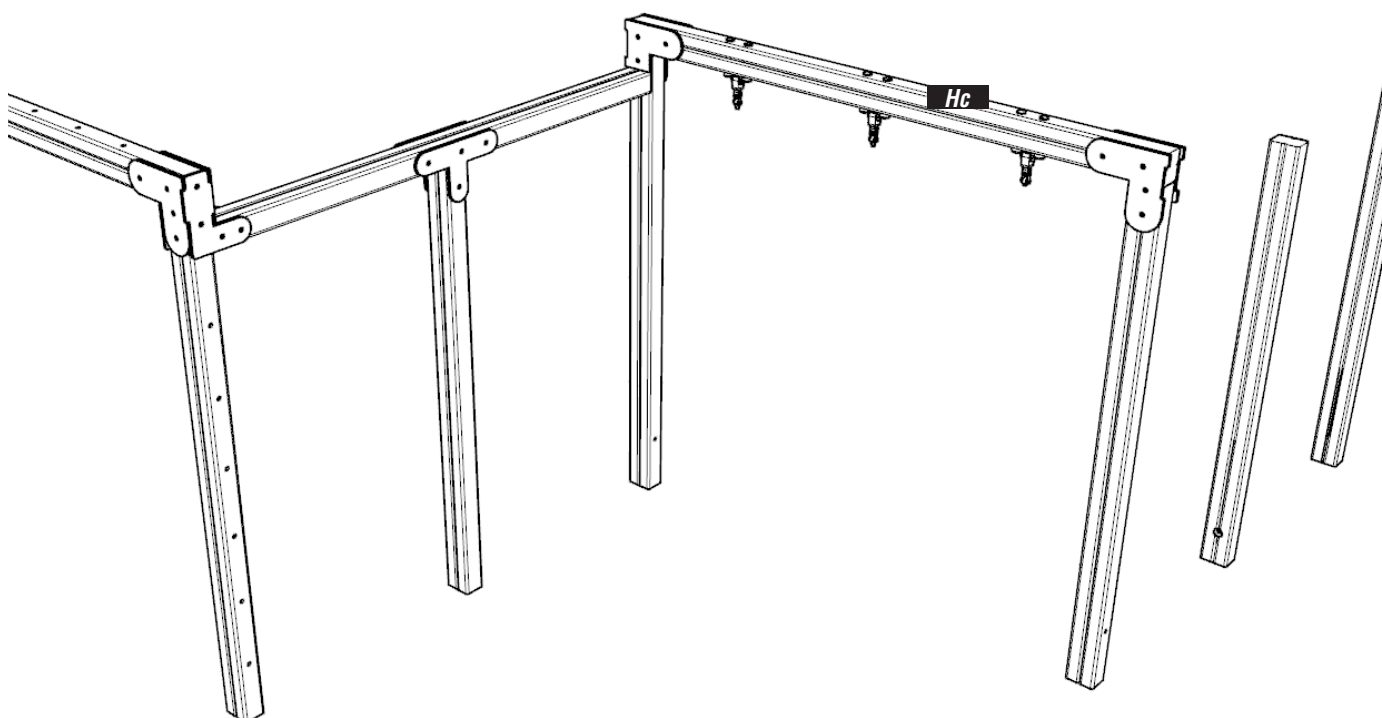
**5**

**ATTACH TIMBER Hb**  
USING 8X80 WOOD SCREWS



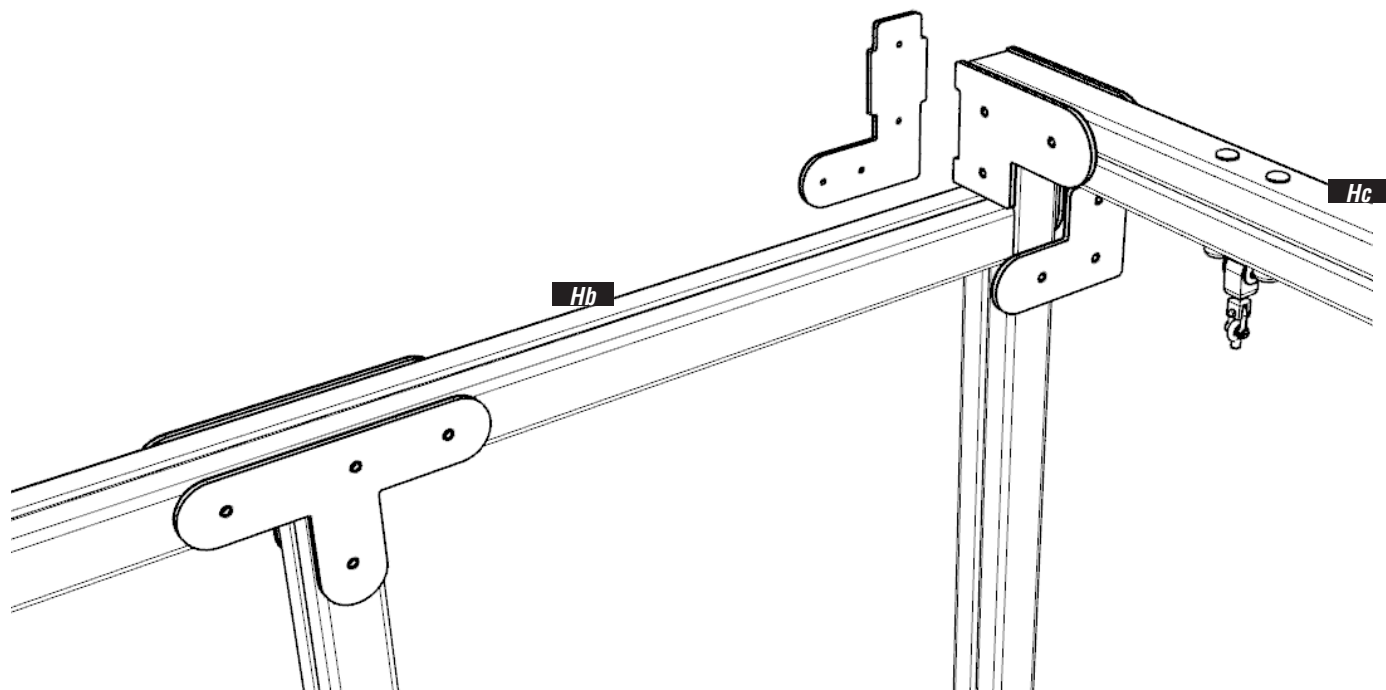
**6**

**ATTACH TIMBER Hc**  
USING 8X80 WOOD SCREWS

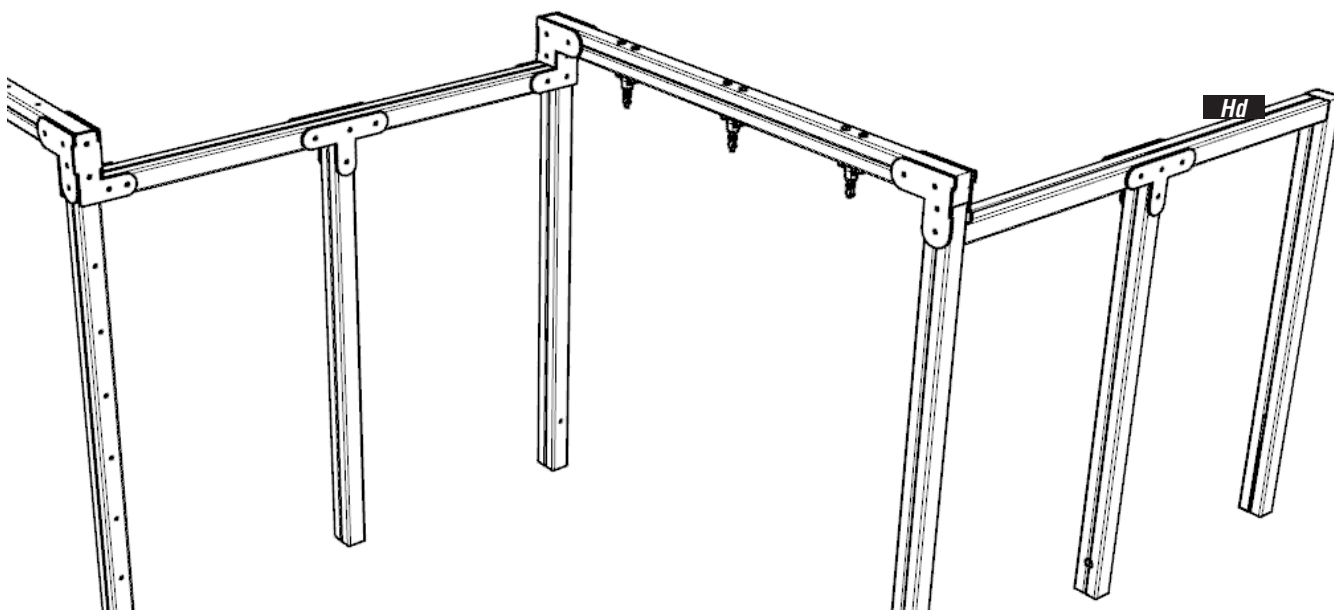


# INSTALLATION INSTRUCTIONS

- 7** ATTACH PLAYTEC - L (RIGHT), SHORT L (LEFT)  
USING 8X80 WOOD SCREWS



- 8** ATTACH Hd TIMBER  
USING 8X80 WOOD SCREWS

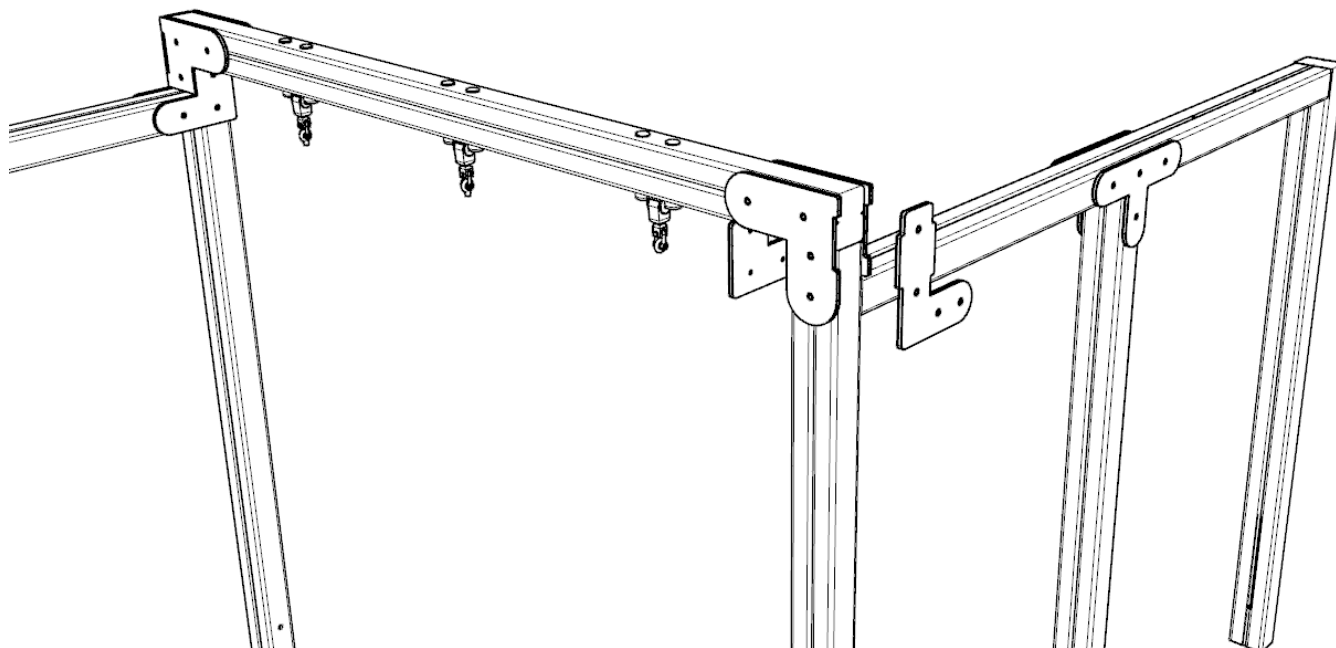


# INSTALLATION INSTRUCTIONS

**9**

**ATTACH PLAYTEC - L (RIGHT), SHORT L (LEFT)**

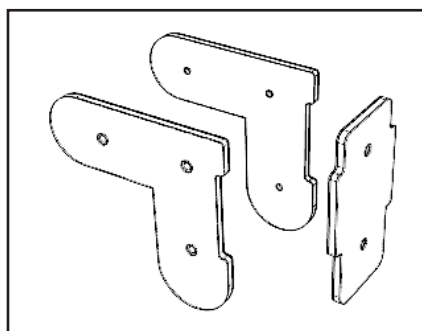
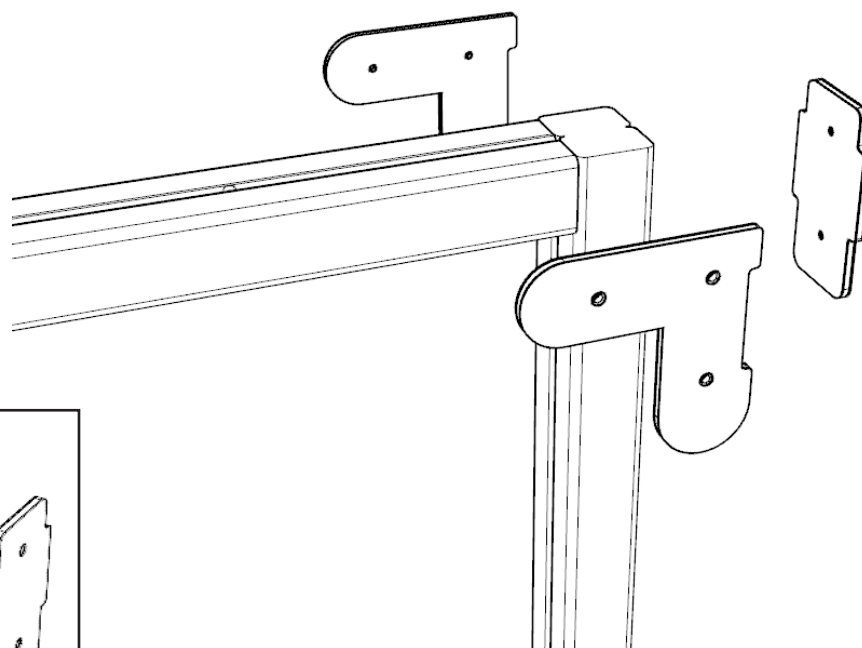
USING 8X80 WOOD SCREWS



**10**

**ATTACH PLAYTEC 'SPECIAL L' SET**

USING 8X80 WOOD SCREWS

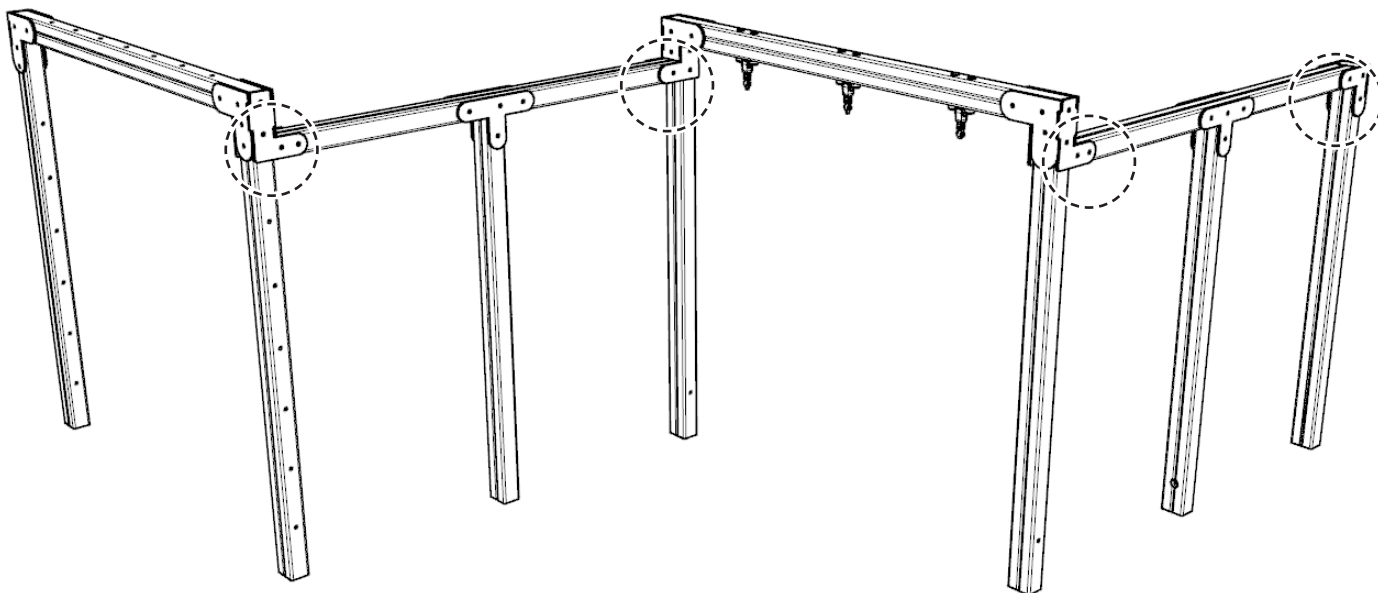


# INSTALLATION INSTRUCTIONS

**11**

## MAIN ASSEMBLY COMPLETE

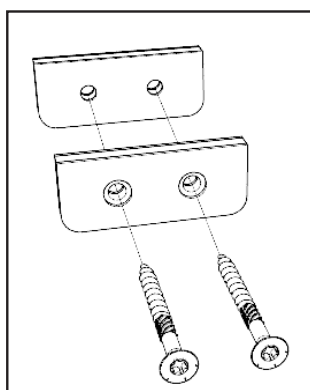
ENSURE ALL FIXINGS HAVE BEEN INSTALLED - ALL COUNTERSUNK PLAYTEC PIECES SCREWED



**12**

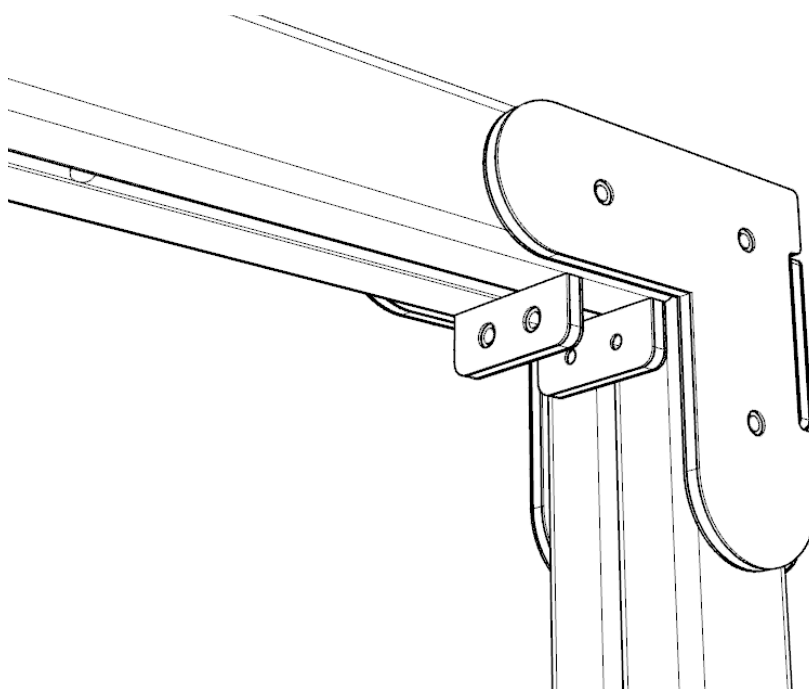
## ATTACH PLAYTEC - UNDER BRACKETS

USING 8X80 WOOD SCREWS, ASSEMBLE UNDERBRACKETS AS SHOWN TO RIGHT



### NOTES:

ADDITIONAL UNDER BRACKETS  
POSITIONED Hb & Hd

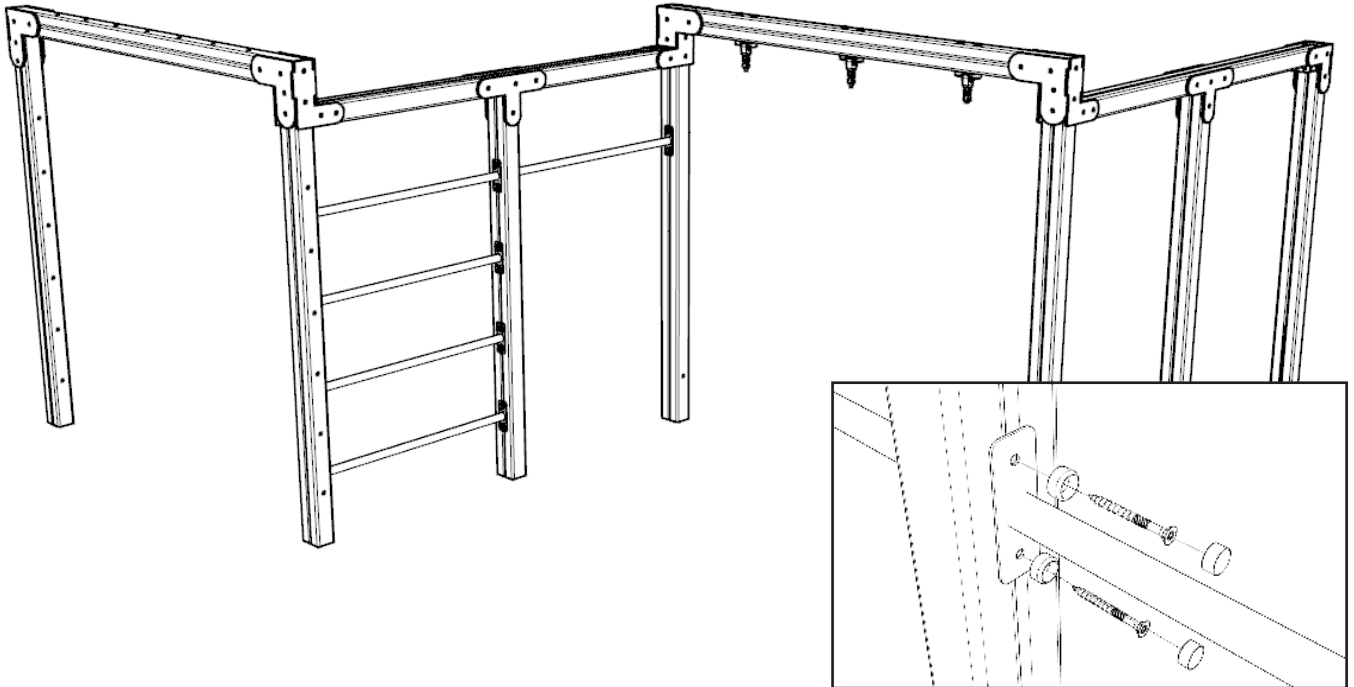


# INSTALLATION INSTRUCTIONS

**13**

## ATTACH STANDARD BARS

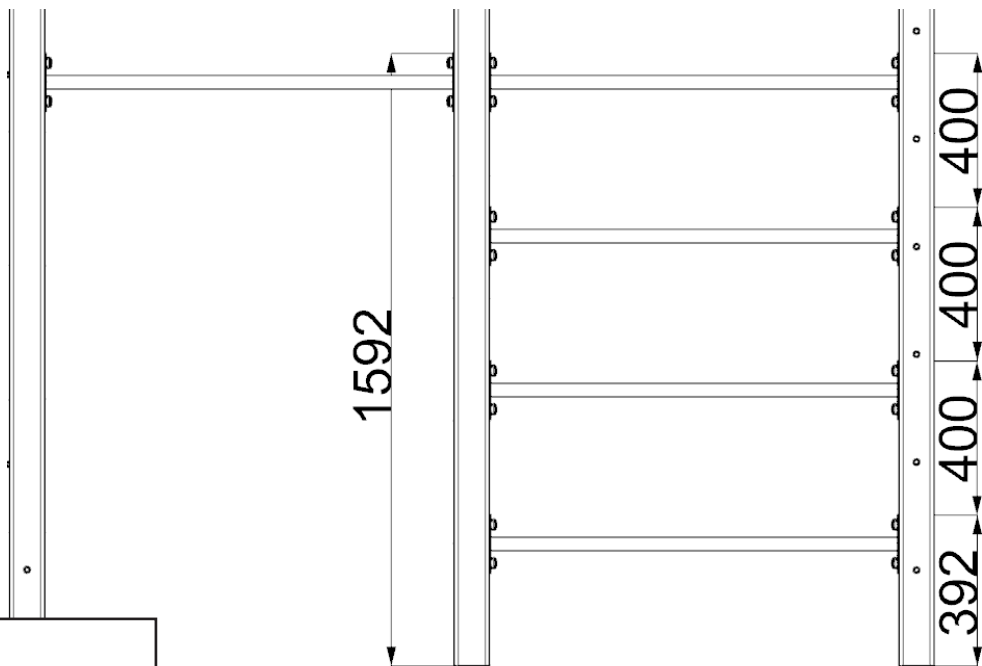
USING 8X80 WOOD SCREWS/ 102003-01



**14**

## PLEASE ENSURE

SPACING BETWEEN BARS IS AS SHOWN BELOW



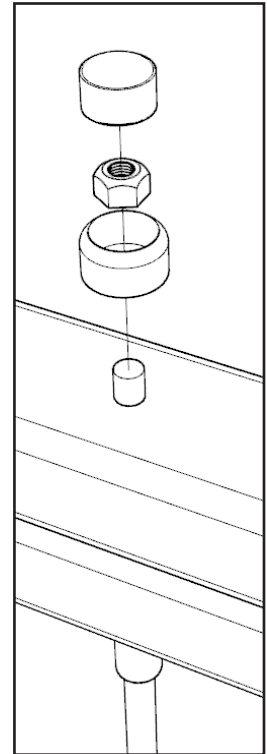
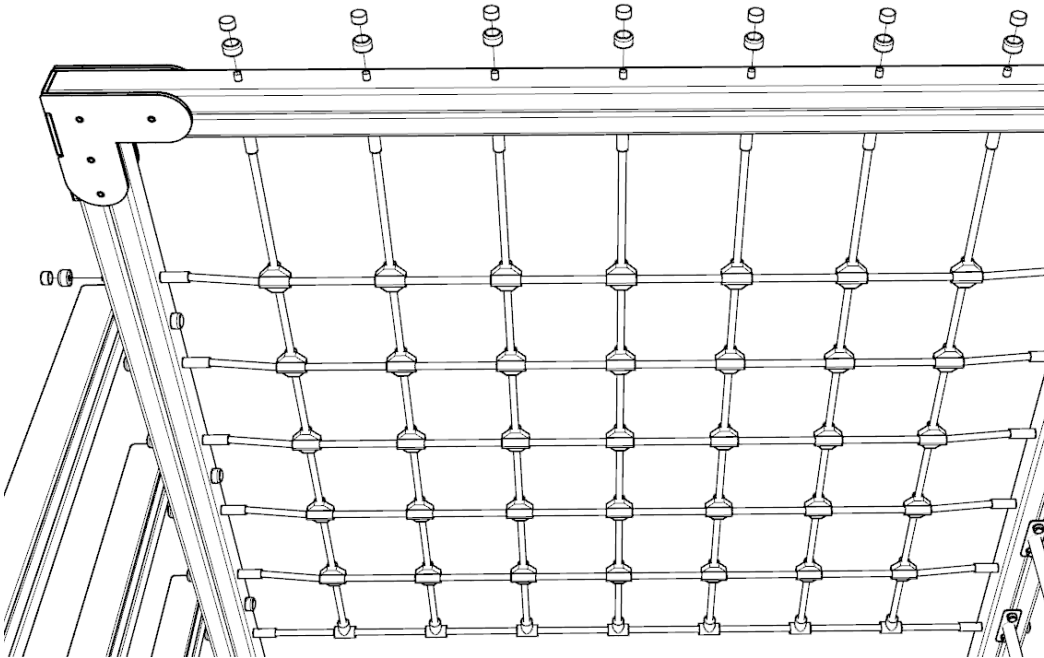
### NOTES:

SPACE BARS ACCORDING TO DIMENSIONS (SEE NEXT STEP)

# INSTALLATION INSTRUCTIONS

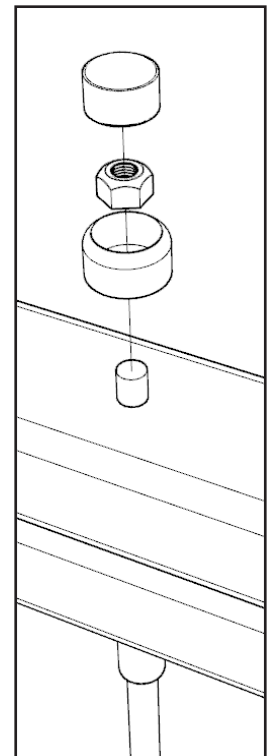
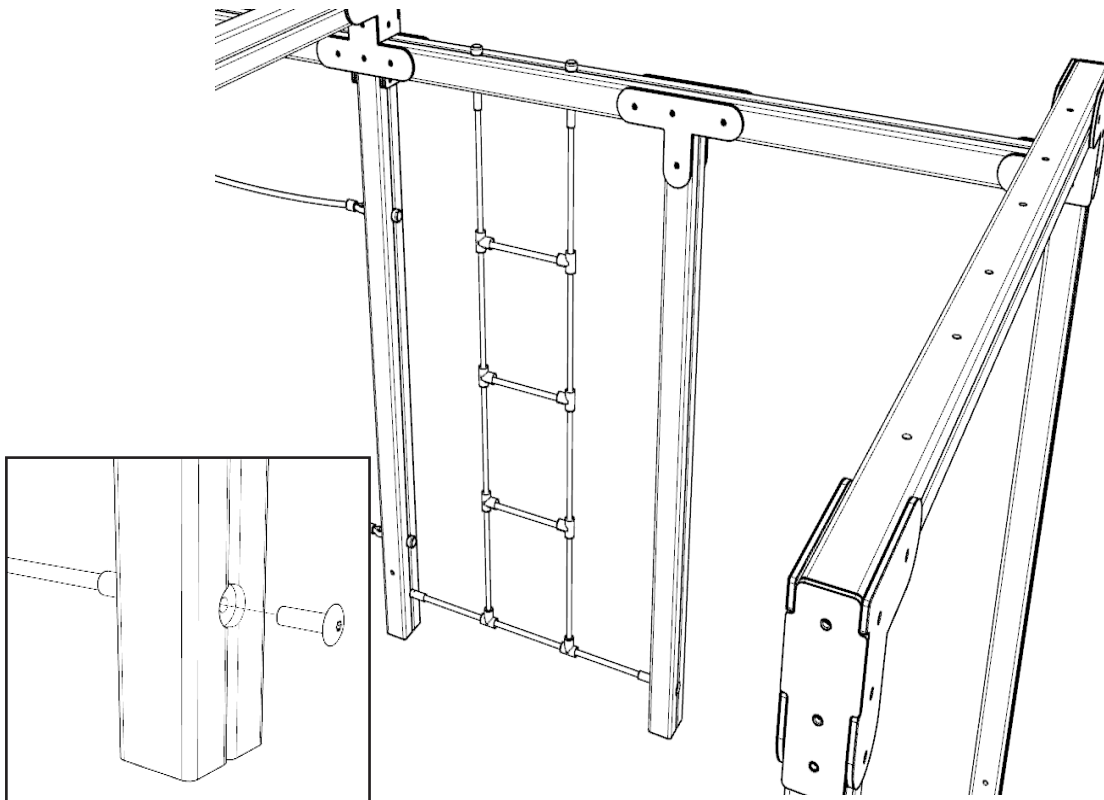
**15**

**ATTACH CARGO NET**  
USING 656.M12 / 102003-01



**16**

**ATTACH SINGLE ROPE LADDER**  
USING 656.M12 / 102003-01 & M12 X 50MM SOCKET NUT

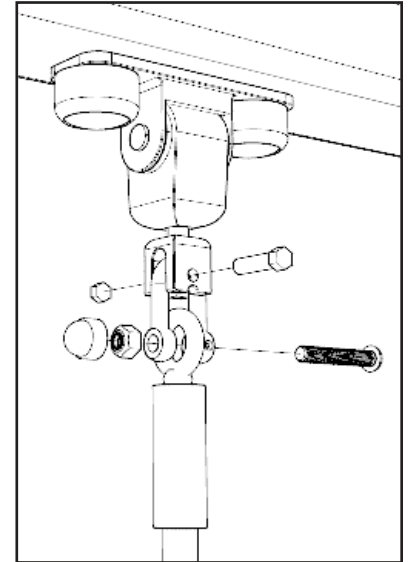
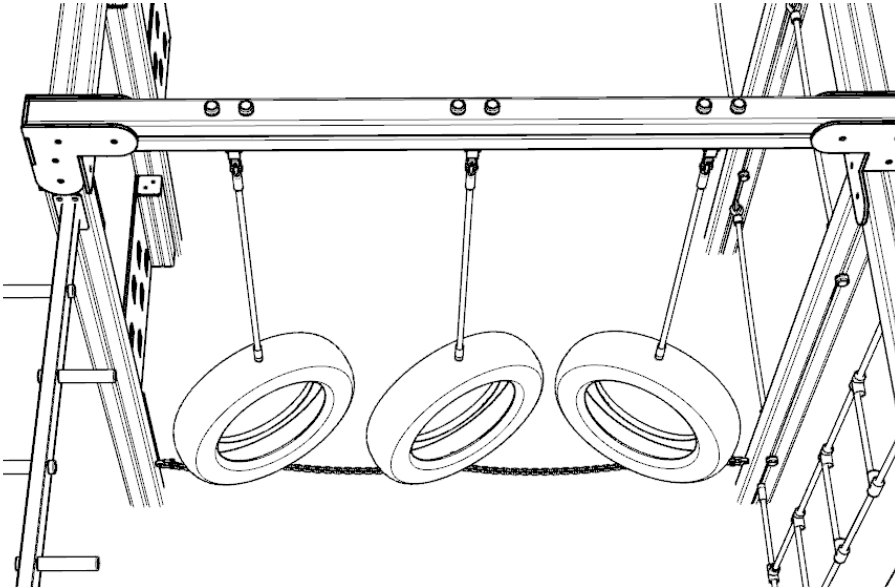


# INSTALLATION INSTRUCTIONS

**17**

## ATTACH TYRES

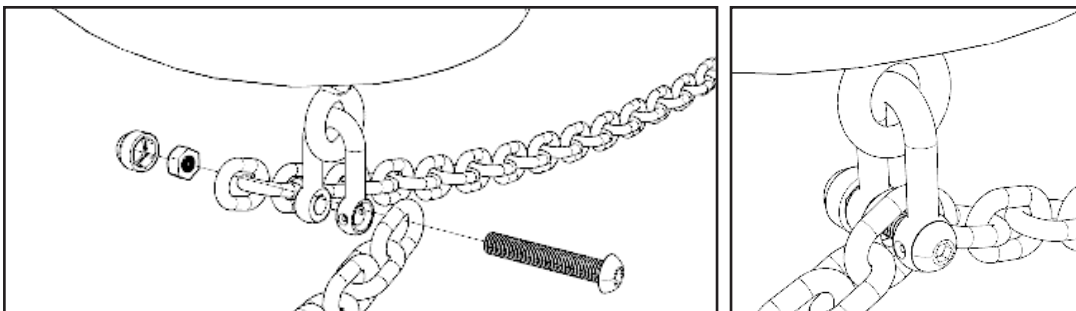
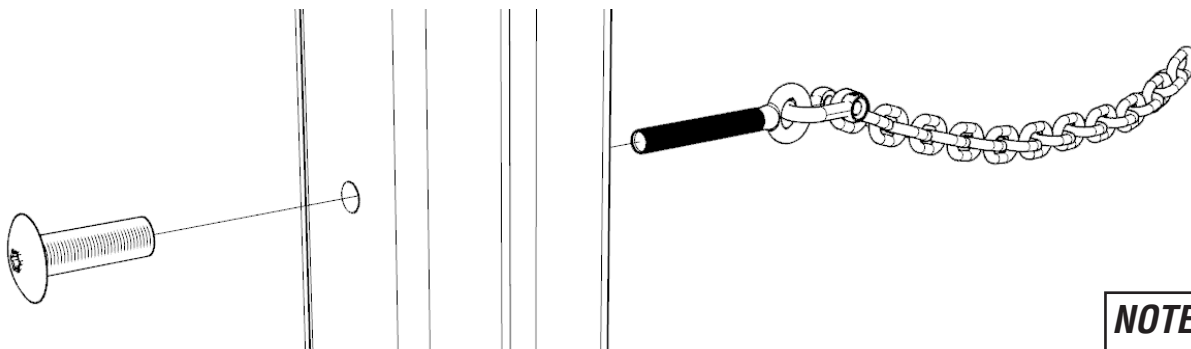
USING D - SHACKLE SETS AS SHOWN



**18**

## ATTACH TYRE CHAINS

USING M12 X 50MM SOCKET NUT ON EYEBOLT CHAINS & D - SHACKLE SETS ON MIDDLE CHAINS



### NOTES:

REPEAT EYEBOLT CHAIN ON BOTH SIDES

ATTACH MIDDLE CHAINS TO TYRES AS SHOWN

ENSURE CHAIN IS POSITION ON INSIDE OF D - RING

REMOVE LINKS IF NECESSARY



# INSTALLATION INSTRUCTIONS

**19**

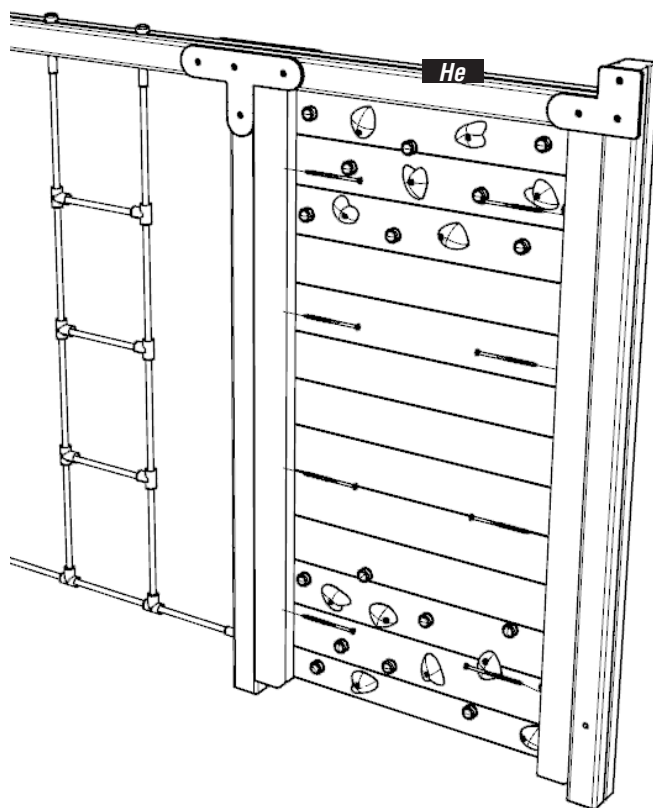
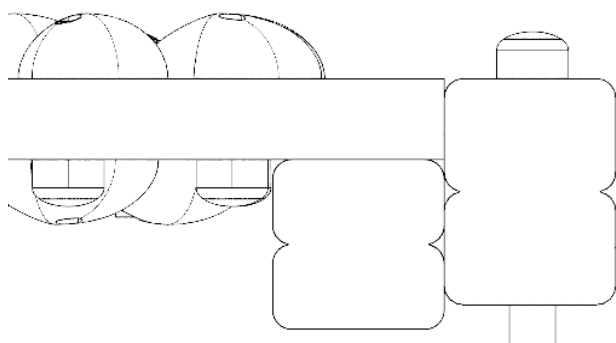
## ATTACH TIMBER CLIMBING WALL

USING 8X180 WOOD SCREWS SPACED EQUALLY AS SHOWN

**NOTES:**

ENSURE OUTER WALL IS FLUSH WITH OUTER TIMBER

BUTT WALL TO TOP OF HORIZONTAL TIMBER



# ***ADDITIONAL DIMENSIONS***

---

