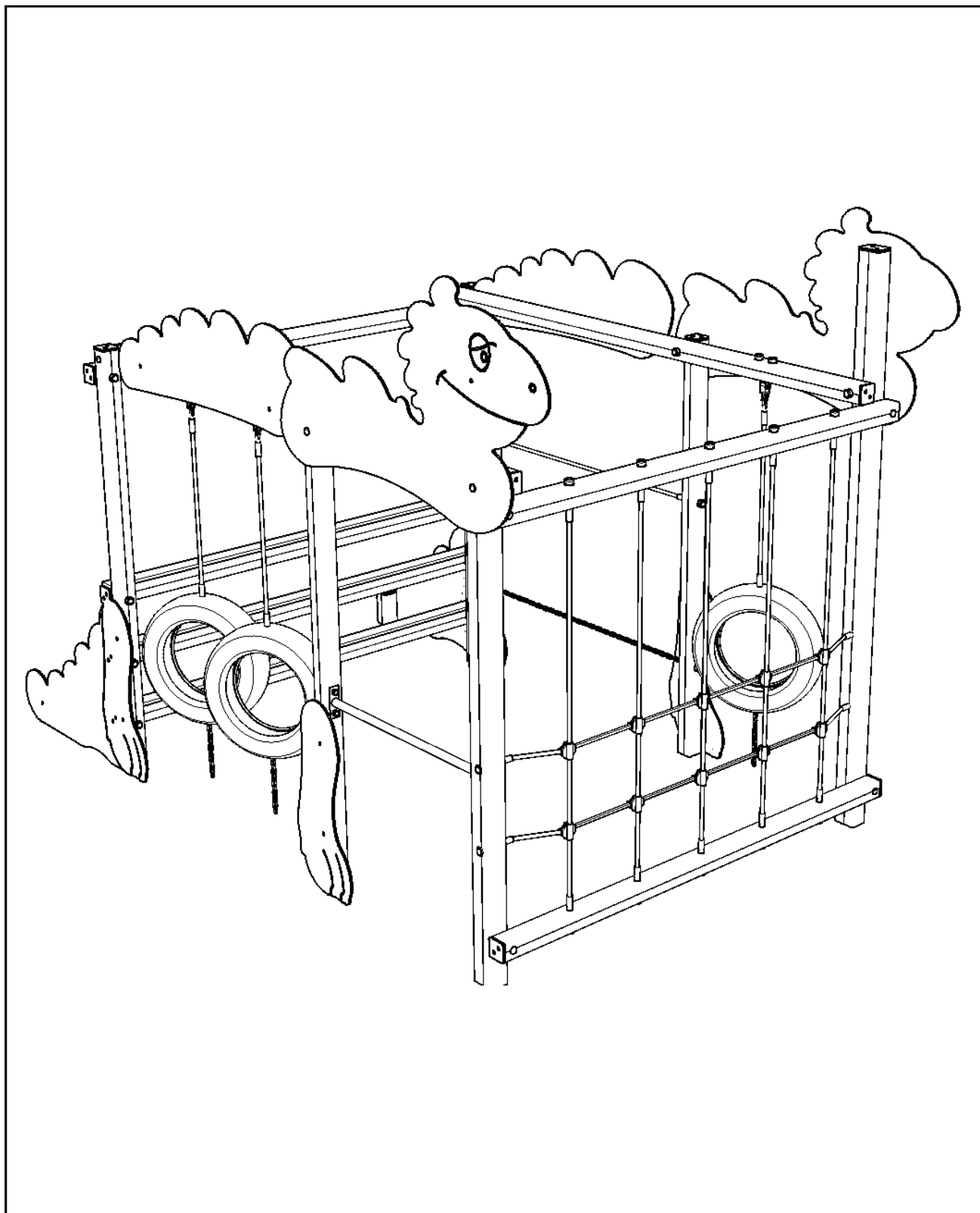


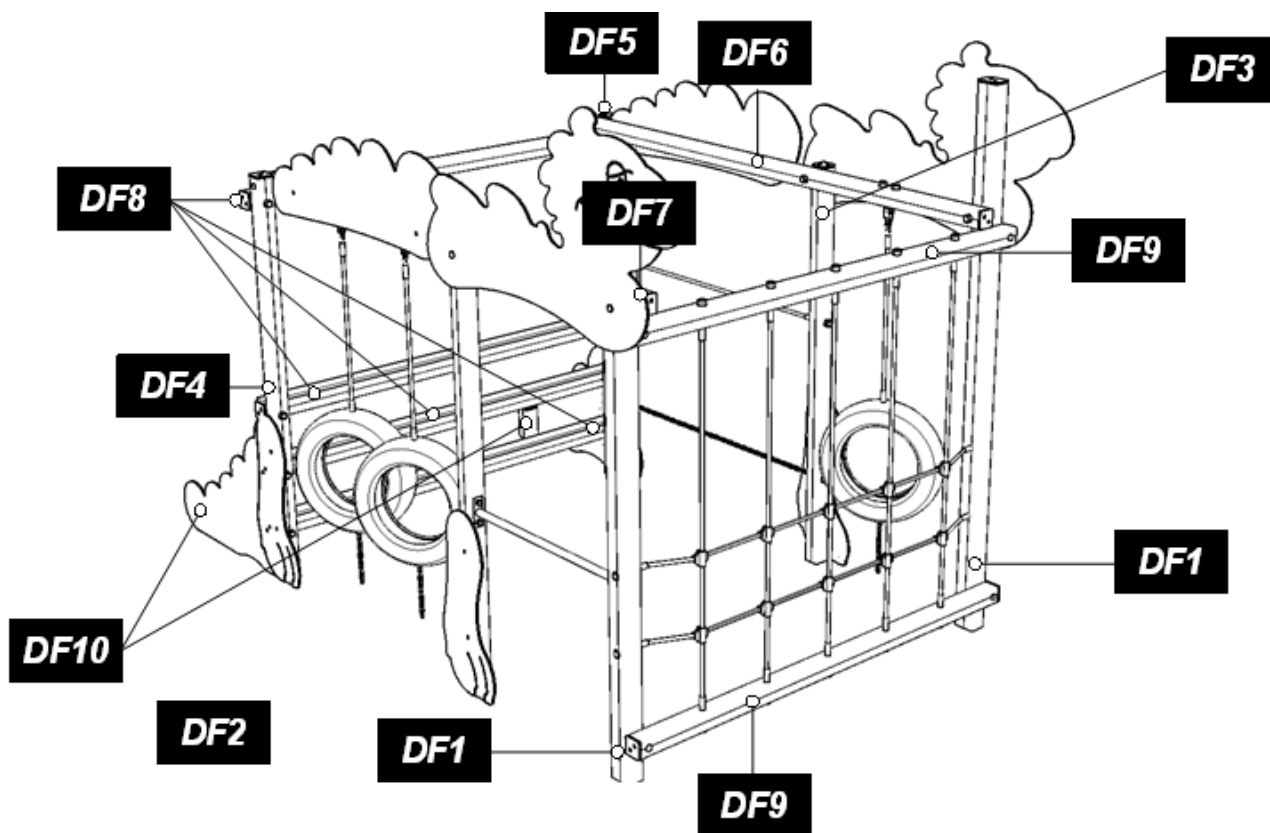
DINO CLIMBING FRAME

Installation Instructions

**creative
play**



Parts required



DF1 QTY x 2
(120mm x 90mm) 3600mm

DF2 QTY x 1
(90mm x 90mm) 300mm

DF3 QTY x 1
(90mm x 90mm) 3000mm

DF4 QTY x 1
(90mm x 90mm) 3000mm

DF5 QTY x 1
(120mm x 90mm) 3000mm

DF6 QTY x 1
(90mm x 90mm) 3000mm
Including swing hanger

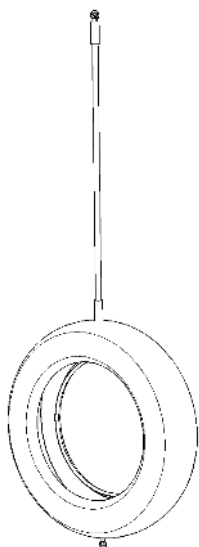
DF7 QTY x 1
(90mm x 90mm) 3000mm
Including 2 swing hangers

DF8 QTY x 4
(90mm x 90mm) 2400mm

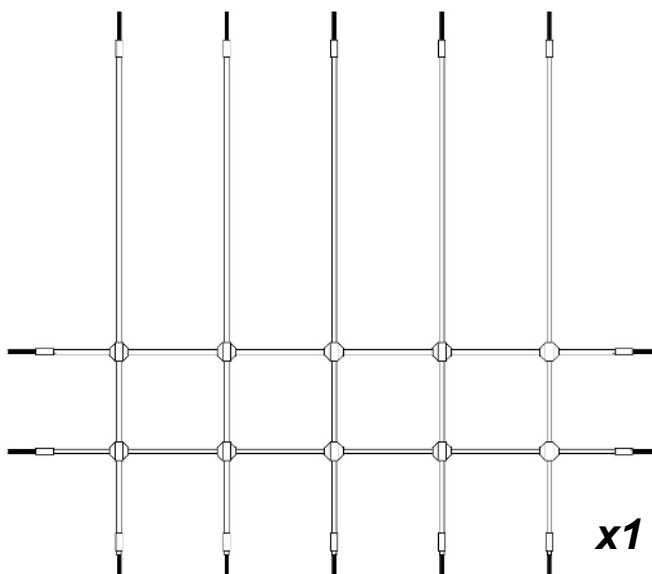
DF9 QTY x 2
(90mm x 90mm) 2400mm

DF10 QTY x 2
(90mm x 90mm) 600mm

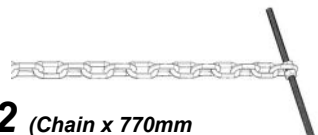
Parts required



X3 (PRE-ASSEMBLED TYRE ROPE)



X1 (NET)



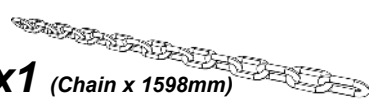
X2 (Chain x 770mm
Inc. thread bar /nylocs)



X1 (1015 STANDARD BAR)



X1 (1685mm ROPE)

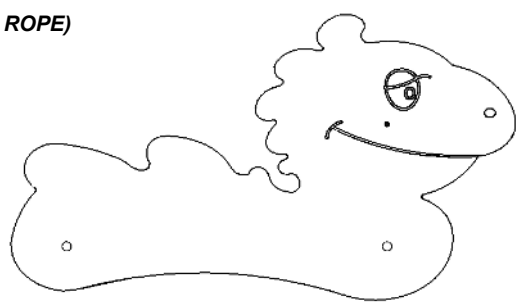


X1 (Chain x 1598mm)



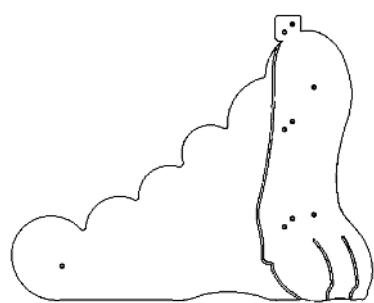
X1 (LEFT)

X1 (RIGHT)



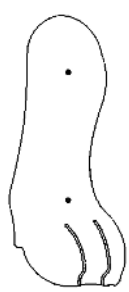
X1 (LEFT)

X1 (RIGHT)



X1 (LEFT)

X1 (RIGHT)



X1 (LEFT)

X1 (RIGHT)

Parts required



14x (M12 x 200 square hex bolt)

4x (M12 x 230 square hex bolt)

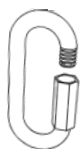
6x (M12 x 120 square hex bolt)



32x (FM80 'BRASS SCREW')



2x (EYEBOLT x 130mm)



8x (QUICKLINK)



34x (end caps)



34x (M12 NYLOC)



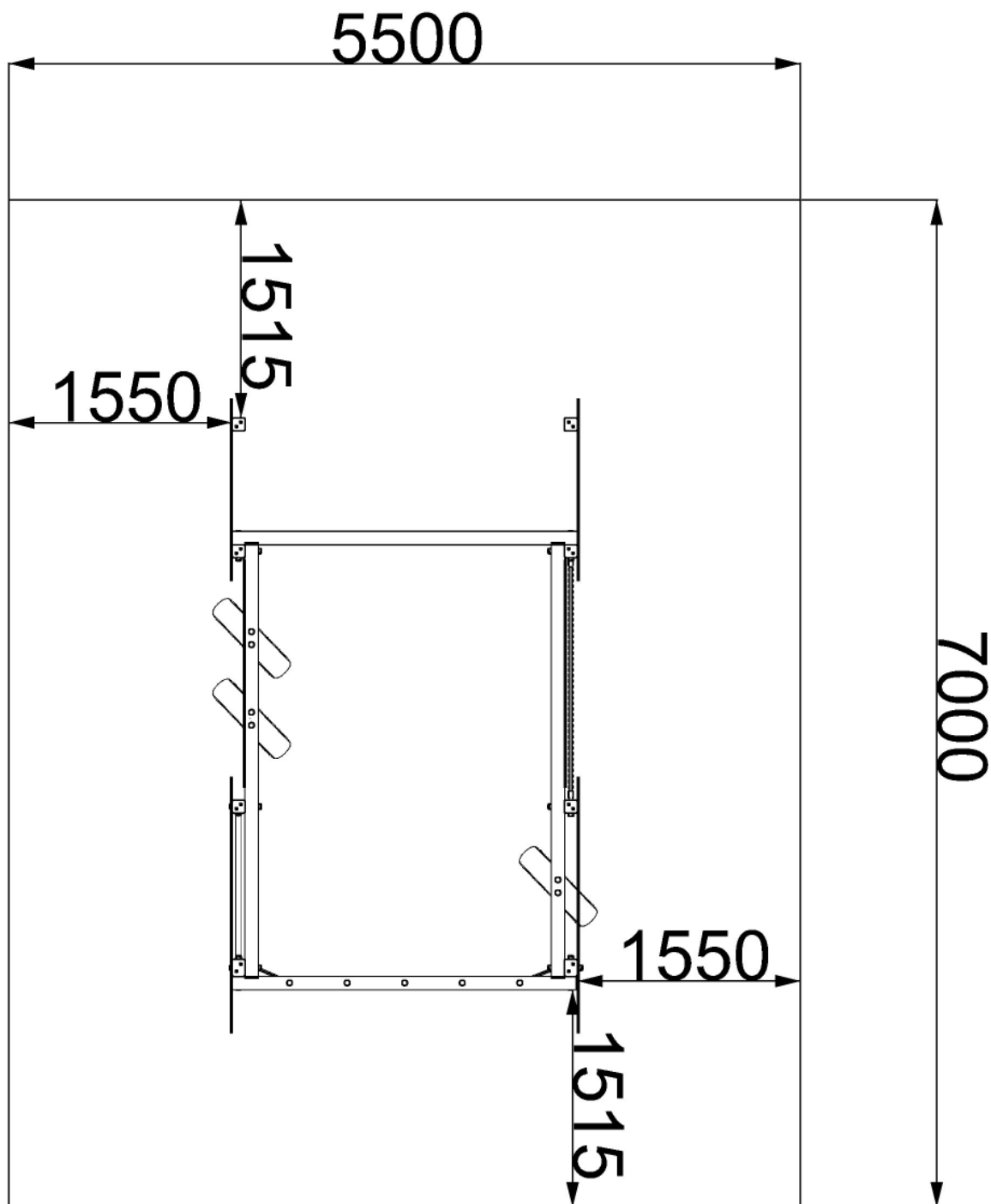
x4 (BLUE end caps)
SMALLER CAPS

TOOLS required

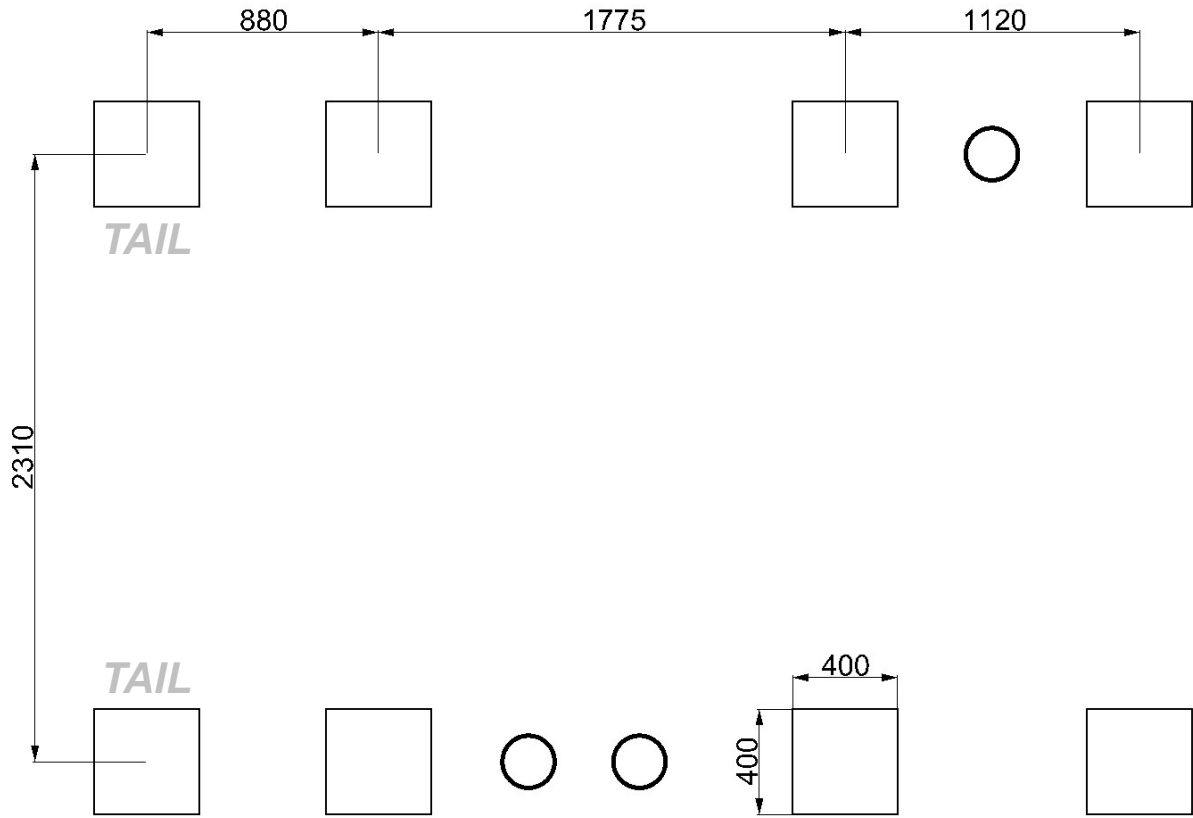


Foundation details

- - - - - = MINIMUM SPACE
- = SURFACING AREA

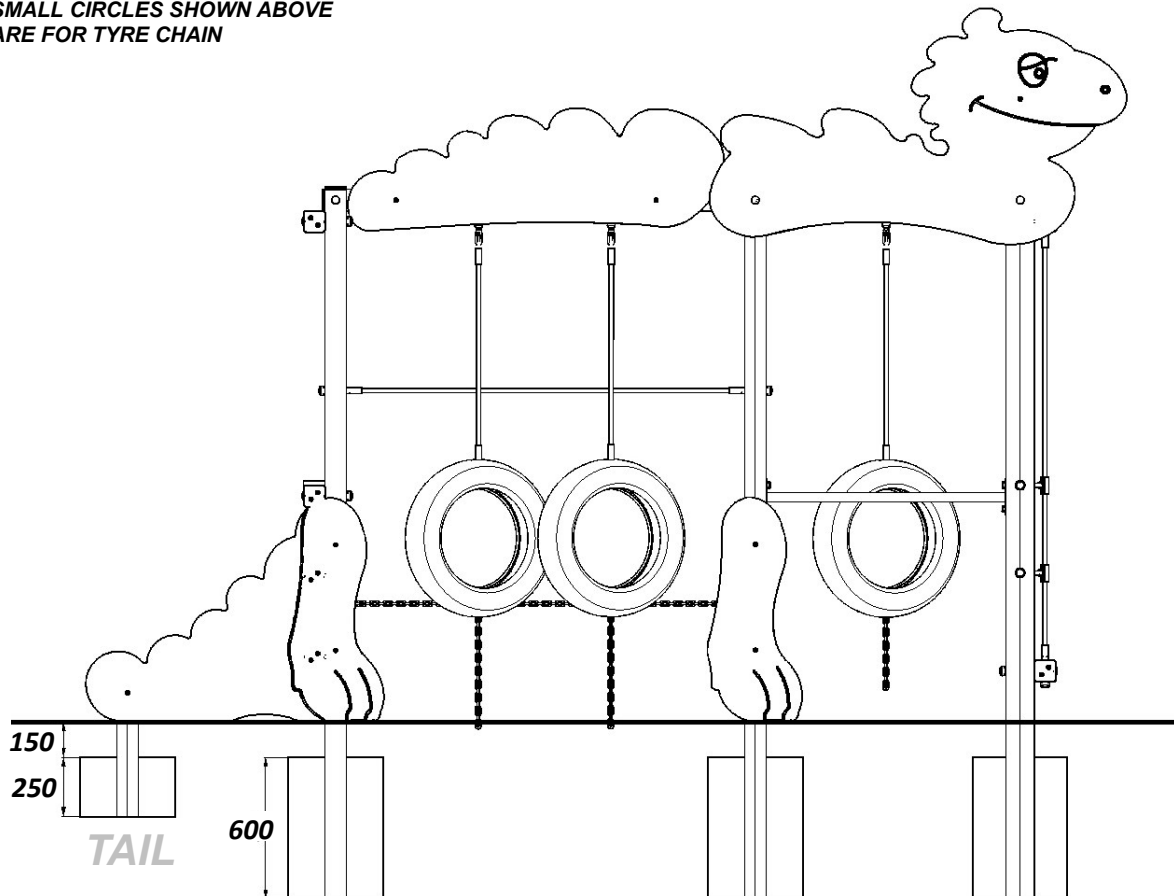


Surfacing details



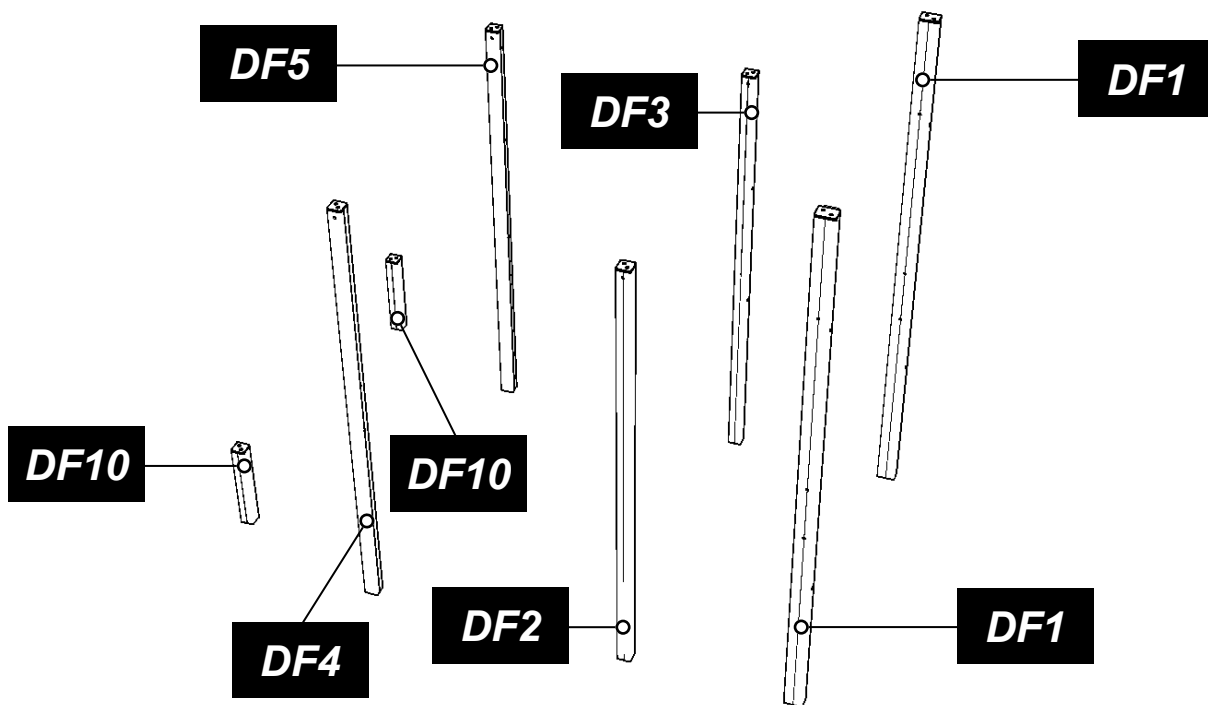
NOTES:

SMALL CIRCLES SHOWN ABOVE
ARE FOR TYRE CHAIN



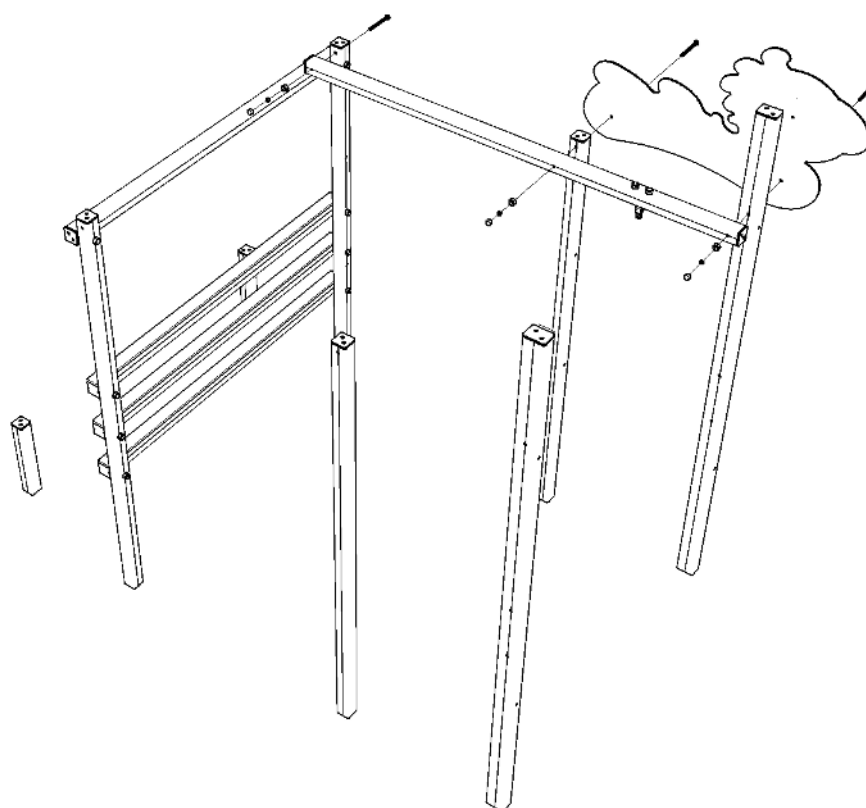
Assembly instructions

1 Install the timbers (DF1,DF2,DF3,DF4,DF5,DF10)



2 Attach the Timber (DF6) and DINO HEAD to the Timbers (DF1,DF3,DF5)

Using M12 CUP SQUARE BOLTS / NYLOCS / END CAPS

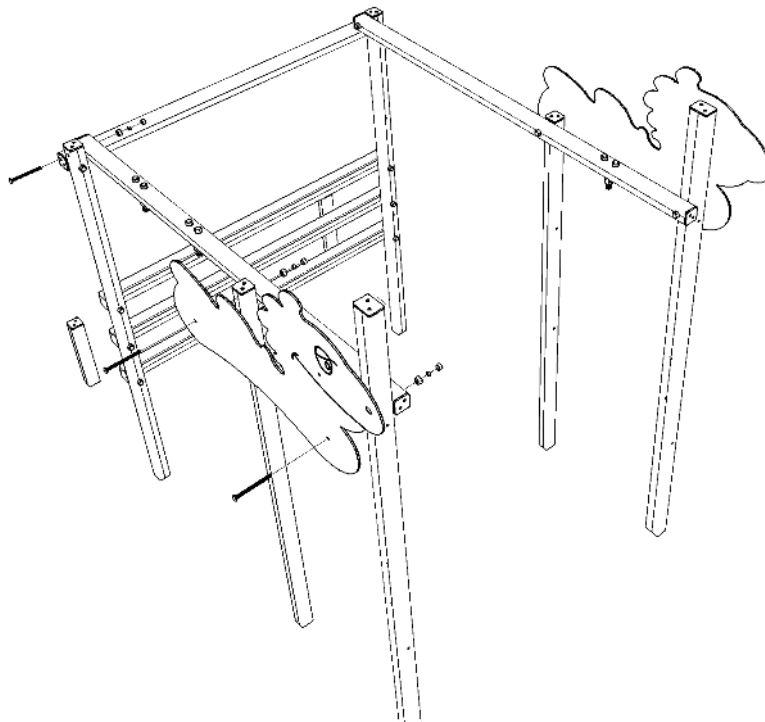


Assembly instructions

3

Attach the Timber (DF7) and DINO HEAD to the Timbers (DF1,DF2,DF4)

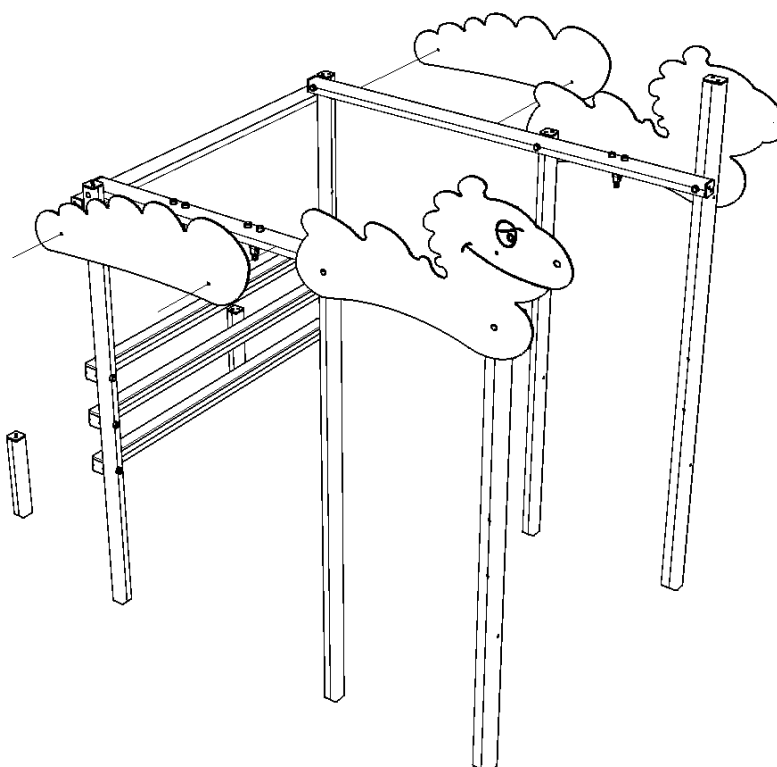
Using M12 CUP SQUARE BOLTS / NYLOCS / END CAPS



4

Attach the DINO BACK PART to the Timbers (DF6,DF7)

Using FM80 BRASS SCREWS

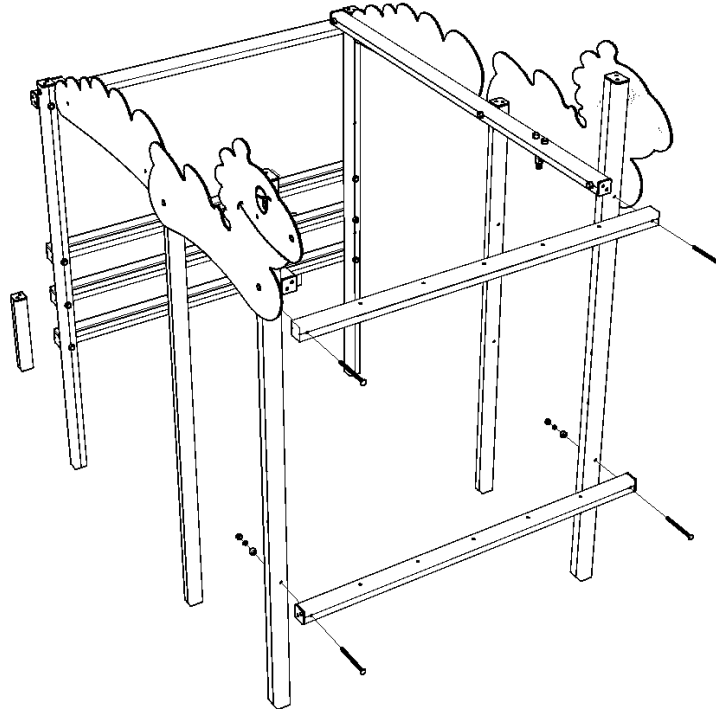


Assembly instructions

5

Attach the Timbers (DF9) to the Timbers (DF1)

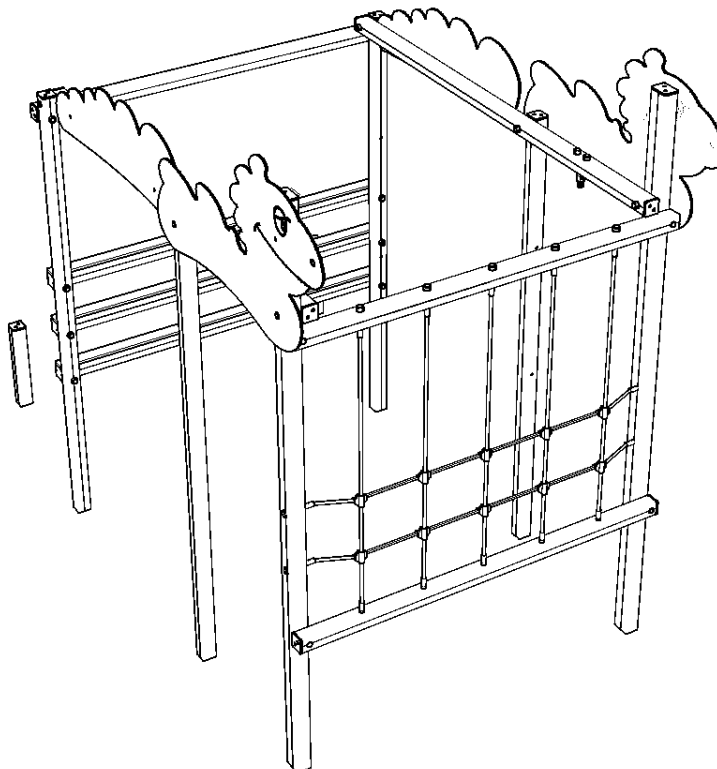
Using M12 CUP SQUARE BOLTS / NYLOCS / END CAPS



6

Attach the NET to the Timbers (DF1,DF9)

Using M12 CUP SQUARE BOLTS / NYLOCS / END CAPS

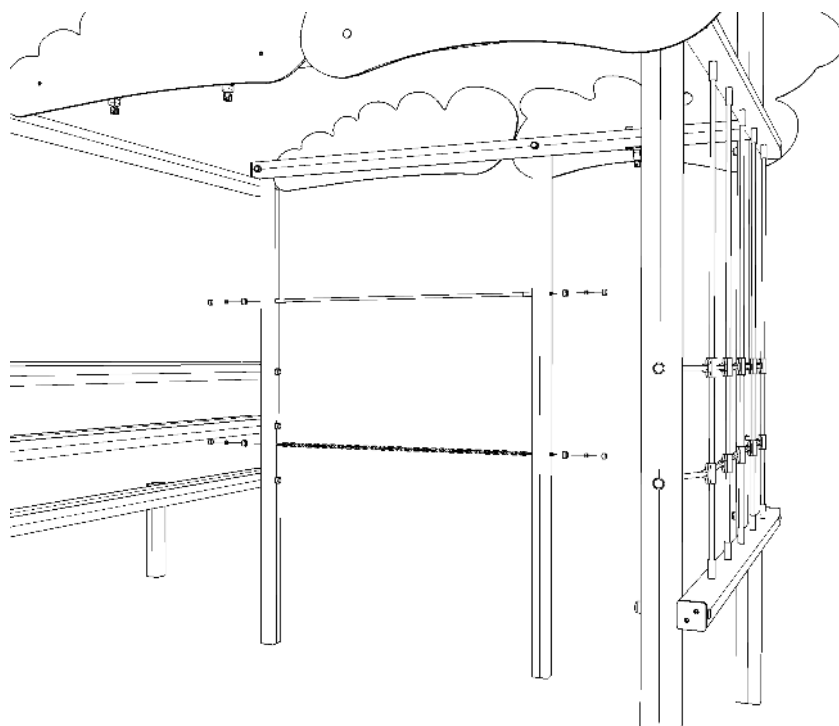


Assembly instructions

7

Attach the ROPE and CHAIN to the Timbers (DF3,DF5)

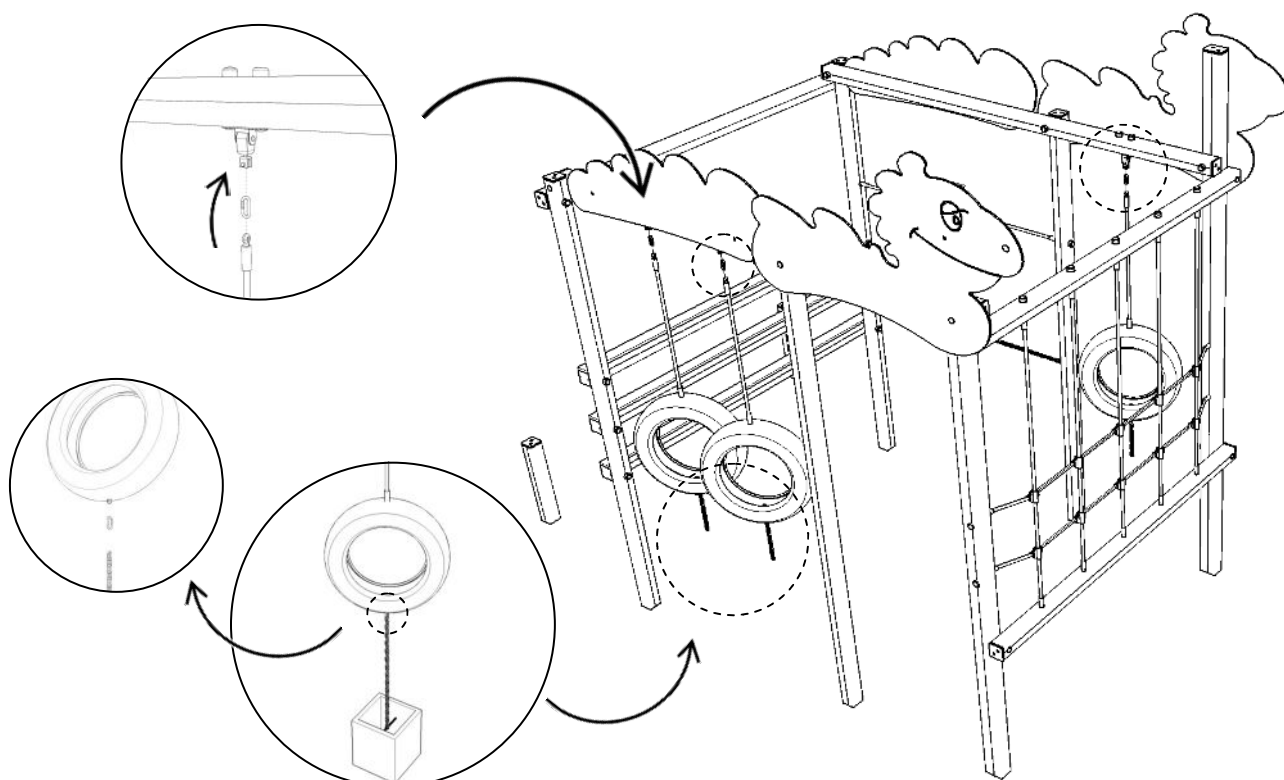
Using / NYLOCS / END CAPS



8

Attach the TYRES to the Timbers (DF6,DF7)

Use LOCK TIGHT to ensure the quick link remains CLOSED

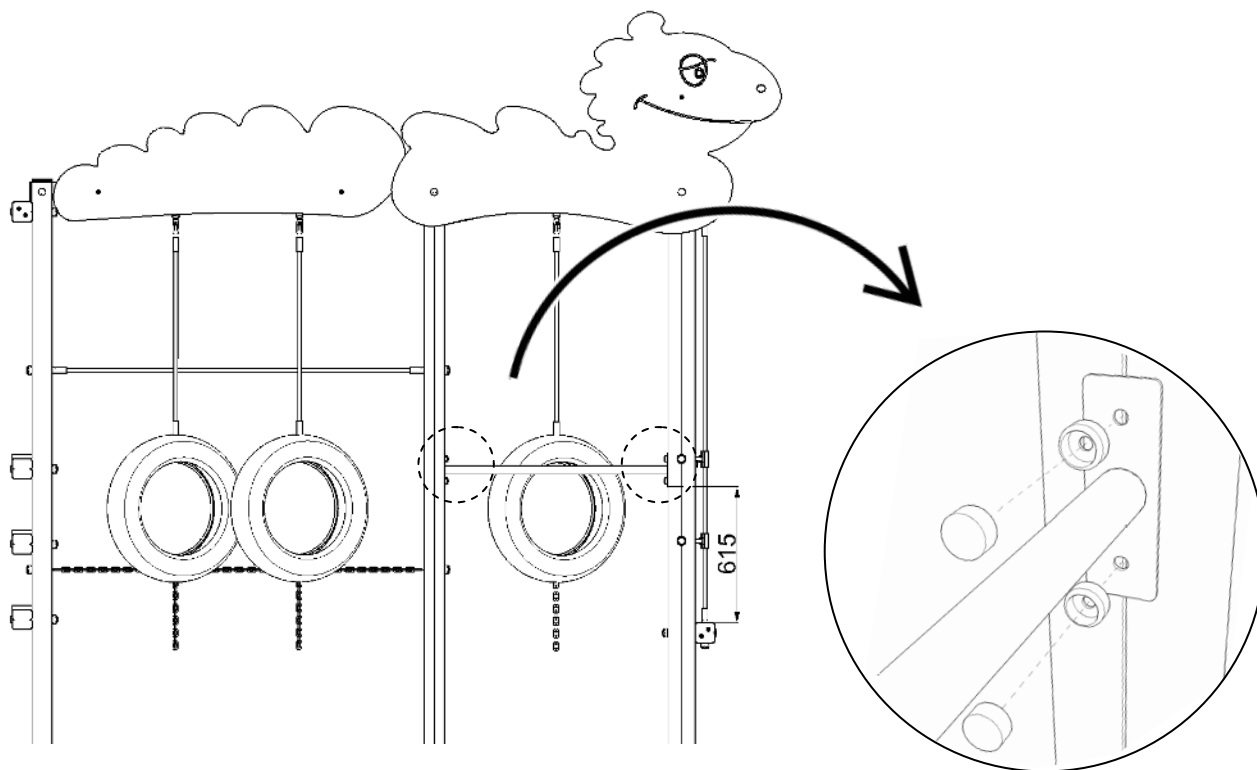


Assembly instructions

9

Attach the BARS to the Timbers (DEDF1,DF2)

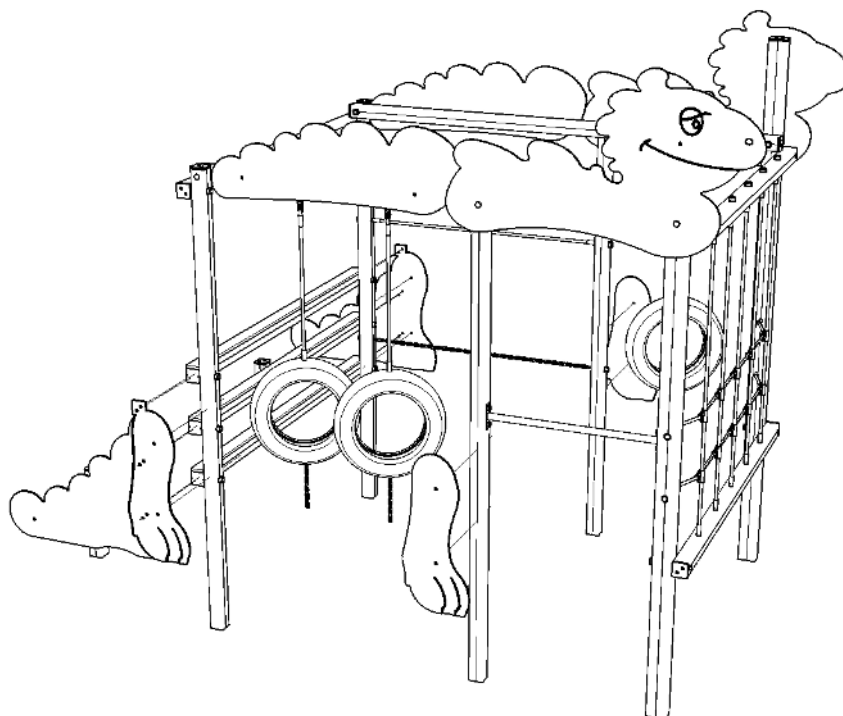
Using BRASS 'SCREWS'



10

Attach the rest of PLAYEC parts to the Timbers (DF2,DF3,DF4,DF5,DF10)

Using BRASS 'SCREWS'



Additional dimensions

