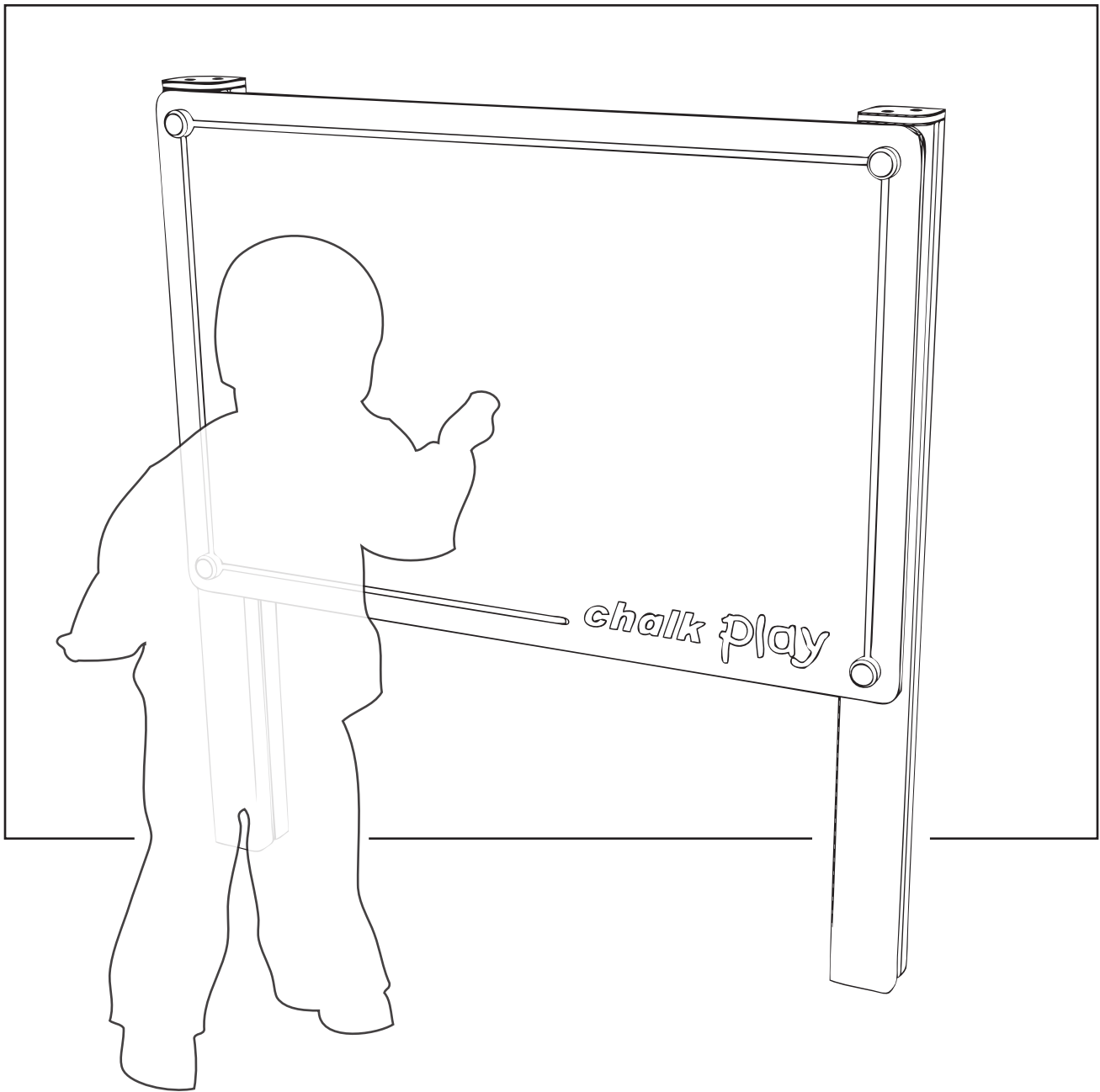


# **CHALK BOARD**

## *Installation Instructions*



# ***PARTS required***

---



**x4** (M12 120 cup square hex)



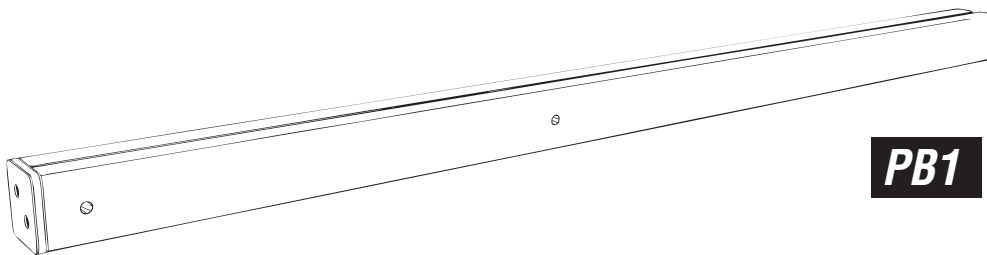
**x4** (M12 Nylocs)



**x4** (End Caps)

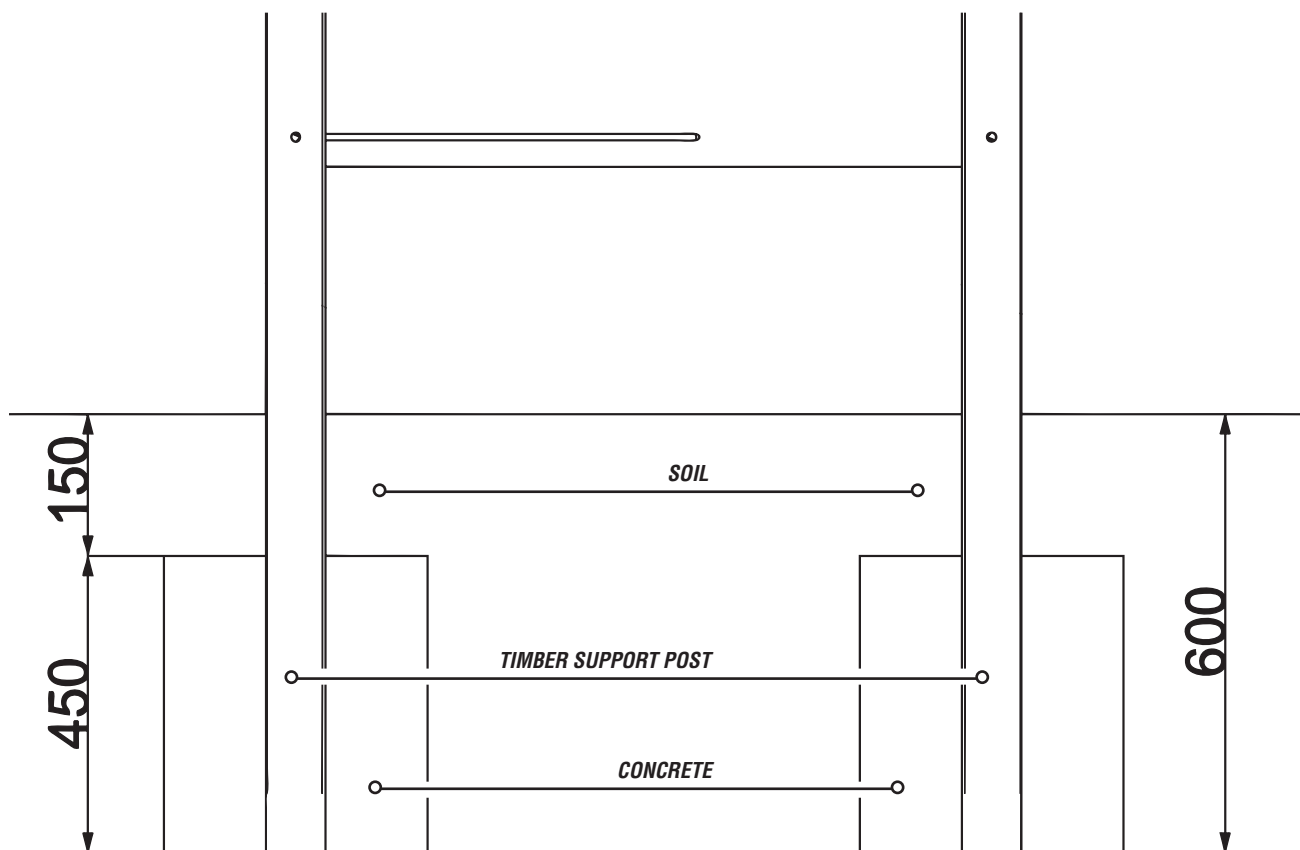
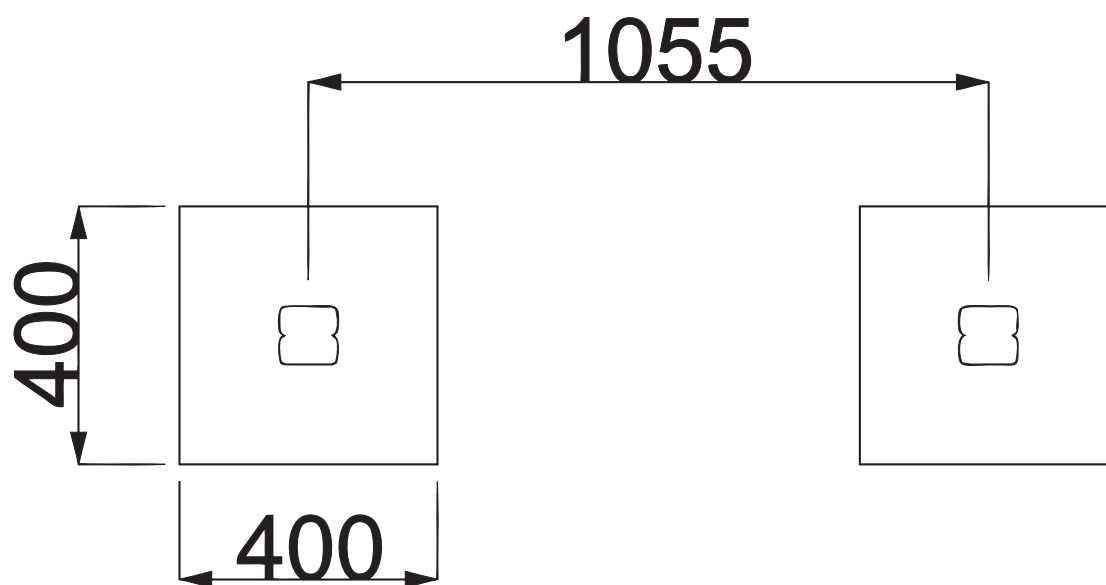


**x1 chalk board**



**PB1** QTY x 2  
(90mm x 90mm)

# Foundation Details

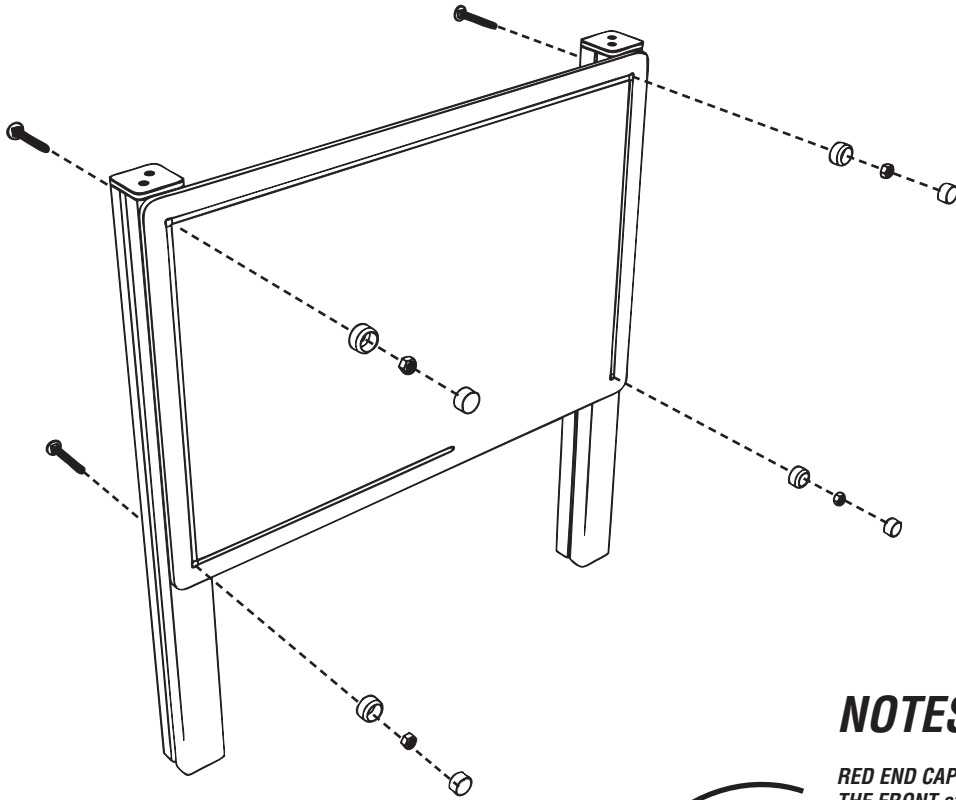


# Installation Instructions

**1**

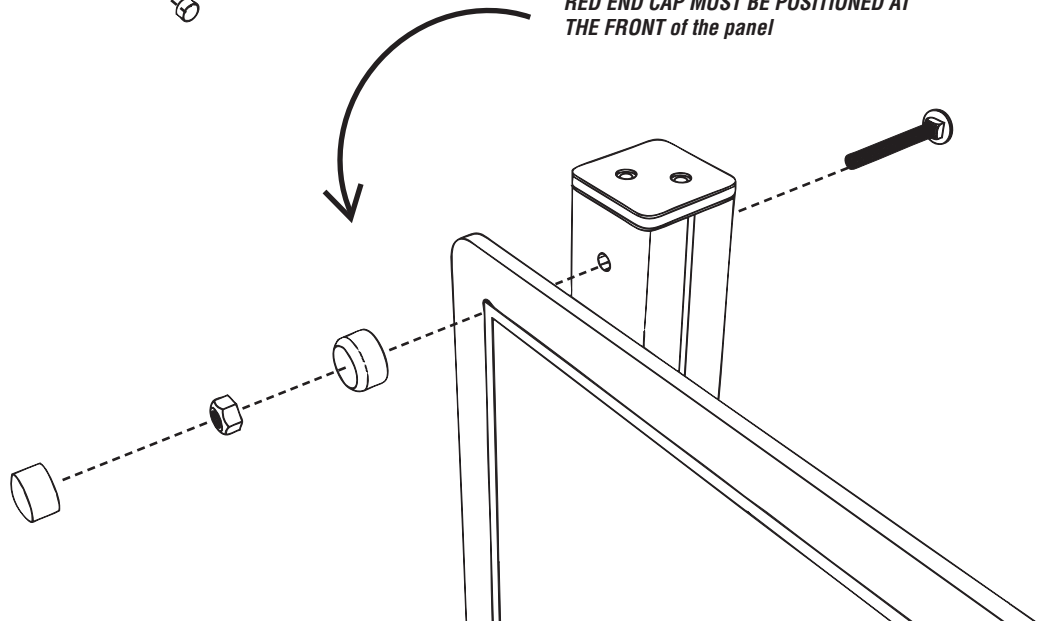
## Attach the CHALK BOARD to the PB1 timbers

Using M12 CUP SQUARE BOLTS / NYLOCS / END CAPS



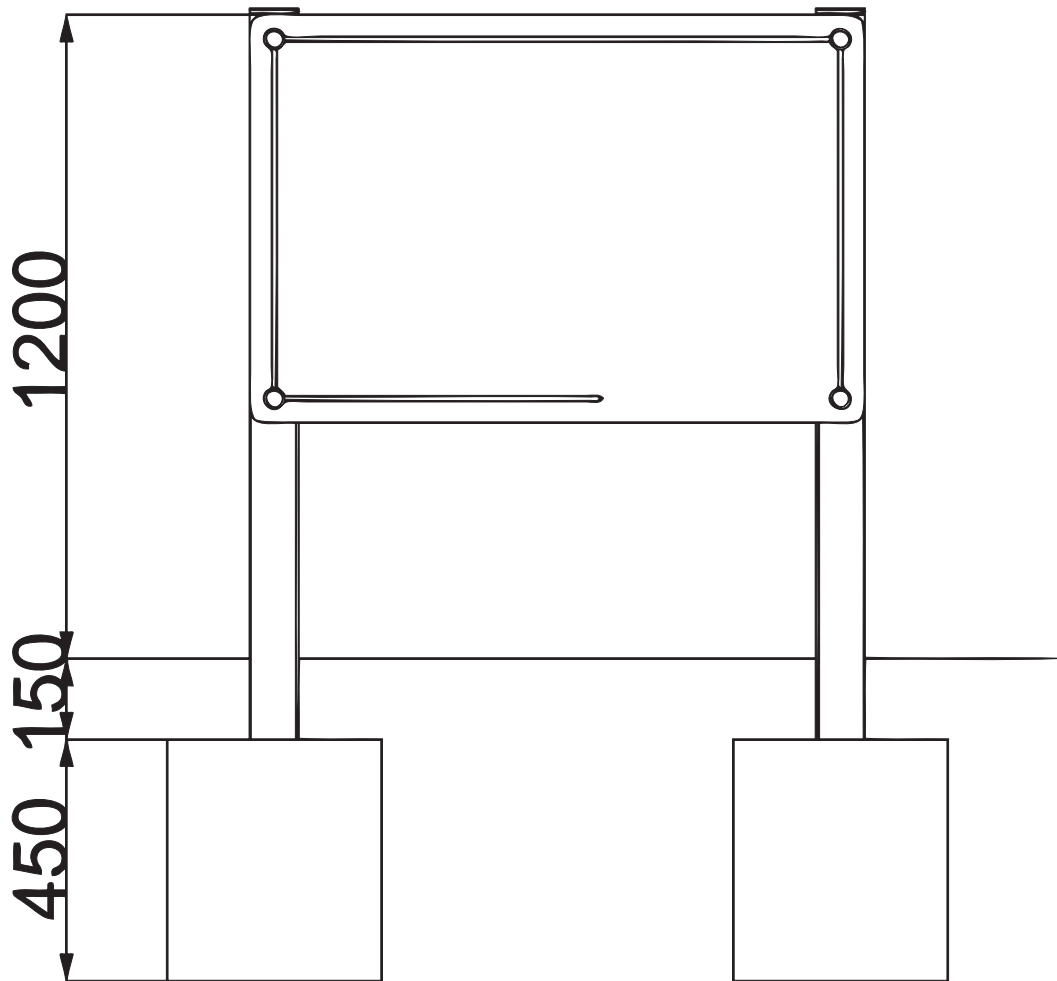
### NOTES:

RED END CAP MUST BE POSITIONED AT THE FRONT of the panel



# Additional Dimensions

---

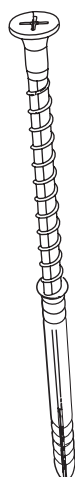
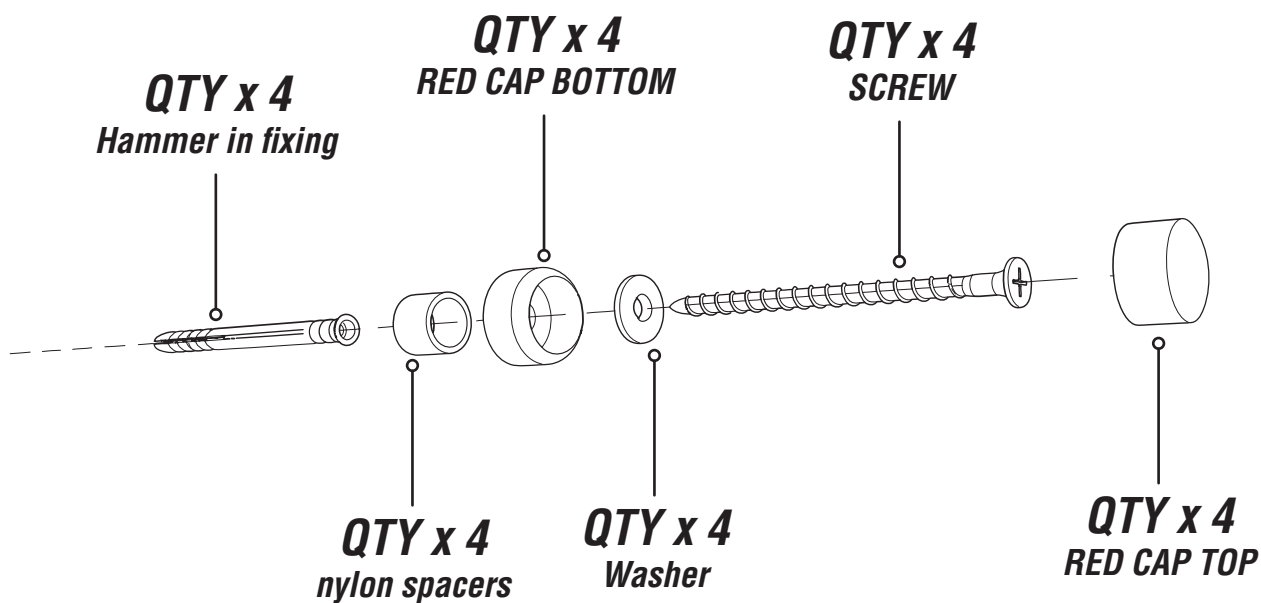


# ***OPTION for wall fixing***

---

## ***PARTS required***

---



### ***NOTES:***

*The Hammer in fixing includes the screw*