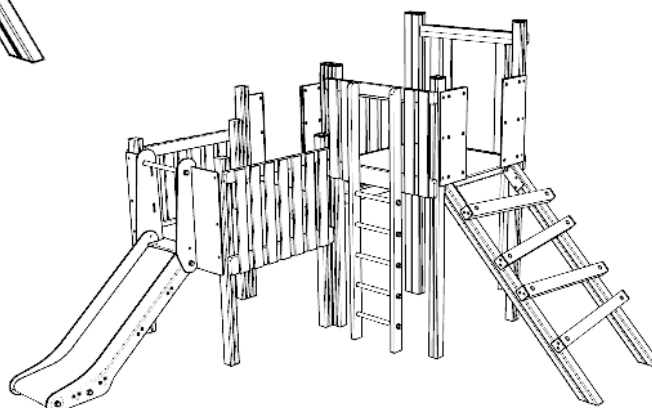
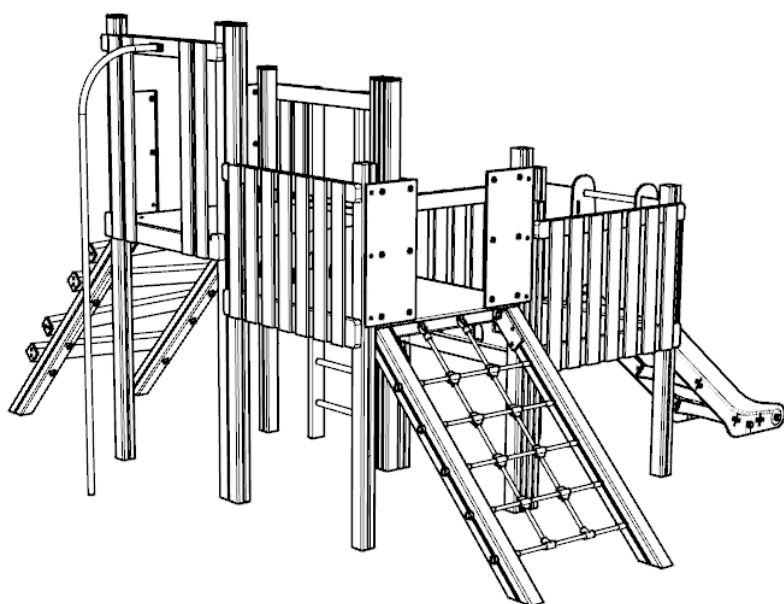
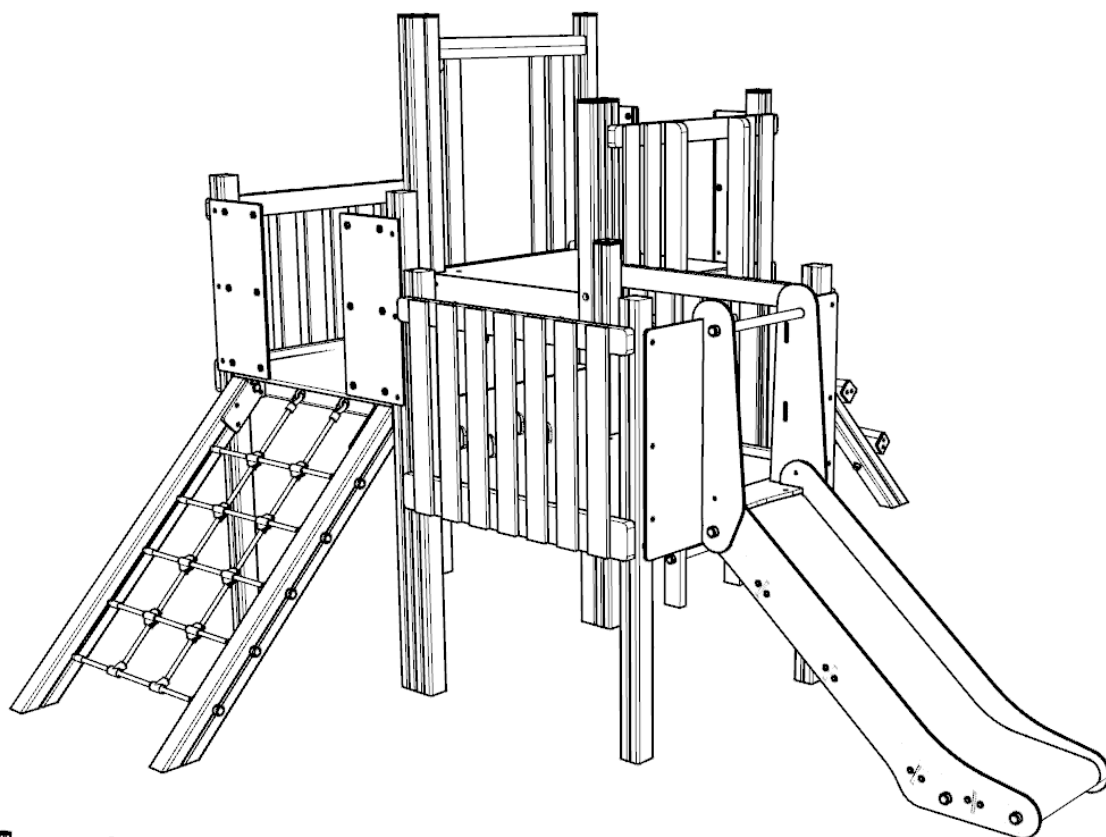
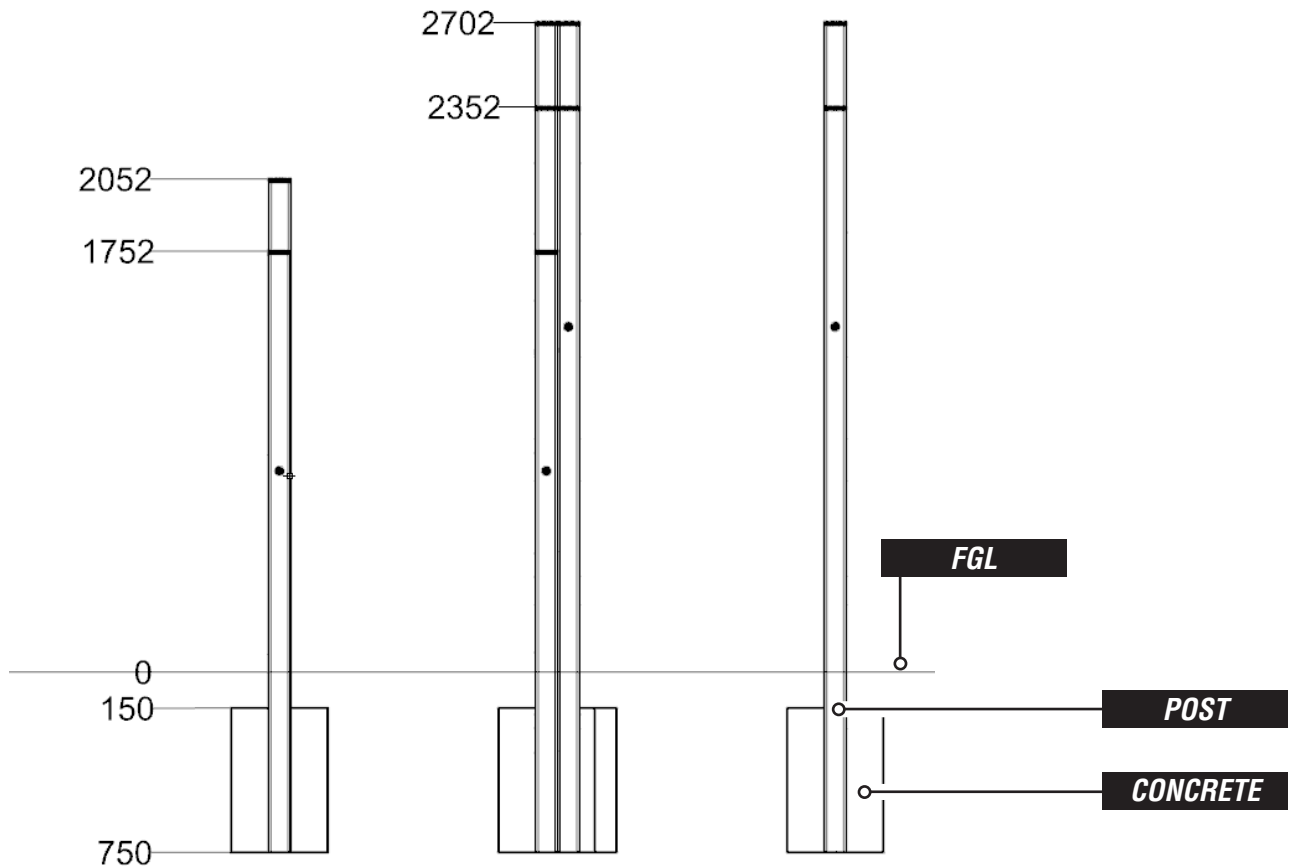
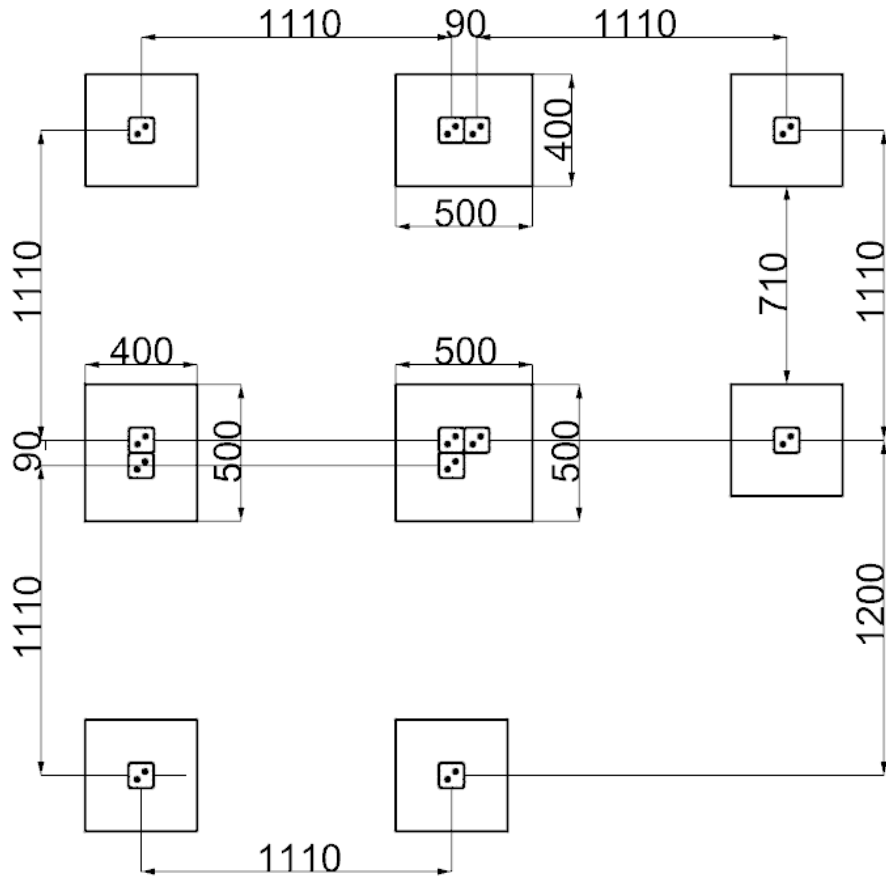


AC205 - WINDERMERE ACTIVITY CENTRE

Installation Instructions



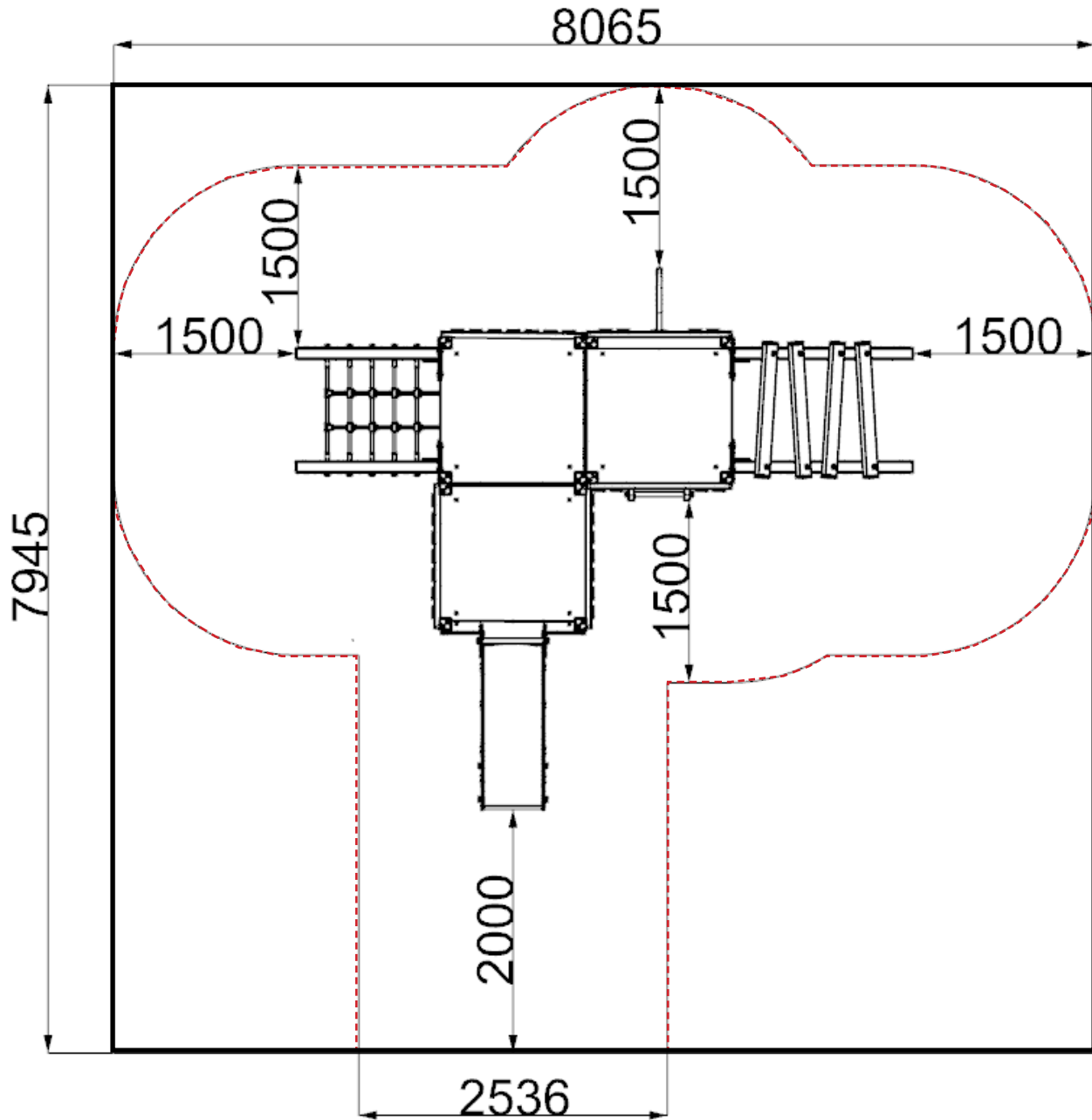
FOUNDATIONS



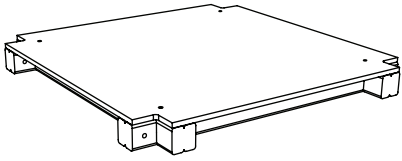
SURFACING DETAILS

----- = MINIMUM SPACE

————— = OVERALL AREA

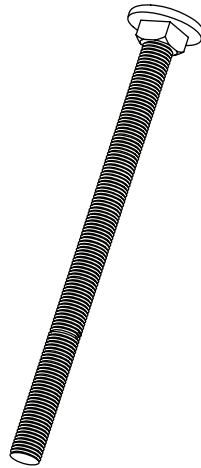


PARTS REQUIRED



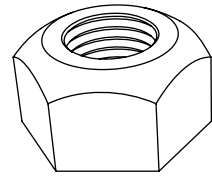
x3

JIGSAW FLOOR ASSEMBLY



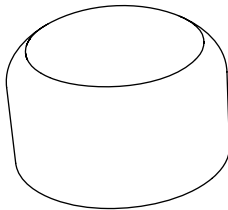
x12

274.M12X180



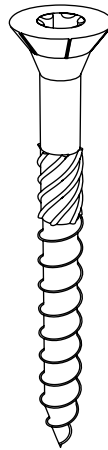
x12

656.M12



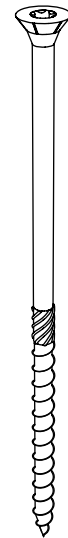
x12

102003-01



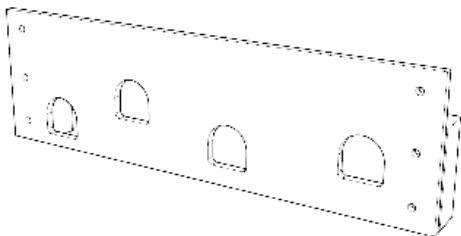
x4

97.M8X80CSK



x26

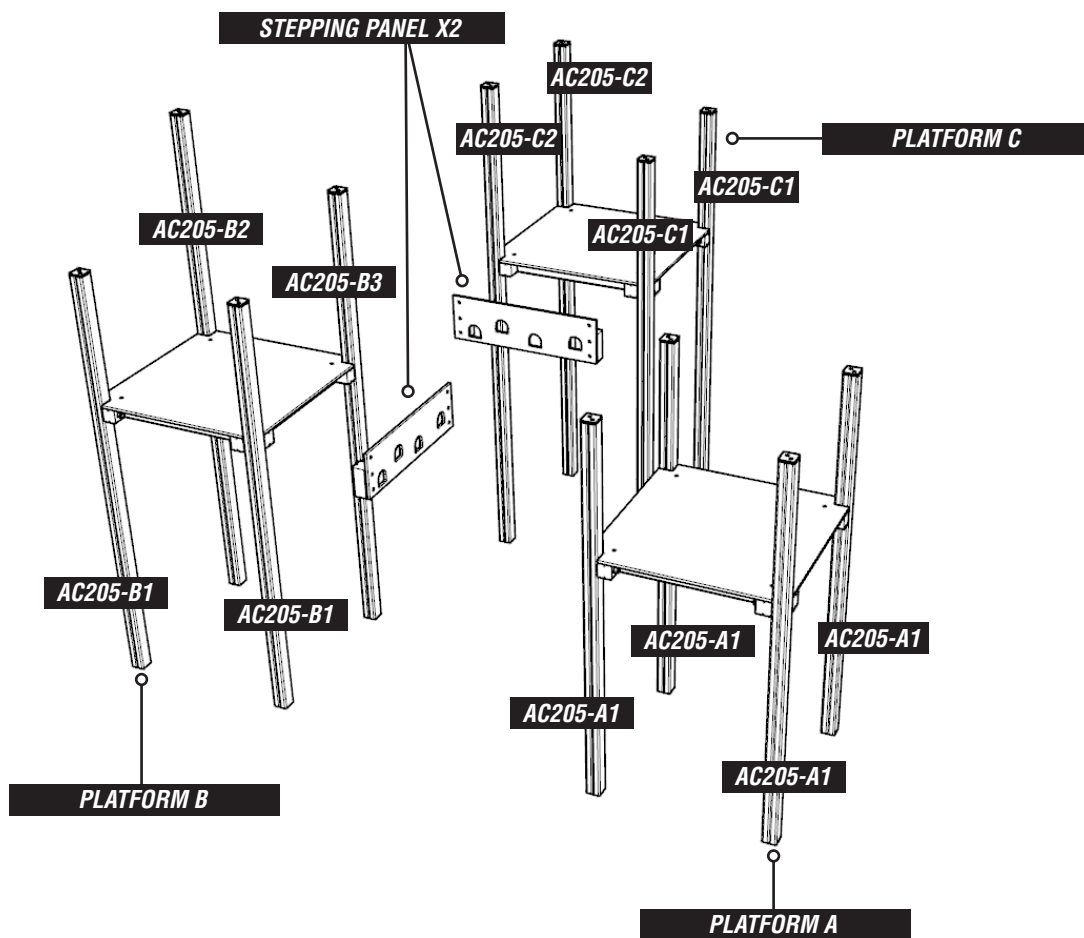
97.M8X180CSK



x2

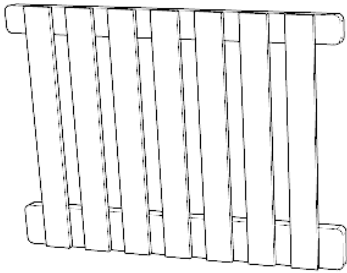
STEPPING PANEL

PARTS REQUIRED - PLATFORM TIMBERS



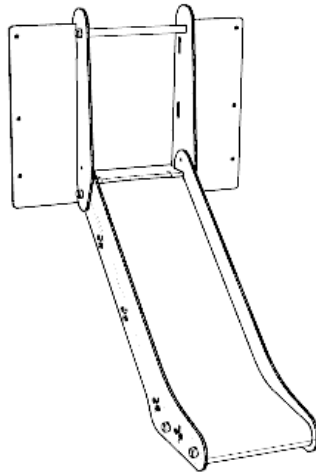
CODE	SIZE	QTY	ADDITIONAL INFORMATION
AC205-A1	2490	4	PLATFORM A
AC205-B1	2790	2	PLATFORM B
AC205-B2	3442	1	PLATFORM B
AC205-B3	3090	1	PLATFORM B
AC205-C1	3090	2	PLATFORM C
AC205-C2	3442	2	PLATFORM C

PARTS REQUIRED - STANDARD JIGSAW PARTS



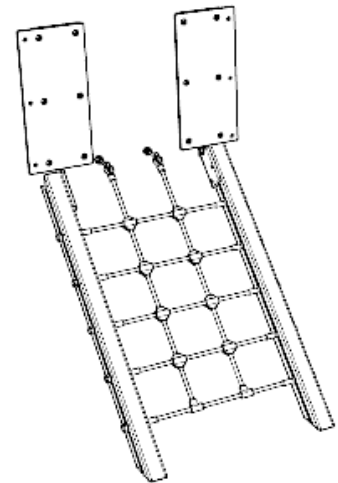
x3 .inc standard fixings

JIGSAW STANDARD PART
JIG201 - GUARD RAIL STRAIGHT



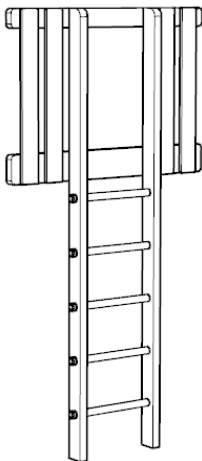
x1 .inc standard fixings

JIGSAW STANDARD PART
JIG911 - SLIDE



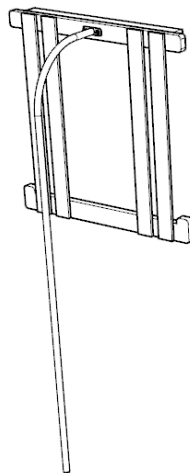
x1 .inc standard fixings

JIGSAW STANDARD PART
JIG1214 - NET CLIMBER



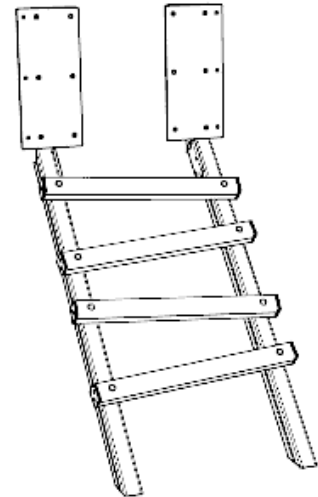
x1 .inc standard fixings

JIGSAW STANDARD PART
JIG1516 - RUNG LADDER



x1 .inc standard fixings

JIGSAW STANDARD PART
JIG1517 - FIREFIGHTERS POLE



x1 .inc standard fixings

JIGSAW STANDARD PART
JIG1518 - LOG CLIMBER

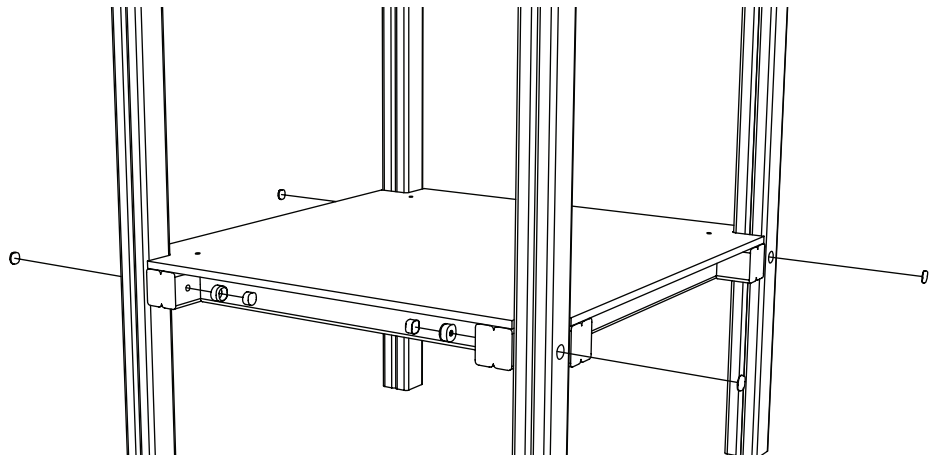
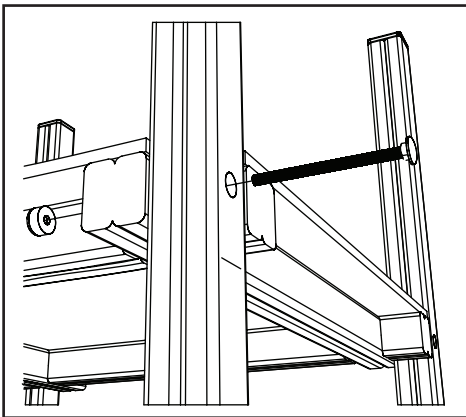
INSTALLATION INSTRUCTIONS

1 ATTACH FLOOR ASSEMBLY TO UPRIGHT TIMBERS - SEE STEP BELOW FOR LOCATIONS

USING 274.M12X180 / 656.M12 / 102003-01

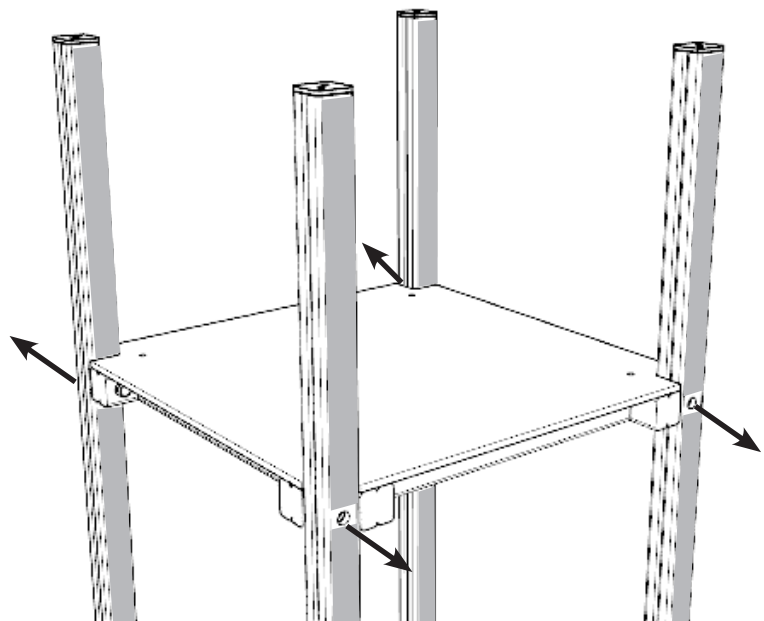
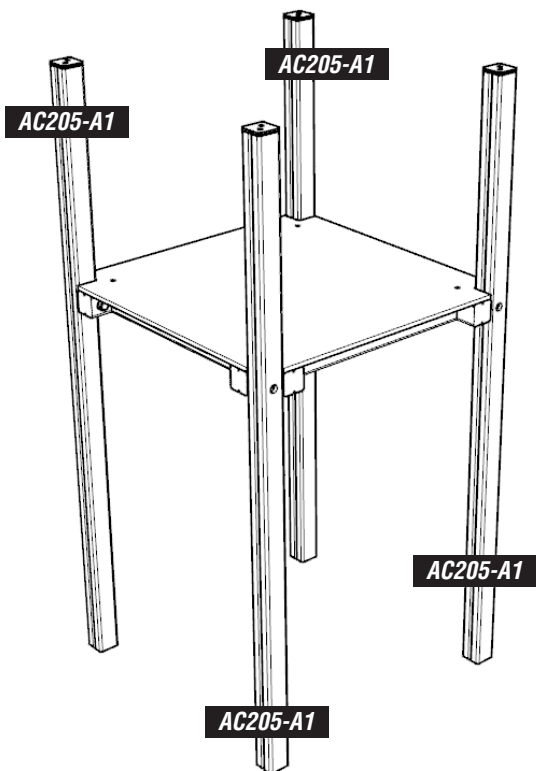
NOTES:

NYLOC & COVERED END ARE ALWAYS POSITIONED ON THE INSIDE



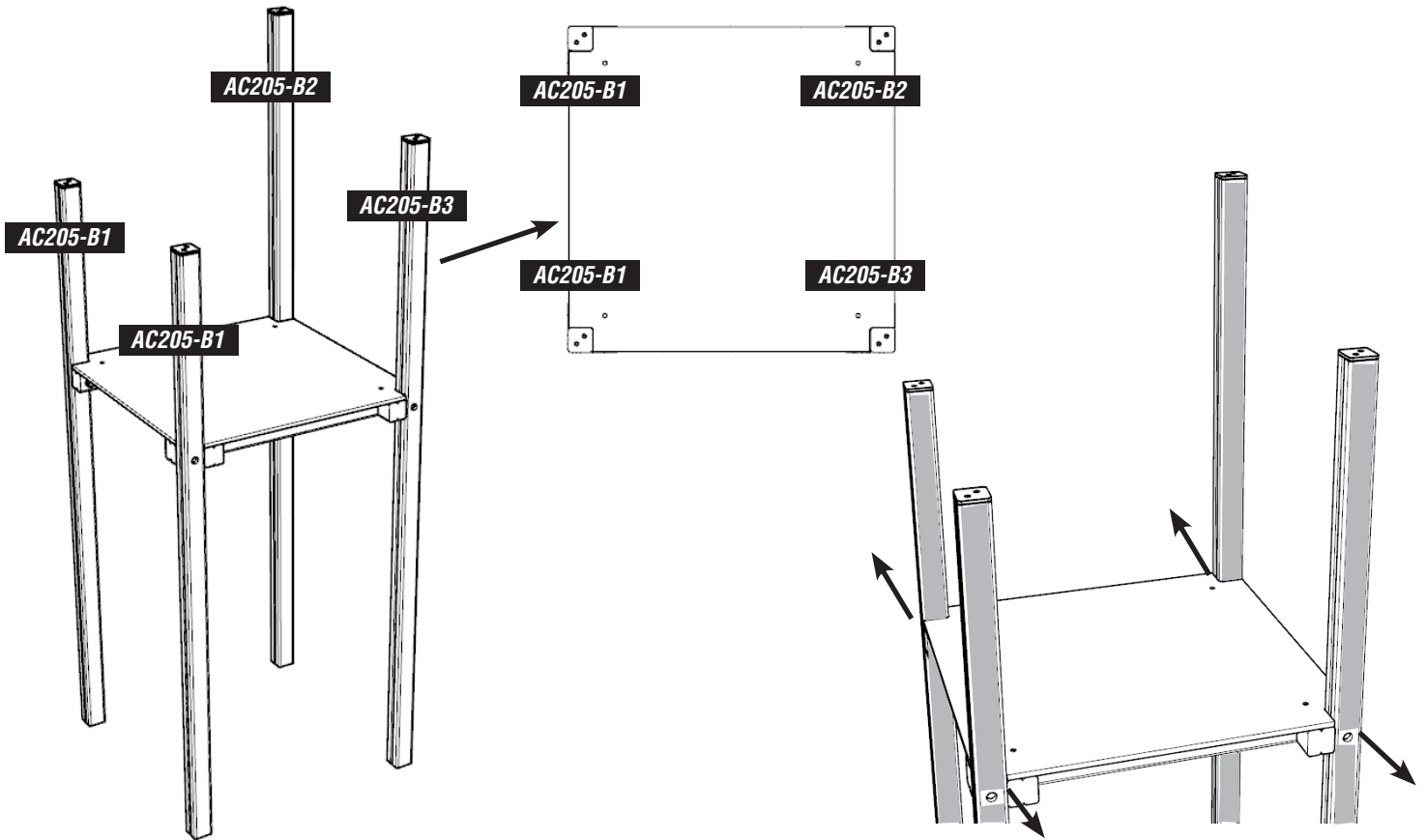
2 PRE - ASSEMBLE PLATFORM A USING TIMBERS SHOWN BELOW

ENSURE ALL PLANE FACES POINT IN SAME DIRECTION (GREY) & COUNTERSINKS ON OUTSIDE OF PLATFORM (ARROWS)



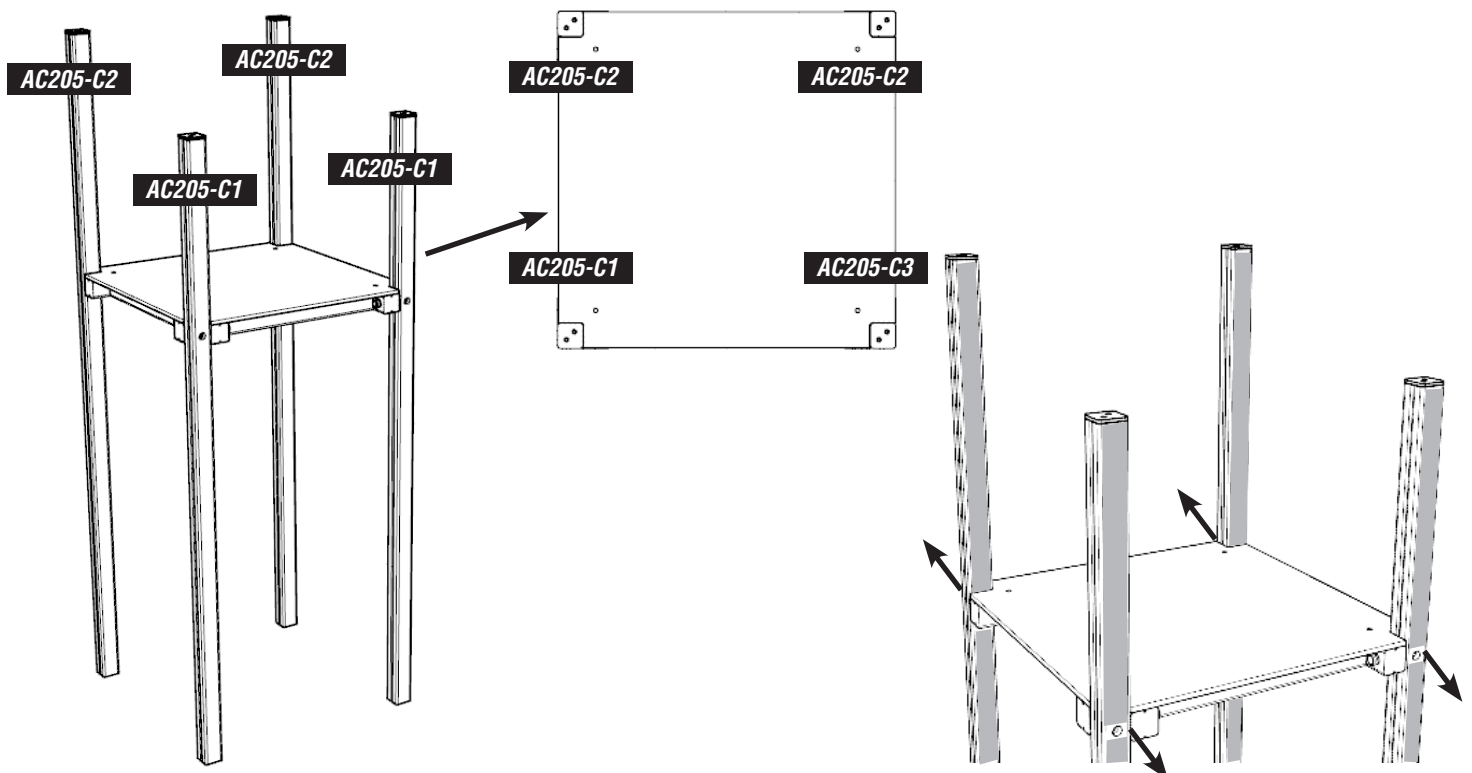
3

PRE - ASSEMBLE PLATFORM B USING TIMBERS IN LOCATION SHOWN BELOW
ENSURE ALL PLANE FACES POINT IN SAME DIRECTION (GREY) & COUNTERSINKS ON OUTSIDE OF PLATFORM



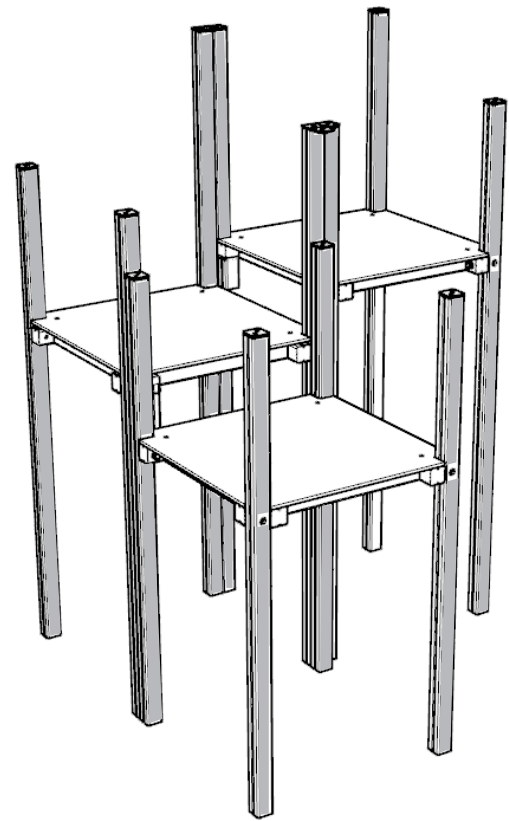
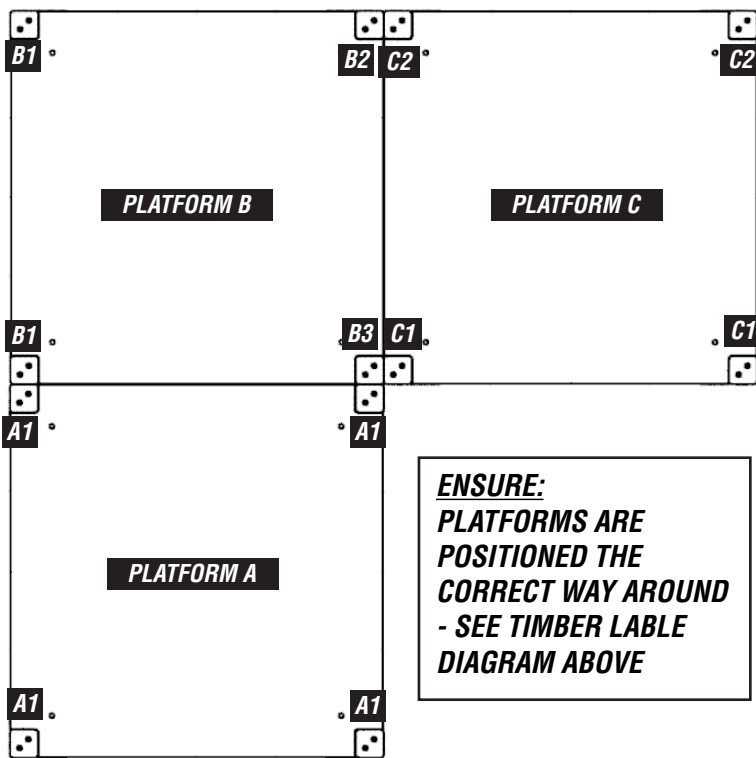
4

PRE - ASSEMBLE PLATFORM C USING TIMBERS SHOWN BELOW
ENSURE ALL PLANE FACES POINT IN SAME DIRECTION (GREY) & COUNTERSINKS ON OUTSIDE OF PLATFORM (ARROWS)



5

BUTT ASSEMBLED PLATFORMS TOGETHER AS SHOWN/ACCORDING TO GROUNDPLAN
ENSURE ALL PLANE FACES OF PLATFORMS FACE FORWARD - SEE GREY SHADING BELOW

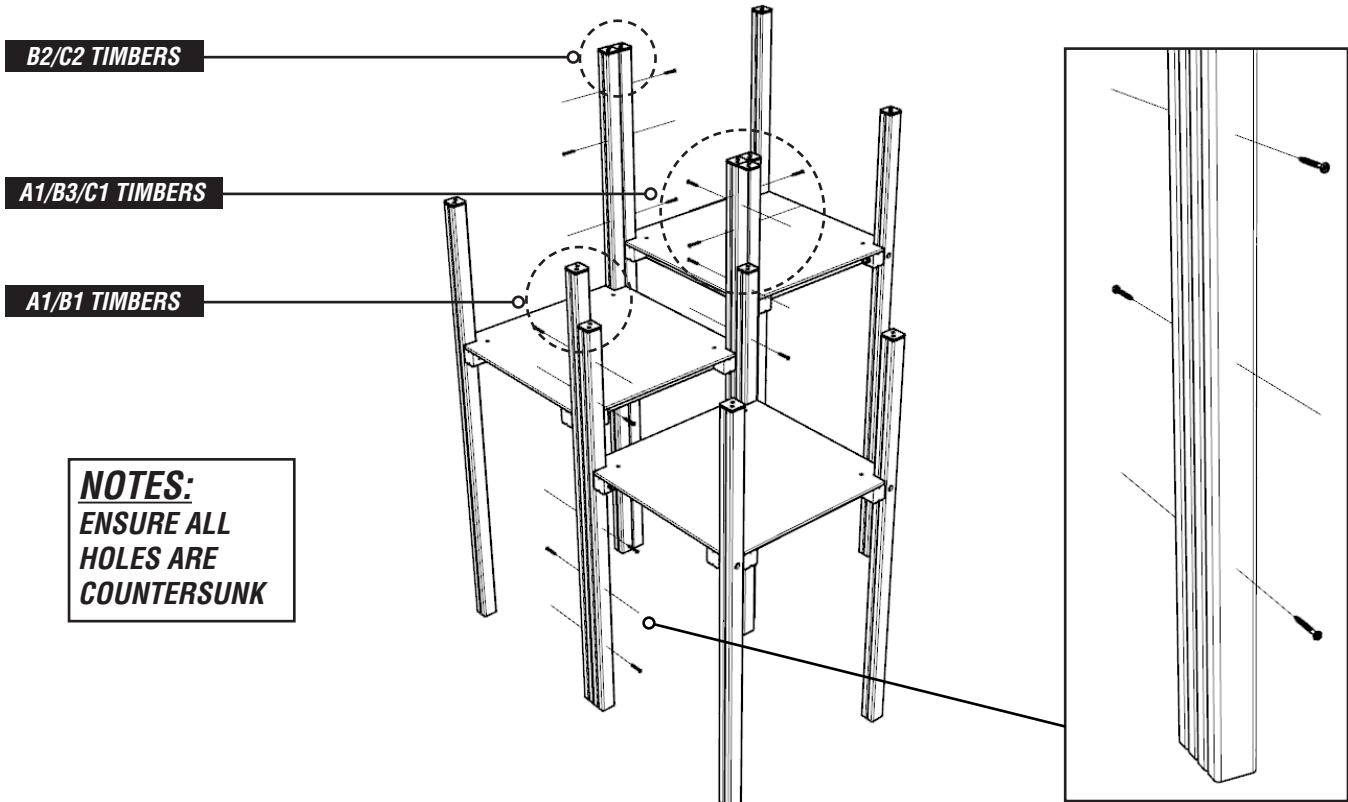


ENSURE:
PLATFORMS ARE
POSITIONED THE
CORRECT WAY
AROUND
- SEE TIMBER
TABLE
DIAGRAM ABOVE

6

FURTHER SECURE ANY TIMBERS BUTTED UP TO EACH OTHER (SEE BELOW)

USING M8X180MM WOOD SCREWS, TIMBERS SHOULD BE SCREWED TOGETHER FROM FRONT & BACK OF PLANE FACE

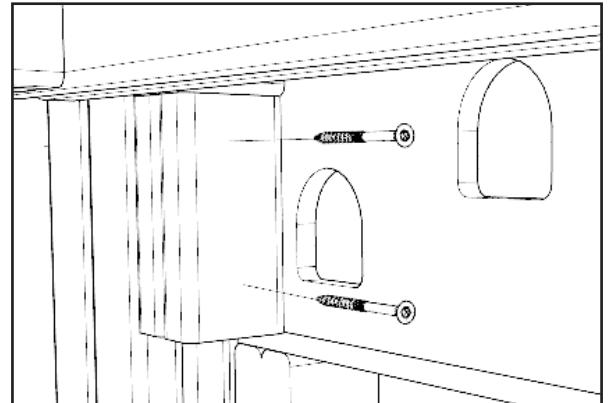
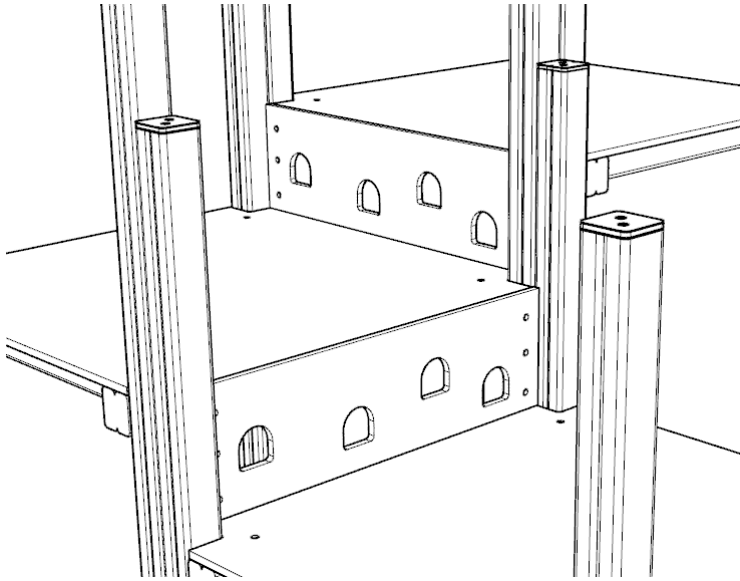


NOTES:
ENSURE ALL
HOLES ARE
COUNTERSUNK

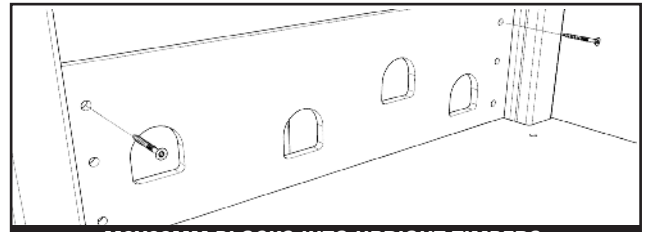
7

ATTACH STEPPING PANELS IN LOCATIONS SHOWN

USING M8X80MM THROUGH TOP HEX HOLE AND M8X180MM WOOD SCREWS FOR CLIMBING WALL BLOCKS



M8X180MM FOR BLOCKS INTO UPRIGHT TIMBERS



M8X80MM BLOCKS INTO UPRIGHT TIMBERS

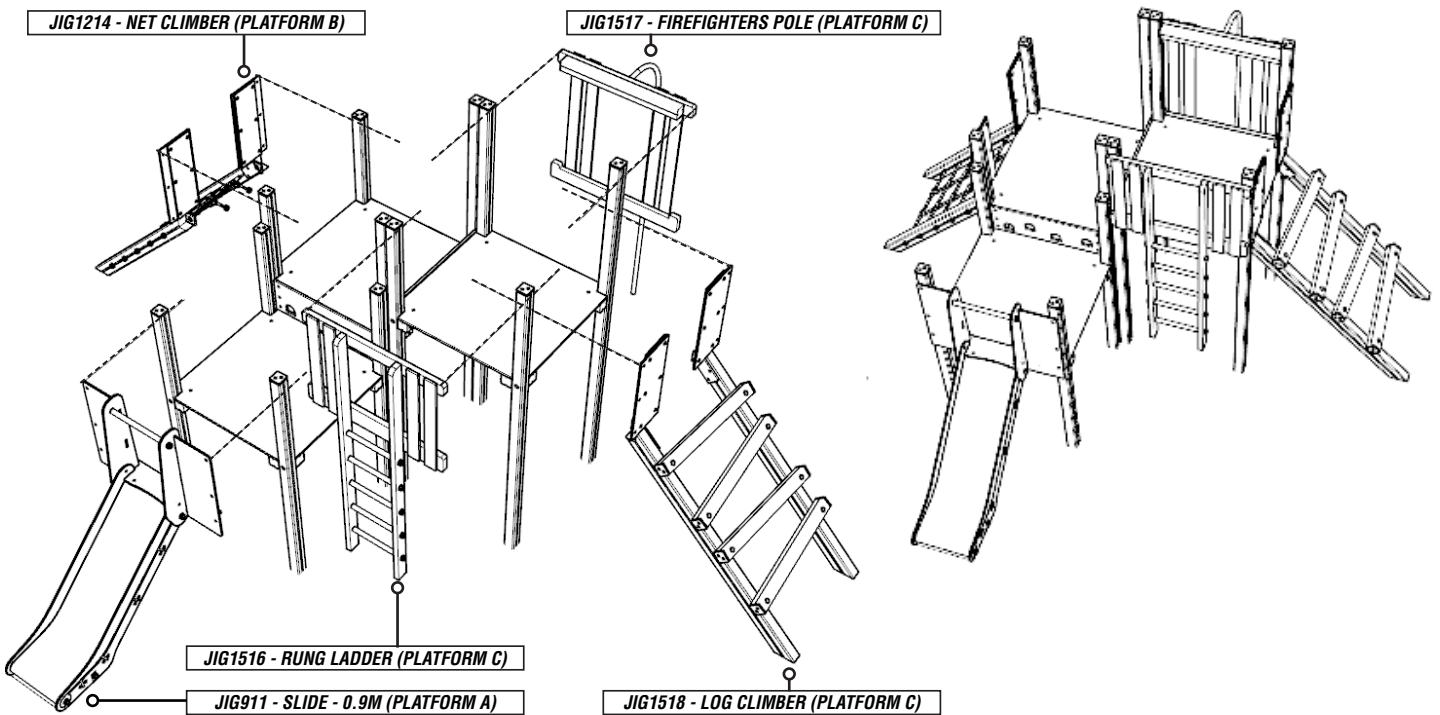
NOTES:

ENSURE STEPPING PANEL SITS FLAT ON LOWER PLATFORM AND COVERS THE 18MM EDGE OF HEXAGRIP PLATFORM FLOOR OF HIGHER PLATFORM

8

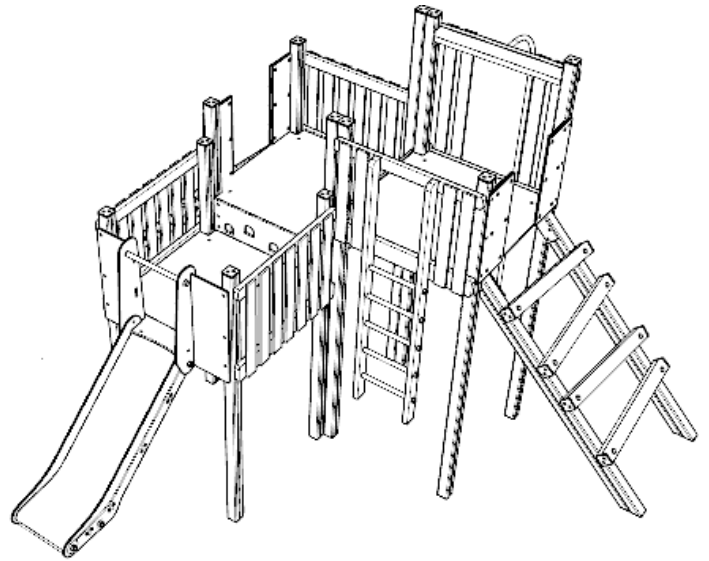
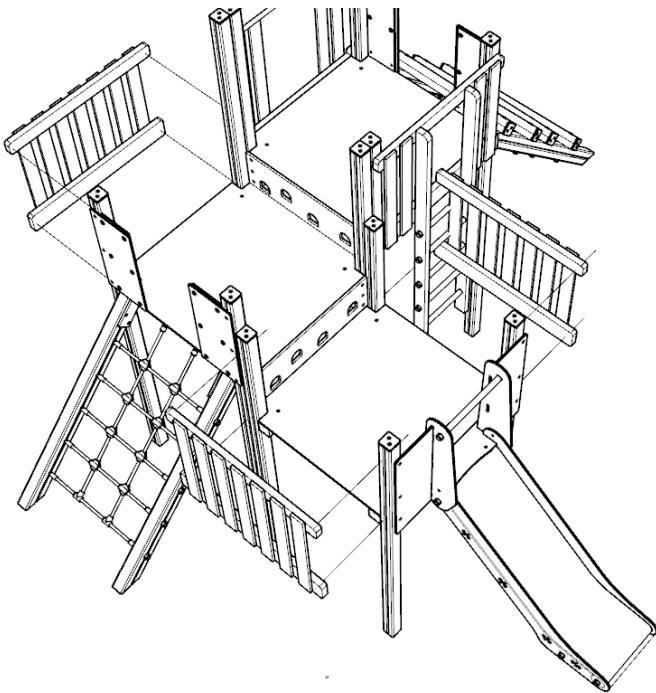
INSTALL STANDARD JIGSAW PARTS IN LOCATIONS SHOWN

USING STANDARD JIGSAW INSTRUCTIONS



9

**ATTACH STANDARD JIGSAW GUARD RAILS IN LOCATIONS SHOWN
USING STANDARD JIGSAW INSTRUCTIONS**



NOTES:

THE THREE GUARD RAILS ARE LOCATED IN THE THREE REMAINING GAPS AFTER INSTALLING THE OTHER STANDARD JIGSAW PARTS (STEP 8).

ADDITIONAL DIMENSIONS

