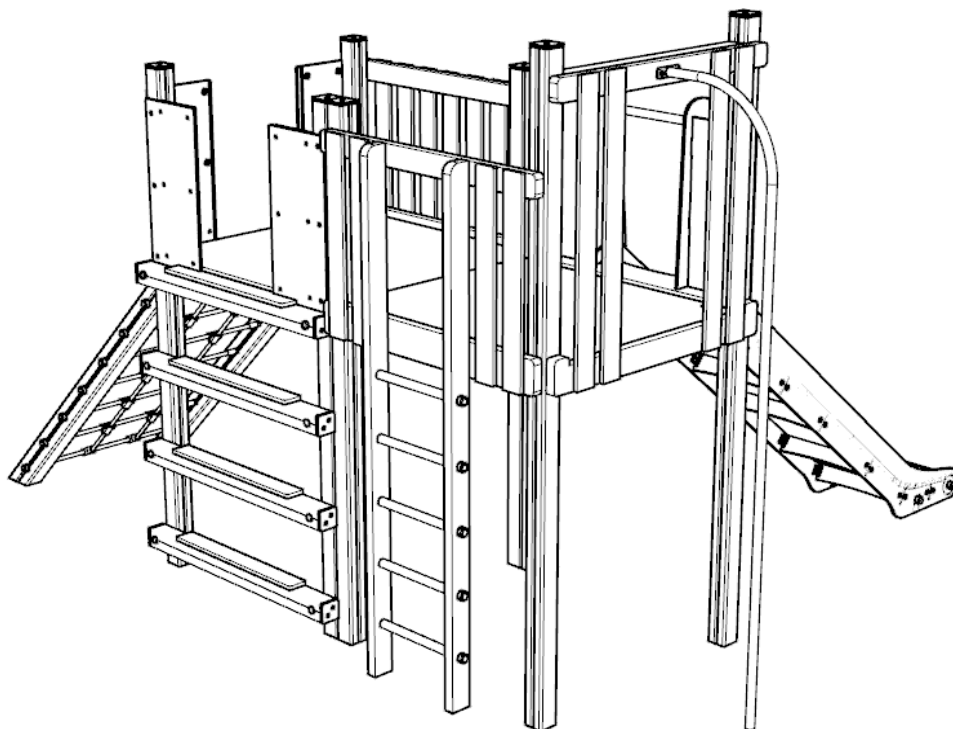
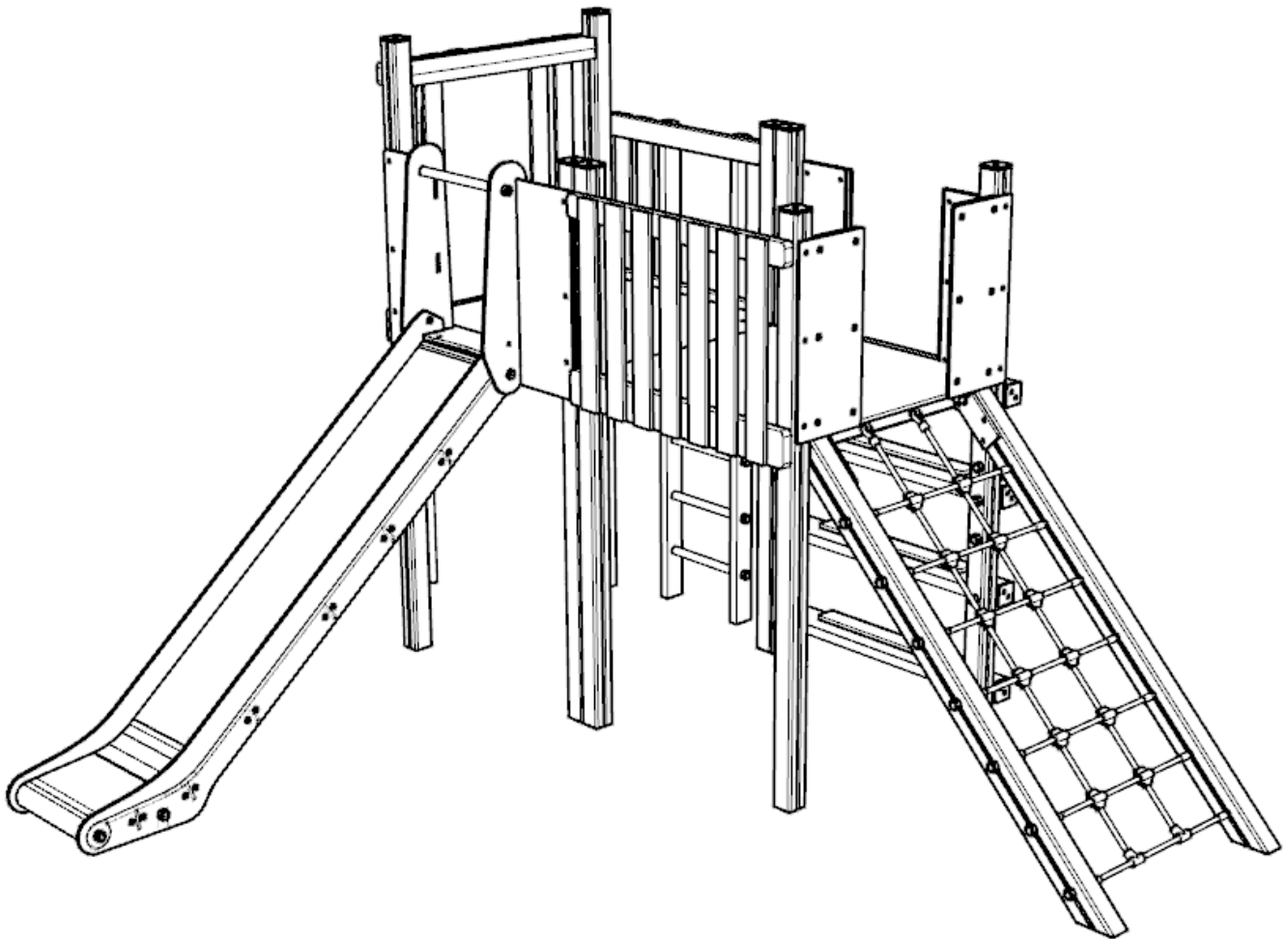


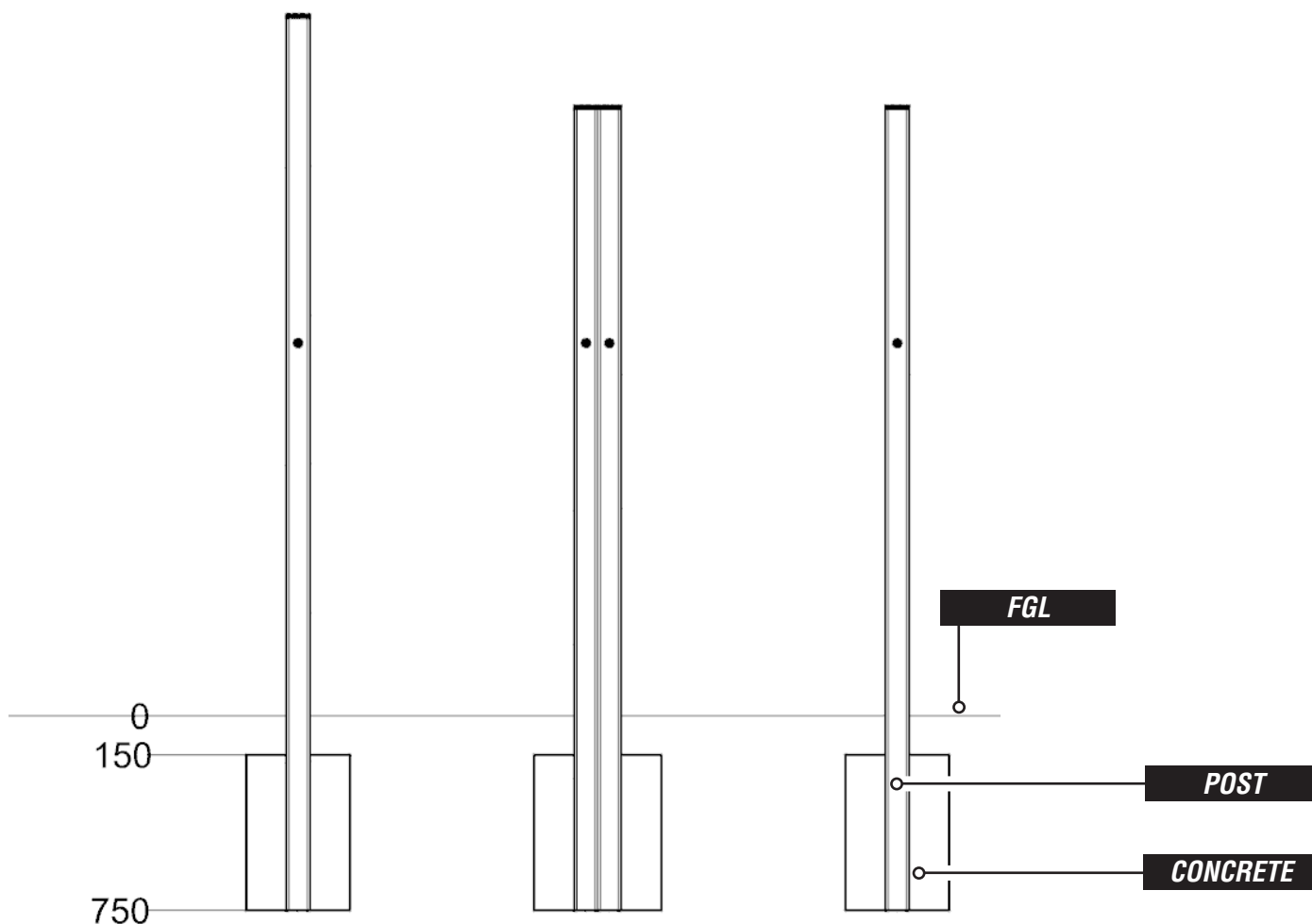
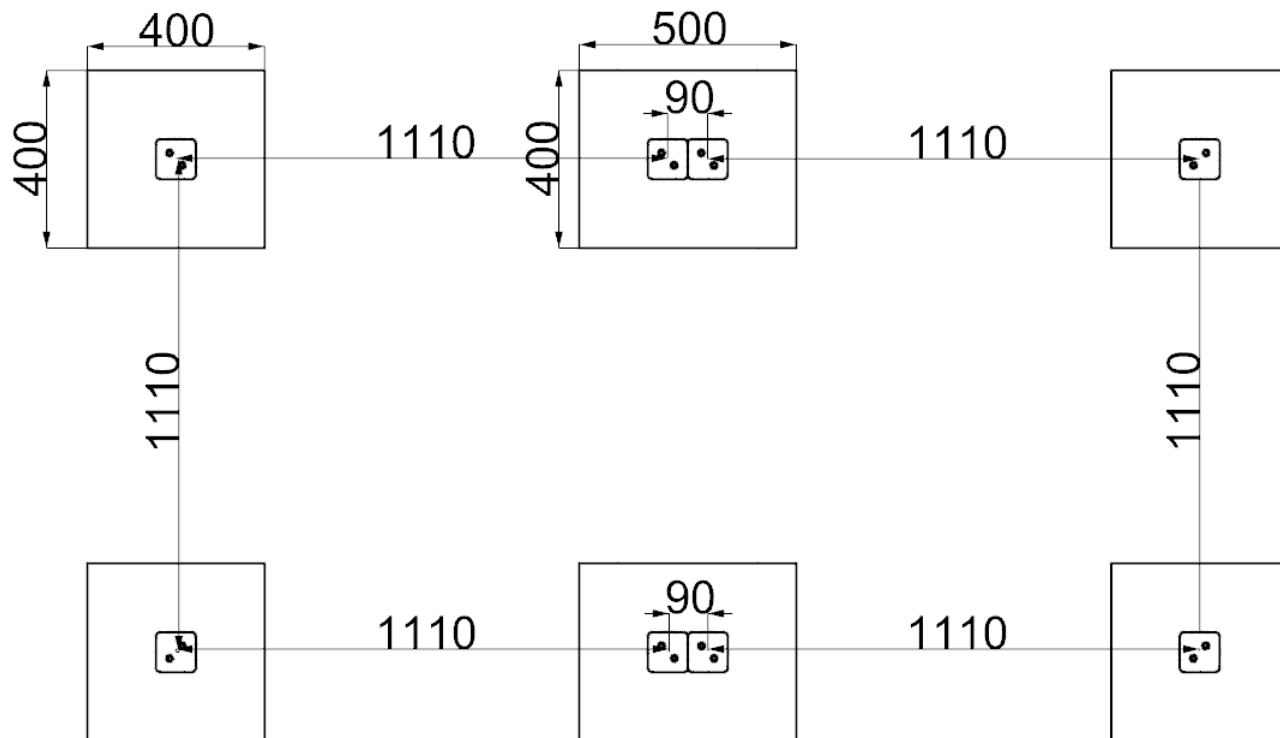
AC204 - RYDAL ACTIVITY CENTRE

Installation Instructions

creative
play

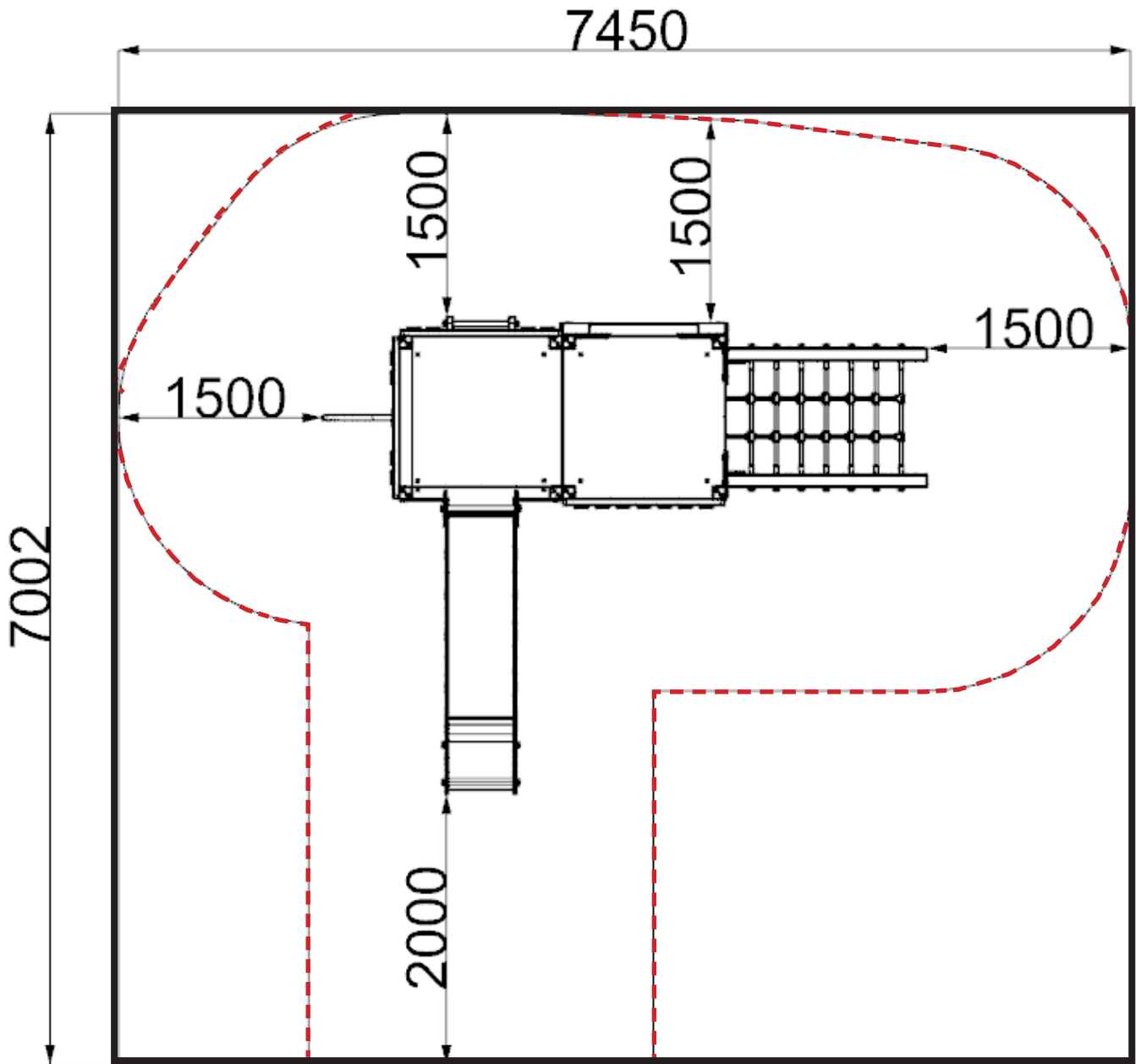


FOUNDATIONS

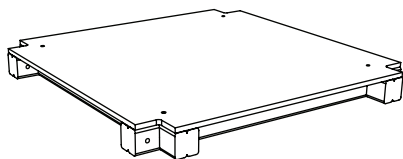


SURFACING DETAILS

- - - = MINIMUM SPACE
- = OVERALL AREA

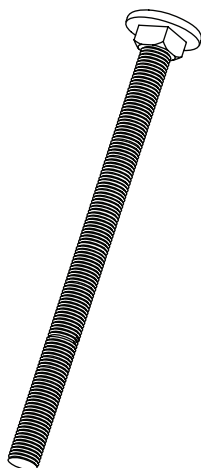


PARTS REQUIRED



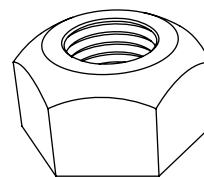
x2

JIGSAW FLOOR ASSEMBLY



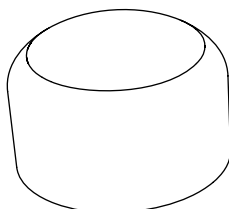
x6

274.M12X180



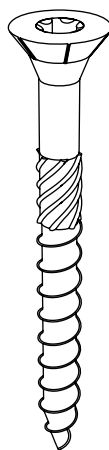
x8

656.M12



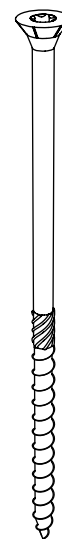
x8

102003-01



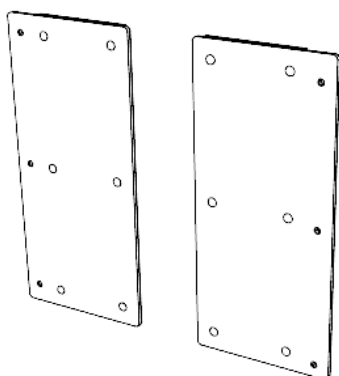
x6

97.M8X80CSK



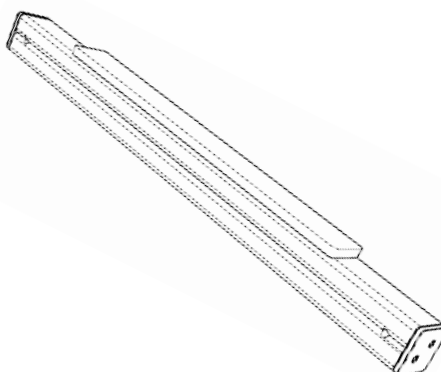
x12

97.M8X180CSK



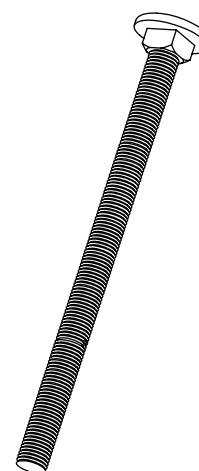
x1 (SET)

GUARD RAIL BARRIERS



x4 (1 log has bespoke hex slat)

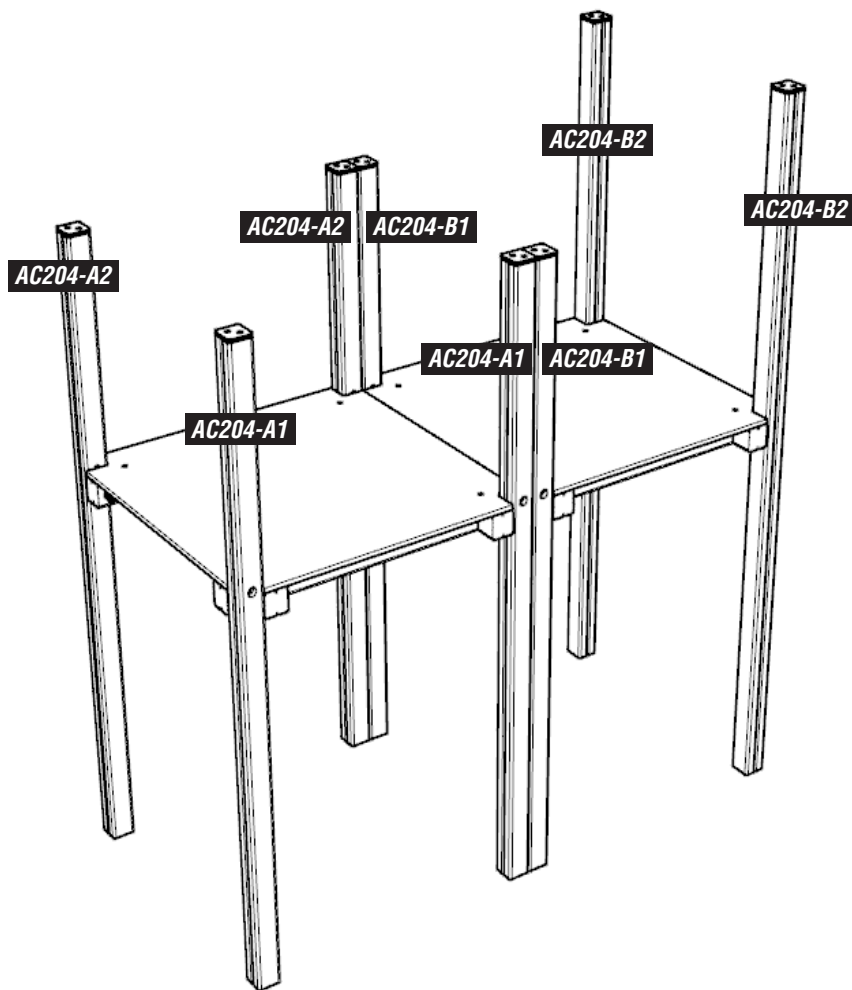
ACTIVITY CENTRE CLIMBING LOGS



x2

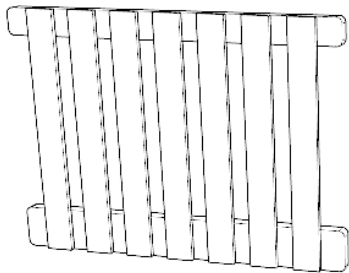
274.M12X200

PARTS REQUIRED - PLATFORM TIMBERS



<i>CODE</i>	<i>SIZE</i>	<i>QTY</i>	<i>ADDITIONAL INFORMATION</i>
<i>AC204-A1</i>	<i>3090</i>	<i>2</i>	<i>PLATFORM A</i>
<i>AC204-A2</i>	<i>3090</i>	<i>2</i>	<i>PLATFORM A</i>
<i>AC204-B1</i>	<i>3090</i>	<i>2</i>	<i>PLATFORM B</i>
<i>AC204-B2</i>	<i>3442</i>	<i>2</i>	<i>PLATFORM B</i>

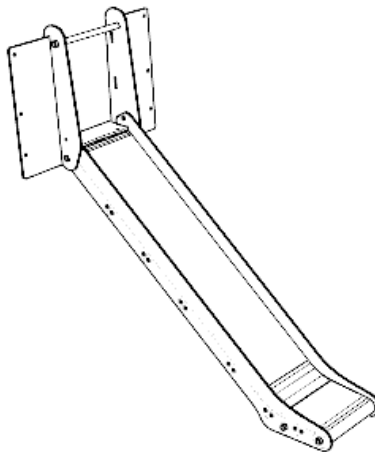
PARTS REQUIRED - STANDARD JIGSAW PARTS



x1 .inc standard fixings

JIGSAW STANDARD PART

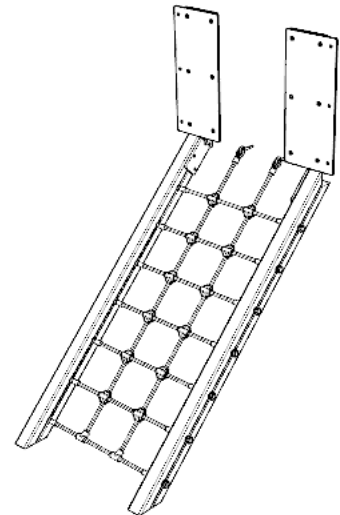
JIG201 - GUARD RAIL STRAIGHT



x1 .inc standard fixings

JIGSAW STANDARD PART

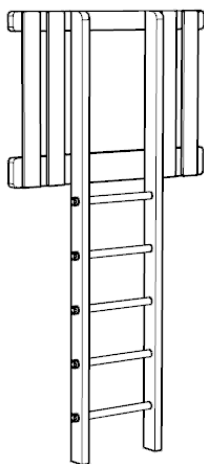
JIG1511 - SLIDE



x1 .inc standard fixings

JIGSAW STANDARD PART

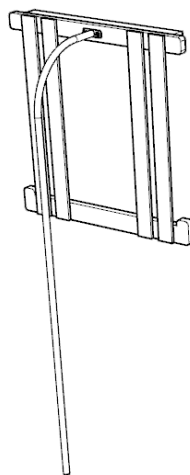
JIG1514 - NET CLIMBER



x1 .inc standard fixings

JIGSAW STANDARD PART

JIG1516 - RUNG LADDER



x1 .inc standard fixings

JIGSAW STANDARD PART

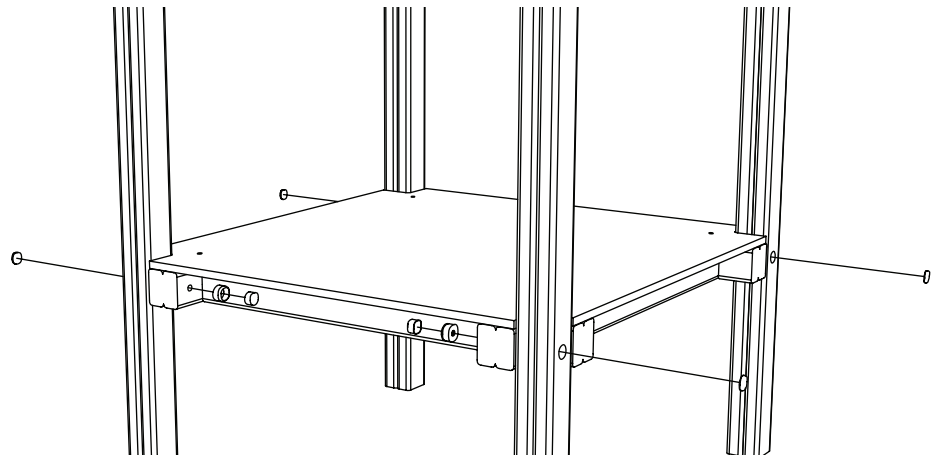
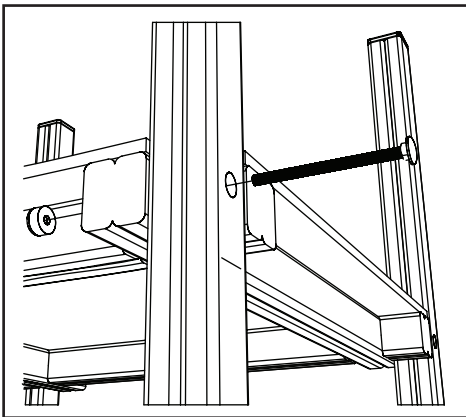
JIG1517 - FIREFIGHTERS POLE

INSTALLATION INSTRUCTIONS

1 ATTACH FLOOR ASSEMBLY TO UPRIGHT TIMBERS - SEE STEP BELOW FOR LOCATIONS

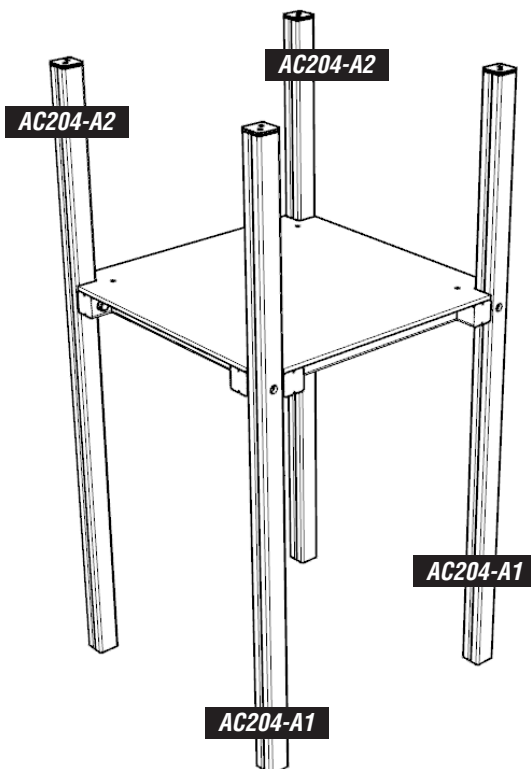
USING 274.M12X180 / 656.M12 / 102003-01

NOTES:
NYLOC & COVERED END ARE ALWAYS
POSITIONED ON THE INSIDE

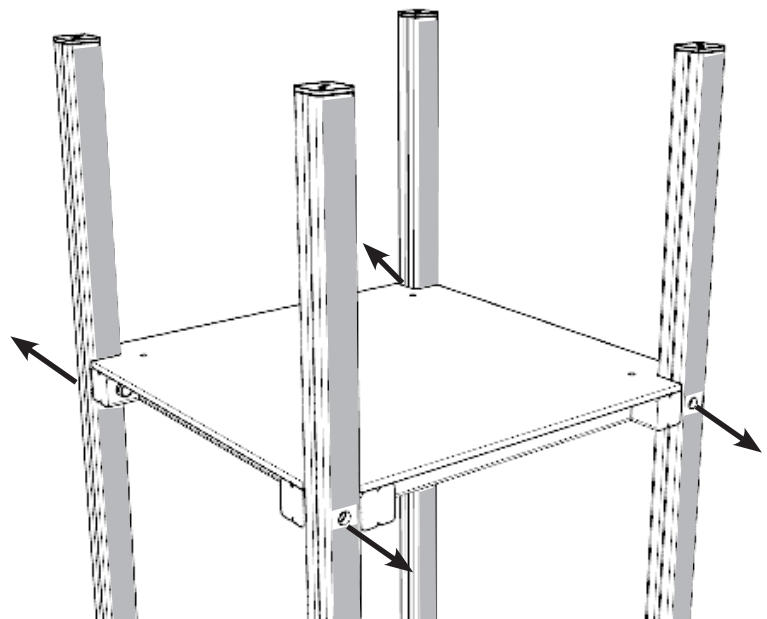


2 PRE - ASSEMBLE PLATFORM A USING TIMBERS SHOWN BELOW

ENSURE ALL PLANE FACES POINT IN SAME DIRECTION (GREY) & COUNTERSINKS ON OUTSIDE OF PLATFORM (ARROWS)



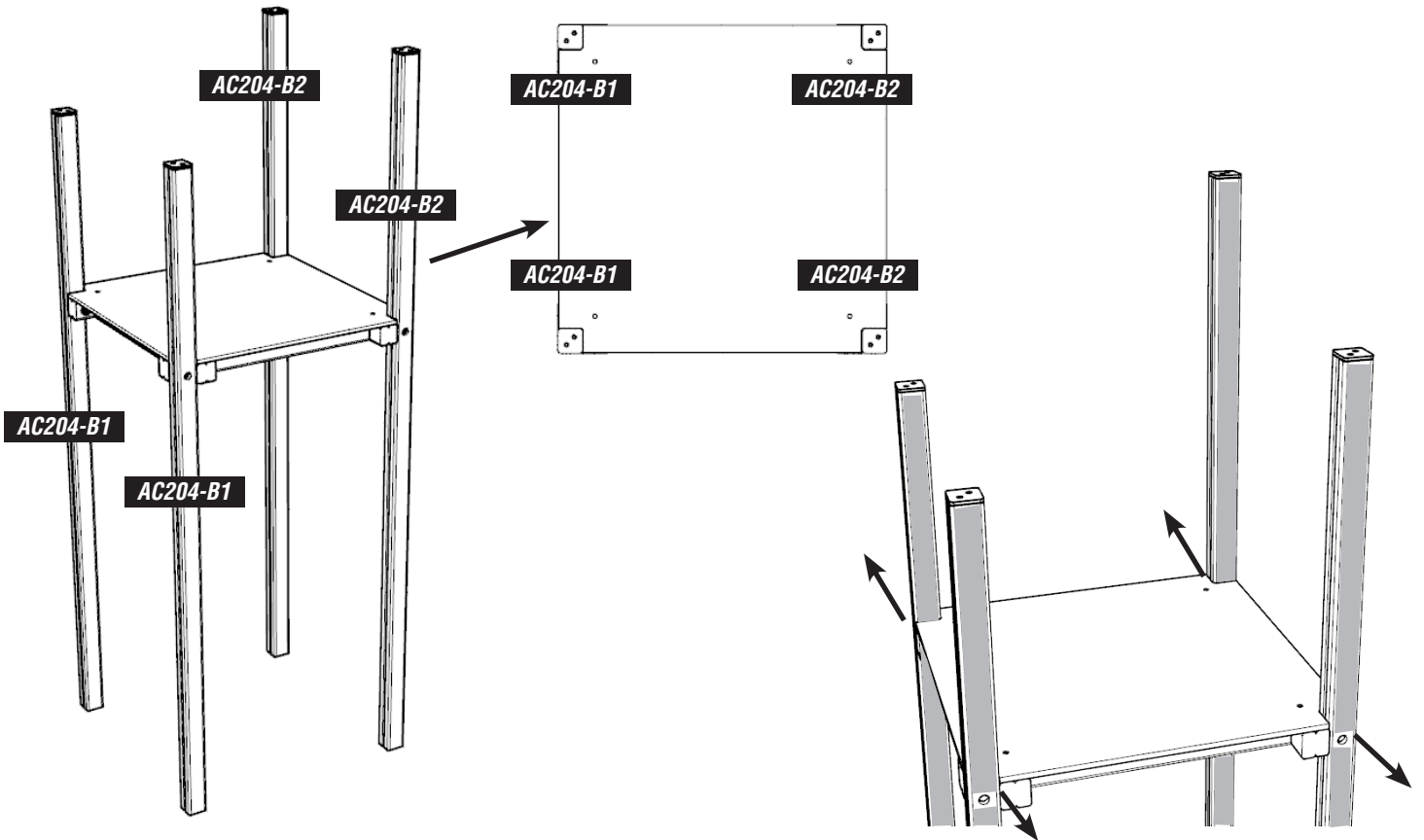
LOOSE FIT THE A1 TIMBERS - ADDITIONAL STEPS
REQUIRED (STEP 6)



3

PRE - ASSEMBLE PLATFORM B USING TIMBERS IN LOCATION SHOWN BELOW

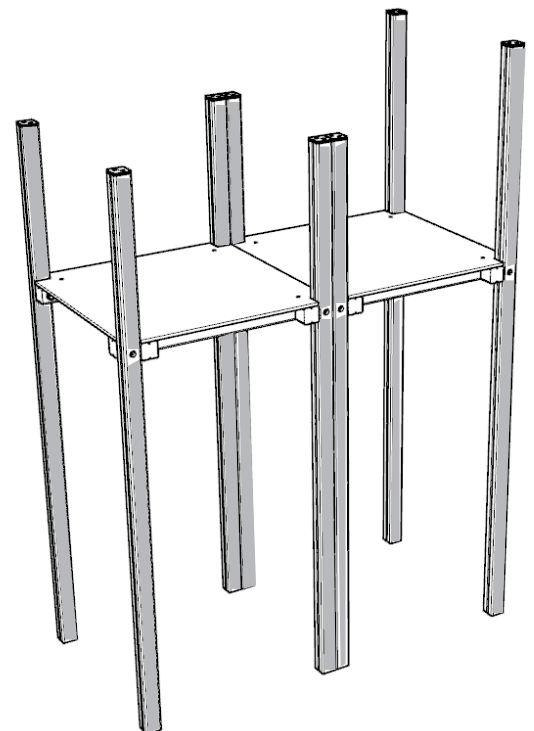
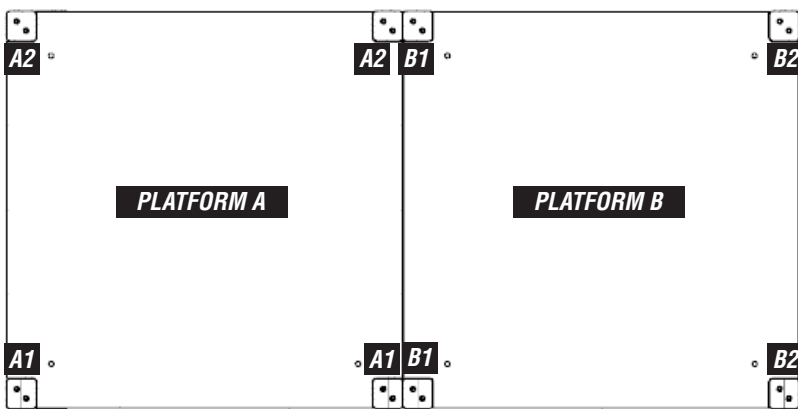
ENSURE ALL PLANE FACES POINT IN SAME DIRECTION (GREY) & COUNTERSINKS ON OUTSIDE OF PLATFORM



4

BUTT ASSEMBLED PLATFORMS TOGETHER AS SHOWN/ACCORDING TO GROUNDPLAN

ENSURE ALL PLANE FACES OF PLATFORMS FACE FORWARD - SEE GREY SHADING BELOW

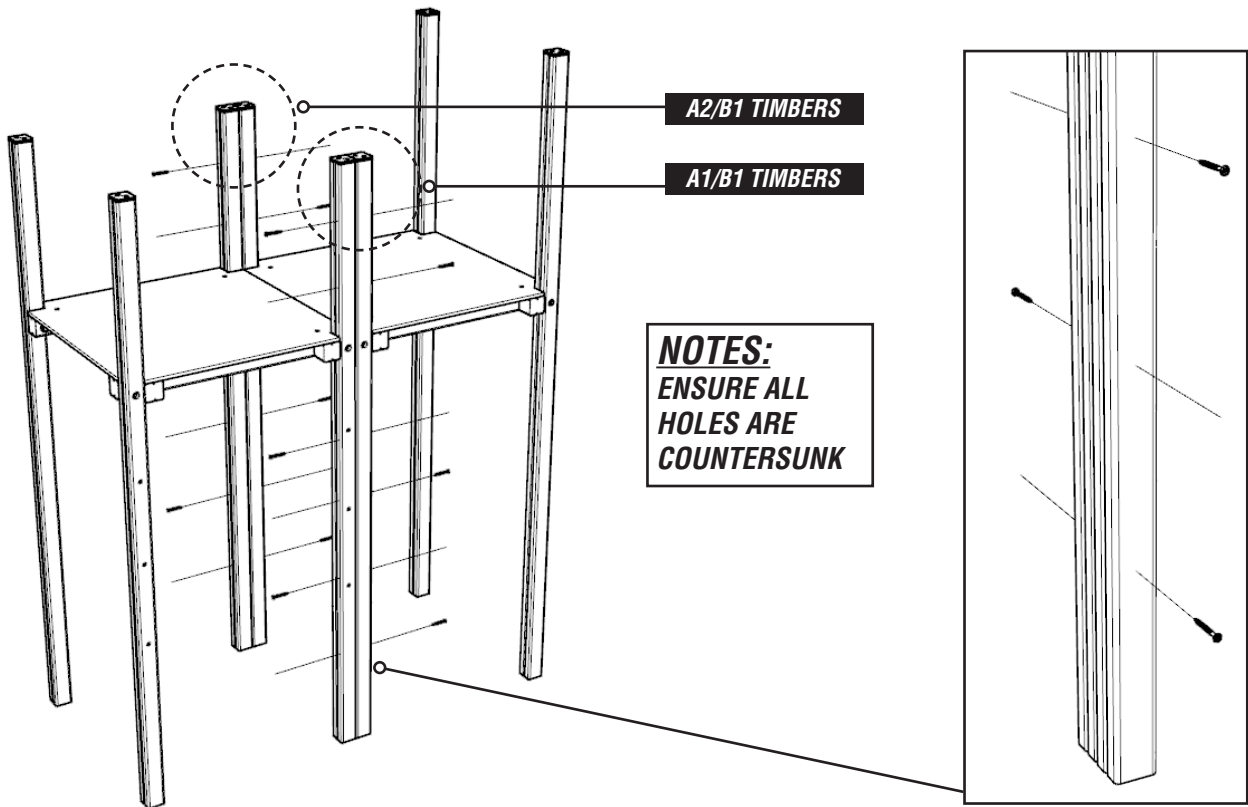


ENSURE:
PLATFORMS ARE
POSITIONED THE
CORRECT WAY AROUND
- SEE TIMBER LABEL
DIAGRAM ABOVE

5

FURTHER SECURE ANY TIMBERS BUTTED UP TO EACH OTHER (SEE BELOW)

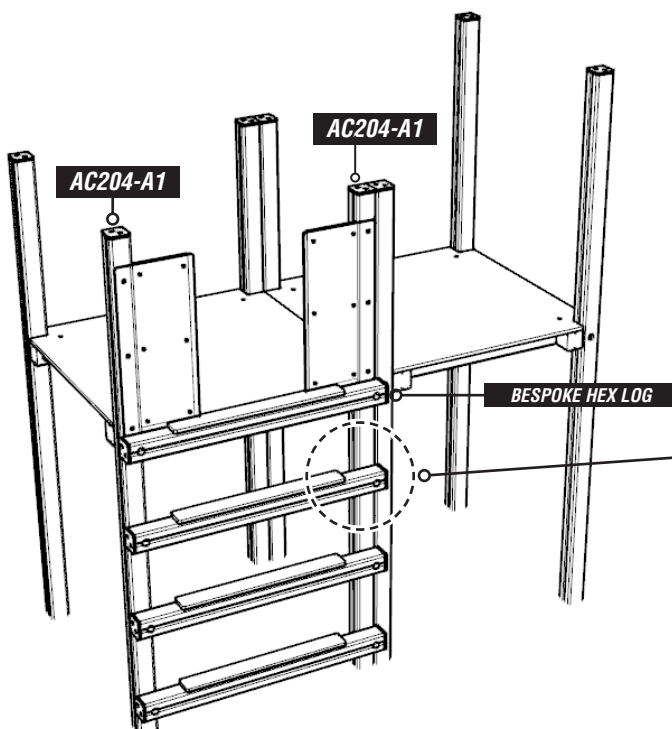
USING M8X180MM WOOD SCREWS, TIMBERS SHOULD BE SCREWED TOGETHER FROM FRONT & BACK OF PLANE



6

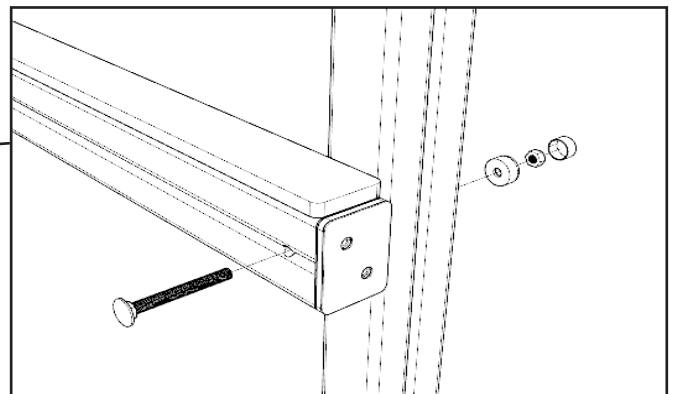
ATTACH ACTIVITY CENTRE CLIMBING LOGS IN LOCATION SHOWN

USING 274.M12X200 / 656.M12 / 102003-01



NOTES:
TOP LOG SHARES PLATFORM BOLT (ALREADY ATTACHED)

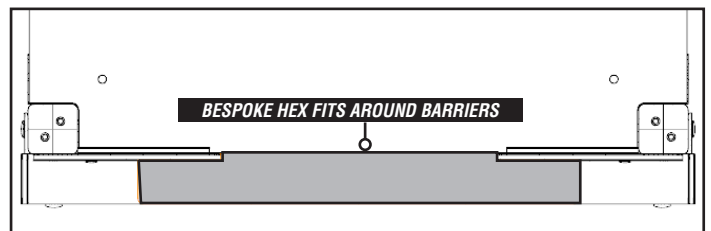
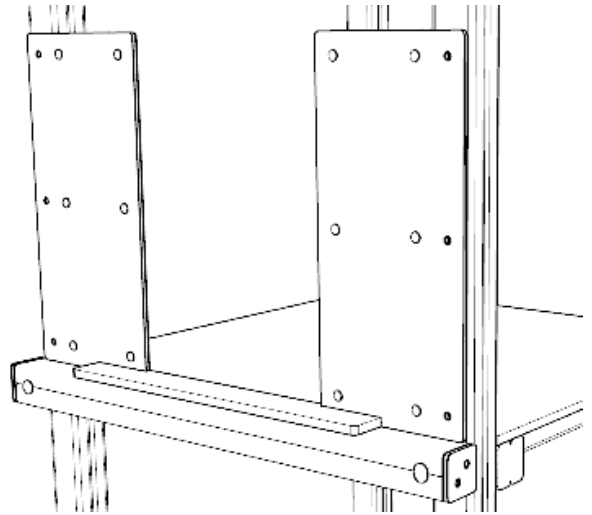
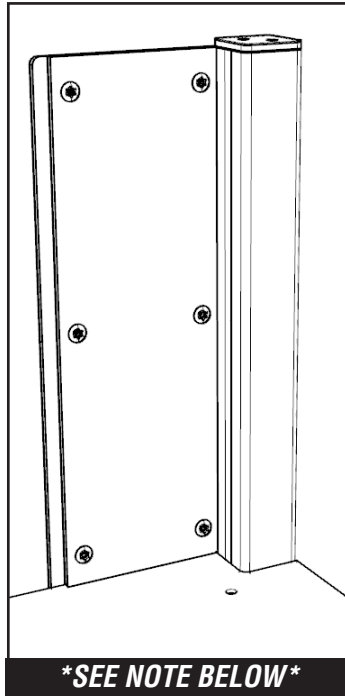
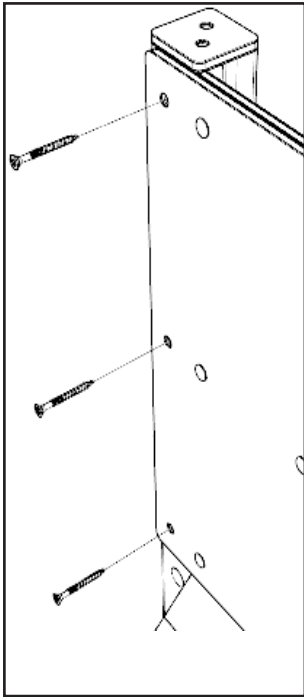
ENSURE BESPOKE HEX LOG IS ATTACHED AT THE TOP OF THE PLATFORM TO ALLOW GUARD RAILS TO BE FITTED - SEE NEXT STEP...



7

ATTACH BARRIERS

USING - 97.M8X80CSK X 6



NOTES:

***BARRIER REINFORCEMENT PANEL (ON REVERSE) SHOULD BUTT UP TO UPRIGHT TIMBER**

8

INSTALL STANDARD JIGSAW PARTS IN LOCATIONS SHOWN

USING STANDARD JIGSAW INSTRUCTIONS

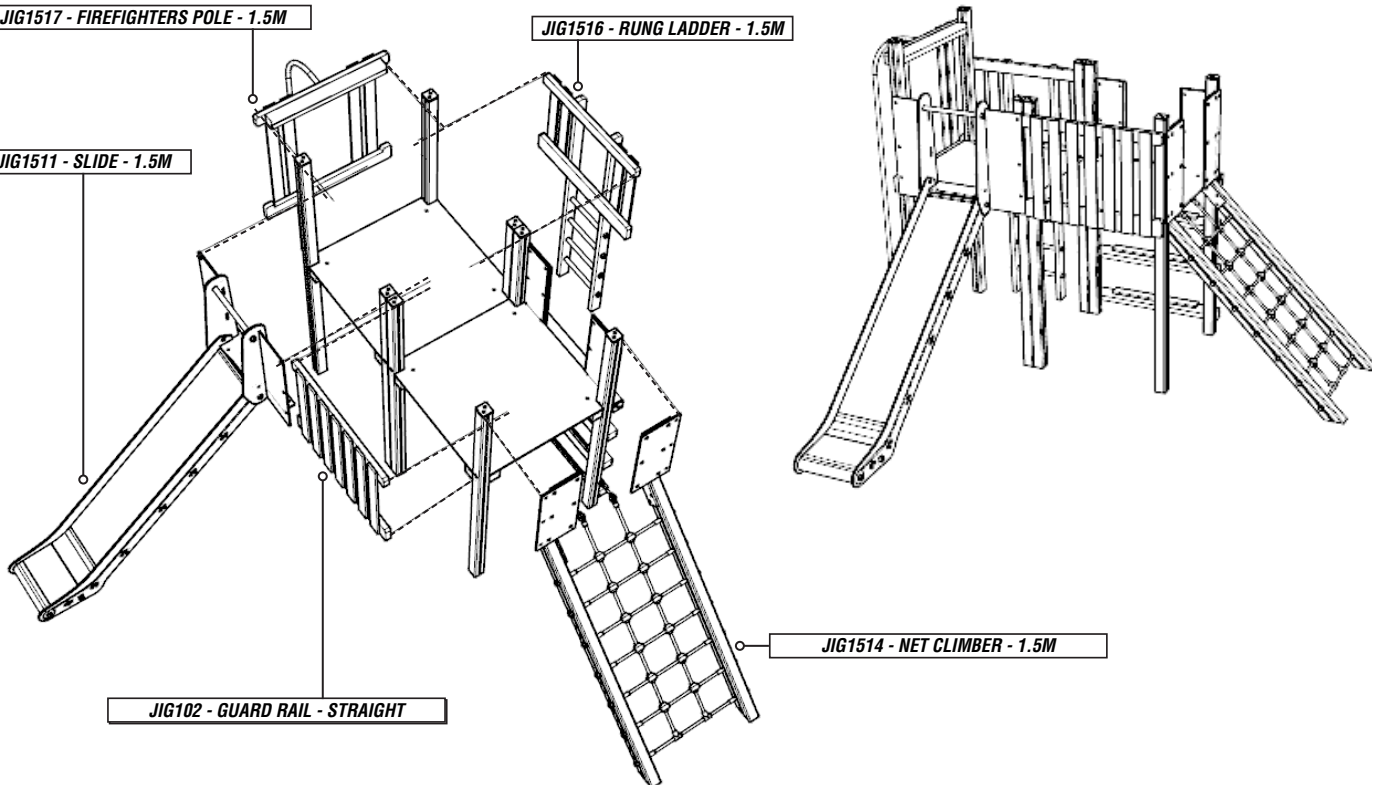
JIG1517 - FIREFIGHTERS POLE - 1.5M

JIG1516 - RUNG LADDER - 1.5M

JIG1511 - SLIDE - 1.5M

JIG1514 - NET CLIMBER - 1.5M

JIG102 - GUARD RAIL - STRAIGHT



ADDITIONAL DIMENSIONS

