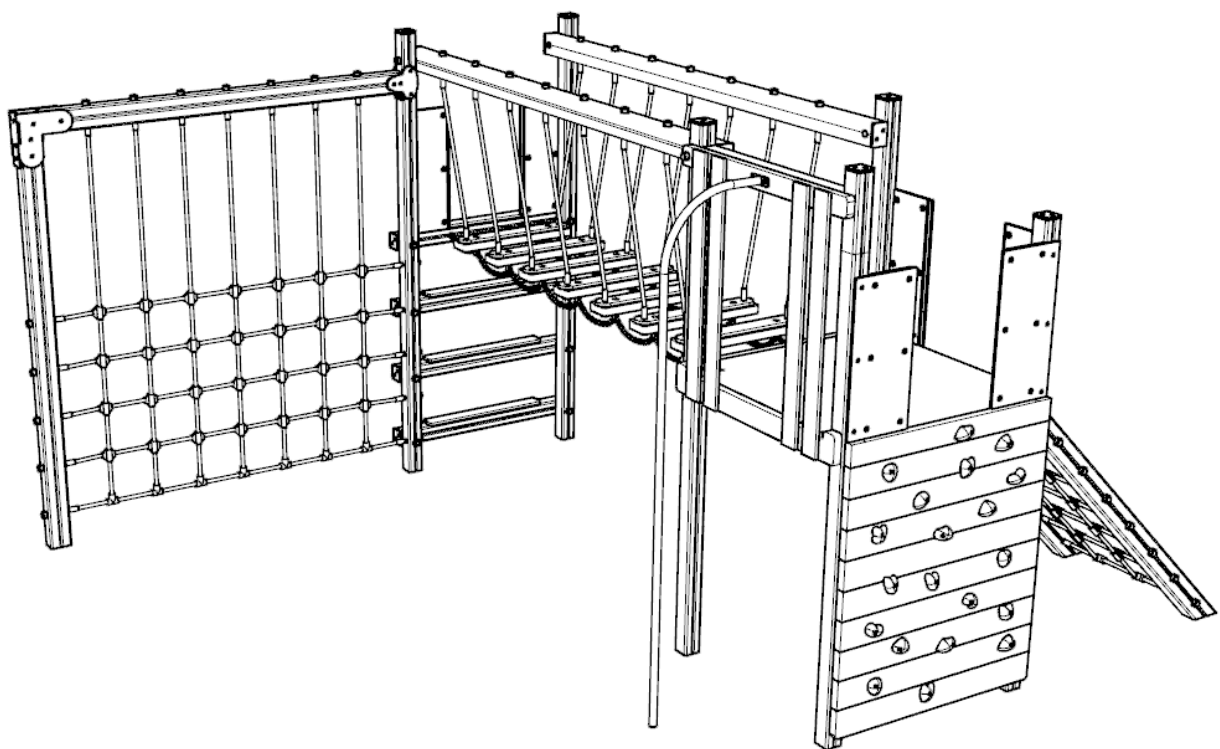
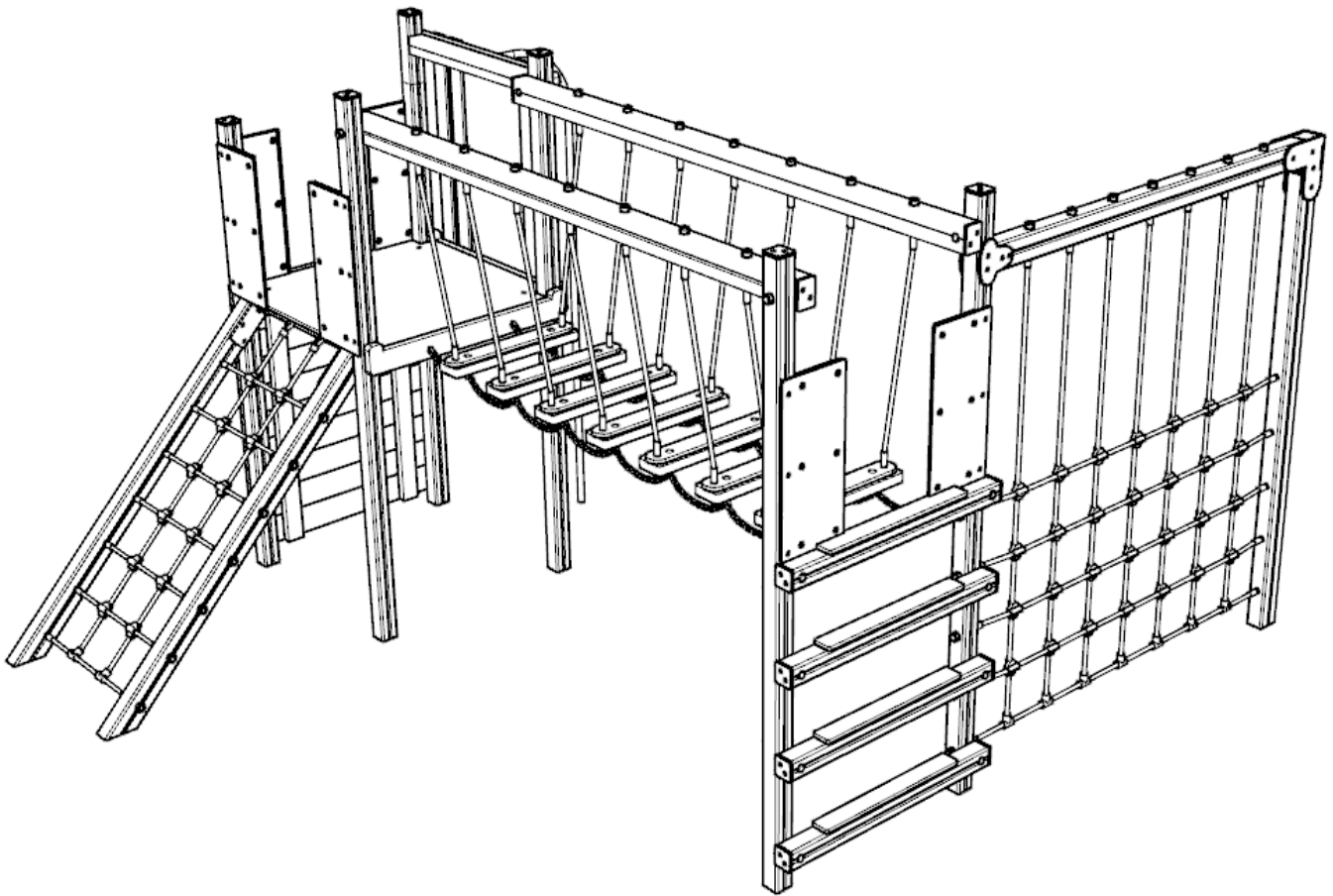


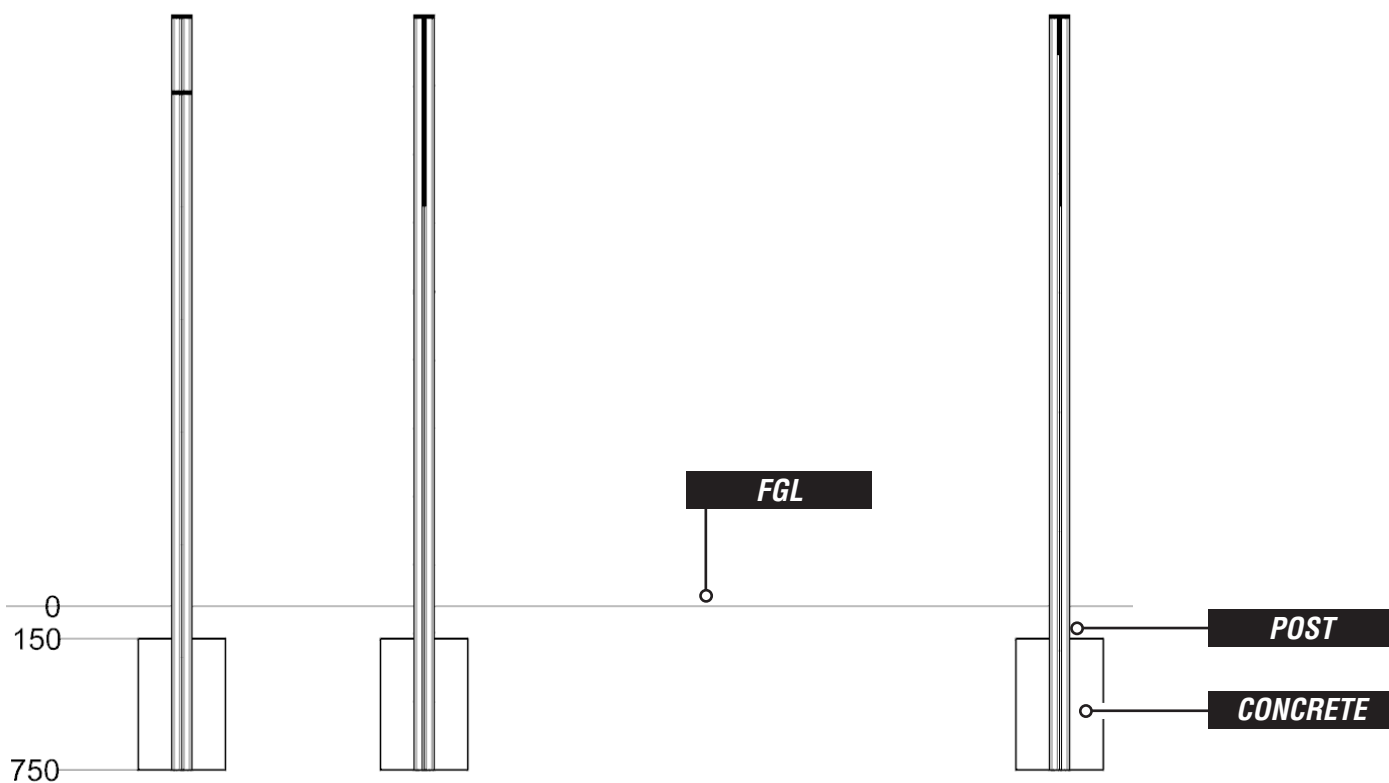
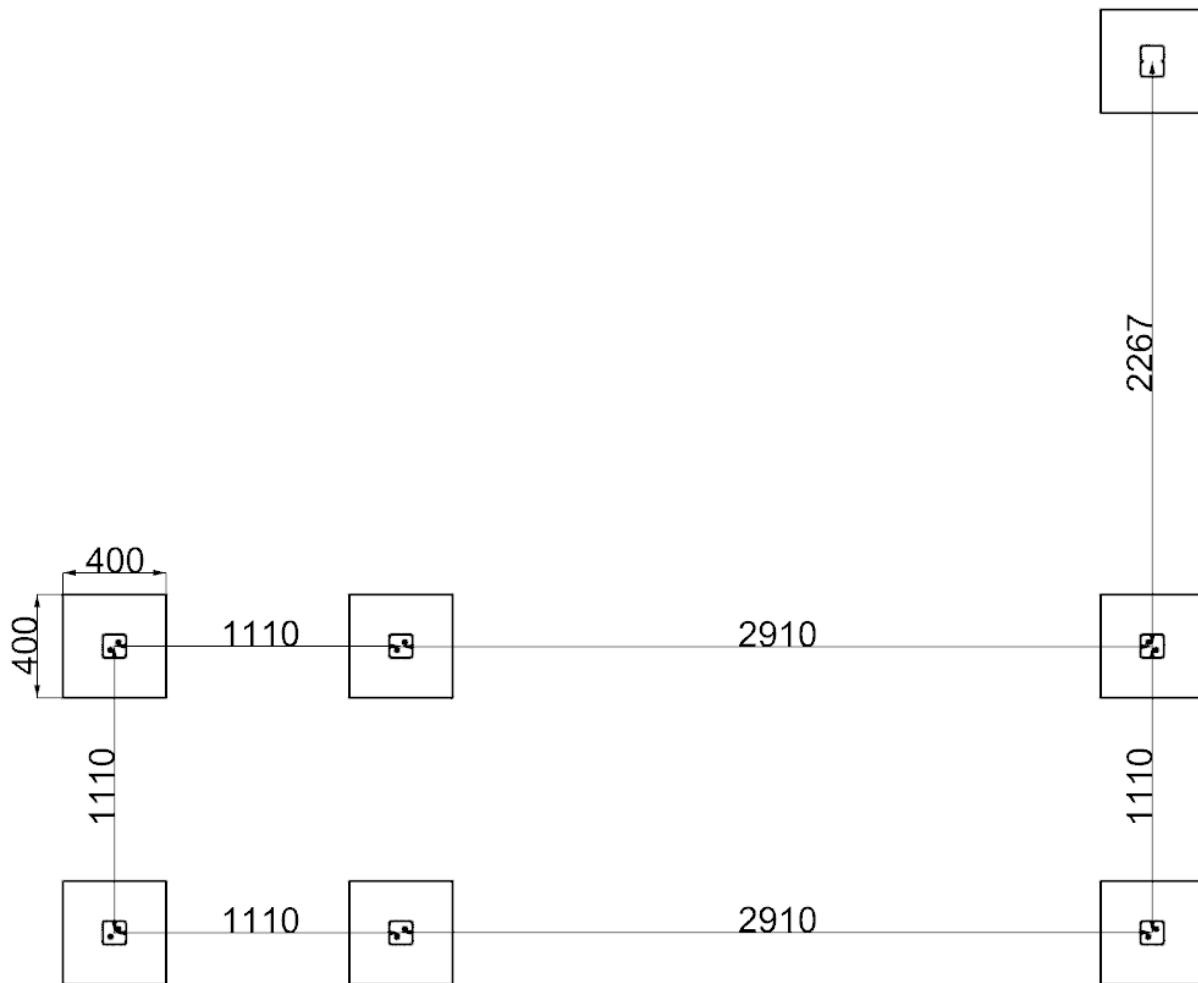
# AC203 - CALDER ACTIVITY CENTRE

## Installation Instructions

creative  
play

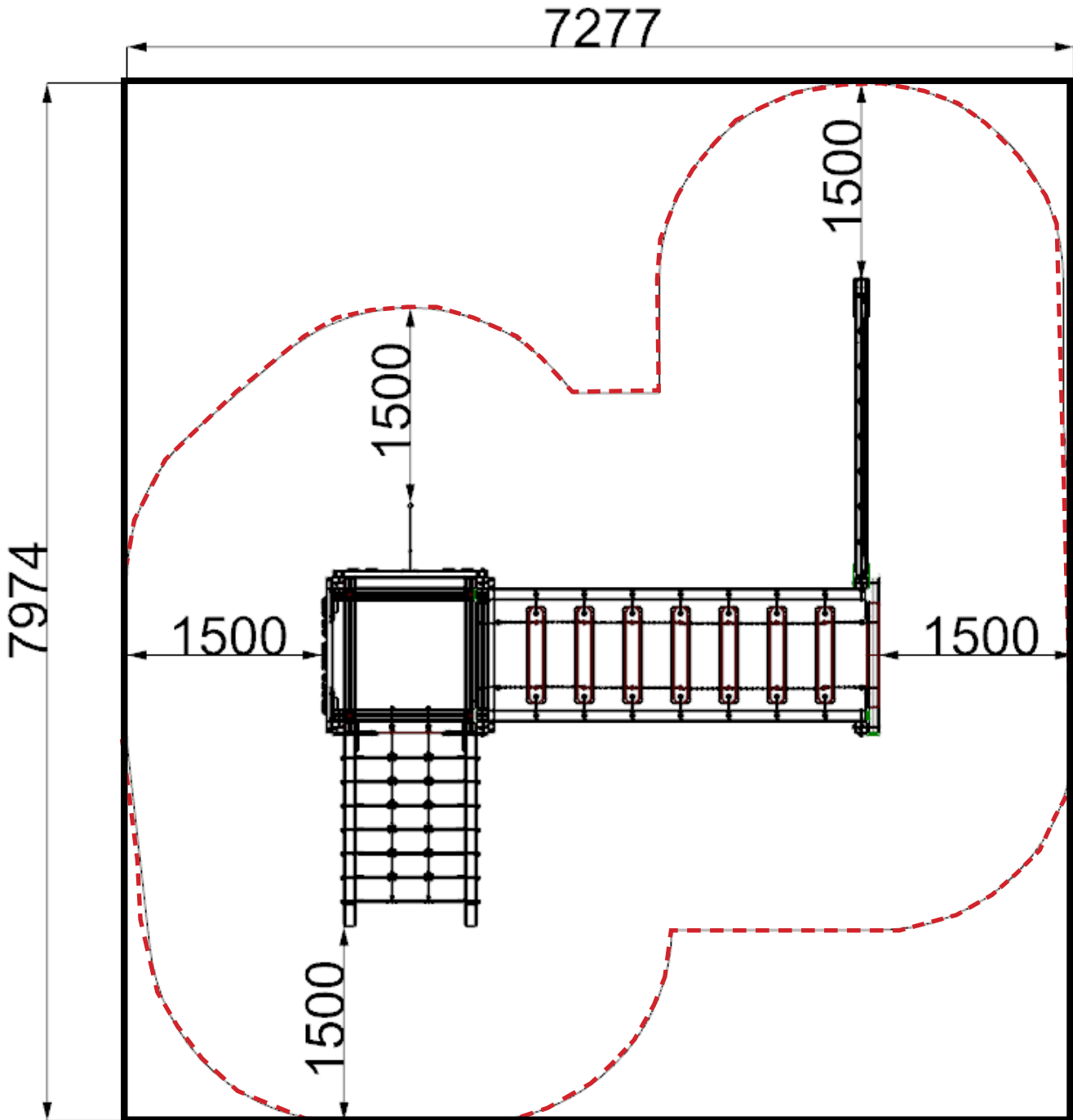


# FOUNDATIONS

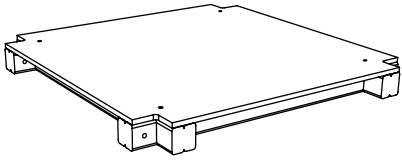


# ***SURFACING DETAILS***

- - - - - = MINIMUM SPACE***
- = OVERALL AREA***

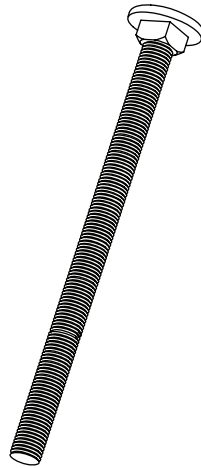


# PARTS REQUIRED



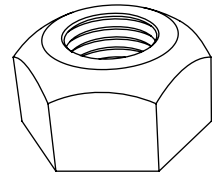
x1

**JIGSAW FLOOR ASSEMBLY**



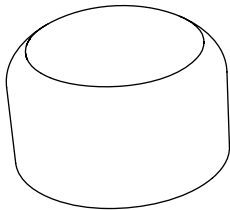
x2

**274.M12X180**



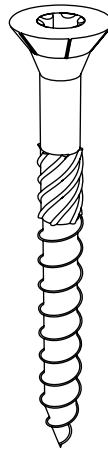
x48

**656.M12**



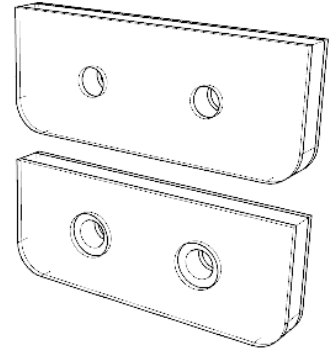
x48

**102003-01**



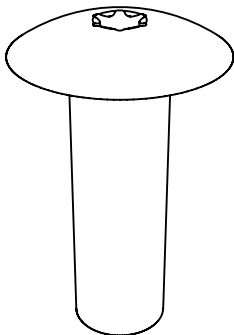
x33

**97.M8X80CSK**



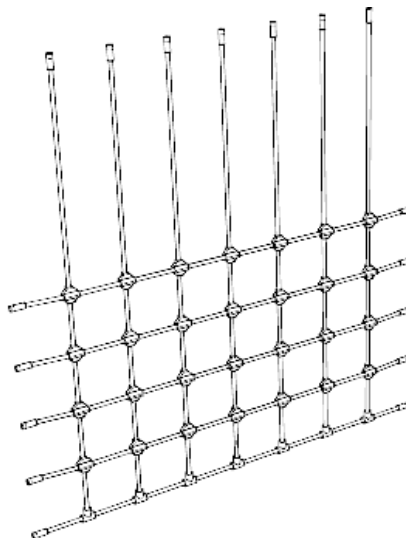
x2 (PAIRS)

**PLAYTEC - UNDER BRACKETS**



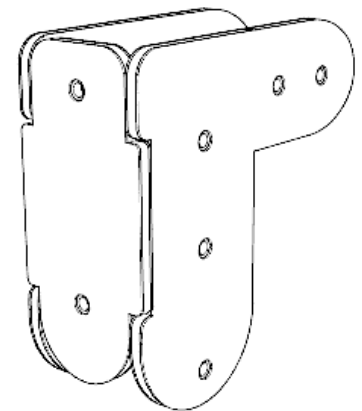
x3

**M12 SOCKET NUT (50MM)**



x1

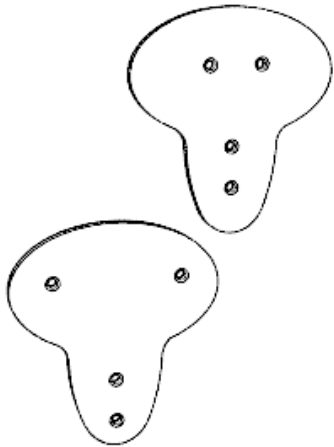
**AC CARGO NET**



x1

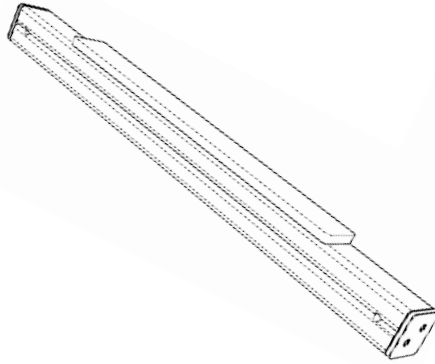
**120X90 PLAYTEC L SET**

# PARTS REQUIRED



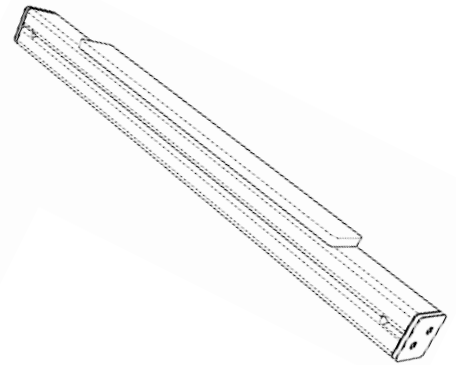
x1

**PLAYTEC T SET**



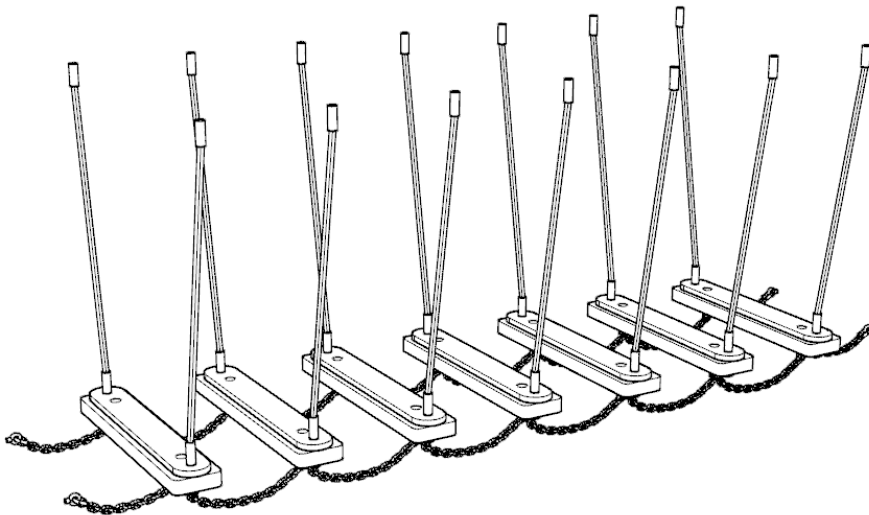
x3

**AC CLIMBING LOGS**



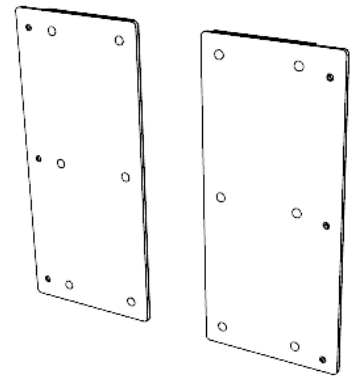
x1

**AC-CL2 CLIMBING LOG**



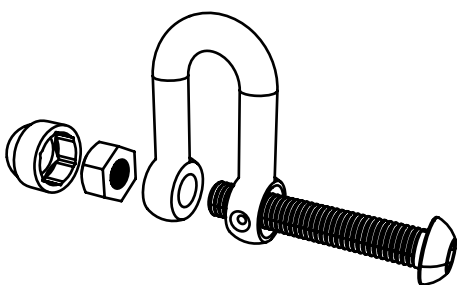
x1

**LOG BRIDGE PRE-ASSEMBLY**



x1 (SET)

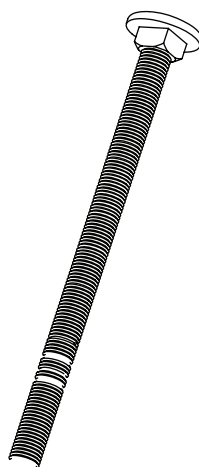
**GUARD RAIL BARRIERS**



**CONSISTS OF  
SHACKLE / BOLT / NYLOC / CAP**

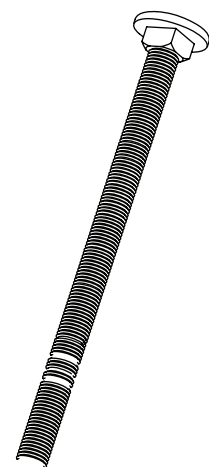
x4

**349.742.D-SHACKLE 'SET' (inc 4 spares)**



x2

**274.M12X270**

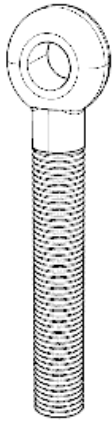


x11

**274.M12X200**

# ***PARTS REQUIRED***

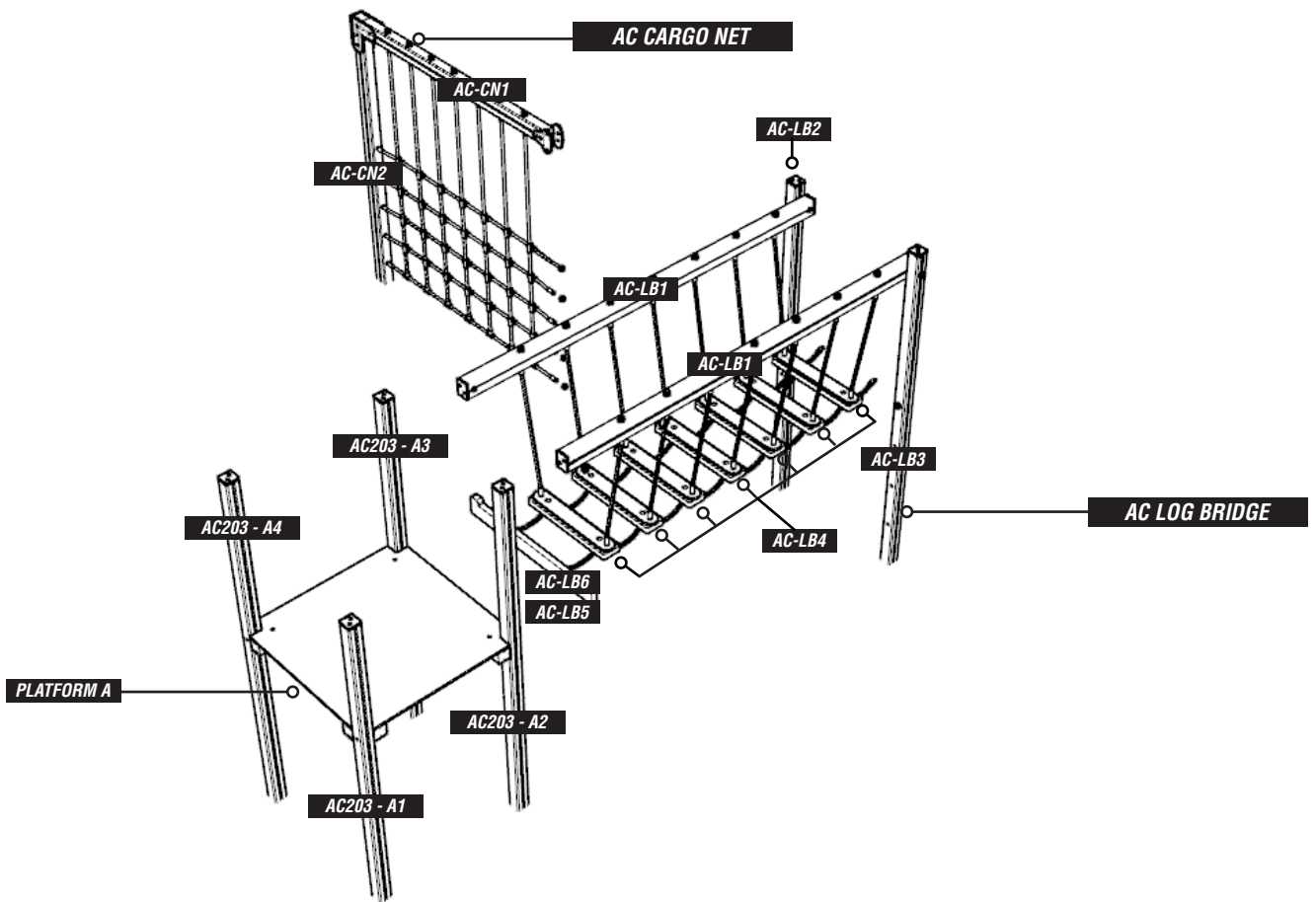
---



**x2**

***EYEBOLT (100MM)***

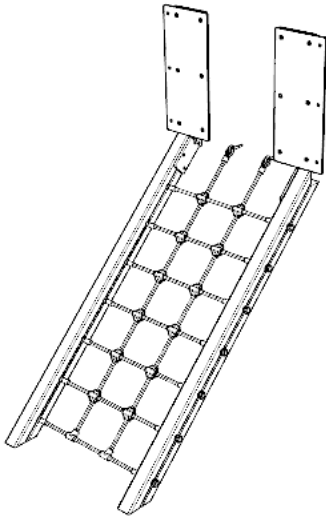
# PARTS REQUIRED - TIMBERS



CODE	SIZE	QTY	ADDITIONAL INFORMATION
AC203-A1	3093	1	PLATFORM A
AC203-A2	3441	1	PLATFORM A
AC203-A3	3441	1	PLATFORM A
AC203-A4	3441	1	PLATFORM A
AC-CN1	2280	1	CARGO NET
AC-CN2	3100	1	CARGO NET
AC-LB1	3000	2	LOG BRIDGE HAND RAILS
AC-LB2	3441	1	END UPRIGHT
AC-LB3	3441	1	END UPRIGHT
AC-LB4	740	7	LOG BRIDGE STEPS
AC-LB5	840	1	UNDER PLATFORM SUPPORT
AC-LB6	1180	1	LOG BRIDGE PLATFORM TRIM

# ***PARTS REQUIRED - STANDARD JIGSAW PARTS***

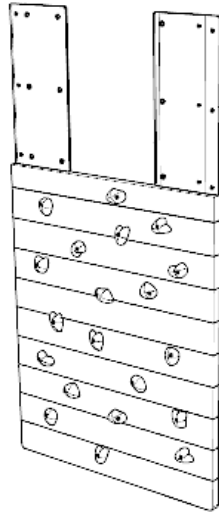
---



***x1 .inc standard fixings***

***JIGSAW STANDARD PART***

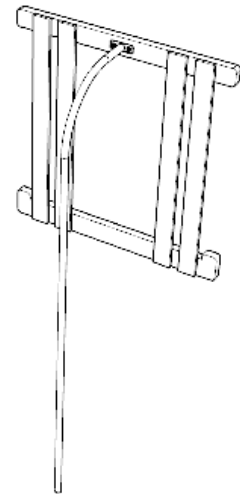
***JIG1514 - NET CLIMBER***



***x1 .inc standard fixings***

***JIGSAW STANDARD PART***

***JIG1515 - CLIMBING PANEL***



***x1 .inc standard fixings***

***JIGSAW STANDARD PART***

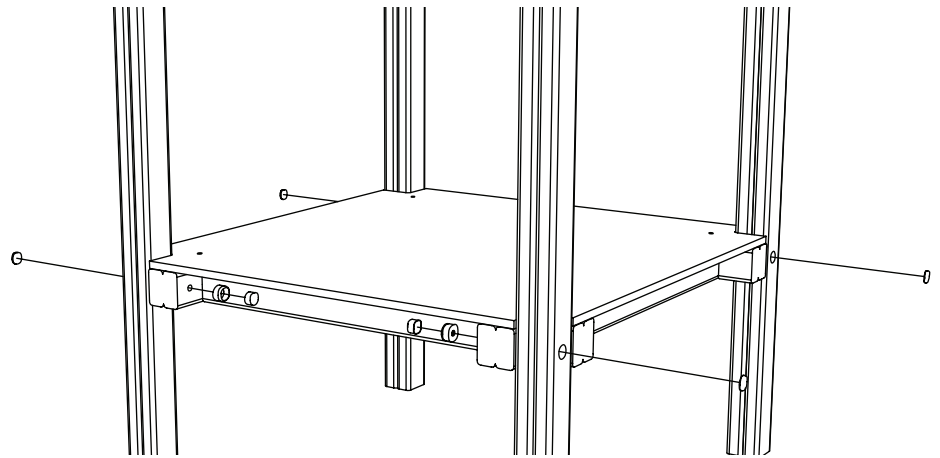
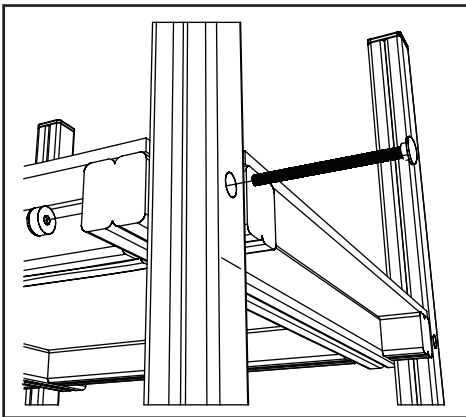
***JIG1517 - FIREFIGHTERS POLE***



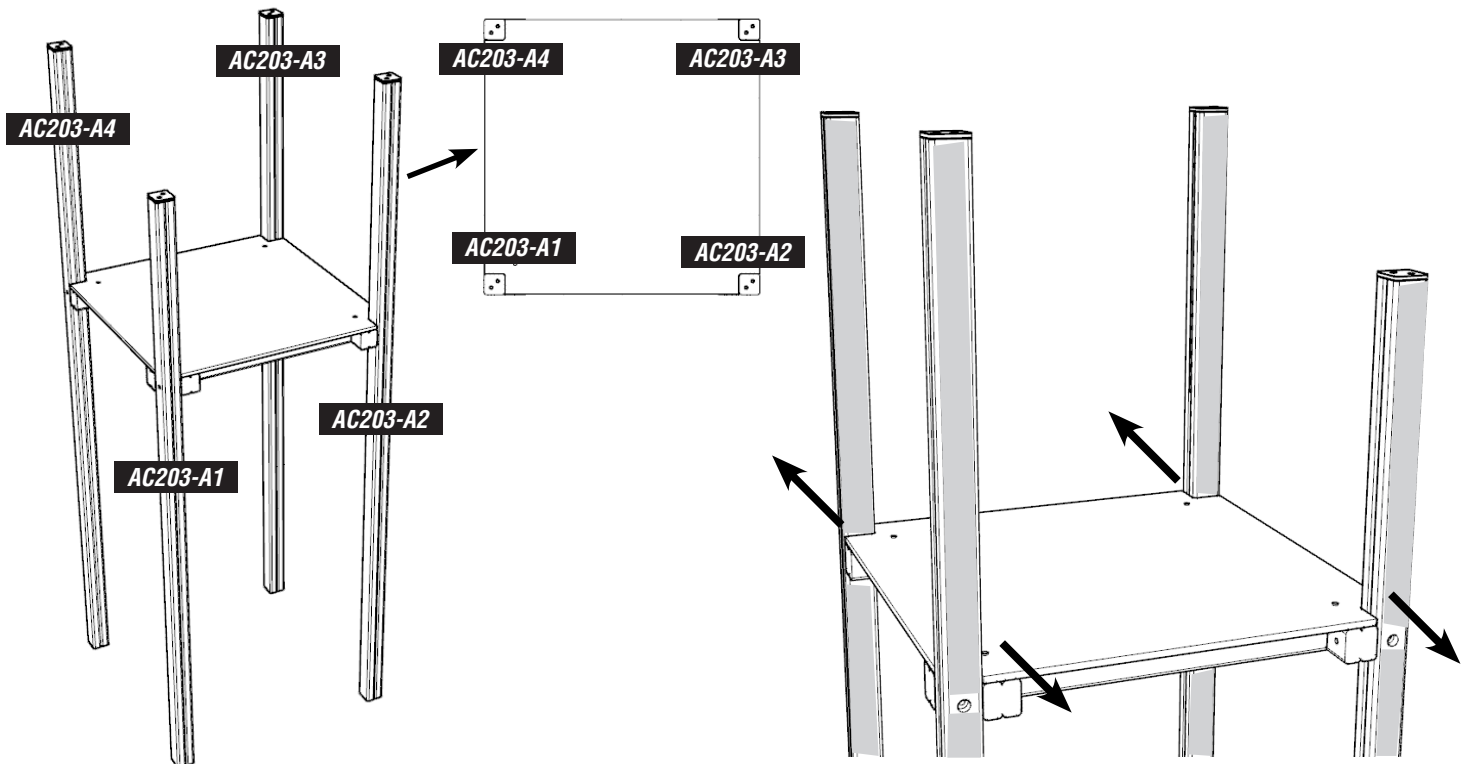
# INSTALLATION INSTRUCTIONS

## **1** ATTACH FLOOR ASSEMBLY TO UPRIGHT TIMBERS - SEE STEP BELOW FOR LOCATIONS USING 274.M12X180 / 656.M12 / 102003-01

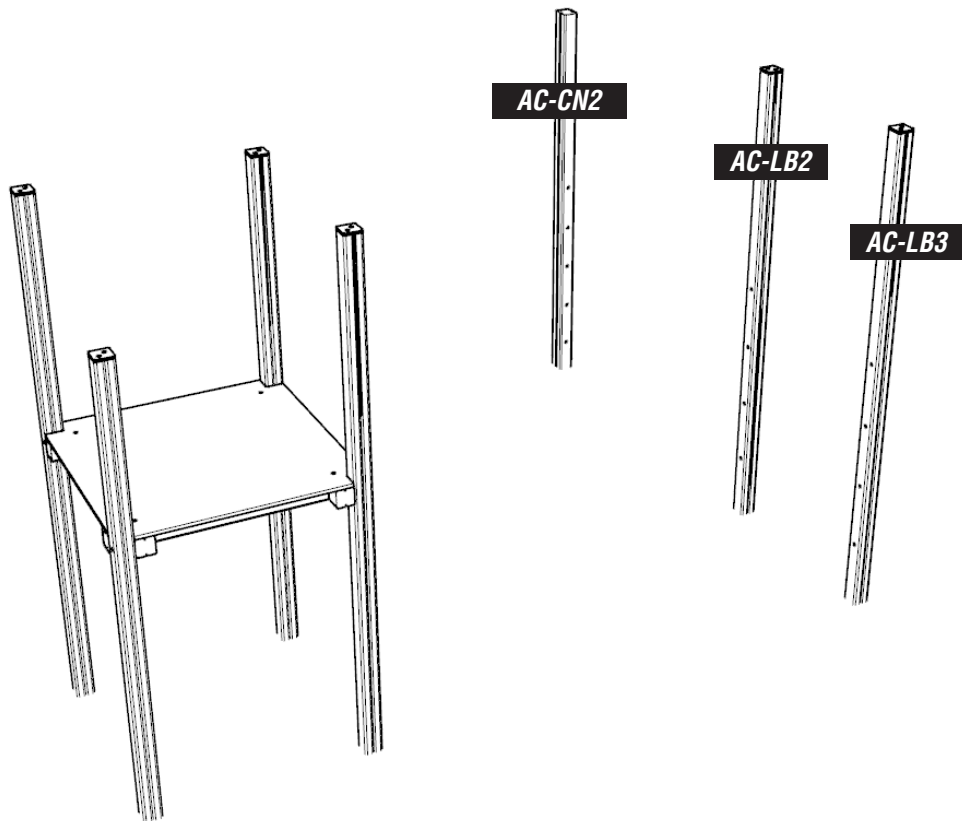
**NOTES:**  
NYLOC & COVERED END ARE ALWAYS  
POSITIONED ON THE INSIDE



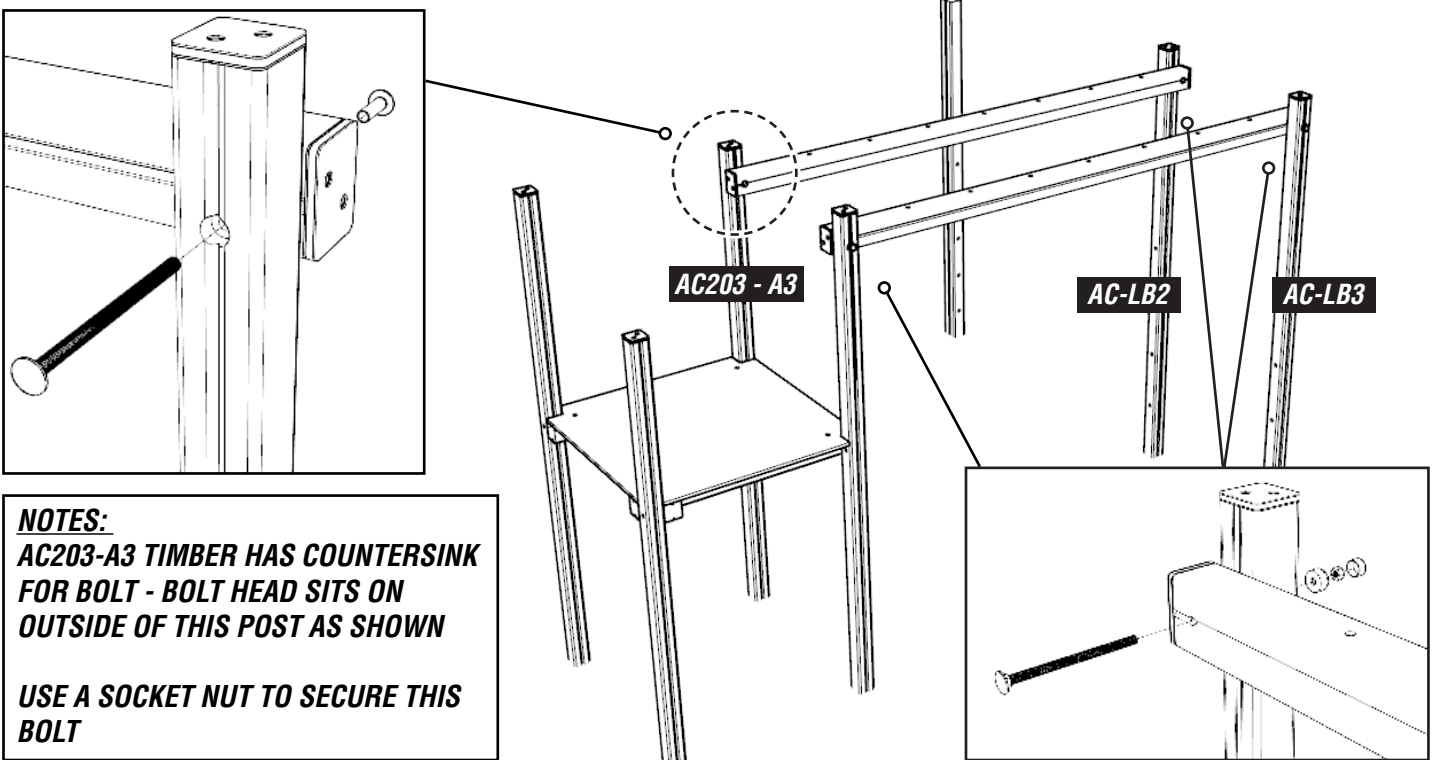
## **2** PRE - ASSEMBLE PLATFORM A USING TIMBERS SHOWN BELOW ENSURE ALL PLANE FACES POINT IN SAME DIRECTION (GREY) & COUNTERSINKS ON OUTSIDE OF PLATFORM (ARROWS)



**3** POSITION UPRIGHTS SHOWN BELOW ACCORDING TO GROUNDPLAN

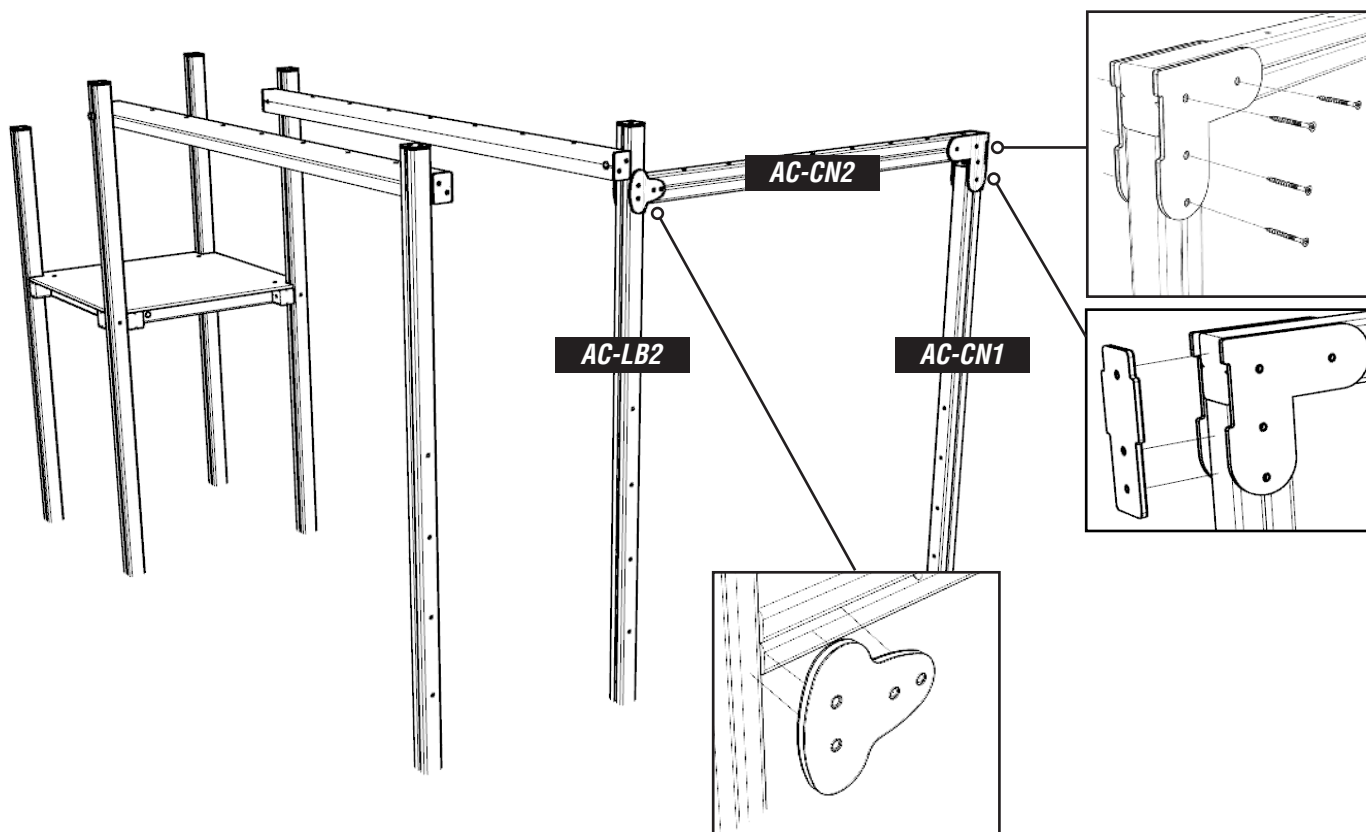


**4** ATTACH AC-LB1 TIMBERS TO PLATFORM AND AC-LB2 & LB3 TIMBERS  
USING 274.M12X200 / 656.M12 / 102003-01 & 274.M12X180 / 656.M12 / 102003-01 (180 BOLT CIRCLED BELOW)



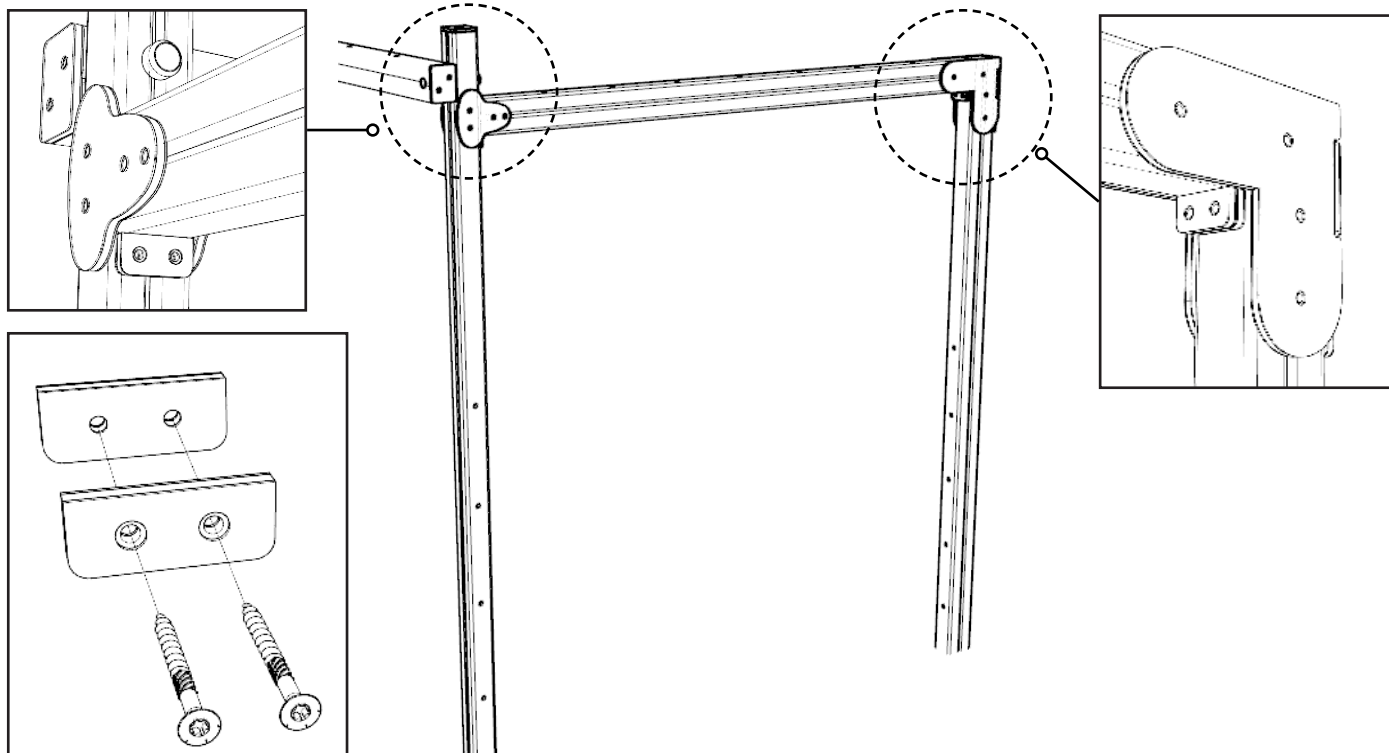
**5**

**ATTACH AC-CN2 TIMBER TO AC-LB2 & AC-CN1 AS SHOWN USING PLAYTEC L & T SETS USING M8X80MM WOOD SCREWS**

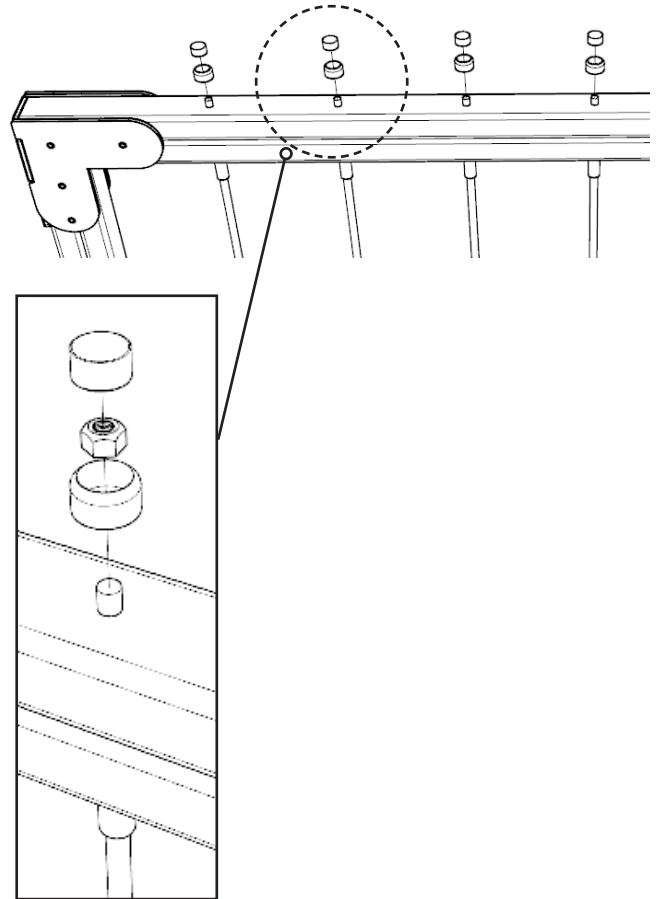
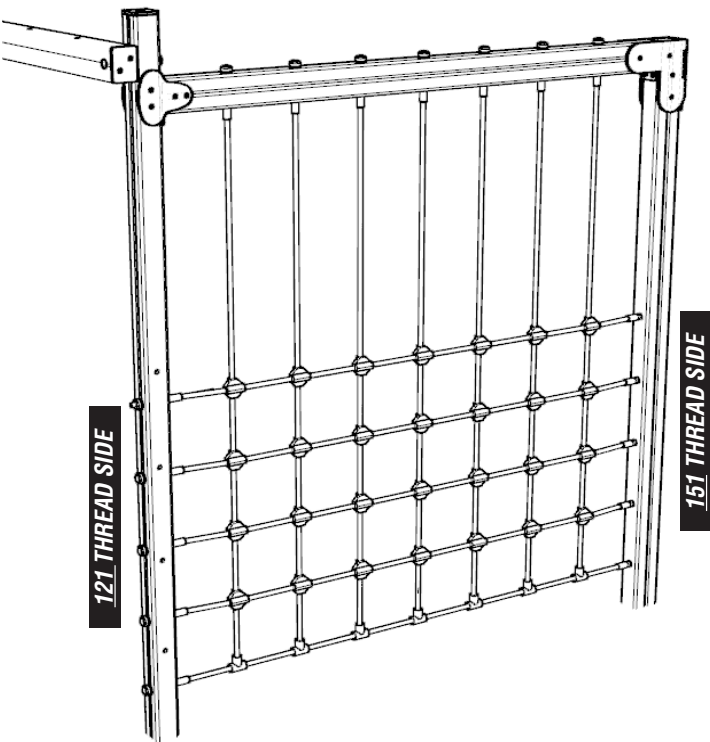
**6**

**ATTACH PLAYTEC - UNDER BRACKETS**

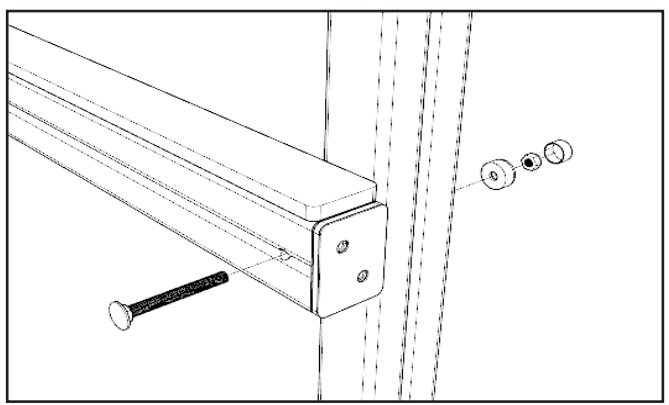
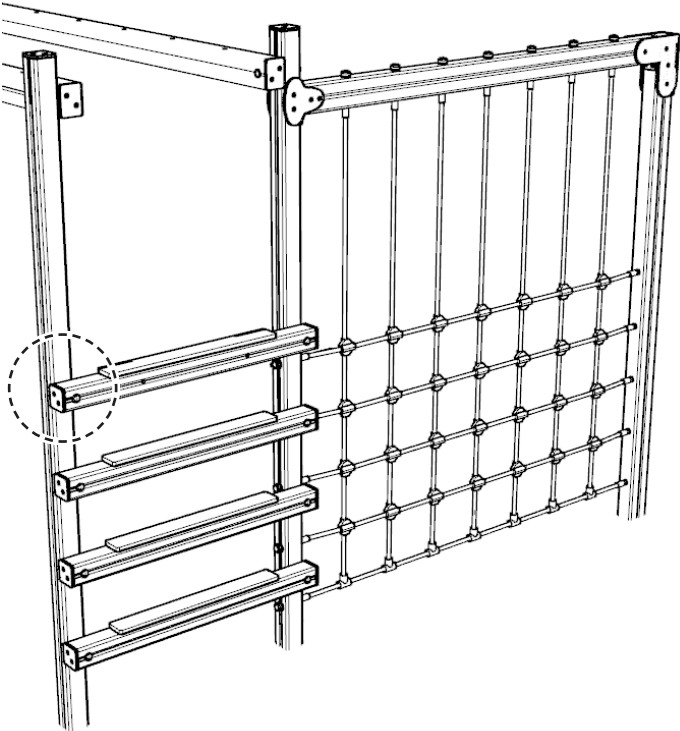
**USING 8X80 WOOD SCREWS, ASSEMBLE UNDERBRACKETS IN LOCATIONS SHOWN BELOW**



**7** ATTACH AC CARGO NET  
USING 656.M12 / 102003-01



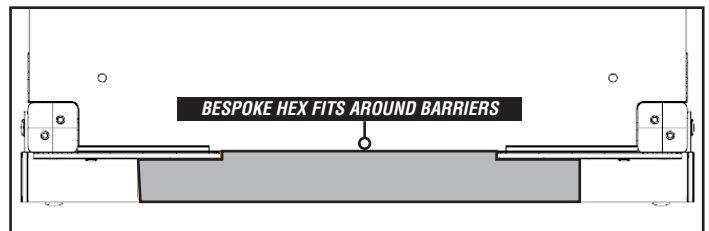
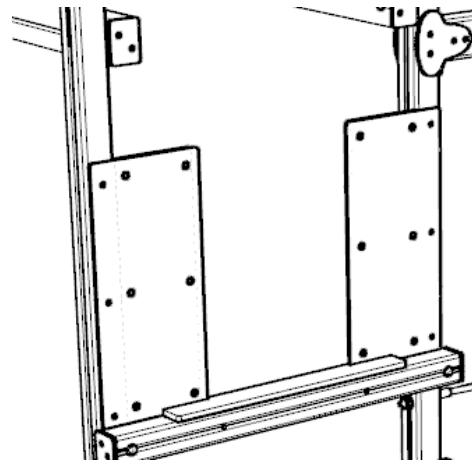
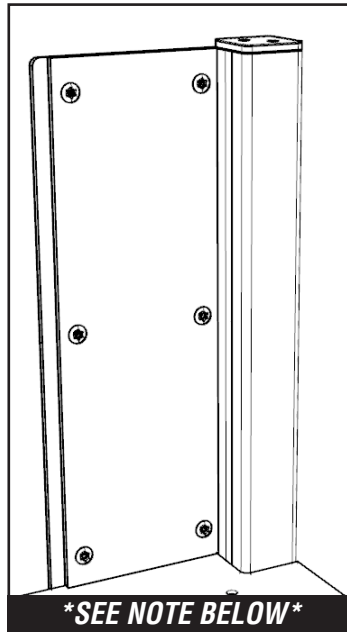
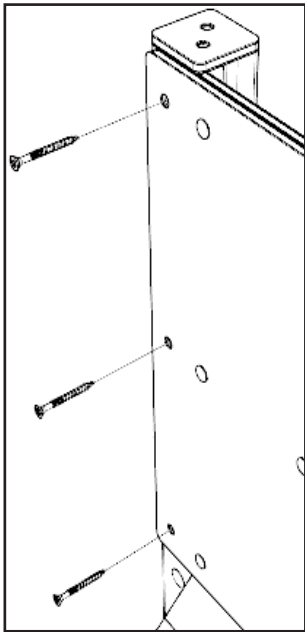
**8** ATTACH ACTIVITY CENTRE CLIMBING LOGS TO TIMBERS SHOWN  
USING 274.M12X200 / 656.M12 / 102003-01



# 9

## ATTACH BARRIERS

USING - 97.M8X80CSK X 6



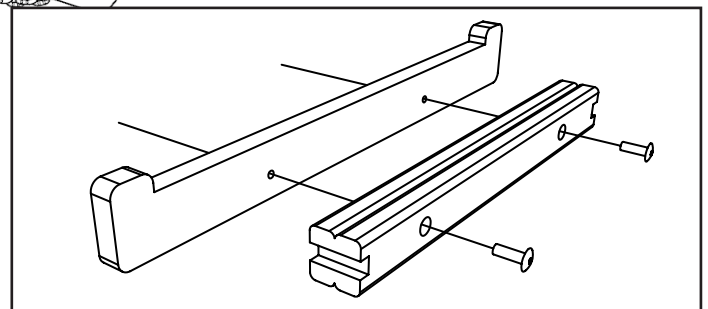
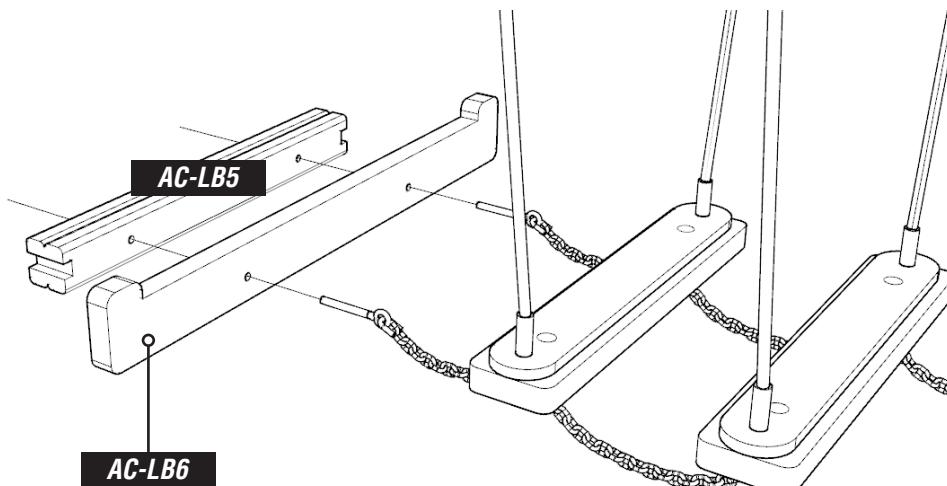
### NOTES:

**\*BARRIER REINFORCEMENT PANEL (ON REVERSE) SHOULD BUTT UP TO UPRIGHT TIMBER**

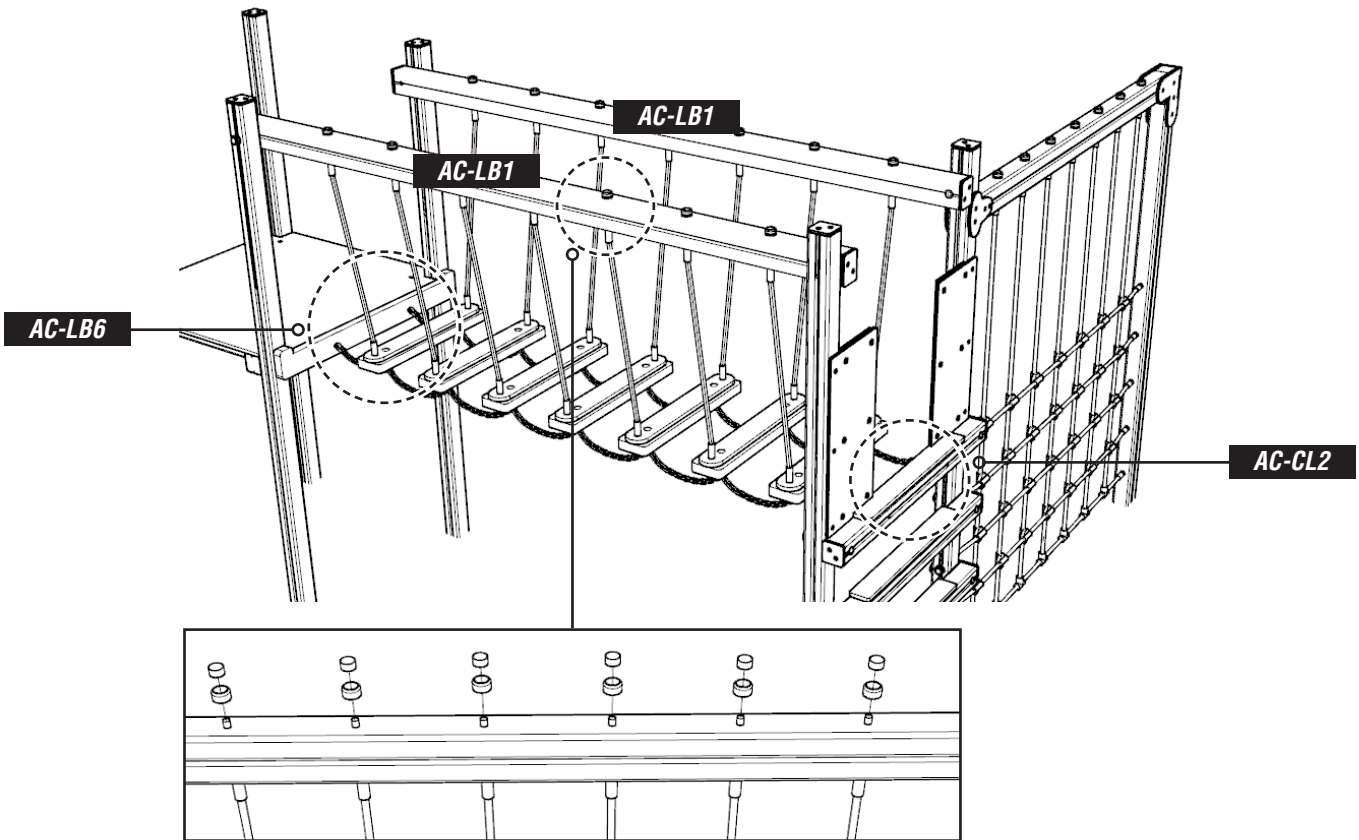
# 10

## ATTACH THE AC-LB5 & AC-LB6 TIMBERS TO THE WALKWAY ASSEMBLY

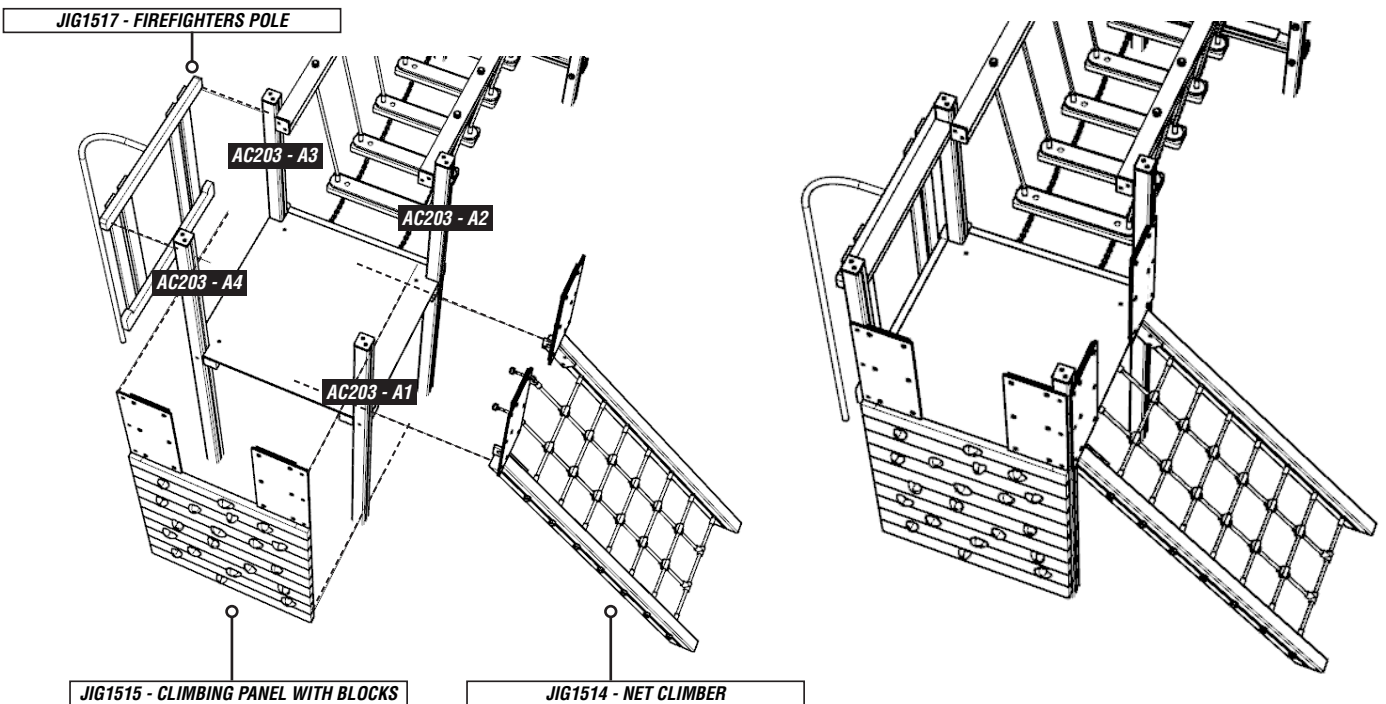
USING SOCKET NUT, ENSURE THE NUT IS POSITIONED IN AC-LB5 COUNTERSINKS



**11 ATTACH LOG BRIDGE TO PLATFORM, AC-LB1 TIMBERS & TOP CLIMBING LOG (AC-CL2)  
USING - 4 X 8X80 SCREWS (AC-LB6) & 656.M12 / 102003-01 AND SOCKET NUT**



**12 INSTALL STANDARD JIGSAW PARTS IN LOCATIONS SHOWN  
USING STANDARD JIGSAW INSTRUCTIONS**



# ADDITIONAL DIMENSIONS

