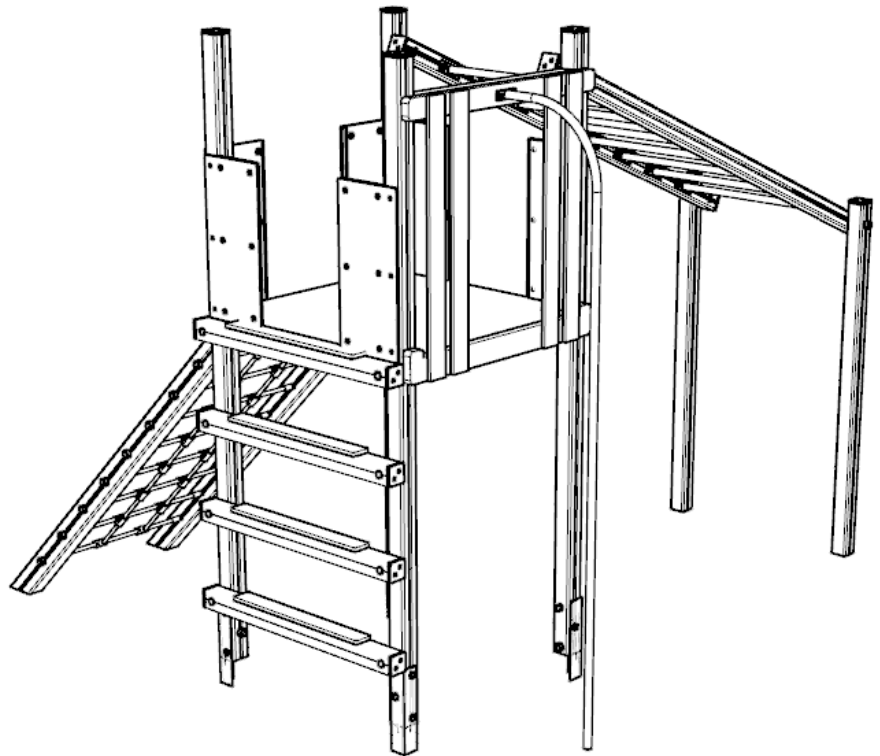
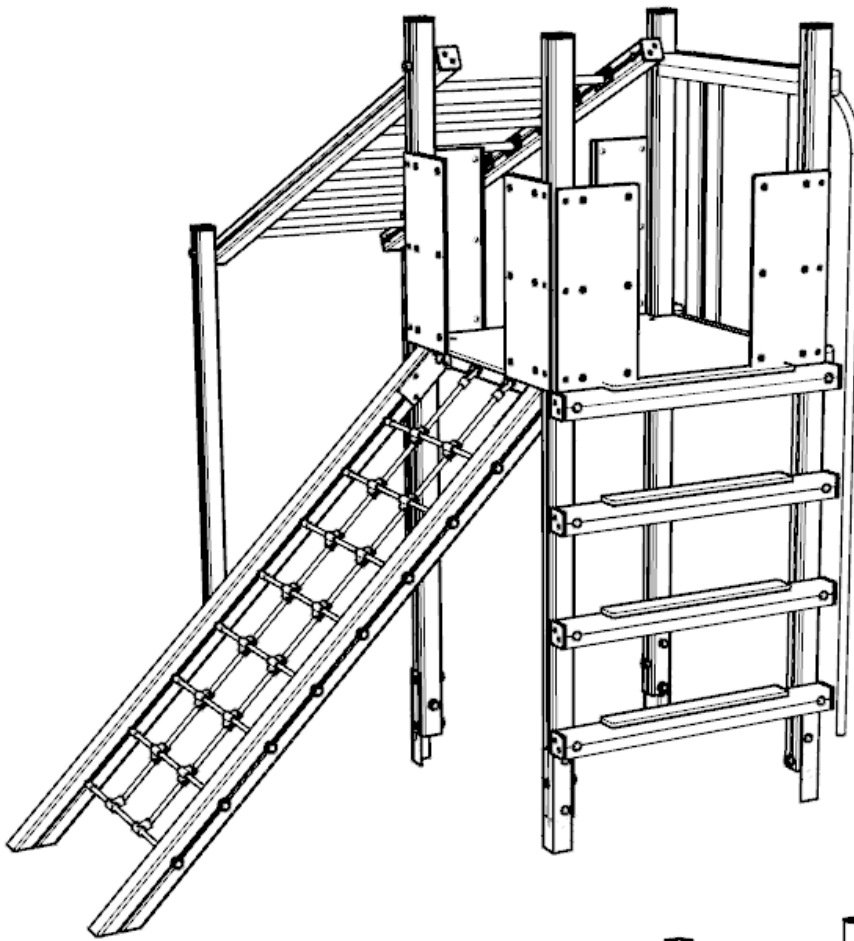


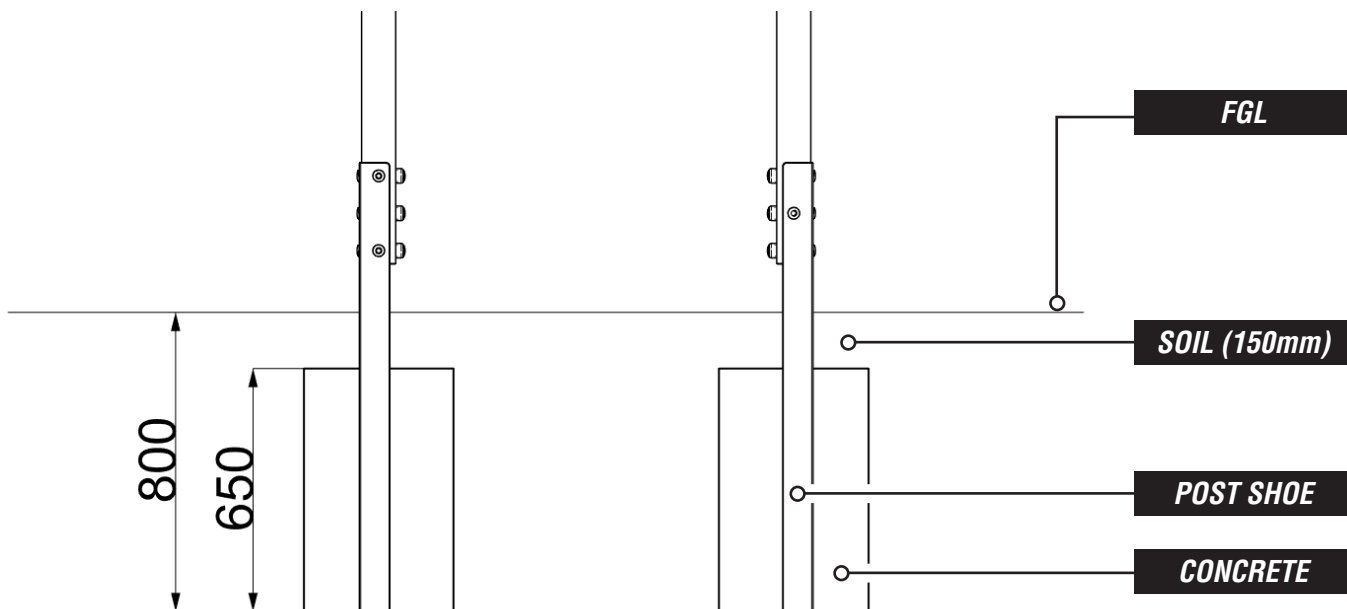
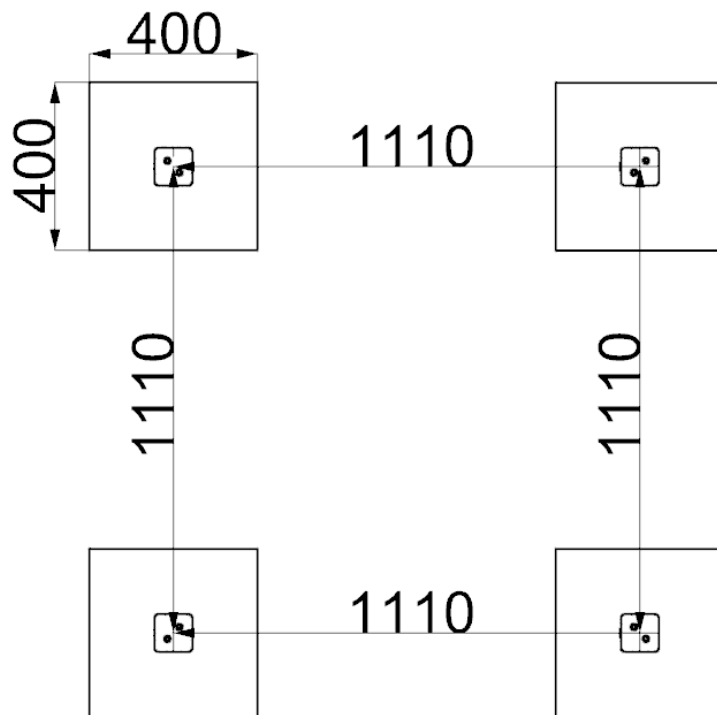
AC201 - BALA ACTIVITY CENTRE

Installation Instructions

**creative
play**

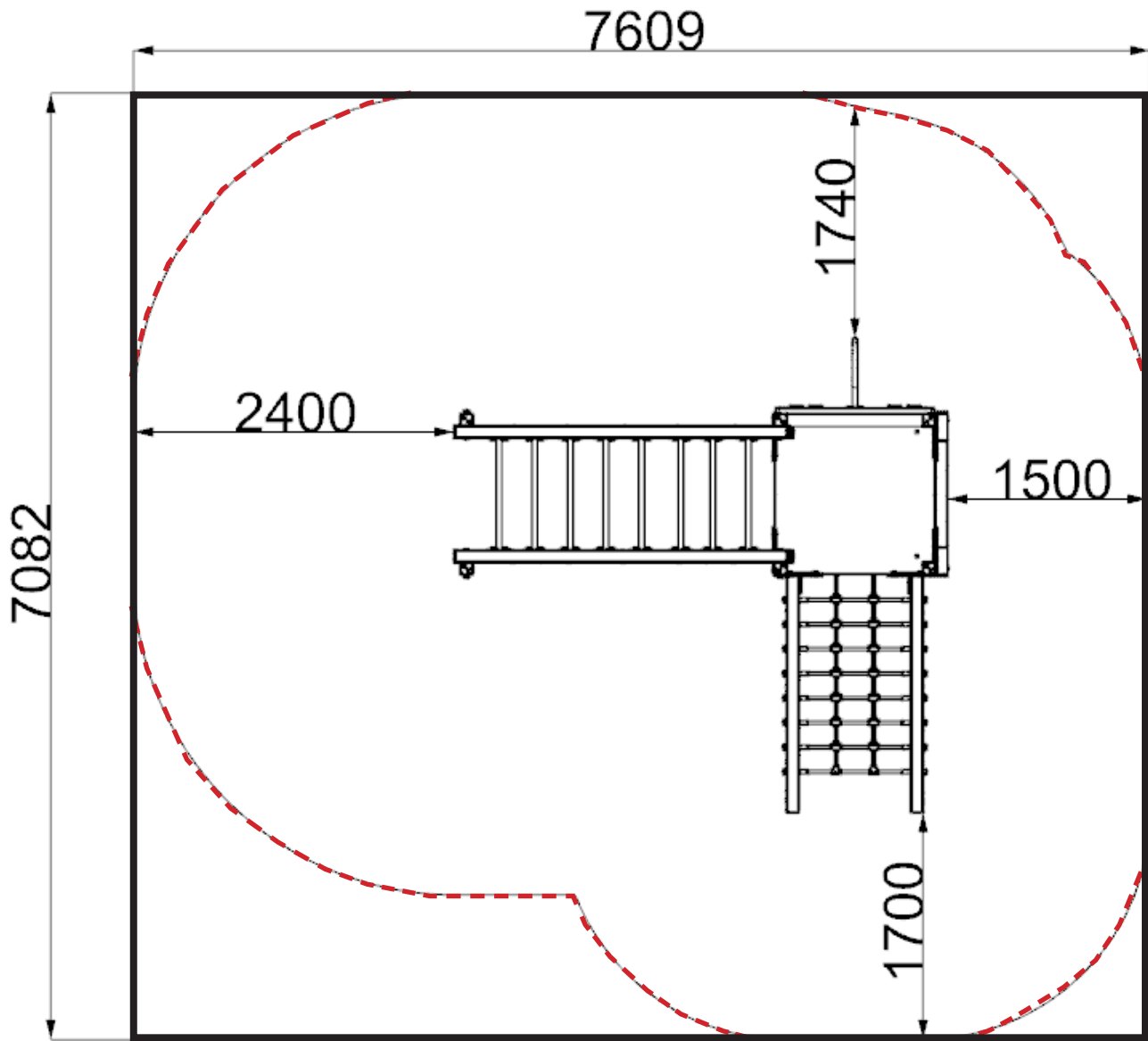


FOUNDATIONS

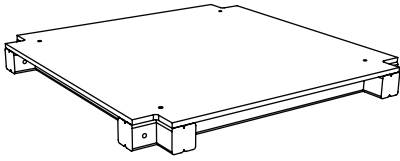


SURFACING DETAILS

- - - = MINIMUM SPACE
- = OVERALL AREA

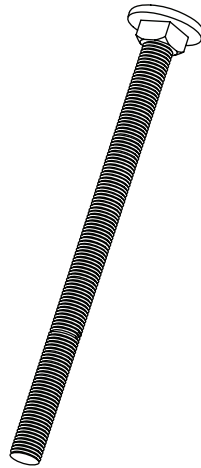


PARTS REQUIRED



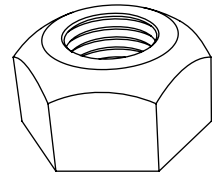
x1

JIGSAW FLOOR ASSEMBLY



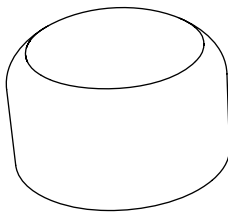
x2

274.M12X180



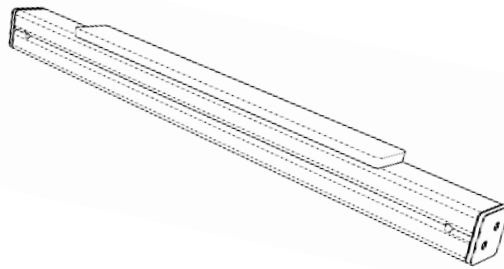
x10

656.M12



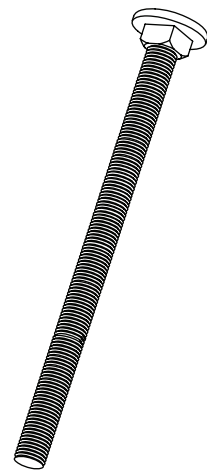
x10

102003-01



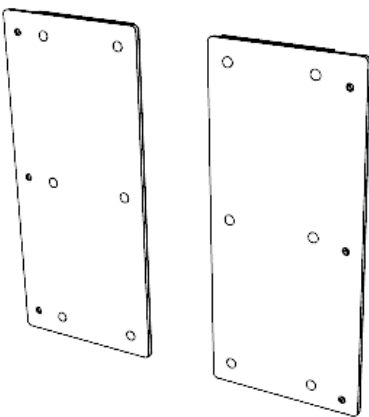
x4 (1 log has bespoke hex slot)

ACTIVITY CENTRE CLIMBING LOGS



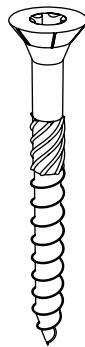
x6

274.M12X200



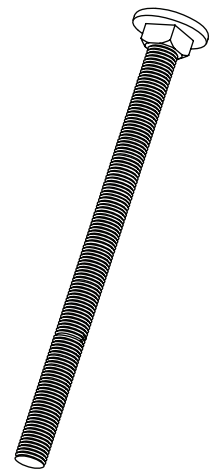
x1 (SET)

GUARD RAIL BARRIERS - NSB



x6

97.M8X80CSK



x2

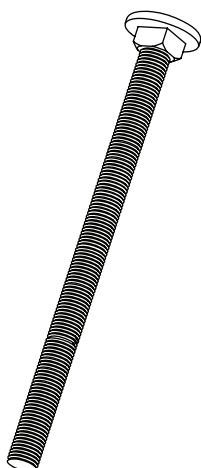
274.M12X270

PARTS REQUIRED - POST SHOES



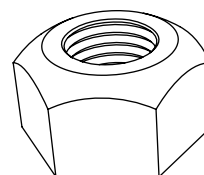
x4

90X90 POST SHOE



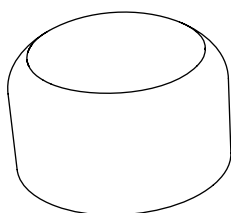
x12

274.M12X120 CUP SQUARE



x12

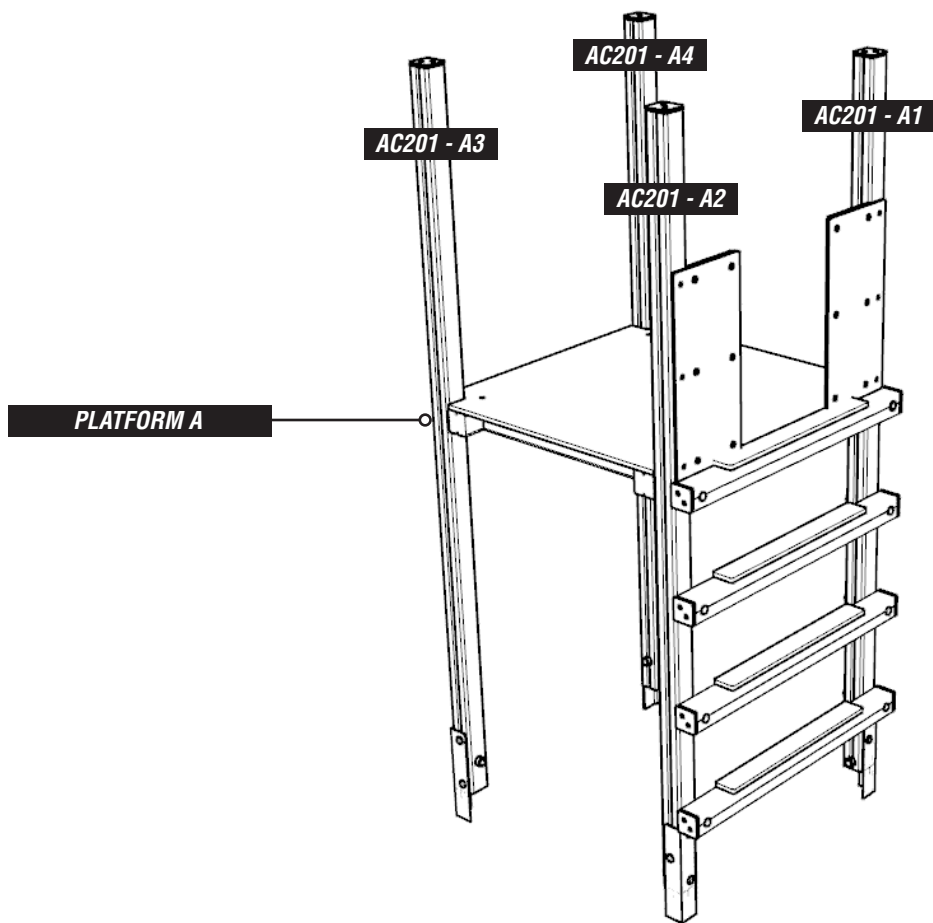
656.M12 - NYLOCS



x12

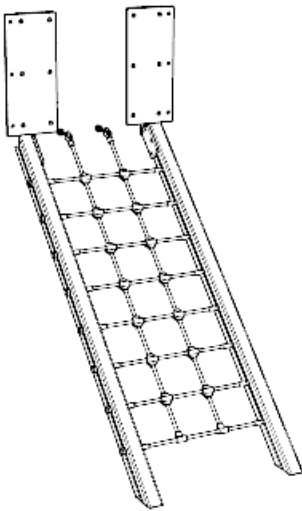
102003-01

PARTS REQUIRED - PLATFORM TIMBERS



<i>CODE</i>	<i>SIZE</i>	<i>QTY</i>	<i>ADDITIONAL INFORMATION</i>
<i>AC201-A1</i>	<i>2923</i>	<i>1</i>	<i>PLATFORM A</i>
<i>AC201-A2</i>	<i>2923</i>	<i>1</i>	<i>PLATFORM A</i>
<i>AC201-A3</i>	<i>2923</i>	<i>1</i>	<i>PLATFORM A</i>
<i>AC201-A4</i>	<i>2923</i>	<i>1</i>	<i>PLATFORM A</i>

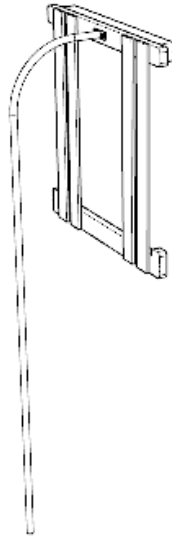
PARTS REQUIRED - STANDARD JIGSAW PARTS



x1 .inc standard fixings

JIGSAW STANDARD PART

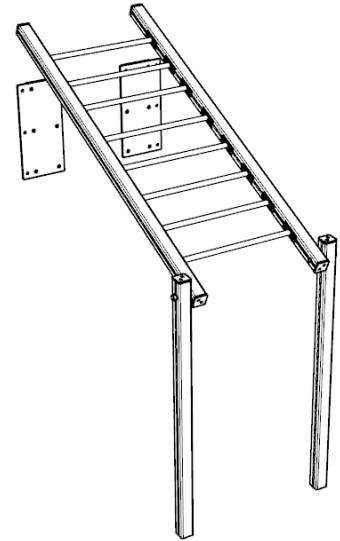
JIG1814 - NET CLIMBER



x1 .inc standard fixings

JIGSAW STANDARD PART

JIG1817 - FIREFIGHTERS POLE



x1 .inc standard fixings

JIGSAW STANDARD PART

JIG1819 - OVERHEAD LADDER

INSTALLATION INSTRUCTIONS

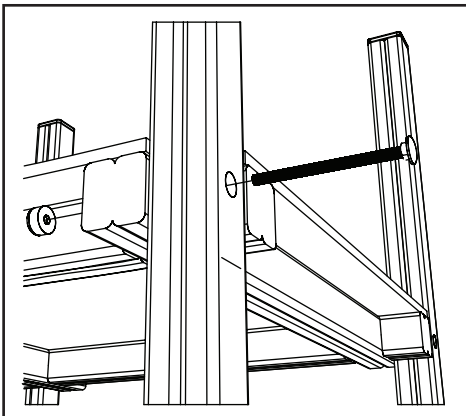
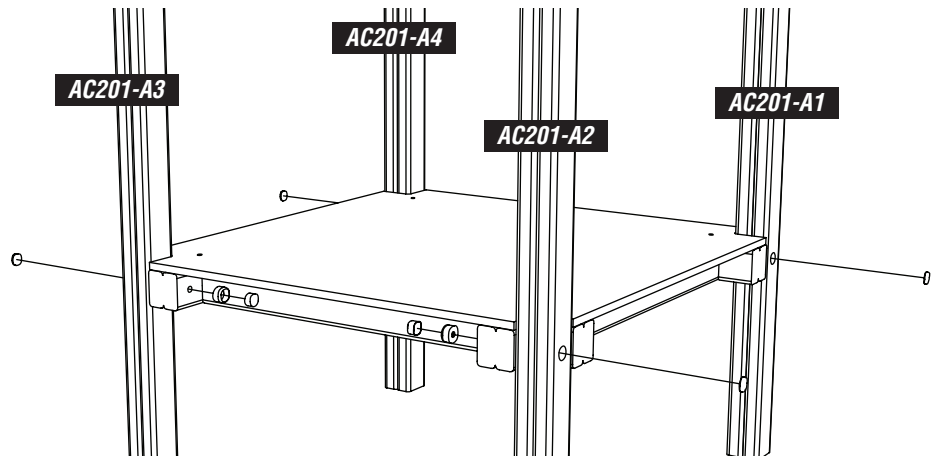
1

ATTACH FLOOR ASSEMBLY TO UPRIGHT TIMBERS

USING 274.M12X180 (A3 / A4) / 274.M12X270 (A1 / A2) / 656.M12 / 102003-01

NOTES:

NYLOC & COVERED END ARE ALWAYS POSITIONED ON THE INSIDE



2

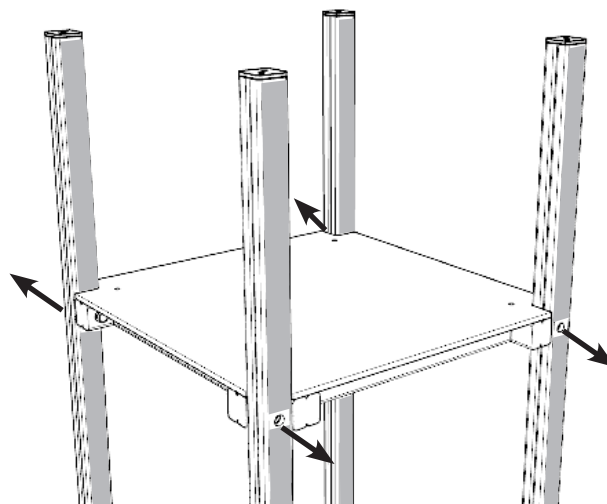
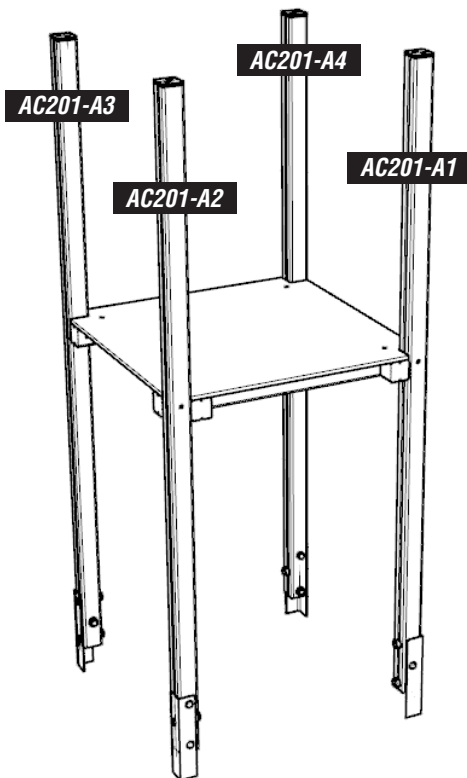
ENSURE PLATFORM IS PRE-ASSEMBLED AS SHOWN BELOW

LOOSE FIT THE A1 / A2 TIMBERS - ADDITIONAL STEPS REQUIRED (STEP 5)

NOTES:

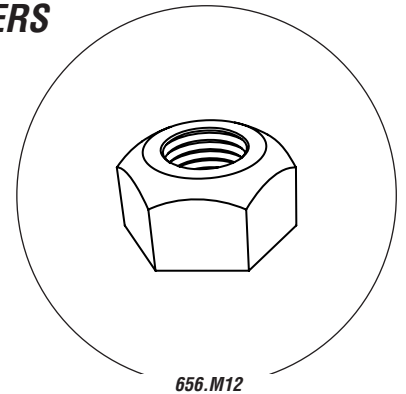
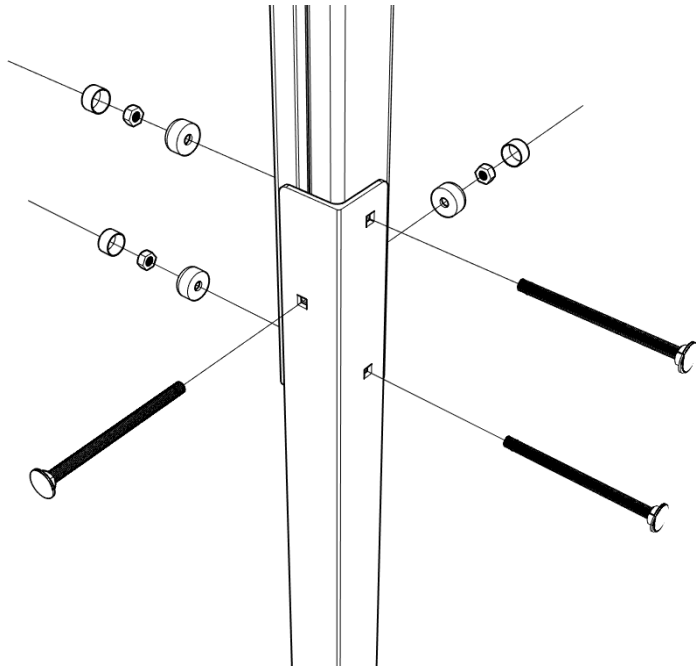
SEE NEXT STEP FOR ATTACHING THE POSTS SHOES

ENSURE ALL PLANE FACES POINT IN SAME DIRECTION (GREY) & COUNTERSINKS ON OUTSIDE OF PLATFORM (ARROWS)



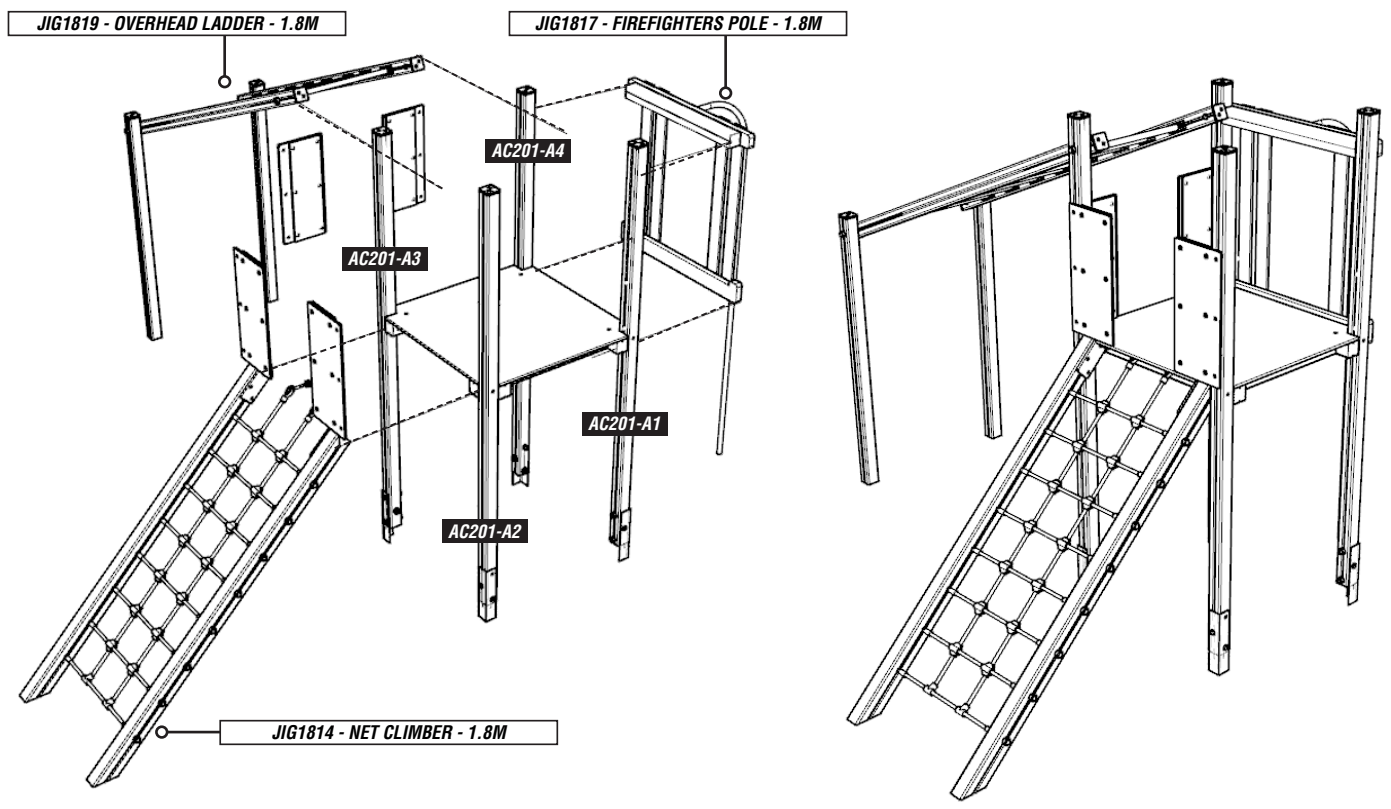
INSTALLATION INSTRUCTIONS

3 ATTACH POST SHOES TO THE AC201A1 / A2 / A3 / A4 TIMBERS USING 274.M12X120 / 656.M12 / 102003-01



NOTES:
NYLOC & COVERED END ARE ALWAYS POSITIONED ON THE INSIDE

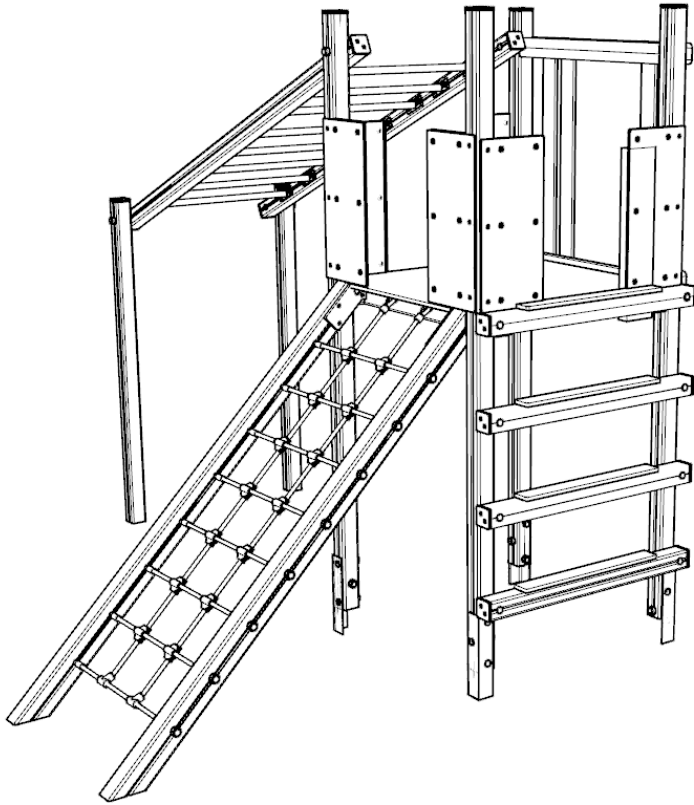
4 INSTALL STANDARD JIGSAW PARTS IN LOCATIONS SHOWN USING STANDARD JIGSAW INSTRUCTIONS



5

ATTACH ACTIVITY CENTRE CLIMBING LOGS TO REMAINING GAP

USING 274.M12X200 / 656.M12 / 102003-01

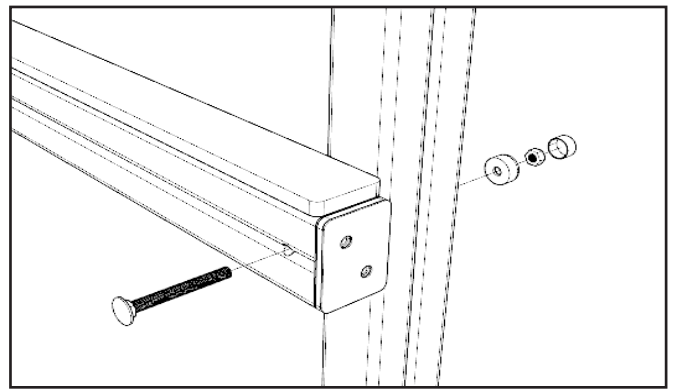


NOTES:

TOP LOG SHARES PLATFORM BOLT (ALREADY ATTACHED')

ENSURE BESPOKE HEX LOG IS ATTACHED AT THE TOP OF THE PLATFORM TO ALLOW GUARD RAILS TO BE FITTED - SEE NEXT STEP...

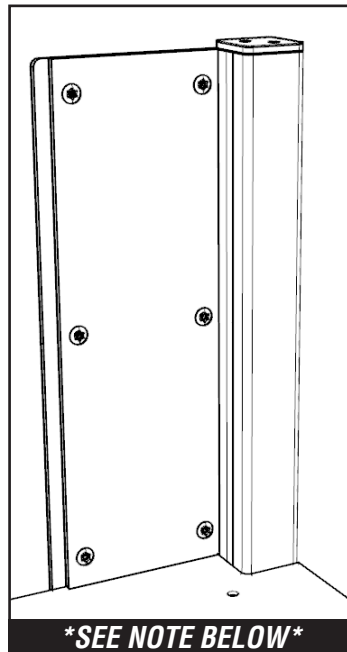
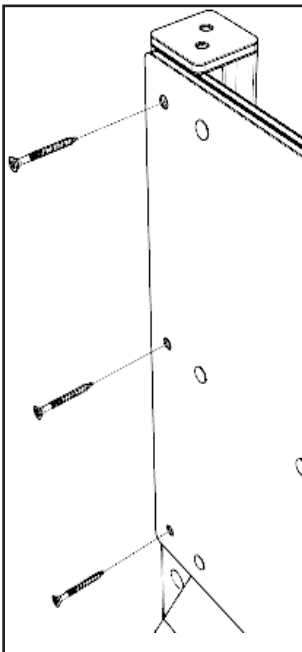
BESPOKE HEX LOG



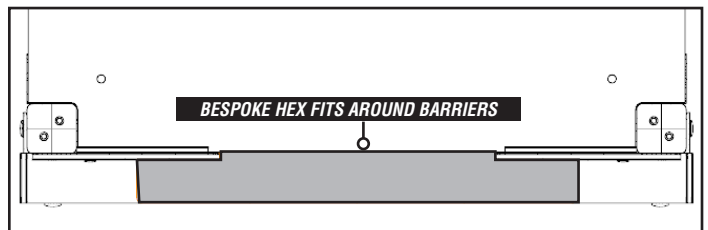
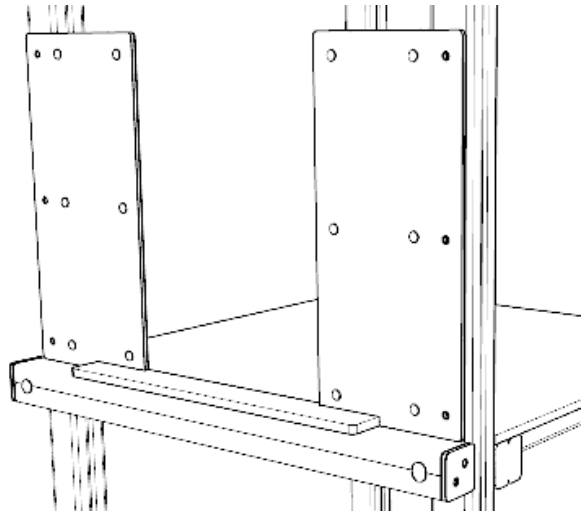
4

ATTACH BARRIERS

USING - 97.M8X80CSK X 6



SEE NOTE BELOW



NOTES:

*BARRIER REINFORCEMENT PANEL (ON REVERSE) SHOULD BUTT UP TO UPRIGHT TIMBER

ADDITIONAL DIMENSIONS

