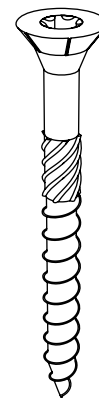
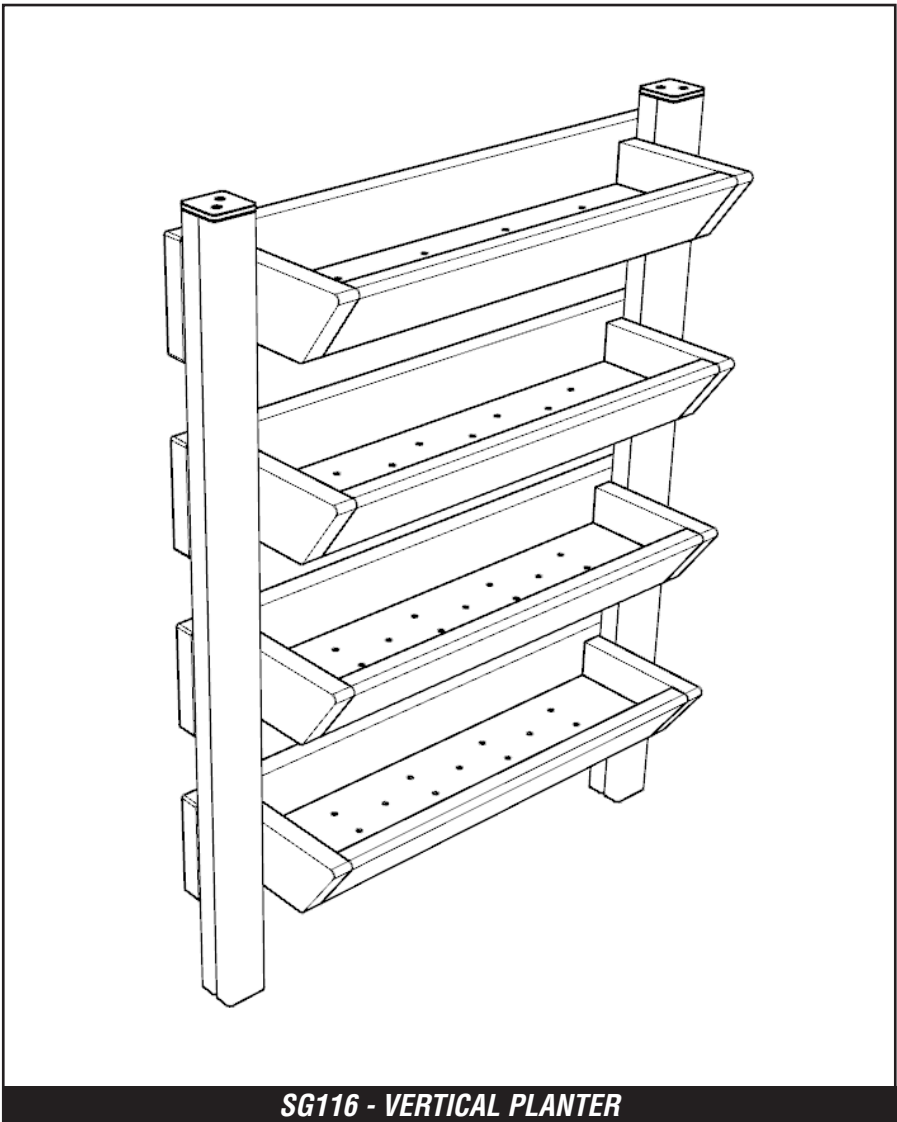


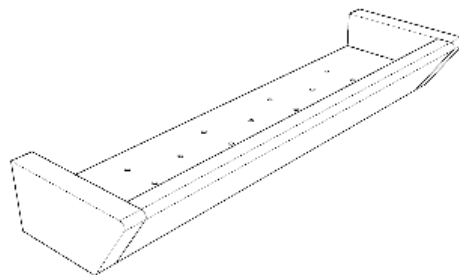
SG116 - VERTICAL PLANTER

Installation Instructions



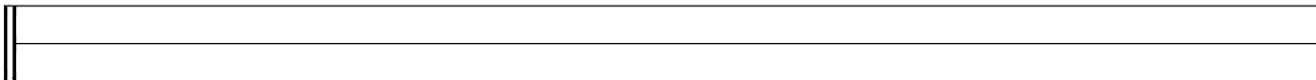
x32

97.M8X80CSK



x4

PLANTER PRE-ASSEMBLY



x2

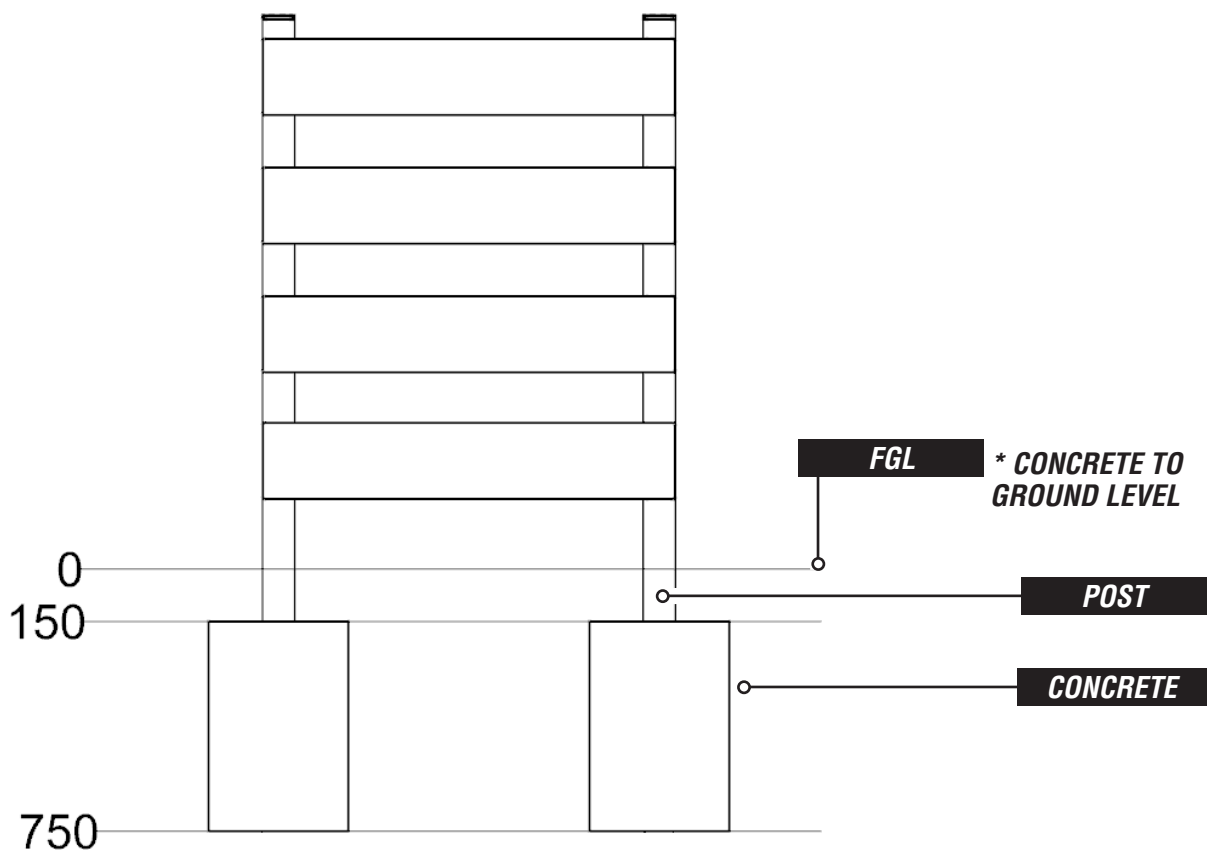
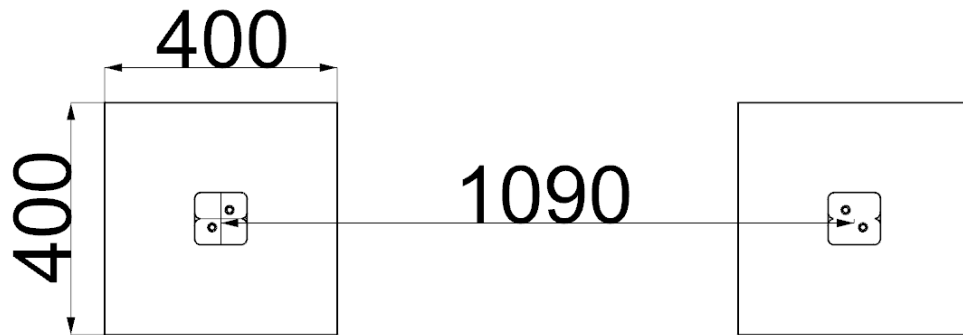
SG116a TIMBER



x4

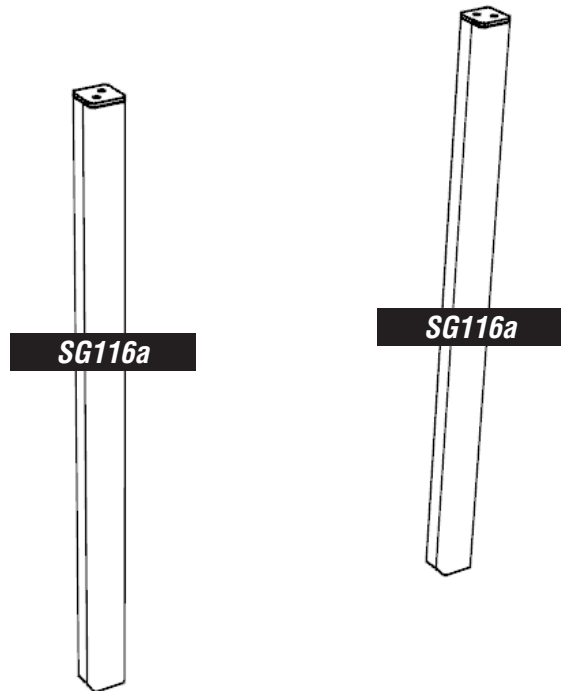
SG116b TIMBER

FOUNDATIONS

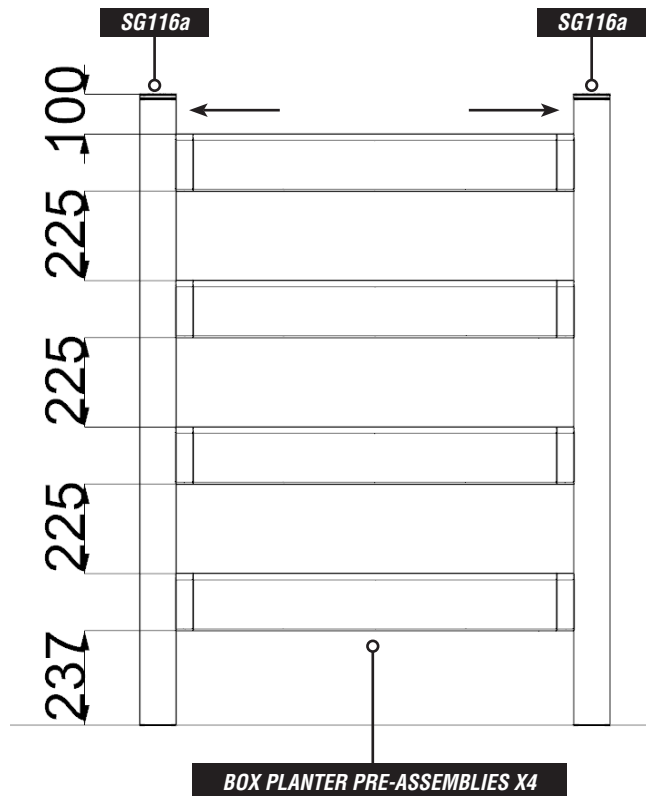
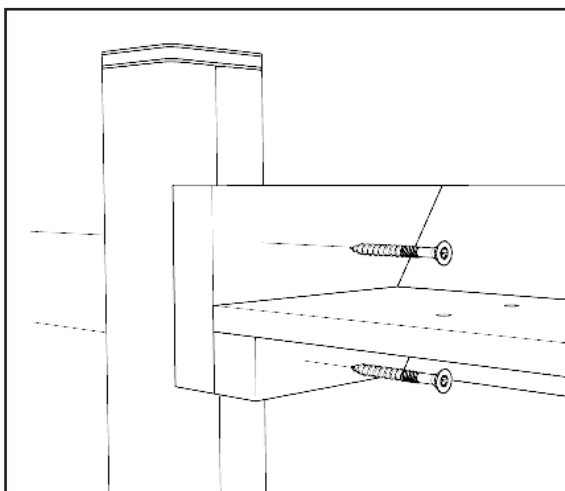


INSTALLATION INSTRUCTIONS

1 INSTALL SG116a UPRIGHT TIMBERS ACCORDING TO GROUND PLAN



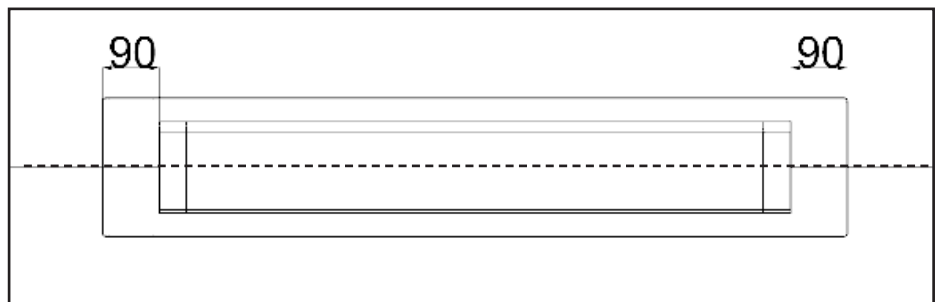
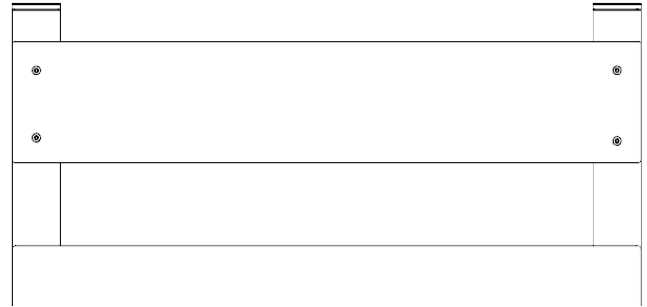
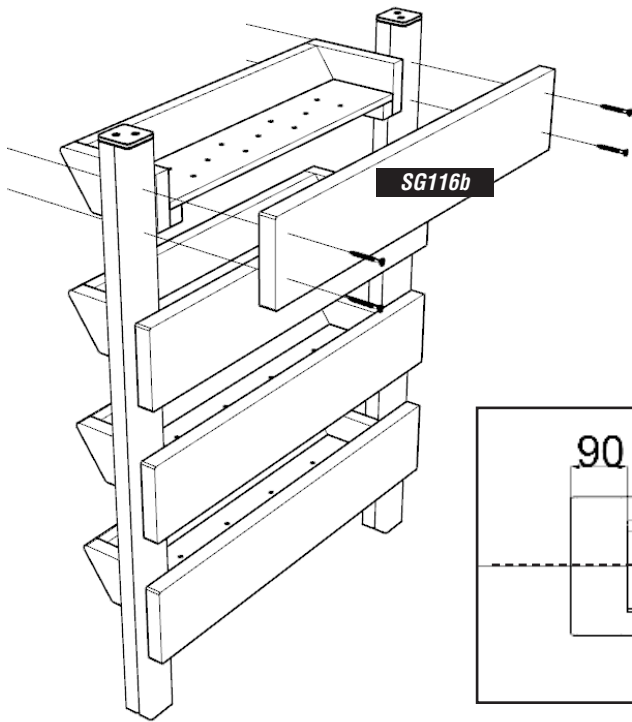
2 ATTACH PLANTER BOX PRE-ASSEMBLIES TO SG116a UPRIGHTS USING M8X80MM WOOD SCREWS, ATTACH FROM INSIDE OF UPRIGHTS (SEE ARROWS)



3

ATTACH SG116b TIMBERS TO UPRIGHTS (OPPOSITE SIDE TO PLANTER BOXES)

USING M8X80MM WOOD SCREWS, ENSURE IT IS POSITIONED CENTRAL TO PLANTER BOX PRE-ASSEMBLY (SEE DOTTED LINE)



ADDITIONAL DIMENSIONS

