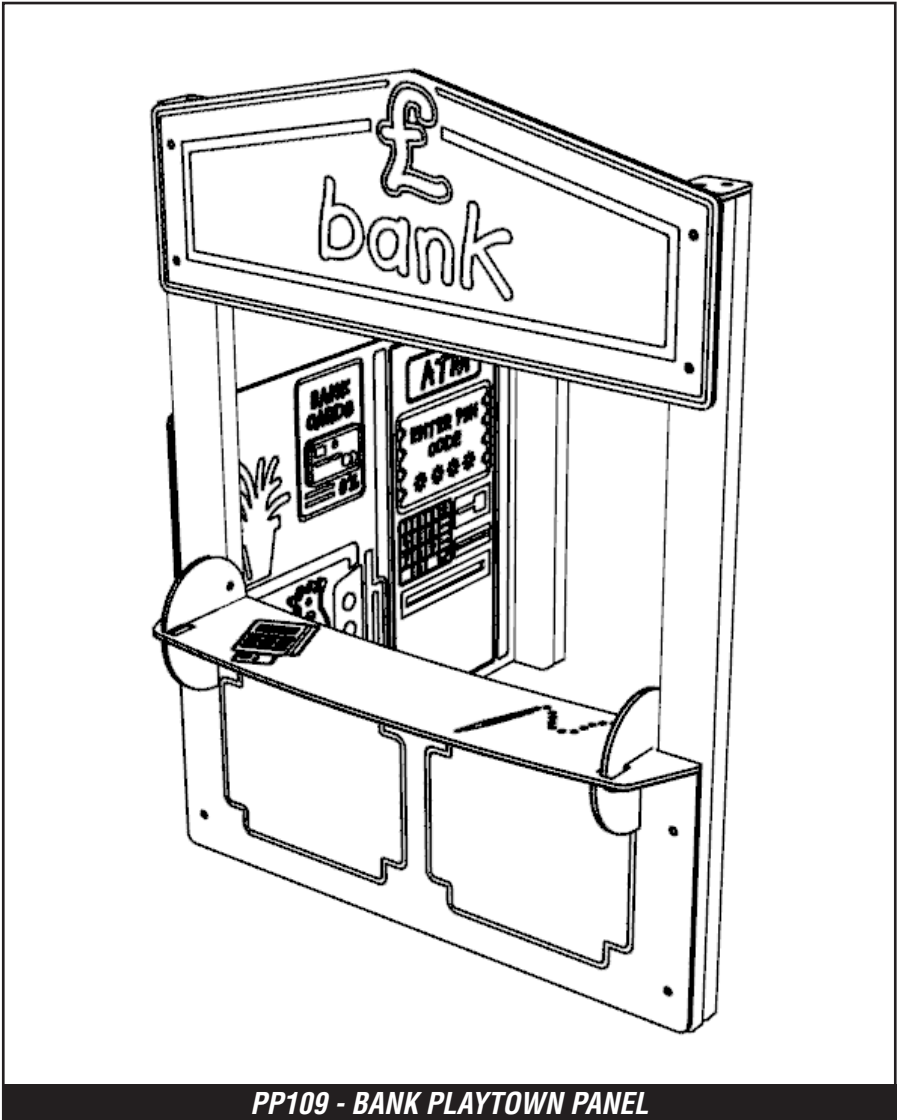
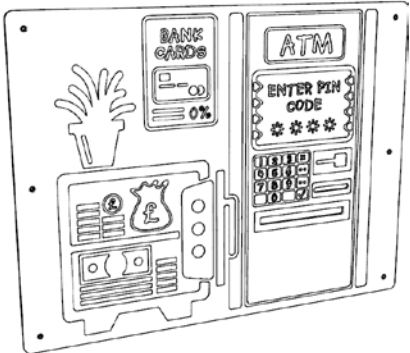


PP109 - BANK PLAYTOWN PANEL

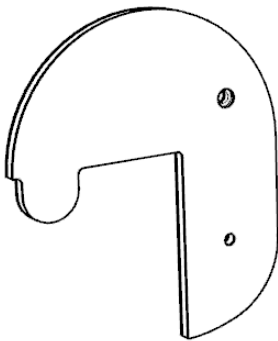
Installation Instructions



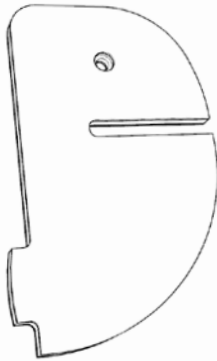
x1
UPPER PANEL



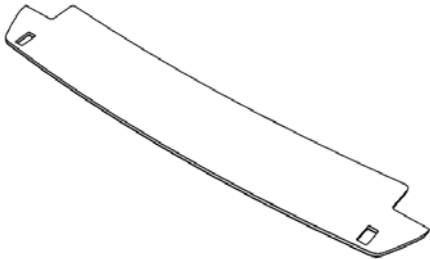
x1
SIDE PANEL



x2
LARGE BRACKETS

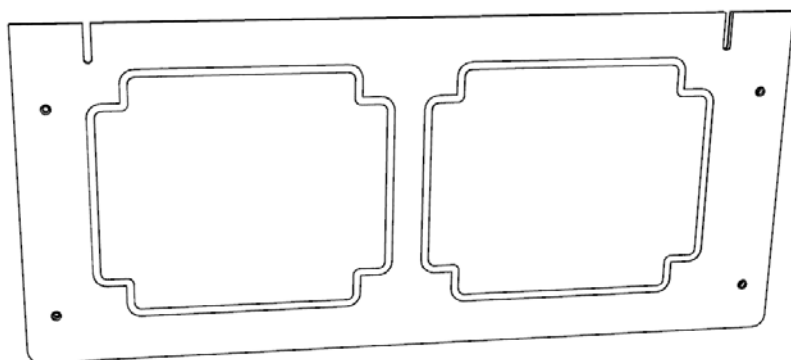


x2
SMALL BRACKETS



x1
ENGRAVED PLAYTEC SHELF

PARTS REQUIRED



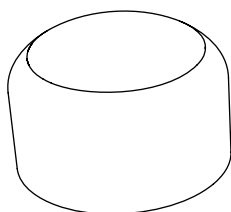
x1

LOWER PLAYTEC PANEL



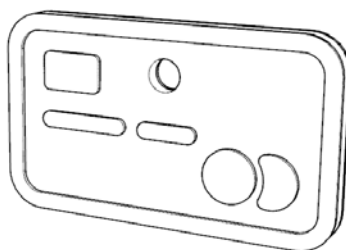
x4

656.M8



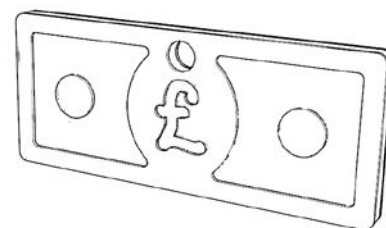
x4

102003-01



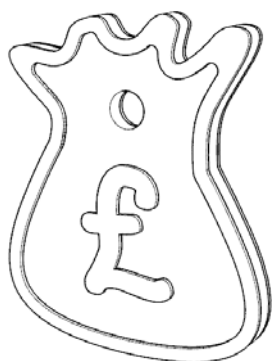
x1

LOOSE PART - BANK CARD



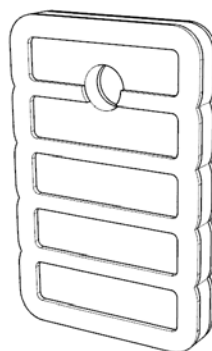
x4

LOOSE PART - BANK NOTE



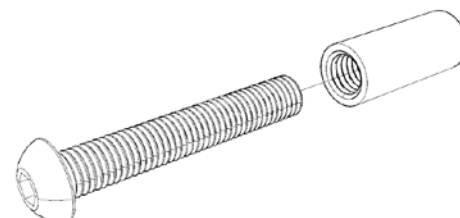
x1

LOOSE PART - MONEY BAG



x1

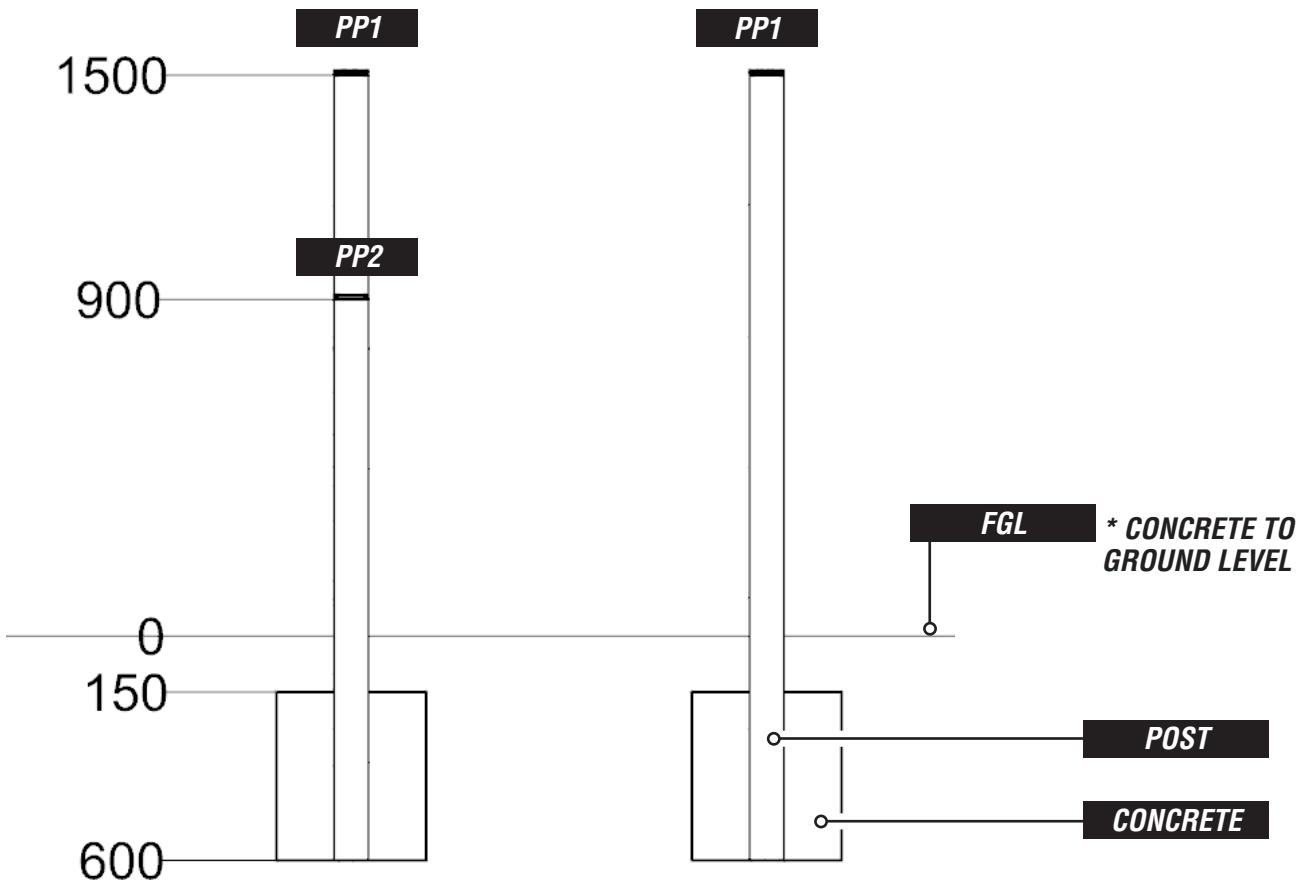
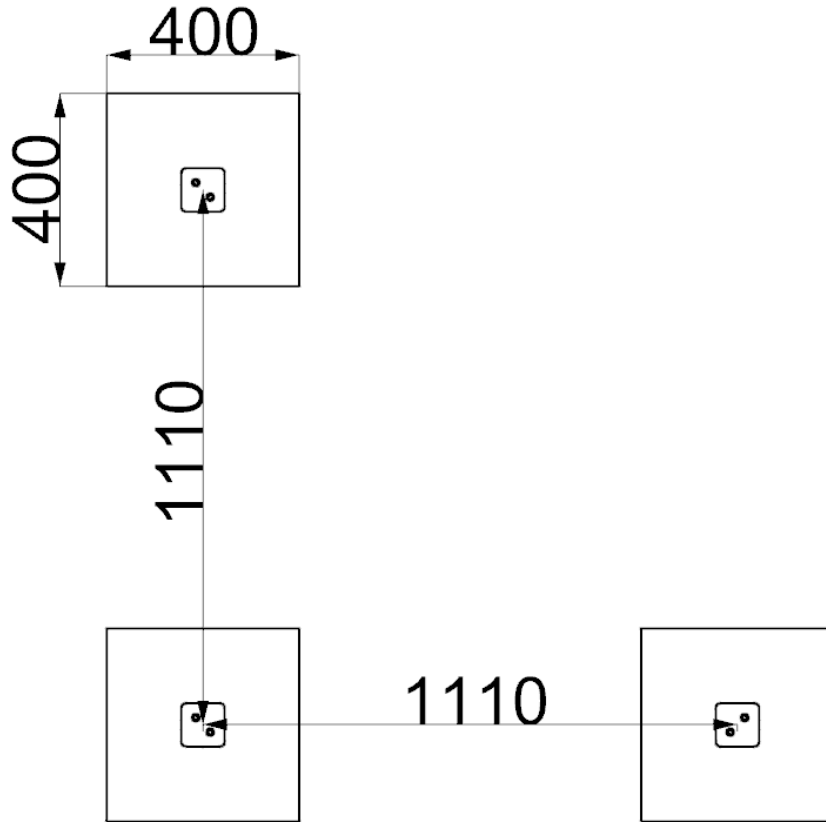
LOOSE PART - COIN STACK



x4 INC SLEEVES

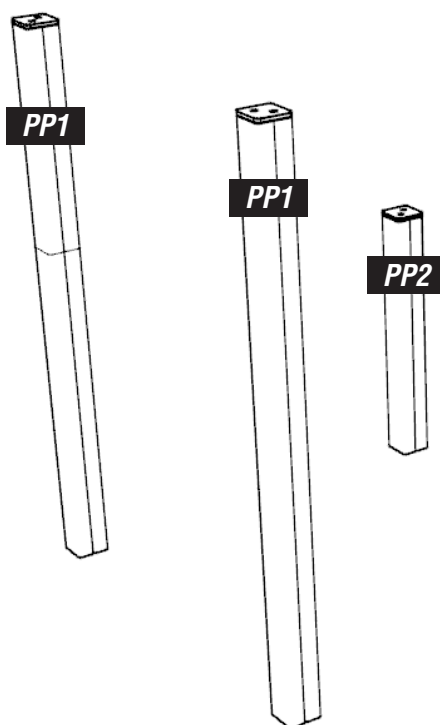
M8X60MM SOCKET BUTTON

FOUNDATIONS

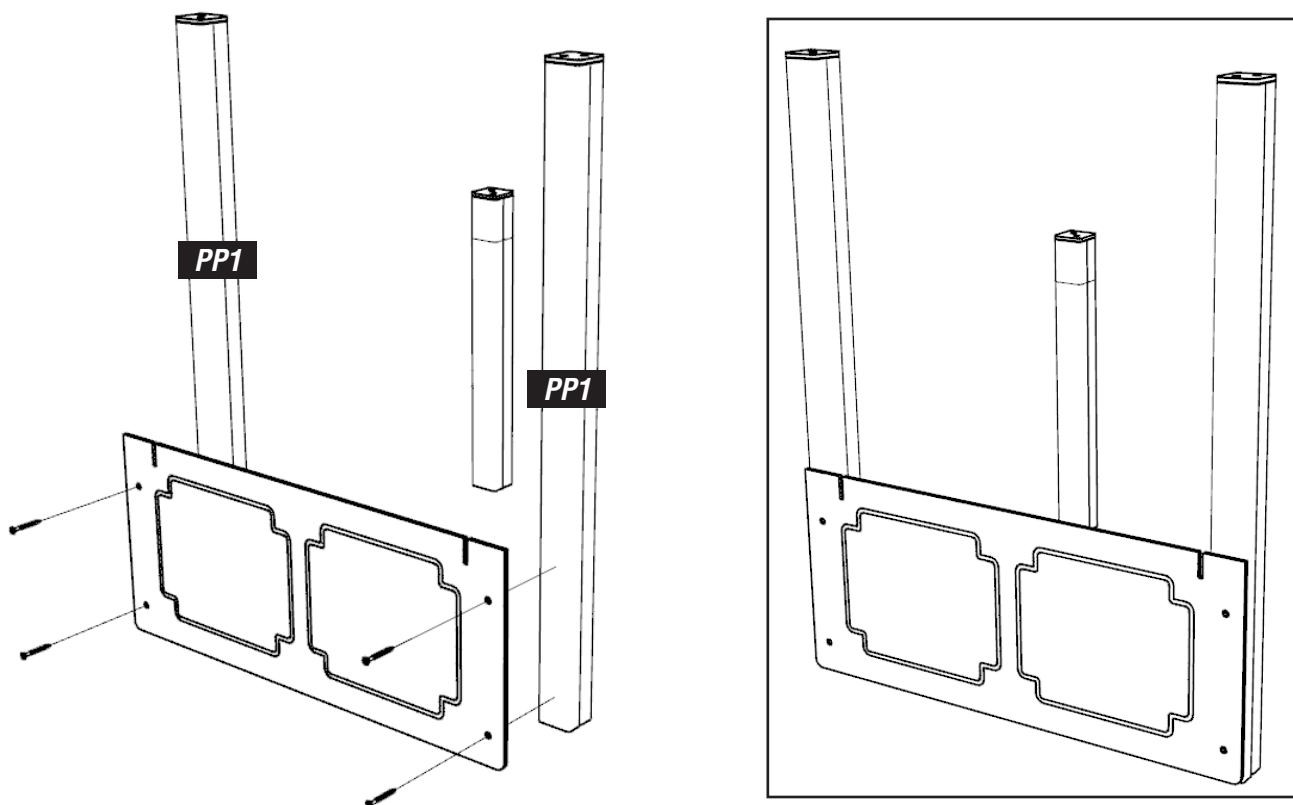


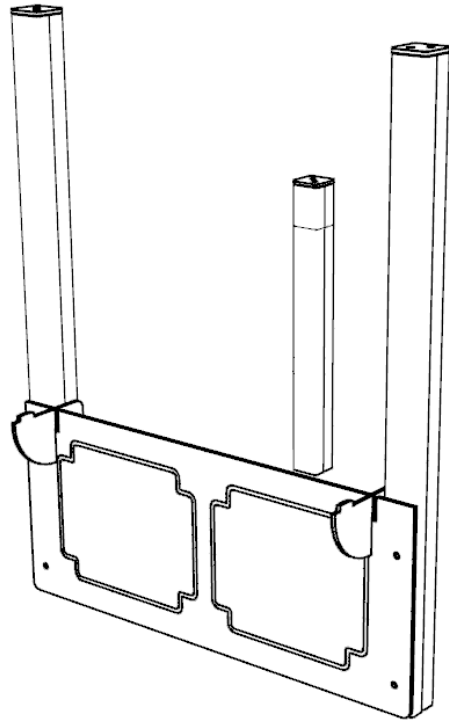
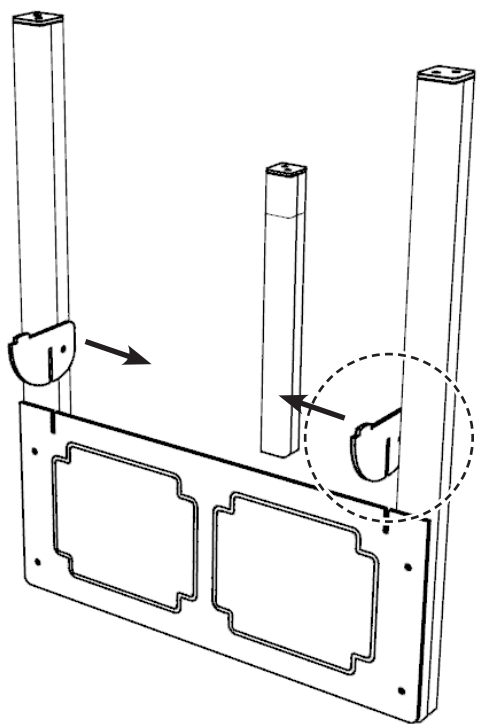
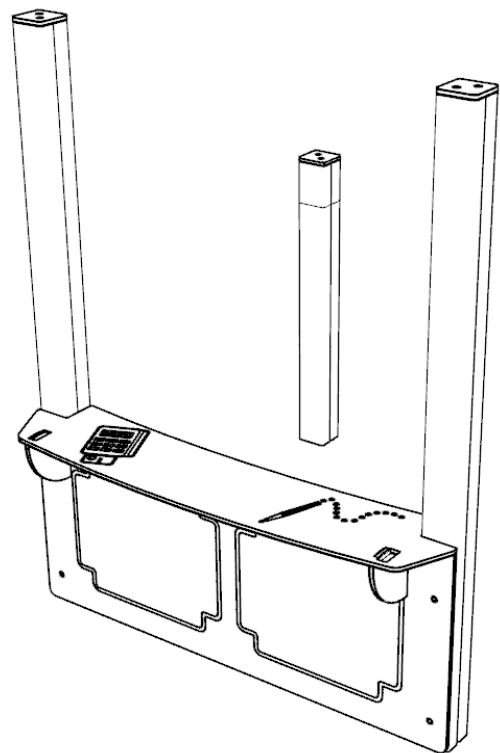
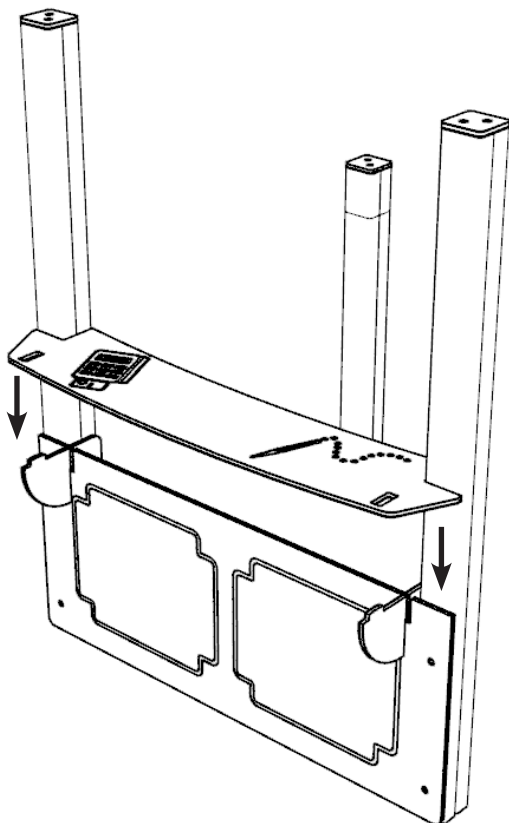
INSTALLATION INSTRUCTIONS

1 INSTALL UPRIGHT TIMBERS ACCORDING TO GROUND PLAN



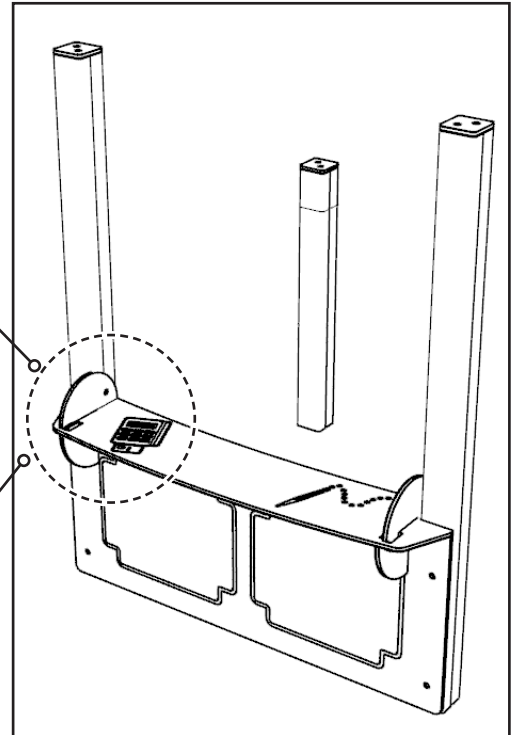
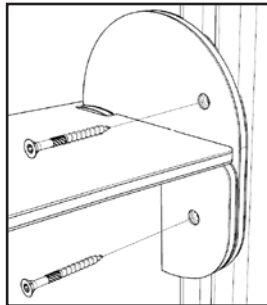
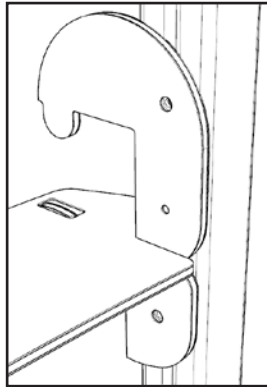
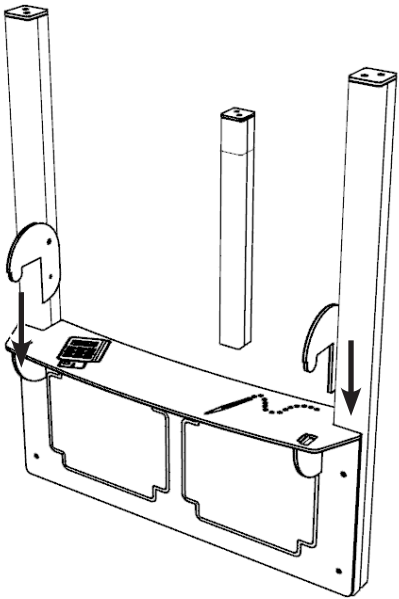
2 ATTACH LOWER PLAYTEC PANEL TO PP1 TIMBERS USING 4X M8X80MM WOOD SCREWS



3**ATTACH SMALL BRACKETS TO LOWER PANEL***ENSURE COUNTERSINK FACE INWARDS (SEE ARROWS), DO NOT ATTACH WITH SCRES UNTIL STEP 5***4****ATTACH ENGRAVED PLAYTEC SHELF TO SMALL BRACKETS***! ENSURE ENGRAVED SIDE IS FACE UPWARDS !*

5

ATTACH LARGE BRACKETS TO PP1 TIMBERS TO SECURE SHELF IN PLACE
ENSURE COUNTERSINK FACE INWARDS (SEE ARROWS)

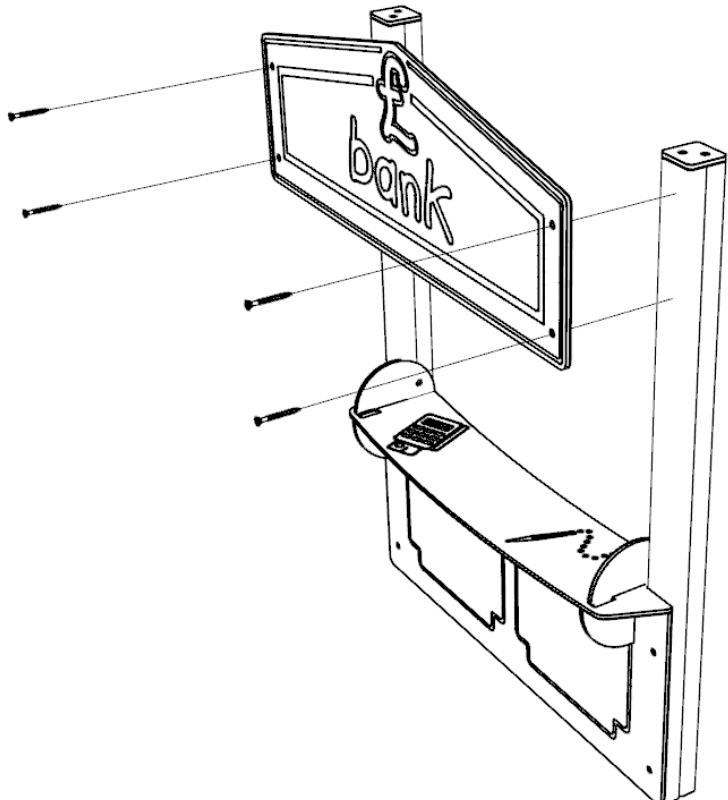
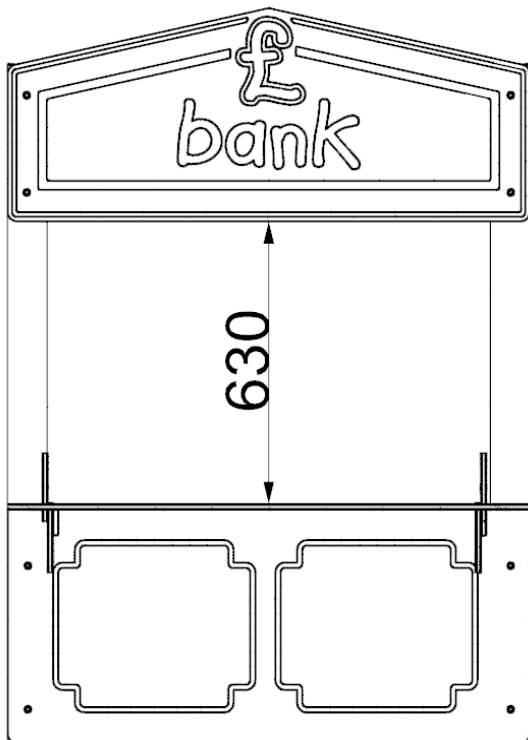
**NOTES:**

USING M8X80MM SCREWS, SECURE BRACKETS TO TIMBER UPRIGHTS - SEE RIGHT

6

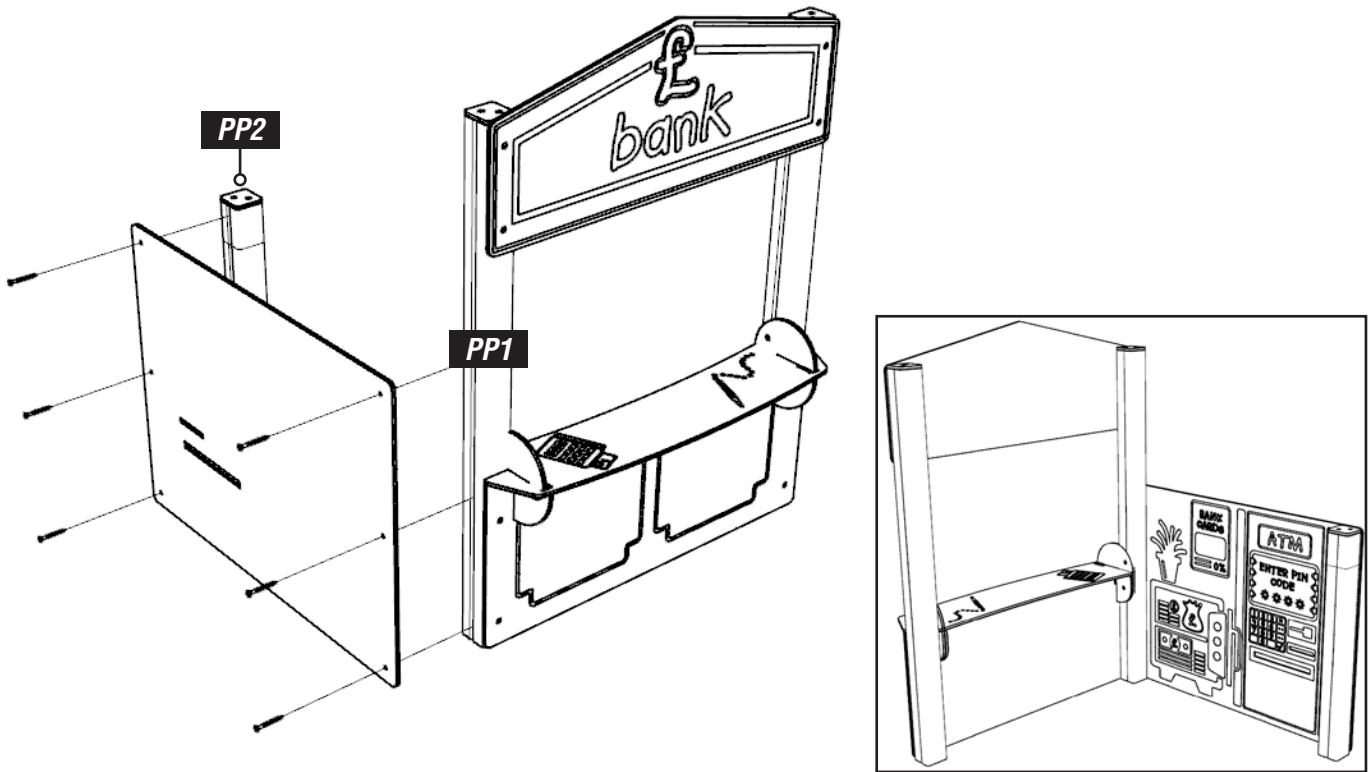
ATTACH UPPER PANEL TO TOP OF PP1 UPRIGHTS

USING M8X80MM WOOD SCREWS, ENSURE IT IS POSITIONED AT DIMENSIONS SHOWN

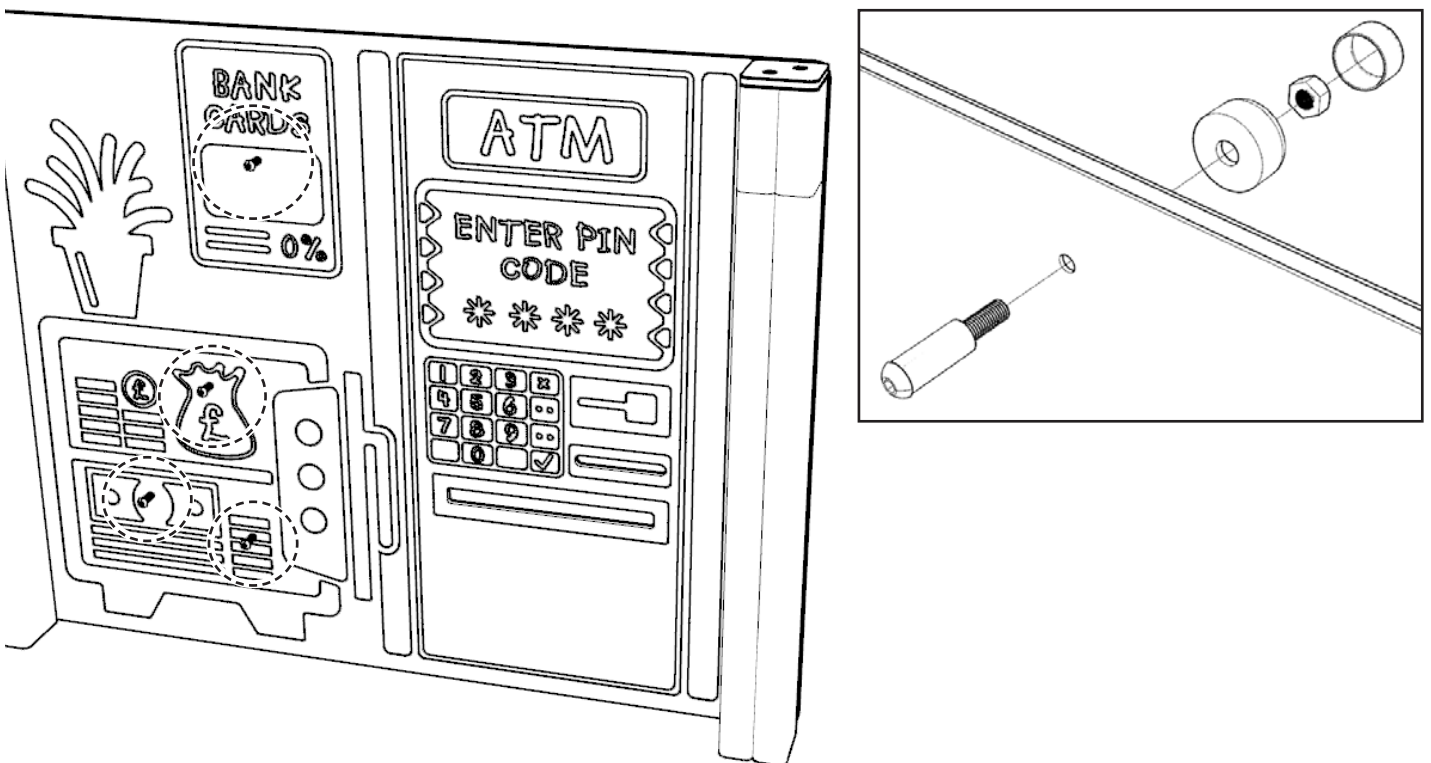


7

**ATTACH SIDE PANEL TO PP1 AND PP2 TIMBERS SHOWN
USING M8X80MM WOOD SCREWS**

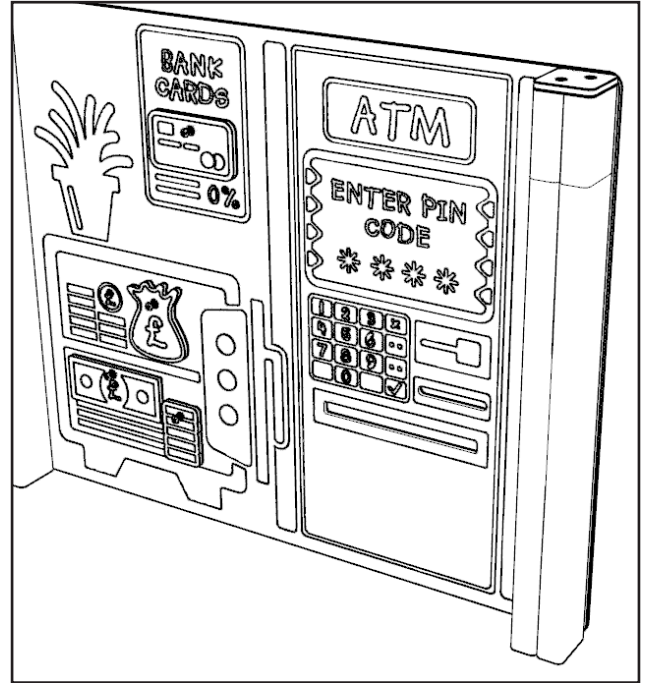
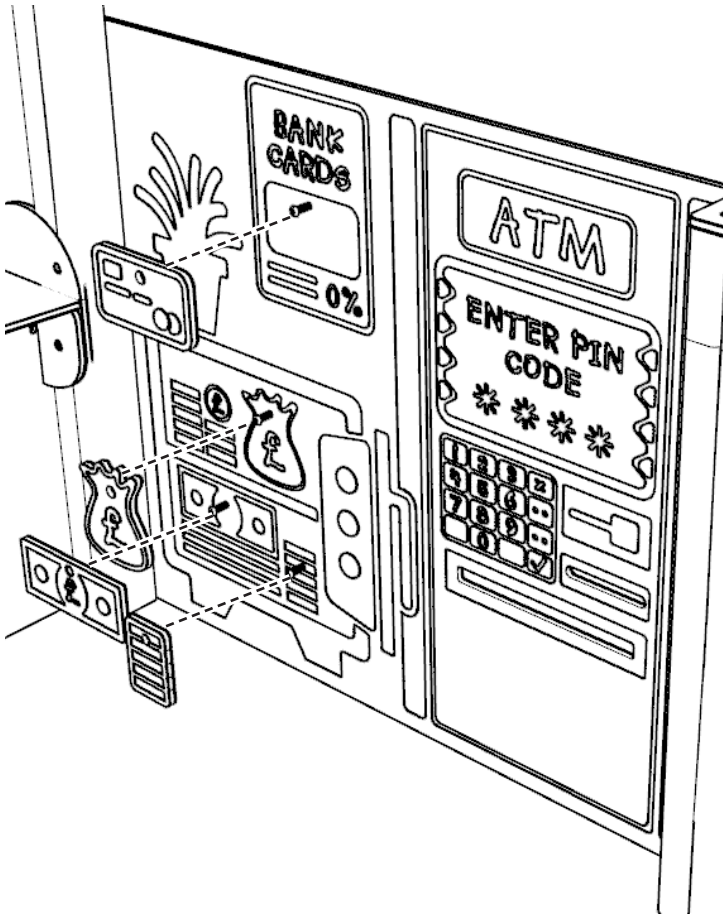
**8**

**ATTACH LOOSE PART "PEGS" TO SIDE PANEL IN LOCATIONS SHOWN
USING M8X60MM SOCKET BUTTON BOLT WITH SLEEVE / 656.M8 / 102003-01**



9

HOOK LOOSE PARTS TO PEGS IN CORRECT LOCATIONS



ADDITIONAL DIMENSIONS

