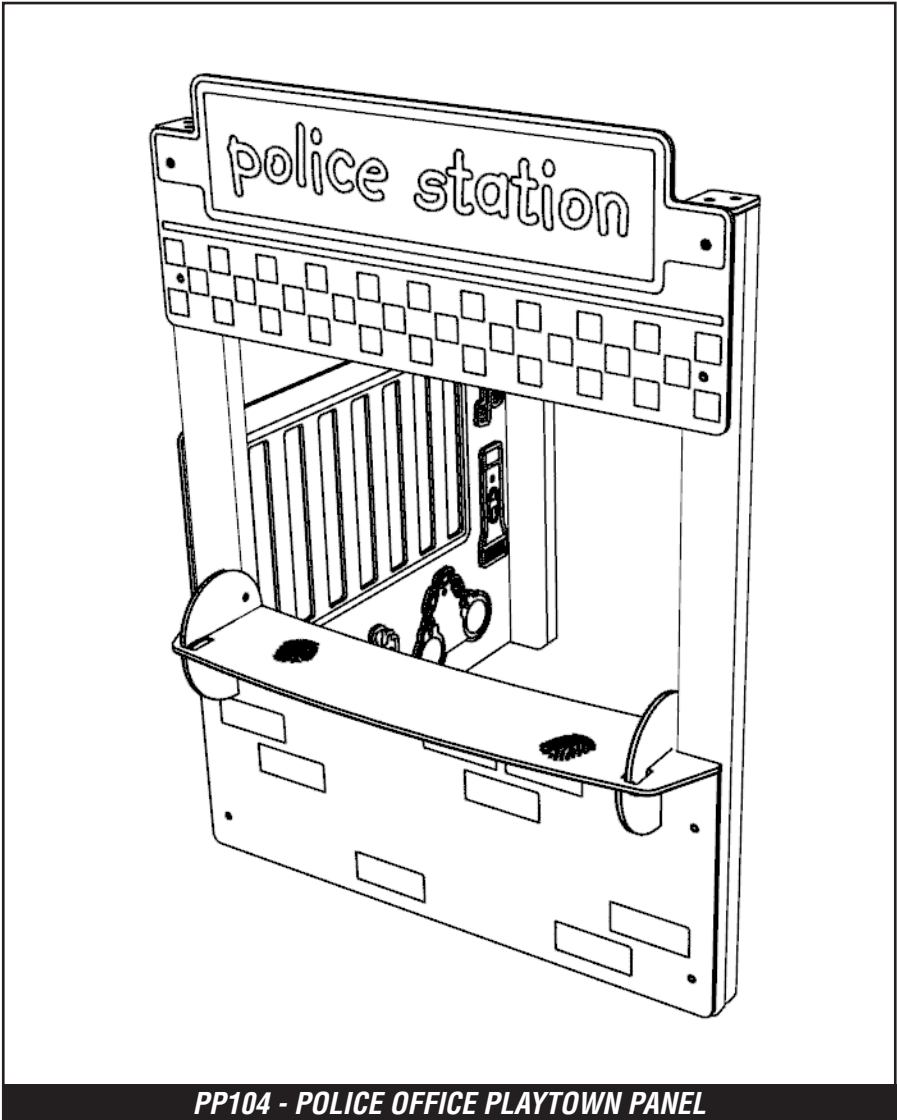
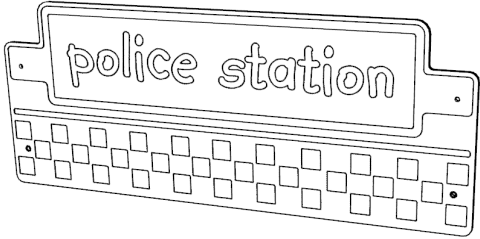


# PP104 - POLICE PLAYTOWN PANEL

## Installation Instructions

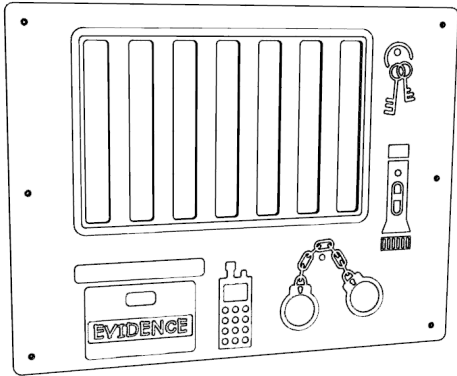


PP104 - POLICE OFFICE PLAYTOWN PANEL



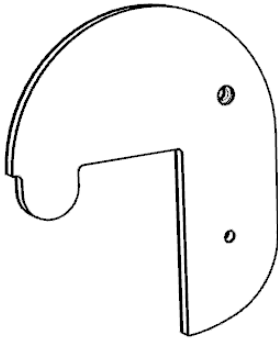
x1

UPPER PANEL



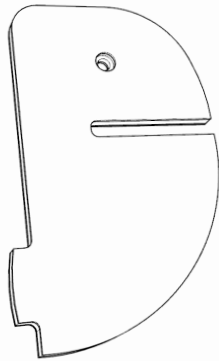
x1

SIDE PANEL



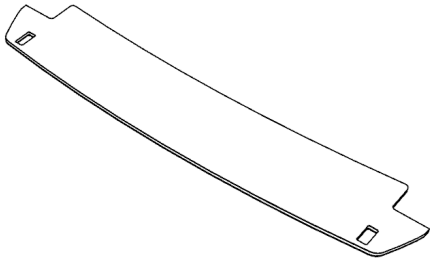
x2

LARGE BRACKETS



x2

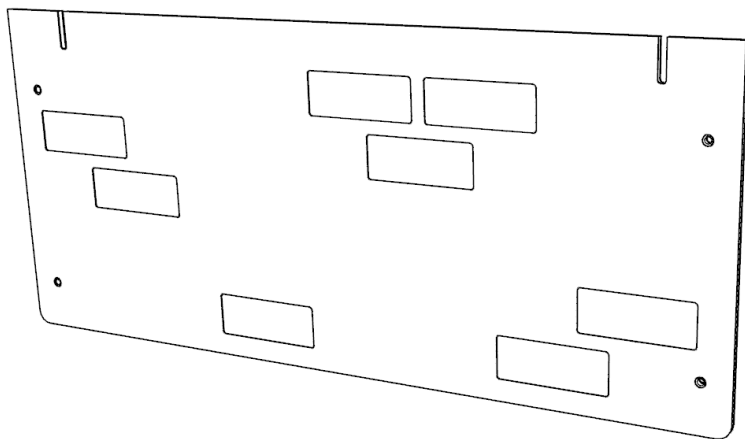
SMALL BRACKETS



x1

ENGRAVED PLAYTEC SHELF

# PARTS REQUIRED



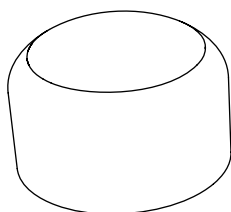
x1

**LOWER PLAYTEC PANEL**



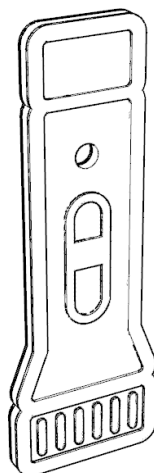
x4

**M10 NUT**



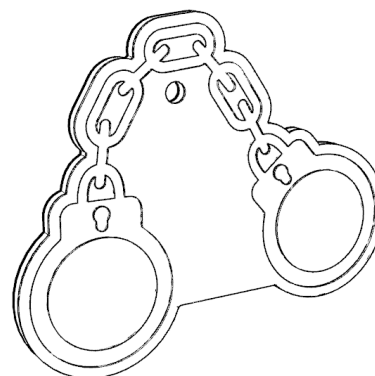
x4

**102003-01**



x1

**LOOSE PART - TORCH**



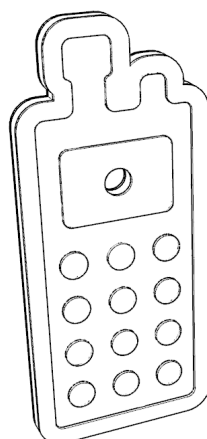
x1

**LOOSE PART - HAND CUFFS**



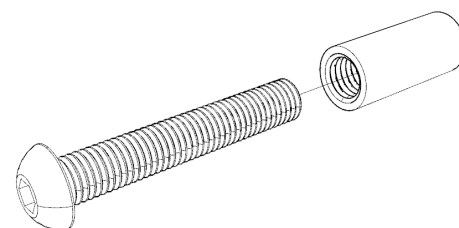
x1

**LOOSE PART - KEYS**



x1

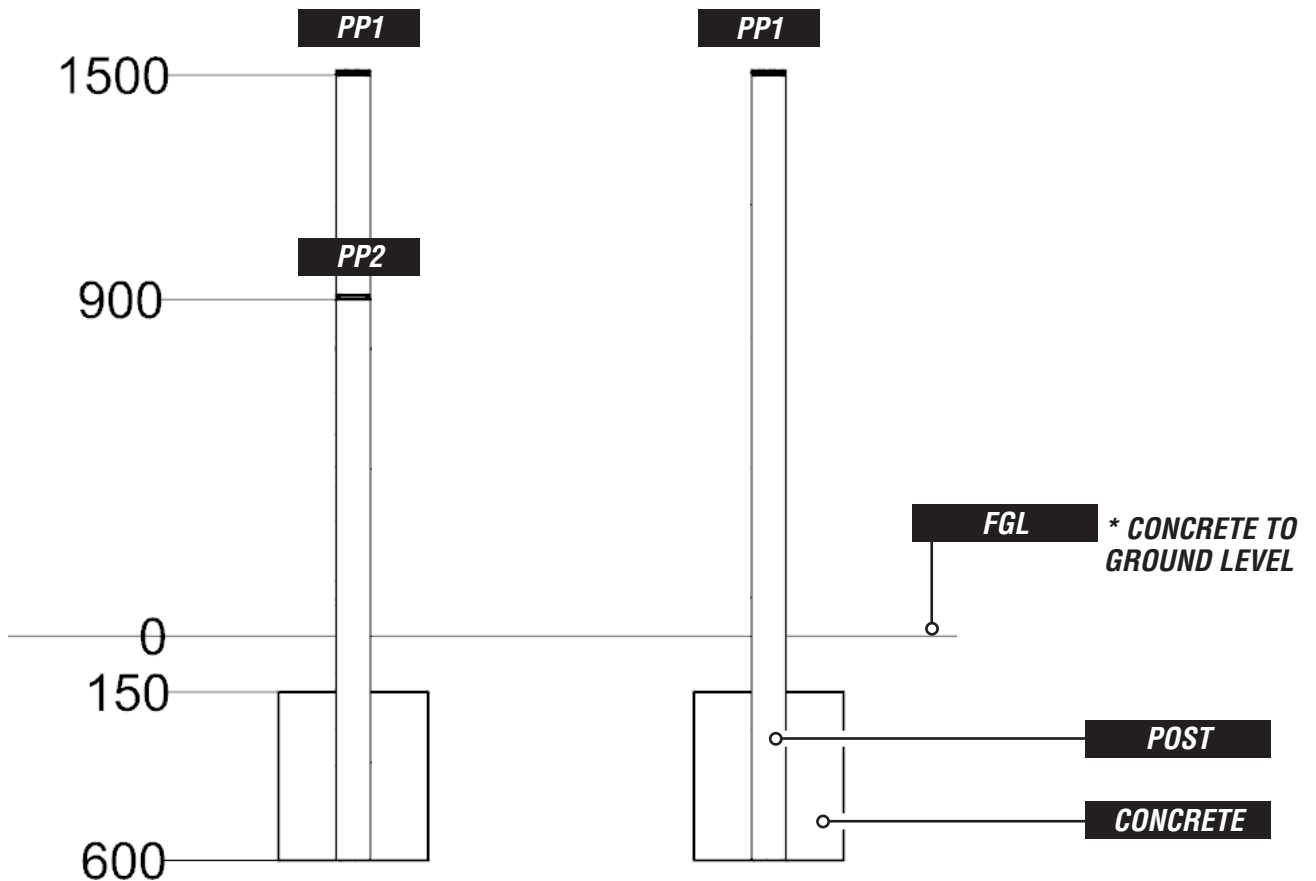
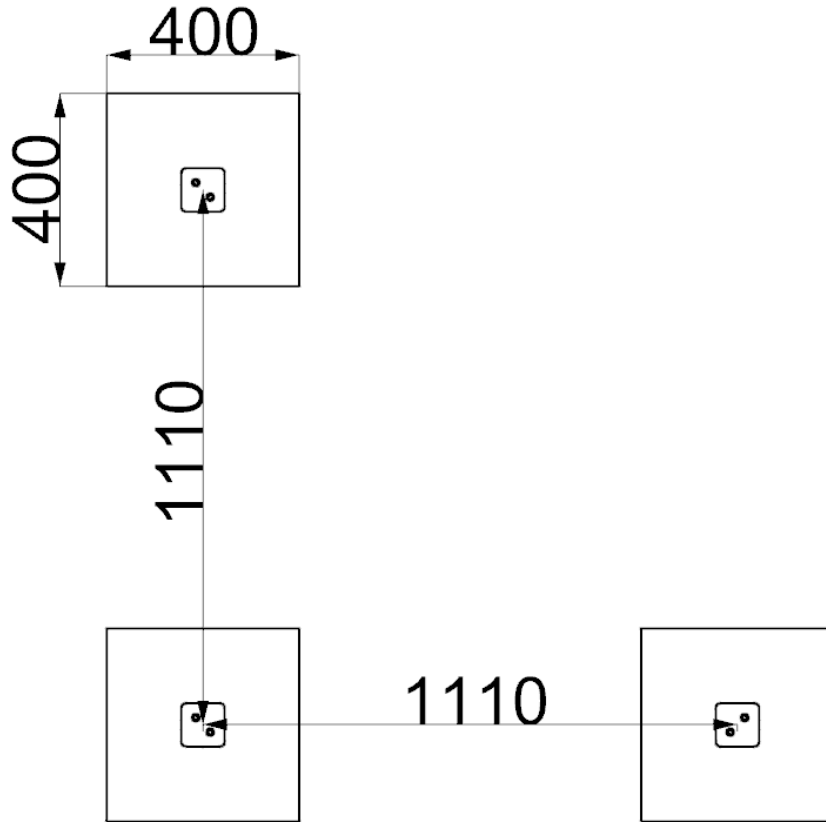
**LOOSE PART - WALKIE TALKIE**



x4 WITH SLEEVES

**M10X60MM SOCKET BUTTON BOLT**

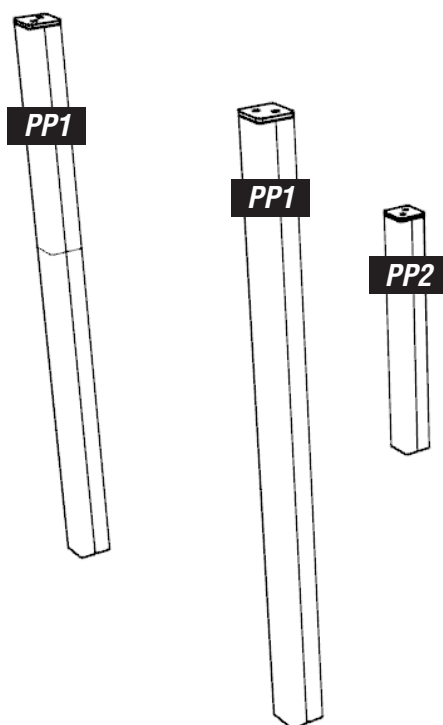
# FOUNDATIONS



# INSTALLATION INSTRUCTIONS

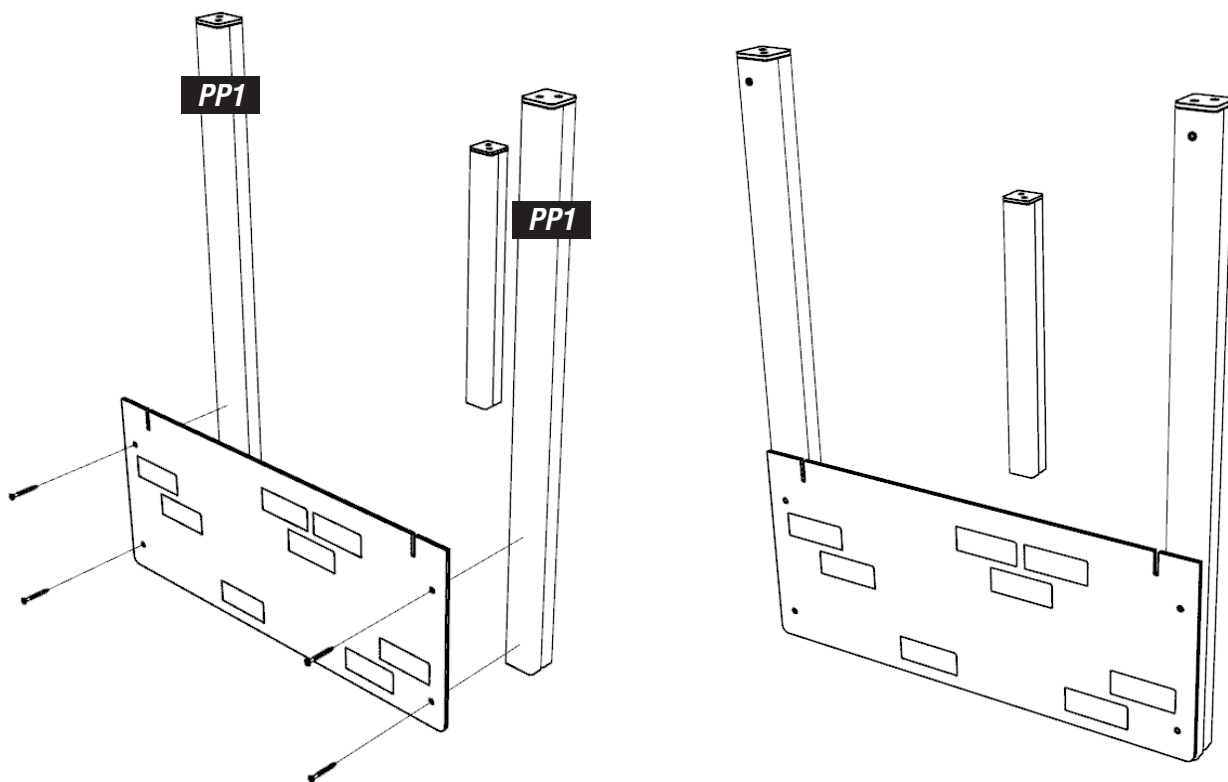
**1**

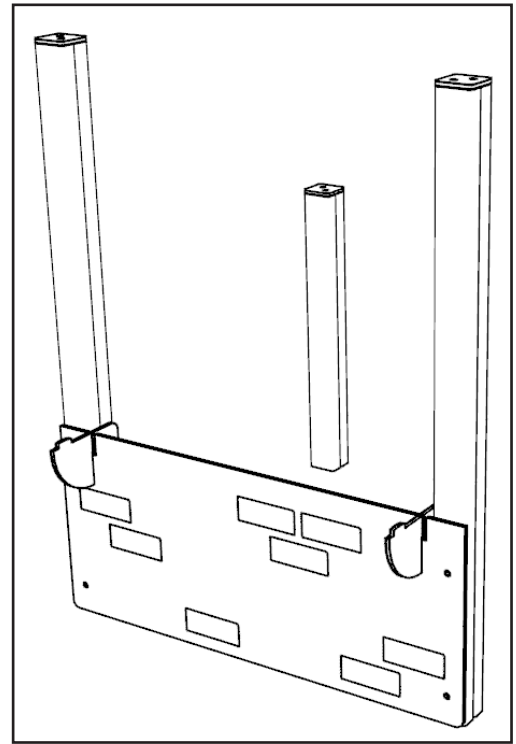
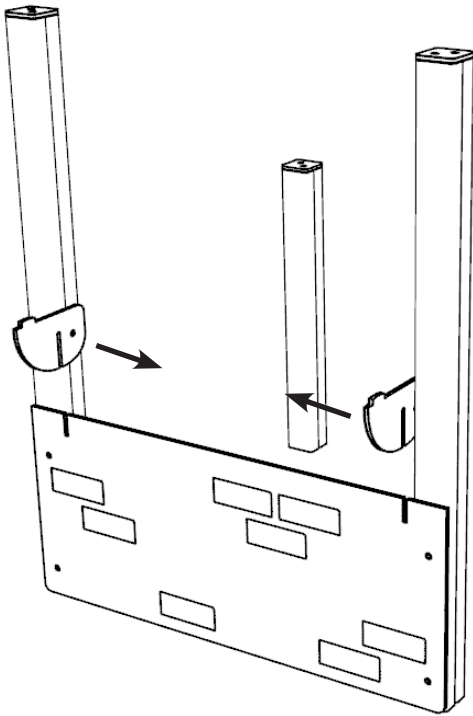
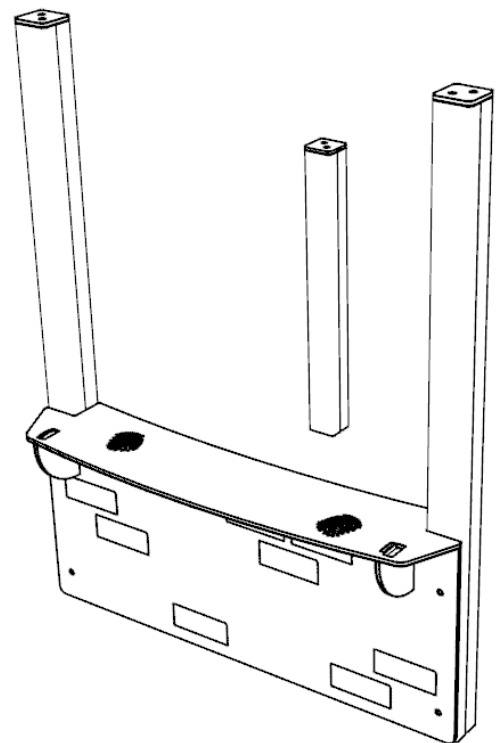
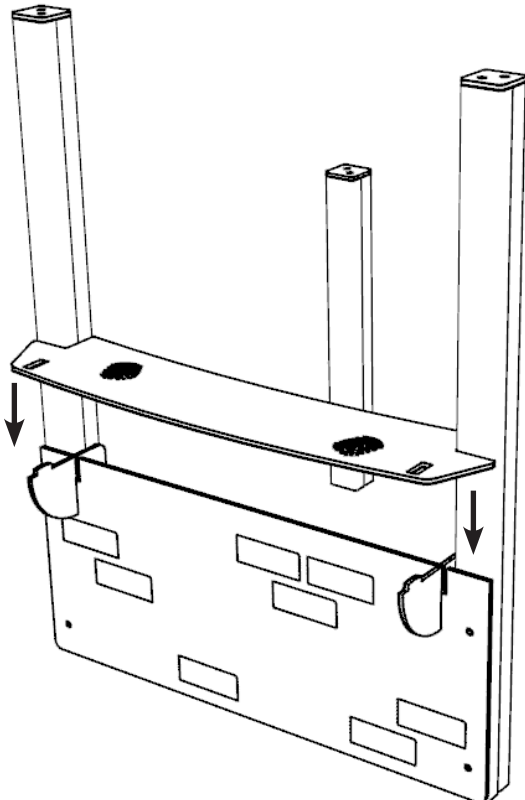
**INSTALL UPRIGHT TIMBERS  
ACCORDING TO GROUND PLAN**



**2**

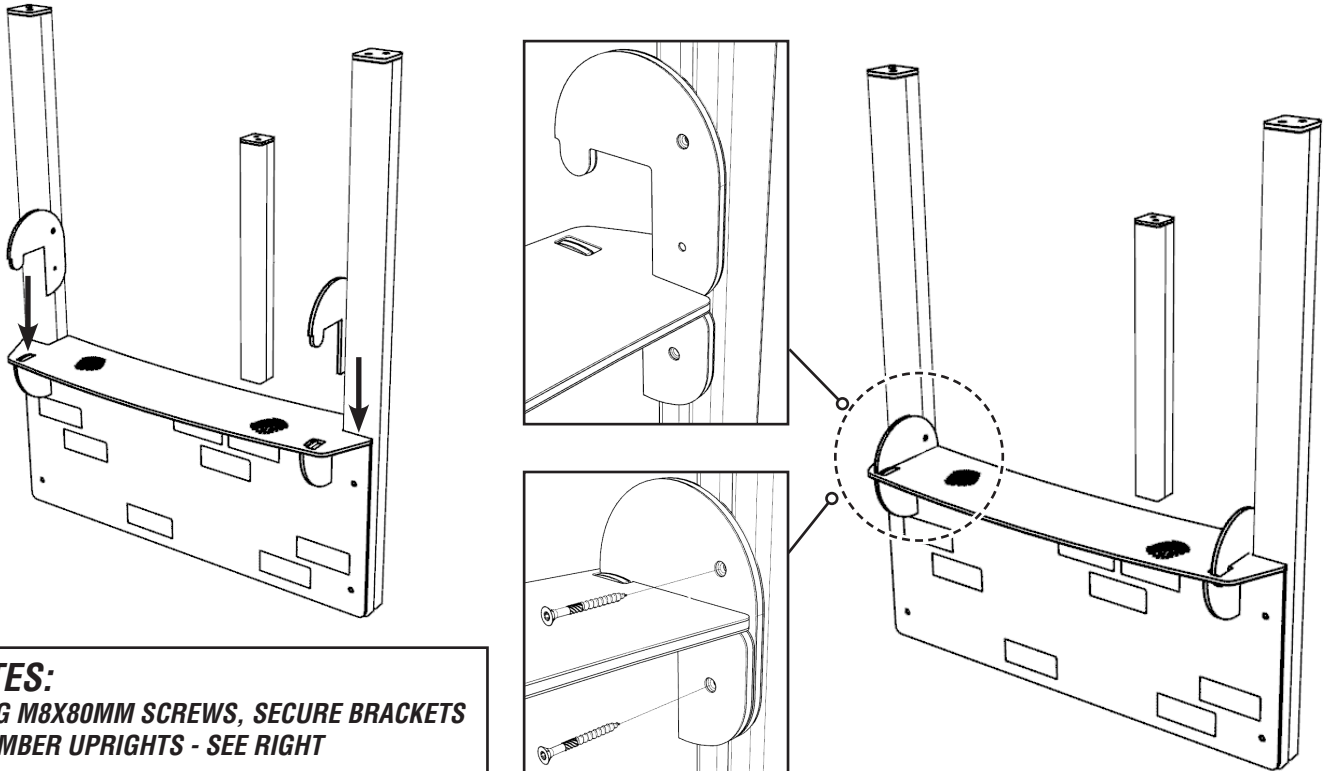
**ATTACH LOWER PLAYTEC TO PP1 TIMBERS  
USING 4X M8X80MM WOOD SCREWS**



**3****ATTACH SMALL BRACKETS TO LOWER PANEL***ENSURE COUNTERSINK FACE INWARDS (SEE ARROWS), DO NOT ATTACH WITH SCRES UNTIL STEP 5***4****ATTACH ENGRAVED PLAYTEC SHELF TO SMALL BRACKETS***! ENSURE ENGRAVED SIDE IS FACE UPWARDS !*

**5**

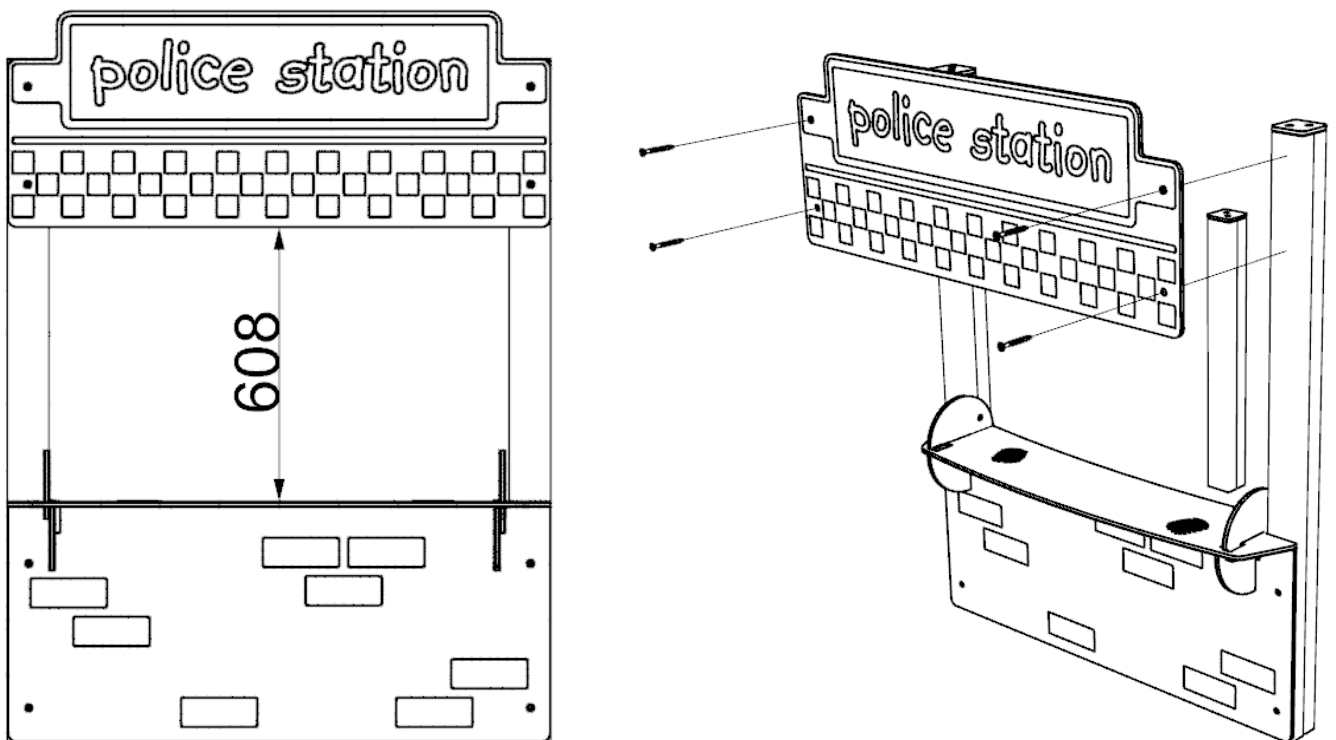
**ATTACH LARGE BRACKETS TO PP1 TIMBERS TO SECURE SHELF IN PLACE**  
 ENSURE COUNTERSINK FACE INWARDS (SEE ARROWS)



**NOTES:**  
 USING M8X80MM SCREWS, SECURE BRACKETS  
 TO TIMBER UPRIGHTS - SEE RIGHT

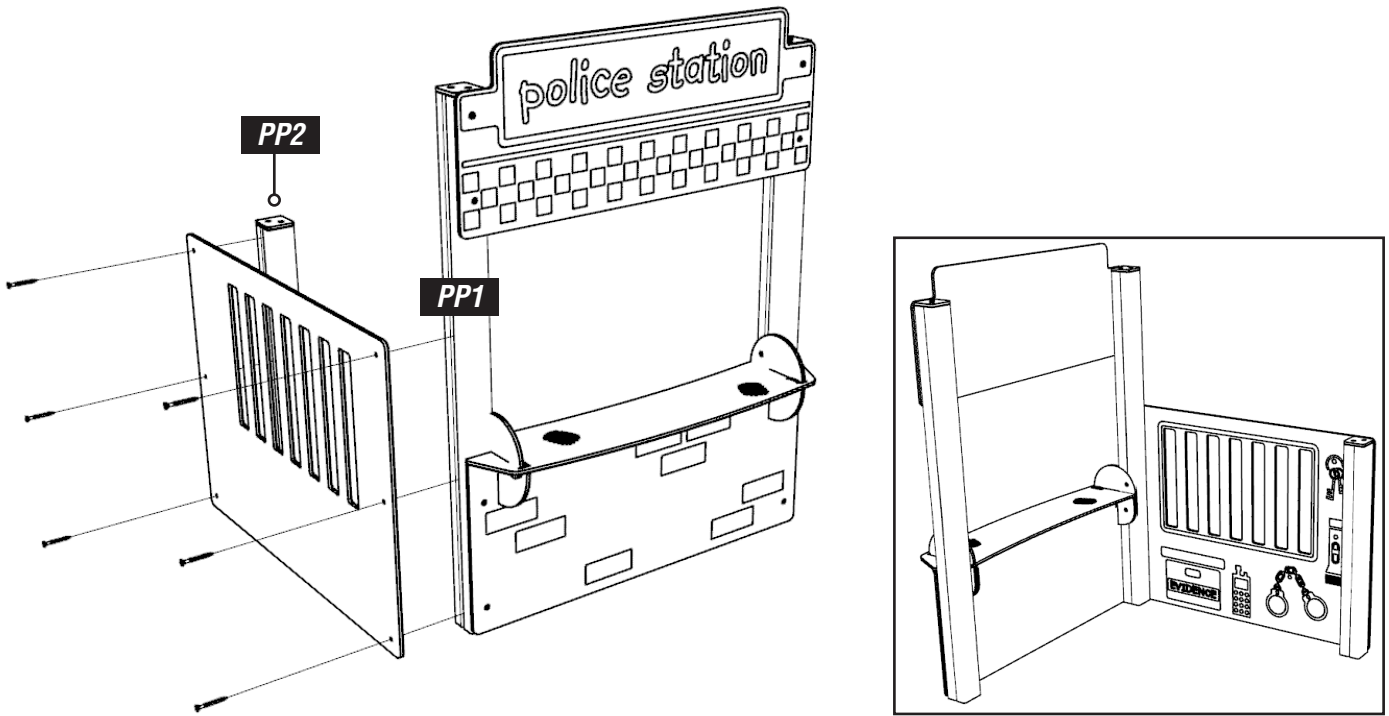
**6**

**ATTACH UPPER PANEL TO TOP OF PP1 UPRIGHTS**  
 USING M8X80MM WOOD SCREWS, ENSURE IT IS POSITIONED AT DIMENSIONS SHOWN

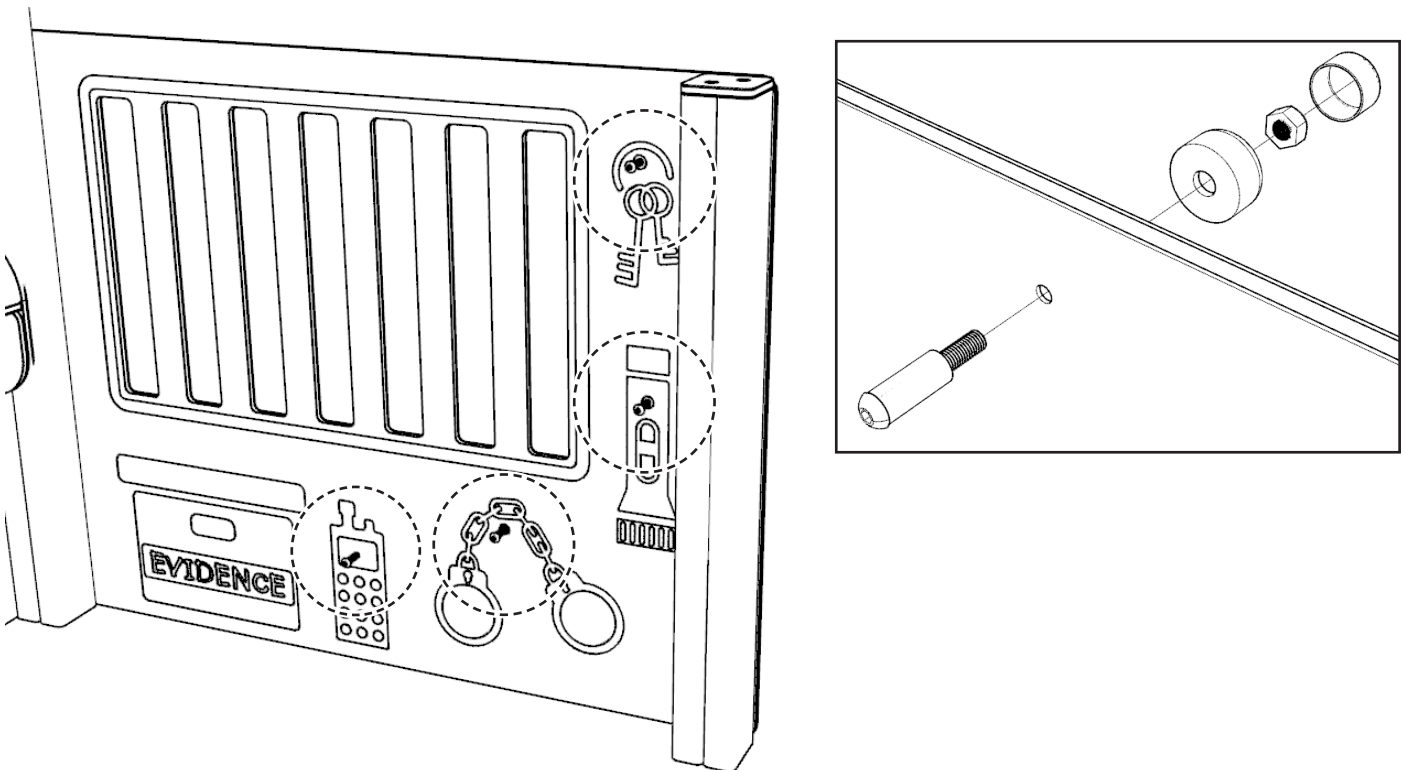


**7**

**ATTACH SIDE PANEL TO PP1 AND PP2 TIMBERS SHOWN  
USING M8X80MM WOOD SCREWS**

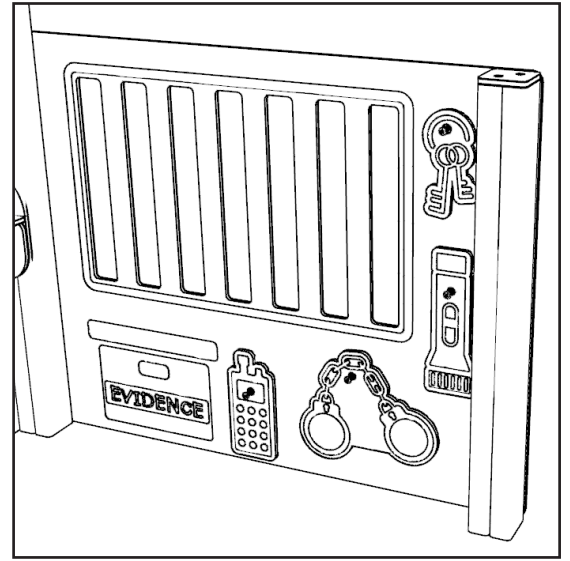
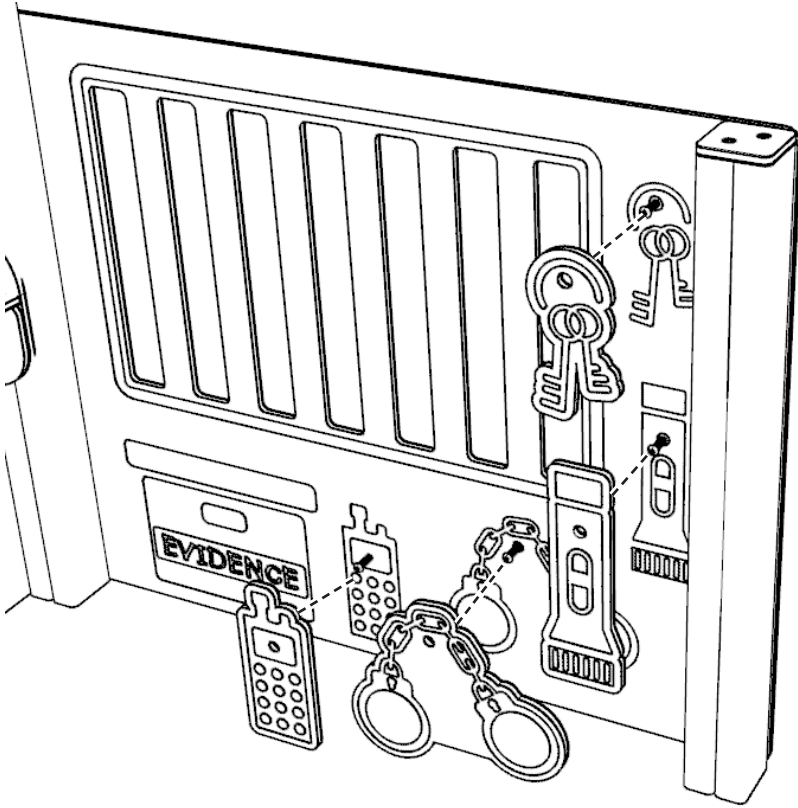
**8**

**ATTACH LOOSE PART "PEGS" TO SIDE PANEL IN LOCATIONS SHOWN  
USING M10X60MM SOCKET BUTTON BOLT WTH SLEEVE / M10 NUT / 102003-01**



**9**

**HOOK LOOSE PARTS TO PEGS IN CORRECT LOCATIONS**





# ***ADDITIONAL DIMENSIONS***

