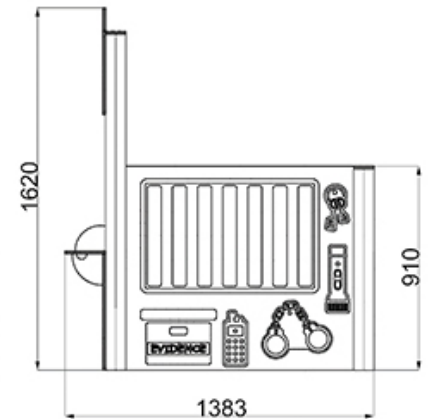
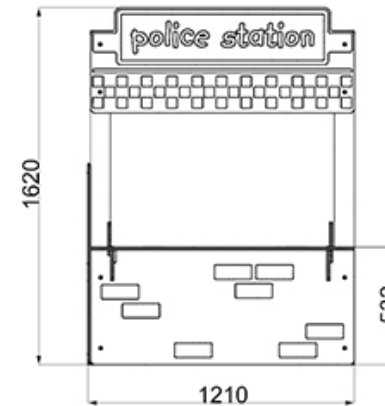
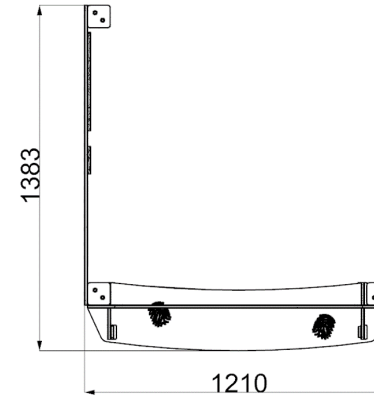
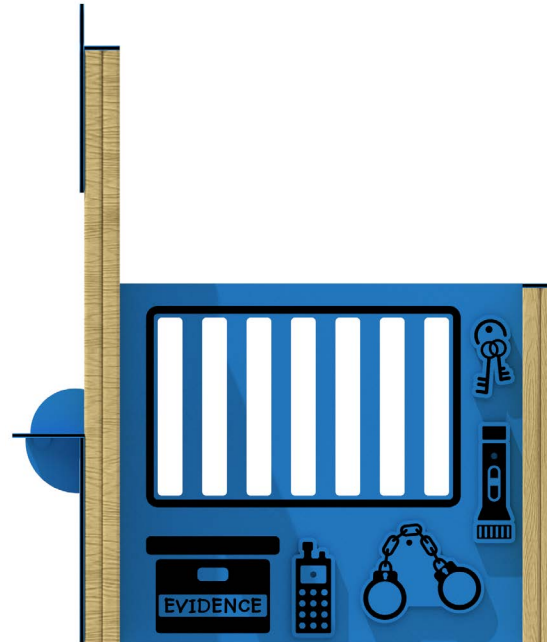


POLICE PLAYTOWN PANEL

creative
play

PP104



**Measurements in millimetres*

PRODUCT INFORMATION

PRODUCT CODE **PP104**

DIMENSIONS LXWXH **1.83M X 1.21M X 1.65M**

AGE RANGE **3+**

SPARE PART AVAILABILITY **2-4 WEEKS**

TECHNICAL INFORMATION


FREE FALL HEIGHT **N/A**

MINIMUM AREA **N/A**

MIN. SURFACING AREA **N/A**

STANDARDS COMPLIANCE **BSEN1176**

DOWNLOADS

PRODUCT WEBPAGE 

MAINTENANCE INFORMATION 

**Information correct at time of creation*