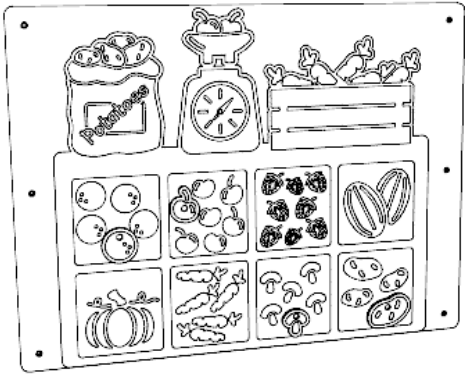


# PP103 - MARKET PLAYTOWN PANEL

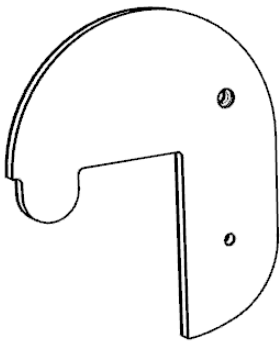
## Installation Instructions



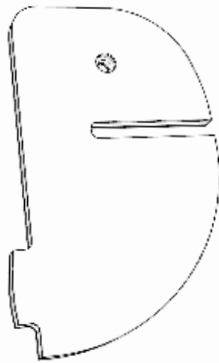
**x1**  
**UPPER PANEL**



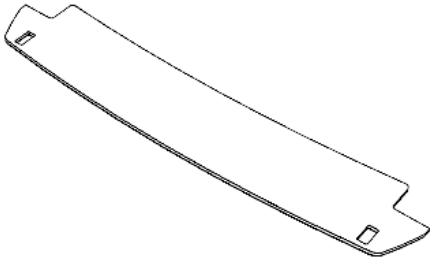
**x1**  
**SIDE PANEL**



**x2**  
**LARGE BRACKETS**

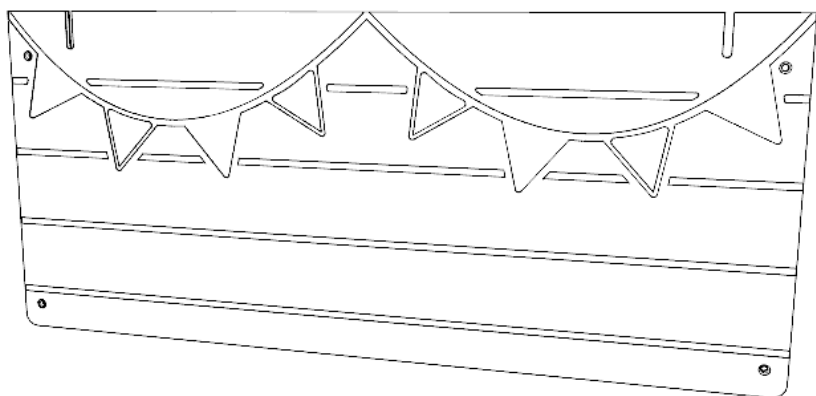


**x2**  
**SMALL BRACKETS**



**x1**  
**ENGRAVED PLAYTEC SHELF**

# PARTS REQUIRED



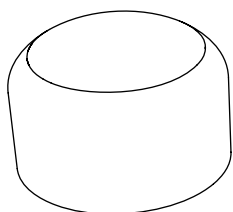
x1

**LOWER PLAYTEC PANEL**



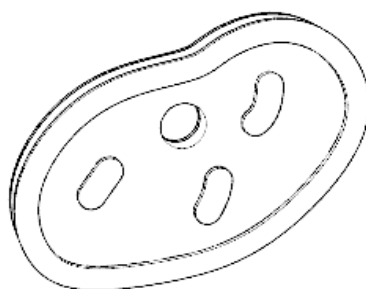
x4

**656.M8**



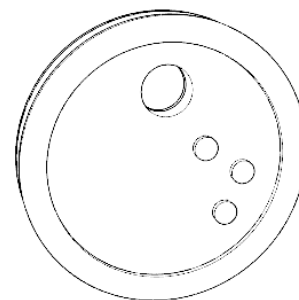
x4

**102003-01**



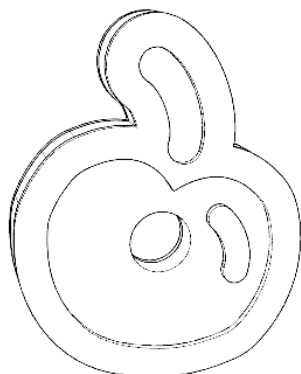
x1

**LOOSE PART - POTATOE**



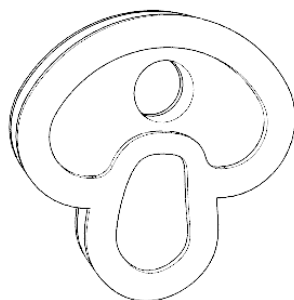
x1

**LOOSE PART - ORANGE**



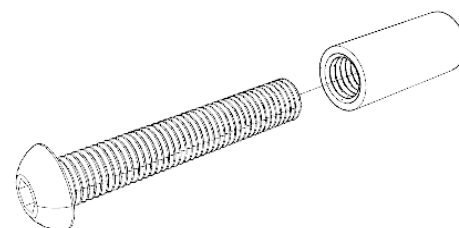
x1

**LOOSE PART - APPLE**



x1

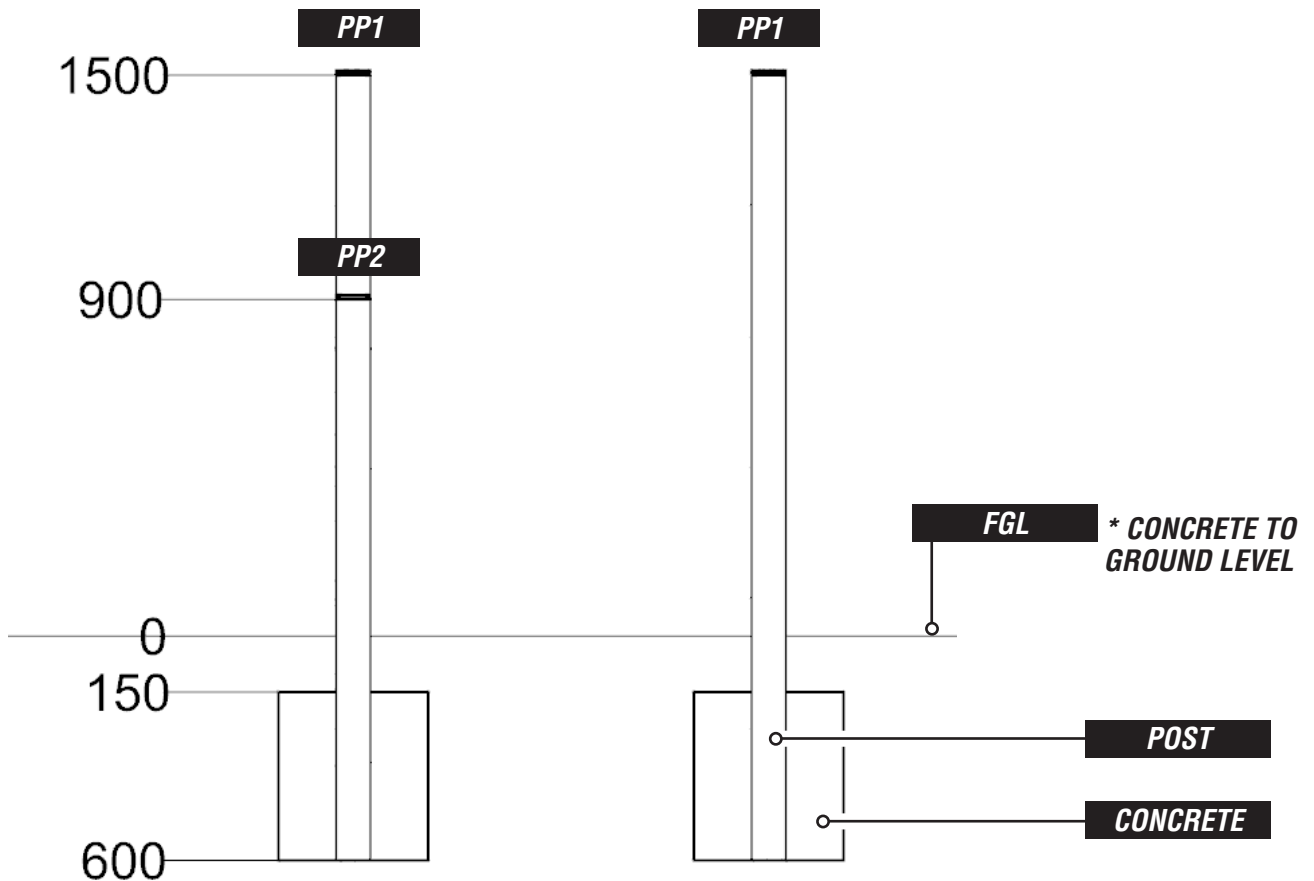
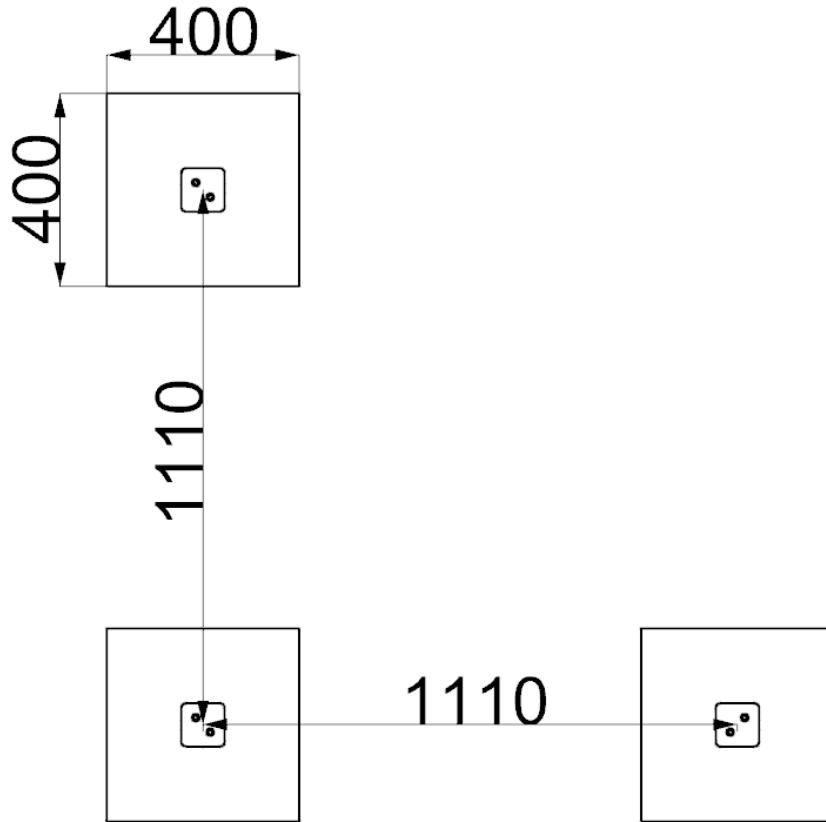
**LOOSE PART - MUSHROOM**



x4 WITH SLEEVES

**M8X60MM SOCKET BUTTON BOLT**

# FOUNDATIONS

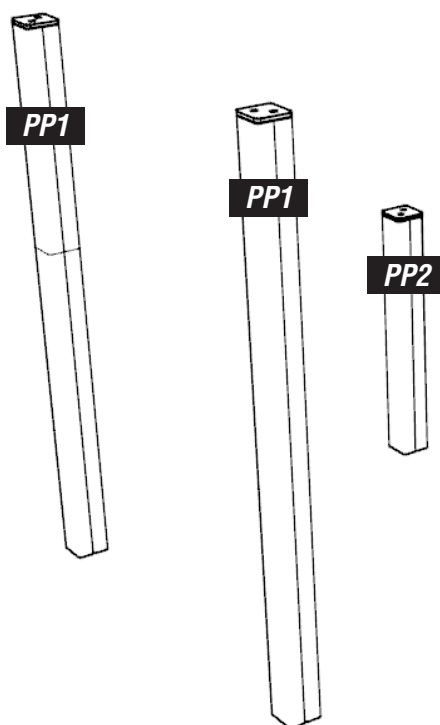


# INSTALLATION INSTRUCTIONS

**1**

## INSTALL UPRIGHT TIMBERS

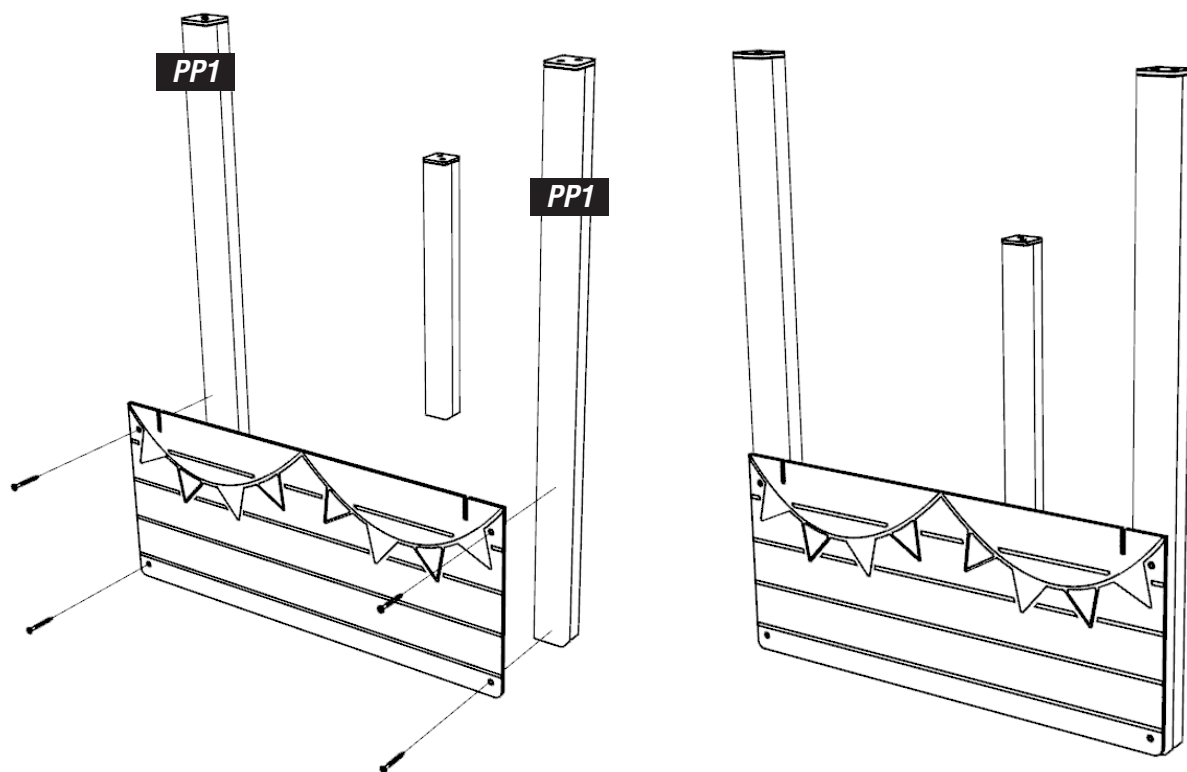
ACCORDING TO GROUND PLAN



**2**

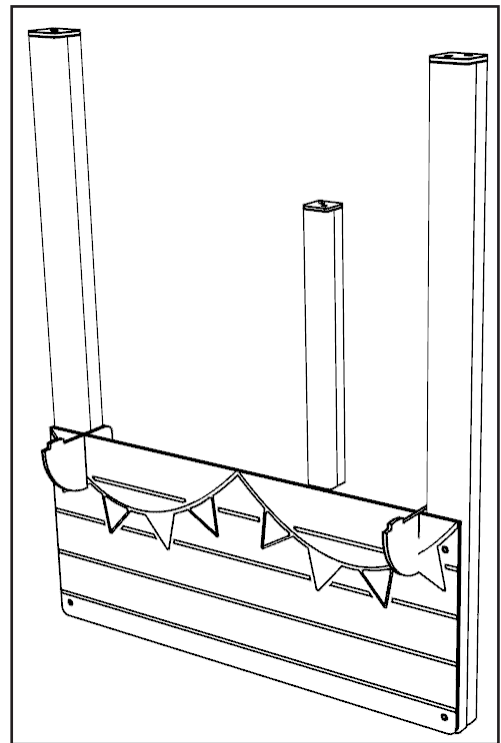
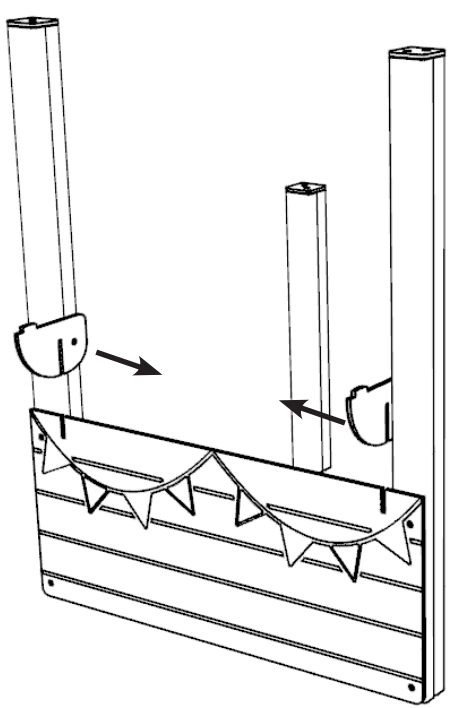
## ATTACH LOWER PLAYTEC TO PP1 TIMBERS

USING 4X M8X80MM WOOD SCREWS



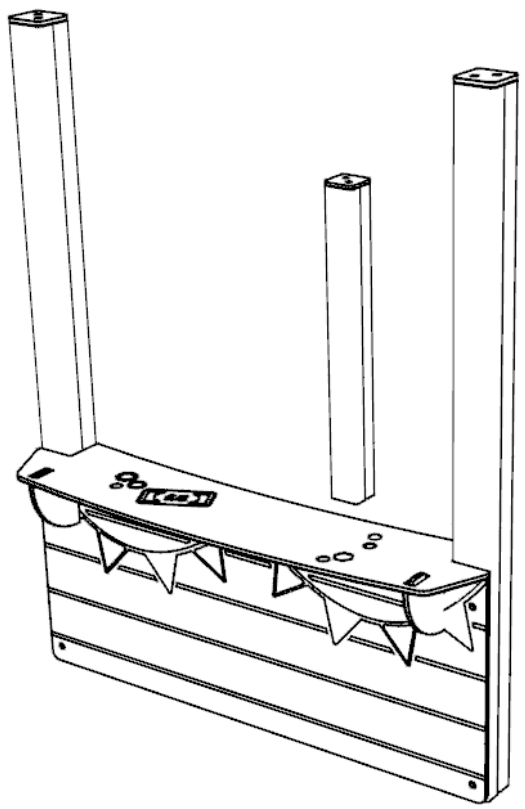
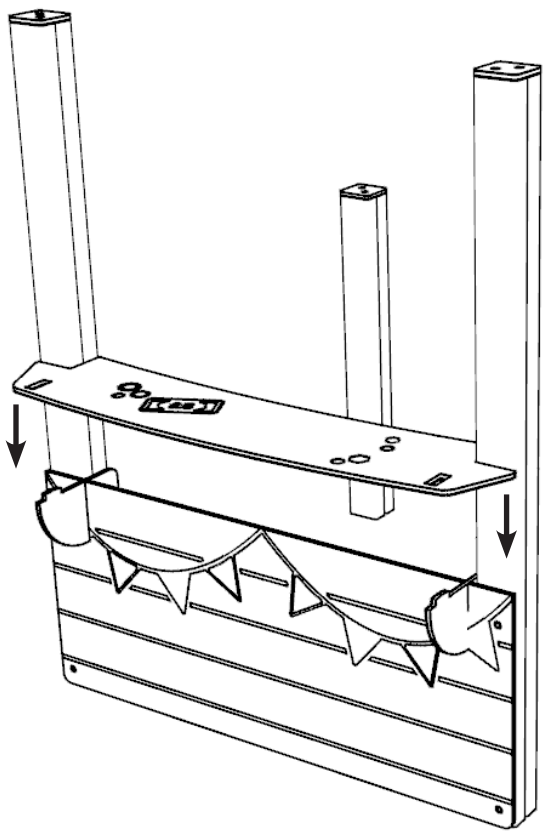
**3 ATTACH SMALL BRACKETS TO LOWER PANEL**

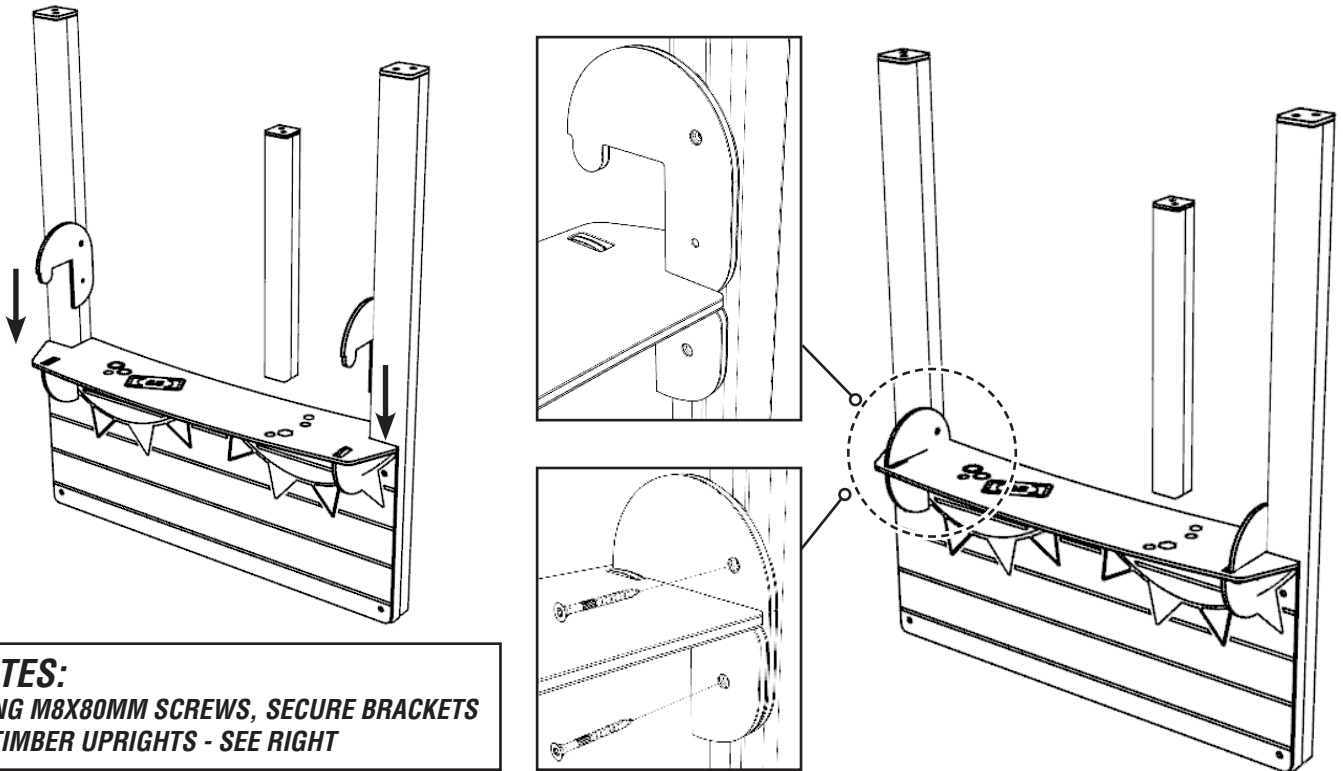
ENSURE COUNTERSINK FACE INWARDS (SEE ARROWS), DO NOT ATTACH WITH SCRES UNTIL STEP 5



**4 ATTACH ENGRAVED PLAYTEC SHELF TO SMALL BRACKETS**

! ENSURE ENGRAVED SIDE IS FACE UPWARDS !

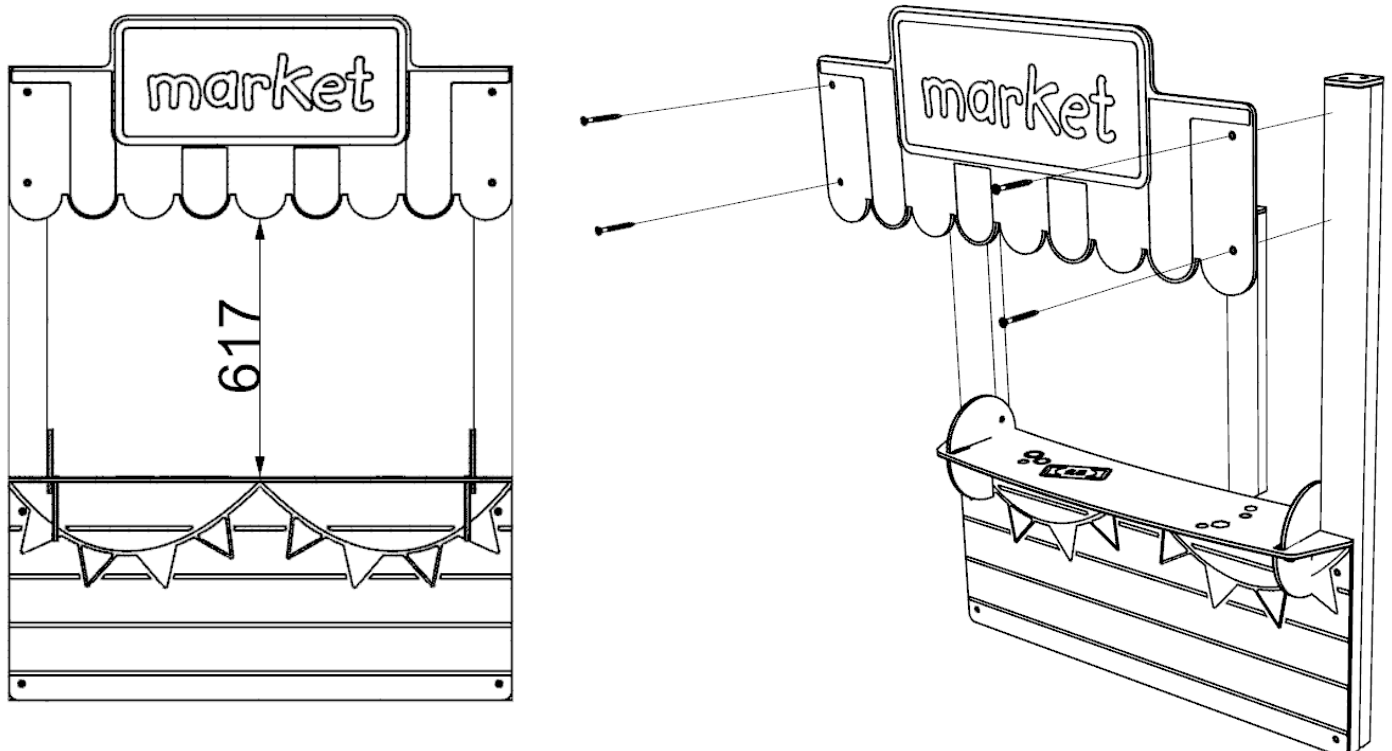


**5****ATTACH LARGE BRACKETS TO PP1 TIMBERS TO SECURE SHELF IN PLACE**  
ENSURE COUNTERSINK FACE INWARDS (SEE ARROWS)**NOTES:**

USING M8X80MM SCREWS, SECURE BRACKETS TO TIMBER UPRIGHTS - SEE RIGHT

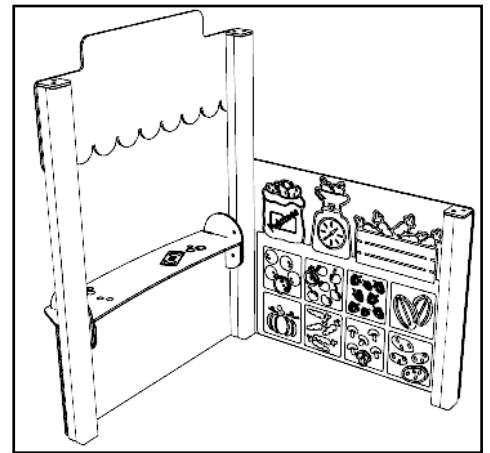
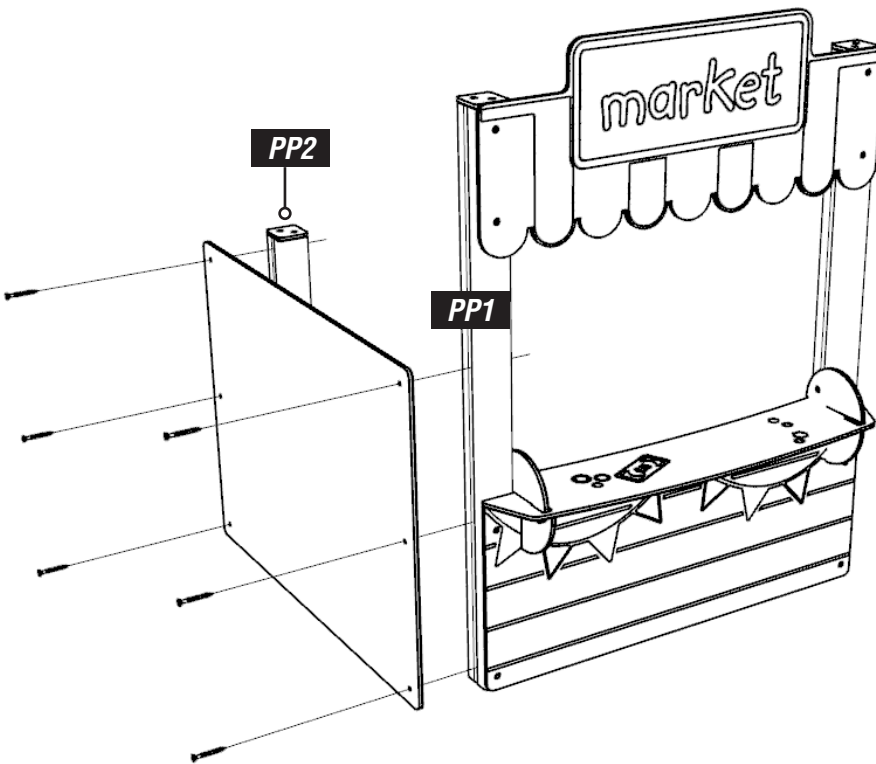
**6****ATTACH UPPER PANEL TO TOP OF PP1 UPRIGHTS**

USING M8X80MM WOOD SCREWS, ENSURE IT IS POSITIONED AT DIMENSIONS SHOWN

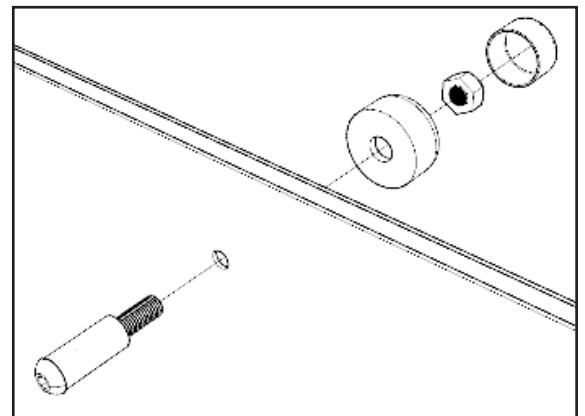
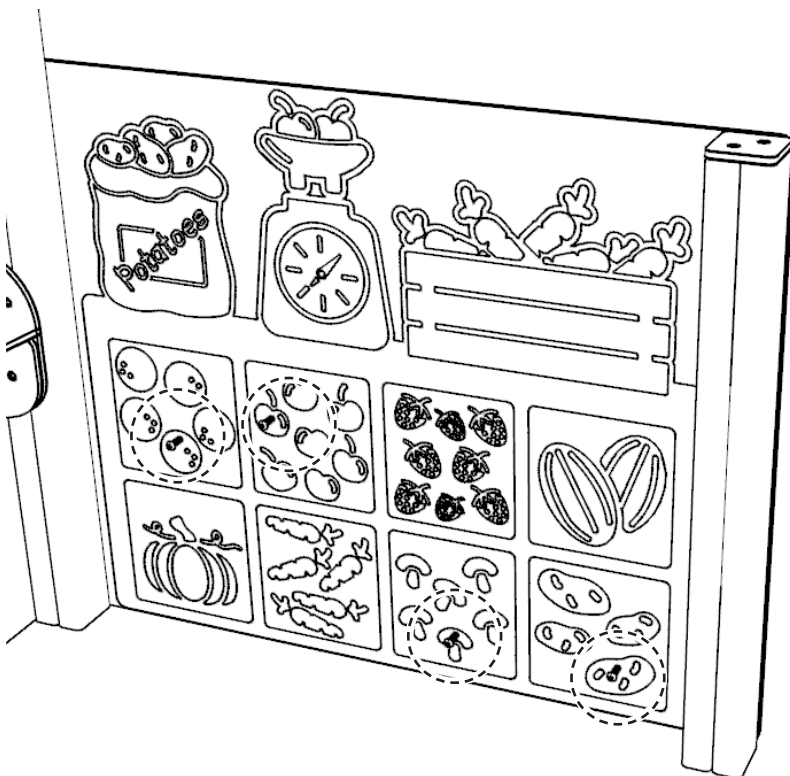


**7**

**ATTACH SIDE PANEL TO PP1 AND PP2 TIMBERS SHOWN  
USING M8X80MM WOOD SCREWS**

**8**

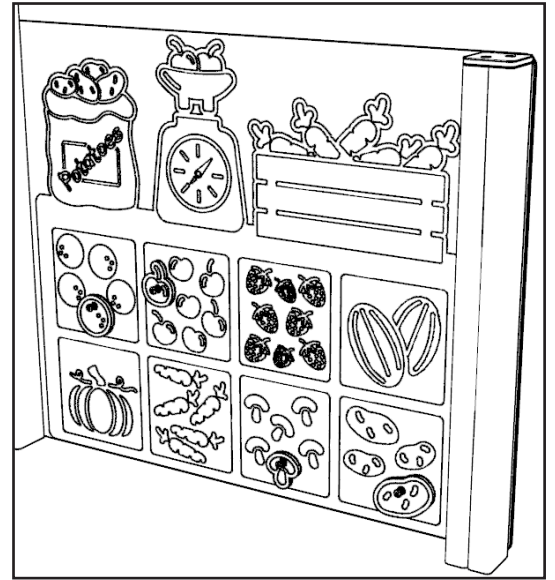
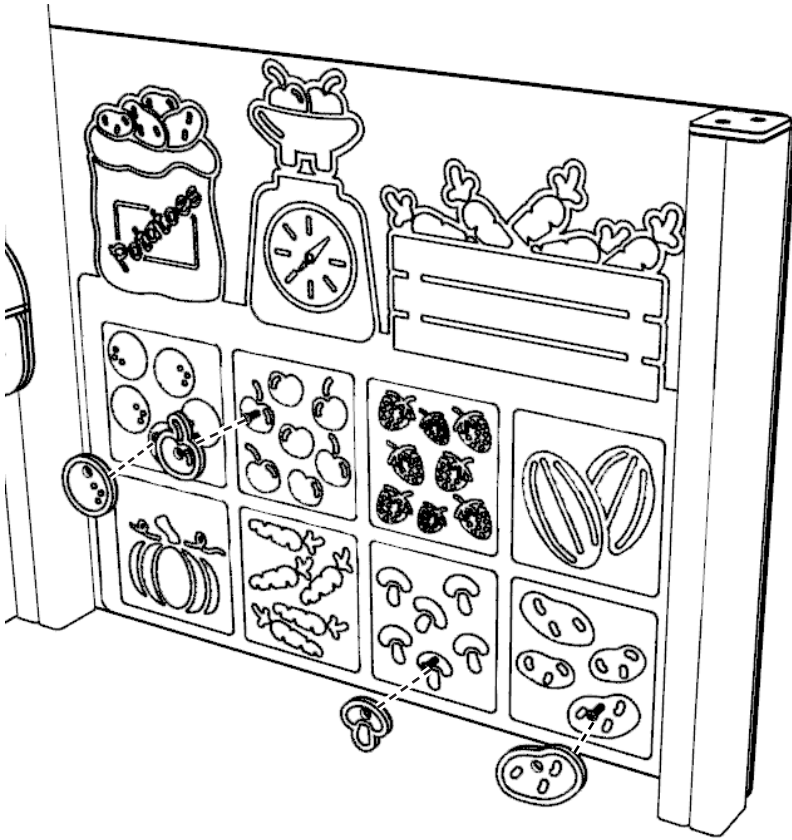
**ATTACH LOOSE PART "PEGS" TO SIDE PANEL IN LOCATIONS SHOWN  
USING M8X60MM SOCKET BUTTON BOLT WITH SLEEVE / 656.M8 / 102003-01**





**9**

**HOOK LOOSE PARTS TO PEGS IN CORRECT LOCATIONS**





# ADDITIONAL DIMENSIONS

